

1

2

3

4

CHANGES REV01 to REV02

- 1) MAC EEPROM Address patch fixed on PCB
- 2) lib components update

A

A

B

B


C

C

D

D

Assembly variant	92111-A
Created by	VY
Modified by	VY
Modified at	2019-07-08
SVN Version	8496

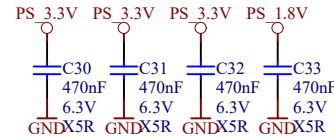
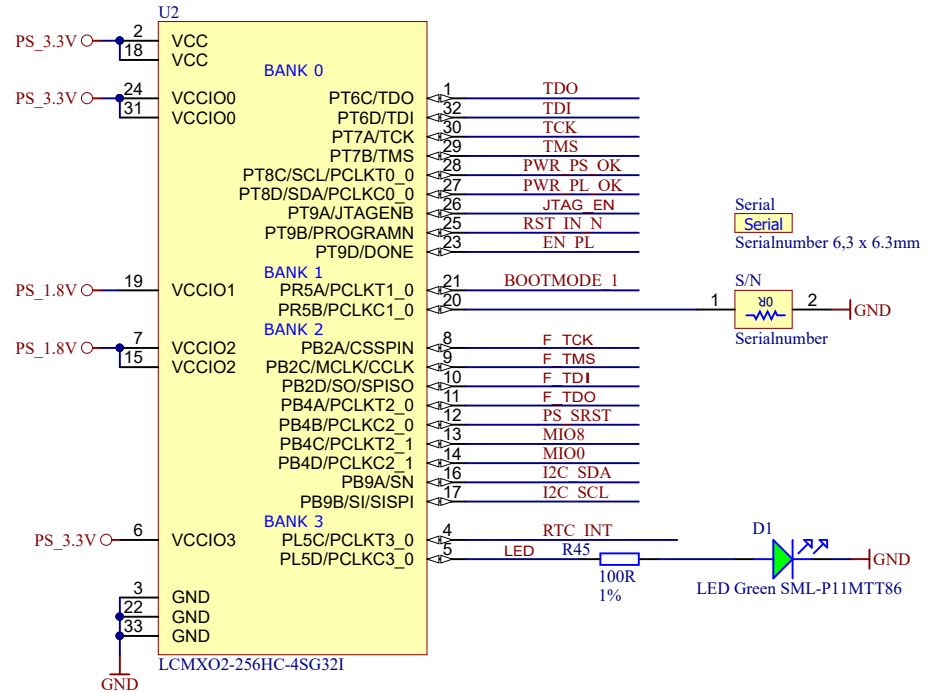
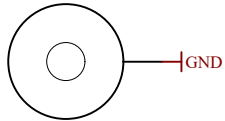
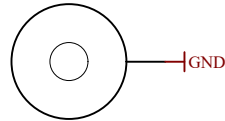
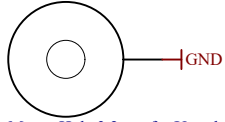
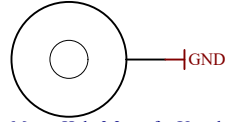
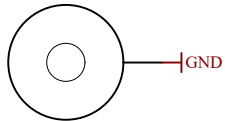
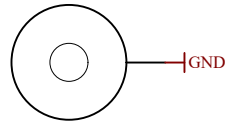
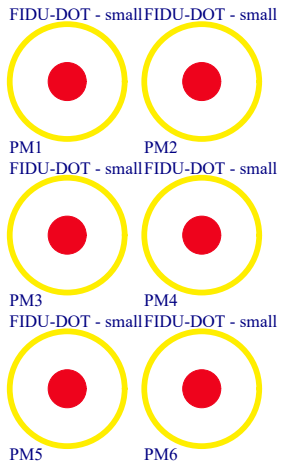
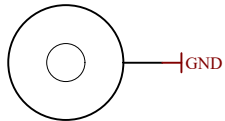
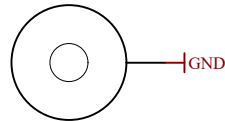
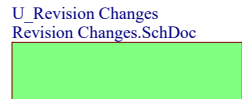
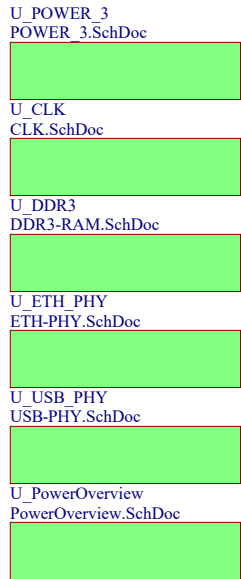
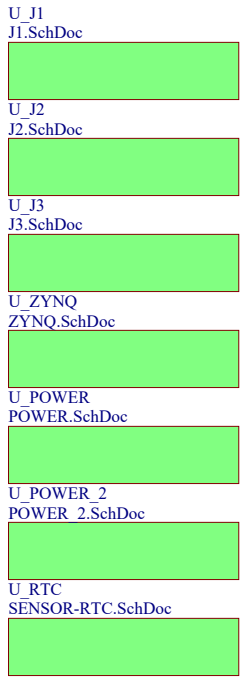
	Title: TE0745		
	A4	Number: 1 92111-A	Rev. 02
	Date: 2016-04-28	Copyright: Trenz Electronic GmbH / TT	Page1 of 25
	Filename: Revision Changes.SchDoc		

1

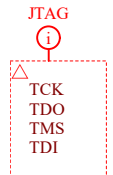
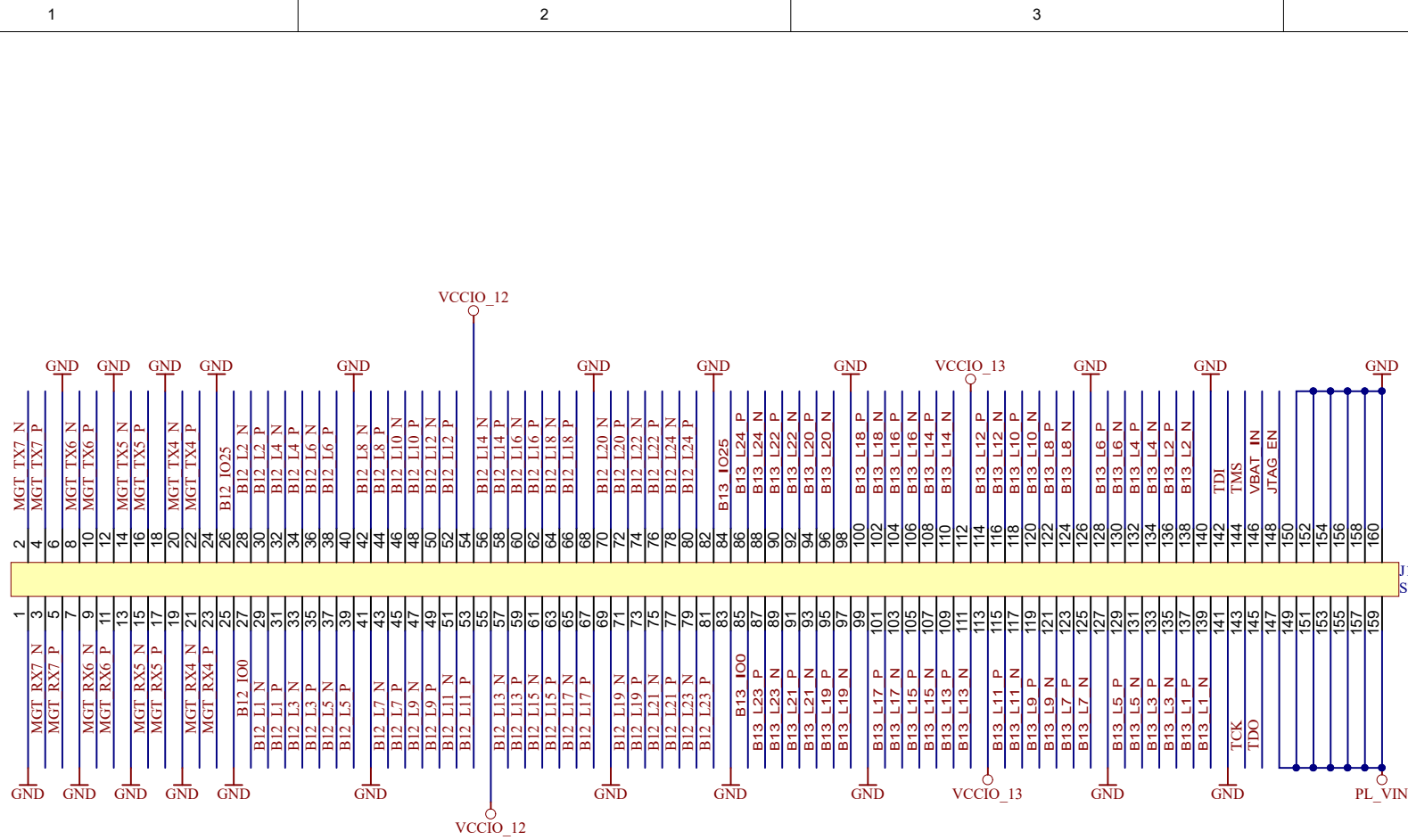
2


3

4



	Title: TE0745	
	A4	Number: 2 92111-A
	Date: 2016-04-28	Rev. 02
	Copyright: Trenz Electronic GmbH / TT	Page2 of 25
Filename: TE0745.SchDoc		

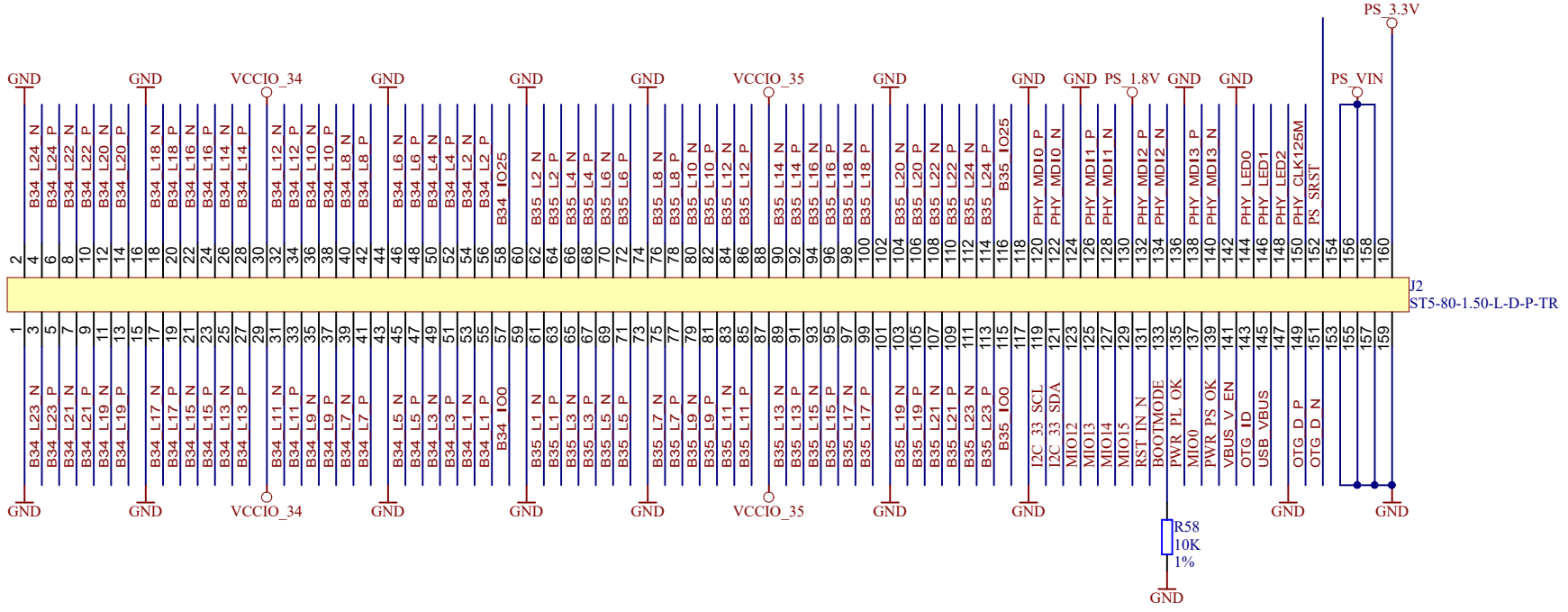


		Title: TE0745 - B2B connectors J1	
		A4	Number: 3 92I11-A
Date: 2016-04-28		Copyright: Trenz Electronic GmbH / TT	
Filename: J1.SchDoc		Page3 of 25	

ETH_MDI

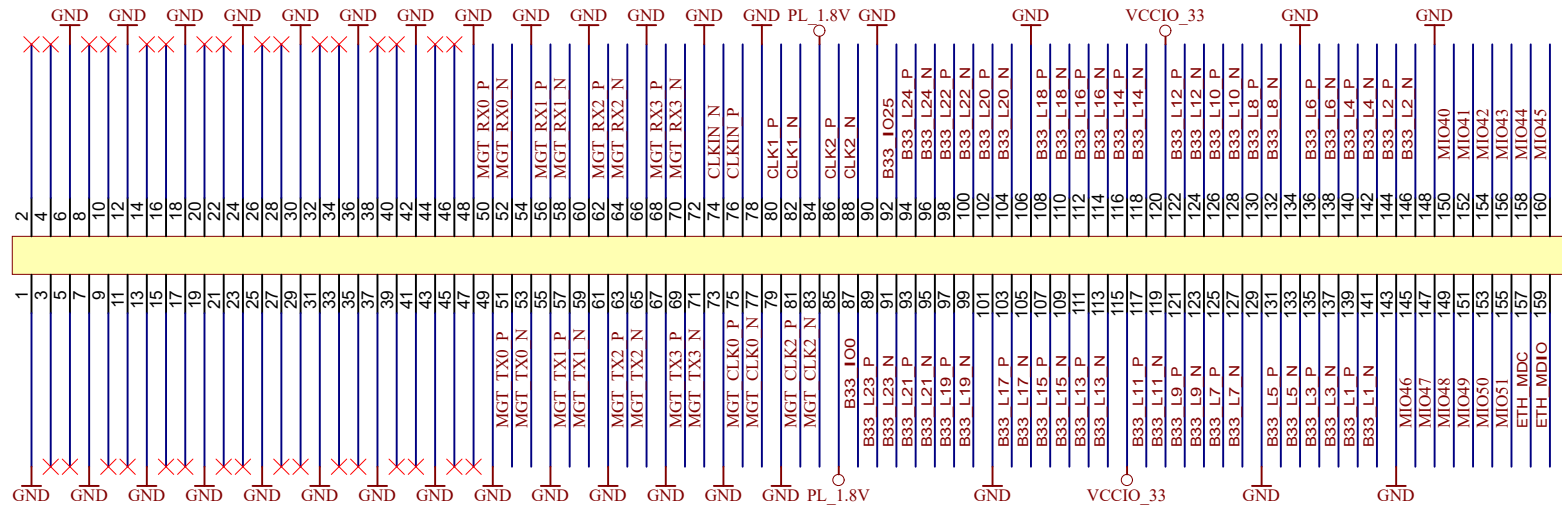
1

- PHY_MDI1_P
- PHY_MDI1_N
- PHY_MDI3_P
- PHY_MDI3_N
- PHY_MDI0_P
- PHY_MDI0_N
- PHY_MDI2_P
- PHY_MDI2_N



Title: TE0745 - B2B connectors J2		
A4	Number: 4 92I11-A	Rev. 02
Date: 2016-04-28	Copyright: Trenz Electronic GmbH / TT	Page4 of 25
Filename: J2.SchDoc		

RESERVED for additional 8 GTX lanes



J3
ST5-80-1.50-L-D-P-TR



Title: TE0745 - B2B connectors J3		
A4	Number: 5 92111-A	Rev. 02
Date: 2016-04-28	Copyright: Trenz Electronic GmbH / TT	Page5 of 25
Filename: J3.SchDoc		

1

2

3

4

U_B12
B12.SchDoc



U_B500
MIO_B500.SchDoc



U_B13
B13.SchDoc



U_PS_DDR
PS-DDR.SchDoc



U_B33
B33.SchDoc



U_MISC
ZYNQ_MISC.SchDoc



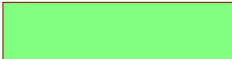
U_B34
B34.SchDoc



U_ZYNQ_POWER
ZYNQ_POWER.SchDoc



U_B35
B35.SchDoc



U_FPGA_MGT
FPGA_MGT.SchDoc



A

A

B

B

C

C

D


D

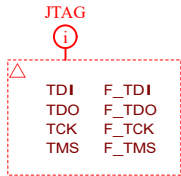
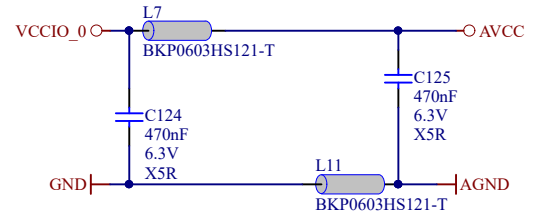
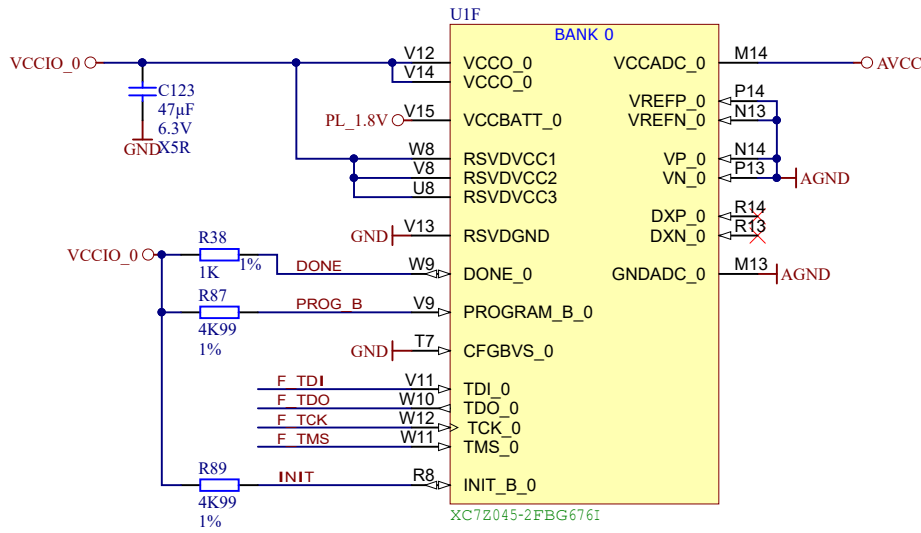
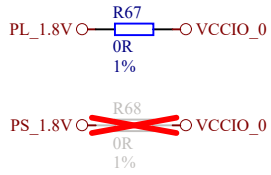
1

2

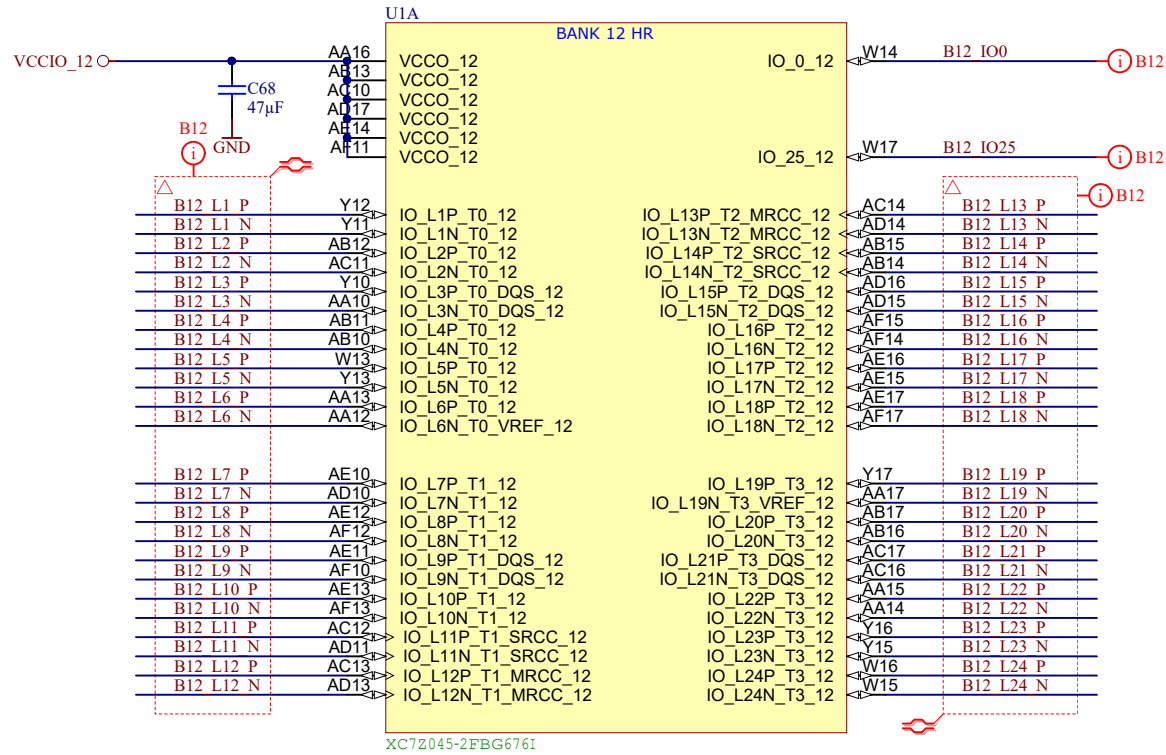
3

4

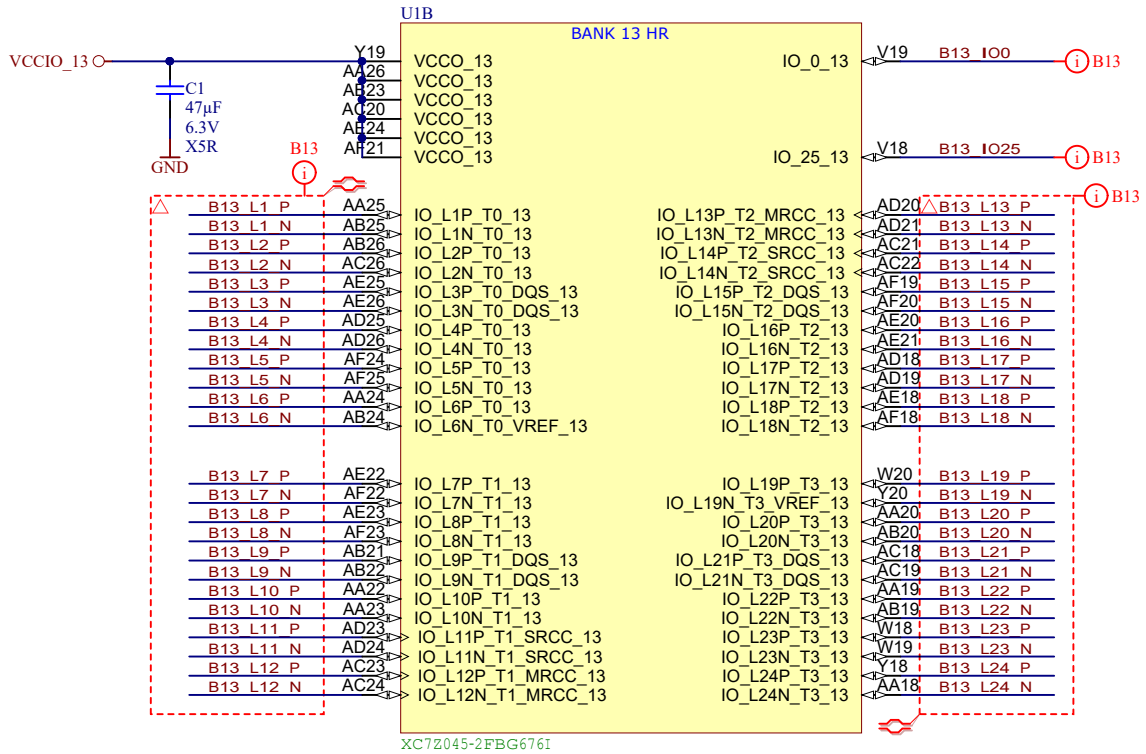
			Title: TE0745 - Zynq		
			A4	Number: 6 92I11-A	Rev. 02
Date: 2016-04-28		Copyright: Trenz Electronic GmbH / TT		Page6 of 25	
Filename: ZYNQ.SchDoc					



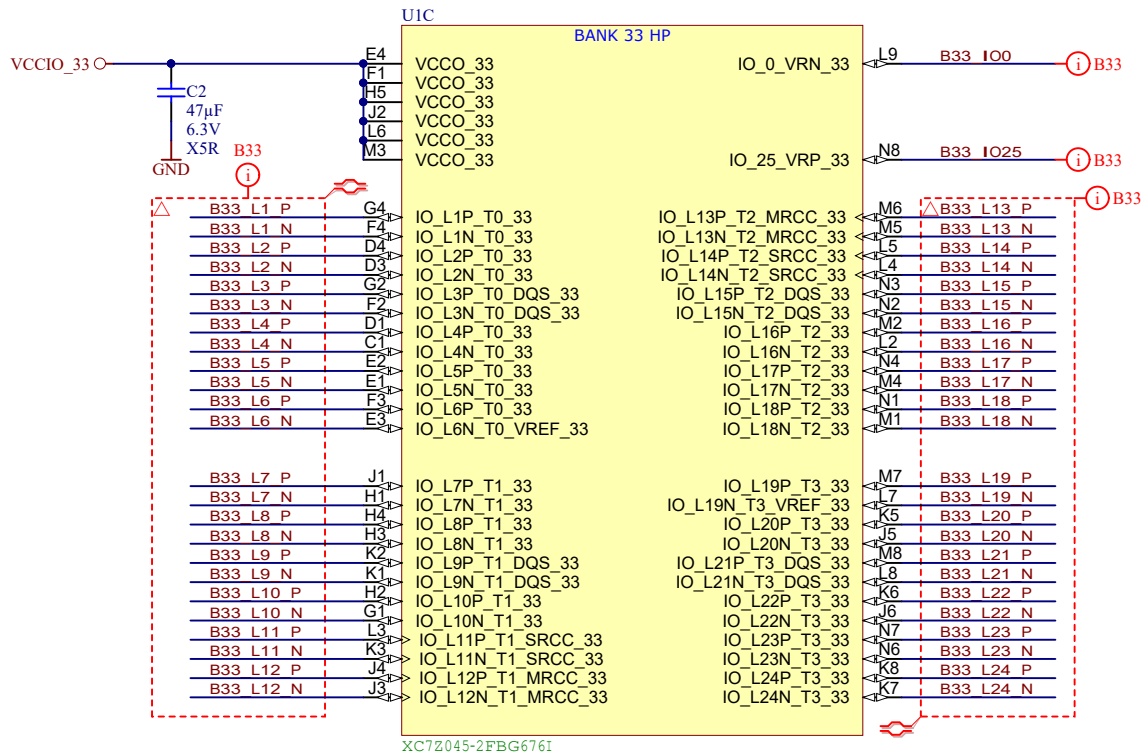
Title: TE0745 - Zynq_MISC		
A4	Number: 7 92I11-A	Rev. 02
Date: 2016-04-28	Copyright: Trenz Electronic GmbH / TT	Page 7 of 25
Filename: ZYNQ_MISC.SchDoc		



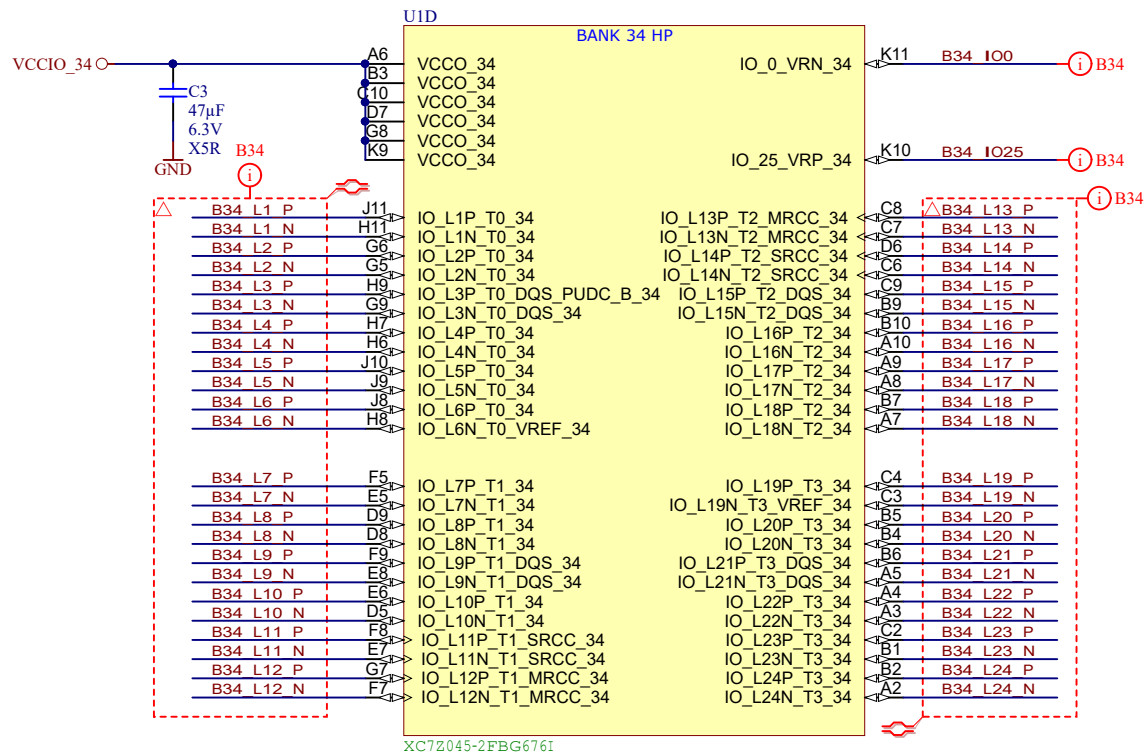
Title: TE0745 - Zynq_B12		
A4	Number: 8 92I11-A	Rev. 02
Date: 2016-04-28	Copyright: Trenz Electronic GmbH / TT	Page 8 of 25
Filename: B12.SchDoc		



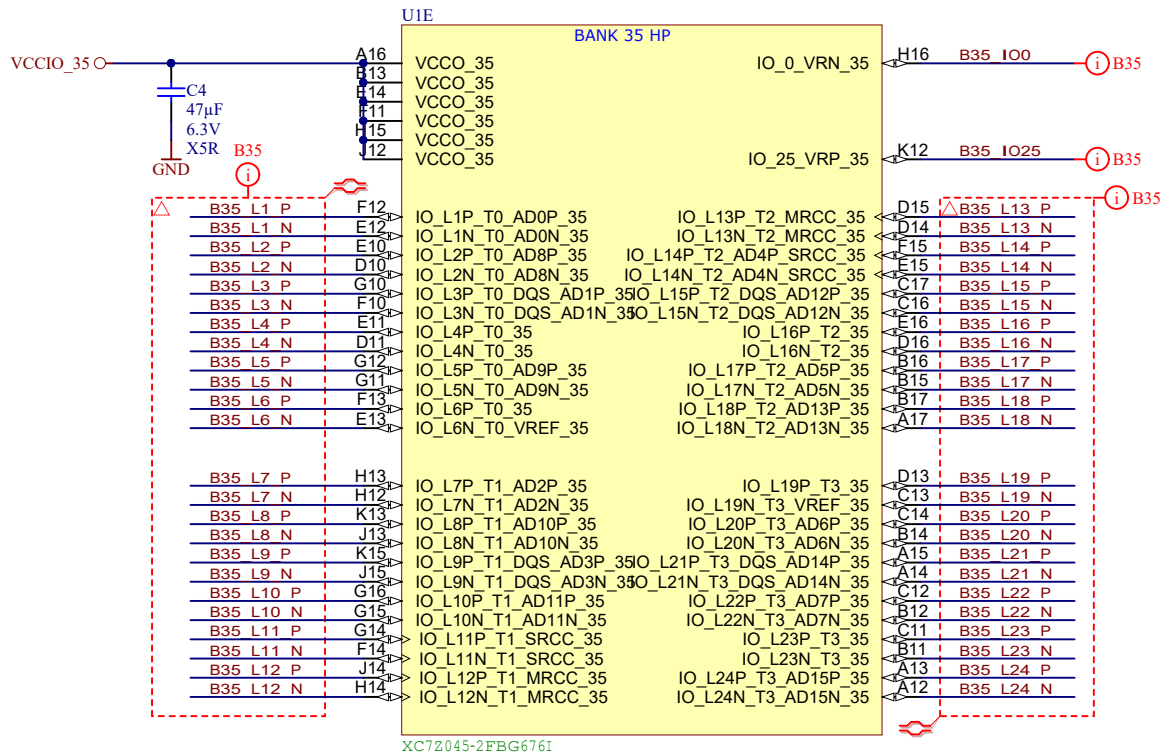
Title: TE0745 - Zynq_B13		
A4	Number: 9 92I11-A	Rev. 02
Date: 2016-04-28	Copyright: Trenz Electronic GmbH / TT	Page9 of 25
Filename: B13.SchDoc		




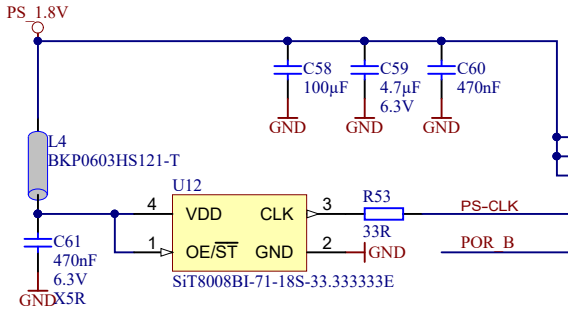
Title: TE0745 - Zynq_B33		
A4	Number: 10 92111-A	Rev. 02
Date: 2016-04-28	Copyright: Trenz Electronic GmbH / TT	Page10 of 25
Filename: B33.SchDoc		



Title: TE0745 - Zynq_B34		
A4	Number: 11 92111-A	Rev. 02
Date: 2016-04-28	Copyright: Trenz Electronic GmbH / TT	Page 11 of 25
Filename: B34.SchDoc		



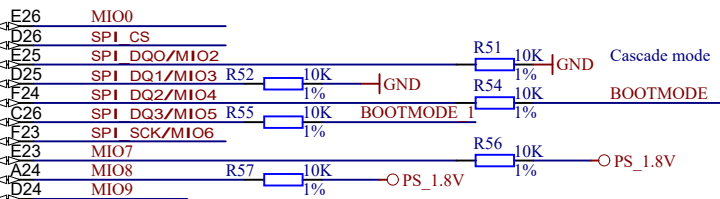
			Title: TE0745 - Zynq_B35	
			A4	Number: 12 92I11-A
Date: 2016-04-28		Copyright: Trenz Electronic GmbH / TT		Page 12 of 25
Filename: B35.SchDoc				



U1G

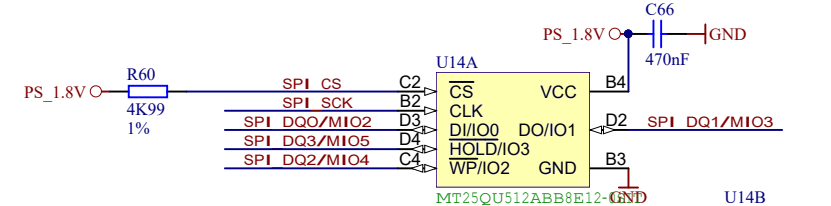
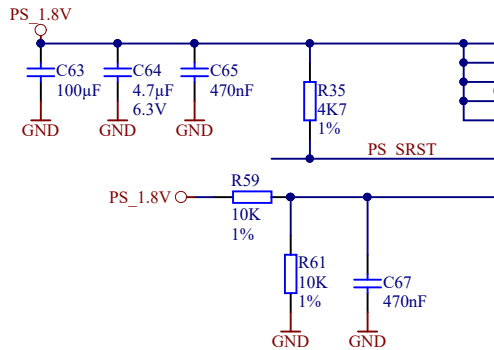
BANK 500 & 501

A26	VCCO_MIO0_500	PS_MIO0_500	E26	MIO0
B23	VCCO_MIO0_500	PS_MIO1_500	D26	SPI_CS
E24	VCCO_MIO0_500	PS_MIO2_500	E25	SPI_DQ0/MIO2
		PS_MIO3_500	D25	SPI_DQ1/MIO3
		PS_MIO4_500	F24	SPI_DQ2/MIO4
		PS_MIO5_500	C26	SPI_DQ3/MIO5
		PS_MIO6_500	F23	SPI_SCK/MIO6
		PS_MIO7_500	E23	MIO7
		PS_MIO8_500	A24	MIO8
		PS_MIO9_500	D24	MIO9
		PS_MIO10_500	A25	I2C_SCL
		PS_MIO11_500	B26	I2C_SDA
		PS_MIO12_500	A23	MIO12
		PS_MIO13_500	B25	MIO13
		PS_MIO14_500	D23	MIO14
		PS_MIO15_500	C24	MIO15
		VCCO_MIO1_501	G21	ETH_TXCK
		VCCO_MIO1_501	G17	ETH_TXD0
		VCCO_MIO1_501	G20	ETH_TXD1
		VCCO_MIO1_501	G19	ETH_TXD2
		VCCO_MIO1_501	H19	ETH_TXD3
		PS_MIO16_501	F22	ETH_TXCTL
		PS_MIO17_501	G22	ETH_RXCK
		PS_MIO18_501	F20	ETH_RXD0
		PS_MIO19_501	J19	ETH_RXD1
		PS_MIO20_501	F19	ETH_RXD2
		PS_MIO21_501	H17	ETH_RXD3
		PS_MIO22_501	F18	ETH_RXCTL
		PS_MIO23_501	J18	OTG_DATA4
		PS_MIO24_501	E20	OTG_DIR
		PS_MIO25_501	K19	OTG_STP
		PS_MIO26_501	E21	OTG_NXT
		PS_MIO27_501	K17	OTG_DATA0
		PS_MIO28_501	E22	OTG_DATA1
		PS_MIO29_501	J16	OTG_DATA2
		PS_MIO30_501	D19	OTG_DATA3
		PS_MIO31_501	K16	OTG_CLK
		PS_MIO32_501	D20	OTG_DATA5
		PS_MIO33_501	D21	OTG_DATA6
		PS_MIO34_501	C21	OTG_DATA7
		PS_MIO35_501	C22	MIO40
		PS_MIO36_501	C19	MIO41
		PS_MIO37_501	F17	MIO42
		PS_MIO38_501	D18	MIO43
		PS_MIO39_501	E18	MIO44
		PS_MIO40_501	C18	MIO45
		PS_MIO41_501	E17	MIO46
		PS_MIO42_501	B19	MIO47
		PS_MIO43_501	B21	MIO48
		PS_MIO44_501	A18	MIO49
		PS_MIO45_501	B22	MIO50
		PS_MIO46_501	B20	MIO51
		PS_MIO47_501	A20	ETH_MDC
		PS_MIO48_501	A19	ETH_MDIO
		PS_MIO49_501		
		PS_MIO50_501		
		PS_MIO51_501		
		PS_MIO52_501		
		PS_MIO53_501		



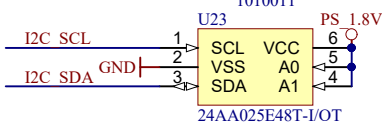
MIO Bank Voltage	MIO7	MIO8
	Bank0	Bank1
2.5V, 3.3V	0	0
1.8V	1	1

BOOT MODE	MIO5	MIO4	MIO3
JTAG Boot Mode	0	0	0
NOR Boot	0	0	1
NAND	0	1	0
Quad-SPI	1	0	0
SD Card	1	1	0

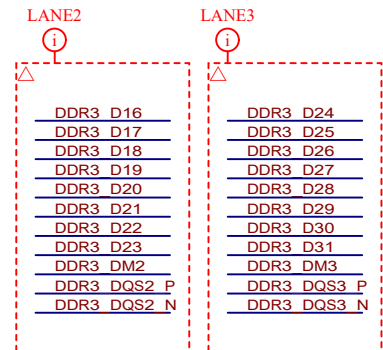
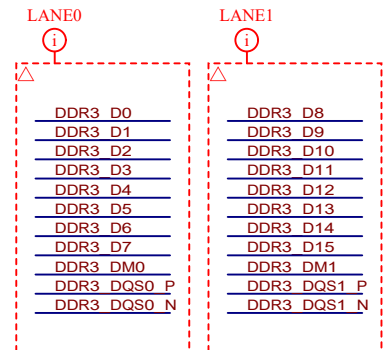
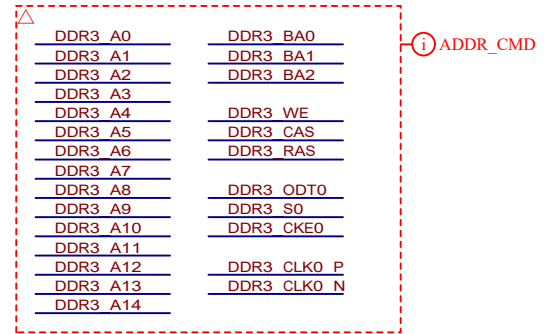
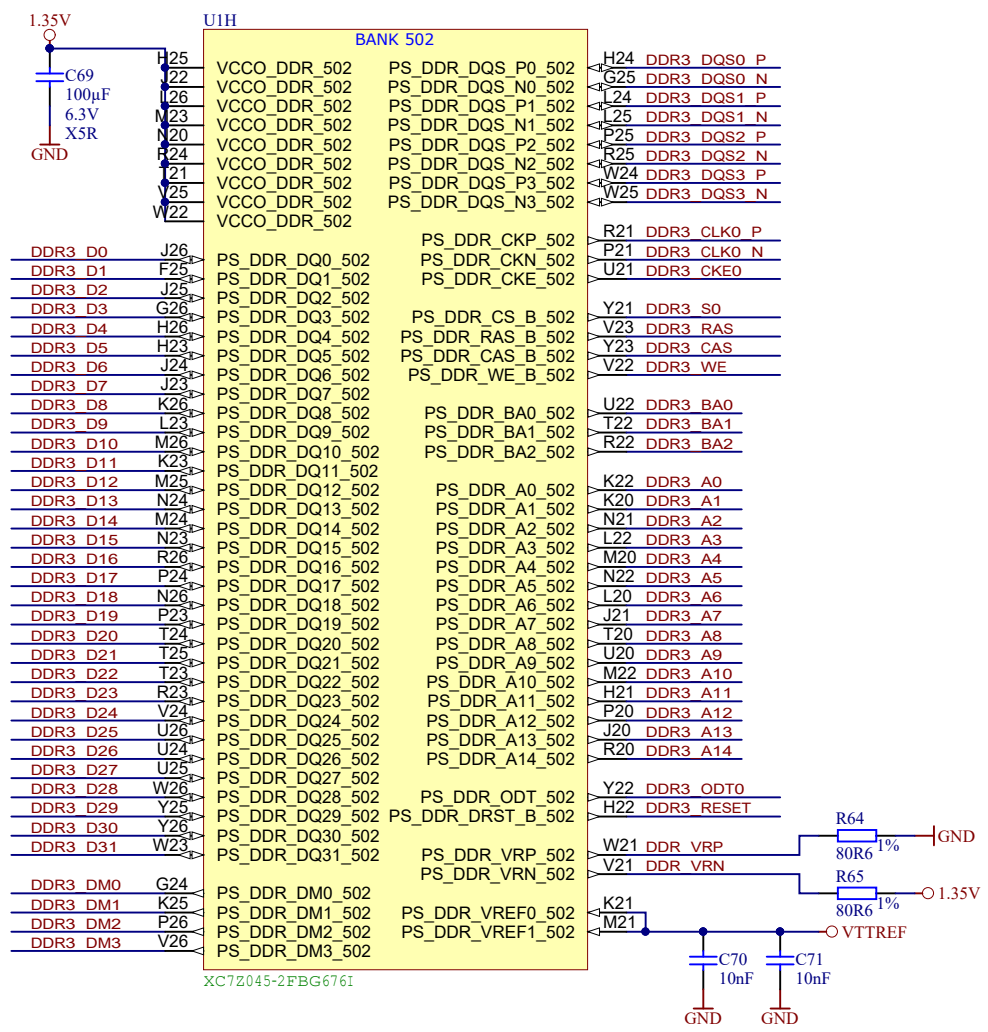


- MIO
- MIO40
 - MIO41
 - MIO42
 - MIO43
 - MIO44
 - MIO45
 - MIO46
 - MIO47
 - MIO48
 - MIO49
 - MIO50
 - MIO51

EEPROM for MAC
Slave ADDR:
1010011

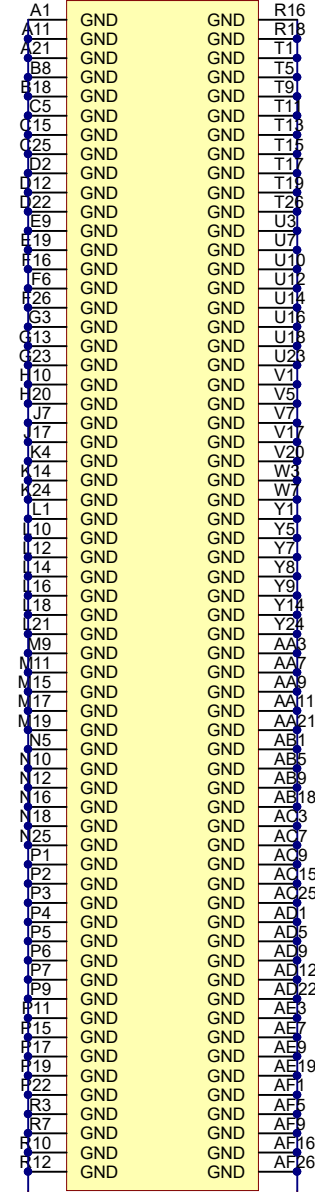


Title: TE0745 - Zynq_MIO_Banks		
A4	Number: 14 92111-A	Rev. 02
Date: 2016-04-28	Copyright: Trenz Electronic GmbH / TT	Page 14 of 25
Filename: MIO_B500.SchDoc		

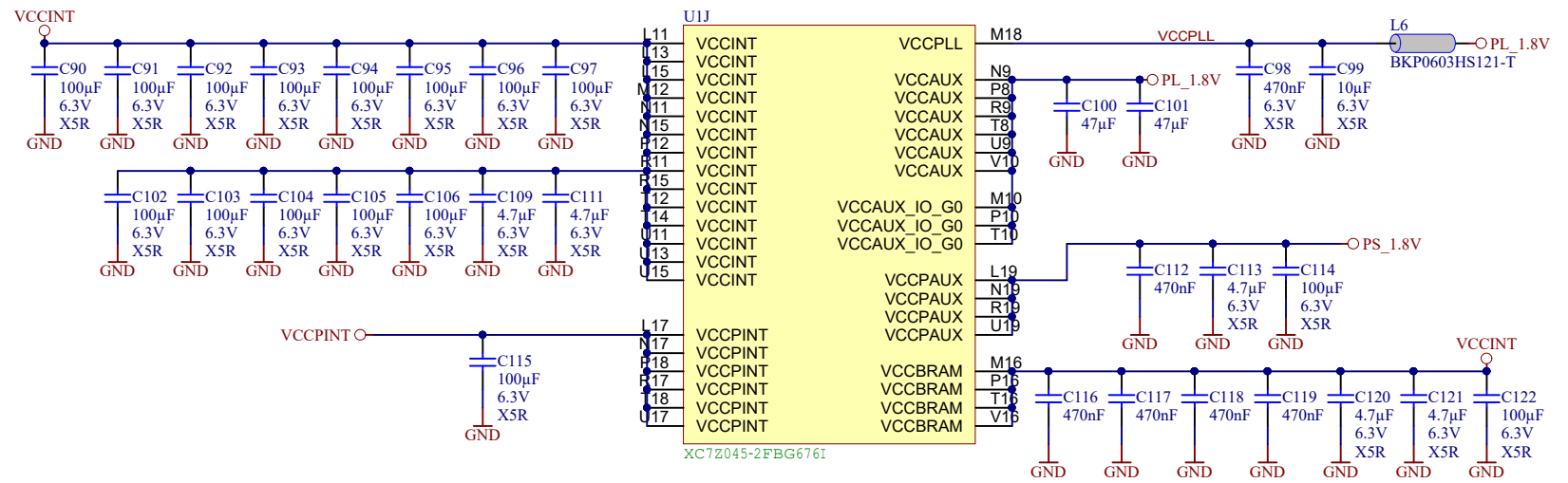


Title: TE0745 - Zynq_PS_DDR			
A4	Number: 15 92111-A	Rev. 02	
Date: 2016-04-28	Copyright: Trenz Electronic GmbH / TT	Page 15 of 25	
Filename: PS-DDR.SchDoc			

UIK



XC7Z045-2FBG6761



XC7Z045-2FBG6761



Title: TE0745 - Zynq_Power		
A4	Number: 16 9211-A	Rev. 02
Date: 2016-04-28	Copyright: Trenz Electronic GmbH / TT	Page 16 of 25
Filename: ZYNC_POWER.SchDoc		

A

A

B

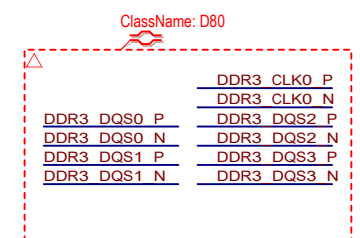
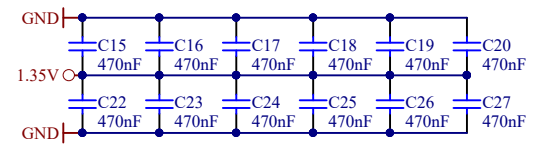
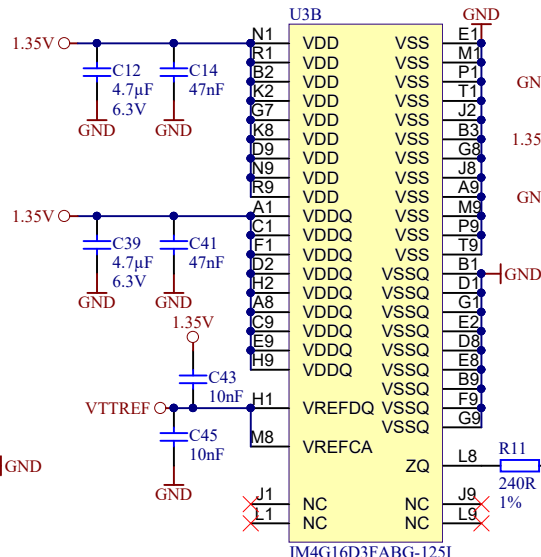
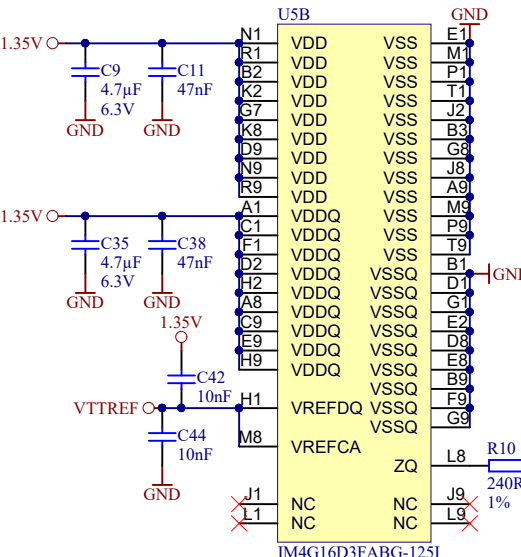
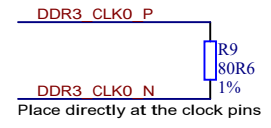
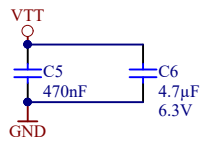
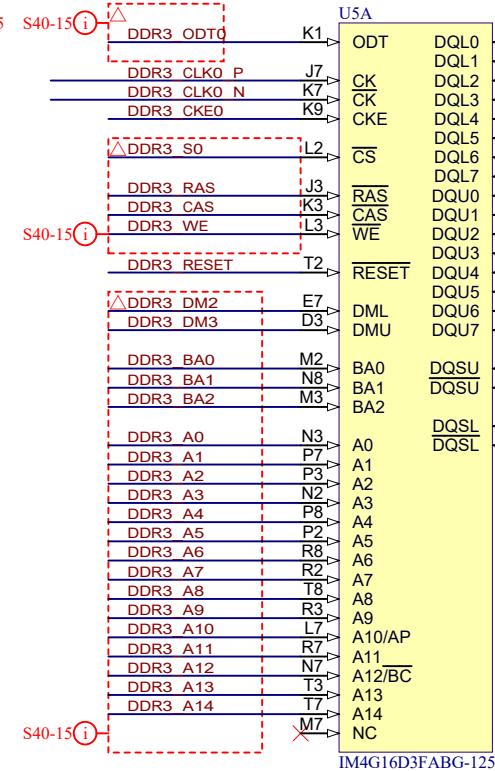
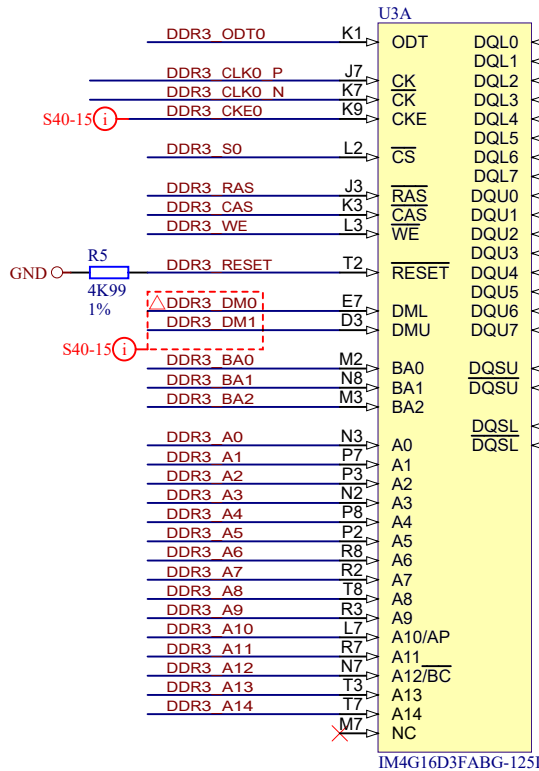
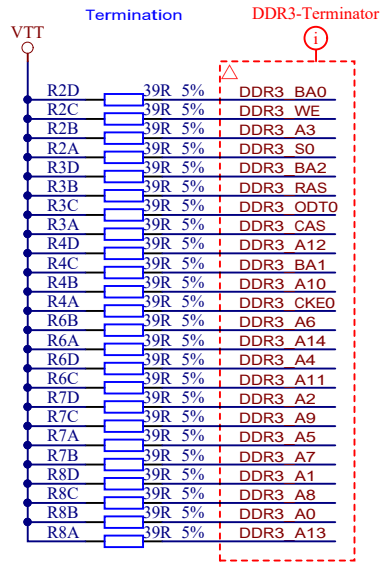
B

C

C

D

D



Title: TE0745 - DDR3 RAM		
A4	Number: 17 92111-A	Rev. 02
Date: 2016-04-28	Copyright: Trenz Electronic GmbH	Page 17 of 25
Filename: DDR3-RAM.SchDoc		

1

2

3

4

A

A

B

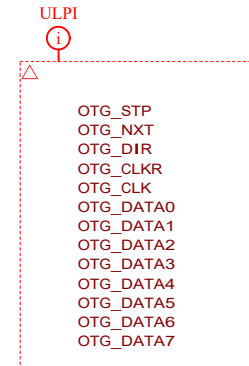
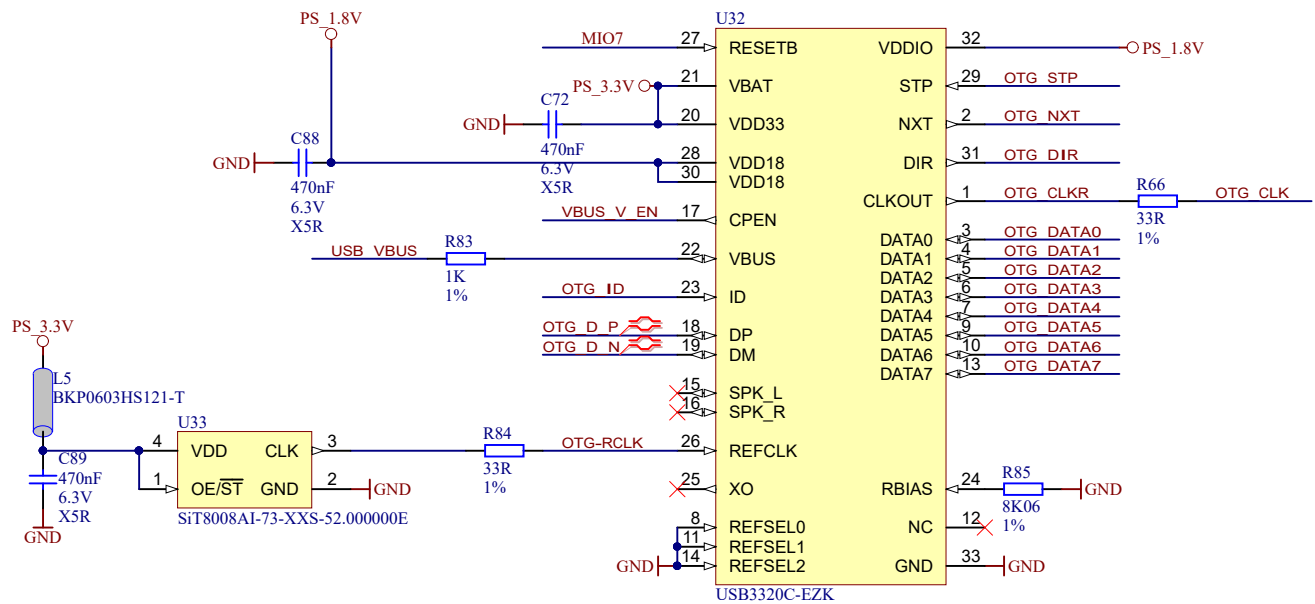
B

C

C

D

D



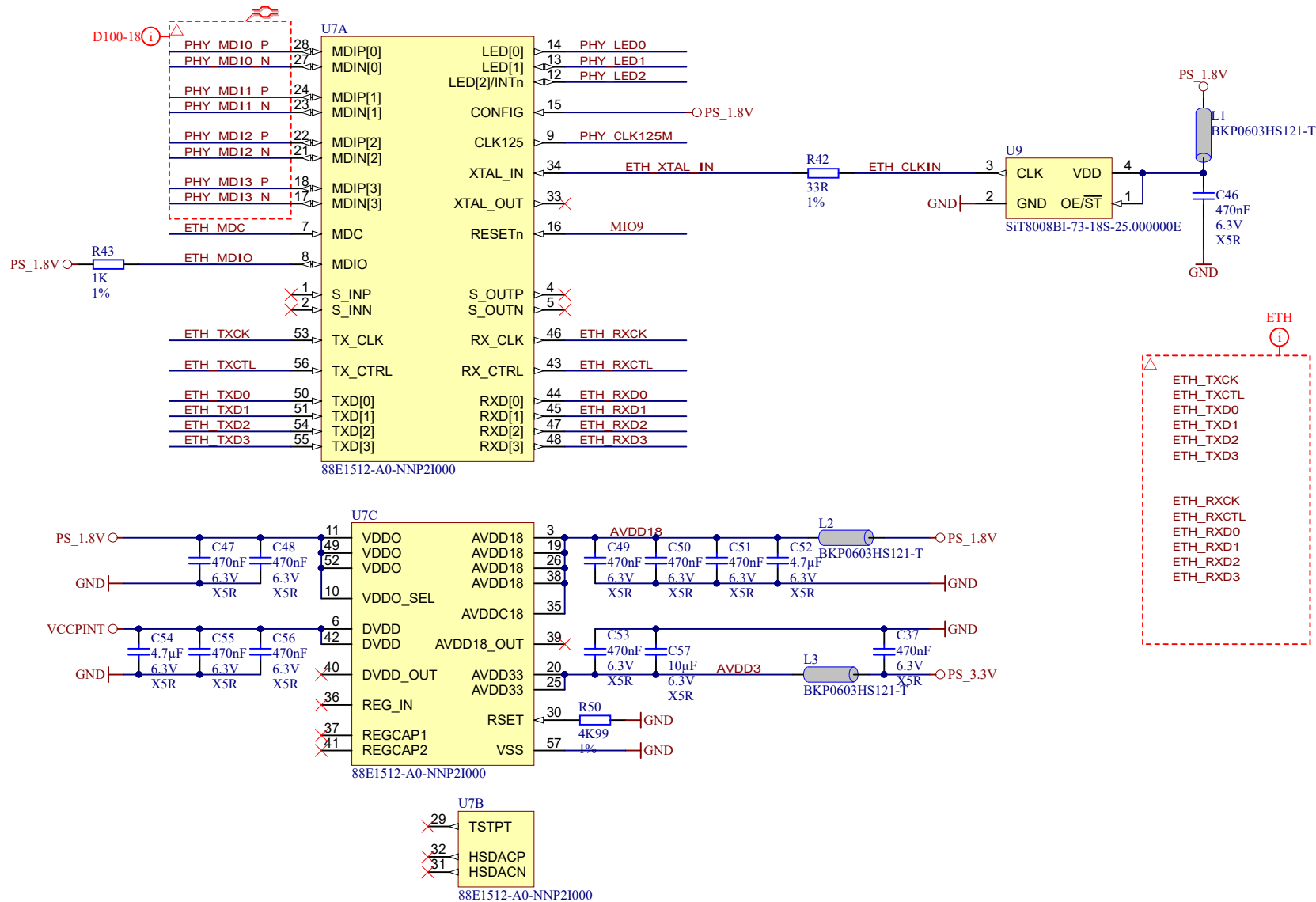
Title: TE0745 - USB_PHY		
A4	Number: 18 92111-A	Rev. 02
Date: 2016-04-28	Copyright: Trenz Electronic GmbH / TT	Page 18 of 25
Filename: USB-PHY.SchDoc		

1

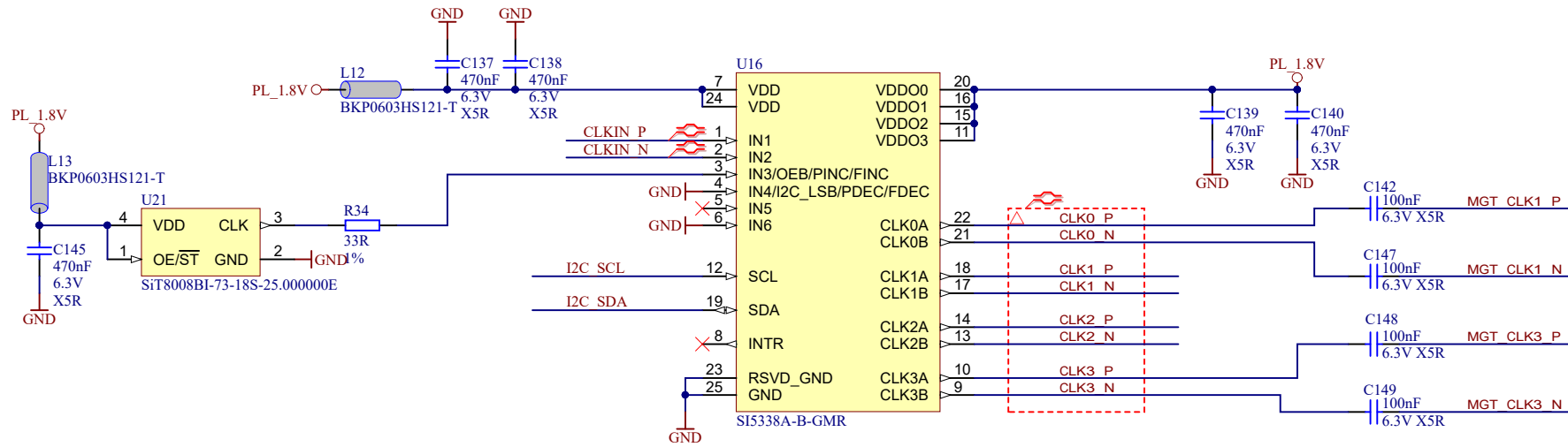
2

3


4

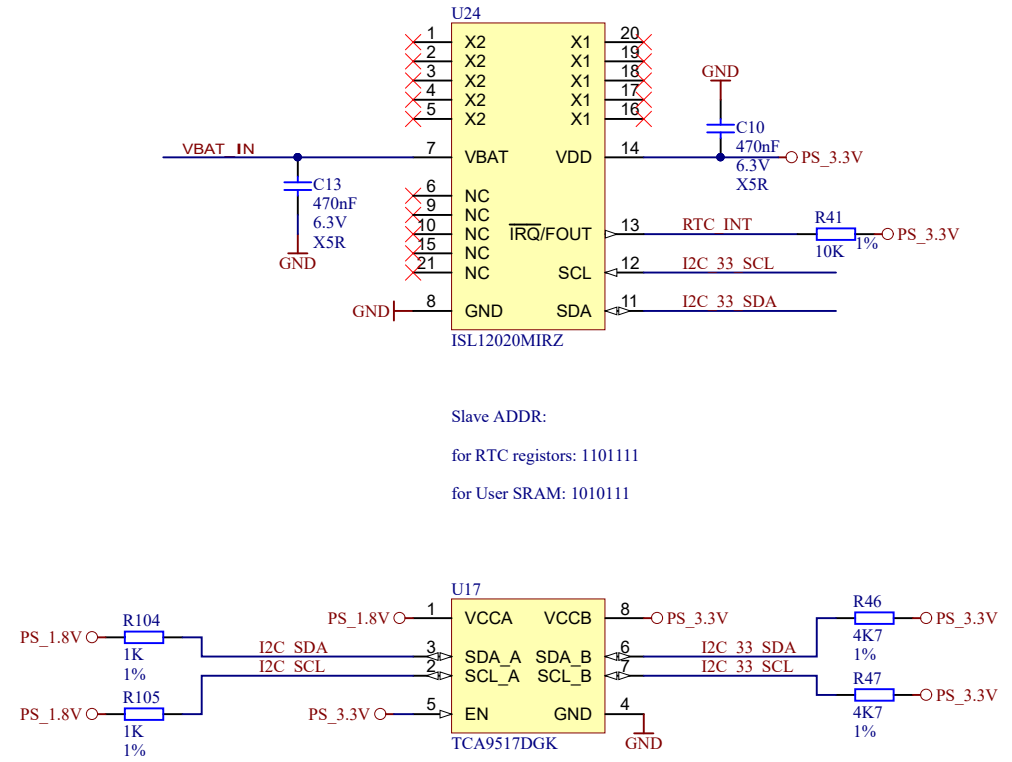


Title: TE0745 - ETH_PHY		
A4	Number: 19 9211-A	Rev. 02
Date: 2016-04-28	Copyright: Trenz Electronic GmbH / TT	Page 19 of 25
Filename: ETH-PHY.SchDoc		

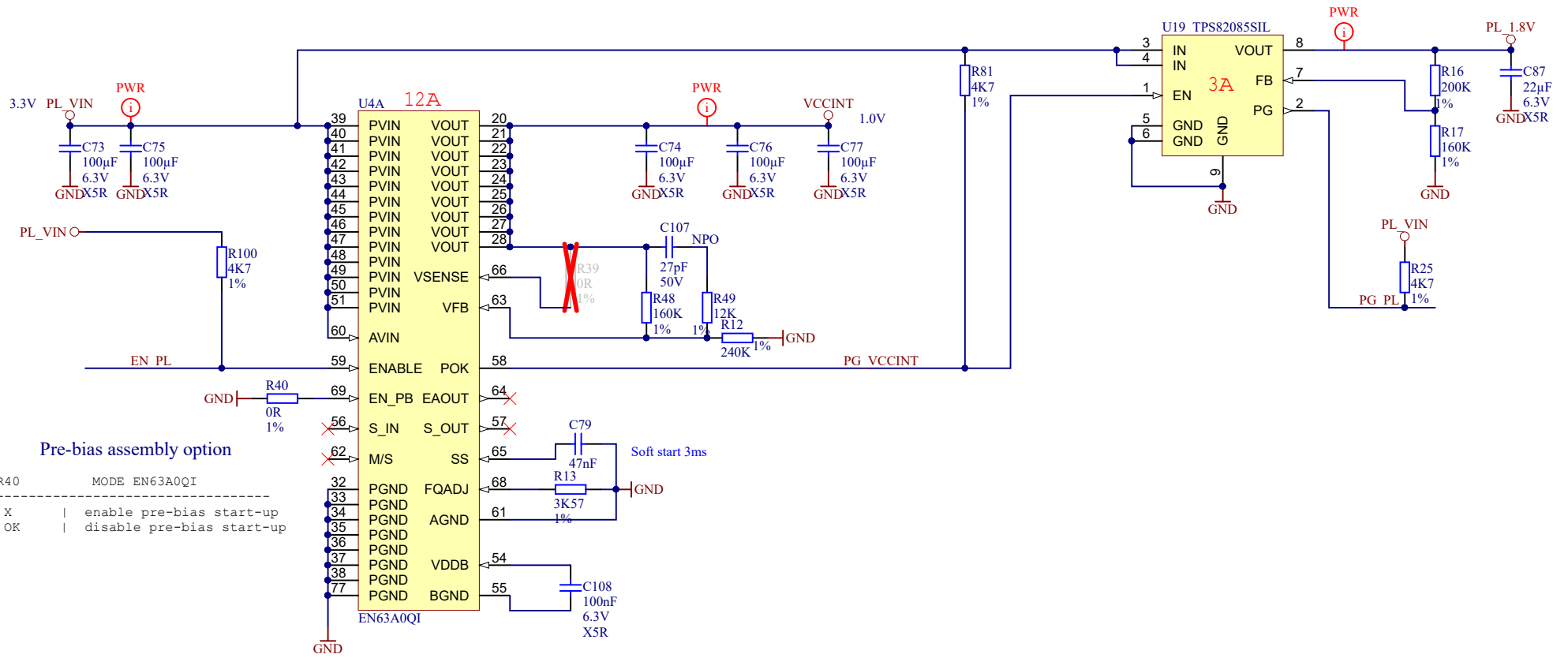


Slave ADDR:
1110000 OR 1110001

		Title: TE0745 - CLK	
		A4	Number: 20 92111-A
Date: 2016-04-28		Copyright: Trenz Electronic GmbH / TT	
Filename: CLK.SchDoc		Page 20 of 25	



Title: TE0745 - RTC		
A4	Number: 21 92111-A	Rev. 02
Date: 2016-04-28	Copyright: Trenz Electronic GmbH / TT	Page21 of 25
Filename: SENSOR-RTC.SchDoc		



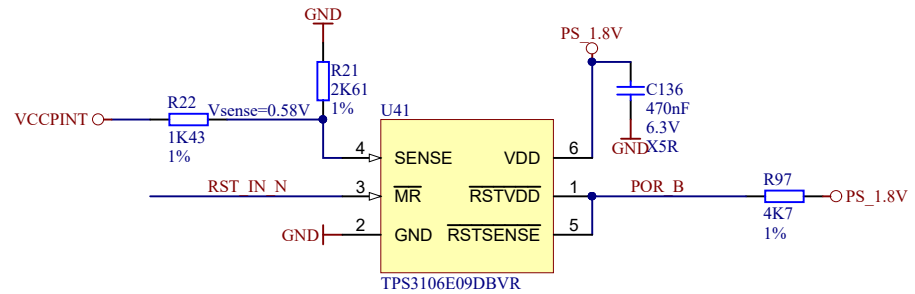
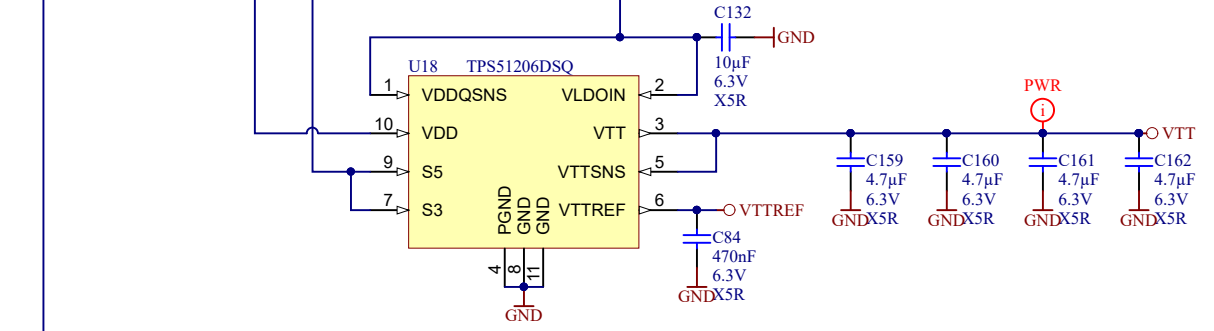
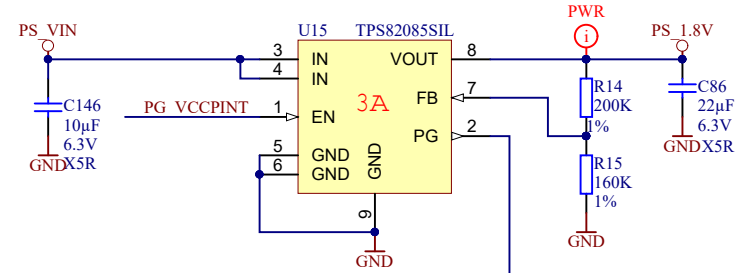
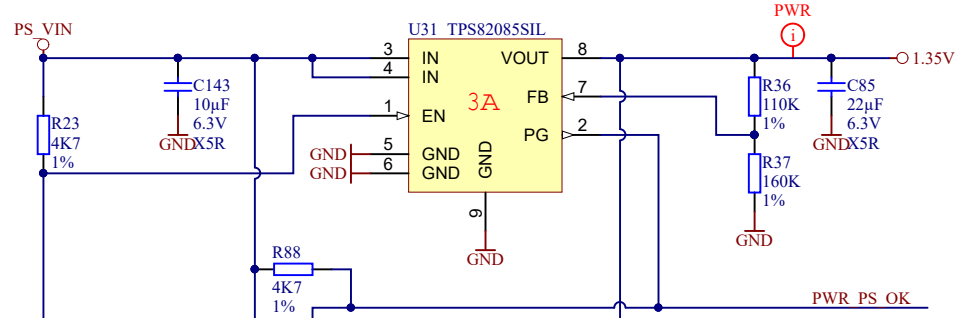
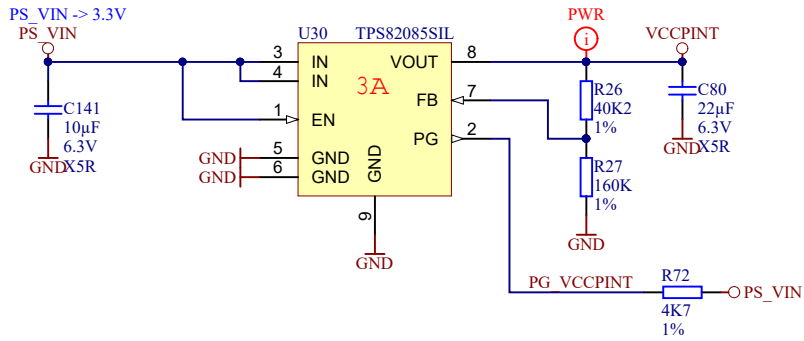
Pre-bias assembly option

R39	R40	MODE	EN63A0QI
OK	X		enable pre-bias start-up
X	OK		disable pre-bias start-up

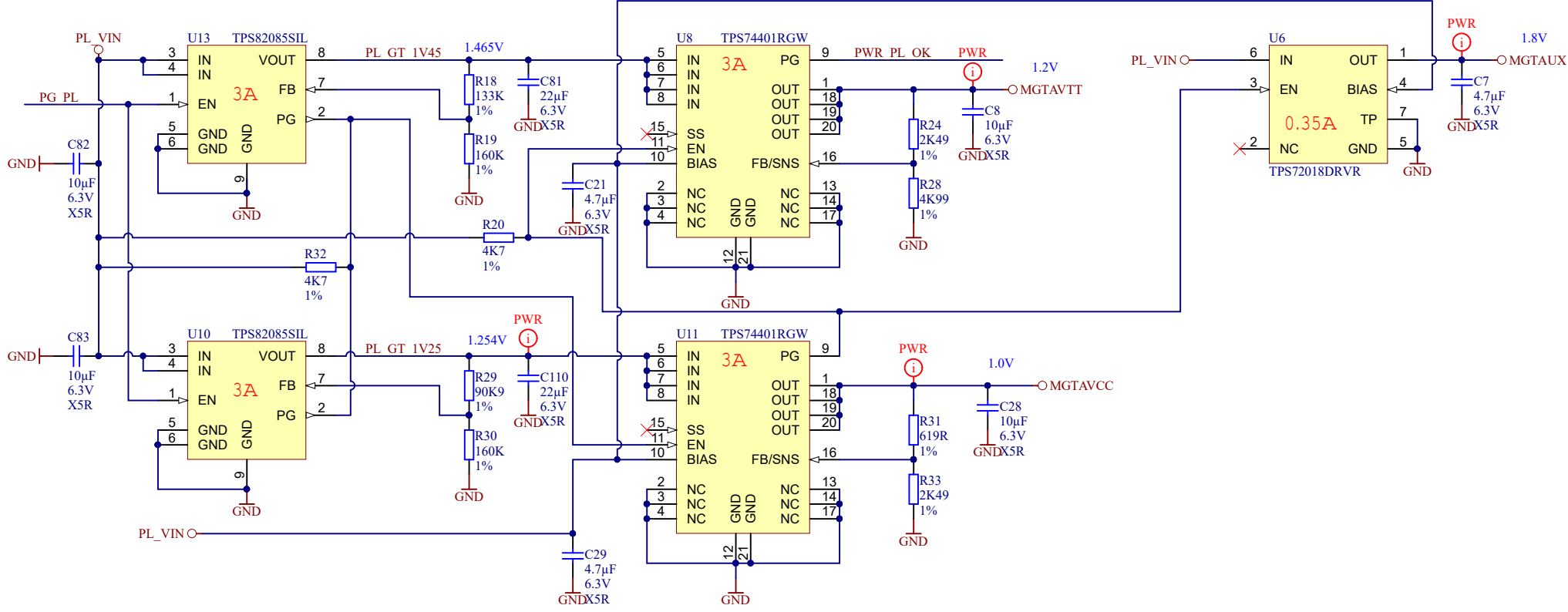
U4B			
1	NC	NC	17
2	NC	NC	18
3	NC	NC	19
4	NC	NC	29
5	NC	NC(SW)	30
6	NC	NC(SW)	31
7	NC	NC	52
8	NC	NC	53
9	NC	NC	67
10	NC	NC(SW)	70
11	NC	NC(SW)	71
12	NC	NC	72
13	NC	NC	73
14	NC	NC	74
15	NC	NC	75
16	NC	NC	76

EN63A0QI

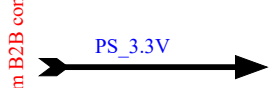
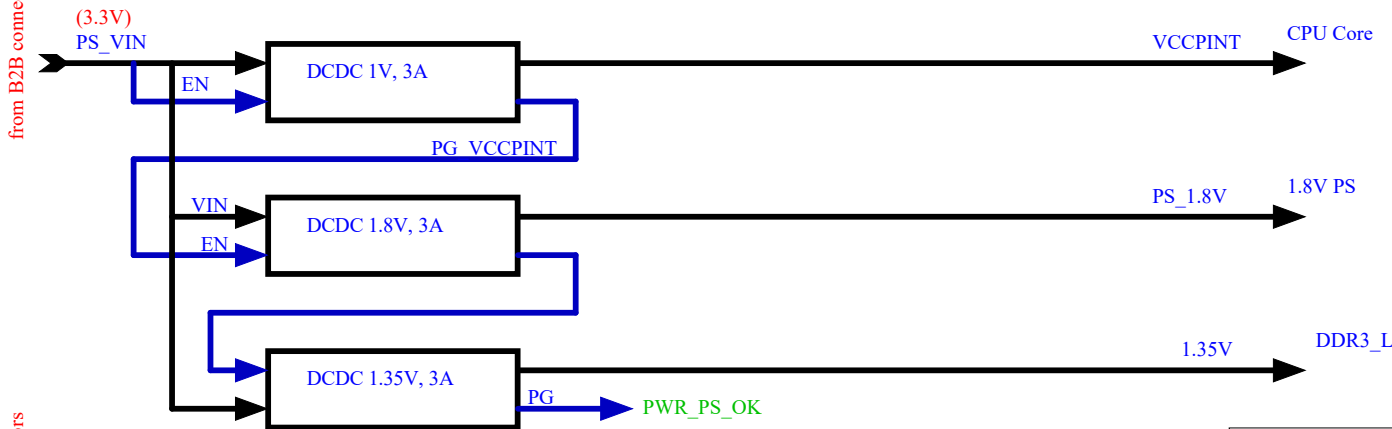
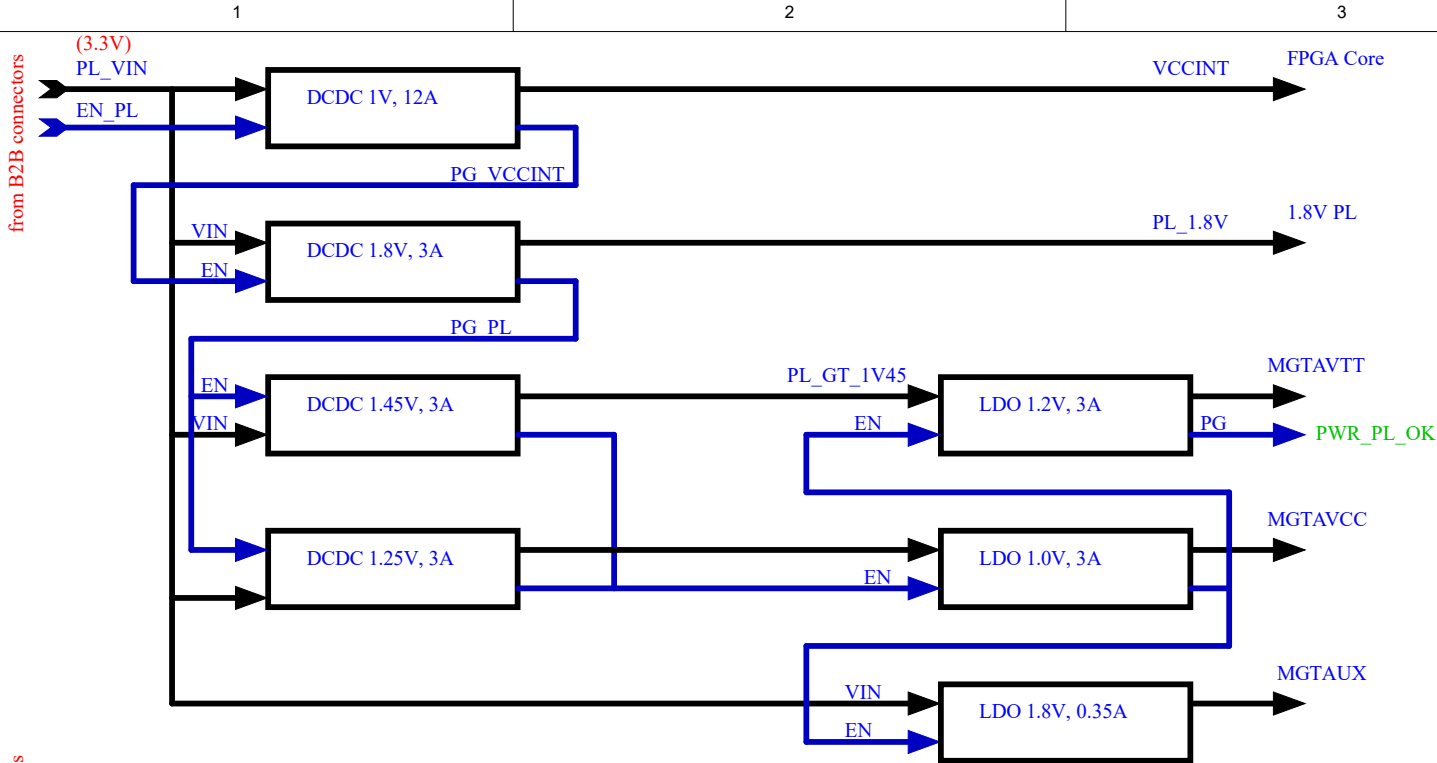
	Title: TE0745 - Power		
	A4	Number: 22 92111-A	Rev. 02
	Date: 2016-04-28	Copyright: Trenz Electronic GmbH / TT	Page 22 of 25
	Filename: POWER.SchDoc		



	Title: TE0745 - Power2		
	A4	Number: 23 92111-A	Rev. 02
	Date: 2016-04-28	Copyright: Trenz Electronic GmbH / TT	Page 23 of 25
	Filename: POWER_2.SchDoc		



Title: TE0745 - Power3		
A4	Number: 24 92111-A	Rev. 02
Date: 2016-04-28	Copyright: Trenz Electronic GmbH / TT	Page24 of 25
Filename: POWER_3.SchDoc		



Title: TE0745 - Power overview		
A4	Number: 25 92111-A	Rev. 02
Date: 2015-07-01	Copyright: Trenz Electronic GmbH	Page25 of 25
Filename: PowerOverview.SchDoc		