

1

2

3

4

CHANGES REV01 to REV02

- 1) MAC EEPROM Address patch fixed on PCB
- 2) lib components update

A

A

B

B

C

C

D

D

Assembly variant	92111-B
Created by	VY
Modified by	VY
Modified at	2020-02-09
SVN Version	8496



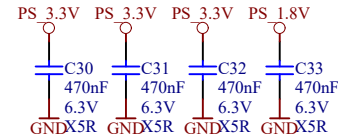
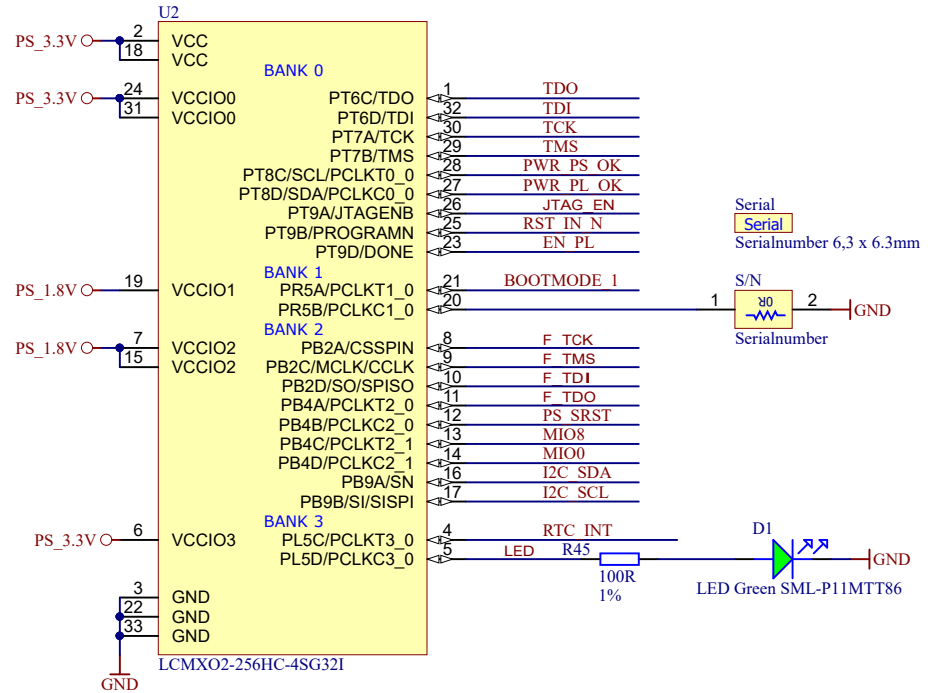
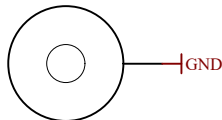
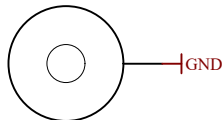
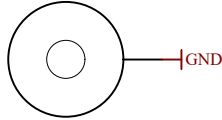
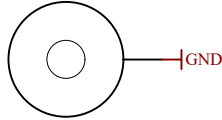
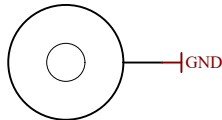
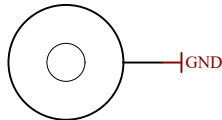
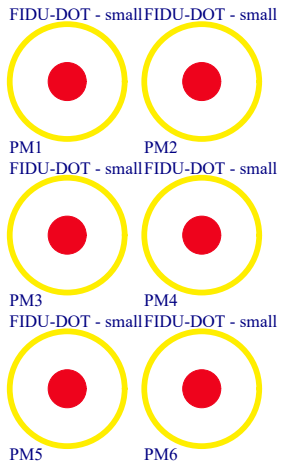
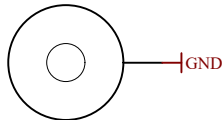
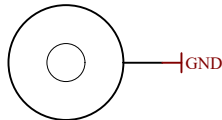
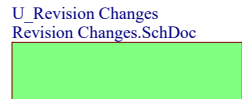
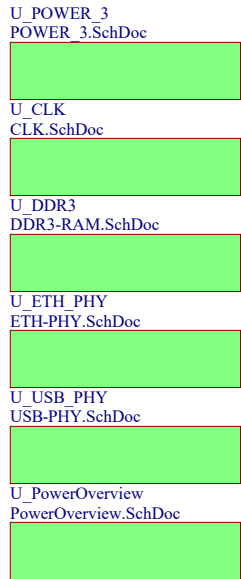
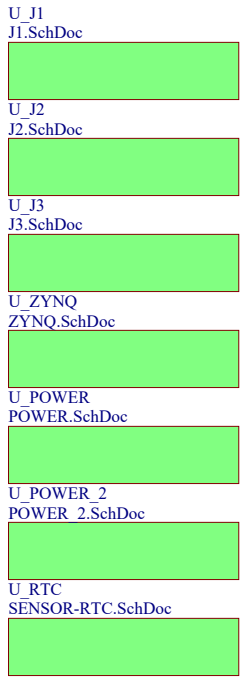
Title: TE0745		
A4	Number: 1 92111-B	Rev. 02
Date: 2016-04-28	Copyright: Trenz Electronic GmbH / TT	Page1 of 25
Filename: Revision Changes.SchDoc		

1

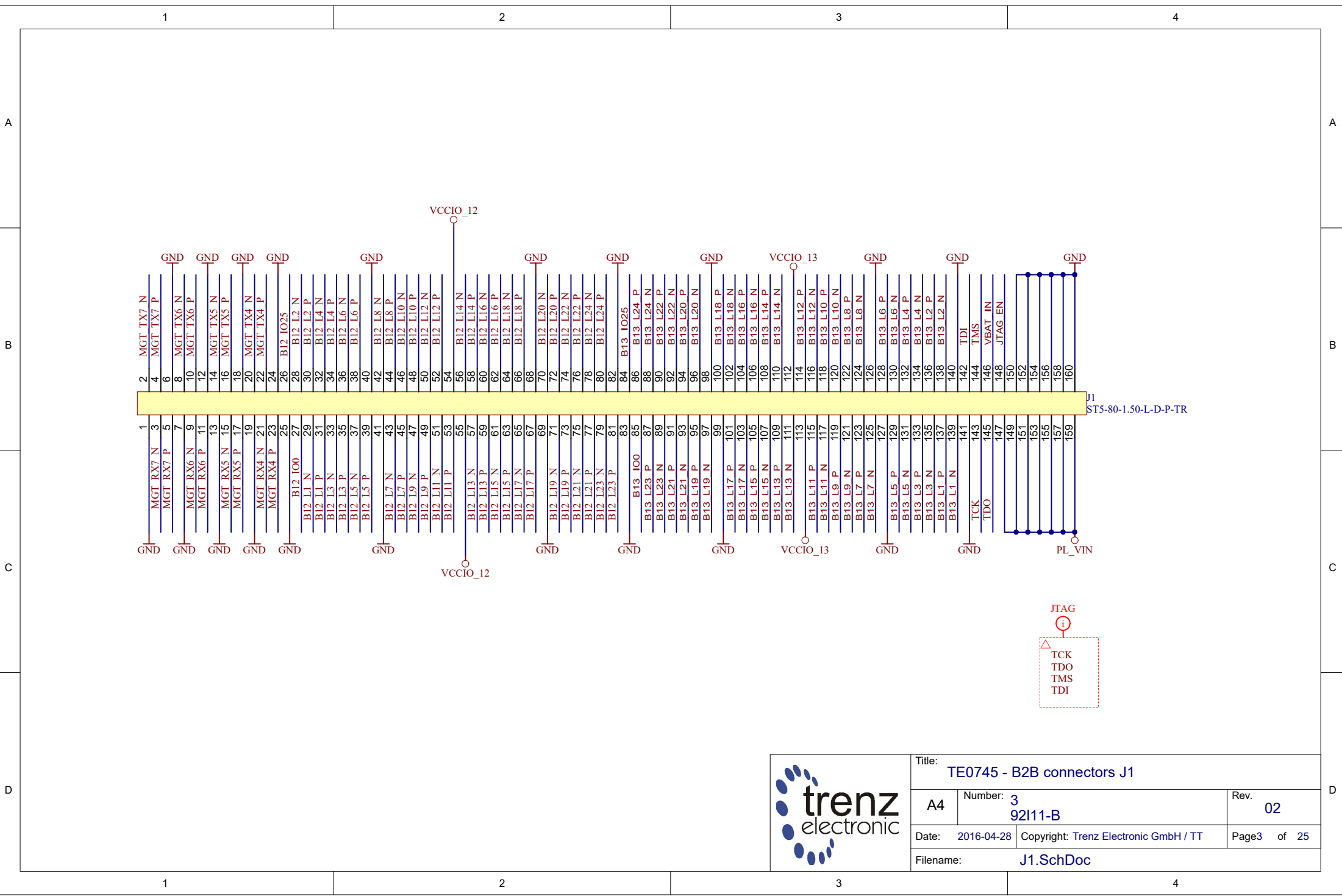
2

3

4



	Title: TE0745	
	A4	Number: 2 92111-B
	Date: 2016-04-28	Rev. 02
	Copyright: Trenz Electronic GmbH / TT	Page2 of 25
Filename: TE0745.SchDoc		

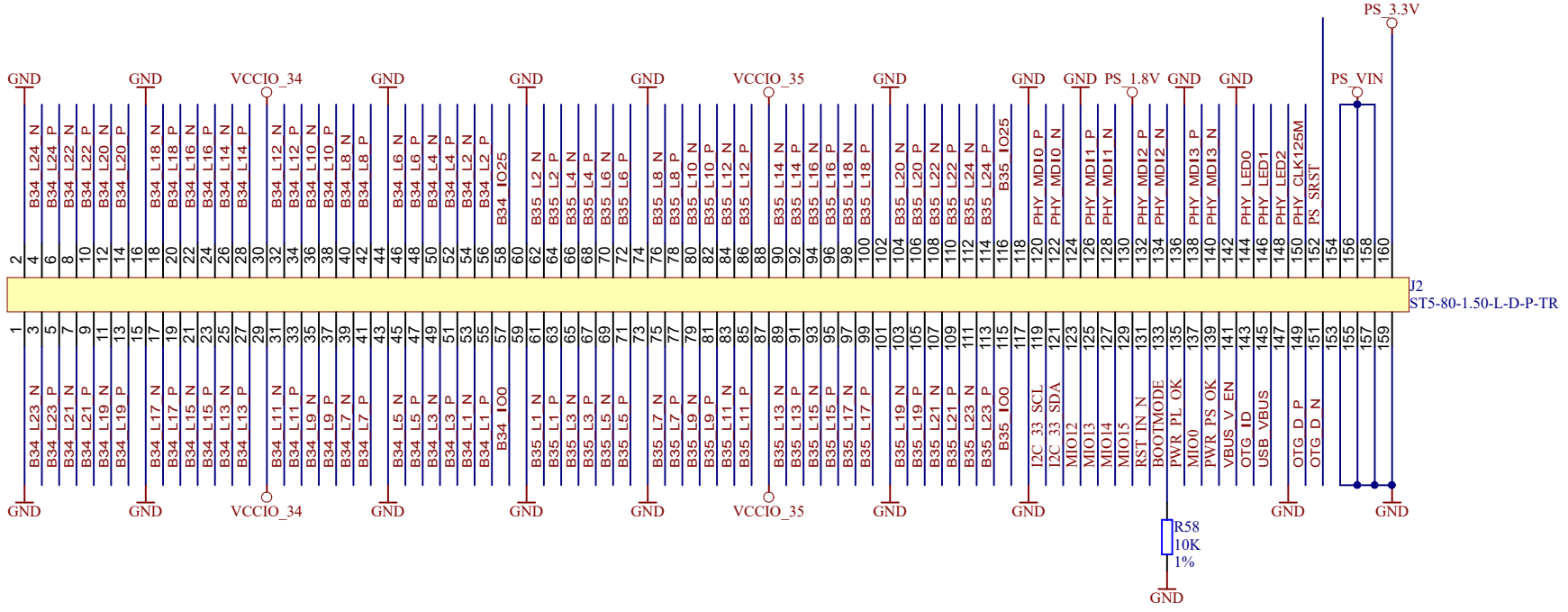


Title: TE0745 - B2B connectors J1		
A4	Number: 3 92I11-B	Rev. 02
Date: 2016-04-28	Copyright: Trenz Electronic GmbH / TT	Page3 of 25
Filename: J1.SchDoc		

ETH\_MDI

1

- PHY\_MDI1\_P
- PHY\_MDI1\_N
- PHY\_MDI3\_P
- PHY\_MDI3\_N
- PHY\_MDI0\_P
- PHY\_MDI0\_N
- PHY\_MDI2\_P
- PHY\_MDI2\_N



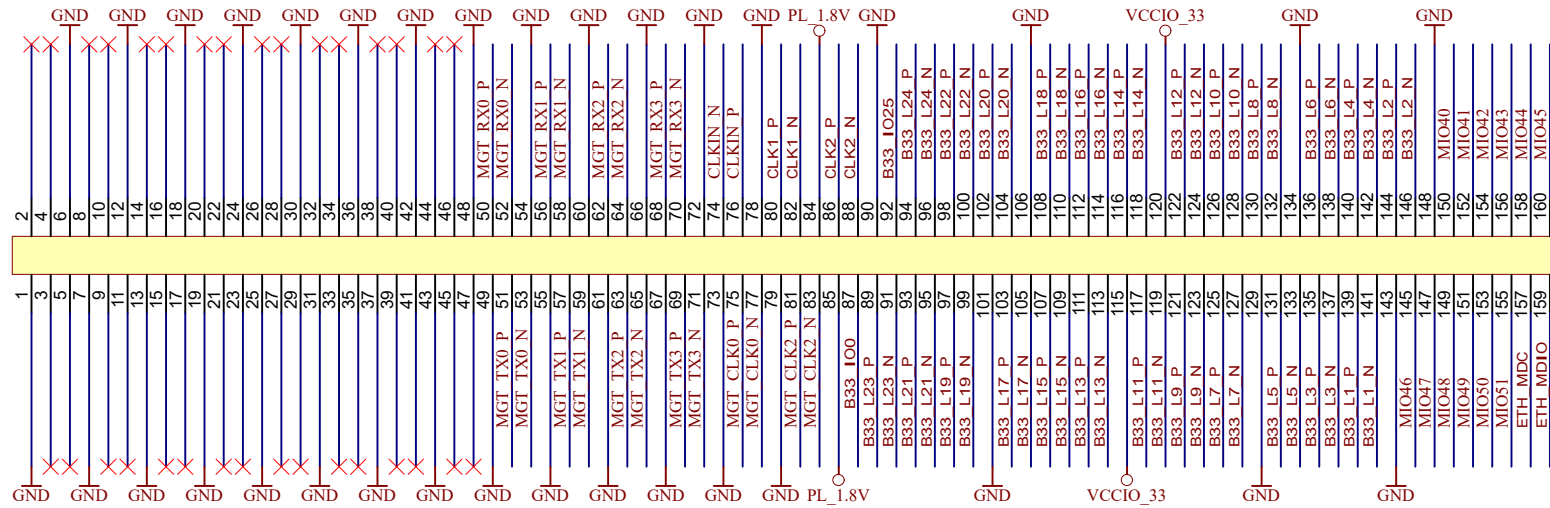
J2  
ST5-80-1.50-L-D-P-TR

R58  
10K  
1%




Title: TE0745 - B2B connectors J2		
A4	Number: 4 92I11-B	Rev. 02
Date: 2016-04-28	Copyright: Trenz Electronic GmbH / TT	Page4 of 25
Filename: J2.SchDoc		

RESERVED for additional 8 GTX lanes



J3  
ST5-80-1.50-L-D-P-TR



Title: TE0745 - B2B connectors J3		
A4	Number: 5 92111-B	Rev. 02
Date: 2016-04-28	Copyright: Trenz Electronic GmbH / TT	Page5 of 25
Filename: J3.SchDoc		

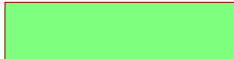
1

2

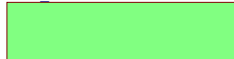
3

4

U\_B12  
B12.SchDoc



U\_B500  
MIO\_B500.SchDoc



U\_B13  
B13.SchDoc



U\_PS\_DDR  
PS-DDR.SchDoc



U\_B33  
B33.SchDoc



U\_MISC  
ZYNQ\_MISC.SchDoc



U\_B34  
B34.SchDoc



U\_ZYNQ\_POWER  
ZYNQ\_POWER.SchDoc



U\_B35  
B35.SchDoc



U\_FPGA\_MGT  
FPGA\_MGT.SchDoc



A

A

B

B

C

C

D


D

1

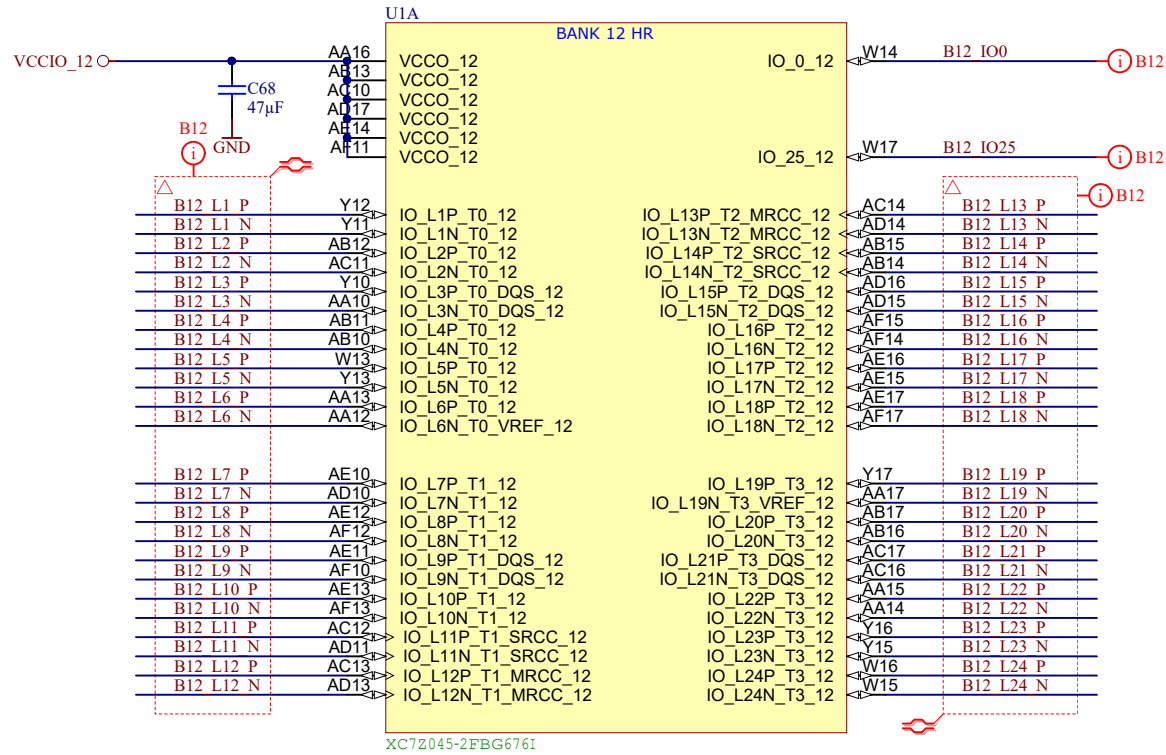
2

3

4

	Title: TE0745 - Zynq		
	A4	Number: 6 92I11-B	Rev. 02
	Date: 2016-04-28	Copyright: Trenz Electronic GmbH / TT	Page6 of 25
	Filename: ZYNQ.SchDoc		



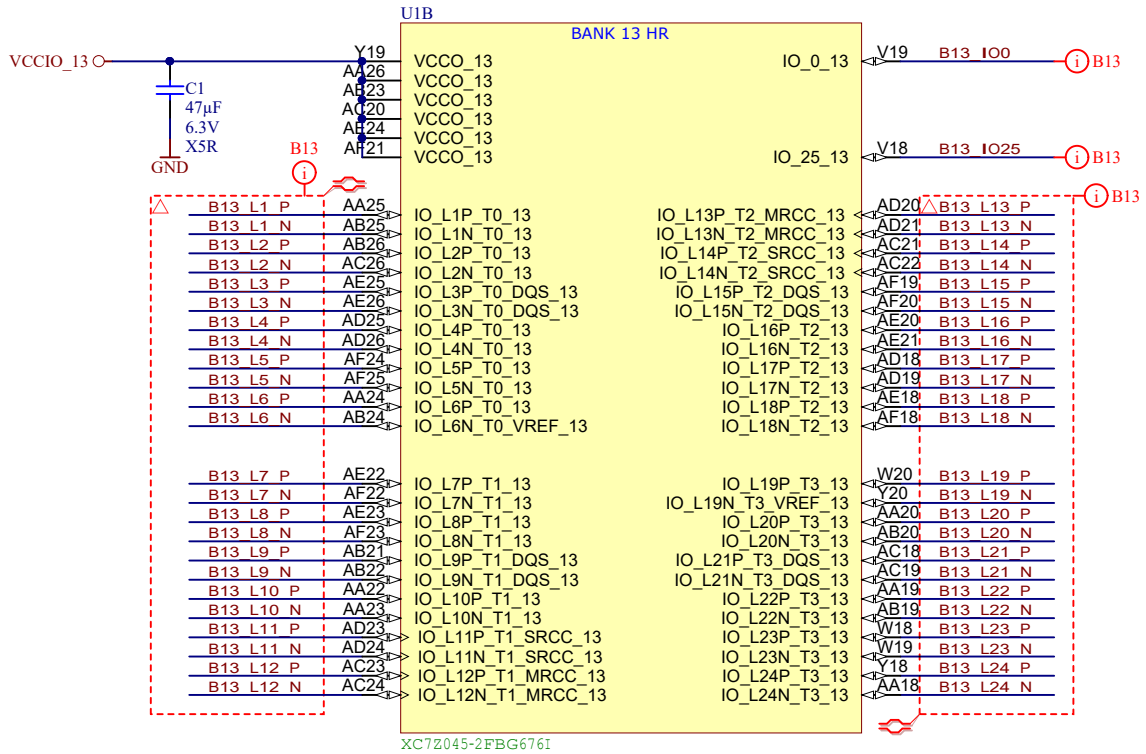


XC7Z045-2FBG6761

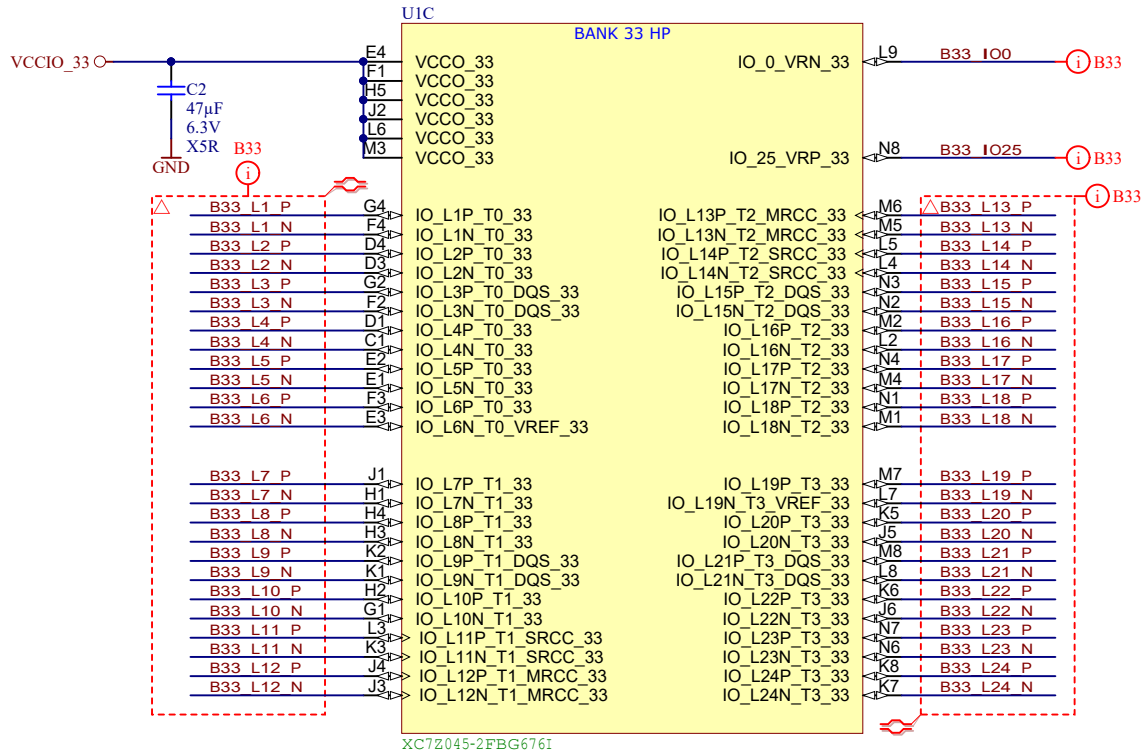



Title: TE0745 - Zynq_B12		
A4	Number: 8 92I11-B	Rev. 02
Date: 2016-04-28	Copyright: Trenz Electronic GmbH / TT	Page 8 of 25
Filename: B12.SchDoc		

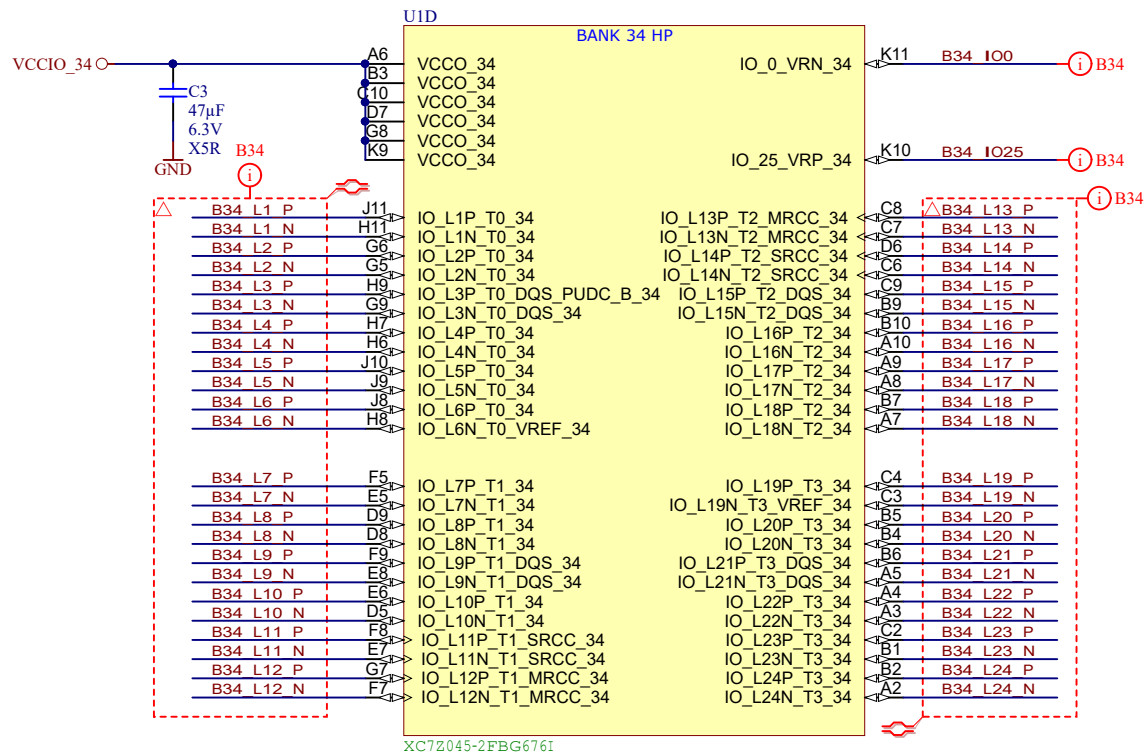




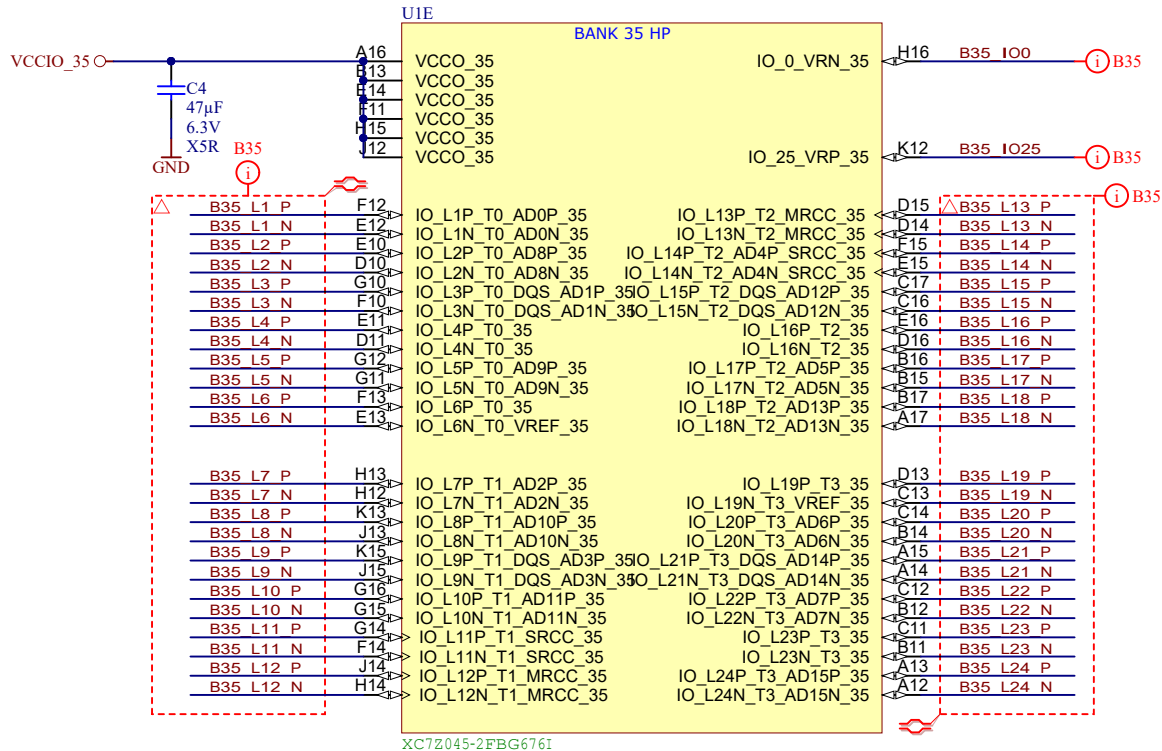
Title: TE0745 - Zynq_B13		
A4	Number: 9 92I11-B	Rev. 02
Date: 2016-04-28	Copyright: Trenz Electronic GmbH / TT	Page9 of 25
Filename: B13.SchDoc		




	Title: TE0745 - Zynq_B33		
	A4	Number: 10 92111-B	Rev. 02
	Date: 2016-04-28	Copyright: Trenz Electronic GmbH / TT	Page10 of 25
	Filename: B33.SchDoc		



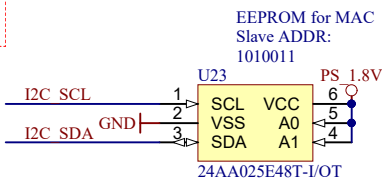
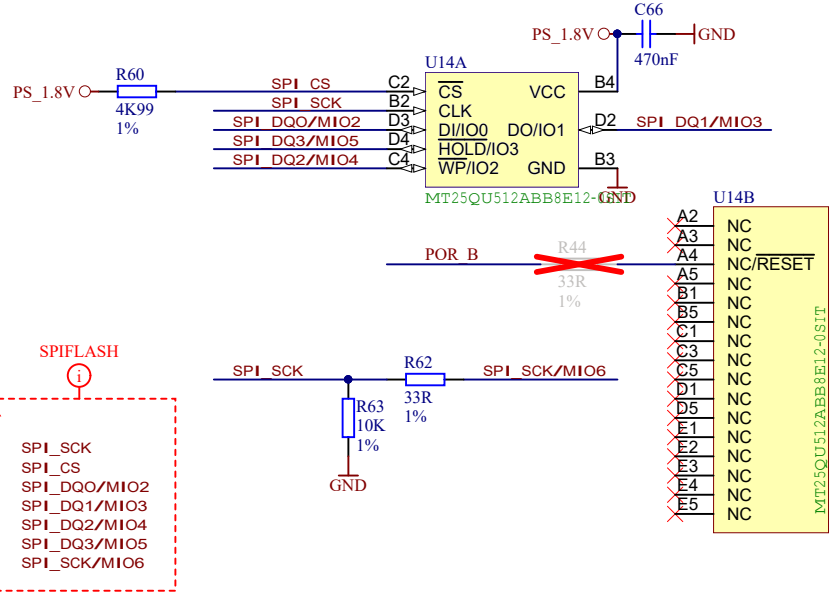
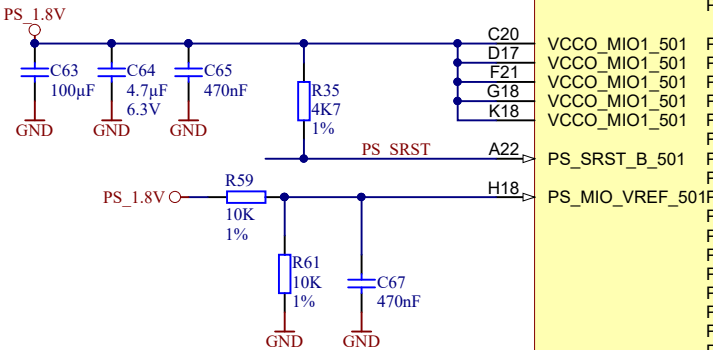
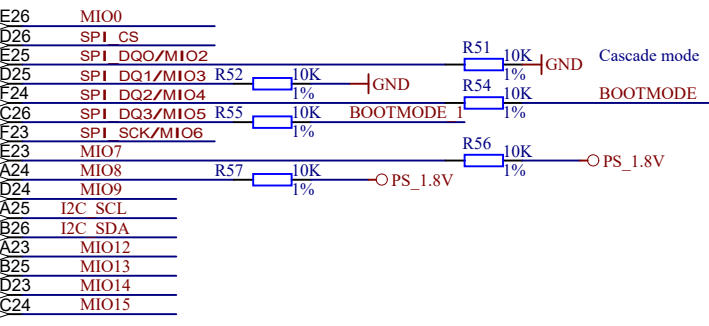
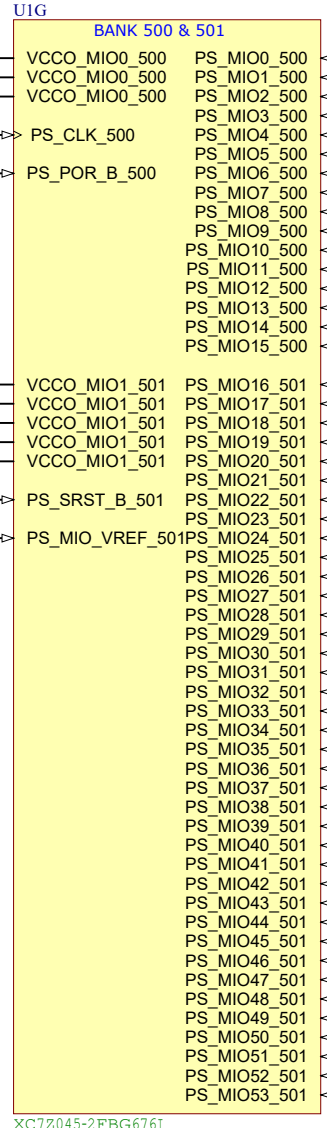
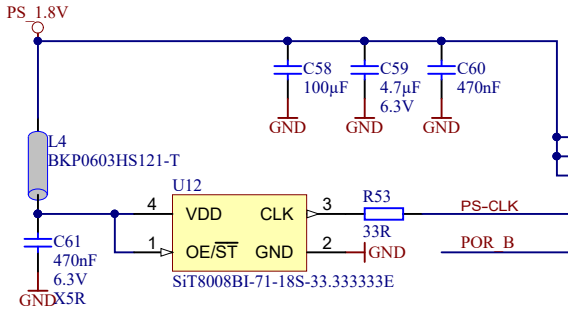
Title: TE0745 - Zynq_B34		
A4	Number: 11 92111-B	Rev. 02
Date: 2016-04-28	Copyright: Trenz Electronic GmbH / TT	Page 11 of 25
Filename: B34.SchDoc		



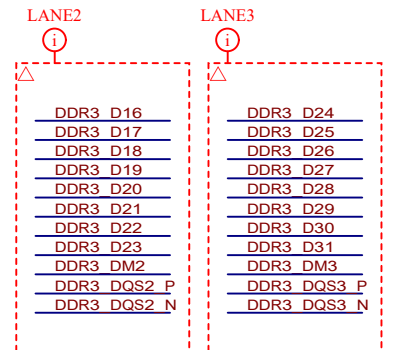
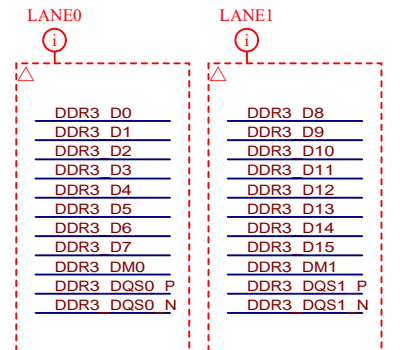
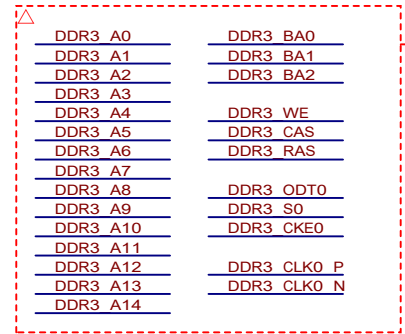
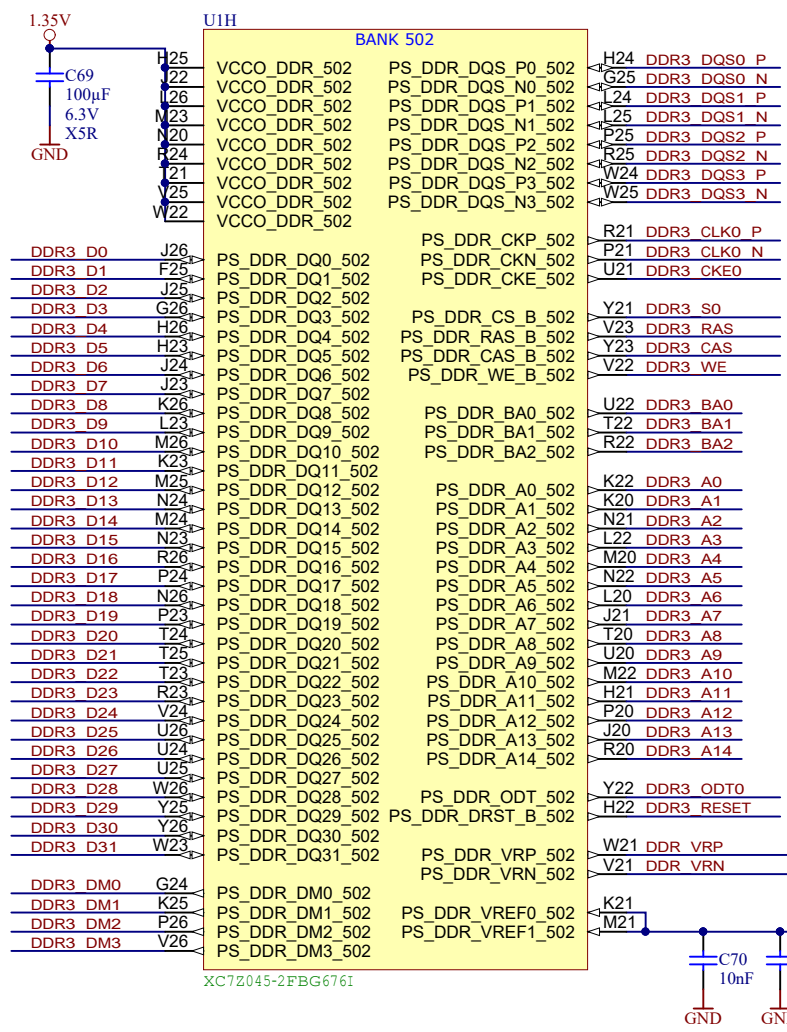
XC7Z045-2FBG6761

	Title: TE0745 - Zynq_B35		
	A4	Number: 12 92111-B	Rev. 02
	Date: 2016-04-28	Copyright: Trenz Electronic GmbH / TT	Page 12 of 25
	Filename: B35.SchDoc		





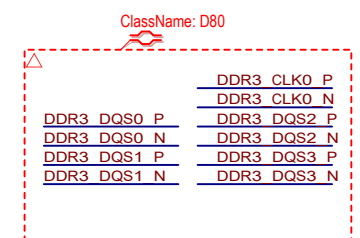
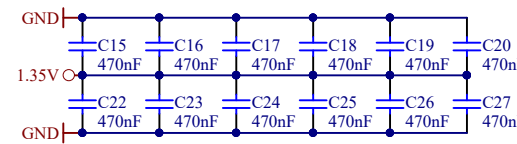
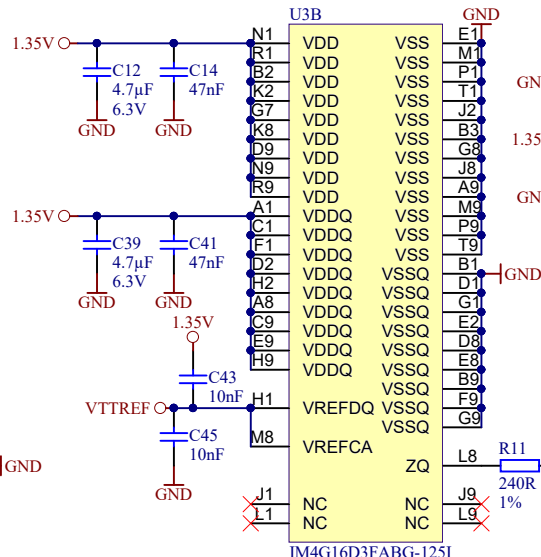
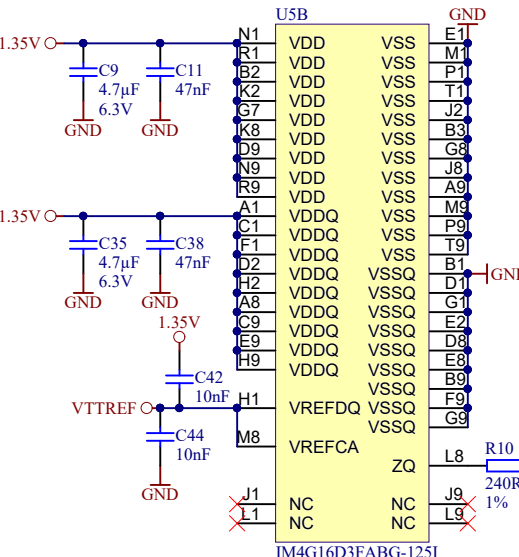
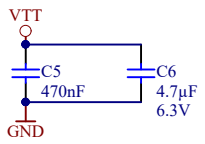
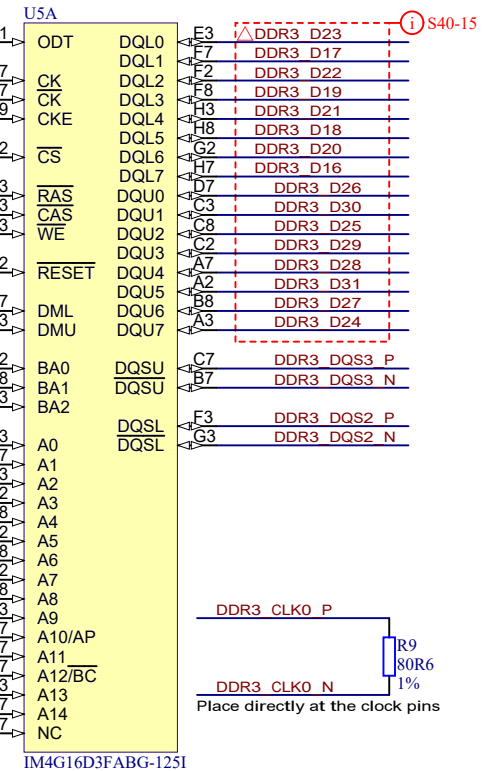
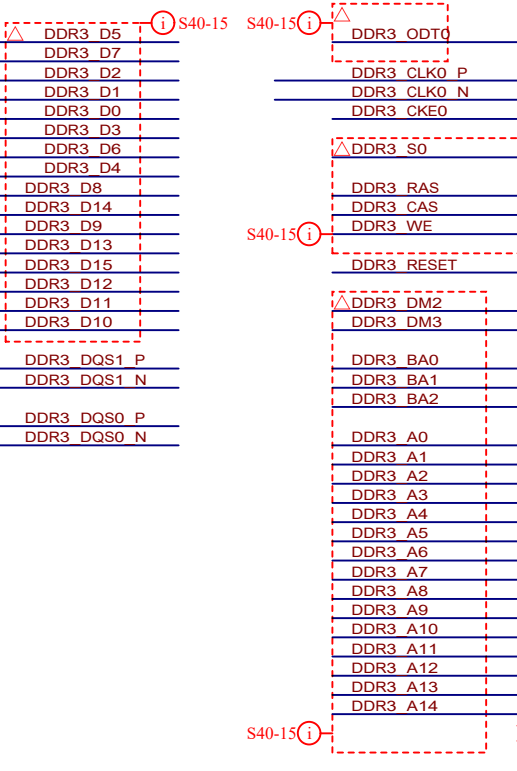
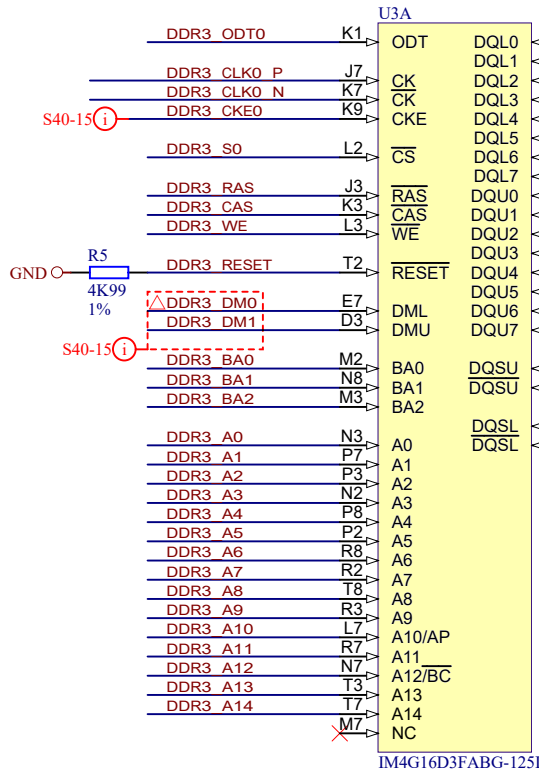
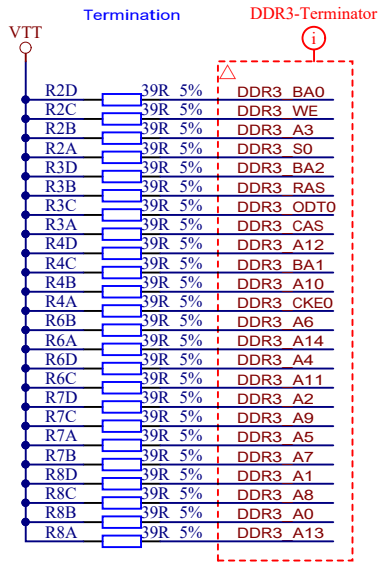
Title: TE0745 - Zynq_MIO_Banks		
A4	Number: 14 92111-B	Rev. 02
Date: 2016-04-28	Copyright: Trenz Electronic GmbH / TT	Page 14 of 25
Filename: MIO_B500.SchDoc		



Title: TE0745 - Zynq_PS_DDR		
A4	Number: 15 92111-B	Rev. 02
Date: 2016-04-28	Copyright: Trenz Electronic GmbH / TT	Page 15 of 25
Filename: PS-DDR.SchDoc		







Title: TE0745 - DDR3 RAM		
A4	Number: 17 92111-B	Rev. 02
Date: 2016-04-28	Copyright: Trenz Electronic GmbH	Page 17 of 25
Filename: DDR3-RAM.SchDoc		

1

2

3

4

A

A

B

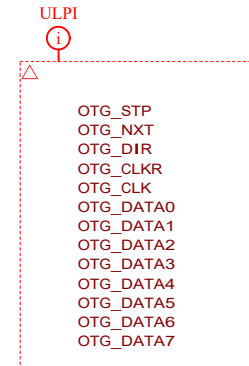
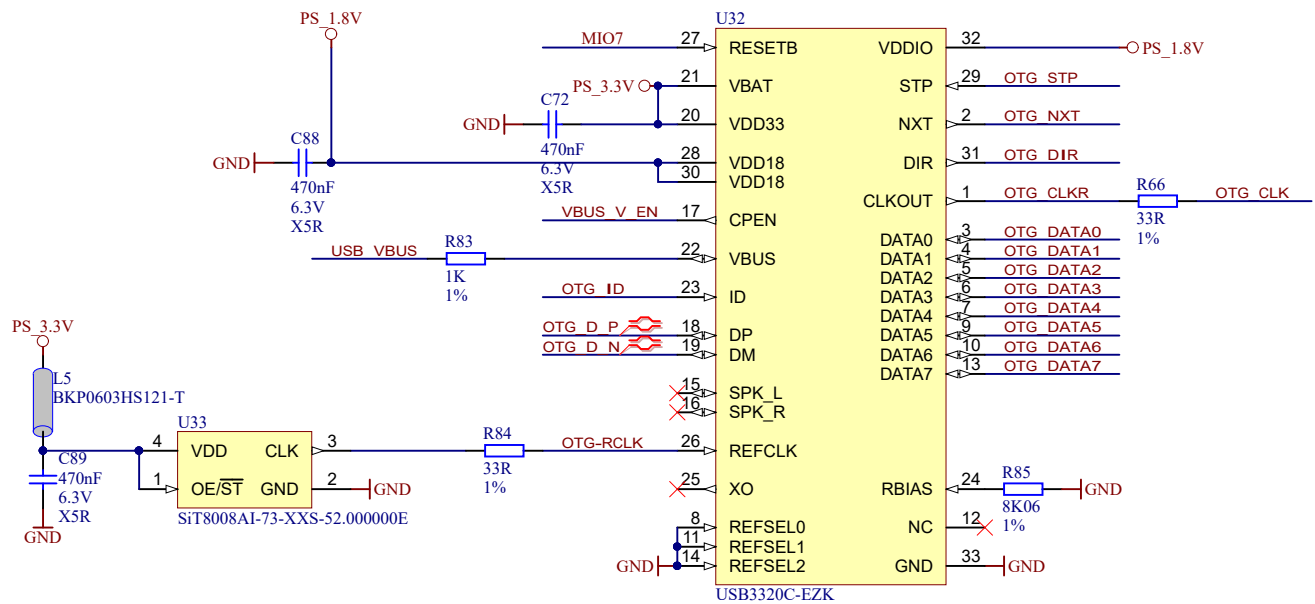
B

C

C

D

D



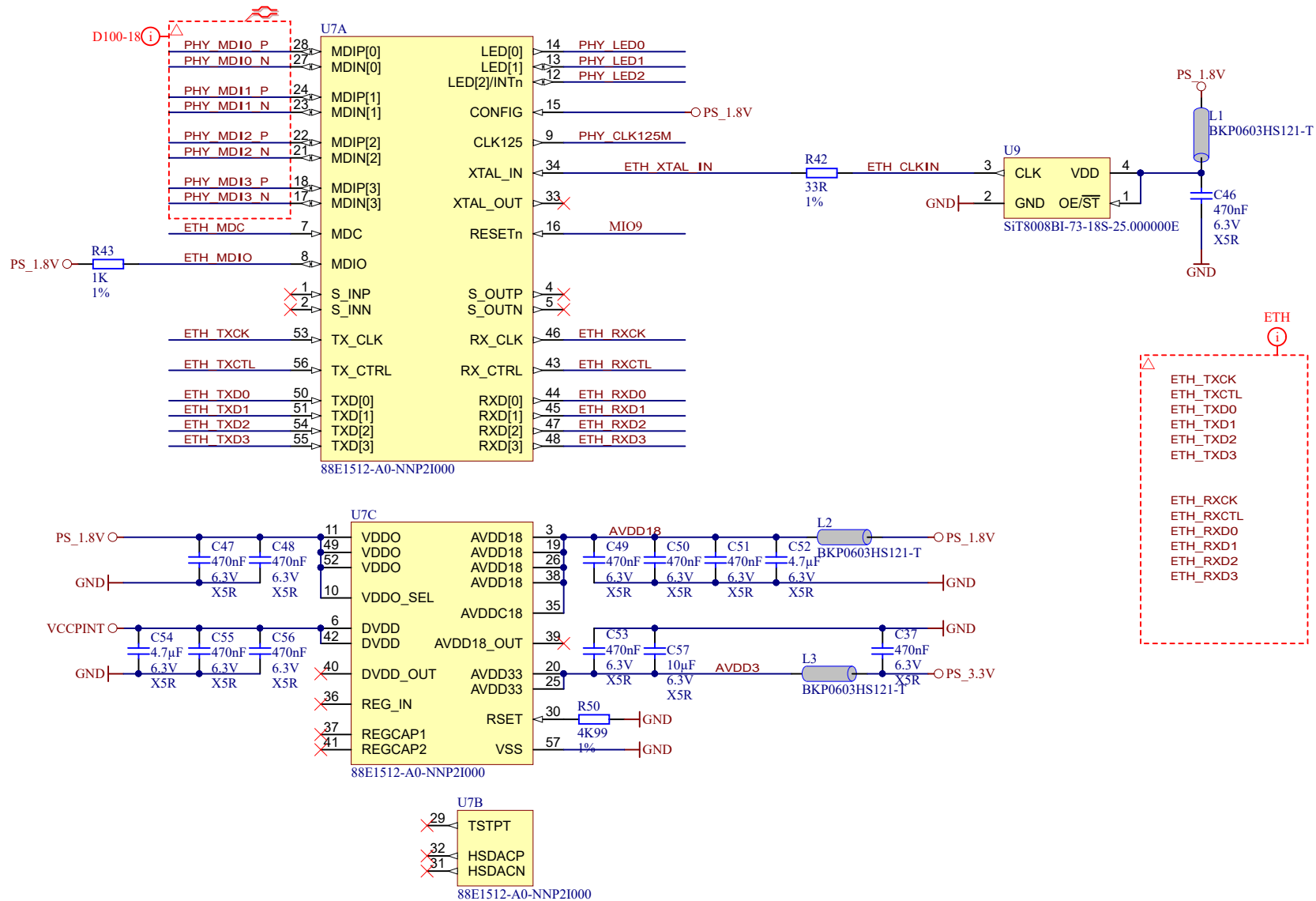
Title: TE0745 - USB_PHY		
A4	Number: 18 92111-B	Rev. 02
Date: 2016-04-28	Copyright: Trenz Electronic GmbH / TT	Page 18 of 25
Filename: USB-PHY.SchDoc		


1

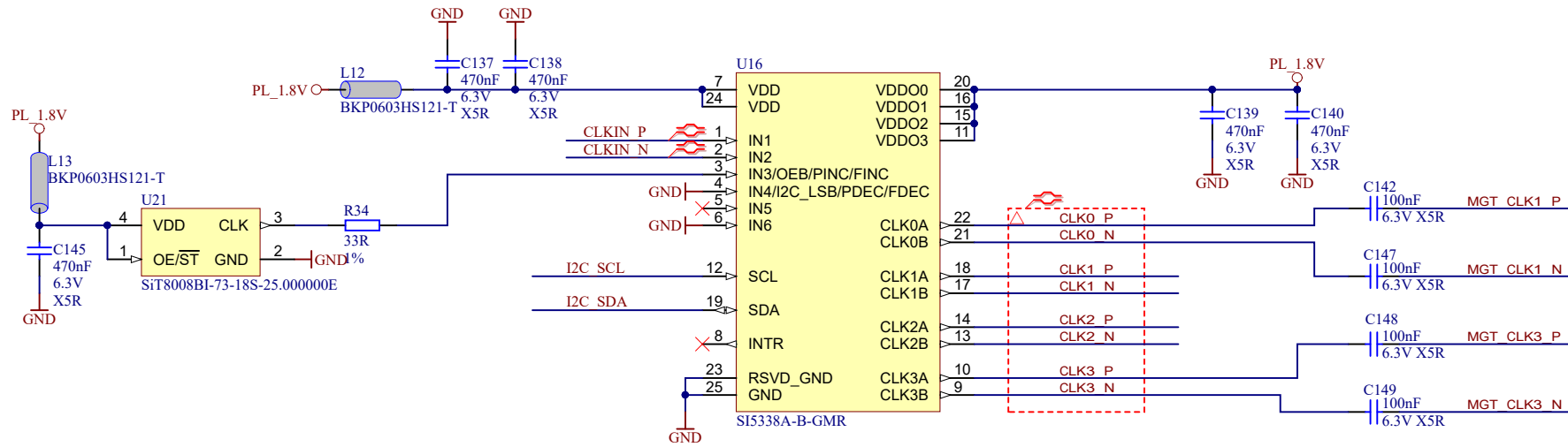
2

3


4

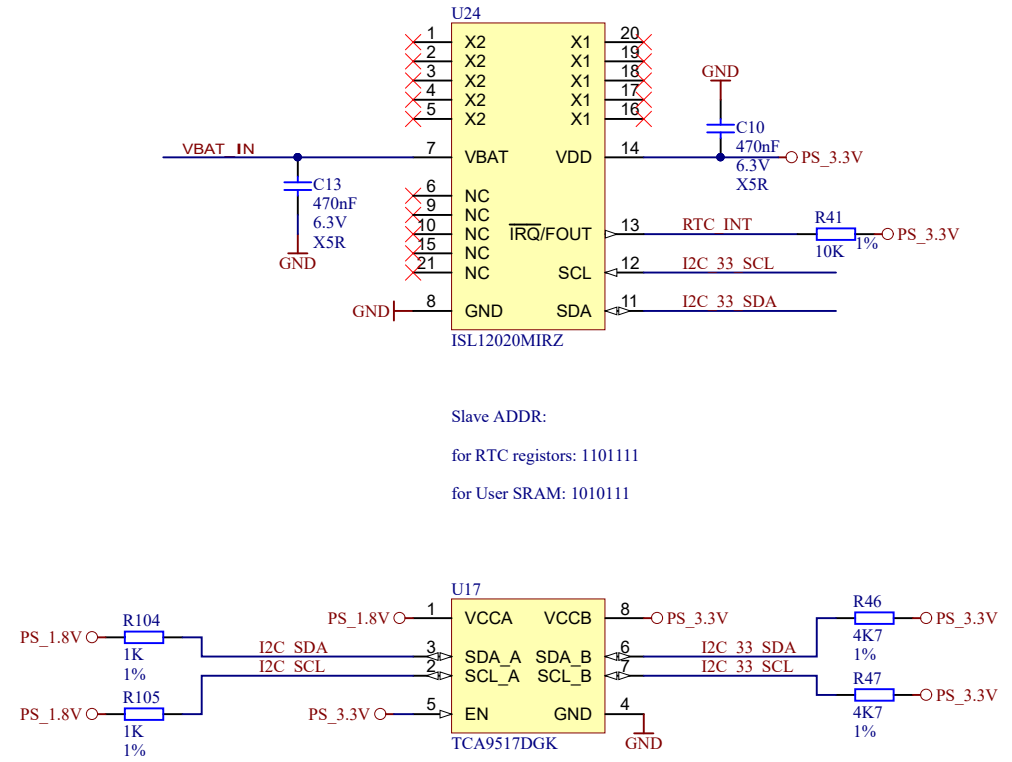


			Title: TE0745 - ETH_PHY	
			A4	Number: 19 92111-B
Date: 2016-04-28		Copyright: Trenz Electronic GmbH / TT		Page 19 of 25
Filename: ETH-PHY.SchDoc				



Slave ADDR:  
1110000 OR 1110001

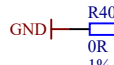
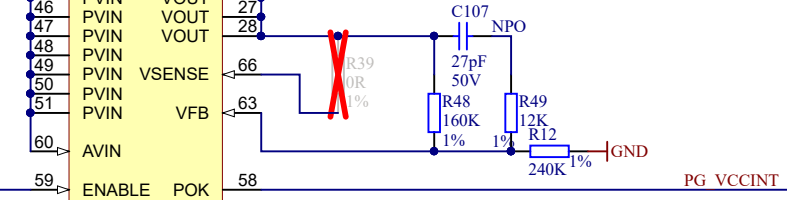
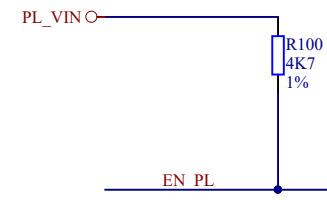
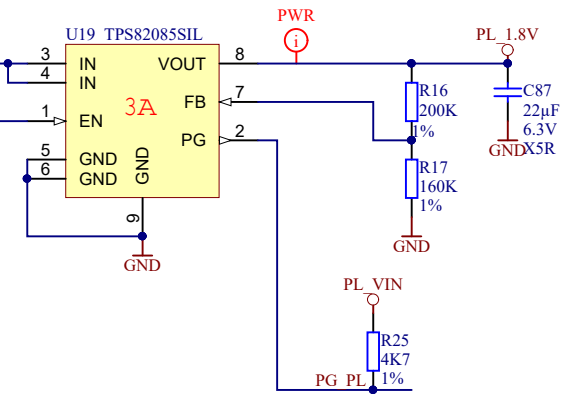
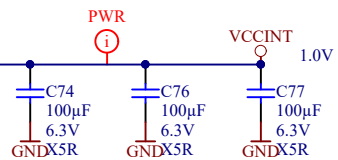
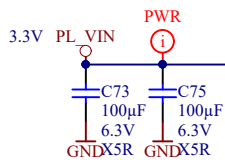
		Title: TE0745 - CLK	
		A4	Number: 20 92111-B
Date: 2016-04-28		Copyright: Trenz Electronic GmbH / TT	
Filename: CLK.SchDoc		Page 20 of 25	



Slave ADDR:  
 for RTC registers: 1101111  
 for User SRAM: 1010111

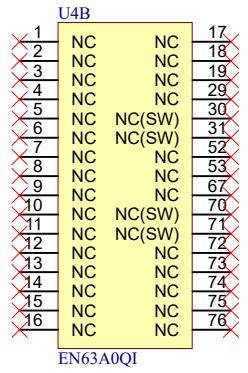
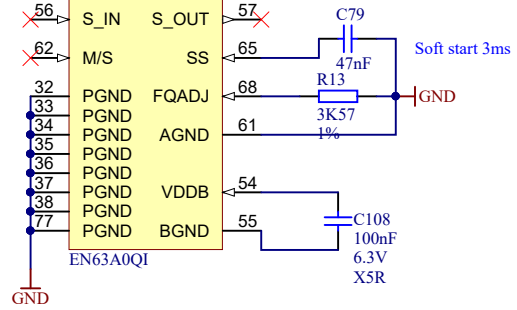


Title: TE0745 - RTC		
A4	Number: 21 92111-B	Rev. 02
Date: 2016-04-28	Copyright: Trenz Electronic GmbH / TT	Page21 of 25
Filename: SENSOR-RTC.SchDoc		

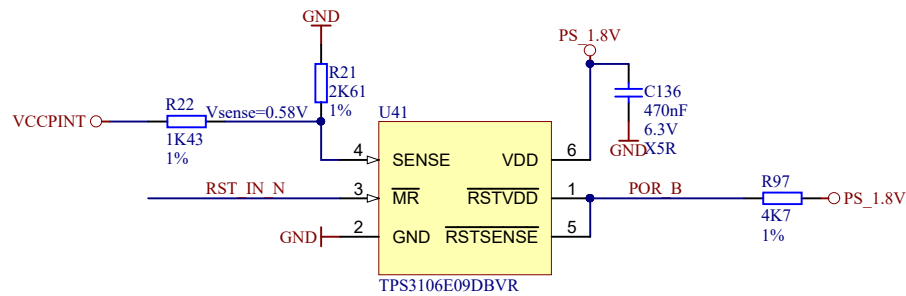
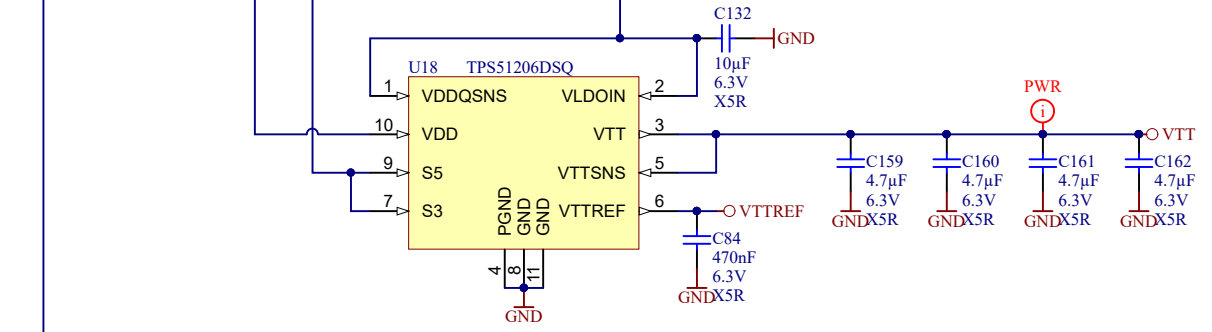
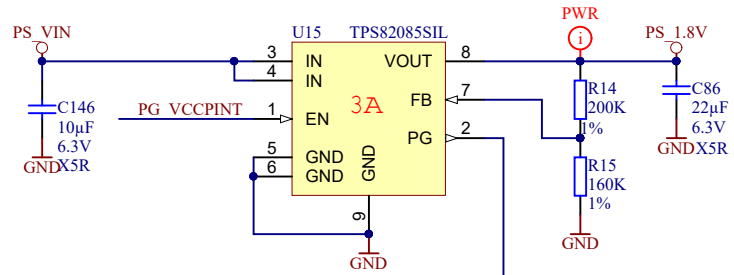
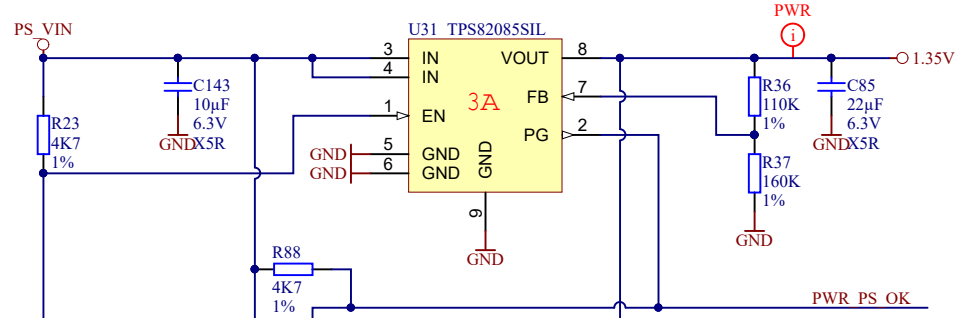
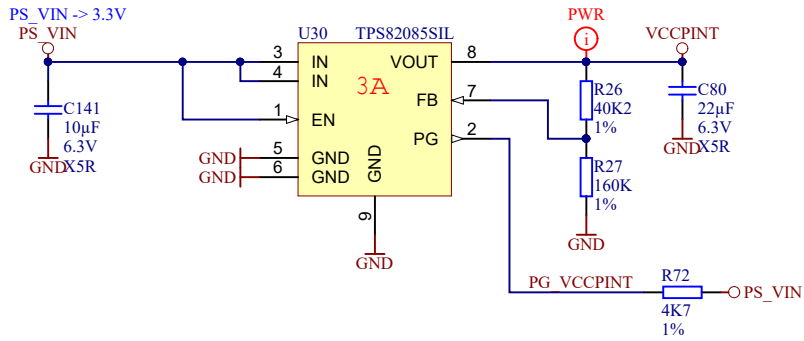


**Pre-bias assembly option**

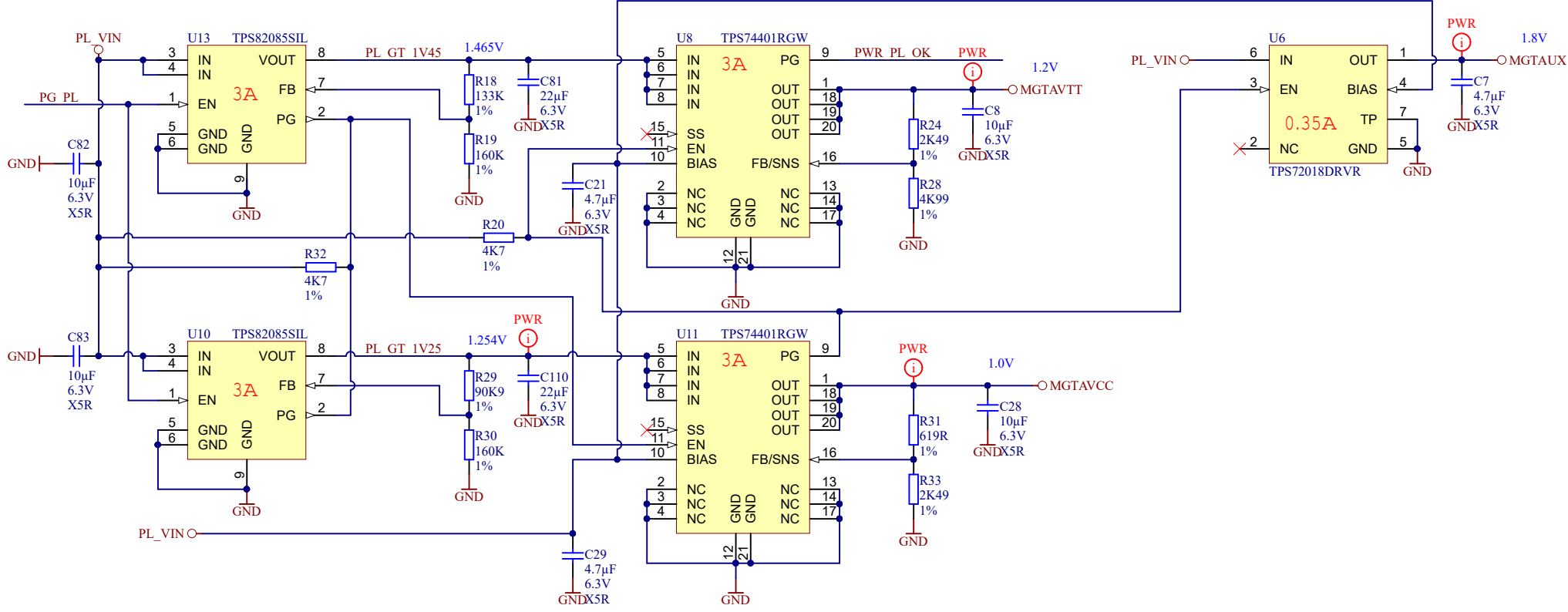
R39	R40	MODE	EN63A0QI
OK	X		enable pre-bias start-up
X	OK		disable pre-bias start-up



Title: <b>TE0745 - Power</b>		
A4	Number: <b>22</b> <b>92111-B</b>	Rev. <b>02</b>
Date: <b>2016-04-28</b>	Copyright: <b>Trenz Electronic GmbH / TT</b>	Page <b>22</b> of <b>25</b>
Filename: <b>POWER.SchDoc</b>		



Title: TE0745 - Power2		
A4	Number: 23 92111-B	Rev. 02
Date: 2016-04-28	Copyright: Trenz Electronic GmbH / TT	Page23 of 25
Filename: POWER_2.SchDoc		



Title: TE0745 - Power3		
A4	Number: 24 92111-B	Rev. 02
Date: 2016-04-28	Copyright: Trenz Electronic GmbH / TT	Page24 of 25
Filename: POWER_3.SchDoc		



