

1

2

3

4

CHANGES REV01 to REV02

- 1) MAC EEPROM Address patch fixed on PCB
- 2) lib components update

A

A

B

B


C

C

D

D

Assembly variant	92I31-A
Created by	MR
Modified by	MR
Modified at	2021-02-19
SVN Version	8496

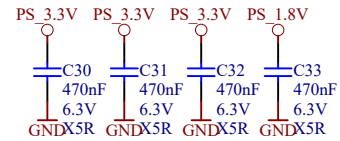
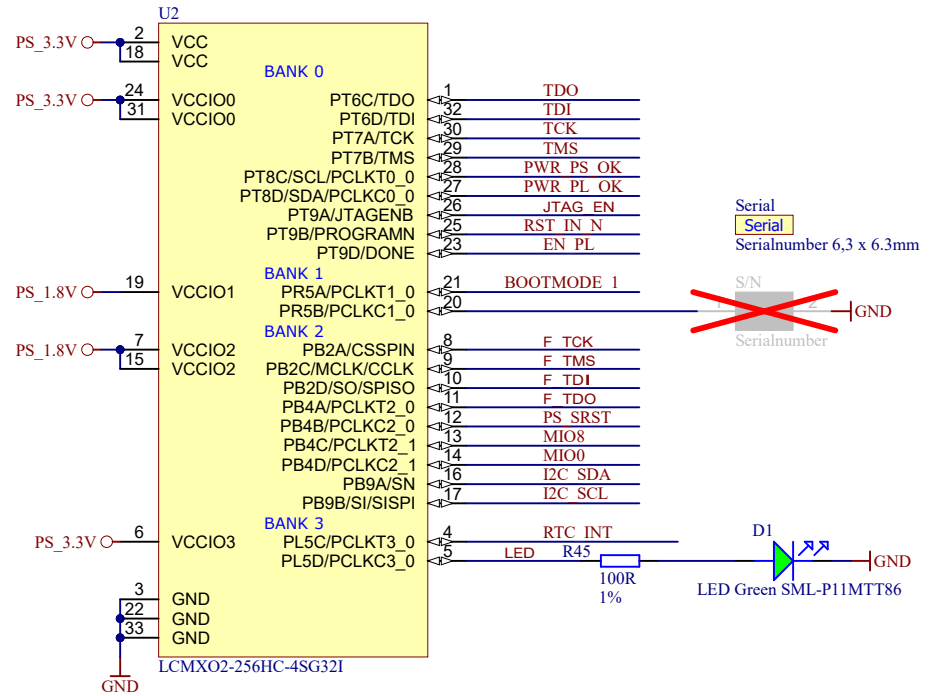
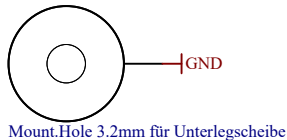
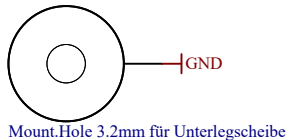
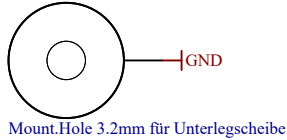
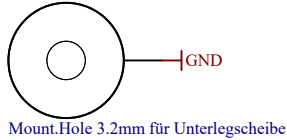
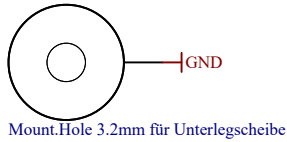
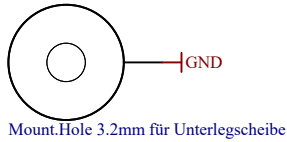
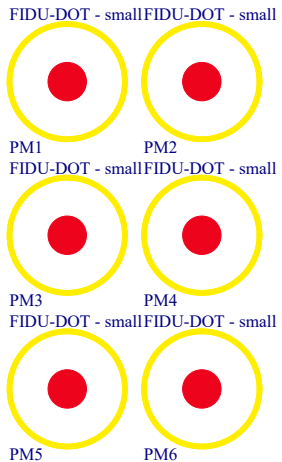
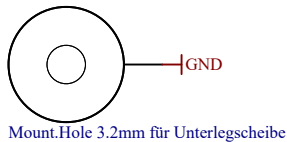
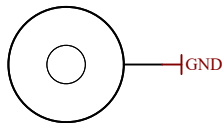
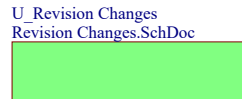
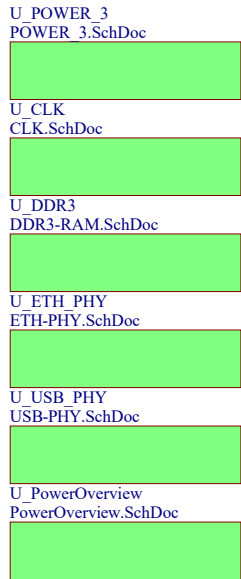
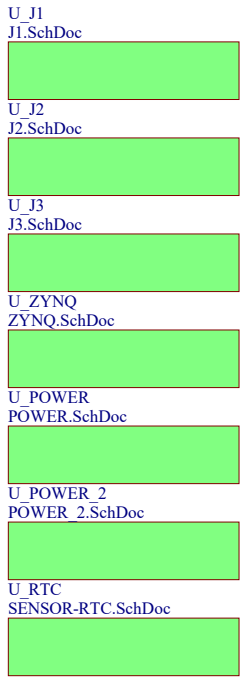
	Title: TE0745		
	A4	Number: 1 92I31-A	Rev. 02
	Date: 2016-04-28	Copyright: Trenz Electronic GmbH / TT	Page1 of 25
	Filename: Revision Changes.SchDoc		

1

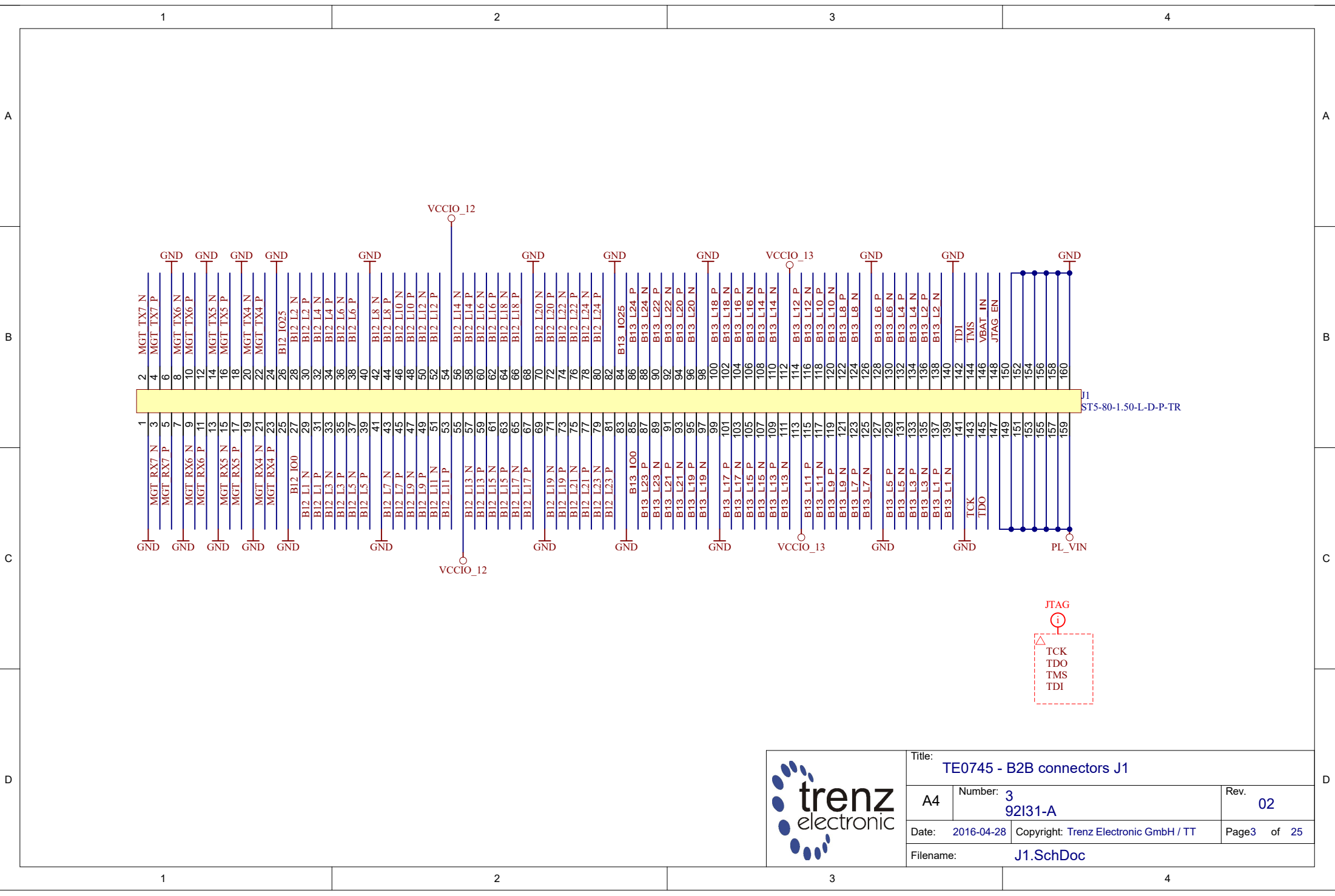
2


3

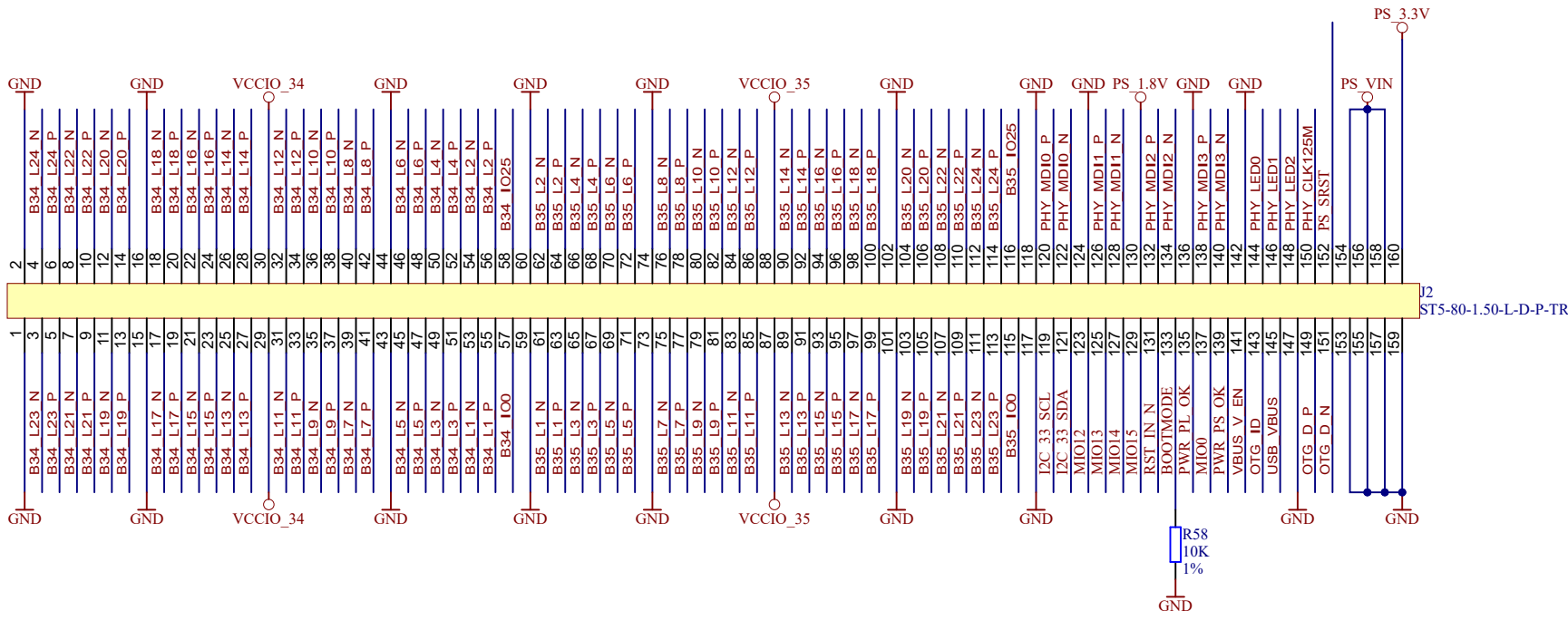
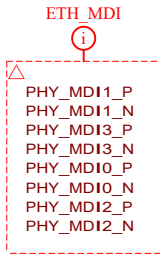

4



		Title: TE0745	
		A4	Number: 2 92131-A
Date: 2016-04-28		Copyright: Trenz Electronic GmbH / TT	
Page 2 of 25		Page 2 of 25	
Filename: TE0745.SchDoc			

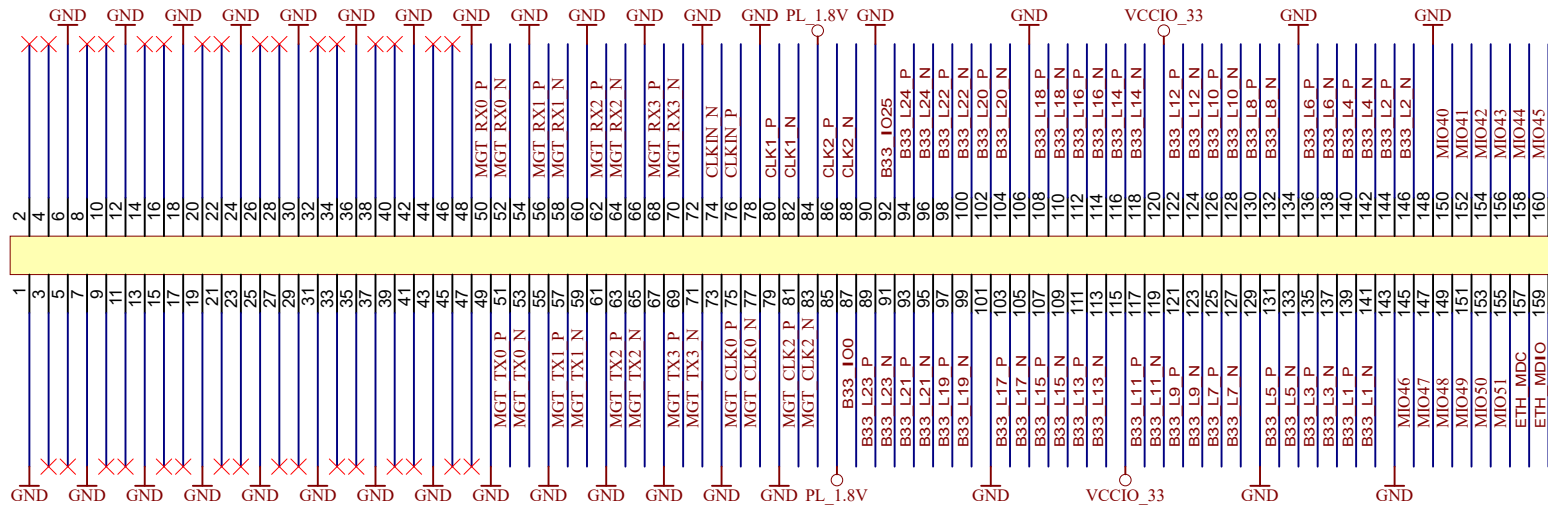


		Title: TE0745 - B2B connectors J1	
		A4	Number: 3 92I31-A
Date: 2016-04-28		Copyright: Trenz Electronic GmbH / TT	
Filename: J1.SchDoc		Page3 of 25	





Title: TE0745 - B2B connectors J2		
A4	Number: 4 92I31-A	Rev. 02
Date: 2016-04-28	Copyright: Trenz Electronic GmbH / TT	Page4 of 25
Filename: J2.SchDoc		

RESERVED for additional 8 GTX lanes



U3
ST5-80-1.50-L-D-P-TR



Title: TE0745 - B2B connectors J3		
A4	Number: 5 92I31-A	Rev. 02
Date: 2016-04-28	Copyright: Trenz Electronic GmbH / TT	Page5 of 25
Filename: J3.SchDoc		

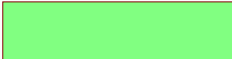
1

2

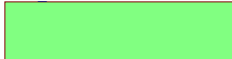
3

4

U_B12
B12.SchDoc



U_B500
MIO_B500.SchDoc



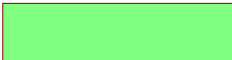
U_B13
B13.SchDoc



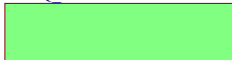
U_PS_DDR
PS-DDR.SchDoc



U_B33
B33.SchDoc



U_MISC
ZYNQ_MISC.SchDoc



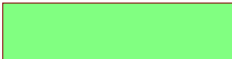
U_B34
B34.SchDoc



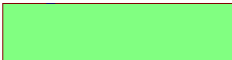
U_ZYNQ_POWER
ZYNQ_POWER.SchDoc



U_B35
B35.SchDoc



U_FPGA_MGT
FPGA_MGT.SchDoc



A

A

B

B

C

C

D


D

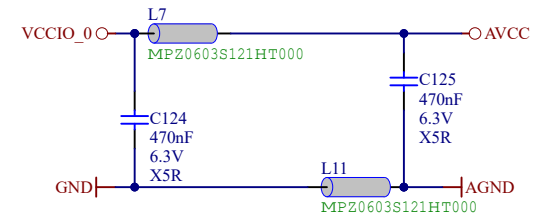
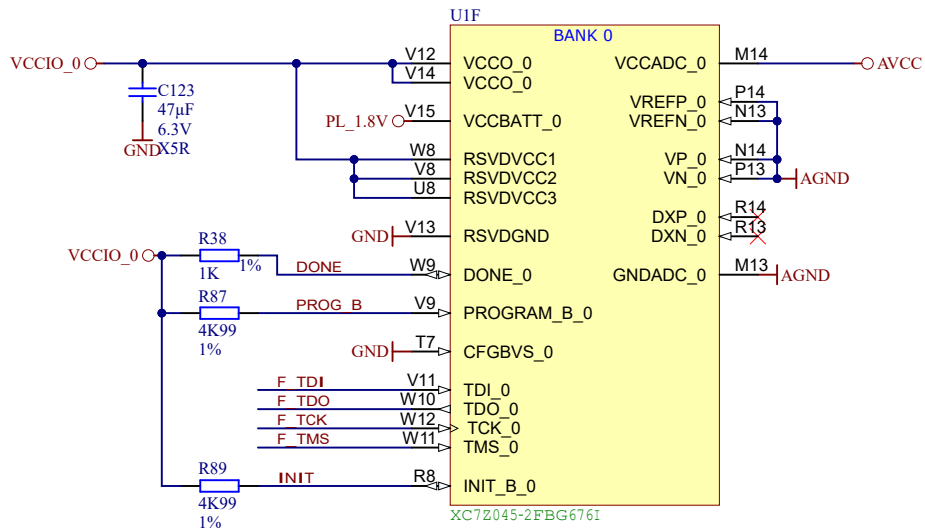
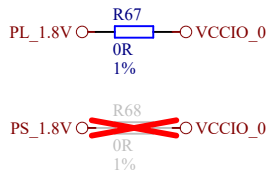
1

2

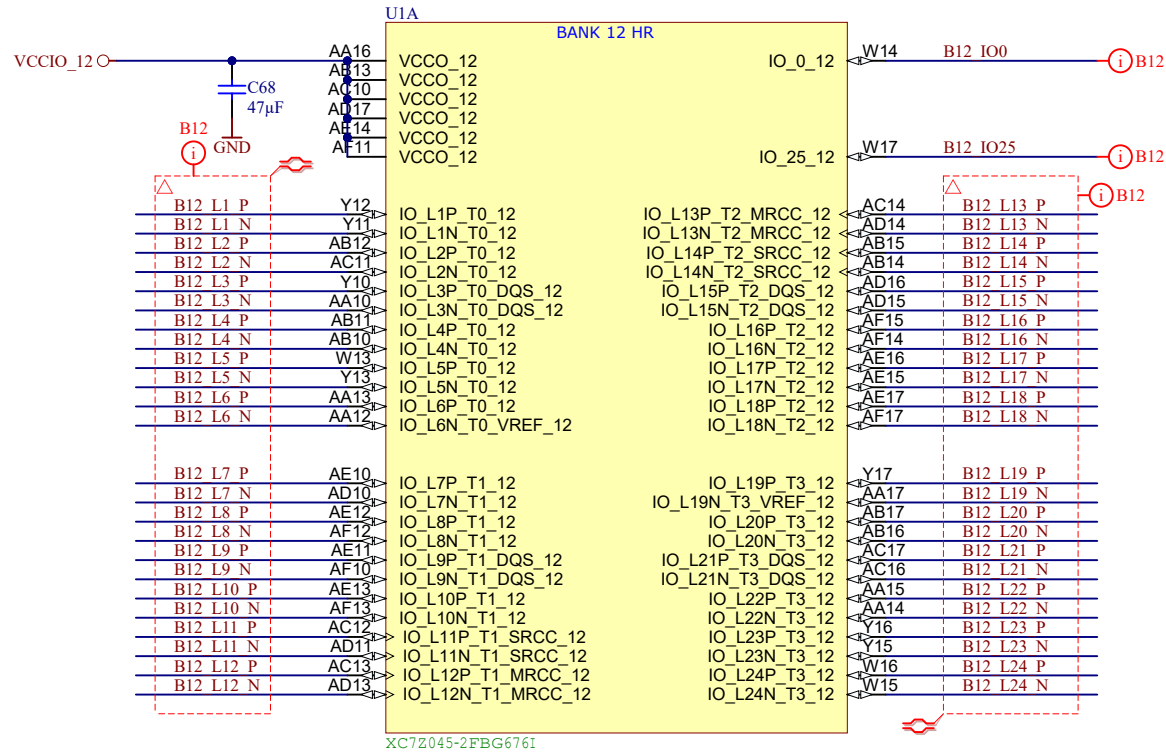
3

4

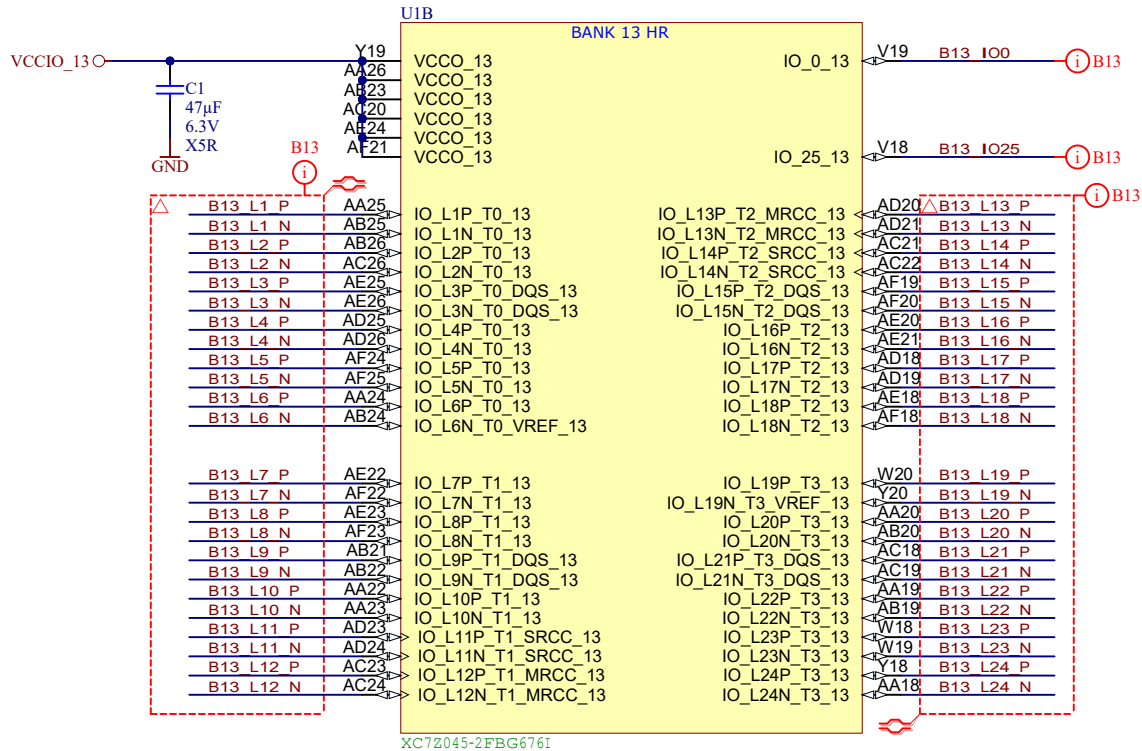
	Title: TE0745 - Zynq		
	A4	Number: 6 92I31-A	Rev. 02
	Date: 2016-04-28	Copyright: Trenz Electronic GmbH / TT	Page6 of 25
	Filename: ZYNQ.SchDoc		



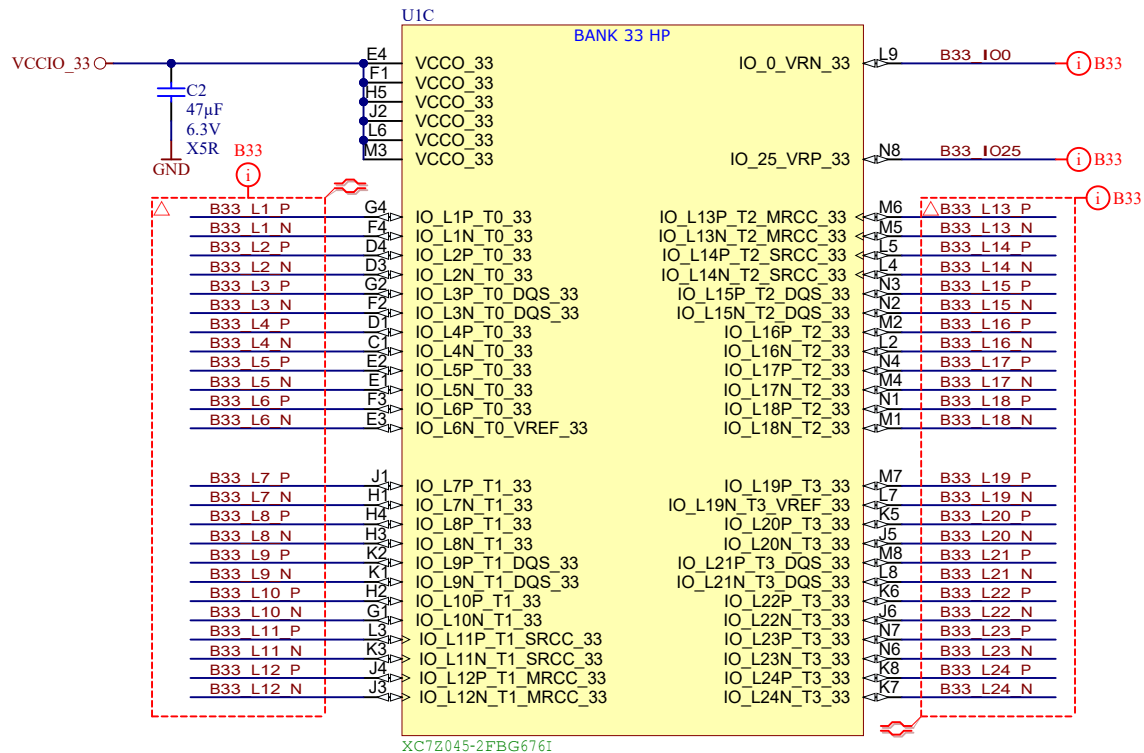
	Title: TE0745 - Zynq_MISC		
	A4	Number: 7 92131-A	Rev. 02
	Date: 2016-04-28	Copyright: Trenz Electronic GmbH / TT	Page 7 of 25
	Filename: ZYNQ_MISC.SchDoc		



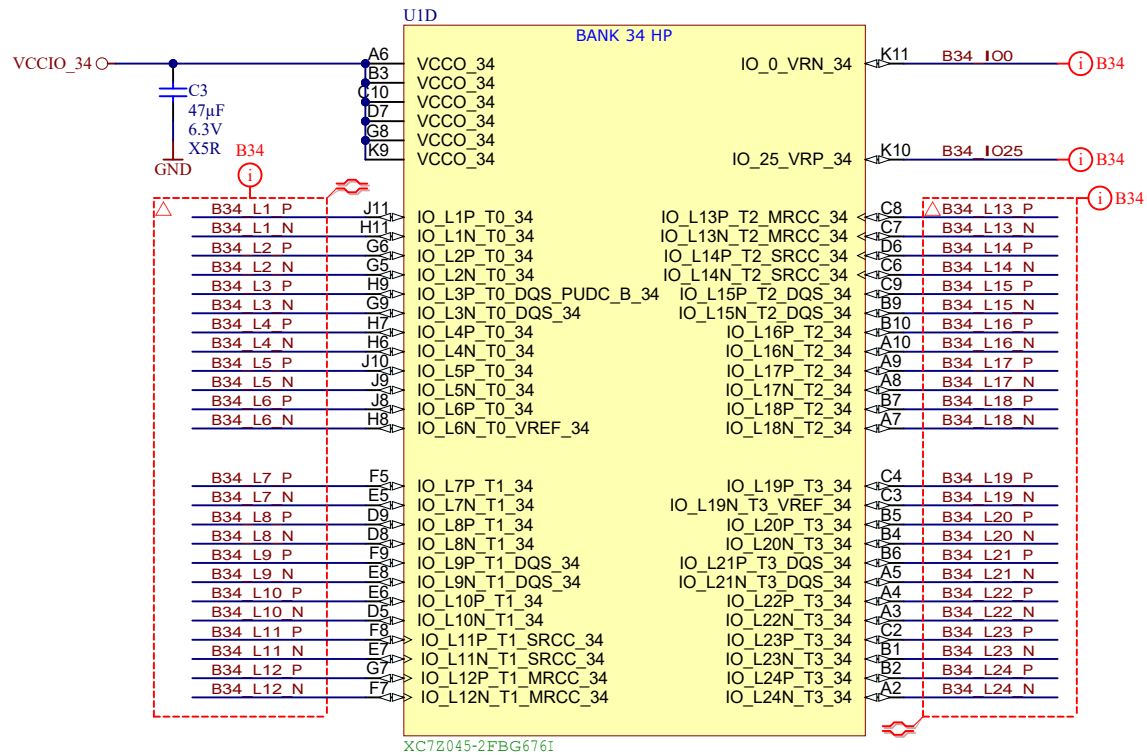
Title: TE0745 - Zynq_B12		
A4	Number: 8 92I31-A	Rev. 02
Date: 2016-04-28	Copyright: Trenz Electronic GmbH / TT	Page 8 of 25
Filename: B12.SchDoc		



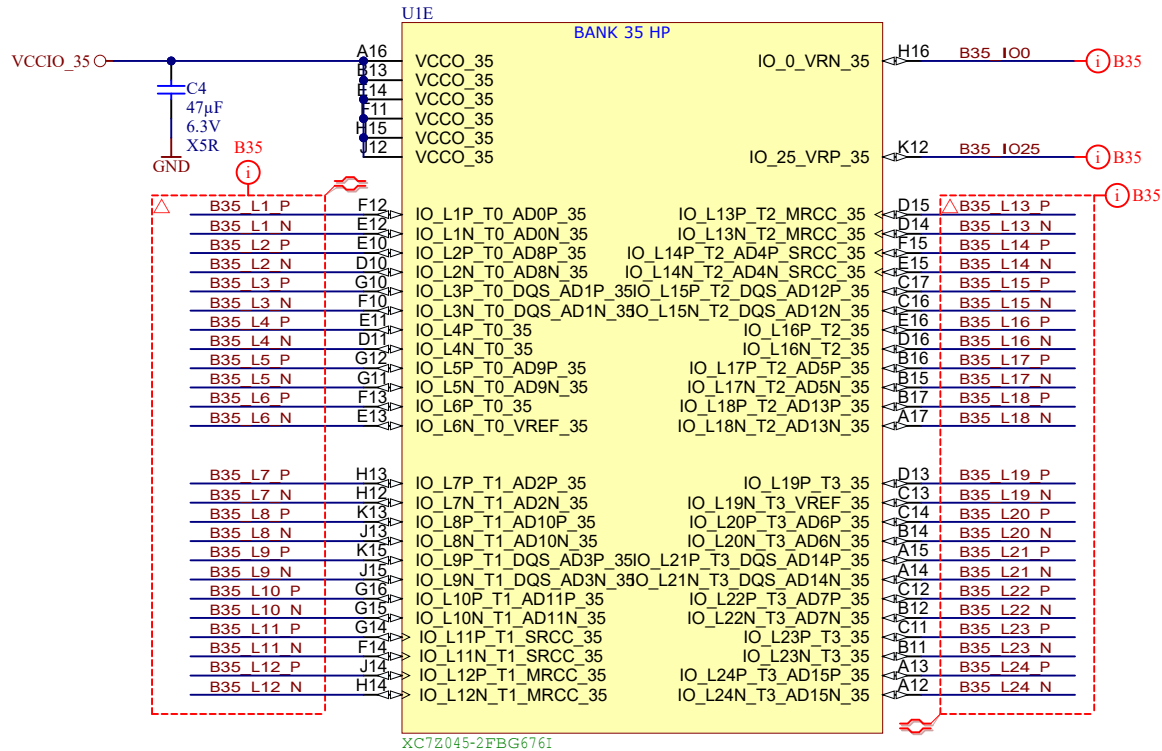
Title: TE0745 - Zynq_B13		
A4	Number: 9 92I31-A	Rev. 02
Date: 2016-04-28	Copyright: Trenz Electronic GmbH / TT	Page9 of 25
Filename: B13.SchDoc		



Title: TE0745 - Zynq_B33		
A4	Number: 10 92I31-A	Rev. 02
Date: 2016-04-28	Copyright: Trenz Electronic GmbH / TT	Page 10 of 25
Filename: B33.SchDoc		



Title: TE0745 - Zynq_B34		
A4	Number: 11 92I31-A	Rev. 02
Date: 2016-04-28	Copyright: Trenz Electronic GmbH / TT	Page 11 of 25
Filename: B34.SchDoc		



Title: TE0745 - Zynq_B35		
A4	Number: 12 92I31-A	Rev. 02
Date: 2016-04-28	Copyright: Trenz Electronic GmbH / TT	Page 12 of 25
Filename: B35.SchDoc		

1

2

3

4

A

B

C

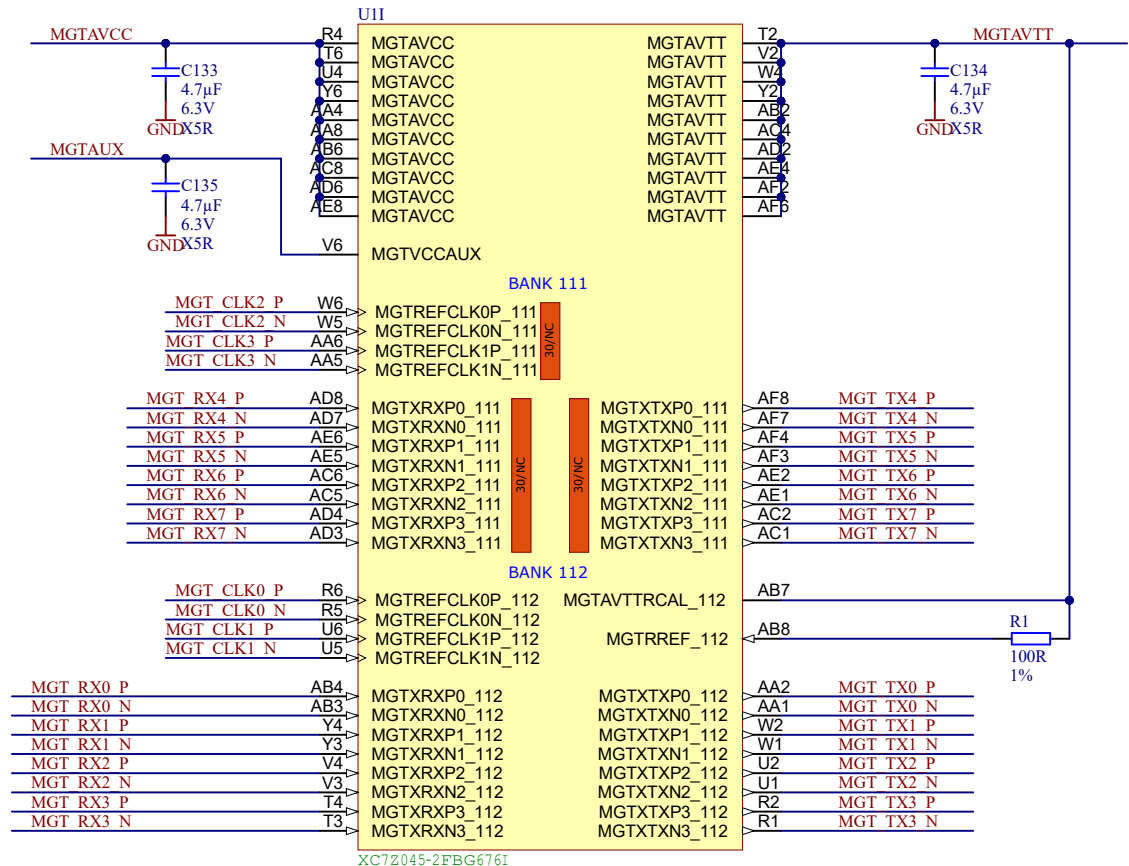
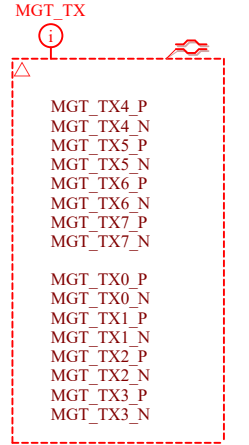
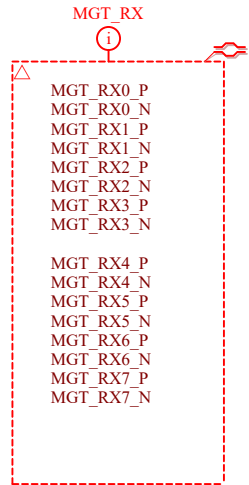
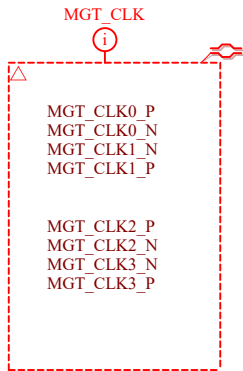
D

A

B

C

D



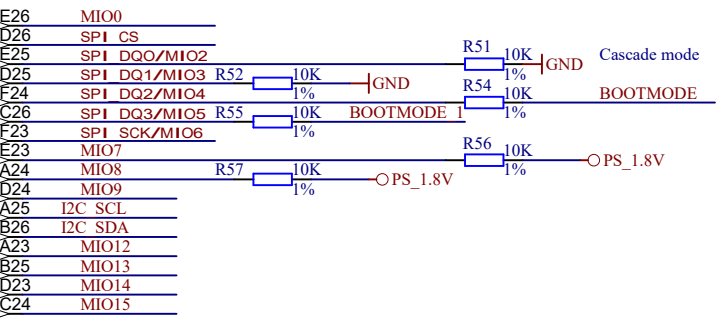
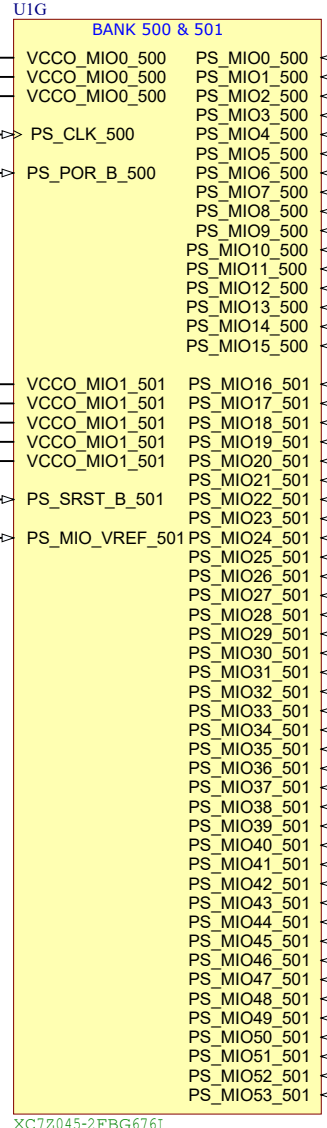
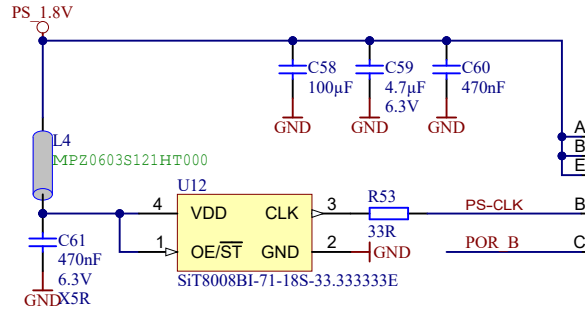
Title: TE0745 - Zynq_MGT		Rev. 02
A4	Number: 13 92131-A	
Date: 2016-04-28	Copyright: Trenz Electronic GmbH / TT	Page13 of 25
Filename: FPGA_MGT.SchDoc		

1

2

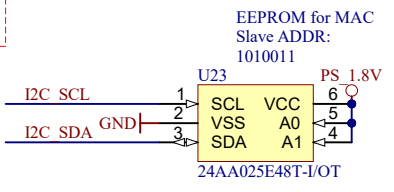
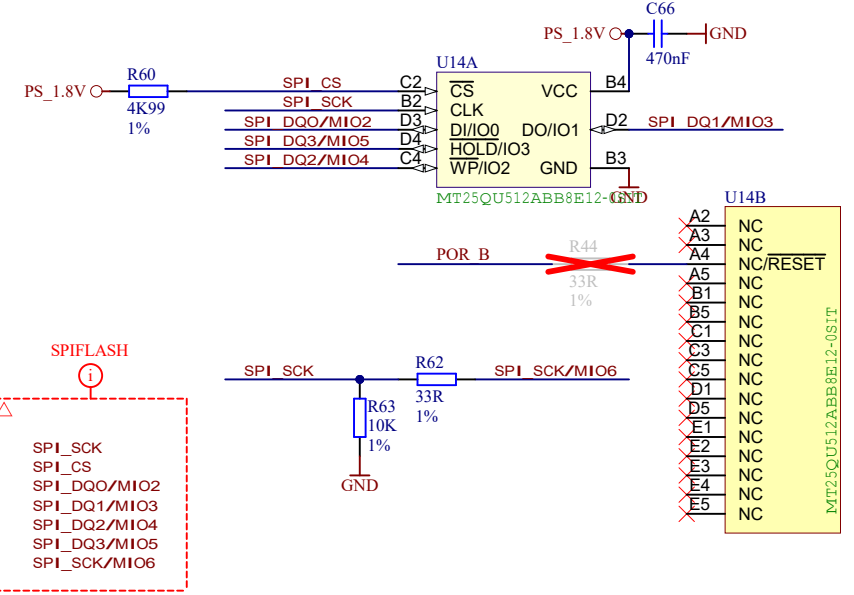
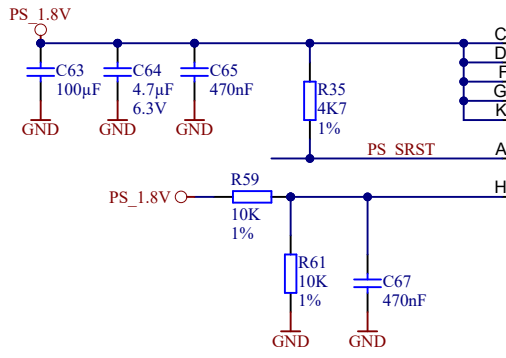
3

4

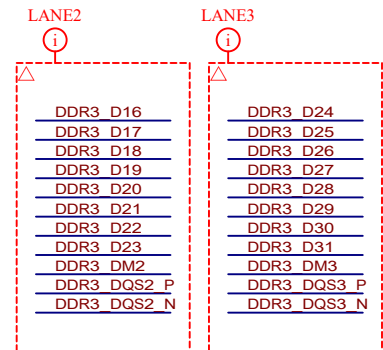
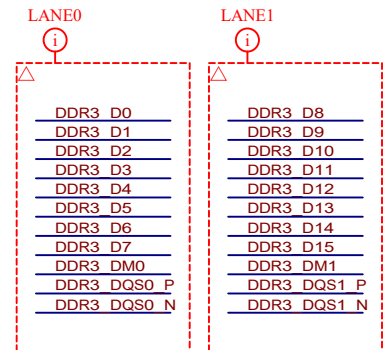
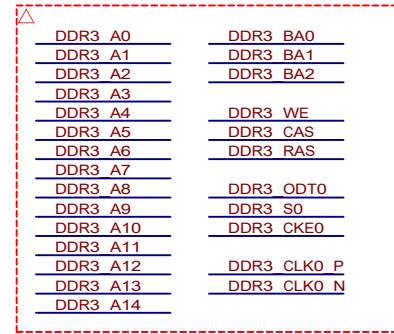
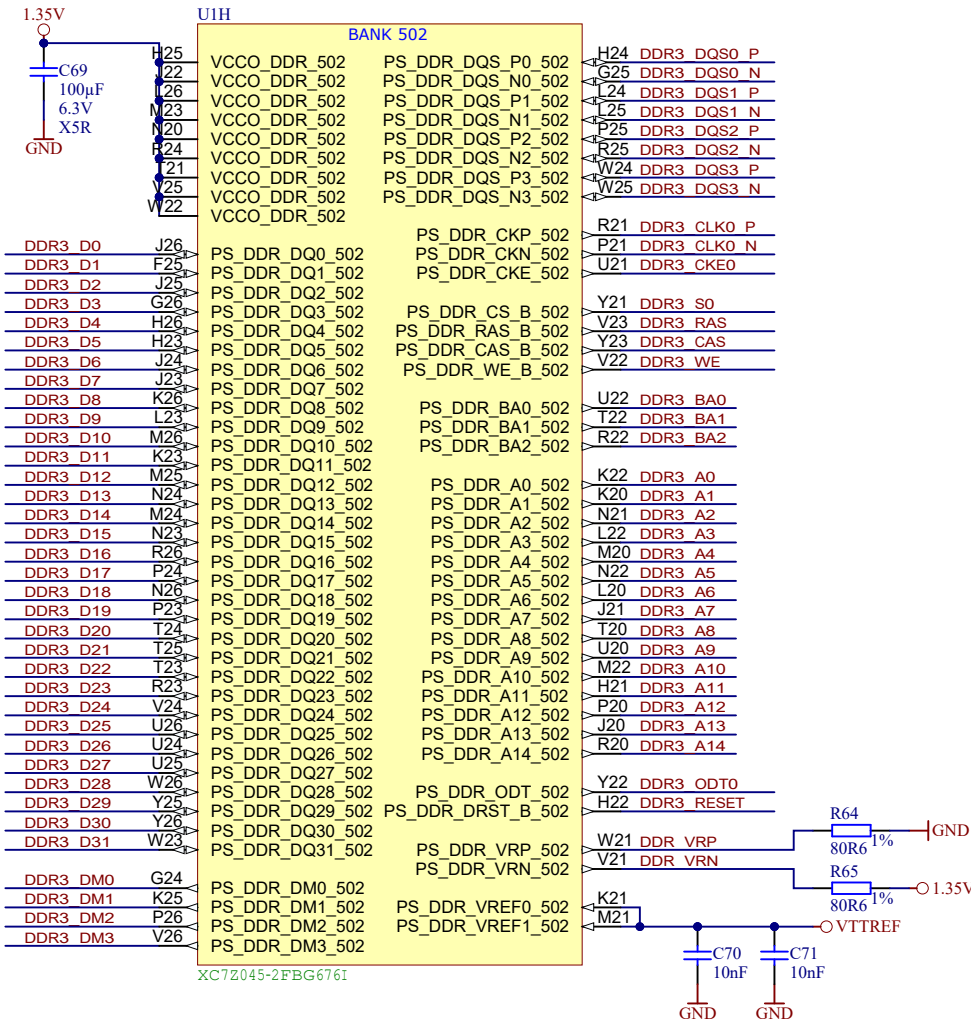


MIO Bank Voltage	MIO7 Bank0	MIO8 Bank1
2.5V, 3.3V	0	0
1.8V	1	1

BOOT MODE	MIO5 MIO4	MIO3
JTAG Boot Mode	0	0
NOR Boot	0	1
NAND	0	1
Quad-SPI	1	0
SD Card	1	1

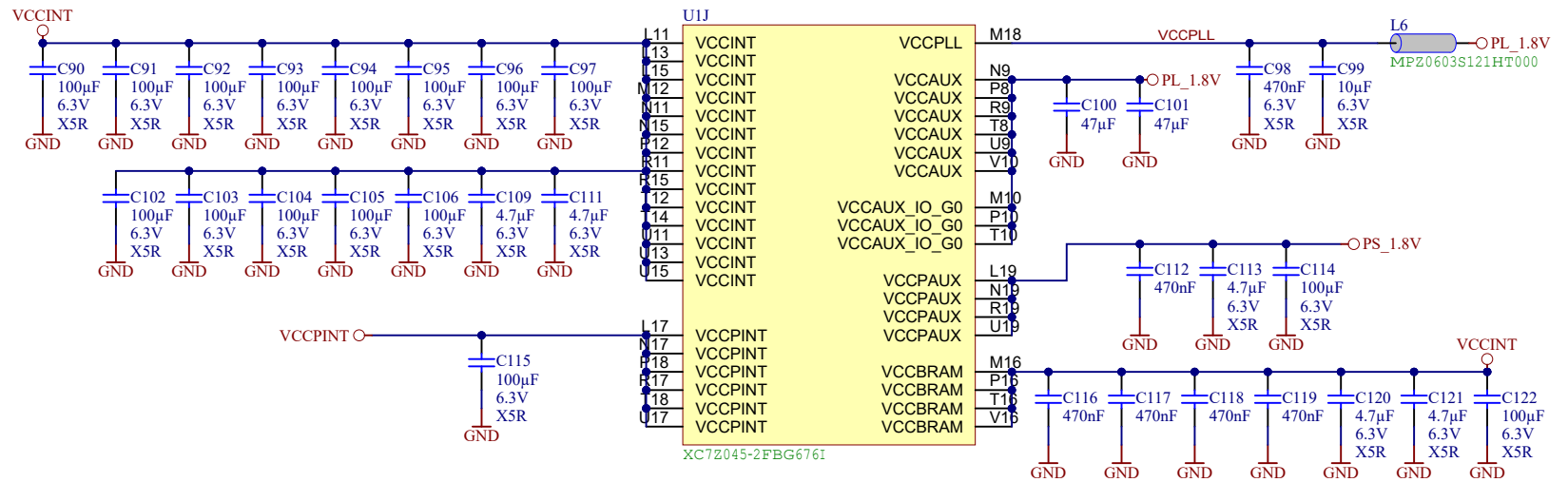
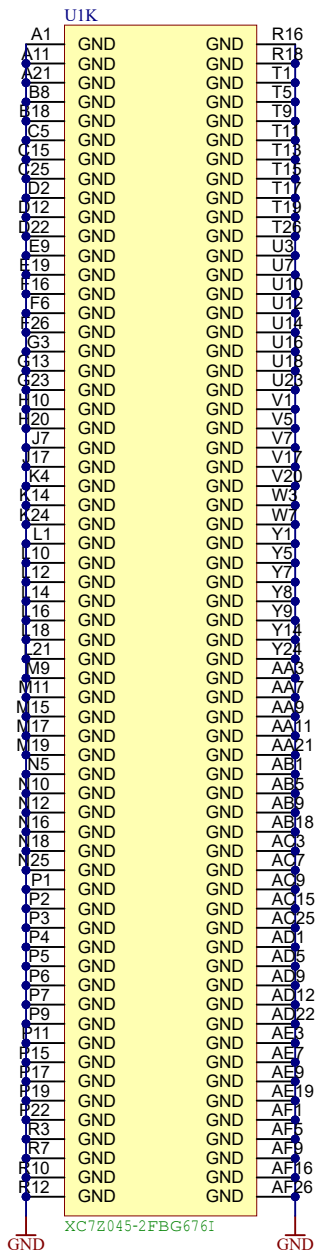


Title: TE0745 - Zynq_MIO_Banks		
A4	Number: 14 92131-A	Rev. 02
Date: 2016-04-28	Copyright: Trenz Electronic GmbH / TT	Page 14 of 25
Filename: MIO_B500.SchDoc		



Title: TE0745 - Zynq_PS_DDR

A4	Number: 15 92131-A	Rev. 02
Date: 2016-04-28	Copyright: Trenz Electronic GmbH / TT	
Filename: PS-DDR.SchDoc		Page 15 of 25



Title: TE0745 - Zynq_Power		
A4	Number: 16 92131-A	Rev. 02
Date: 2016-04-28	Copyright: Trenz Electronic GmbH / TT	Page 16 of 25
Filename: ZYNC_POWER.SchDoc		

A

A

B

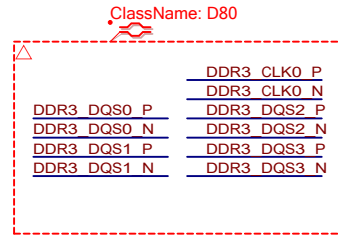
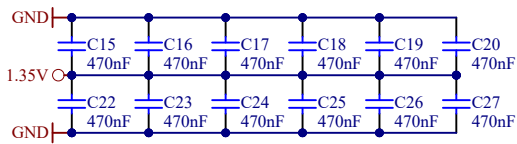
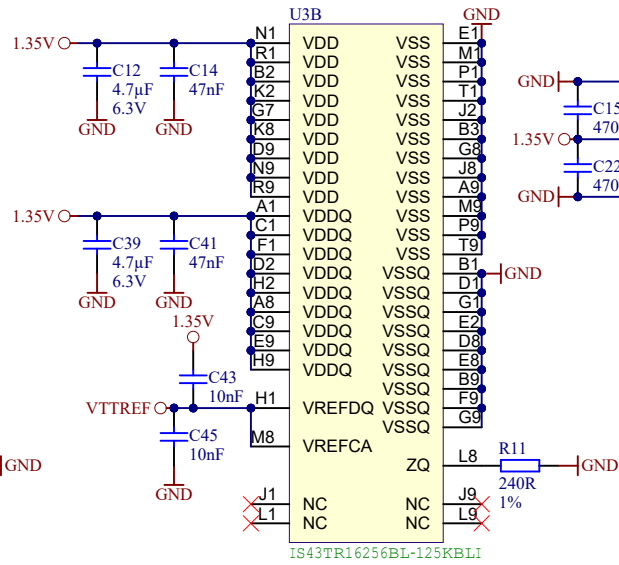
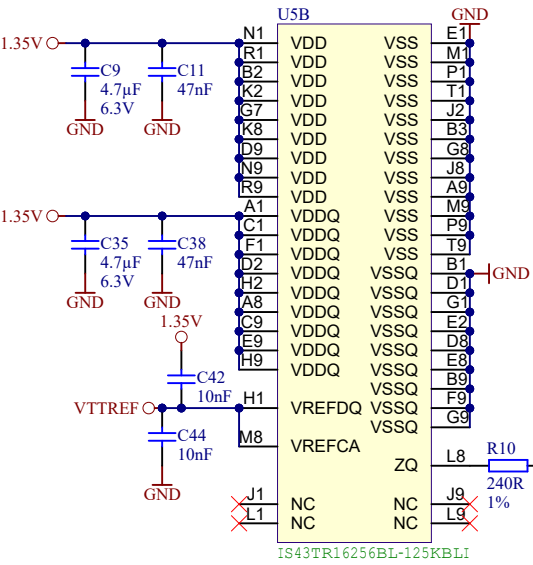
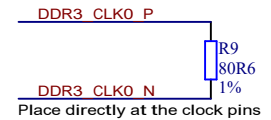
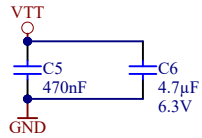
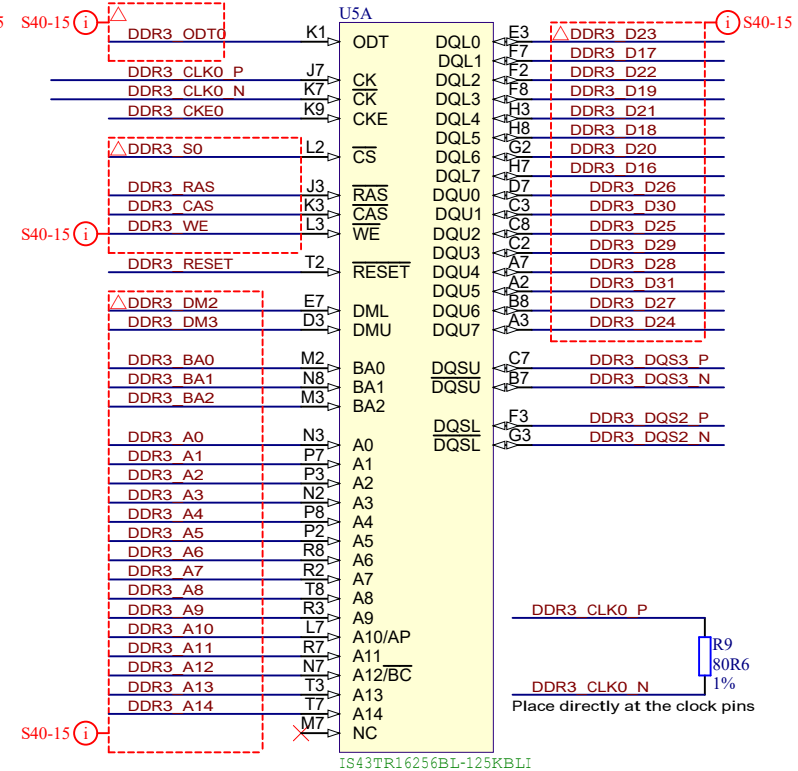
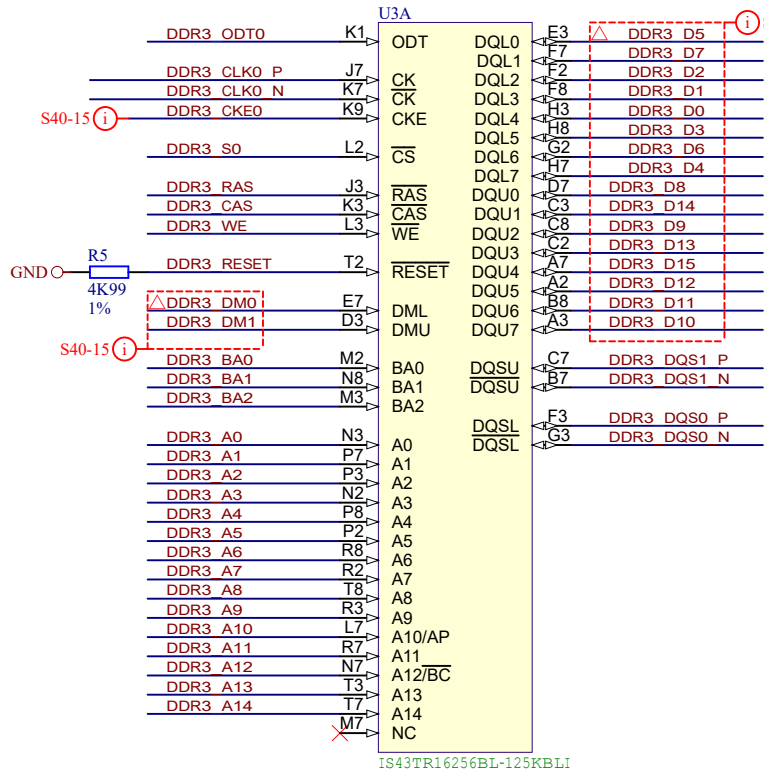
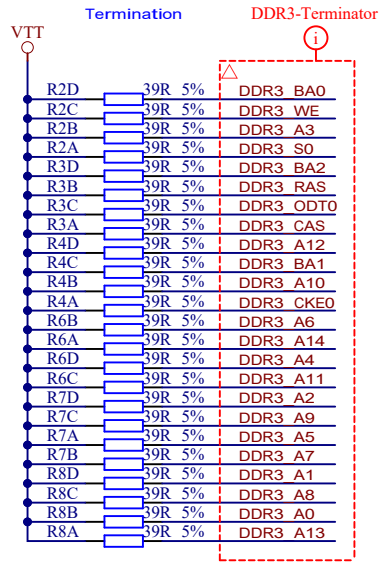
B

C

C

D

D



Title: TE0745 - DDR3 RAM		
A4	Number: 17 92131-A	Rev. 02
Date: 2016-04-28	Copyright: Trenz Electronic GmbH	Page 17 of 25
Filename: DDR3-RAM.SchDoc		

1

2

3

4

A

A

B

B

C

C

D

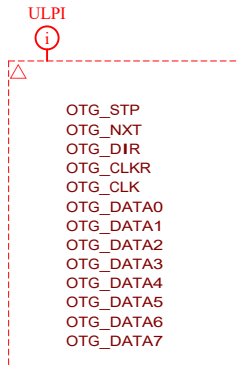
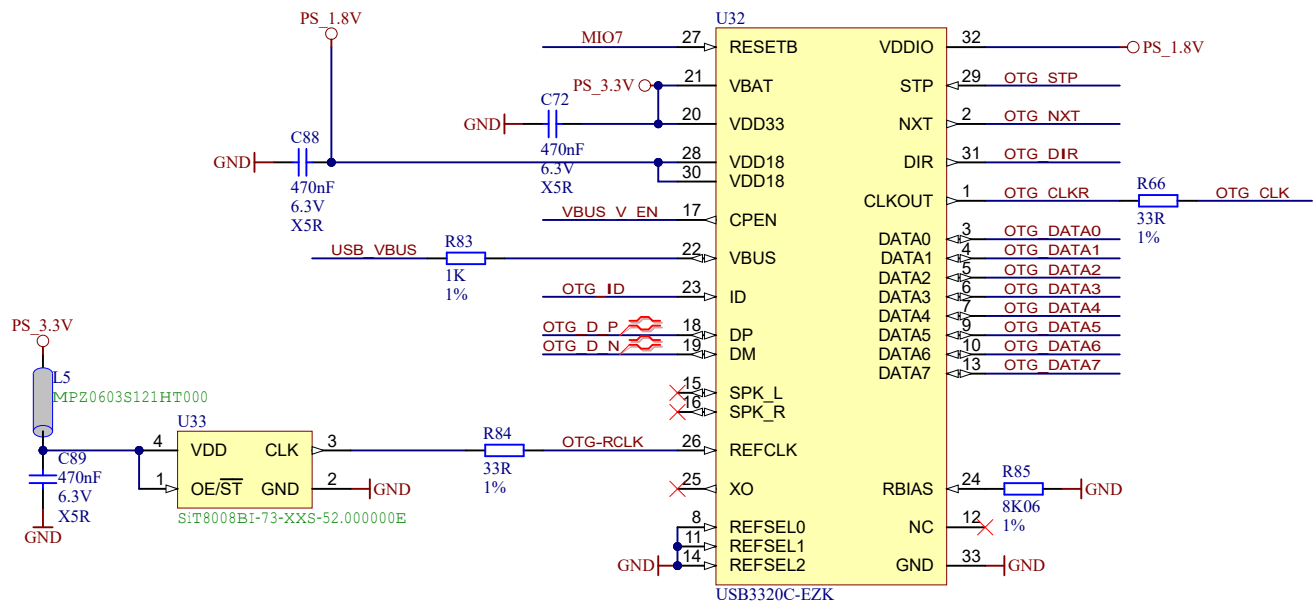
D

1

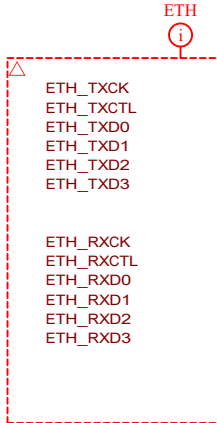
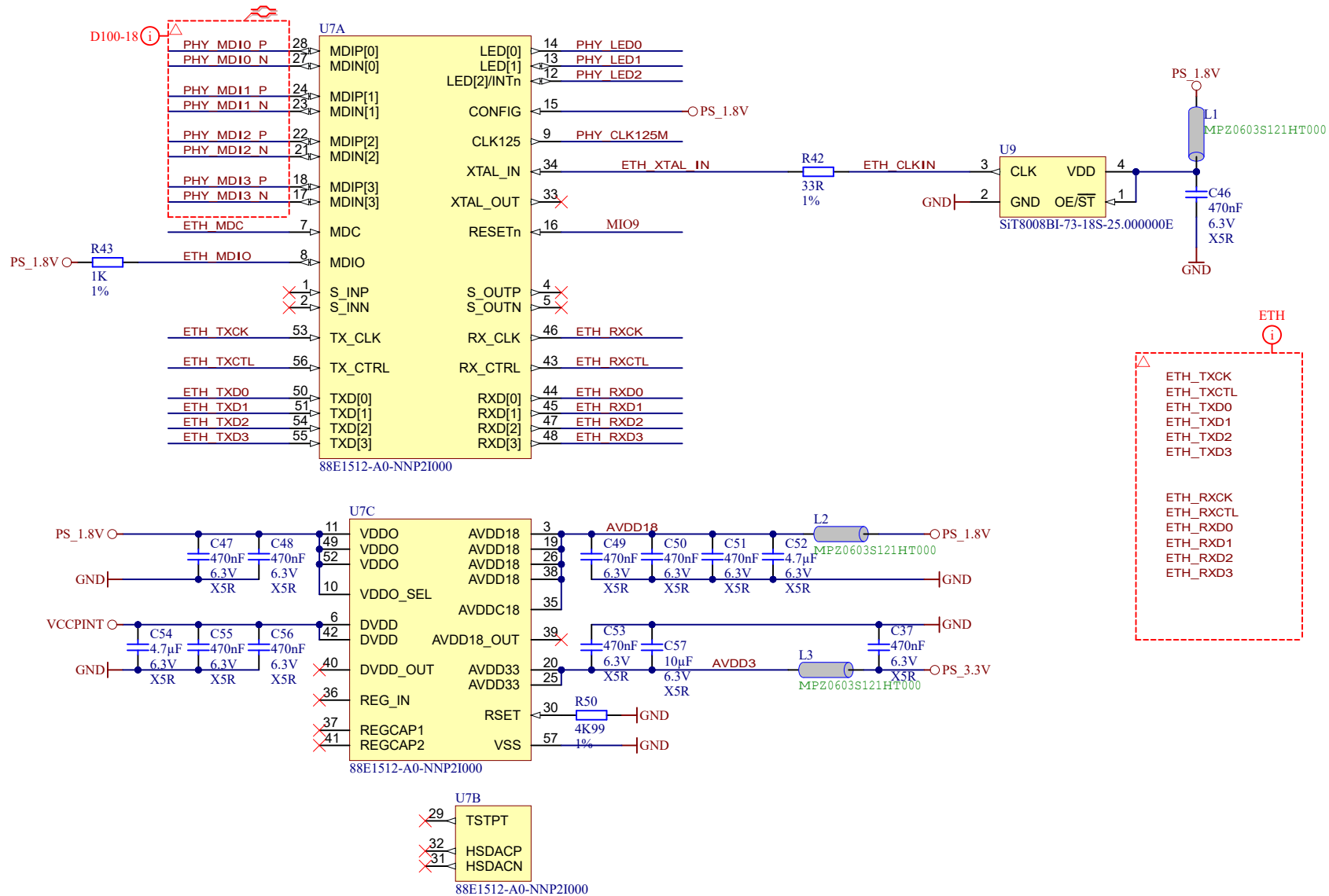
2

3

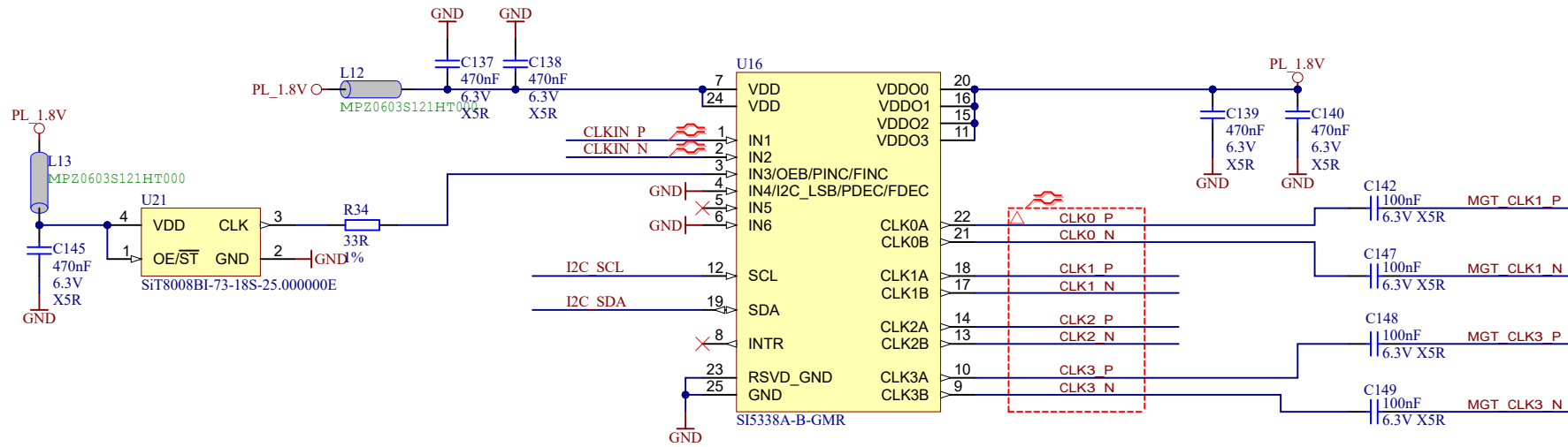
4




Title: TE0745 - USB_PHY		
A4	Number: 18 92I31-A	Rev. 02
Date: 2016-04-28	Copyright: Trenz Electronic GmbH / TT	Page 18 of 25
Filename: USB-PHY.SchDoc		

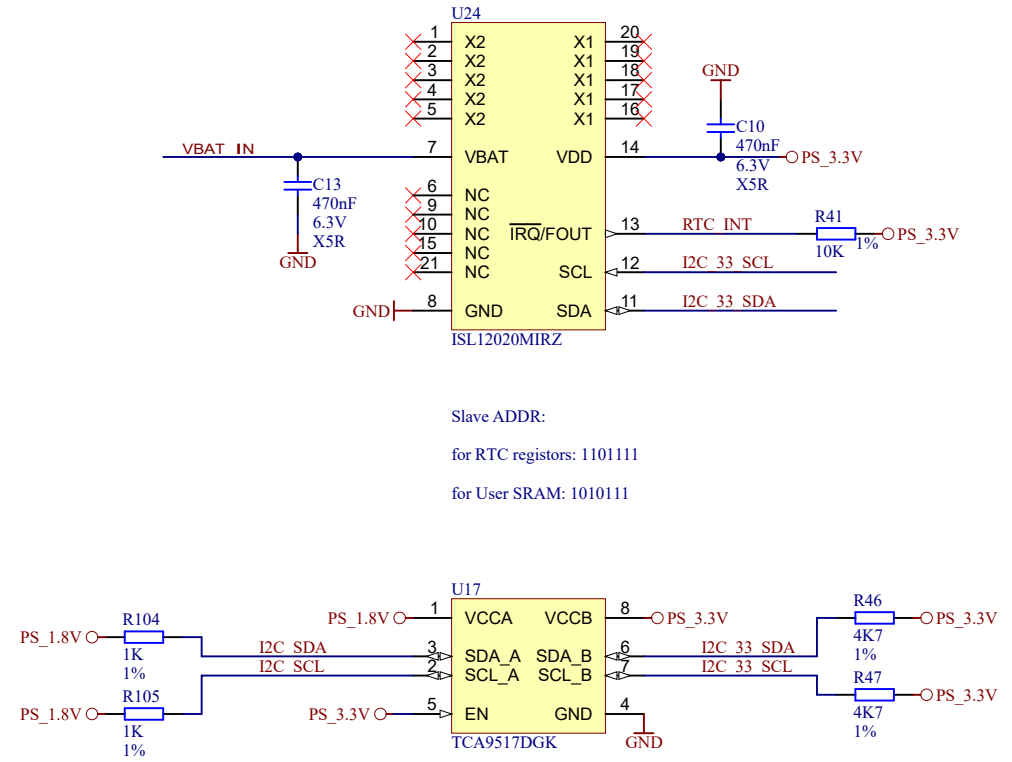


Title: TE0745 - ETH_PHY		
A4	Number: 19 92131-A	Rev. 02
Date: 2016-04-28	Copyright: Trenz Electronic GmbH / TT	Page 19 of 25
Filename: ETH-PHY.SchDoc		



Slave ADDR:
1110000 OR 1110001

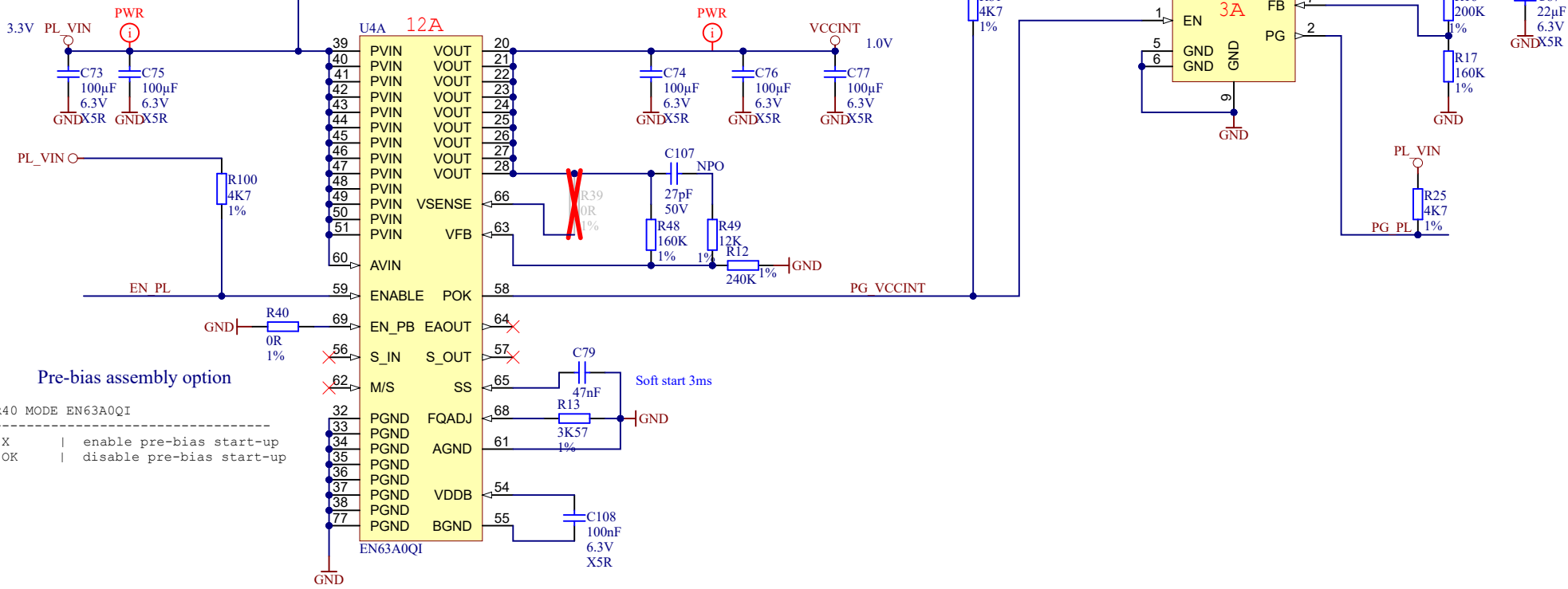
	Title: TE0745 - CLK		
	A4	Number: 20 92131-A	Rev. 02
	Date: 2016-04-28	Copyright: Trenz Electronic GmbH / TT	Page 20 of 25
	Filename: CLK.SchDoc		



Slave ADDR:
 for RTC registers: 1101111
 for User SRAM: 1010111



Title: TE0745 - RTC		
A4	Number: 21 92131-A	Rev. 02
Date: 2016-04-28	Copyright: Trenz Electronic GmbH / TT	Page21 of 25
Filename: SENSOR-RTC.SchDoc		



Pre-bias assembly option

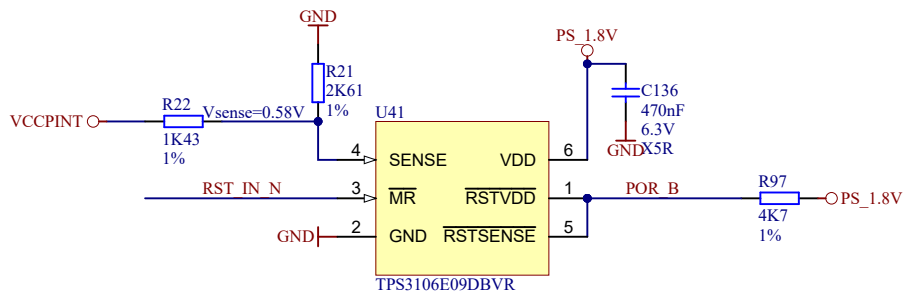
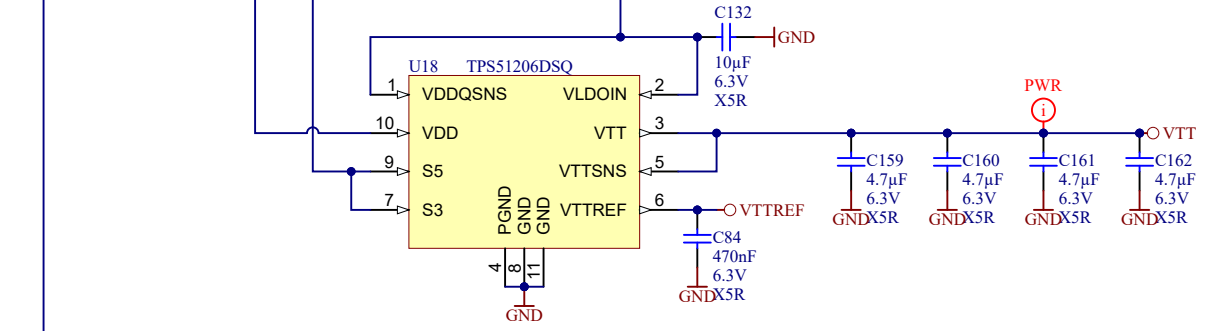
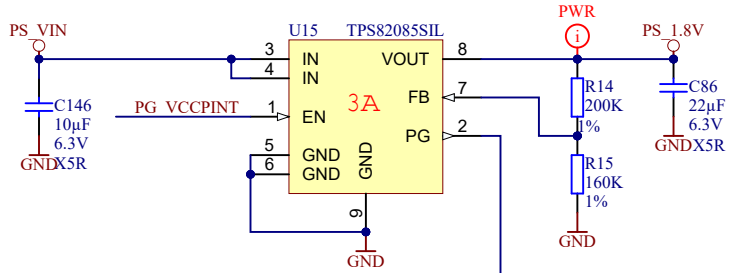
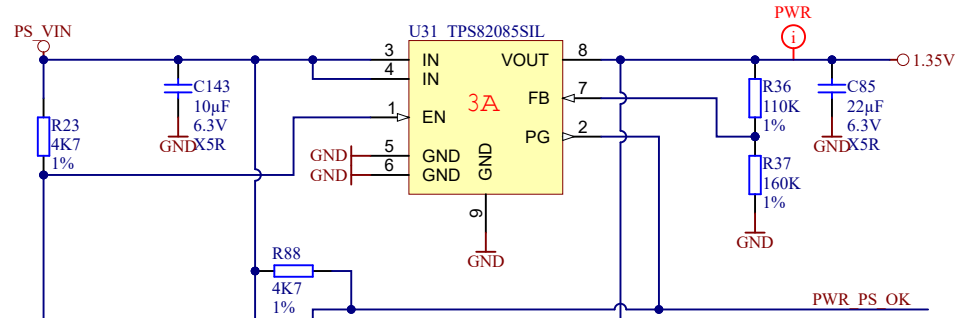
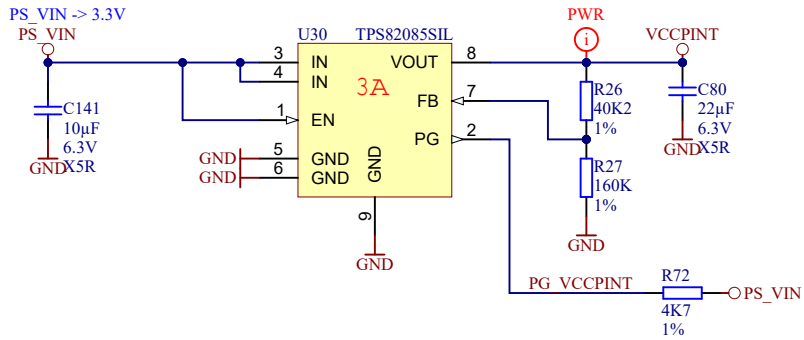

R39 R40 MODE EN63A0QI

OK X | enable pre-bias start-up
 X OK | disable pre-bias start-up

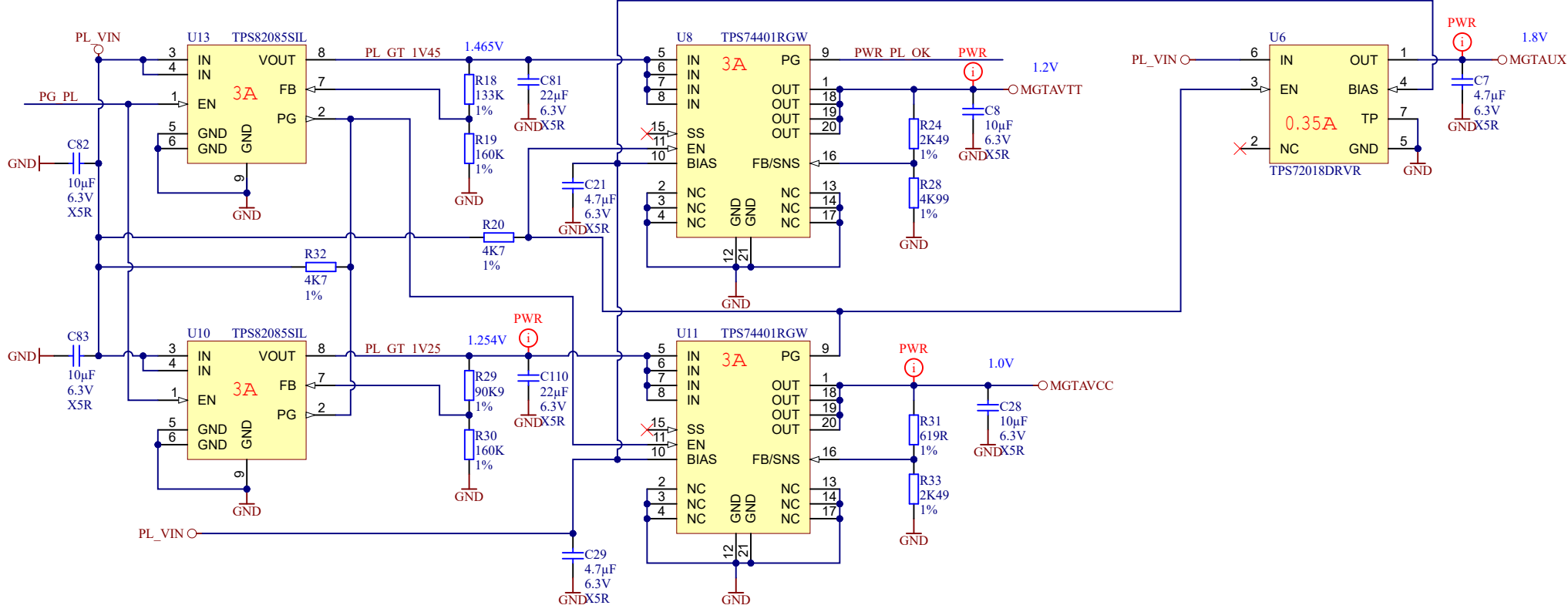
U4B			
1	NC	NC	17
2	NC	NC	18
3	NC	NC	19
4	NC	NC	29
5	NC	NC(SW)	30
6	NC	NC(SW)	31
7	NC	NC	52
8	NC	NC	53
9	NC	NC	67
10	NC	NC(SW)	70
11	NC	NC(SW)	71
12	NC	NC(SW)	72
13	NC	NC	73
14	NC	NC	74
15	NC	NC	75
16	NC	NC	76


EN63A0QI

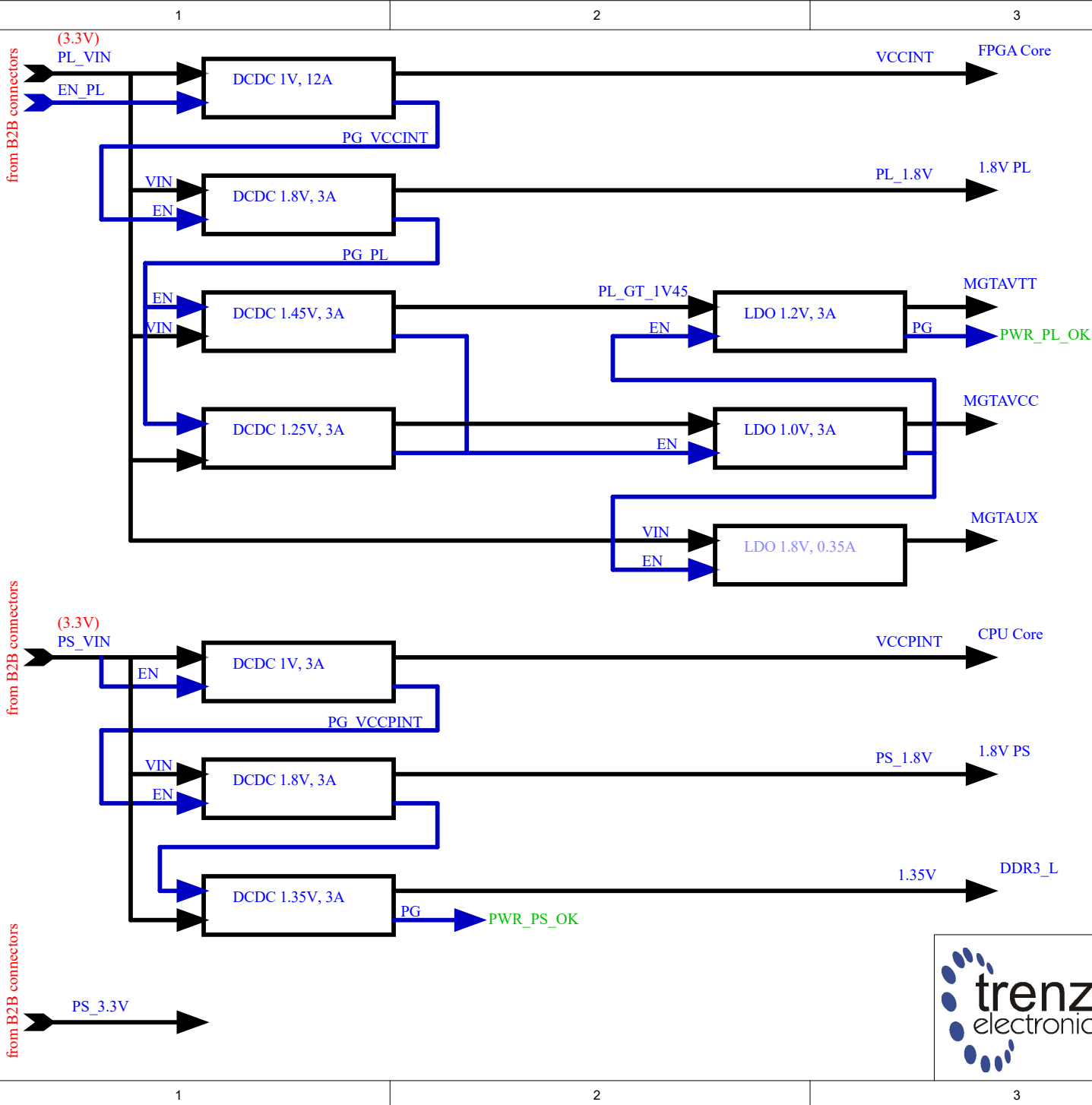
	Title: TE0745 - Power		
	A4	Number: 22 92I31-A	Rev. 02
	Date: 2016-04-28	Copyright: Trenz Electronic GmbH / TT	Page 22 of 25
	Filename: POWER.SchDoc		

Title: TE0745 - Power2		
A4	Number: 23 92131-A	Rev. 02
Date: 2016-04-28	Copyright: Trenz Electronic GmbH / TT	Page23 of 25
Filename: POWER_2.SchDoc		



	Title: TE0745 - Power3		
	A4	Number: 24 92131-A	Rev. 02
	Date: 2016-04-28	Copyright: Trenz Electronic GmbH / TT	Page24 of 25
	Filename: POWER_3.SchDoc		



Title: TE0745 - Power overview		
A4	Number: 25 92131-A	Rev. 02
Date: 2015-07-01	Copyright: Trenz Electronic GmbH	Page 25 of 25
Filename: PowerOverview.SchDoc		