

1

2

3

4

CHANGES REV01 to REV02

- 1) MAC EEPROM Address patch fixed on PCB
- 2) lib components update

A

A

B

B


C

C

D

D

Assembly variant	93E31-A
Created by	MR
Modified by	MR
Modified at	2021-02-19
SVN Version	8496

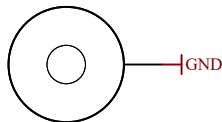
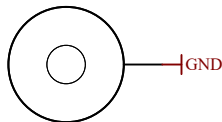
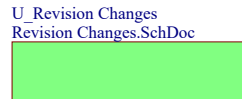
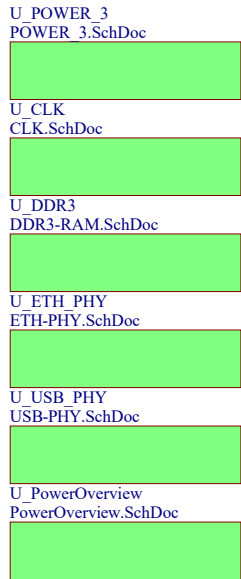
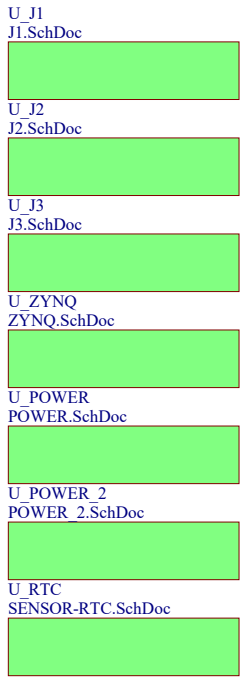
	Title: TE0745		
	A4	Number: 1 93E31-A	Rev. 02
	Date: 2016-04-28	Copyright: Trenz Electronic GmbH / TT	Page1 of 25
	Filename: Revision Changes.SchDoc		

1

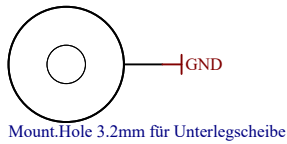
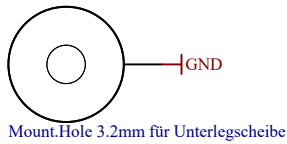
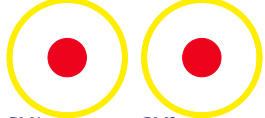
2

3

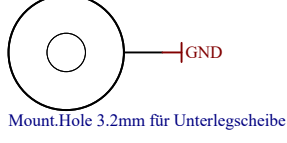
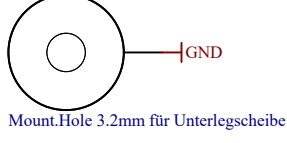
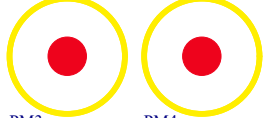
4



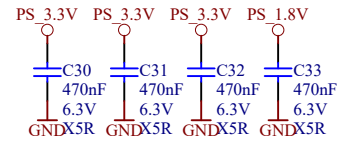
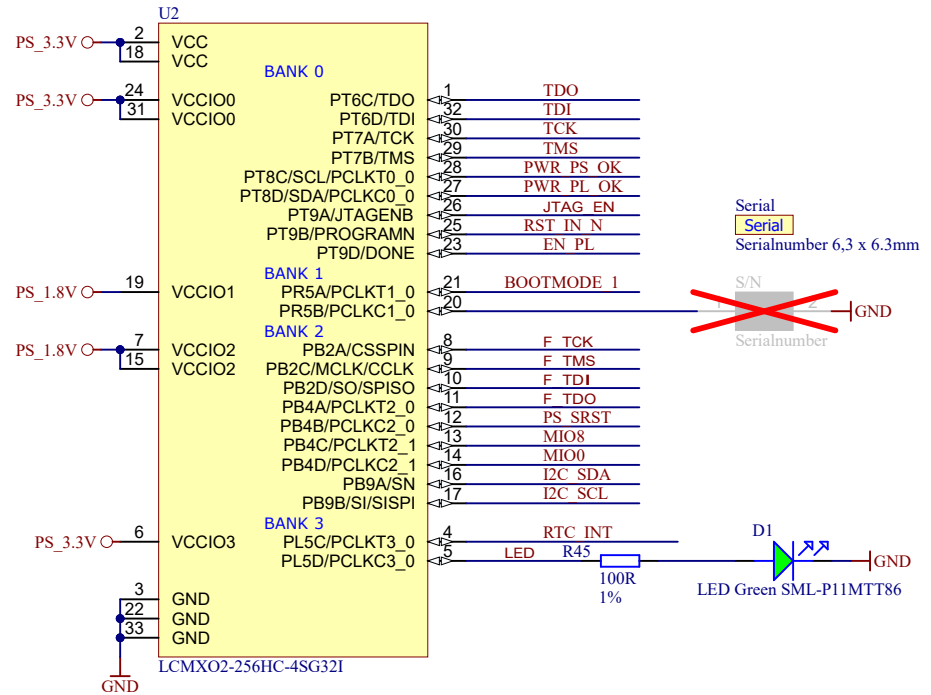
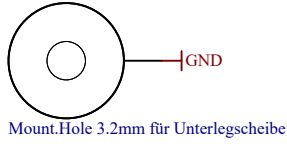
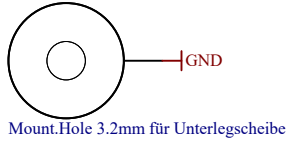
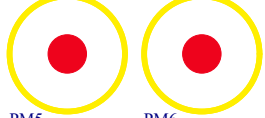
FIDU-DOT - small FIDU-DOT - small



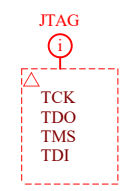
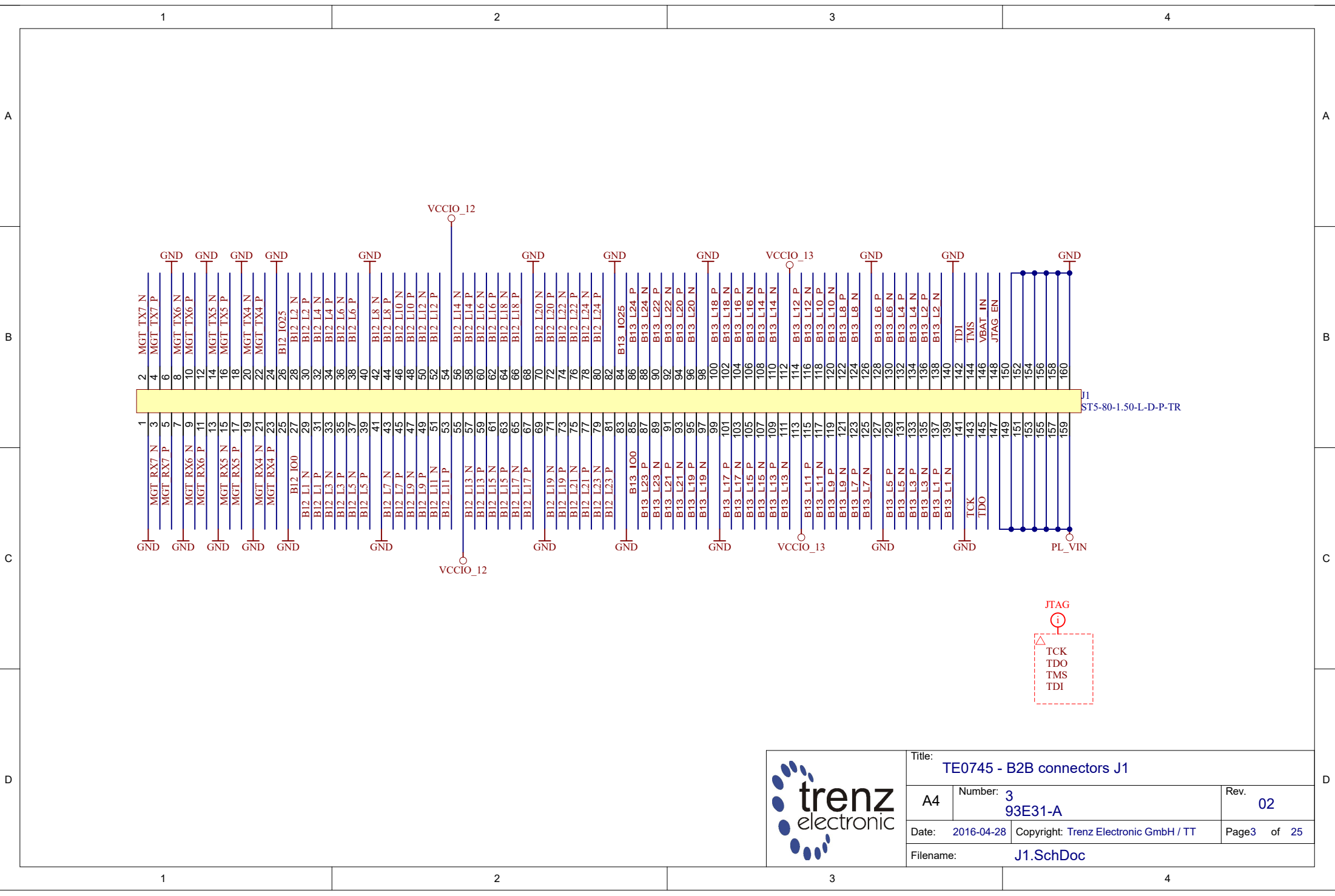
FIDU-DOT - small FIDU-DOT - small




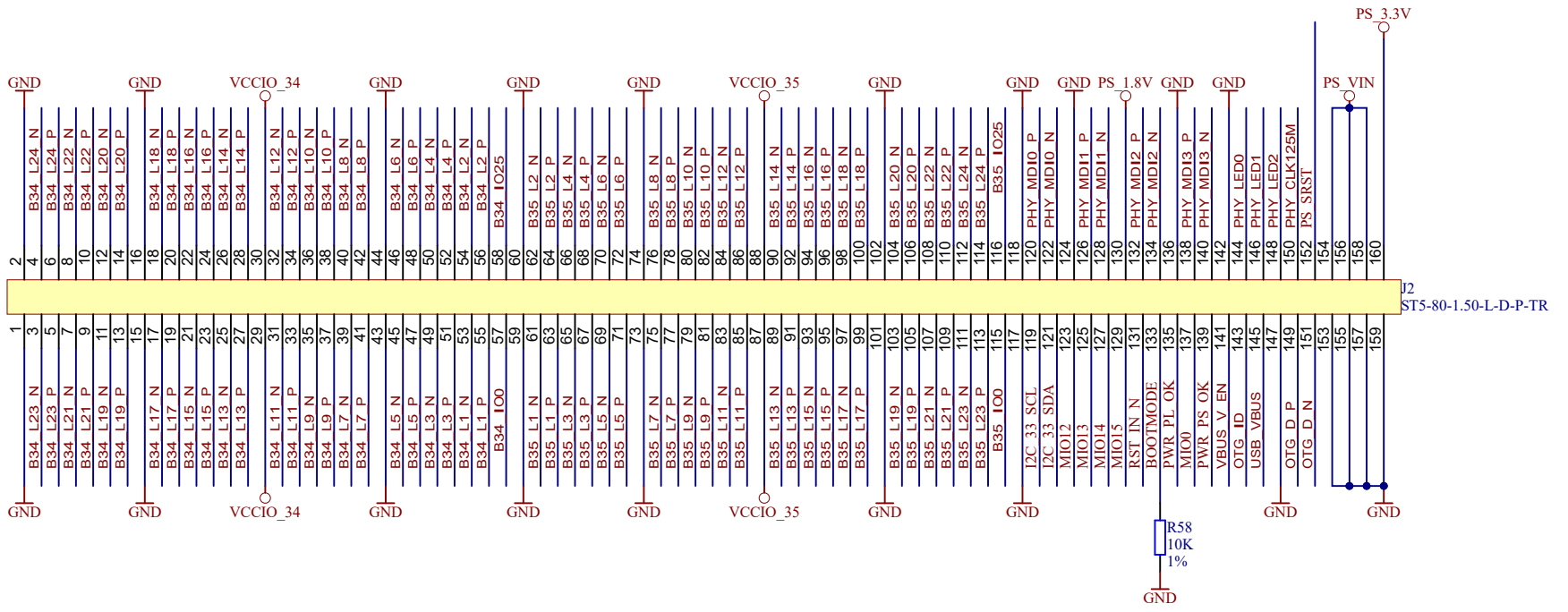
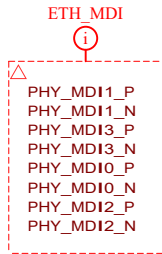
FIDU-DOT - small FIDU-DOT - small



	Title: TE0745		
	A4	Number: 2 93E31-A	Rev. 02
	Date: 2016-04-28	Copyright: Trenz Electronic GmbH / TT	Page2 of 25
	Filename: TE0745.SchDoc		

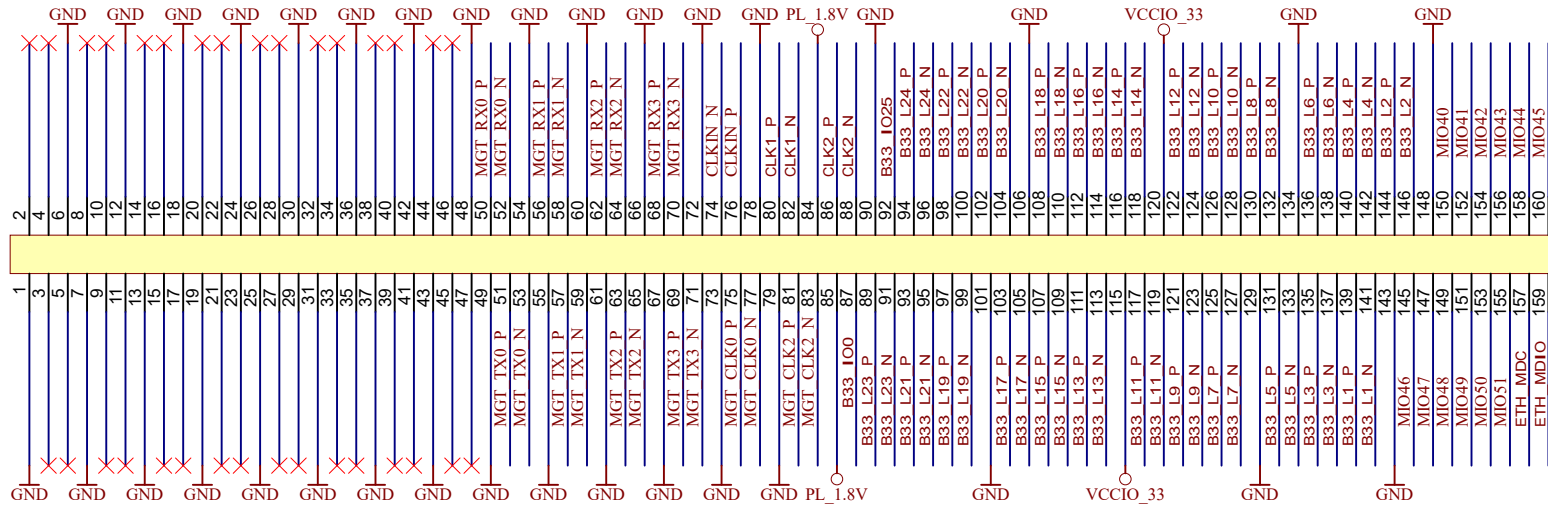


		Title: TE0745 - B2B connectors J1	
		A4	Number: 3 93E31-A
Date: 2016-04-28		Copyright: Trenz Electronic GmbH / TT	
Filename: J1.SchDoc		Page3 of 25	




Title: TE0745 - B2B connectors J2		
A4	Number: 4 93E31-A	Rev. 02
Date: 2016-04-28	Copyright: Trenz Electronic GmbH / TT	Page4 of 25
Filename: J2.SchDoc		

RESERVED for additional 8 GTX lanes



J3
ST5-80-1.50-L-D-P-TR



Title: TE0745 - B2B connectors J3		
A4	Number: 5 93E31-A	Rev. 02
Date: 2016-04-28	Copyright: Trenz Electronic GmbH / TT	Page5 of 25
Filename: J3.SchDoc		

1

2

3

4

U_B12
B12.SchDoc



U_B500
MIO_B500.SchDoc



U_B13
B13.SchDoc



U_PS_DDR
PS-DDR.SchDoc



U_B33
B33.SchDoc



U_MISC
ZYNQ_MISC.SchDoc



U_B34
B34.SchDoc



U_ZYNQ_POWER
ZYNQ_POWER.SchDoc



U_B35
B35.SchDoc



U_FPGA_MGT
FPGA_MGT.SchDoc



A

A

B

B

C

C

D


D

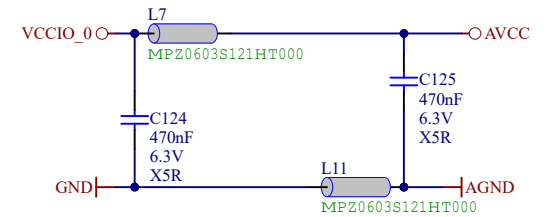
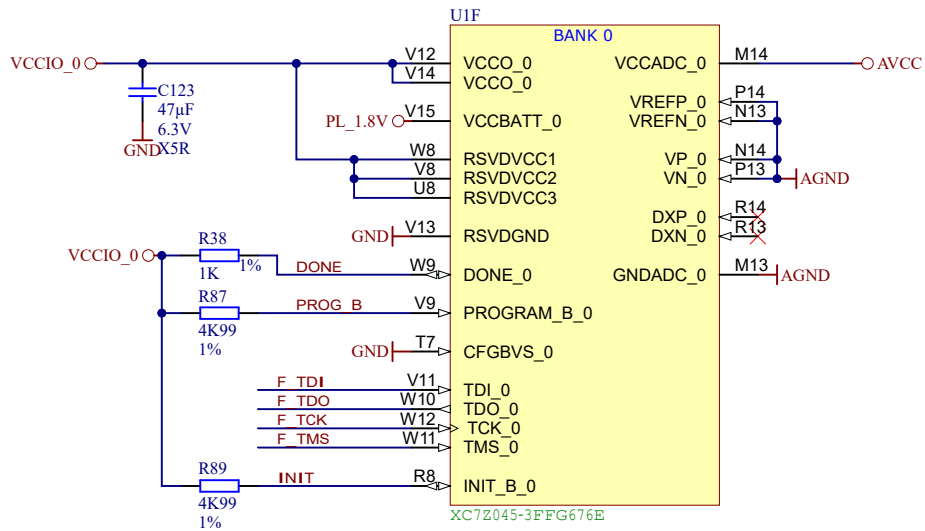
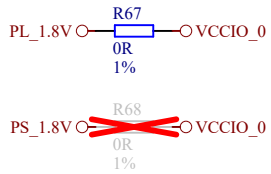
1

2

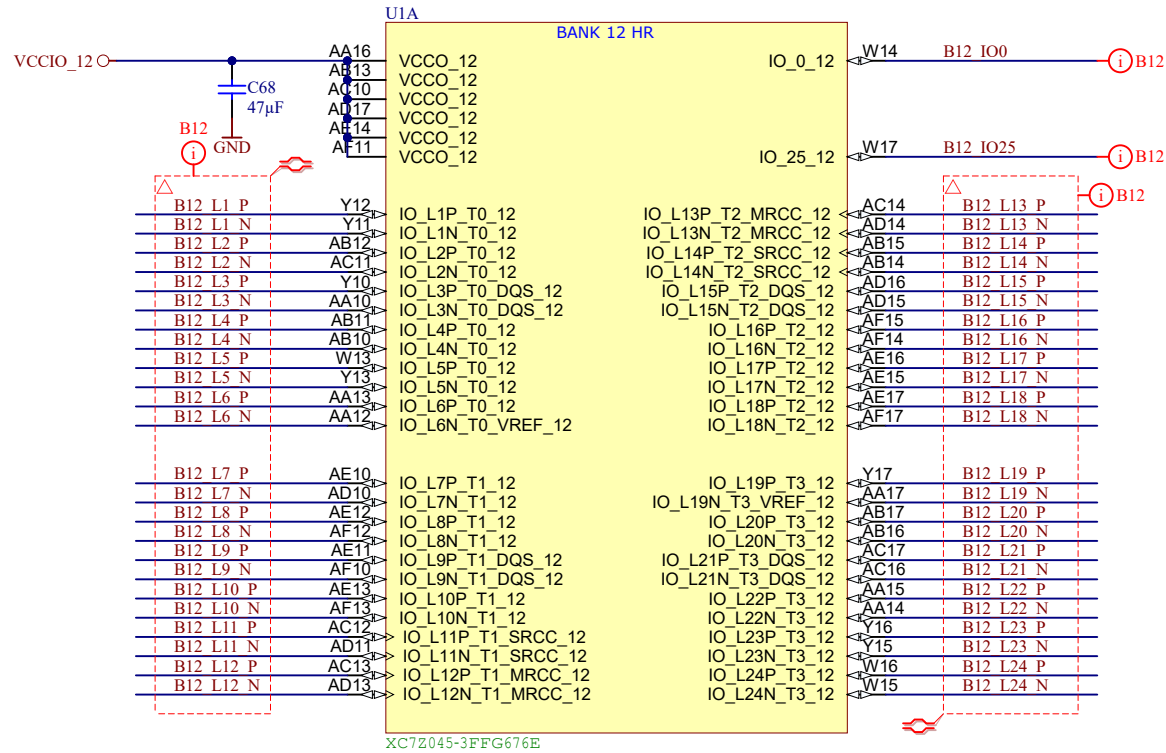
3

4

	Title: TE0745 - Zynq		
	A4	Number: 6 93E31-A	Rev. 02
	Date: 2016-04-28	Copyright: Trenz Electronic GmbH / TT	Page6 of 25
	Filename: ZYNQ.SchDoc		



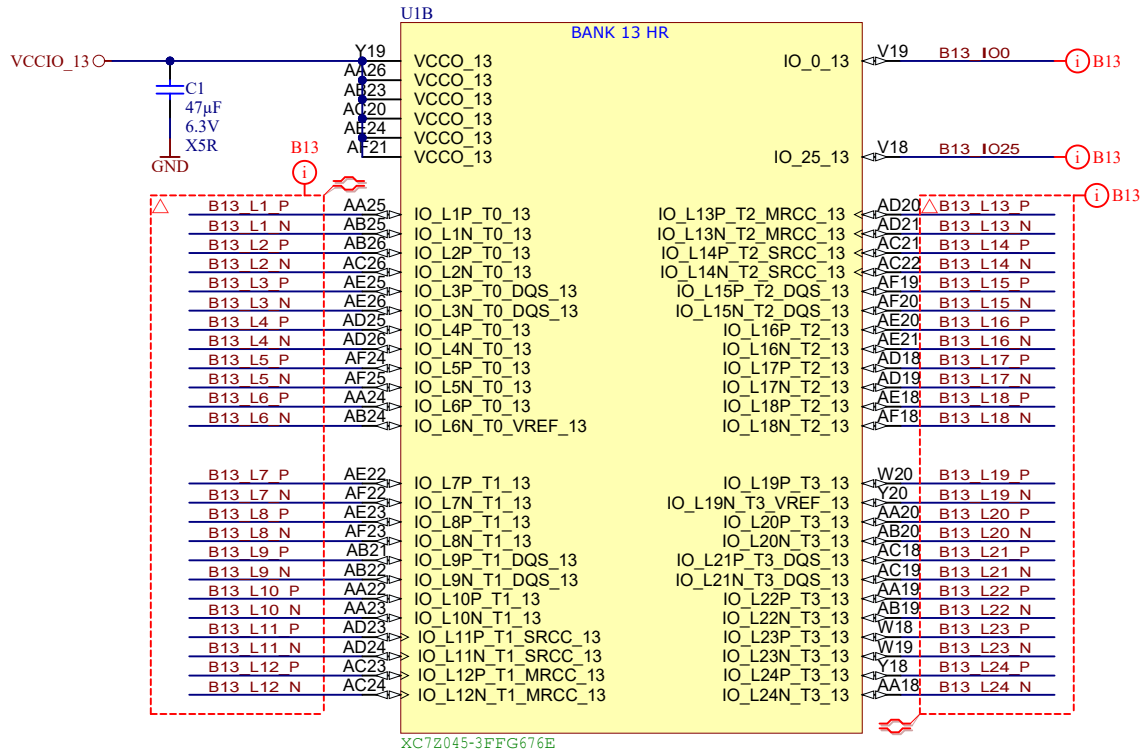
	Title: TE0745 - Zynq_MISC		
	A4	Number: 7 93E31-A	Rev. 02
	Date: 2016-04-28	Copyright: Trenz Electronic GmbH / TT	Page 7 of 25
	Filename: ZYNQ_MISC.SchDoc		



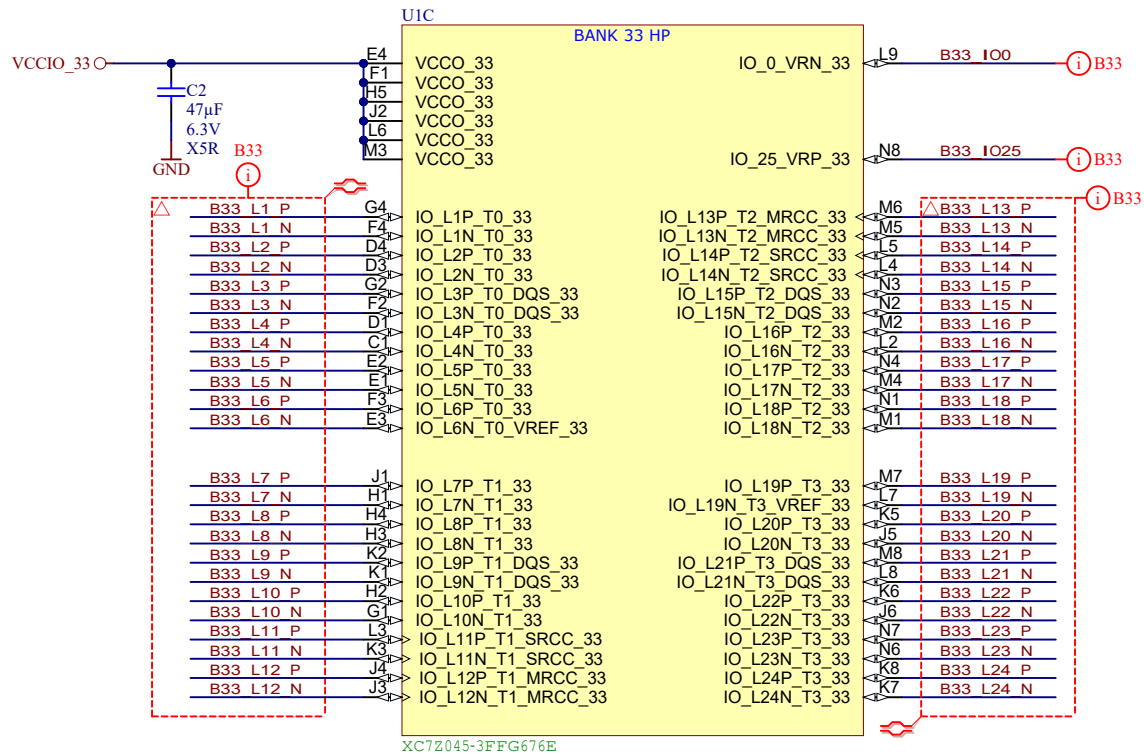
XC7Z045-3FFG676E



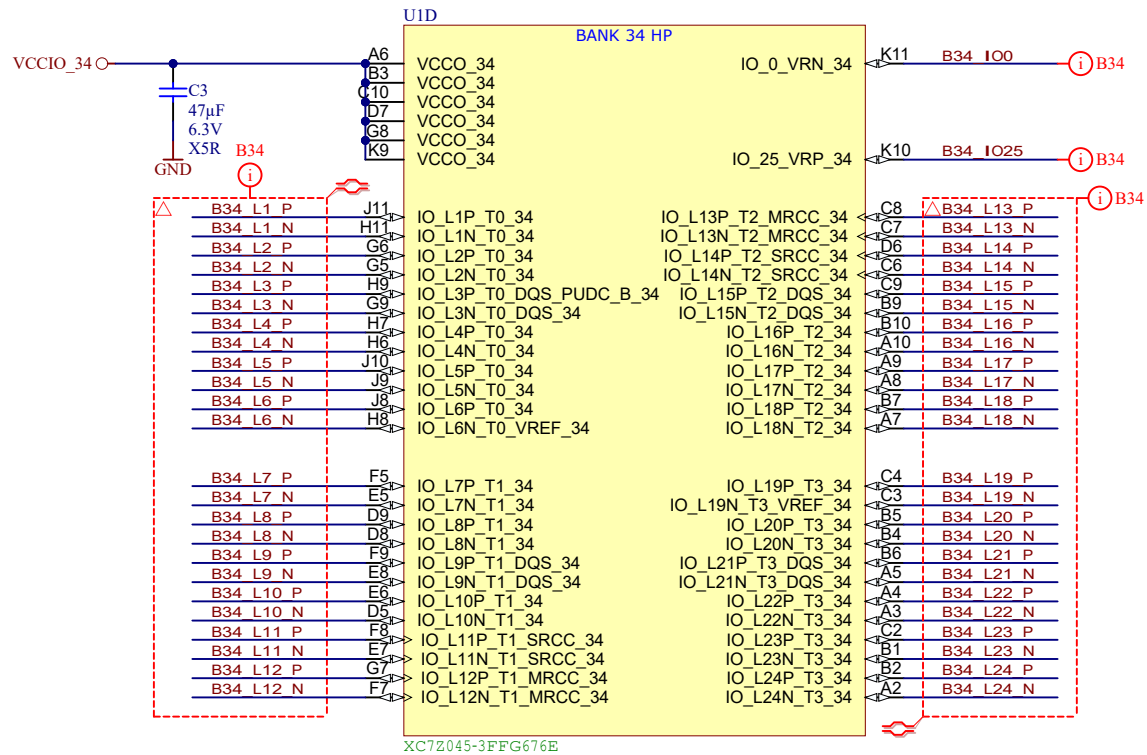
Title: TE0745 - Zynq_B12		
A4	Number: 8 93E31-A	Rev. 02
Date: 2016-04-28	Copyright: Trenz Electronic GmbH / TT	Page 8 of 25
Filename: B12.SchDoc		



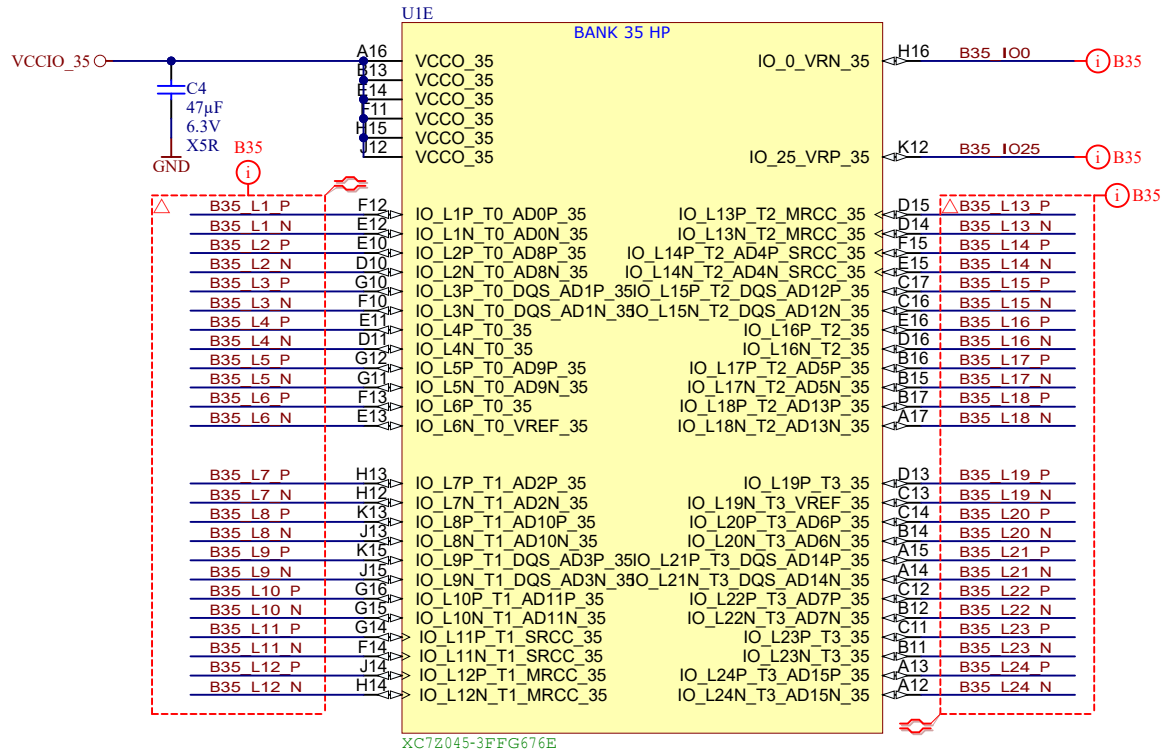
Title: TE0745 - Zynq_B13		
A4	Number: 9 93E31-A	Rev. 02
Date: 2016-04-28	Copyright: Trenz Electronic GmbH / TT	Page9 of 25
Filename: B13.SchDoc		



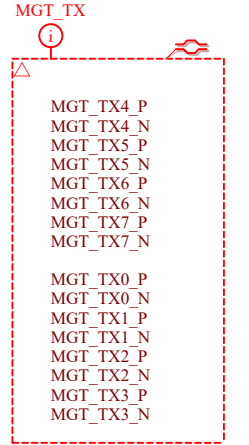
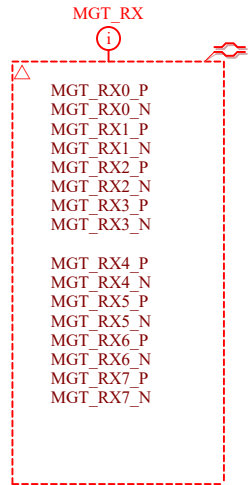
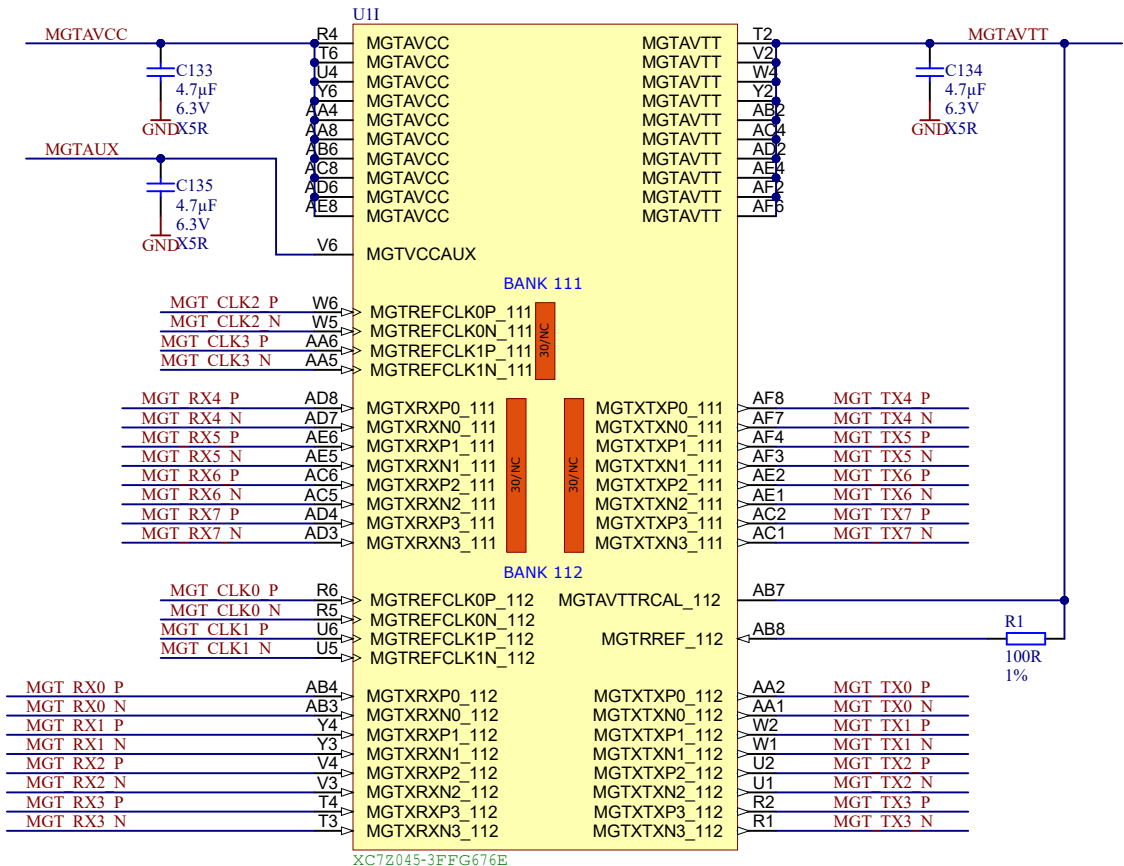
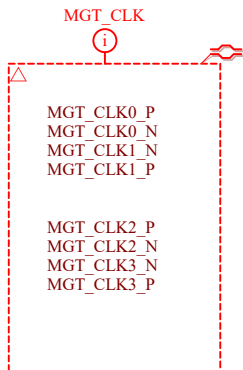

Title: TE0745 - Zynq_B33		
A4	Number: 10 93E31-A	Rev. 02
Date: 2016-04-28	Copyright: Trenz Electronic GmbH / TT	Page 10 of 25
Filename: B33.SchDoc		



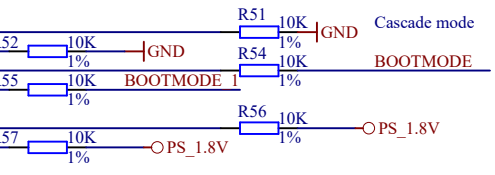
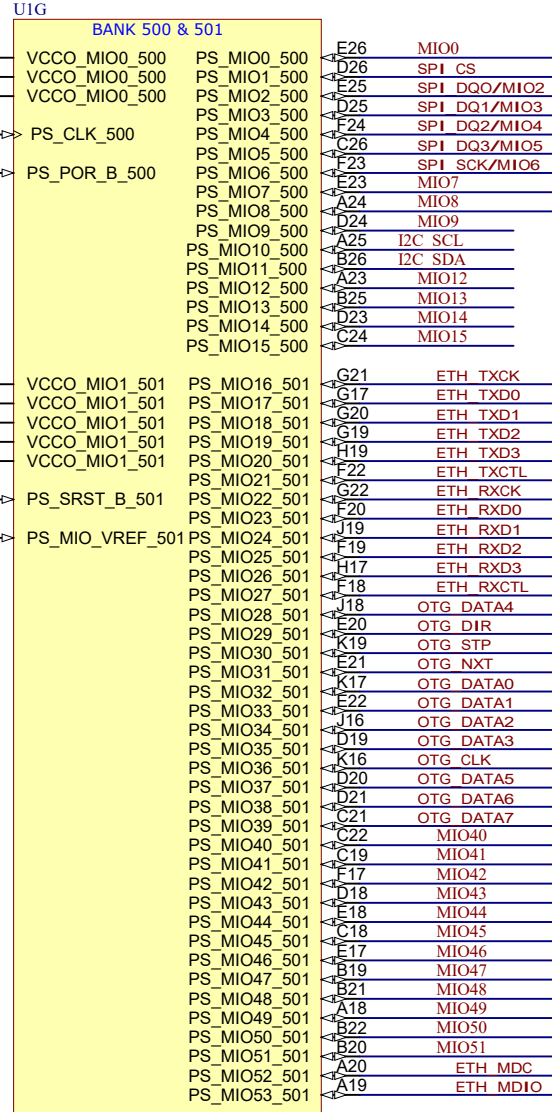
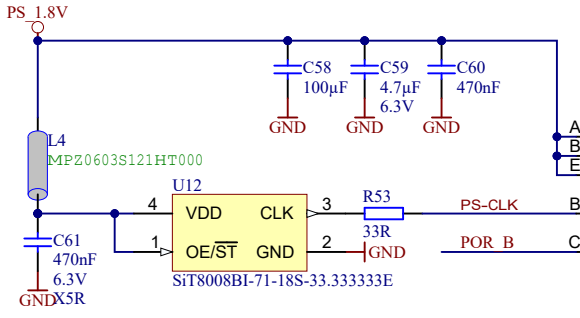
Title: TE0745 - Zynq_B34		
A4	Number: 11 93E31-A	Rev. 02
Date: 2016-04-28	Copyright: Trenz Electronic GmbH / TT	Page 11 of 25
Filename: B34.SchDoc		



Title: TE0745 - Zynq_B35		
A4	Number: 12 93E31-A	Rev. 02
Date: 2016-04-28	Copyright: Trenz Electronic GmbH / TT	Page 12 of 25
Filename: B35.SchDoc		

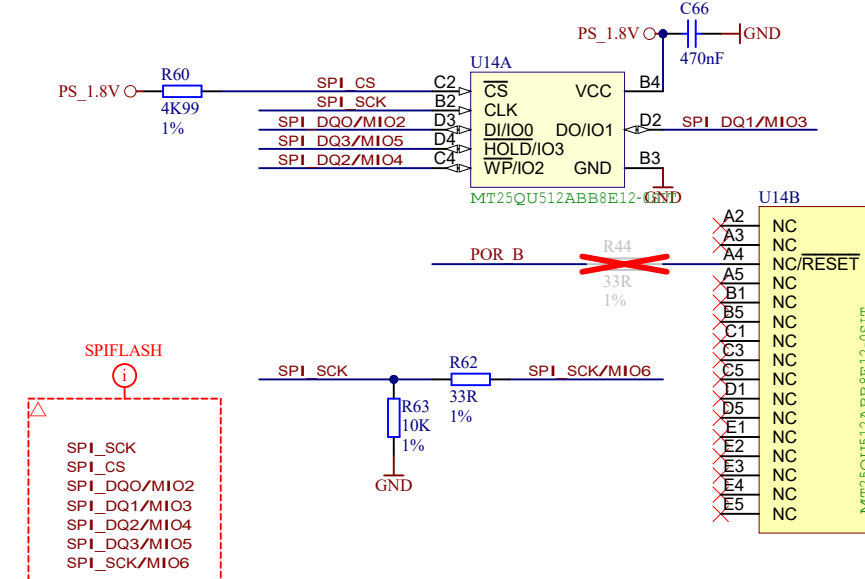
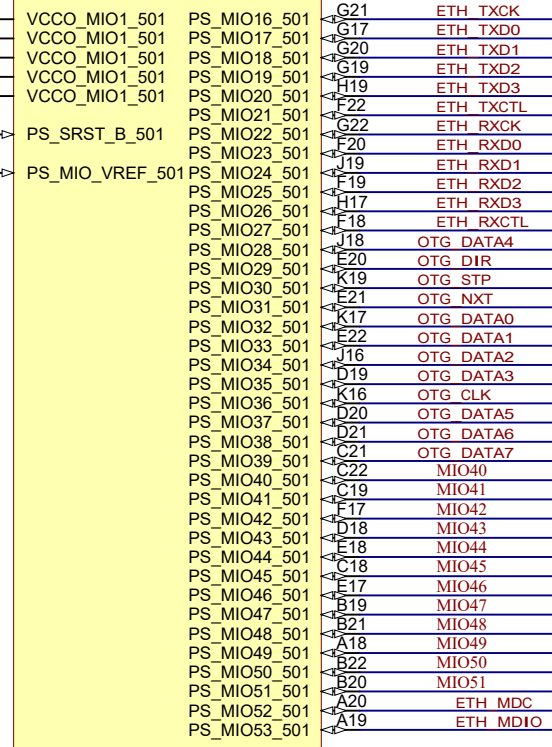
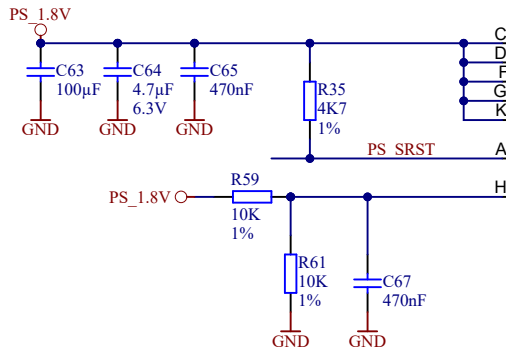



Title: TE0745 - Zynq_MGT		
A4	Number: 13 93E31-A	Rev. 02
Date: 2016-04-28	Copyright: Trenz Electronic GmbH / TT	Page13 of 25
Filename: FPGA_MGT.SchDoc		

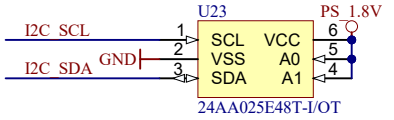


MIO Bank Voltage	MIO7	MIO8
2.5V, 3.3V	0	0
1.8V	1	1

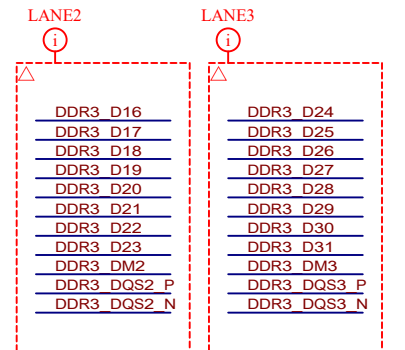
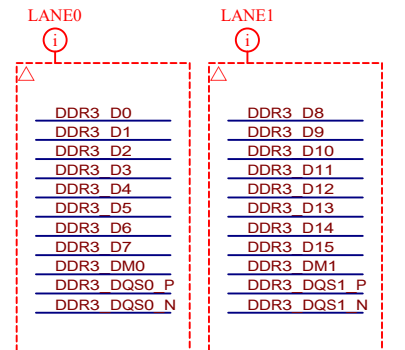
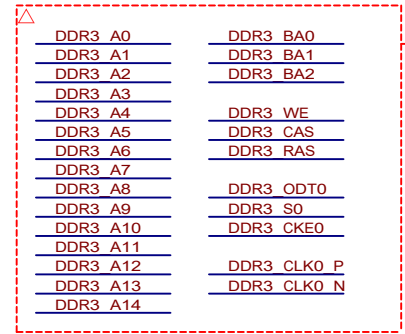
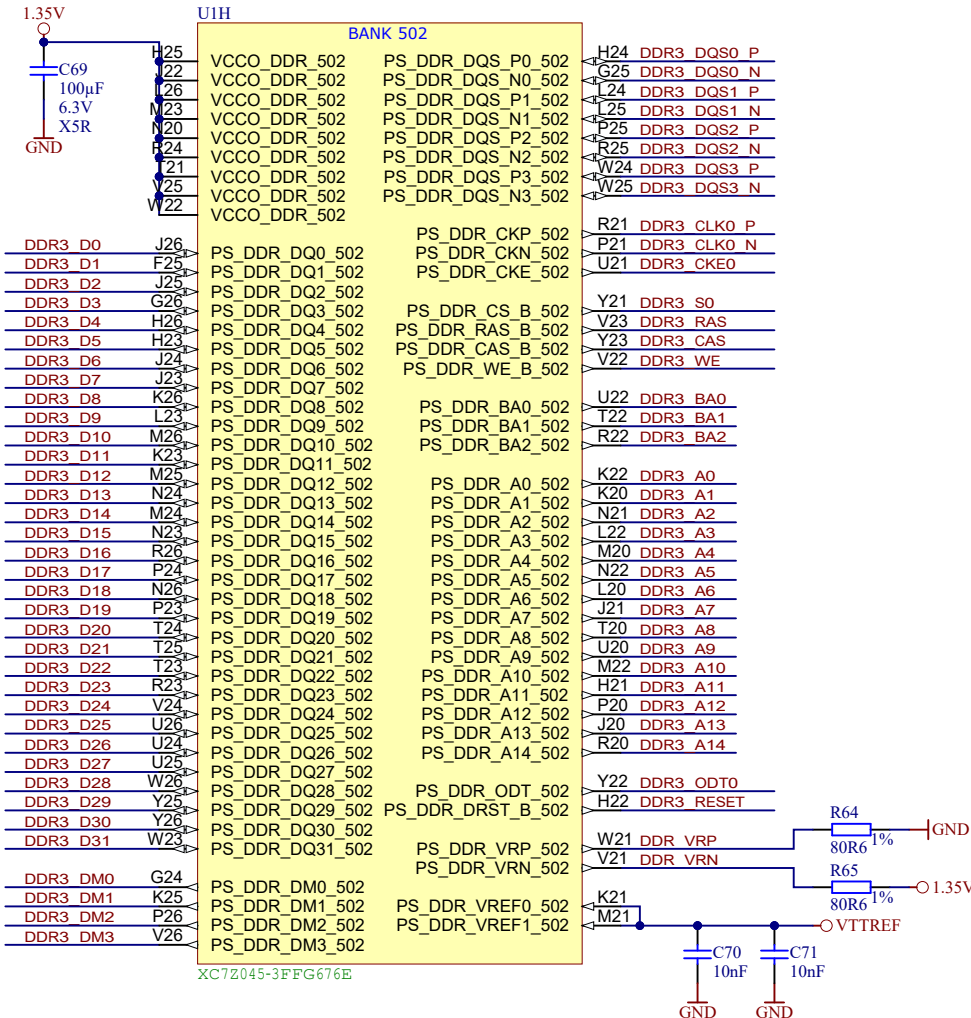
BOOT MODE	MIO5	MIO4	MIO3
JTAG Boot Mode	0	0	0
NOR Boot	0	0	1
NAND	0	1	0
Quad-SPI	1	0	0
SD Card	1	1	0



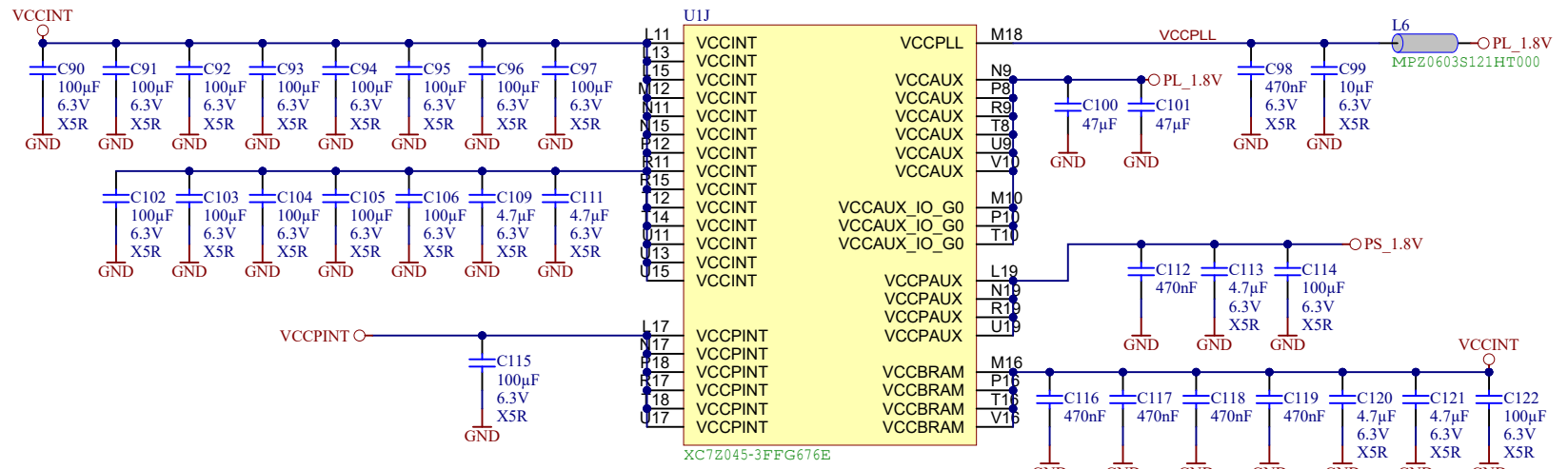
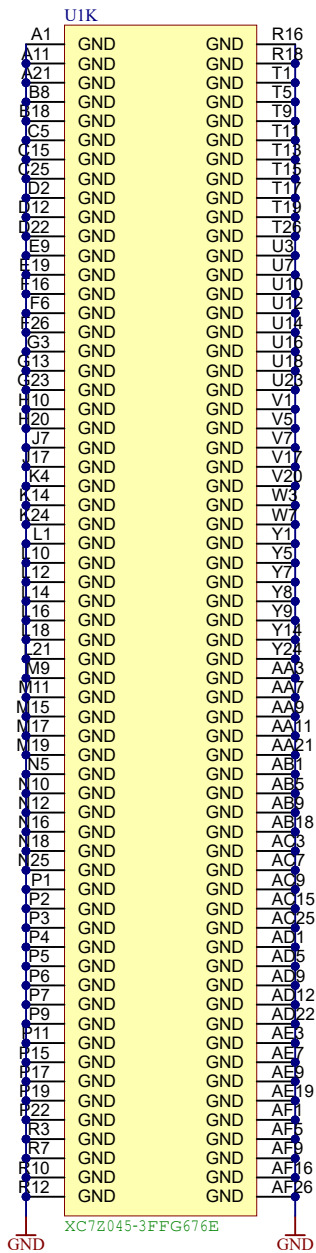
EEPROM for MAC
Slave ADDR:
1010011



Title: TE0745 - Zynq_MIO_Banks		
A4	Number: 14 93E31-A	Rev. 02
Date: 2016-04-28	Copyright: Trenz Electronic GmbH / TT	Page 14 of 25
Filename: MIO_B500.SchDoc		



			Title: TE0745 - Zynq_PS_DDR	
			A4	Number: 15 93E31-A
Date: 2016-04-28		Copyright: Trenz Electronic GmbH / TT		Page 15 of 25
Filename: PS-DDR.SchDoc				



Title: TE0745 - Zynq_Power		
A4	Number: 16 93E31-A	Rev. 02
Date: 2016-04-28	Copyright: Trenz Electronic GmbH / TT	Page16 of 25
Filename: ZYNC_POWER.SchDoc		

A

A

B

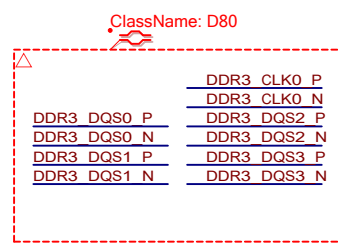
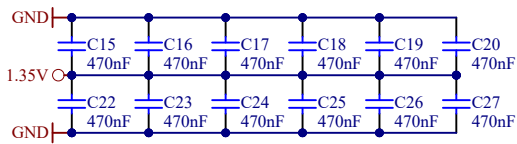
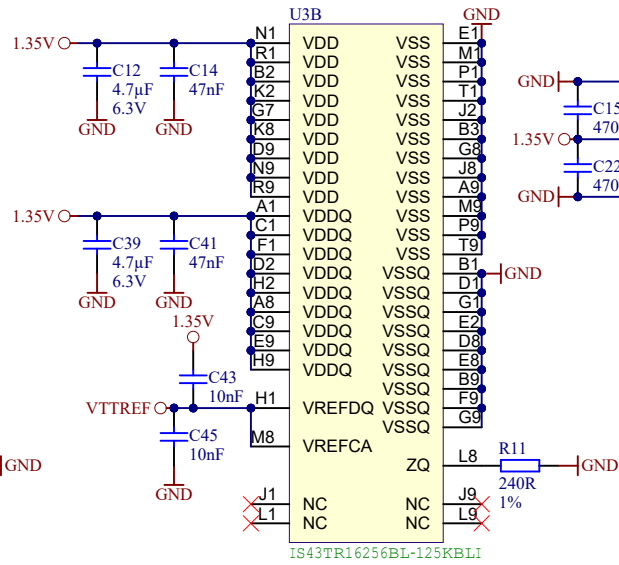
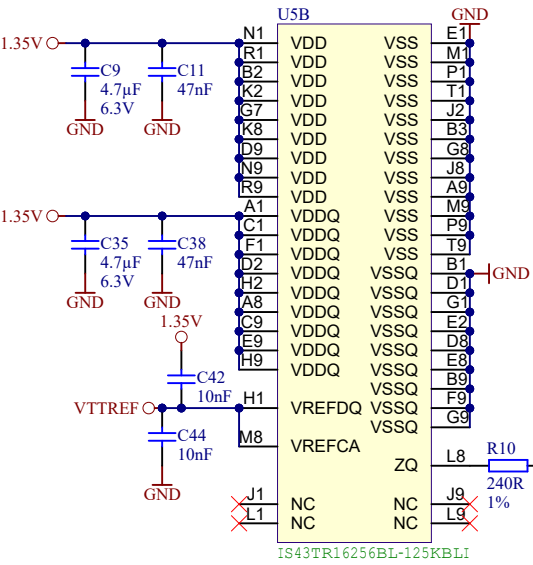
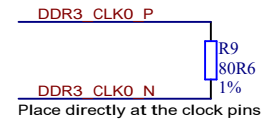
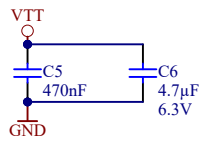
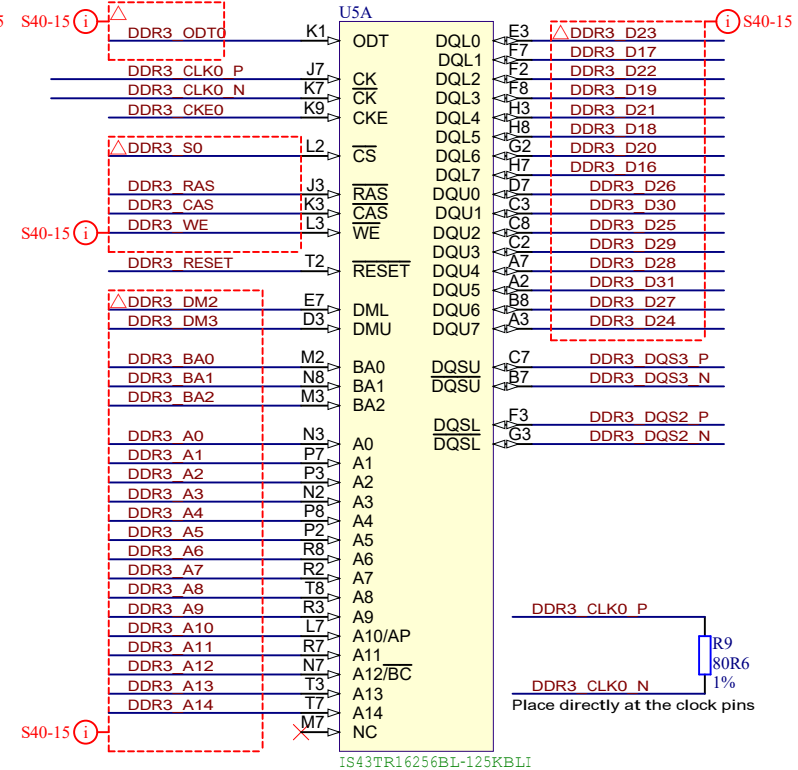
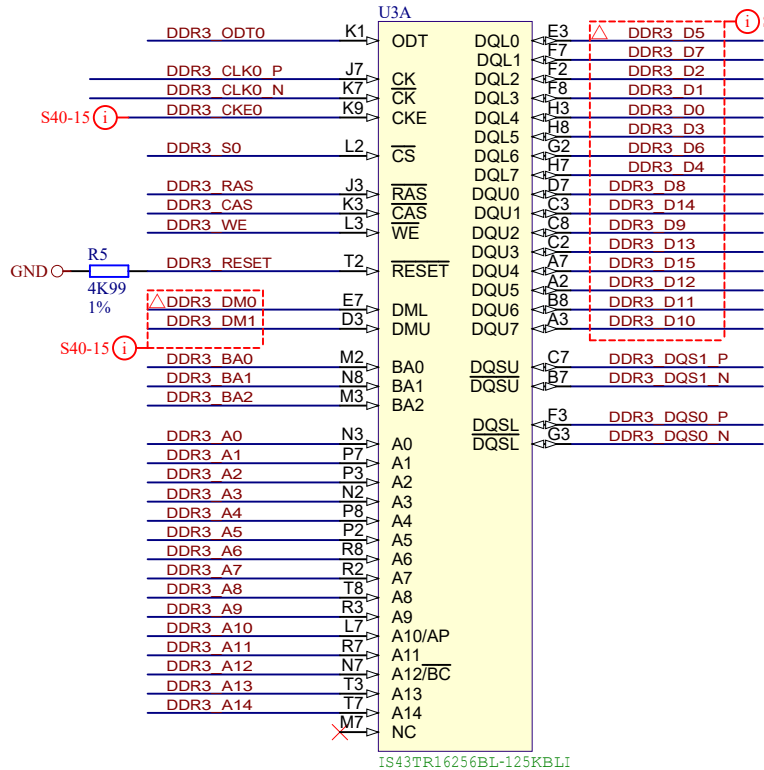
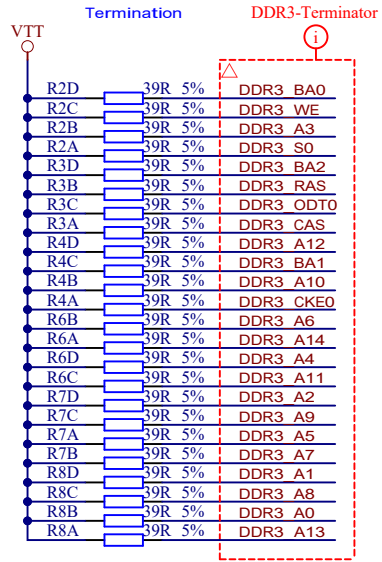
B

C

C

D

D



Title: TE0745 - DDR3 RAM		
A4	Number: 17 93E31-A	Rev. 02
Date: 2016-04-28	Copyright: Trenz Electronic GmbH	Page 17 of 25
Filename: DDR3-RAM.SchDoc		

1

2

3

4

A

A

B

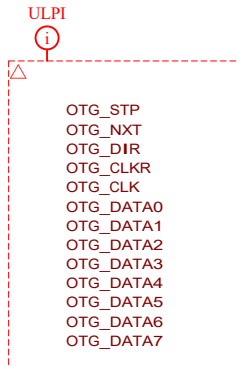
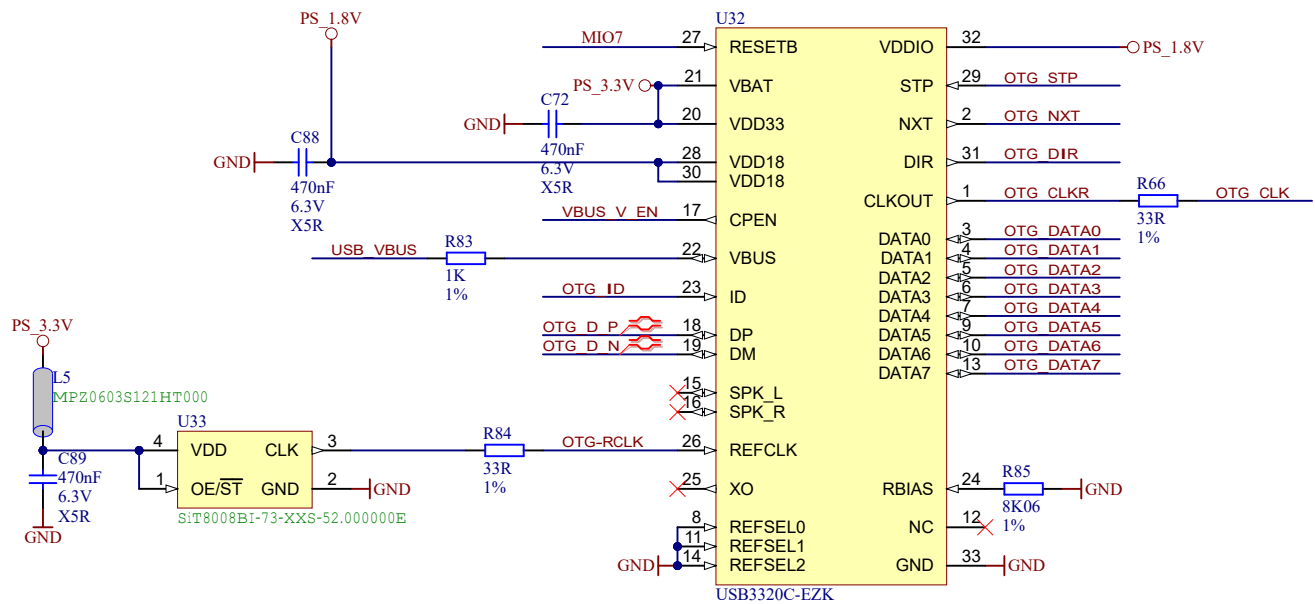
B

C

C

D

D



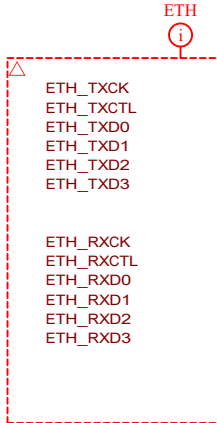
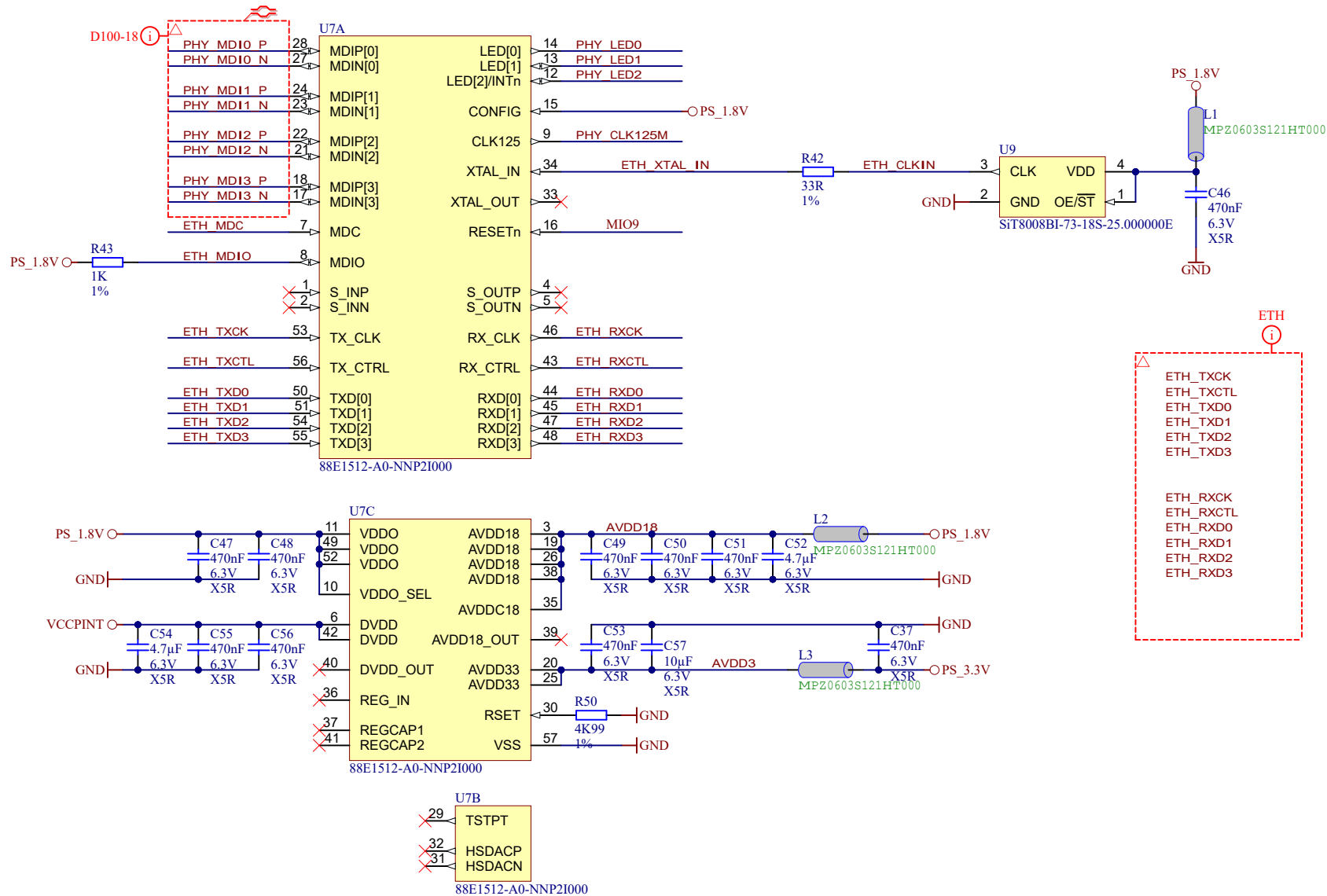
Title: TE0745 - USB_PHY		
A4	Number: 18 93E31-A	Rev. 02
Date: 2016-04-28	Copyright: Trenz Electronic GmbH / TT	Page 18 of 25
Filename: USB-PHY.SchDoc		

1

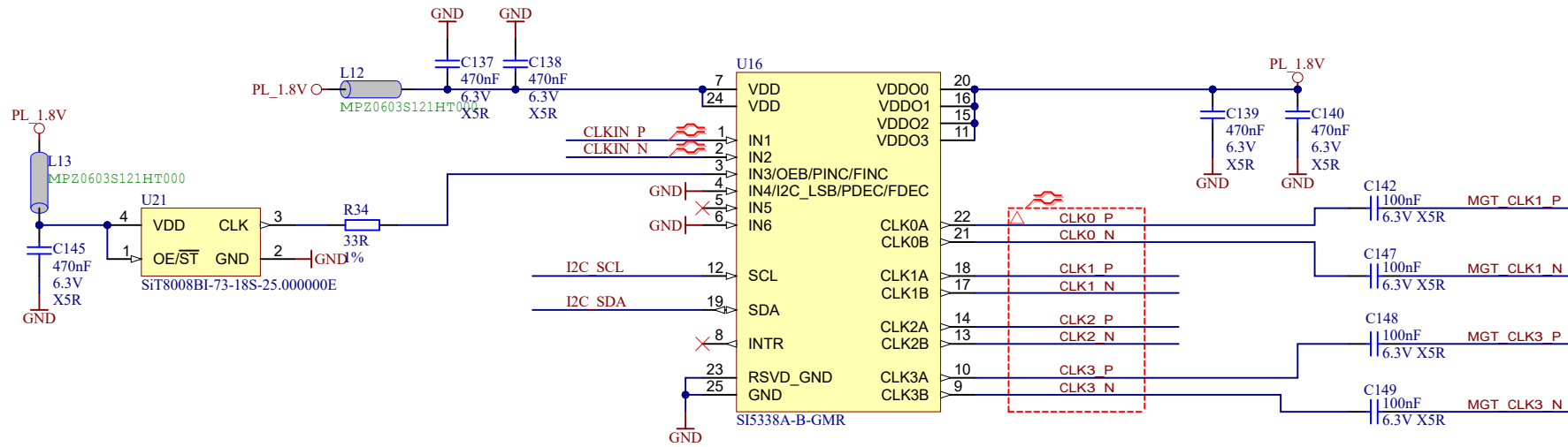
2

3


4

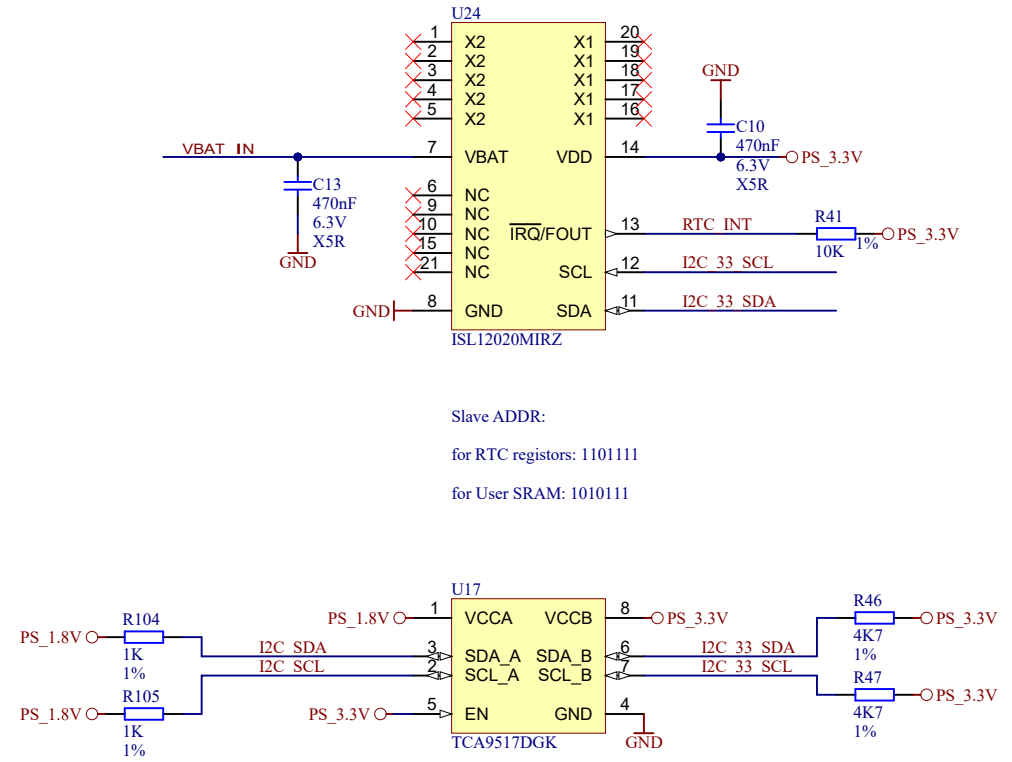


		Title: TE0745 - ETH_PHY	
		A4	Number: 19 93E31-A
Date: 2016-04-28		Copyright: Trenz Electronic GmbH / TT	
Filename: ETH-PHY.SchDoc		Page 19 of 25	

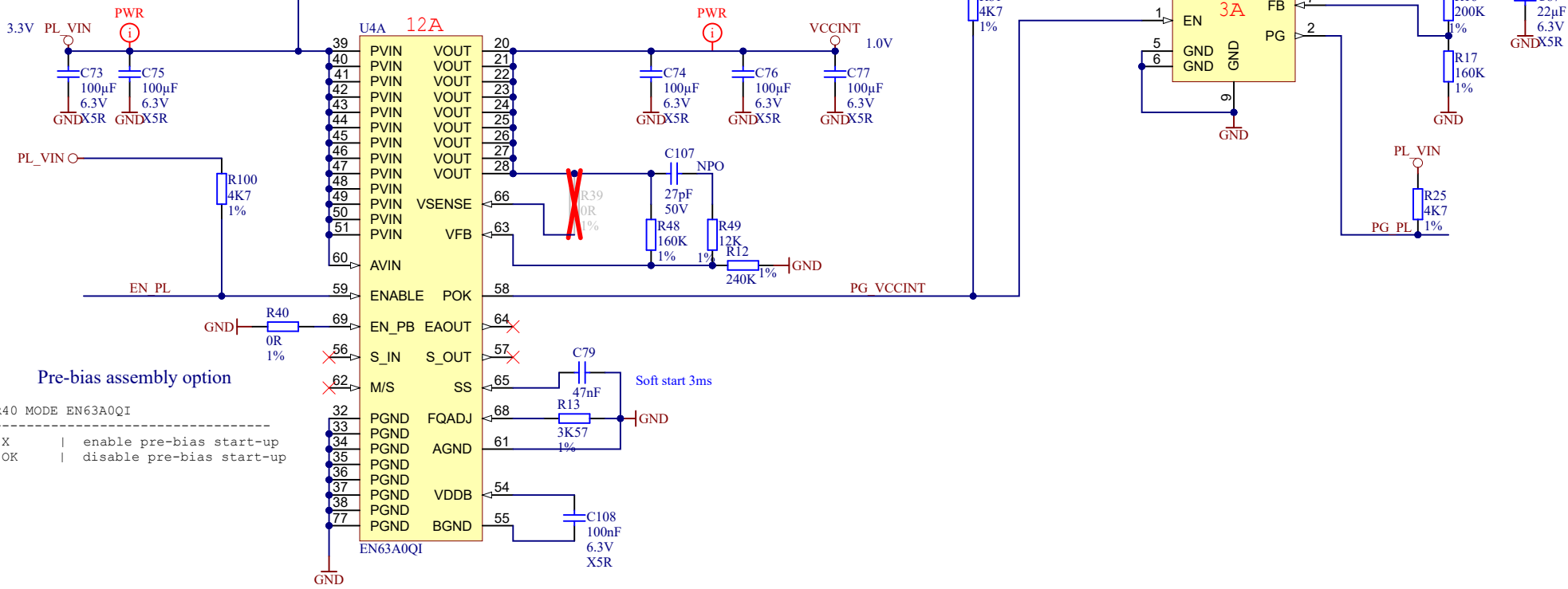


Slave ADDR:
1110000 OR 1110001

		Title: TE0745 - CLK	
		A4	Number: 20 93E31-A
Date: 2016-04-28		Copyright: Trenz Electronic GmbH / TT	
Filename: CLK.SchDoc		Page 20 of 25	



Title: TE0745 - RTC		
A4	Number: 21 93E31-A	Rev. 02
Date: 2016-04-28	Copyright: Trenz Electronic GmbH / TT	Page21 of 25
Filename: SENSOR-RTC.SchDoc		



Pre-bias assembly option

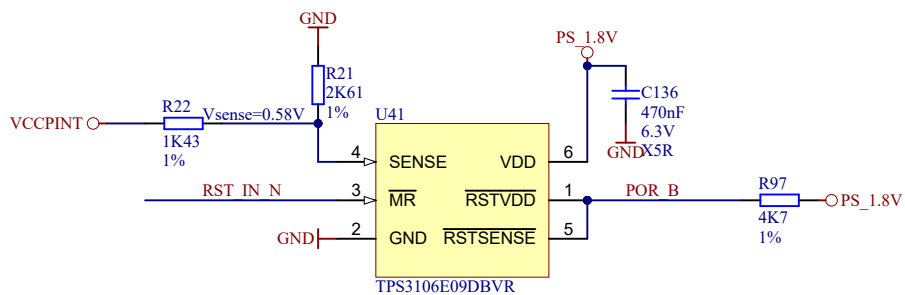
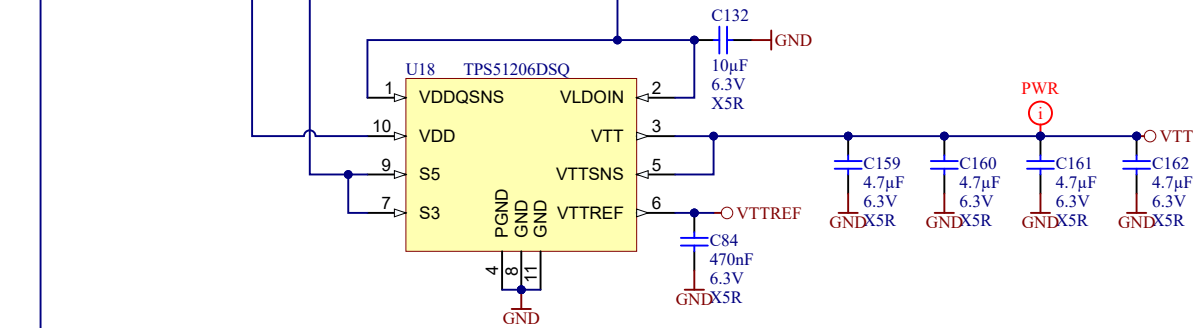
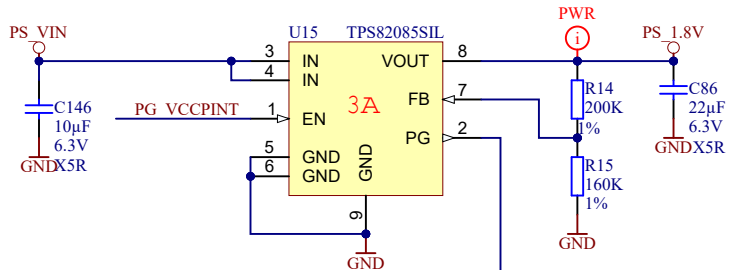
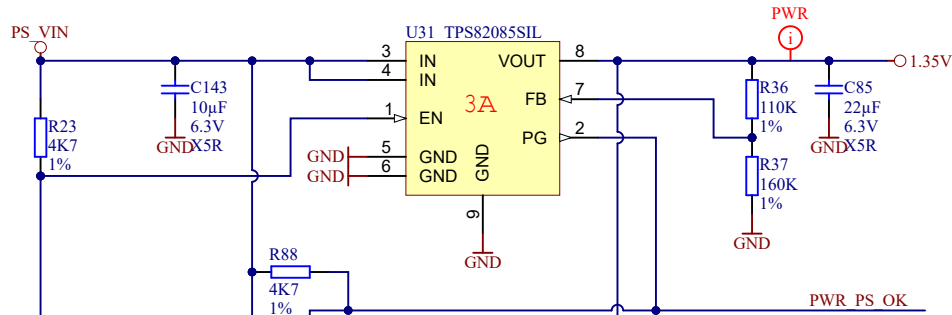
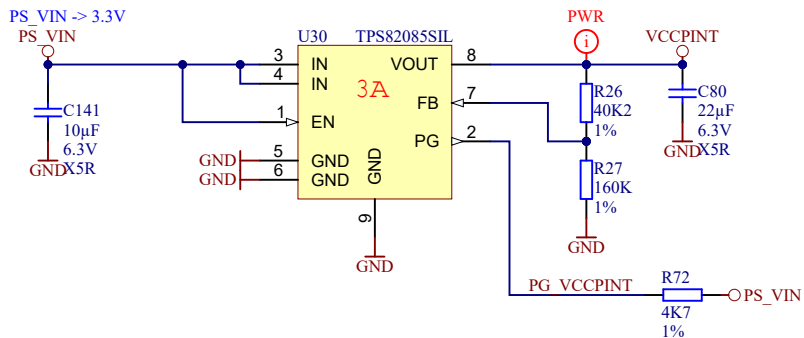
R39 R40 MODE EN63A0QI

OK X | enable pre-bias start-up
 X OK | disable pre-bias start-up

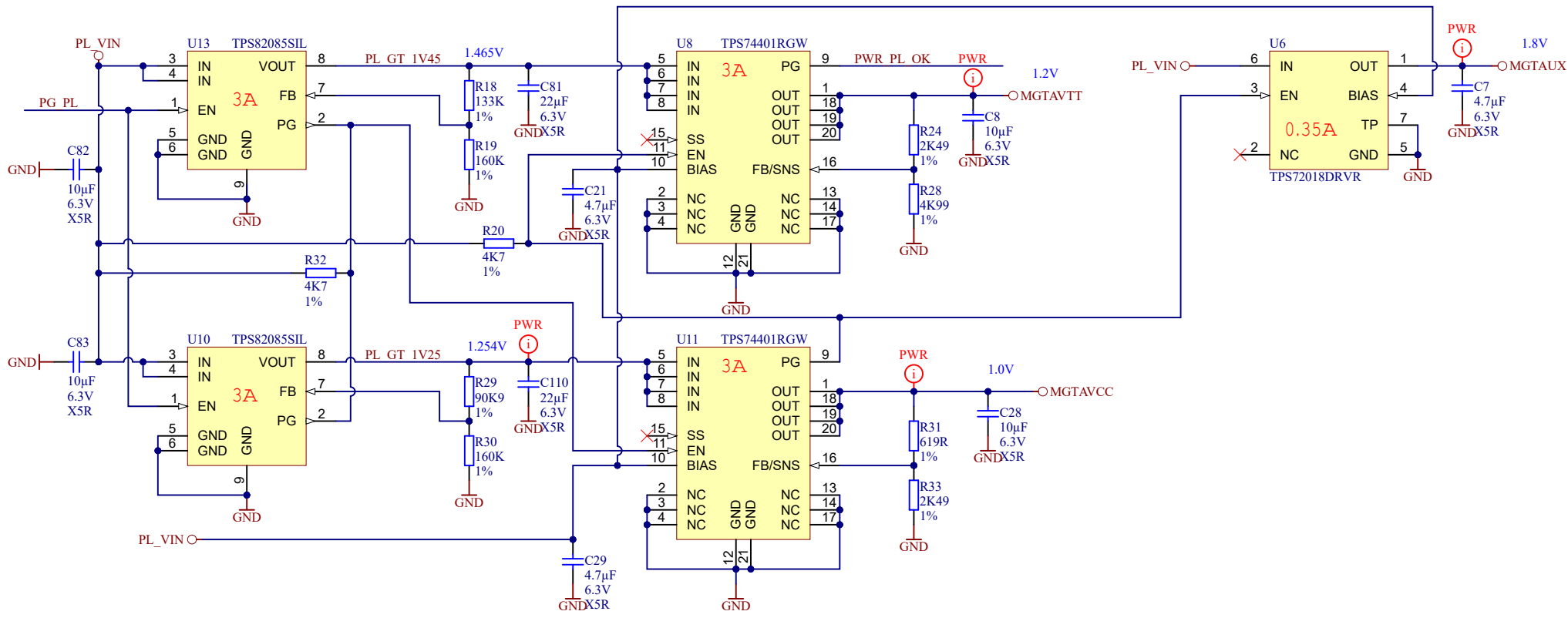
U4B		
1	NC	NC
2	NC	NC
3	NC	NC
4	NC	NC
5	NC	NC
6	NC	NC(SW)
7	NC	NC(SW)
8	NC	NC
9	NC	NC
10	NC	NC
11	NC	NC(SW)
12	NC	NC(SW)
13	NC	NC
14	NC	NC
15	NC	NC
16	NC	NC


EN63A0QI

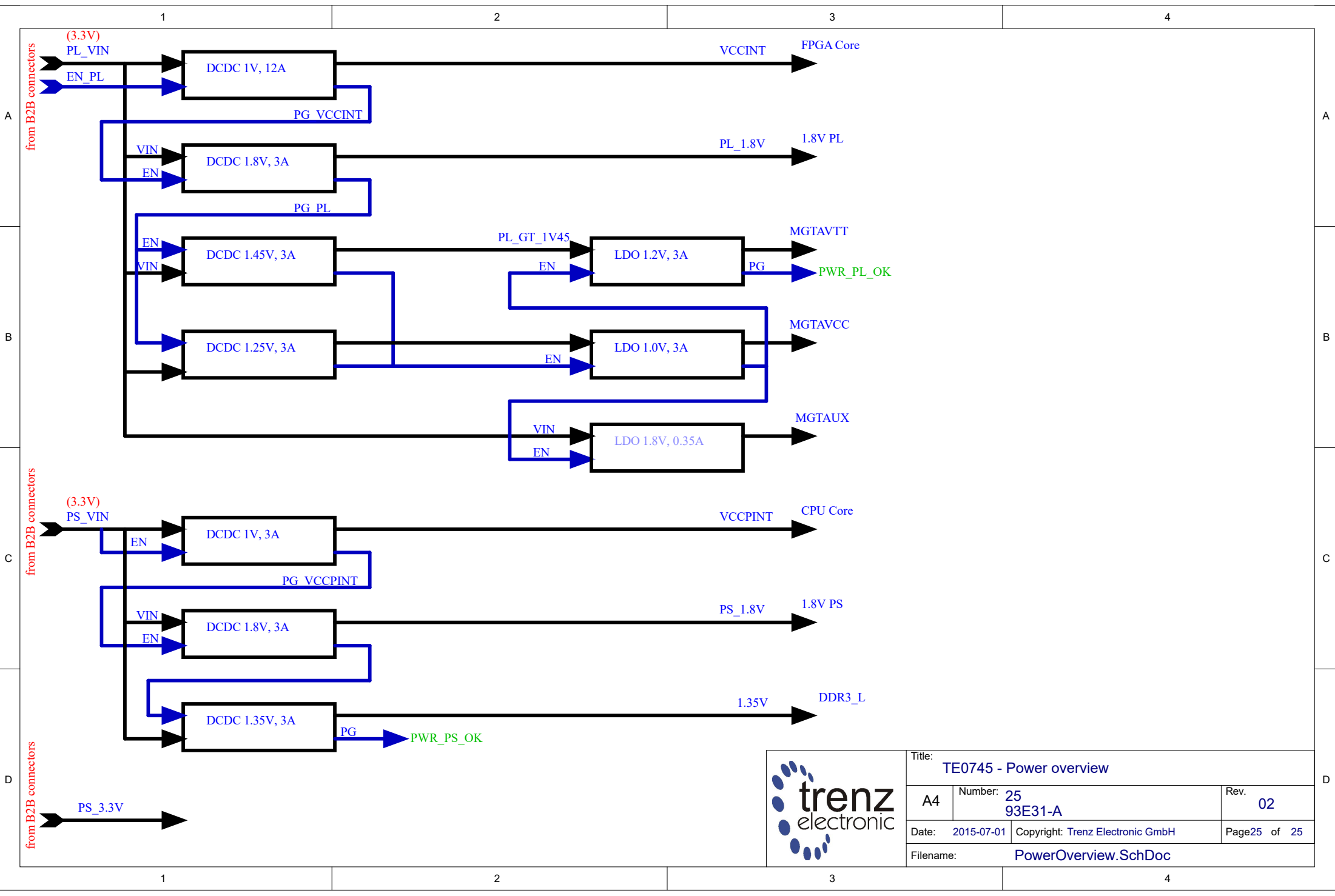
	Title: TE0745 - Power		
	A4	Number: 22 93E31-A	Rev. 02
	Date: 2016-04-28	Copyright: Trenz Electronic GmbH / TT	Page 22 of 25
	Filename: POWER.SchDoc		



Title: TE0745 - Power2		
A4	Number: 23 93E31-A	Rev. 02
Date: 2016-04-28	Copyright: Trenz Electronic GmbH / TT	Page23 of 25
Filename: POWER_2.SchDoc		



	Title: TE0745 - Power3		
	A4	Number: 24 93E31-A	Rev. 02
	Date: 2016-04-28	Copyright: Trenz Electronic GmbH / TT	Page24 of 25
	Filename: POWER_3.SchDoc		



Title: TE0745 - Power overview		
A4	Number: 25 93E31-A	Rev. 02
Date: 2015-07-01	Copyright: Trenz Electronic GmbH	Page 25 of 25
Filename: PowerOverview.SchDoc		