


Regarding the usage of our schematics and alike documentation for Trenz module TE0745.
 Project is protected under copyright and we strongly and strictly prohibit the reverse engineering or recreation,
 even if the design is just adapted or modified.
 TE0745 is protected under such right and in case of plagiarism we will have to do anything necessary in order to protect our assets.
 Schematics and other handouts serve for informational purposes only!

Design drawn by:	ED
Checked by:	MR
Assembly variant:	93E31-A
Created by:	MR
Modified by:	MR
Modified at:	2021-02-19

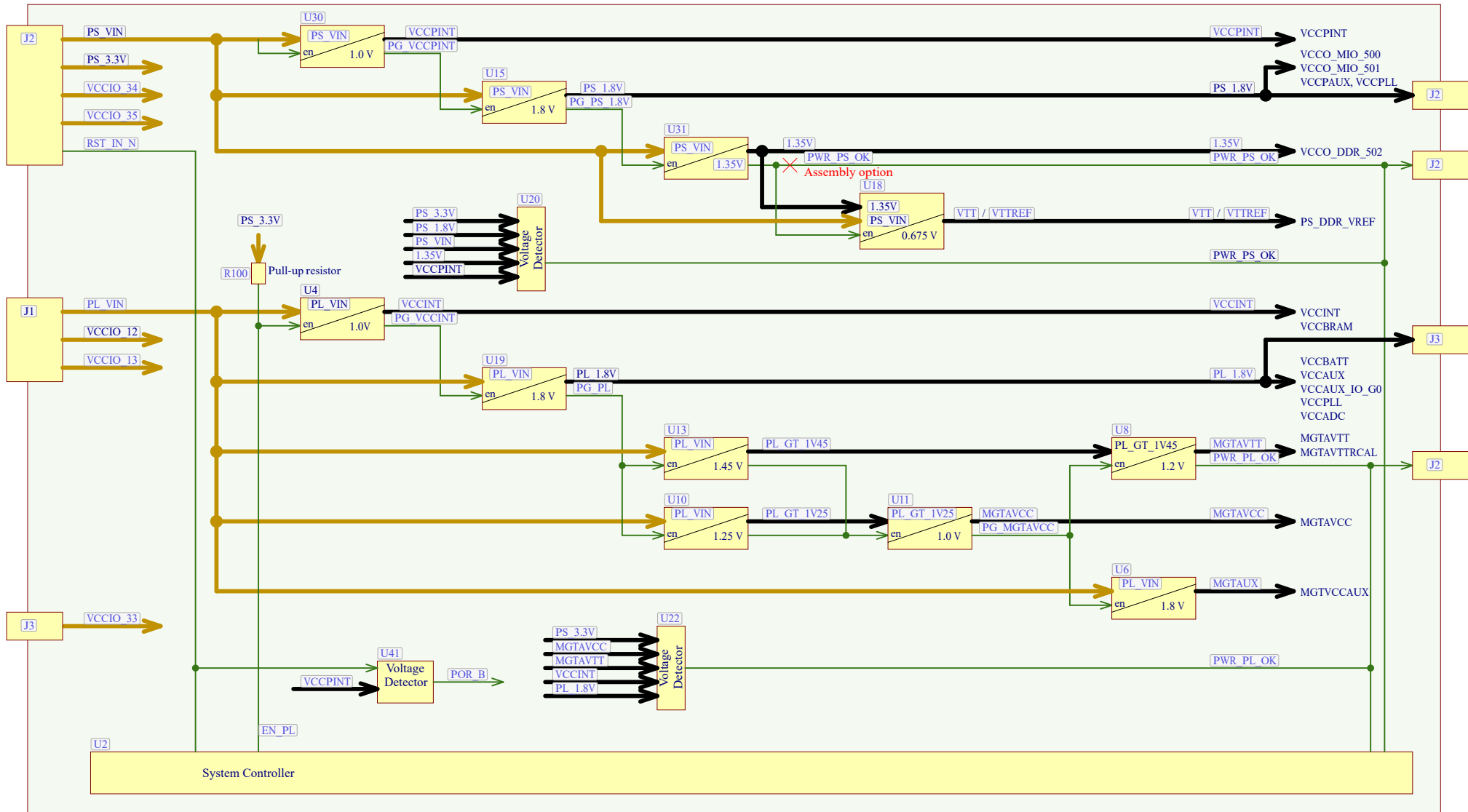


Title: TE0745 - Legal Notices Modules		
A4	Number: TE0745 93E31-A	Rev. 03
Date: 15.06.2023	Copyright: Trenz Electronic GmbH	Page 1 of 26
Filename: Legal Notices Modules.SchDoc		

REV	Description	
-01	Initial revision	
-02	1. MAC EEPROM Address patch fixed on PCB. 2. Lib components update.	
-03	<p>1. Removed serial number S/N. Connected U2 pin 20 to net "BOOTMODE".</p> <p>2. Changed DCDC (U4) from EN63A0Q1 to MP8869SGL-Z and adapted corresponding circuit. Added assembly option to connect U4 to I2C bus via R91/R101 (I2C address 0x61).</p> <p>3. Increase rated voltage for capacitors C108, C142, C147, C148, and C149 from 6.3 V to 25 V.</p> <p>4. Added diode D3 between signal "RST_IN_N" and "PS_1.8V".</p> <p>5. Added resistor R106 between CPLD U2 pin 25 and signal "RST_IN_N".</p> <p>6. Added option for diode D4 population between signal "PROG_B" and "INIT".</p> <p>7. Changed clock U33 from SiT8008A1-73-XXS-52.000000E to SiT8008BI-73-XXS-52.000000E.</p> <p>8. Added testpoints TP1...43.</p> <p>9. Added voltage monitors U20 and U22 with according circuits.</p> <p>10. Added pull-up resistor R73 for net "PWR_PL_OK".</p> <p>11. Added resistor R103 to optionally connect U31 PG to signal "PWR_PS_OK" or voltage monitor U20.</p> <p>12. Changed supply voltage for VCCPLL from PL_1.8V to PS_1.8V.</p> <p>13. Tied DXP/DXN (U1 pins R14 and R13) directly to GND.</p> <p>14. Added soft start capacitor options C62 for U8 and C78 for U11.</p> <p>15. Added decoupling capacitors</p> <ul style="list-style-type: none"> - C126, C127 for U16, - C129 for U14, - C130 for U19, - C131 for U18, - C144 for U8, - C150 for U11, - C151/C152 for U6, - C153/C154 for U17, - C155/C156 for U32, and - C128 and C157 for U1. <p>16. Changed voltage rating from 6.3 V to 10 V for 100 uF capacitors.</p> <p>17. Changed voltage rating from 6.3 V to 16 V for 10 uF capacitors.</p> <p>18. Changed voltage rating from 6.3 V to 10 V and size from 0402 to 0603 for capacitors C21 and C29.</p> <p>19. Changed size from 0201 to 0402 for 1 kOhm resistors R104 and R105.</p> <p>20. Added 100 Ohm termination resistors R109 and R110 for MGT_REF_CLKs.</p> <p>21. Changed VCCADC_0 supply from VCCIO_0 to PL_1.8V.</p> <p>22. Added UKCA logo.</p> <p>23. Changed voltage divider R21 and R22 to set threshold to 0.936 V.</p> <p>24. Changed DDR clock termination resistor R9 placement position.</p> <p>25. Changed fiducials to standard fiducial type.</p> <p>26. Update revision history.</p> <p>27. Update schematic template.</p> <p>28. Updated power overview.</p> <p>29. Removed page "ZYNQ.SchDoc" and added pages Legal Notices, System Overview.</p>	ED

		Title: TE0745 - Revision Changes		
		A4	Number: TE0745 93E31-A	Rev. 03
		Date: 15.06.2023	Copyright: Trenz Electronic GmbH	Page 2 of 26
		Filename: Revision Changes.SchDoc		

Power-on sequencing:



Title: TE0745 - Power overview		
A4	Number: TE0745 93E31-A	Rev. 03
Date: 15.06.2023	Copyright: Trenz Electronic GmbH	Page 4 of 26
Filename: PowerOverview.SchDoc		

Special notes:

UKCA

UKCA Logo on Top Overlay

UKCA-TOPOVERLAY

CE

CE Logo on Top Overlay

CE-TOPOVERLAY

LOGO1

TE Logo PRINT Layer

LOGO PRINT

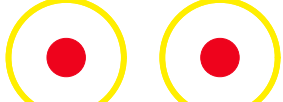
FIDU-DOT - small FIDU-DOT - small



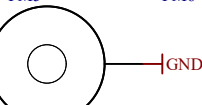
PM1 FIDU-DOT - small PM2 FIDU-DOT - small



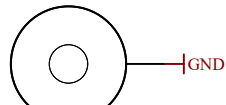
PM3 FIDU-DOT - small PM4 FIDU-DOT - small



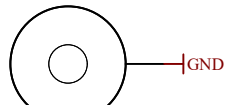
PM5 PM6



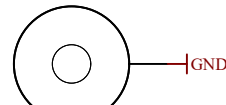
Mount.Hole 3.2mm für Unterlegscheibe



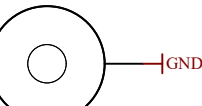
Mount.Hole 3.2mm für Unterlegscheibe



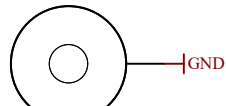
Mount.Hole 3.2mm für Unterlegscheibe



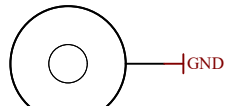
Mount.Hole 3.2mm für Unterlegscheibe



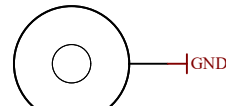
Mount.Hole 3.2mm für Unterlegscheibe



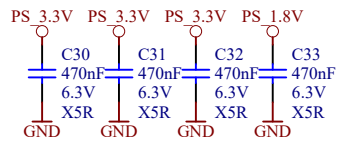
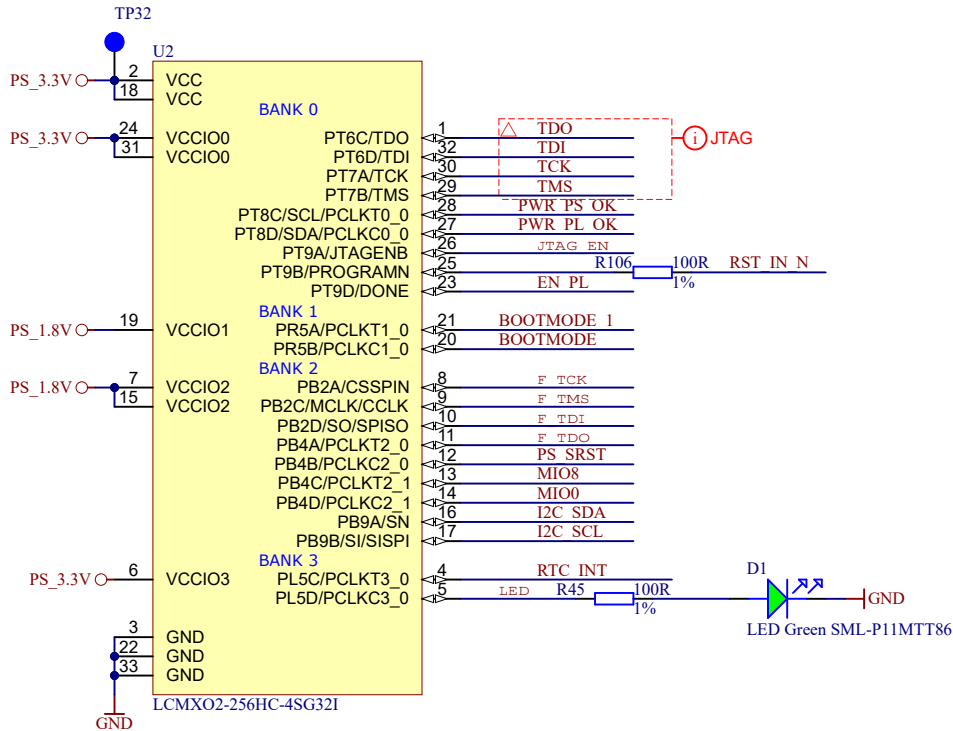
Mount.Hole 3.2mm für Unterlegscheibe



Mount.Hole 3.2mm für Unterlegscheibe



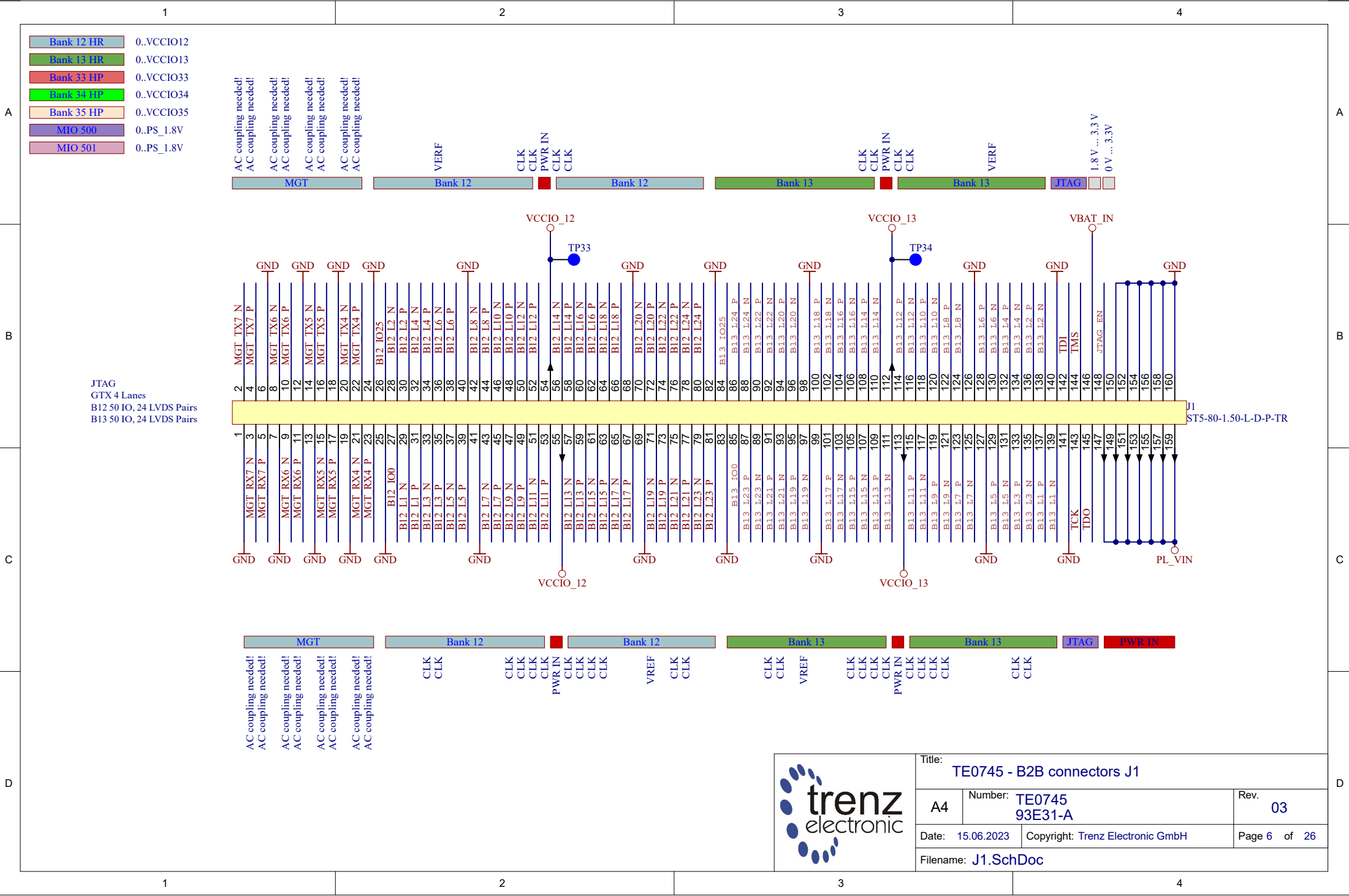

Mount.Hole 3.2mm für Unterlegscheibe



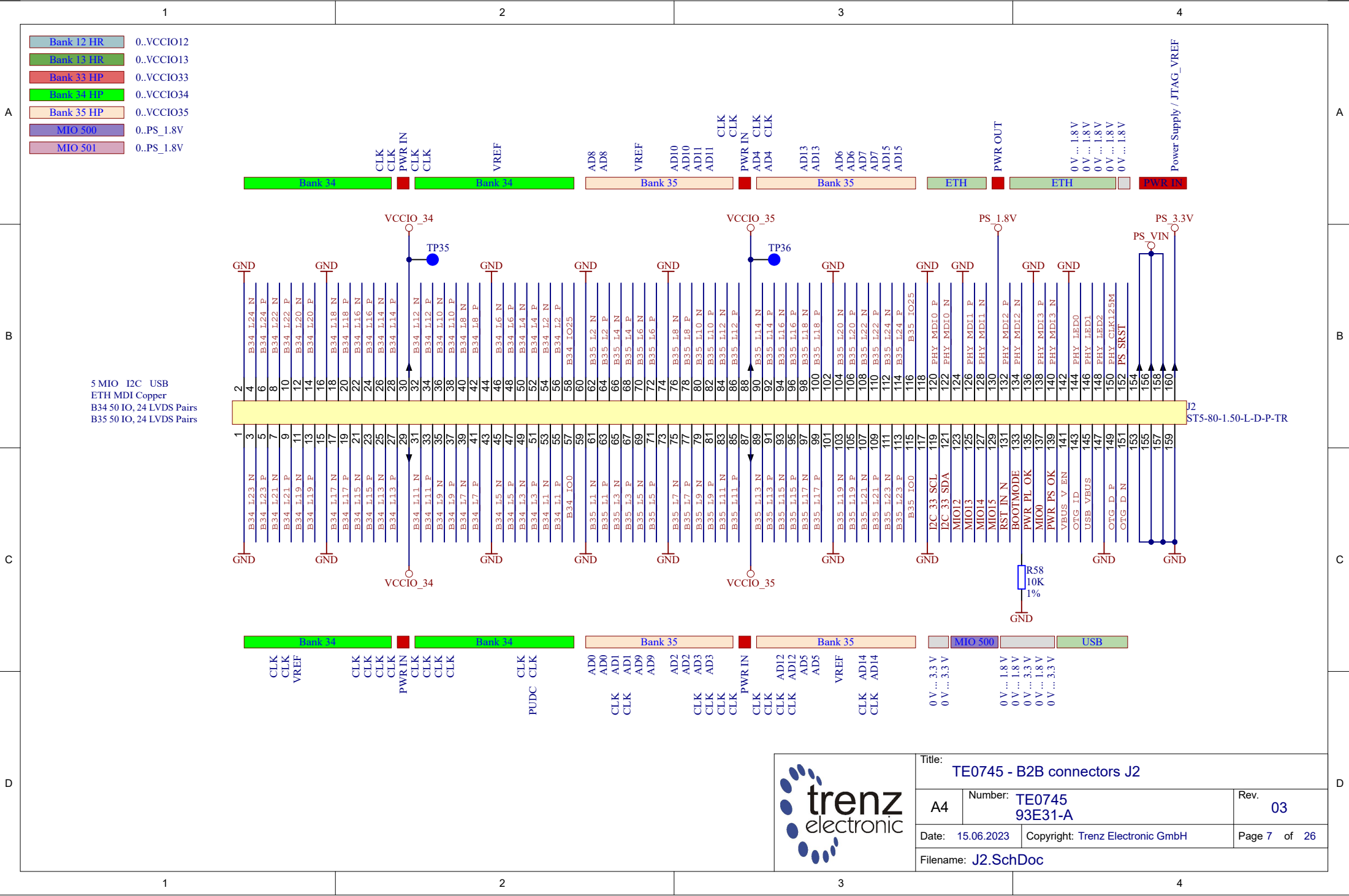
Serial
SerialNumber 6,3 x 6.3mm



Title: TE0745 - System Controller		
A4	Number: TE0745 93E31-A	Rev. 03
Date: 22.05.2023	Copyright: Trenz Electronic GmbH	Page 5 of 26
Filename: TE0745.SchDoc		

Title: TE0745 - B2B connectors J1		
A4	Number: TE0745 93E31-A	Rev. 03
Date: 15.06.2023	Copyright: Trenz Electronic GmbH	Page 6 of 26
Filename: J1.SchDoc		

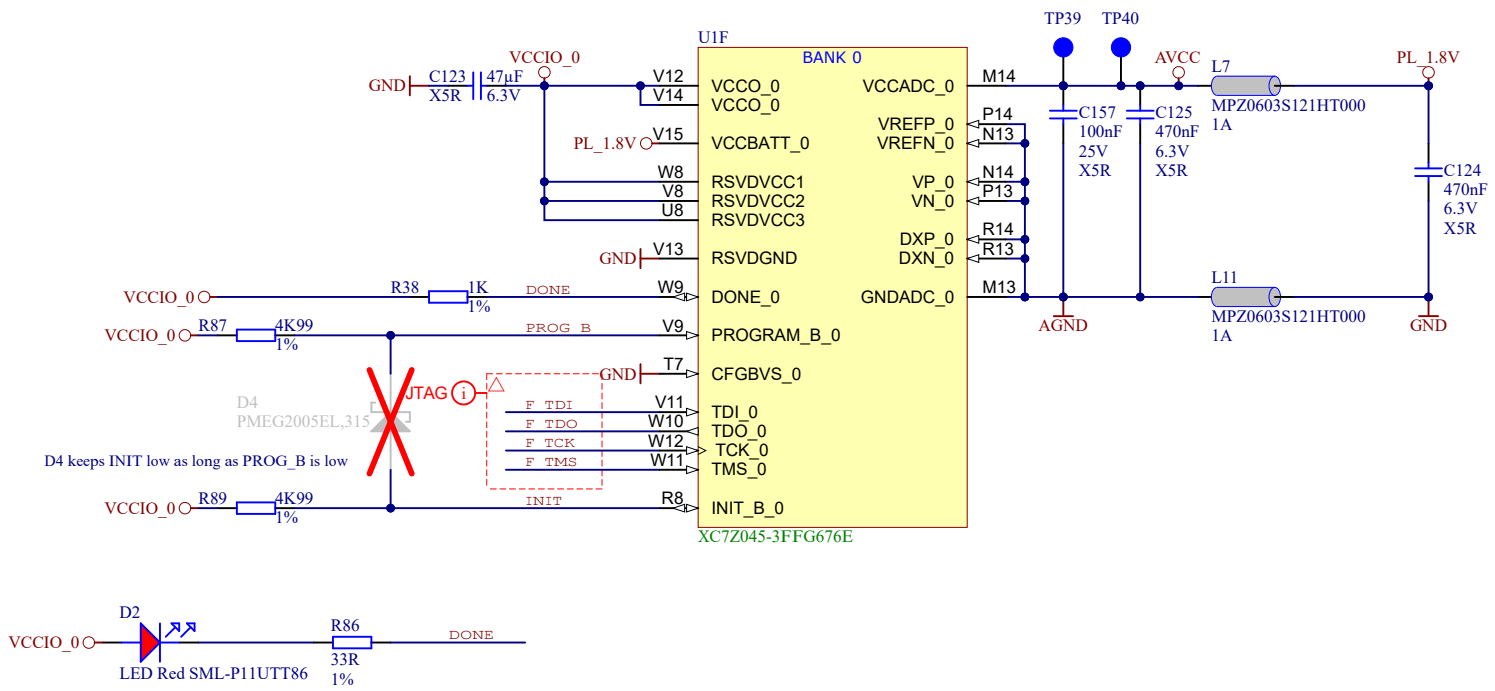
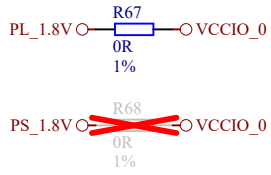


5 MIO I2C USB
 ETH MDI Copper
 B34 50 IO, 24 LVDS Pairs
 B35 50 IO, 24 LVDS Pairs

J2
 ST5-80-1.50-L-D-P-TR

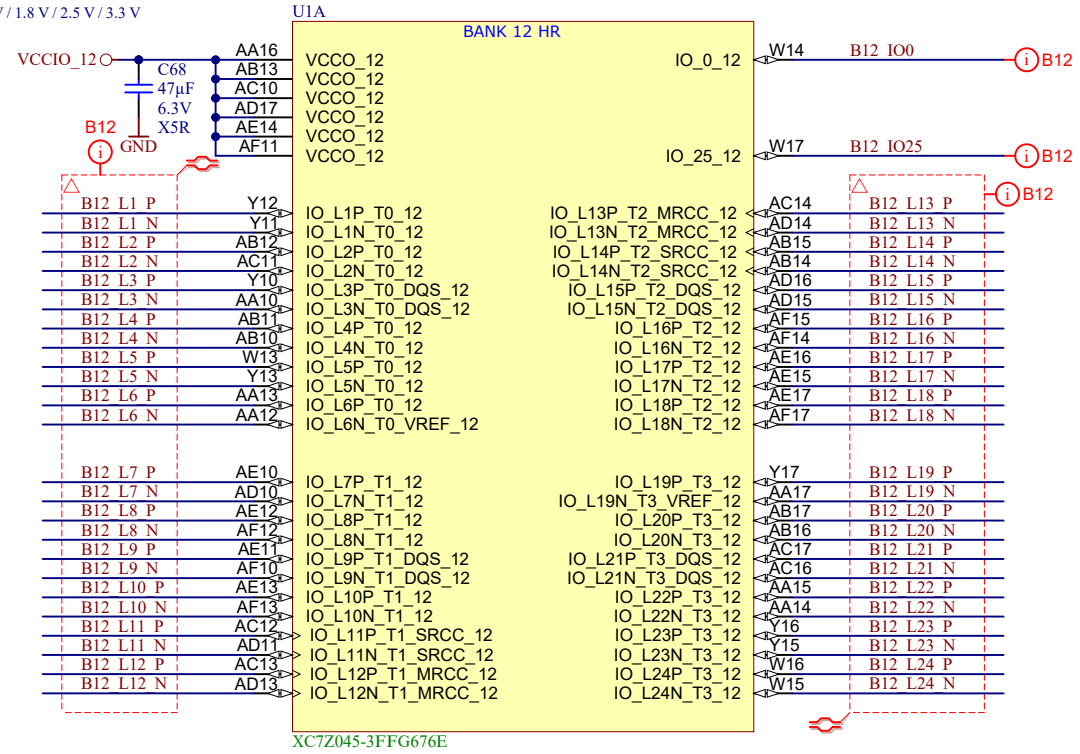


Title: TE0745 - B2B connectors J2		
A4	Number: TE0745 93E31-A	Rev. 03
Date: 15.06.2023	Copyright: Trenz Electronic GmbH	Page 7 of 26
Filename: J2.SchDoc		



	Title: TE0745 - Zynq_MISC		
	A4	Number: TE0745 93E31-A	Rev. 03
	Date: 10.05.2023	Copyright: Trenz Electronic GmbH	Page 9 of 26
	Filename: ZYNQ_MISC.SchDoc		

HR
1.2 V/1.35 V/1.5 V/1.8 V/2.5 V/3.3 V

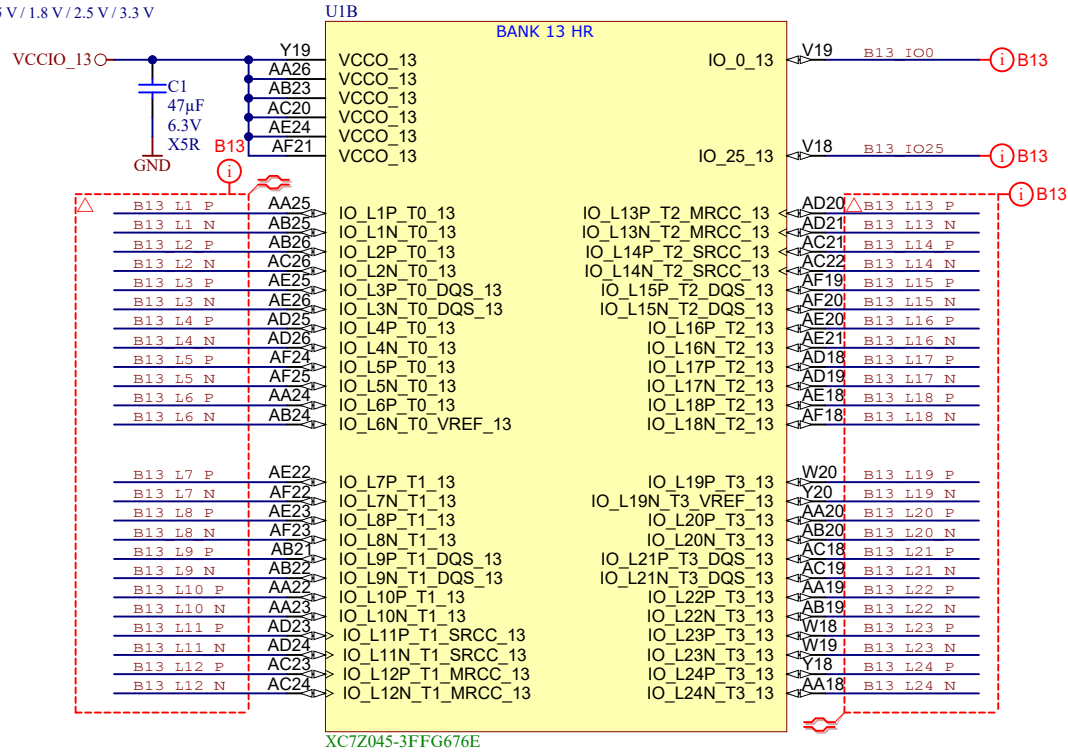


XC7Z045-3FFG676E

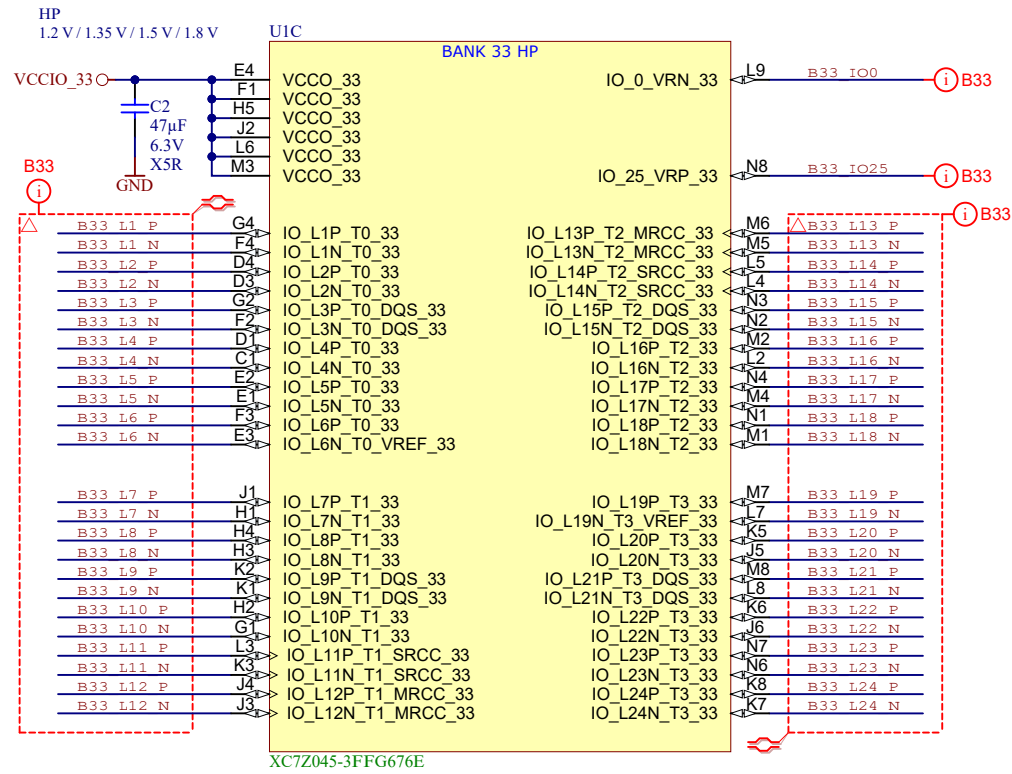


Title: TE0745 - Zynq_B12		
A4	Number: TE0745 93E31-A	Rev. 03
Date: 22.05.2023	Copyright: Trenz Electronic GmbH	Page 10 of 26
Filename: B12.SchDoc		

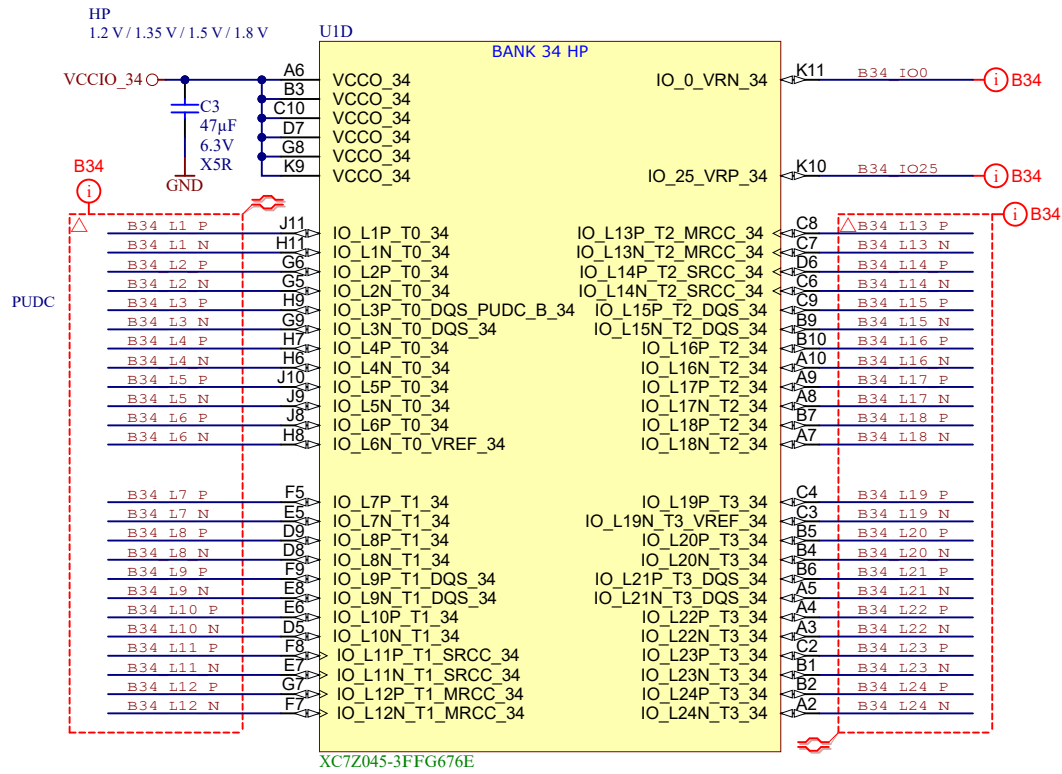
HR
1.2V/1.35V/1.5V/1.8V/2.5V/3.3V



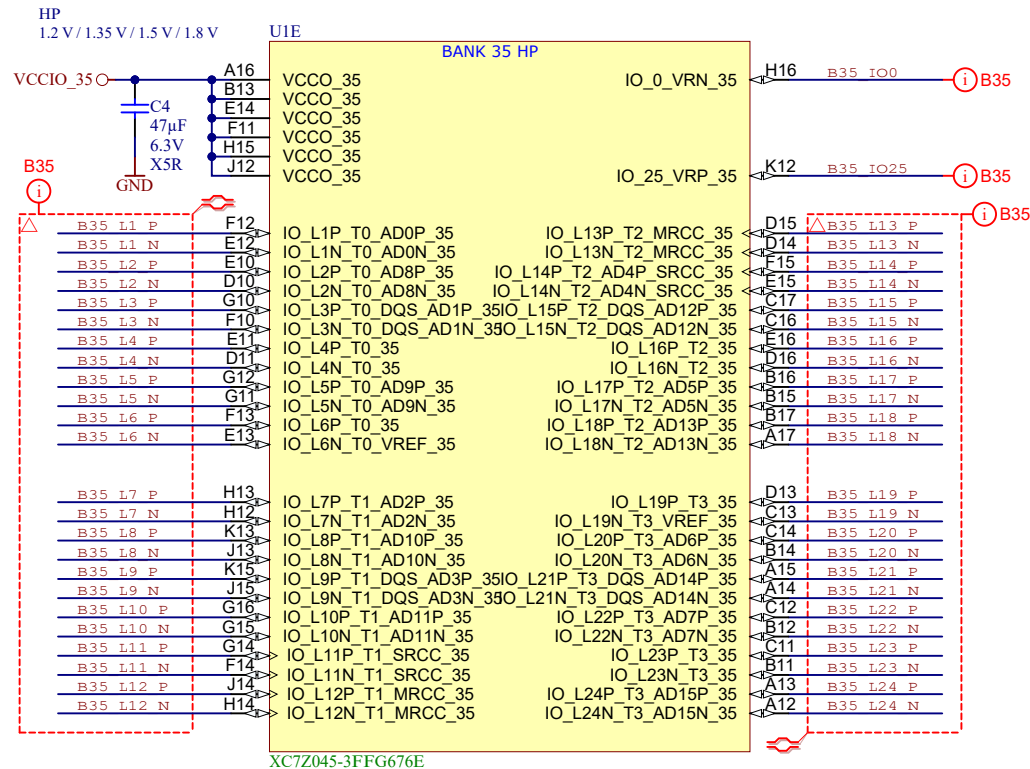
Title: TE0745 - Zynq_B13		
A4	Number: TE0745 93E31-A	Rev. 03
Date: 22.05.2023	Copyright: Trenz Electronic GmbH	Page 11 of 26
Filename: B13.SchDoc		




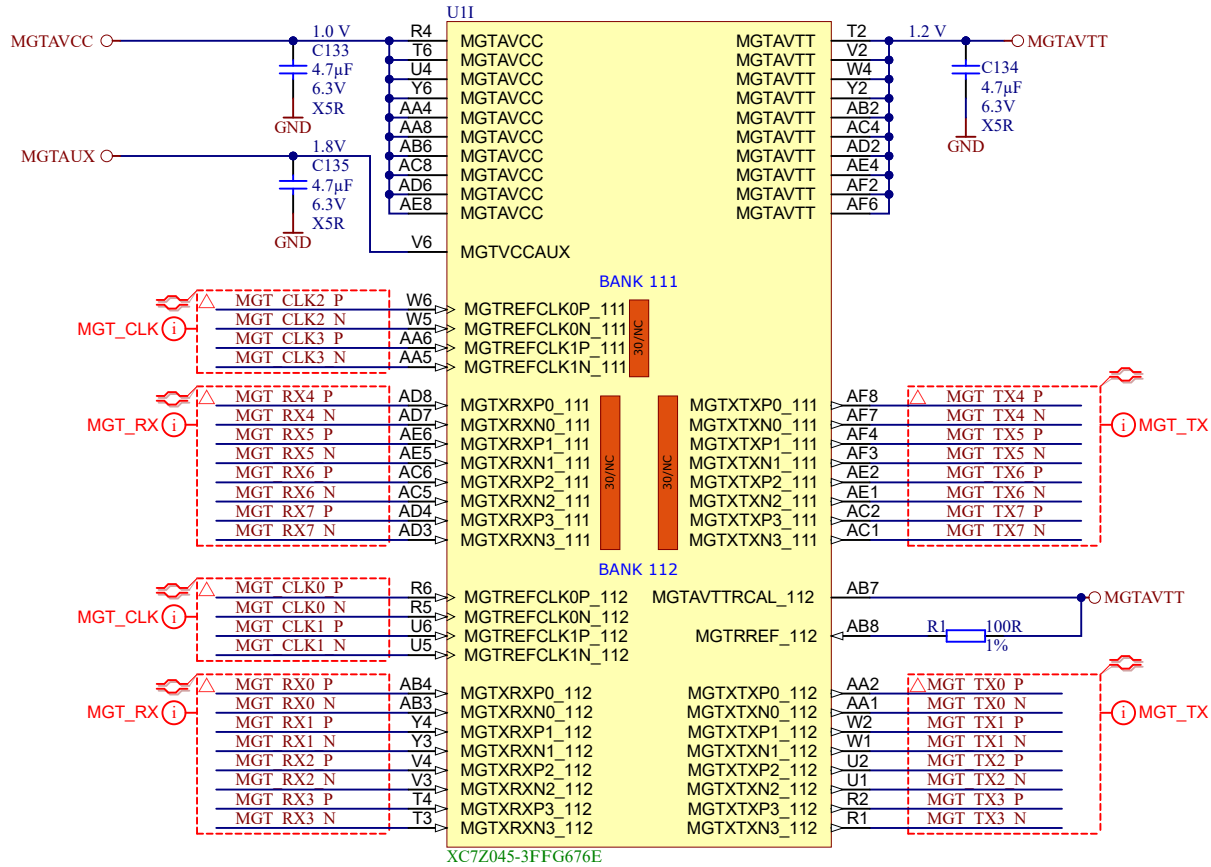
Title: TE0745 - Zynq_B33		
A4	Number: TE0745 93E31-A	Rev. 03
Date: 22.05.2023	Copyright: Trenz Electronic GmbH	Page 12 of 26
Filename: B33.SchDoc		



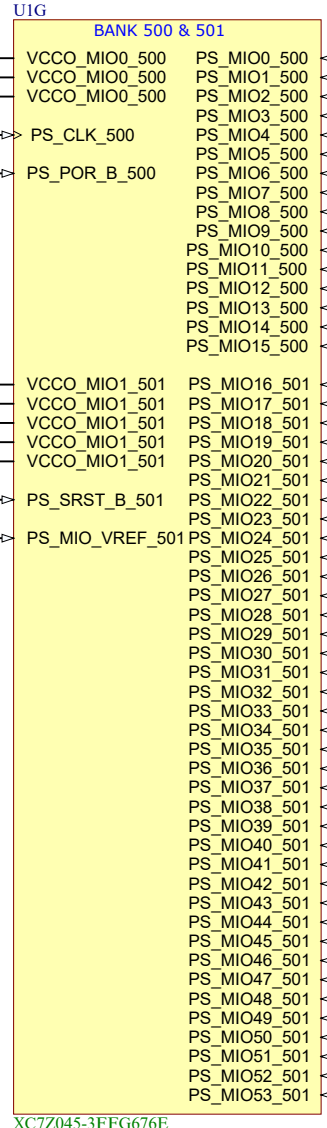
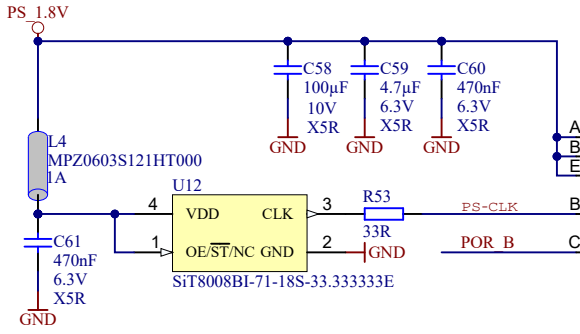
Title: TE0745 - Zynq_B34		
A4	Number: TE0745 93E31-A	Rev. 03
Date: 22.05.2023	Copyright: Trenz Electronic GmbH	Page 13 of 26
Filename: B34.SchDoc		



		Title: TE0745 - Zynq_B35	
		A4	Number: TE0745 93E31-A
Date: 22.05.2023		Copyright: Trenz Electronic GmbH	
Filename: B35.SchDoc		Page 14 of 26	

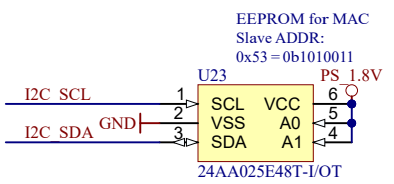
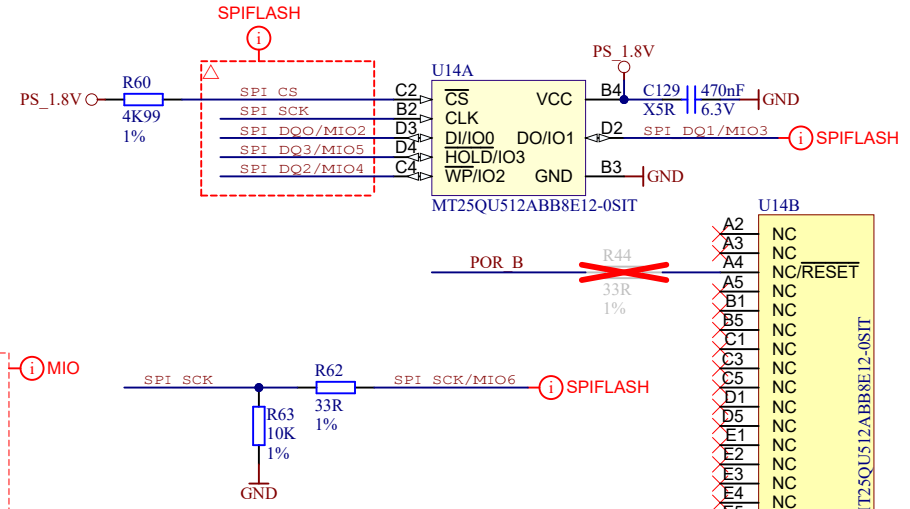
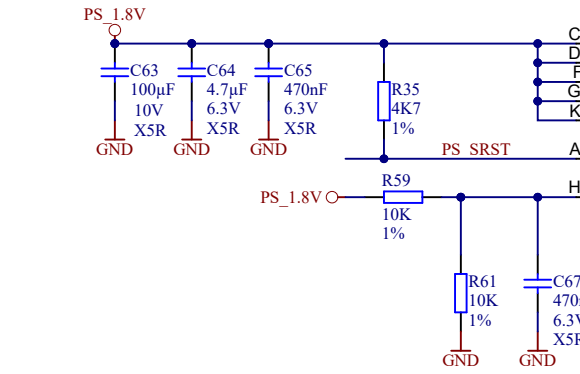


Title: TE0745 - Zynq_MGT		
A4	Number: TE0745 93E31-A	Rev. 03
Date: 22.05.2023	Copyright: Trenz Electronic GmbH	Page 15 of 26
Filename: FPGA_MGT.SchDoc		



MIO Bank Voltage	MIO7 Bank0	MIO8 Bank1
2.5 V, 3.3 V	0	0
1.8 V	1	1

BOOT MODE	MIO5	MIO4	MIO3
JTAG Boot Mode	0	0	0
NOR Boot	0	0	1
NAND	0	1	0
Quad-SPI	1	0	0
SD Card	1	1	0

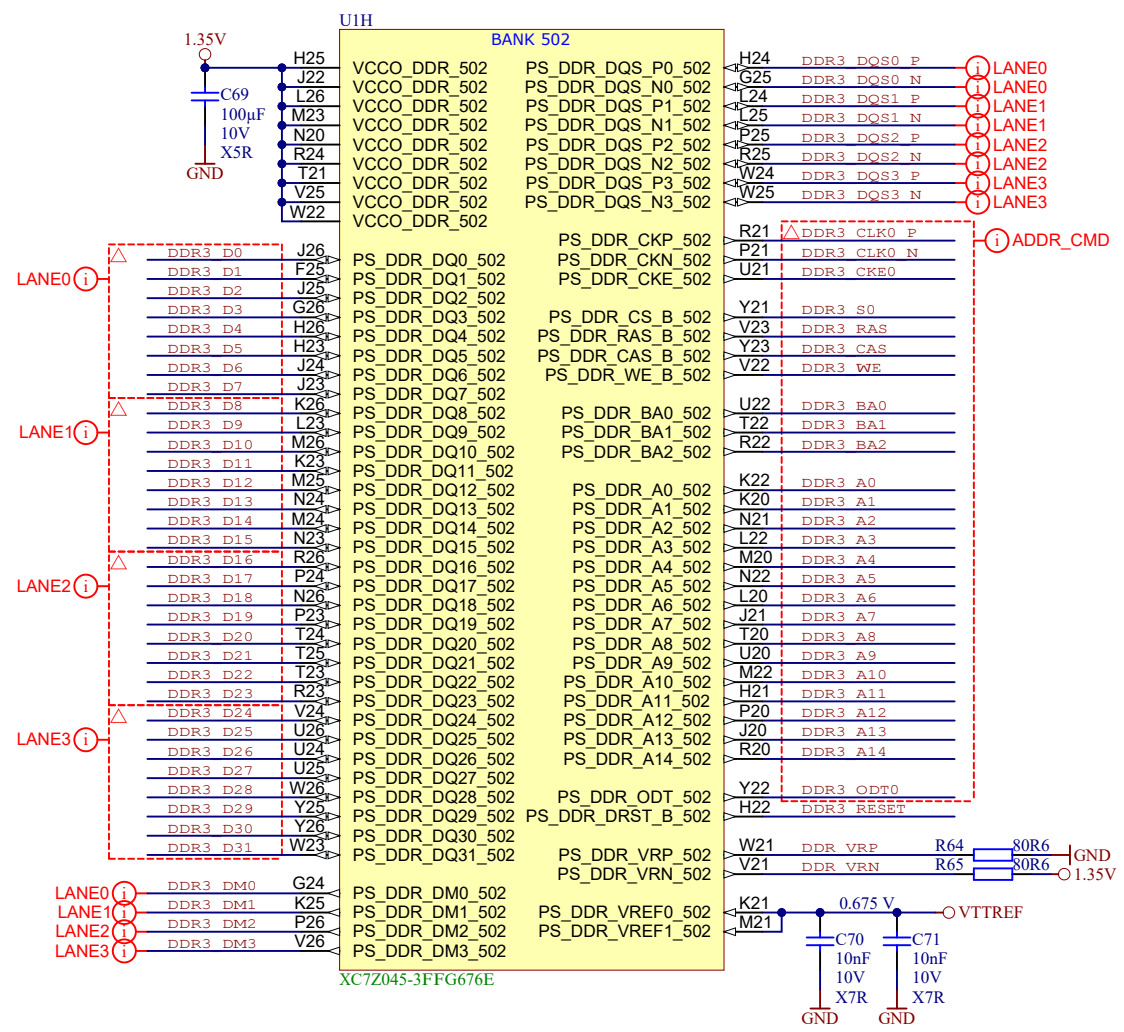


EEPROM for MAC Slave ADDR:
0x53=0b1010011

XC7Z045-3FFG676E



Title: TE0745 - Zynq_MIO_Banks		
A4	Number: TE0745 93E31-A	Rev. 03
Date: 22.05.2023	Copyright: Trenz Electronic GmbH	Page 16 of 26
Filename: MIO_B500.SchDoc		

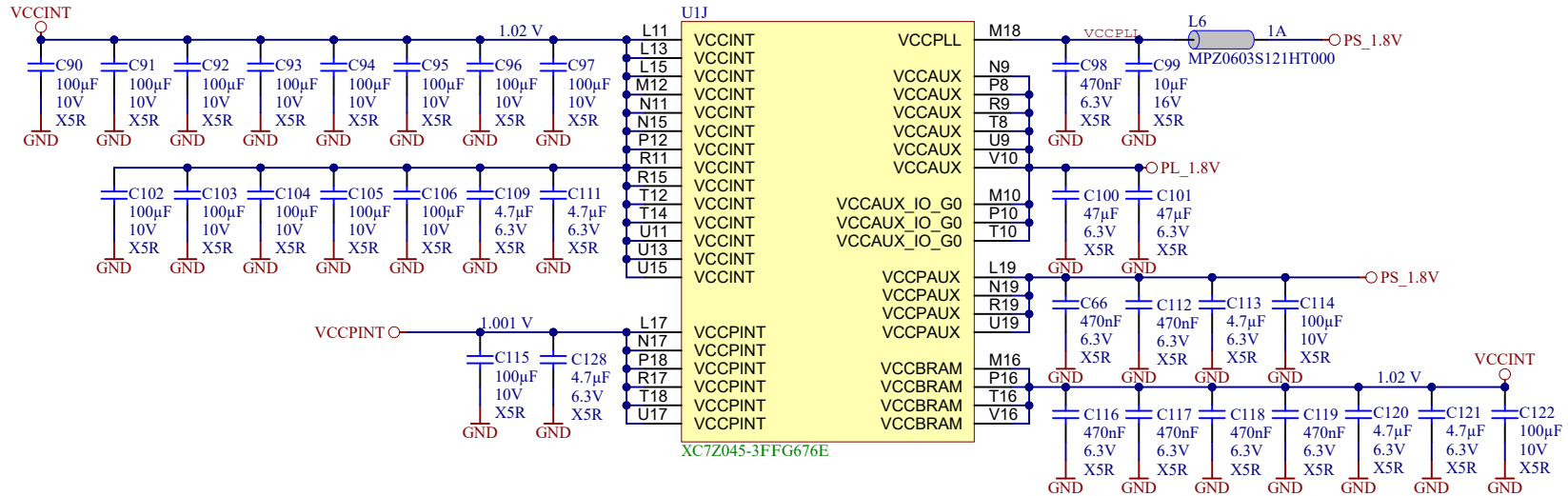
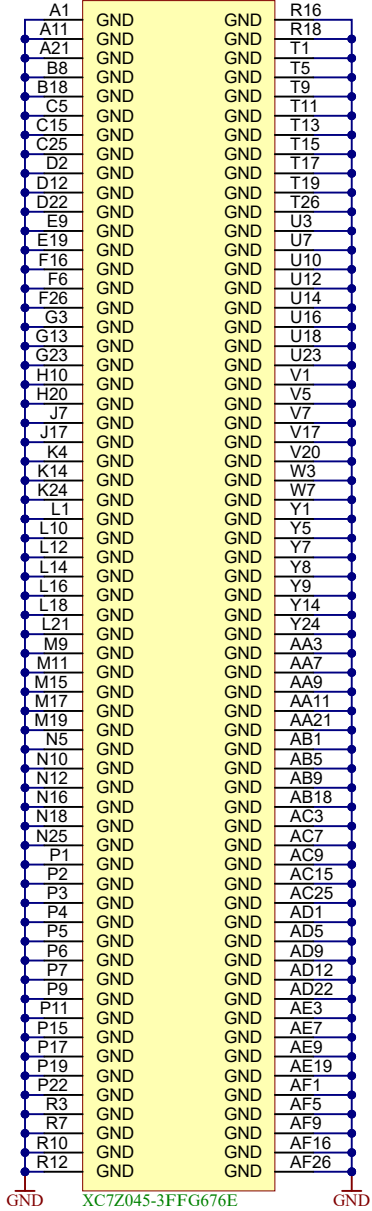


trenz electronic

Title: **TE0745 - Zynq_PS_DDR**

A4	Number: TE0745 93E31-A	Rev. 03
Date: 22.05.2023	Copyright: Trenz Electronic GmbH	Page 17 of 26
Filename: PS-DDR.SchDoc		

UIK



A

A

B

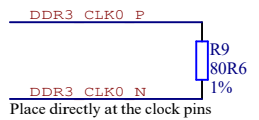
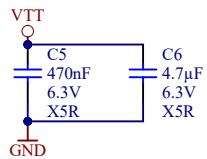
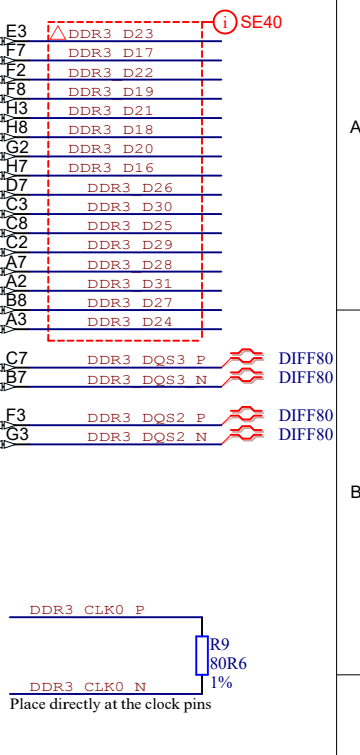
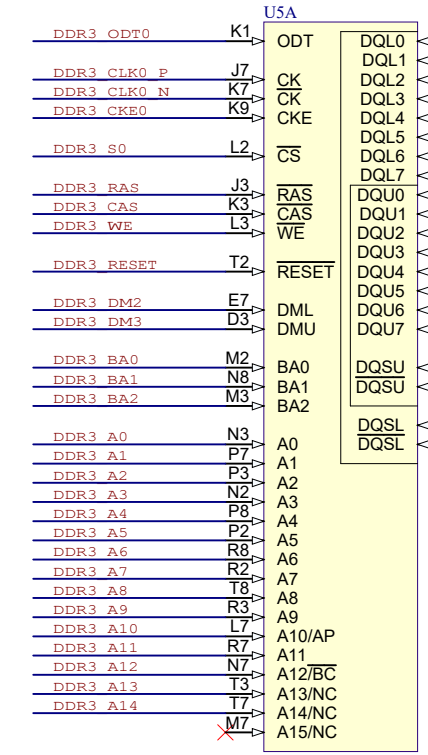
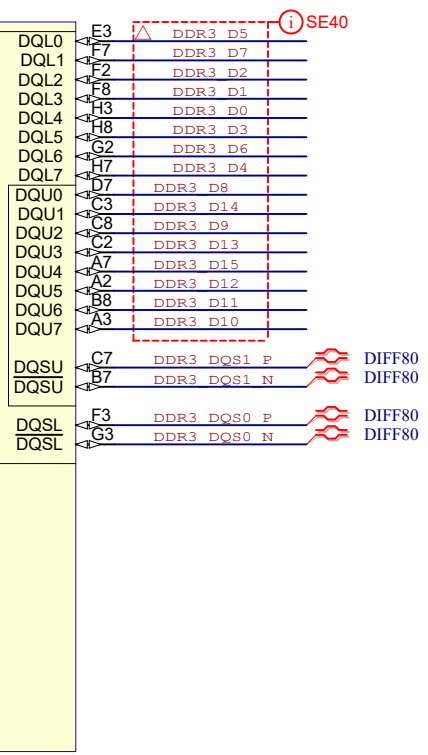
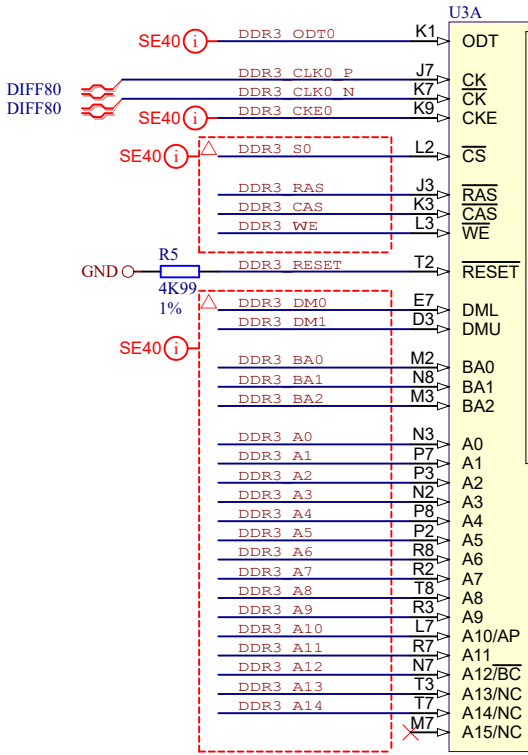
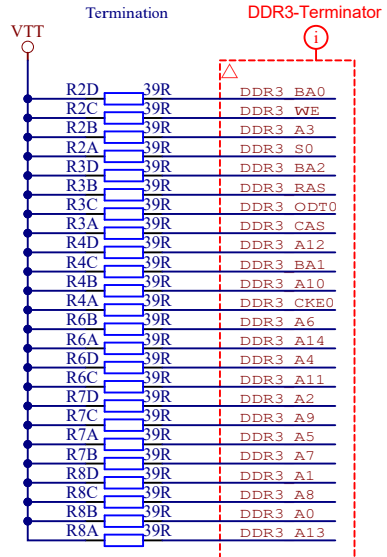
B

C

C

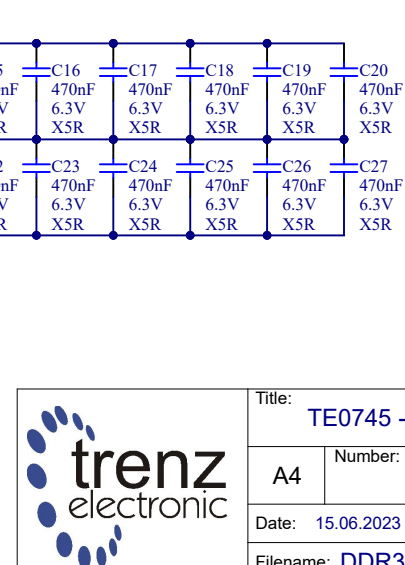
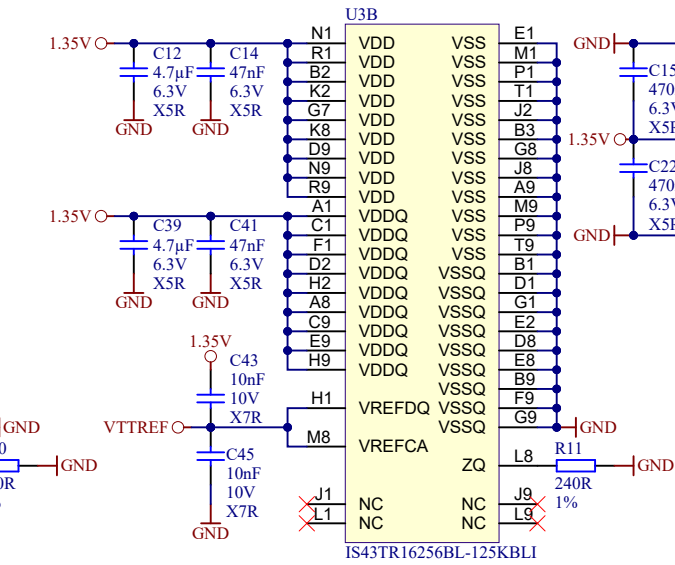
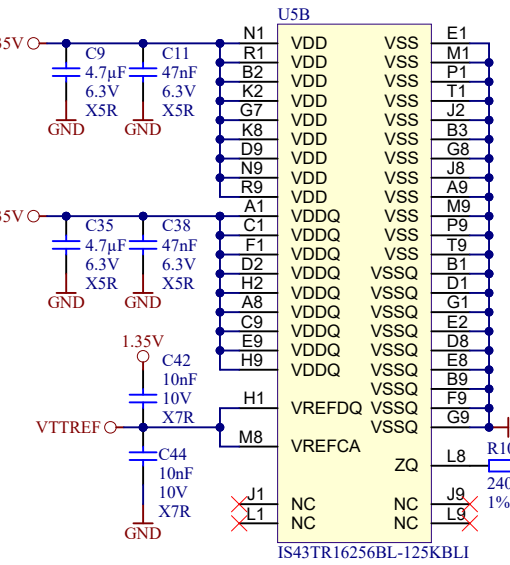
D

D



IS43TR16256BL-125KBLI

IS43TR16256BL-125KBLI

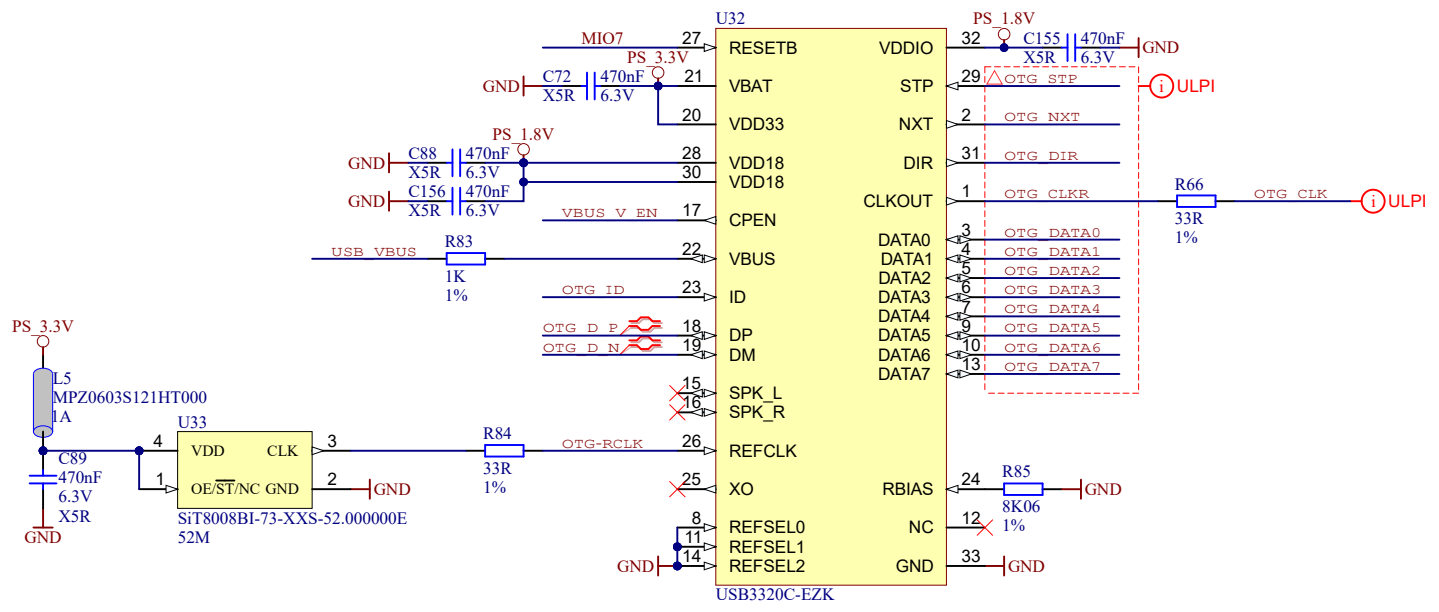


IS43TR16256BL-125KBLI

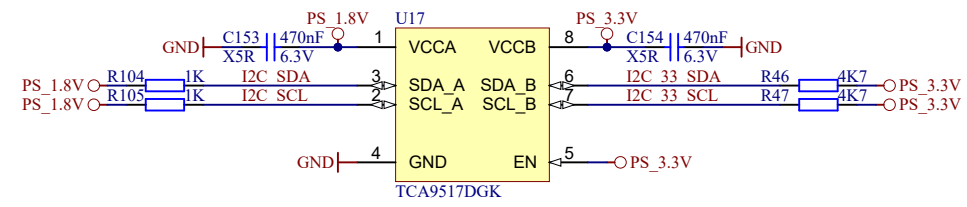
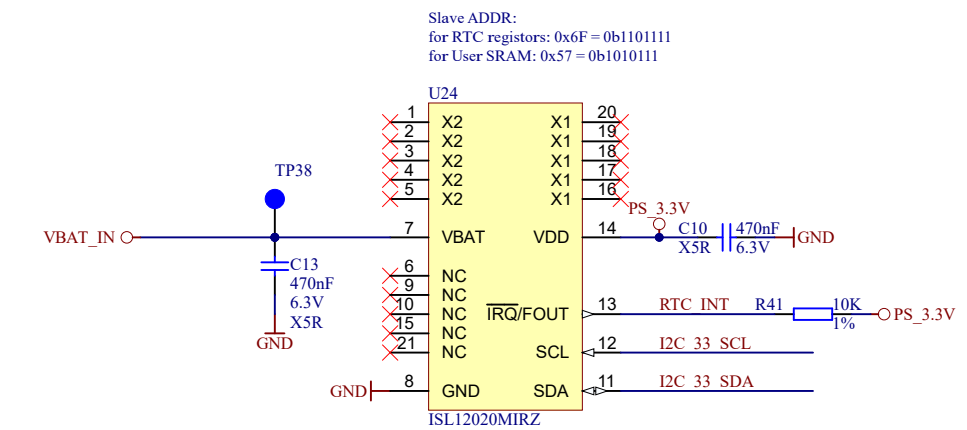

IS43TR16256BL-125KBLI



Title: TE0745 - DDR3 RAM		
A4	Number: TE0745 93E31-A	Rev. 03
Date: 15.06.2023	Copyright: Trenz Electronic GmbH	Page 19 of 26
Filename: DDR3-RAM.SchDoc		

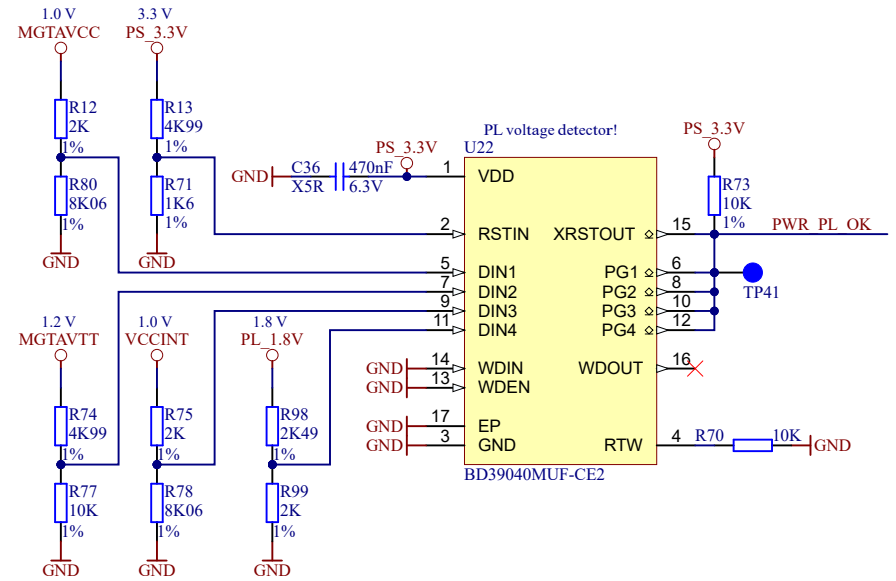
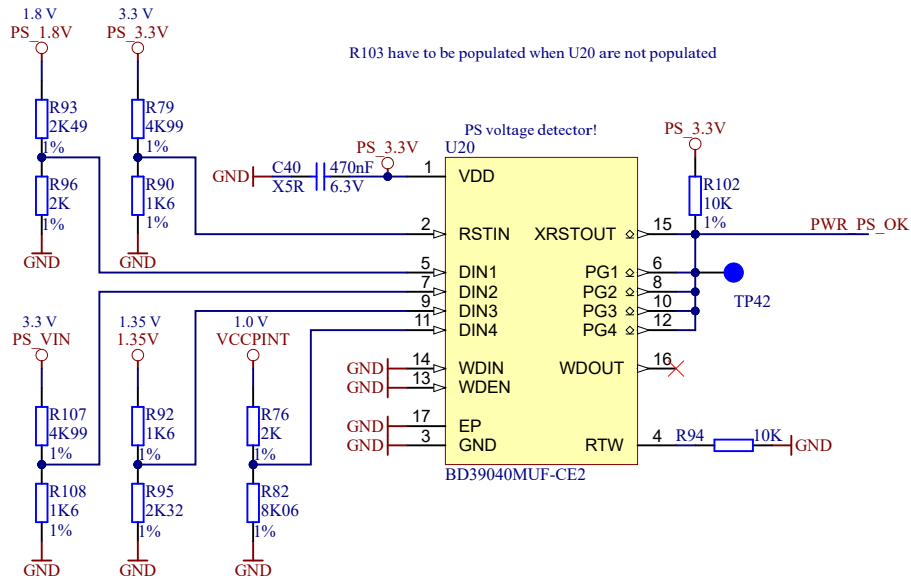
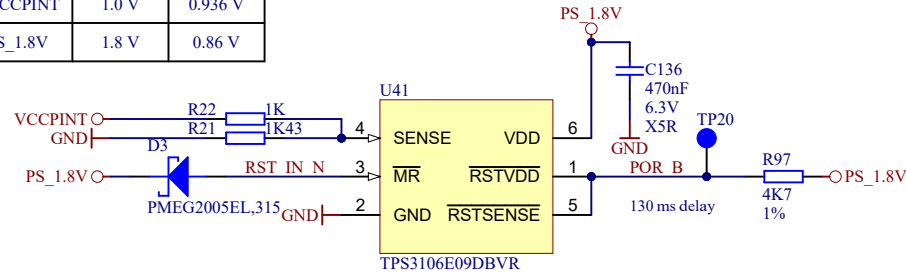


	Title: TE0745 - USB_PHY		
	A4	Number: TE0745 93E31-A	Rev. 03
	Date: 22.05.2023	Copyright: Trenz Electronic GmbH	Page 20 of 26
	Filename: USB-PHY.SchDoc		

Title: TE0745 - RTC		
A4	Number: TE0745 93E31-A	Rev. 03
Date: 22.05.2023	Copyright: Trenz Electronic GmbH	Page 23 of 26
Filename: SENSOR-RTC.SchDoc		

Net Name	Voltage Rail	Low Detect
VCCPINT	1.0 V	0.936 V
PS_1.8V	1.8 V	0.86 V

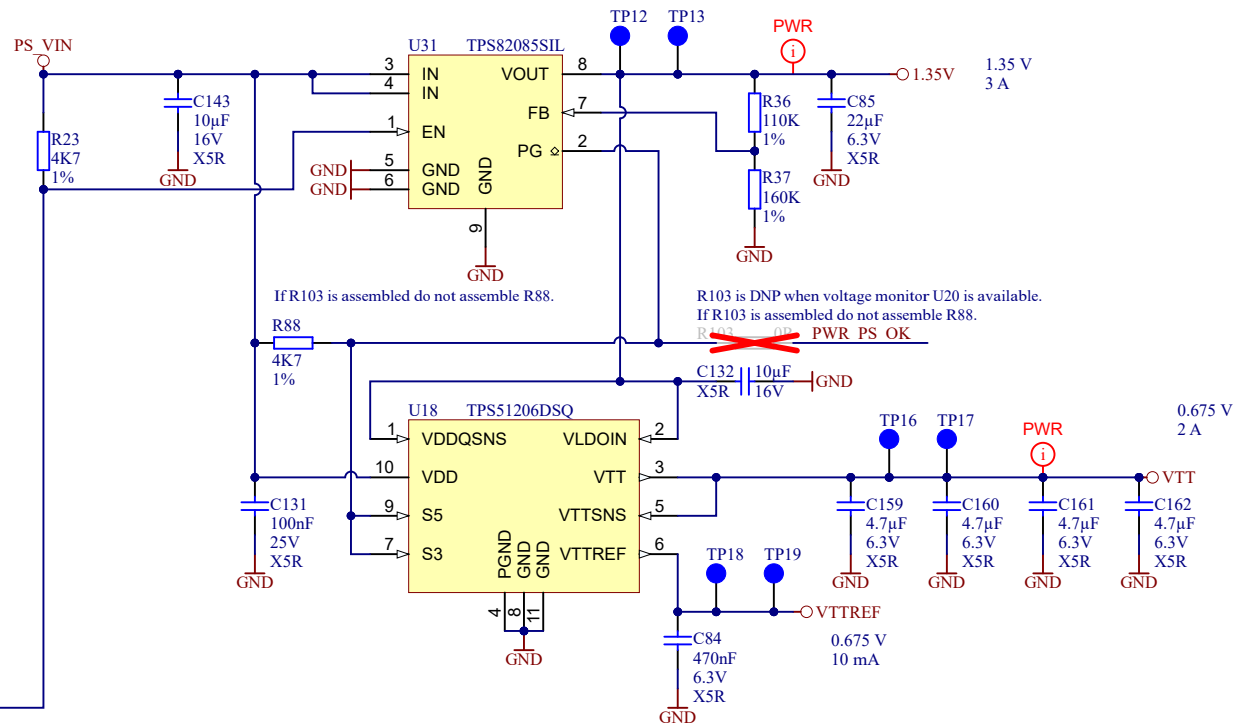
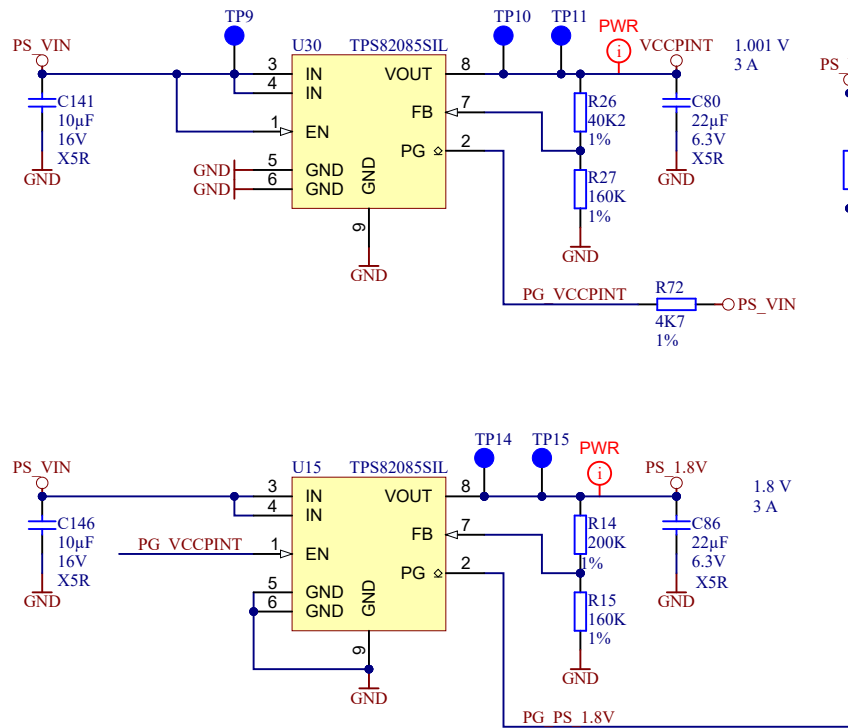



Net Name	Voltage Rail	Low Detect	High Detect
PS_3.3V	3.3 V	2.97 V	3.62 V
PS_1.8V	1.8 V	1.62 V	1.98 V
PS_VIN	3.3 V	2.97 V	3.62 V
1.35V	1.35 V	1.22 V	1.49 V
VCCPINT	1.0 V	0.90 V	1.10 V

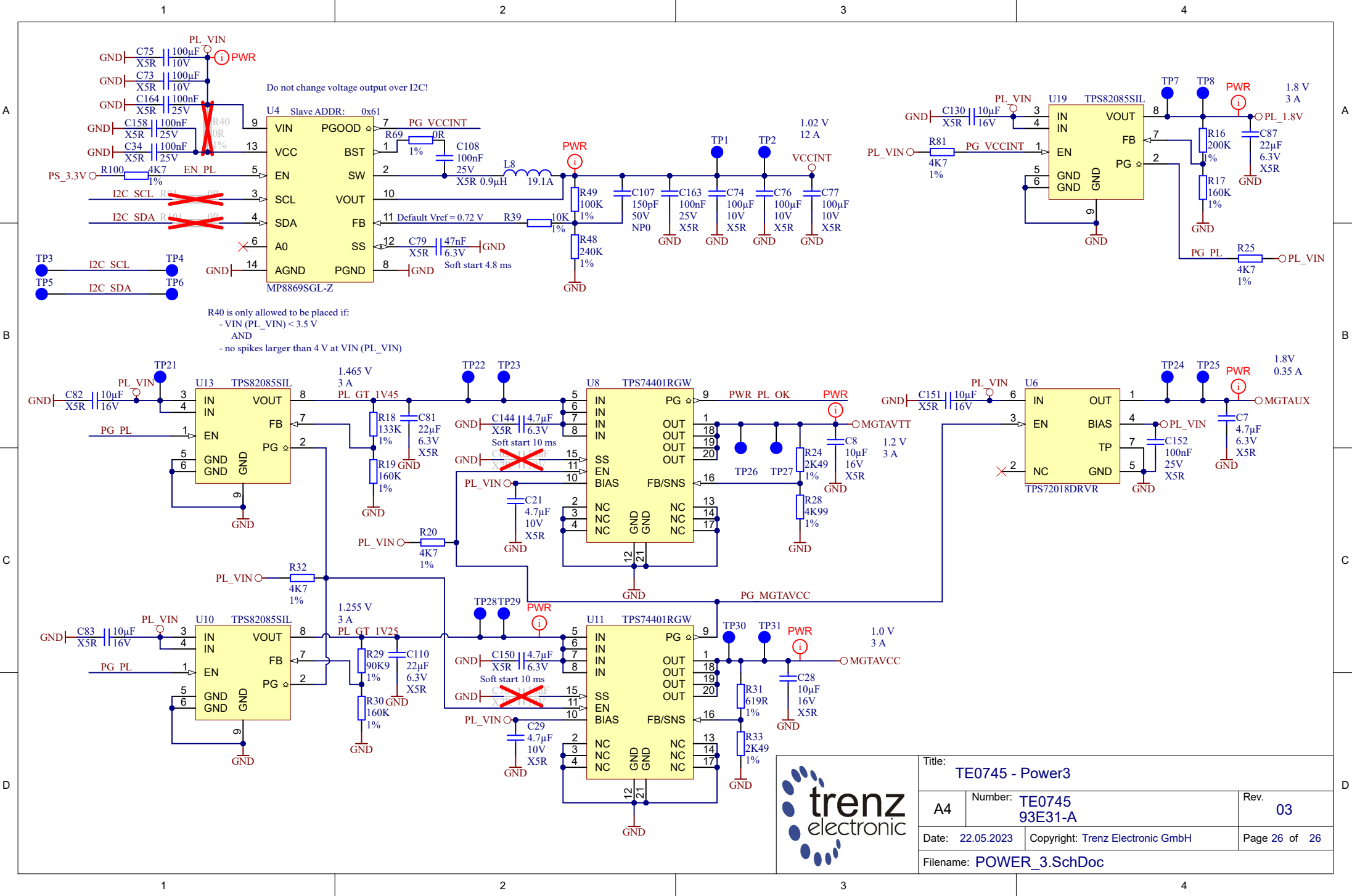
Net Name	Voltage Rail	Low Detect	High Detect
PS_3.3V	3.3 V	2.97 V	3.62 V
MGTAVCC	1.0 V	0.90 V	1.10 V
MGTAVTT	1.2 V	1.08 V	1.32 V
VCCINT	1.0 V	0.90 V	1.10 V
PL_1.8V	1.8 V	1.62 V	1.98 V

Title: **TE0745 - Power**

A4	Number: TE0745 93E31-A	Rev. 03
Date: 22.05.2023	Copyright: Trenz Electronic GmbH	Page 24 of 26
Filename: POWER.SchDoc		



		Title: TE0745 - Power2	
		A4	Number: TE0745 93E31-A
Date: 22.05.2023		Copyright: Trenz Electronic GmbH	
Filename: POWER_2.SchDoc		Page 25 of 26	



Title: TE0745 - Power3		
A4	Number: TE0745 93E31-A	Rev. 03
Date: 22.05.2023	Copyright: Trenz Electronic GmbH	Page 26 of 26
Filename: POWER_3.SchDoc		