

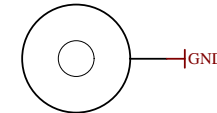
1

2

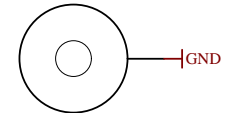
3

4

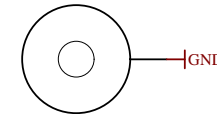
U_J1 J1.SchDoc	U_B_PS_GT B_PS_GT.SchDoc	U_DDR4-TERM DDR4-TERM.SchDoc
U_J2 J2.SchDoc	U_PS_DDR PS_DDR.SchDoc	U_ZU_POWER ZU_POWER.SchDoc
U_J3 J3.SchDoc	U_B_MIO B_MIO.SchDoc	U_ZU_PS_POWER ZU_PS_POWER.SchDoc
U_J4 J4.SchDoc	U_B_HD B_HD.SchDoc	U_POWER POWER.SchDoc
U_DDR4-TERM DDR4-TERM.SchDoc	U_Clock Clock.SchDoc	U_POWER_2 POWER_2.SchDoc
U_B64 B64.SchDoc	U_CONFIG CONFIG.SchDoc	
U_B65 B65.SchDoc	U_DDR4-RAM DDR4-RAM.SchDoc	U_POWER_4 POWER_4.SchDoc
U_B66 B66.SchDoc	U_DDR4-RAM_2 DDR4-RAM_2.SchDoc	
U_B_GT B_GT.SchDoc	U_DDR4-RAM_3 DDR4-RAM_3.SchDoc	
	U_DDR4-RAM_4 DDR4-RAM_4.SchDoc	



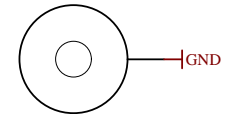
Mount.Hole 3.2mm für Unterlegscheibe



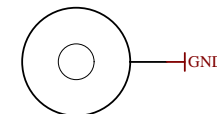
Mount.Hole 3.2mm für Unterlegscheibe



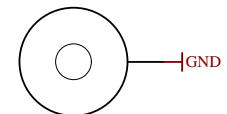
Mount.Hole 3.2mm für Unterlegscheibe



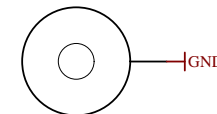
Mount.Hole 3.2mm für Unterlegscheibe



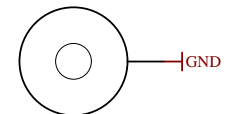
Mount.Hole 3.2mm für Unterlegscheibe



Mount.Hole 3.2mm für Unterlegscheibe



Mount.Hole 3.2mm für Unterlegscheibe



Mount.Hole 3.2mm für Unterlegscheibe

FIDU-DOT - small



PM1 FIDU-DOT - small



PM3 FIDU-DOT - small



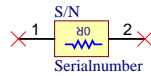
PM5

LOGO1

TE Logo PRINT Layer

LOGO PRINT

Serial
Serial
Serialnumber 6,3 x 6.3mm



Title: TE0803		
A4	Number: TE0803 02CG-1E	Rev. 01
Date: 2016-12-23	Copyright: Trenz Electronic GmbH / TT	Page1 of 25
Filename: TE0803.SchDoc		

1

2

3

4

A

A

B

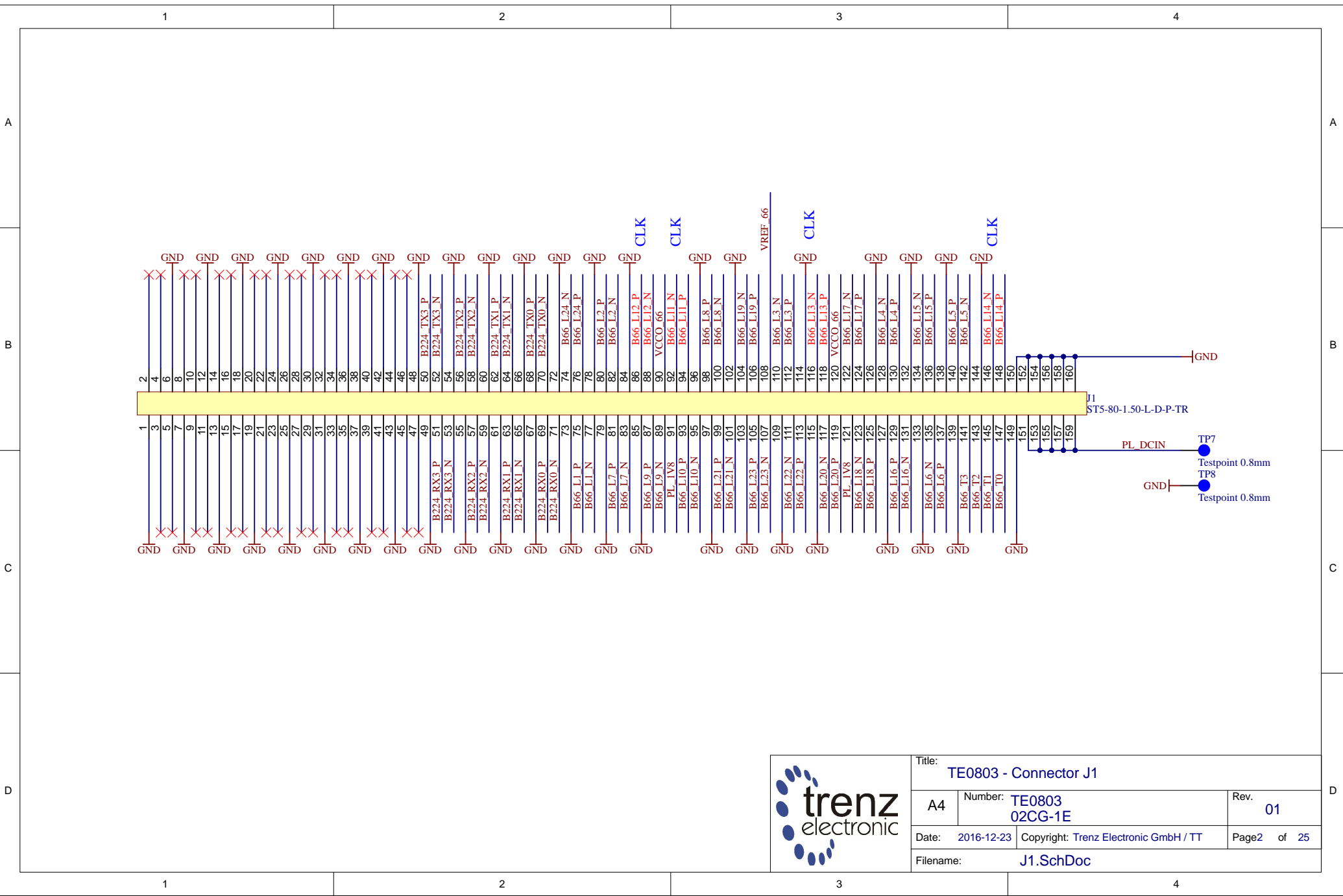
B

C

C

D

D



Title: TE0803 - Connector J1		
A4	Number: TE0803 02CG-1E	Rev. 01
Date: 2016-12-23	Copyright: Trenz Electronic GmbH / TT	Page2 of 25
Filename: J1.SchDoc		

1

2

3

4

A

A

B

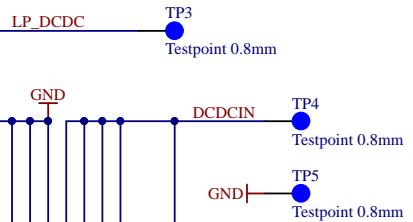
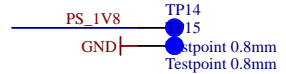
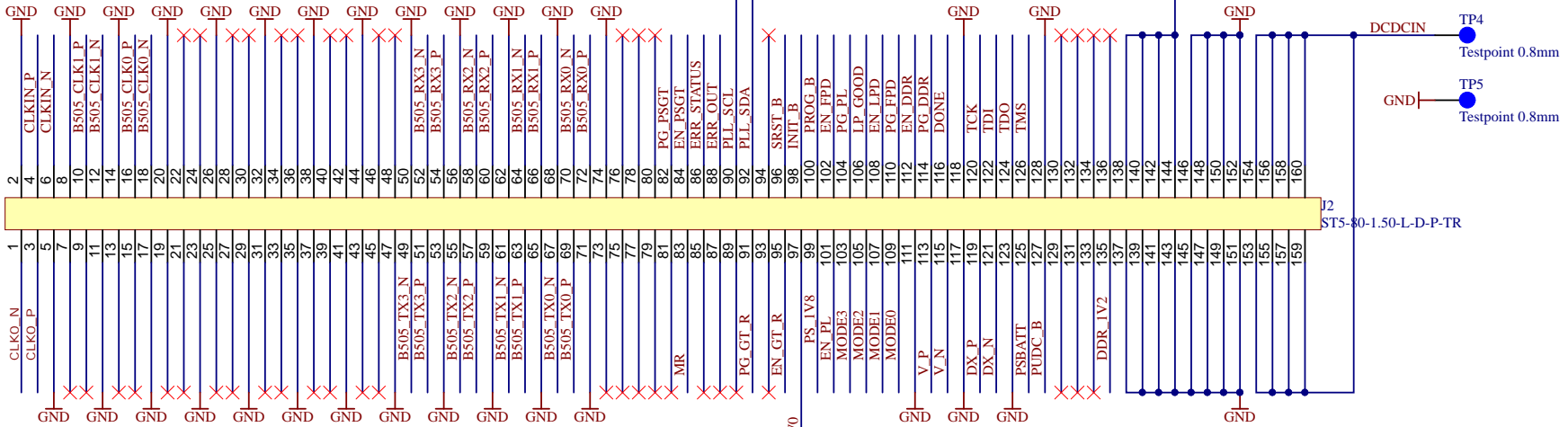
B

C

C

D

D



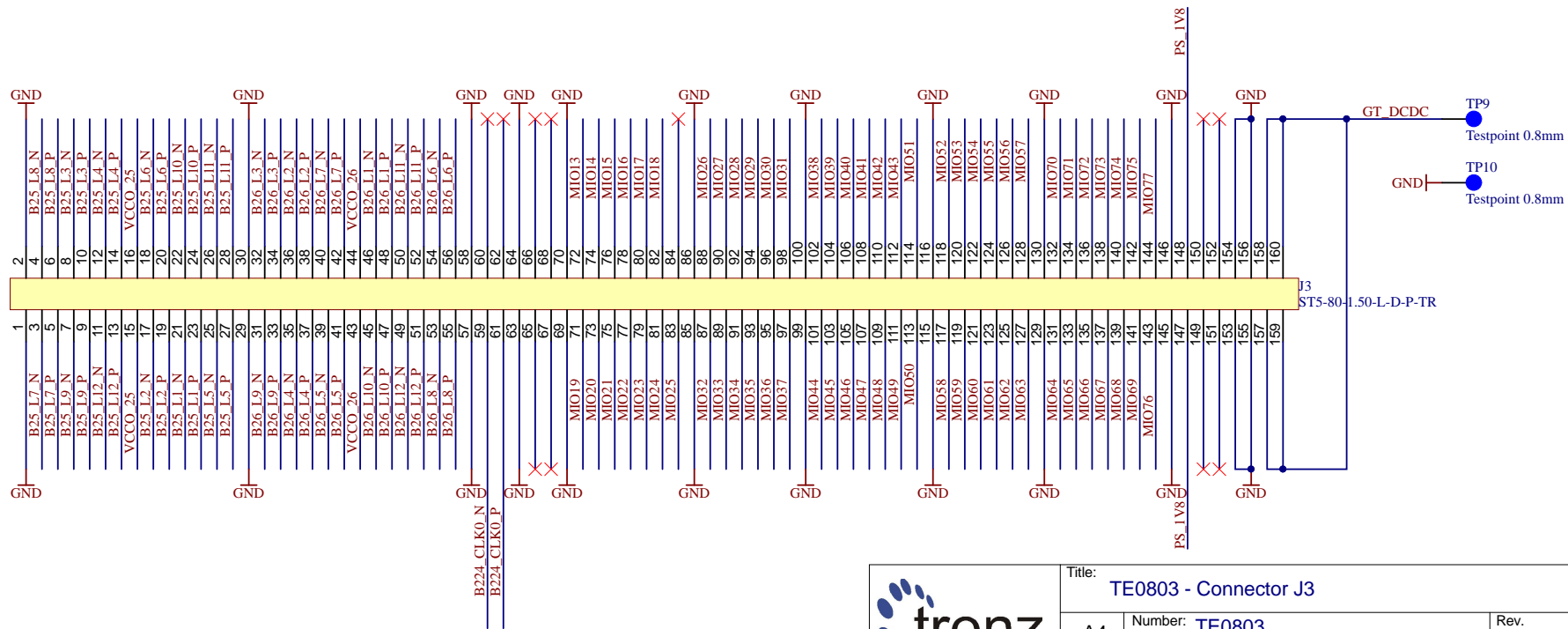
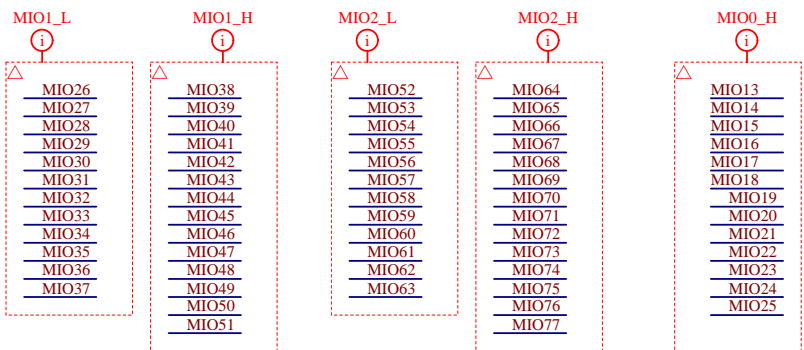
Title: TE0803 - Connector J2		
A4	Number: TE0803 02CG-1E	Rev. 01
Date: 2016-12-23	Copyright: Trenz Electronic GmbH / TT	Page3 of 25
Filename: J2.SchDoc		

1

2

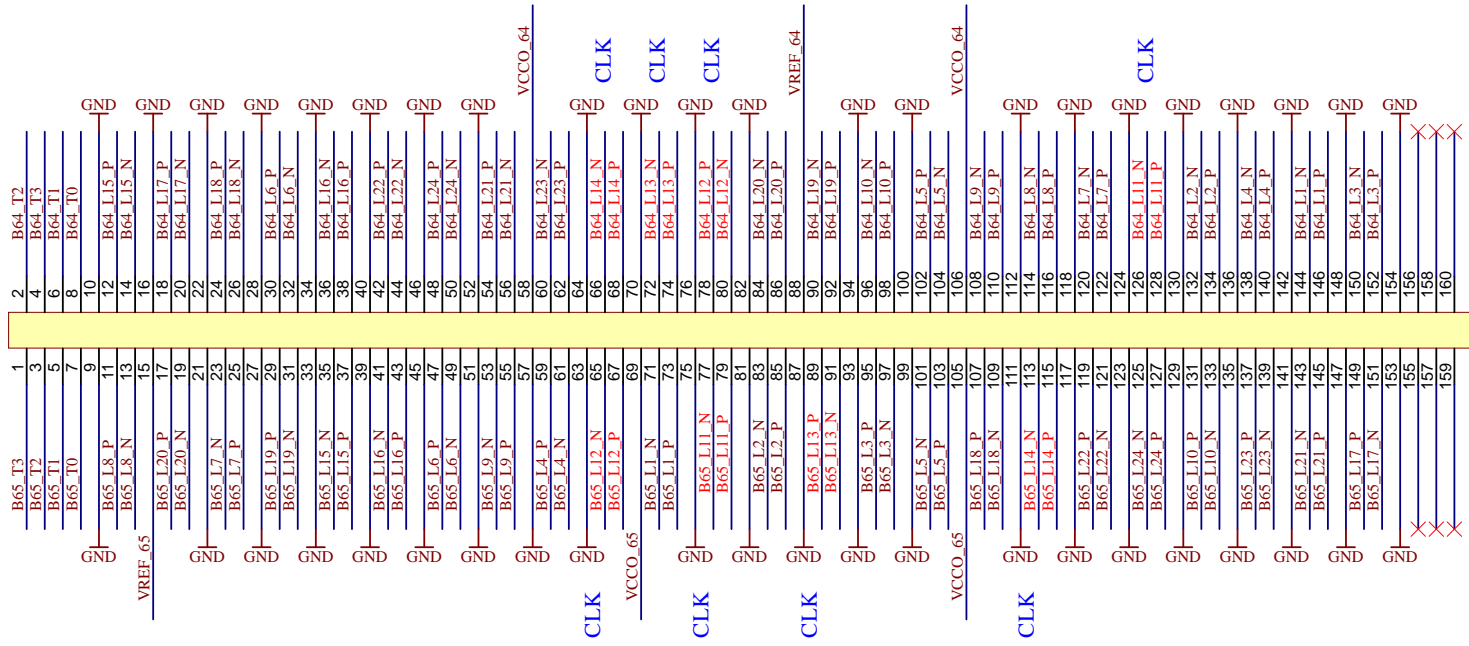

3

4

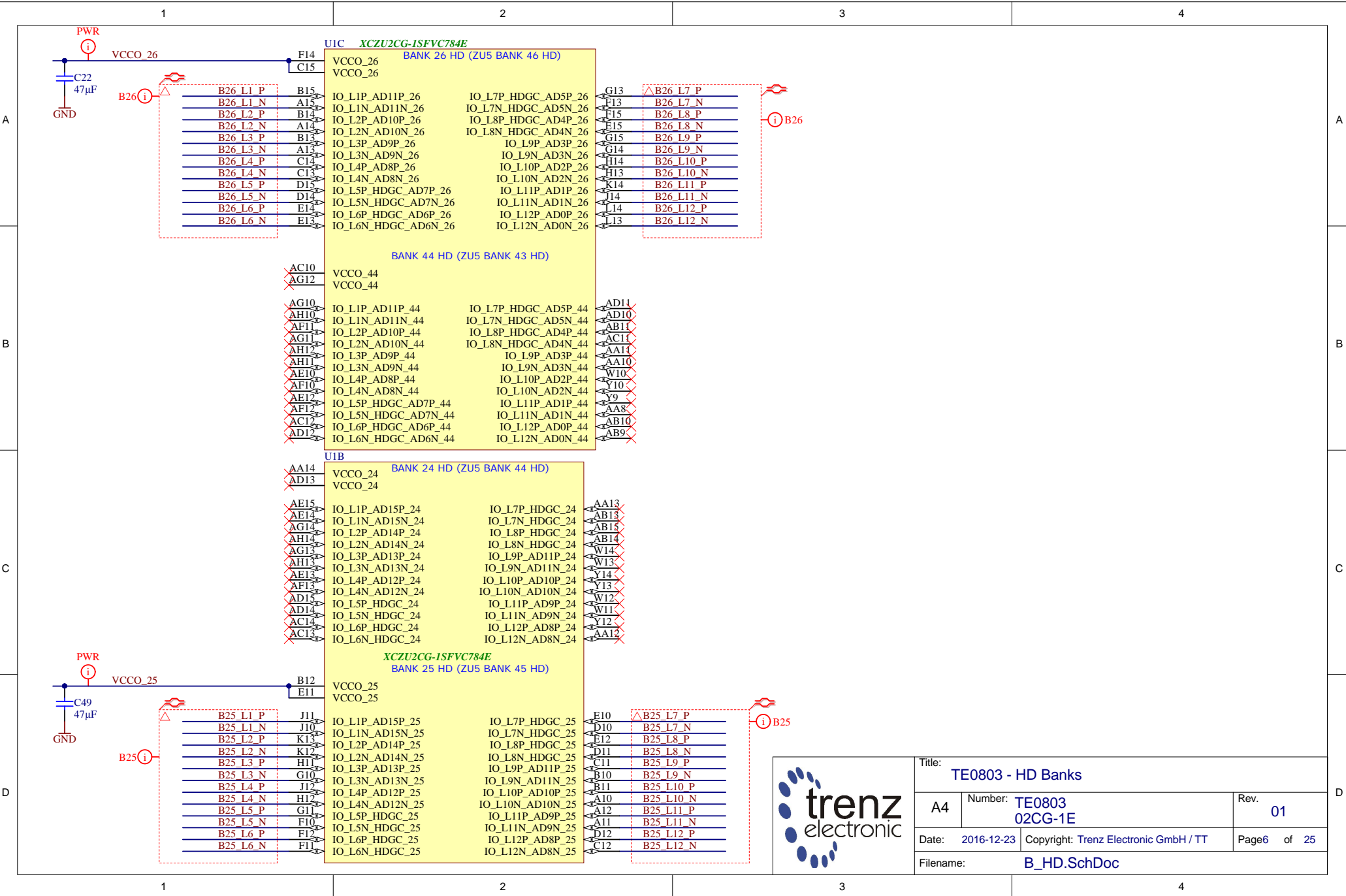


trenz electronic

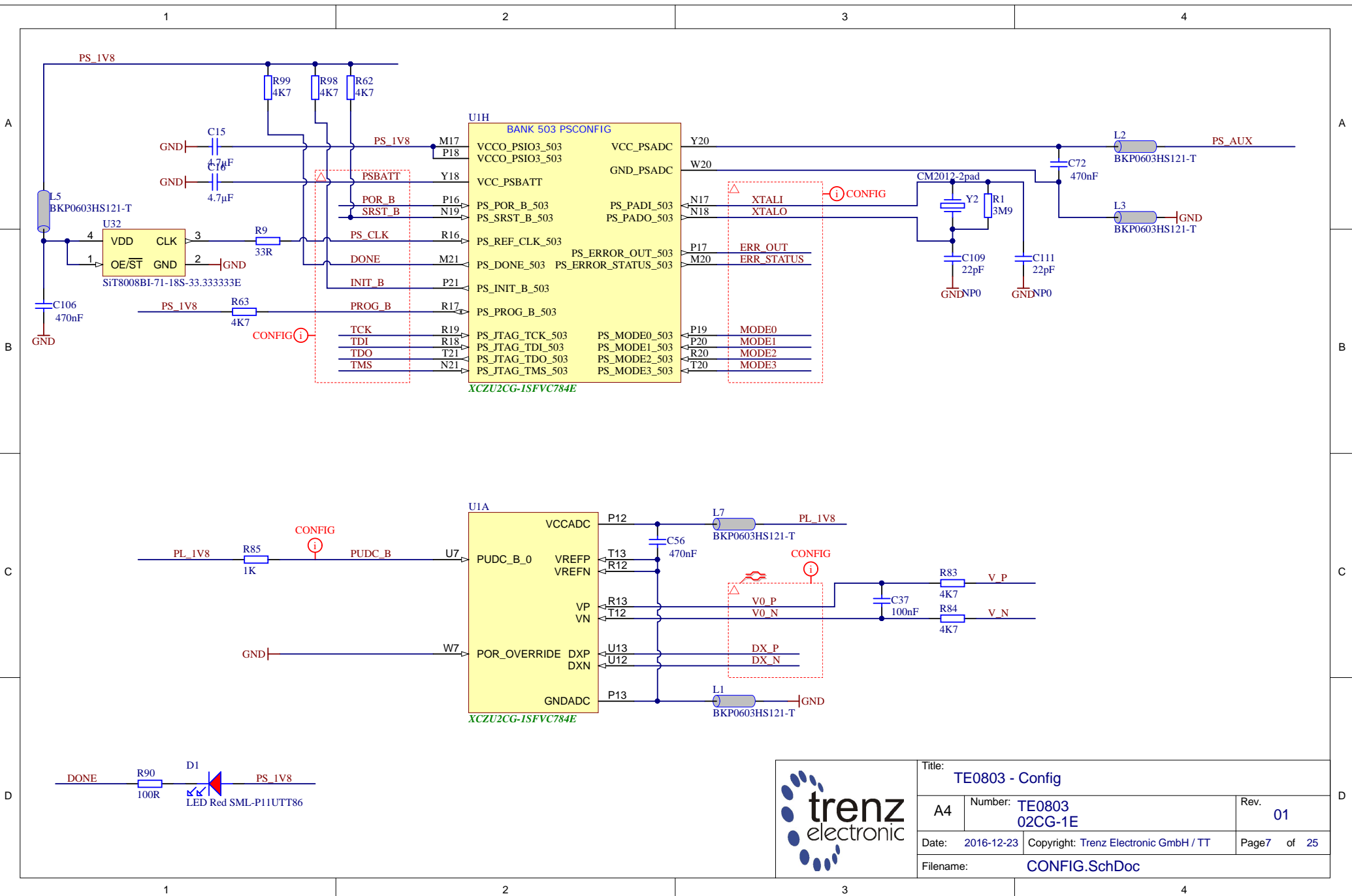
Title: TE0803 - Connector J3		
A4	Number: TE0803 02CG-1E	Rev. 01
Date: 2016-12-23	Copyright: Trenz Electronic GmbH / TT	Page4 of 25
Filename: J3.SchDoc		

Title: TE0803 - Connector J4		
A4	Number: TE0803 02CG-1E	Rev. 01
Date: 2016-12-23	Copyright: Trenz Electronic GmbH / TT	Page5 of 25
Filename: J4.SchDoc		



Title: TE0803 - HD Banks		
A4	Number: TE0803 02CG-1E	Rev. 01
Date: 2016-12-23	Copyright: Trenz Electronic GmbH / TT	Page6 of 25
Filename: B_HD.SchDoc		



Title: TE0803 - Config		
A4	Number: TE0803 02CG-1E	Rev. 01
Date: 2016-12-23	Copyright: Trenz Electronic GmbH / TT	Page 7 of 25
Filename: CONFIG.SchDoc		



1

2

3

4

A

A

B

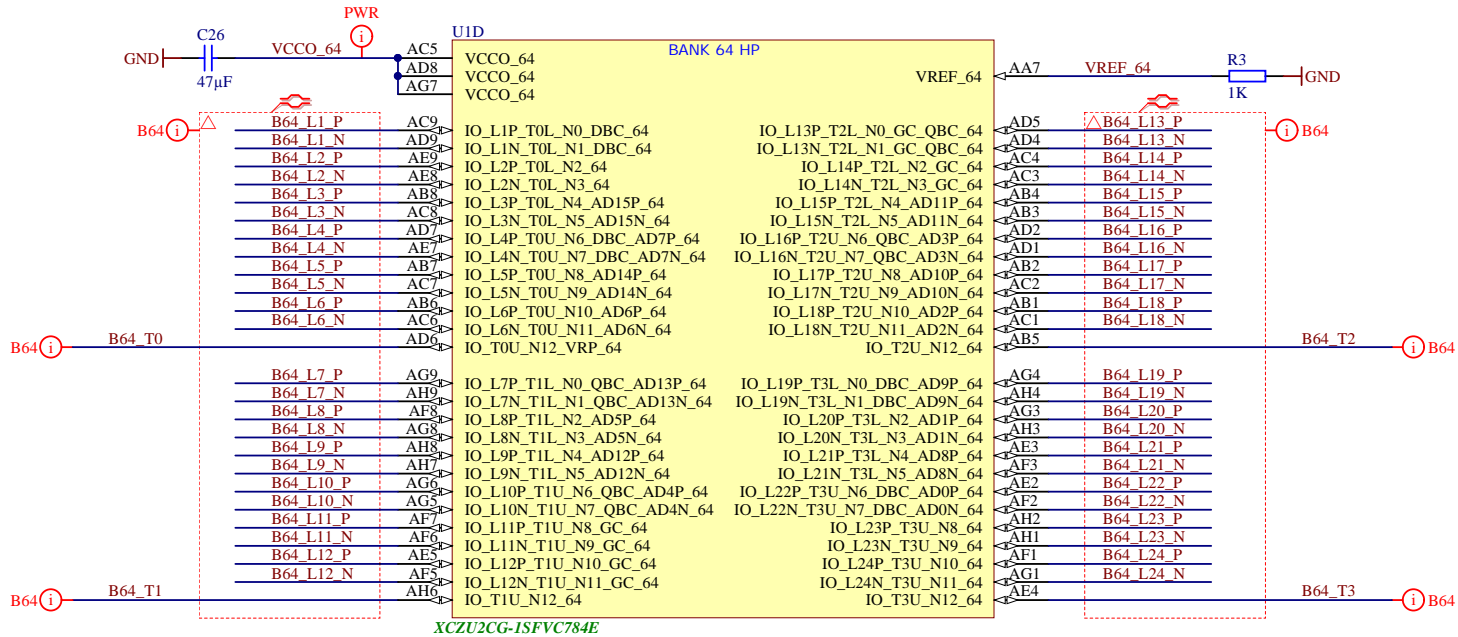
B

C

C

D

D



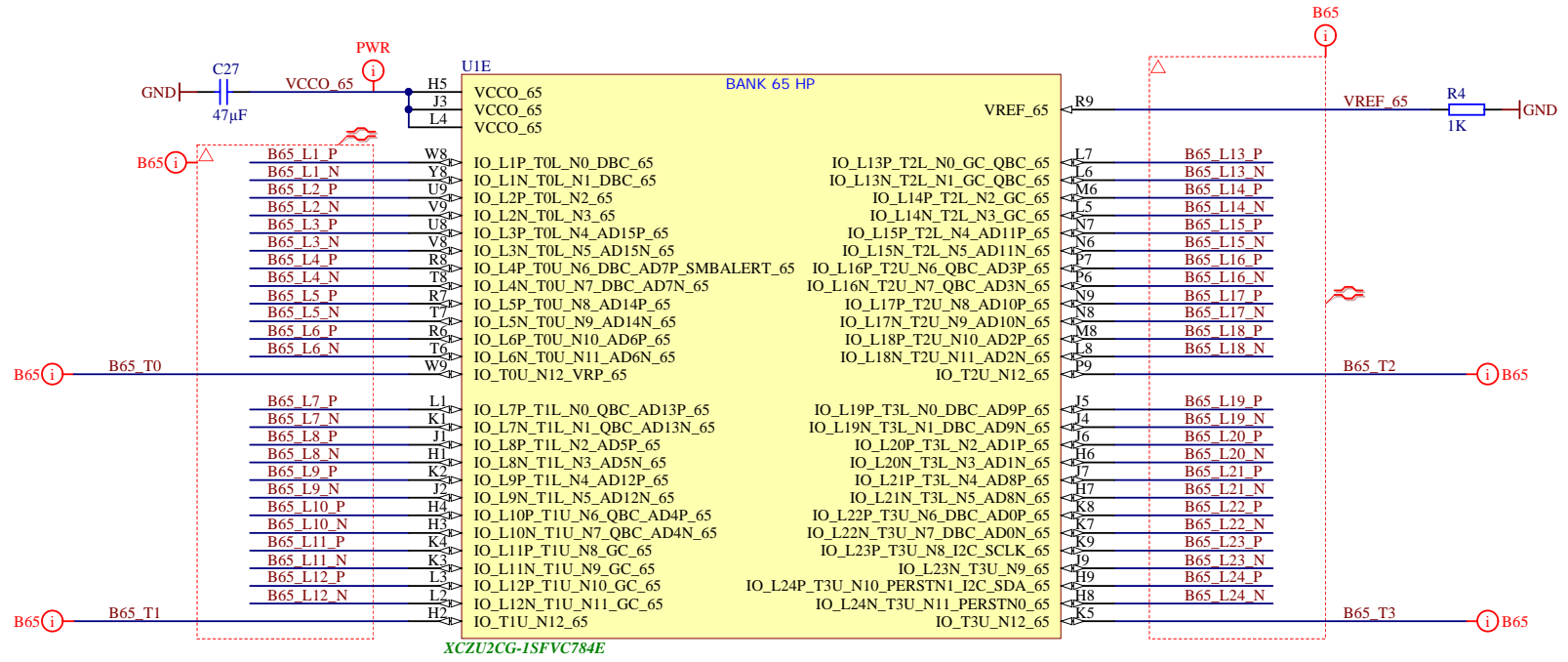
	Title: TE0803 - B64		
	A4	Number: TE0803 02CG-1E	Rev. 01
	Date: 2016-12-23	Copyright: Trenz Electronic GmbH / TT	Page8 of 25
	Filename: B64.SchDoc		

1

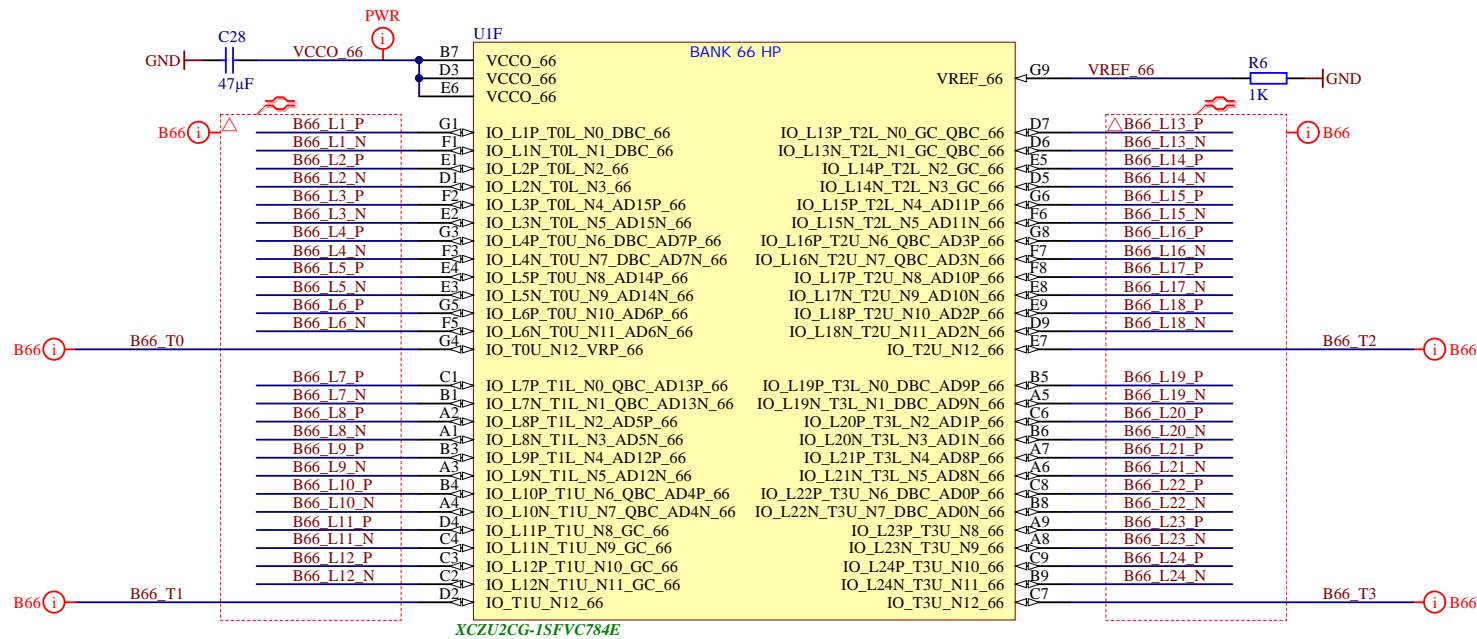
2

3

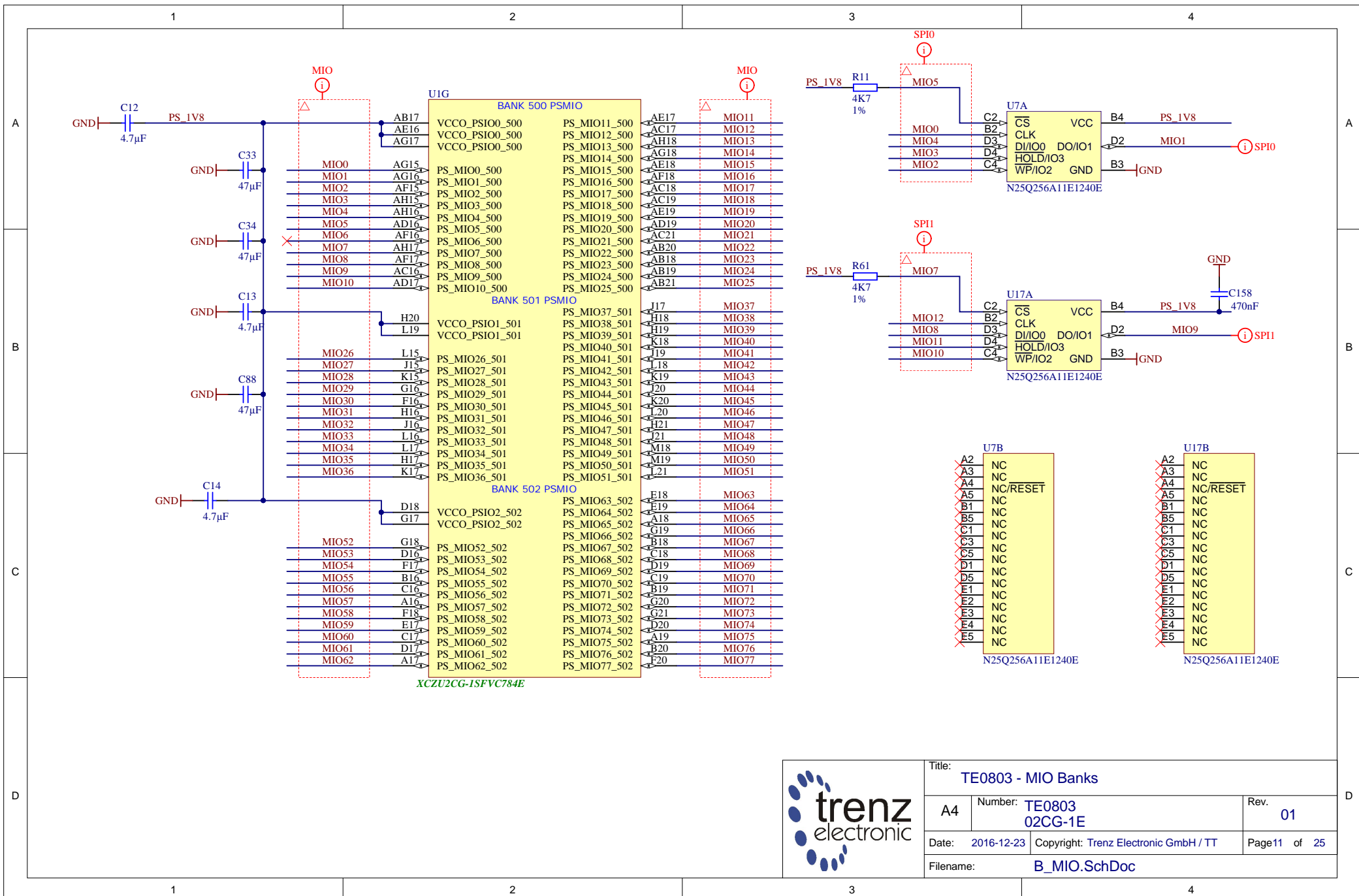
4



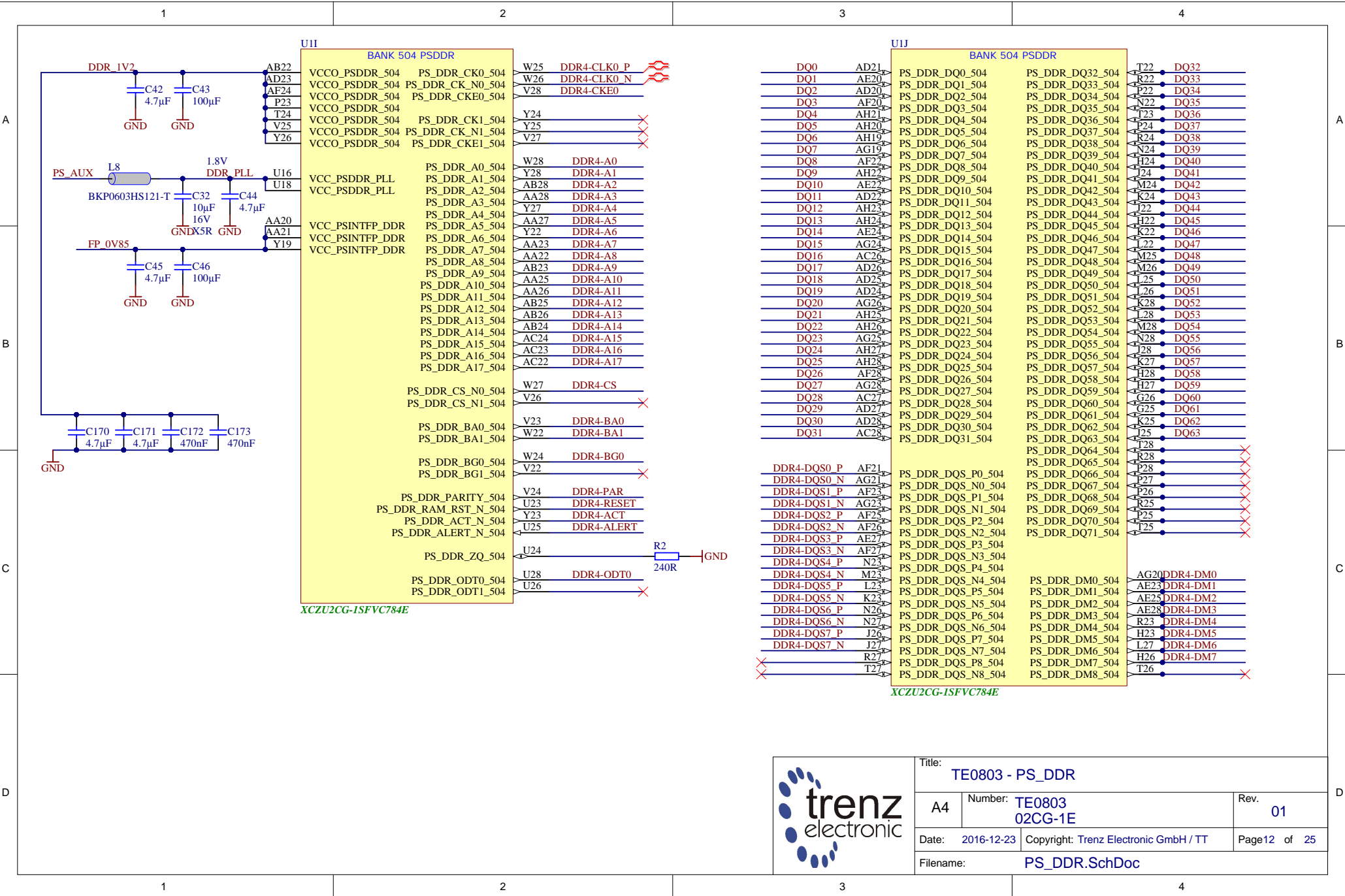
	Title: TE0803 - B65	
	A4	Number: TE0803 02CG-1E
	Date: 2016-12-23	Copyright: Trenz Electronic GmbH / TT
	Rev. 01	Page9 of 25
Filename: B65.SchDoc		



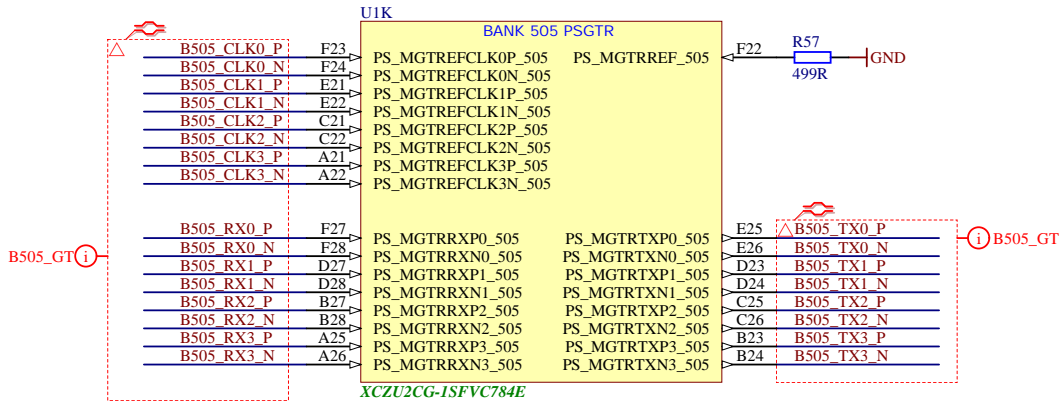
Title: TE0803 - B66		
A4	Number: TE0803 02CG-1E	Rev. 01
Date: 2016-12-23	Copyright: Trenz Electronic GmbH / TT	Page 10 of 25
Filename: B66.SchDoc		




	Title: TE0803 - MIO Banks		
	A4	Number: TE0803 02CG-1E	Rev. 01
	Date: 2016-12-23	Copyright: Trenz Electronic GmbH / TT	Page 11 of 25
	Filename: B_MIO.SchDoc		



Title: TE0803 - PS_DDR			
A4	Number: TE0803 02CG-1E	Rev. 01	
Date: 2016-12-23	Copyright: Trenz Electronic GmbH / TT	Page 12 of 25	
Filename: PS_DDR.SchDoc			



	Title: TE0803 - PS_GT		
	A4	Number: TE0803 02CG-1E	Rev. 01
	Date: 2016-12-23	Copyright: Trenz Electronic GmbH / TT	Page13 of 25
	Filename: B_PS_GT.SchDoc		

1

2

3

4

A

A

B

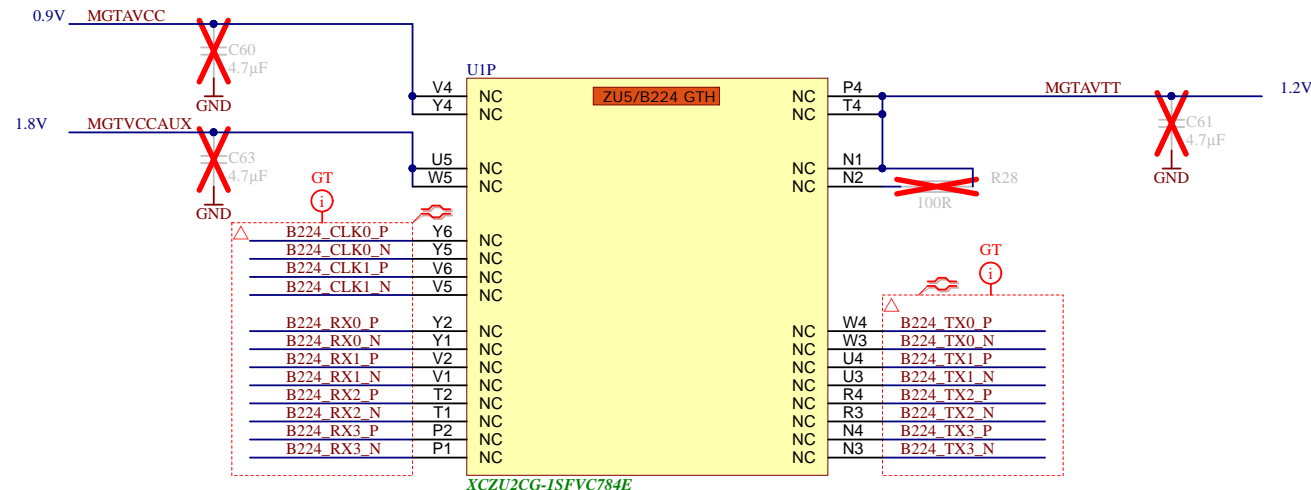
B

C

C

D

D



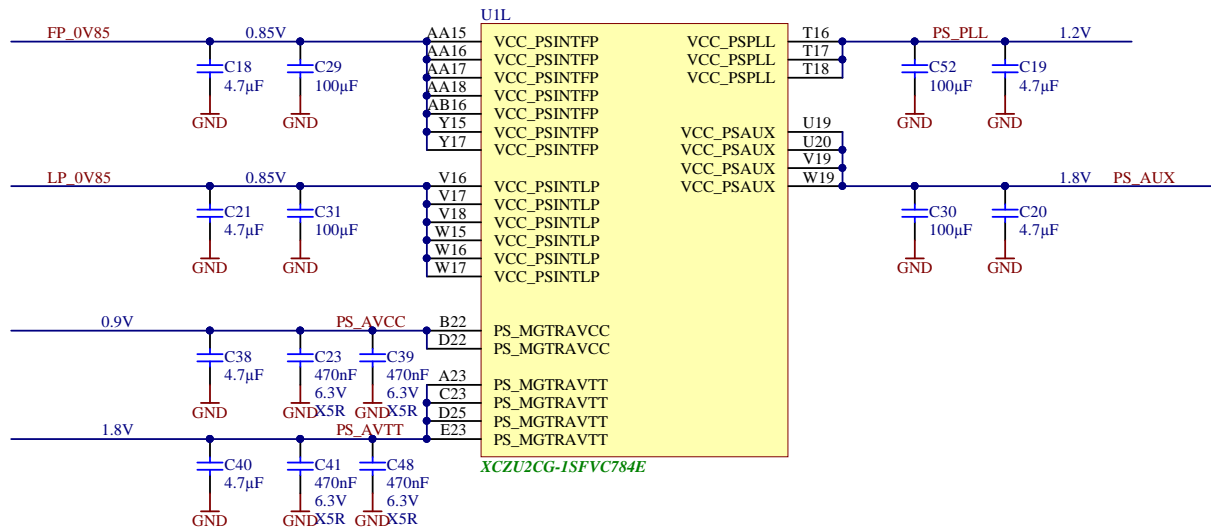
Title: TE0803 - B224GTH		
A4	Number: TE0803 02CG-1E	Rev. 01
Date: 2016-12-23	Copyright: Trenz Electronic GmbH / TT	Page 14 of 25
Filename: B_GT.SchDoc		

1

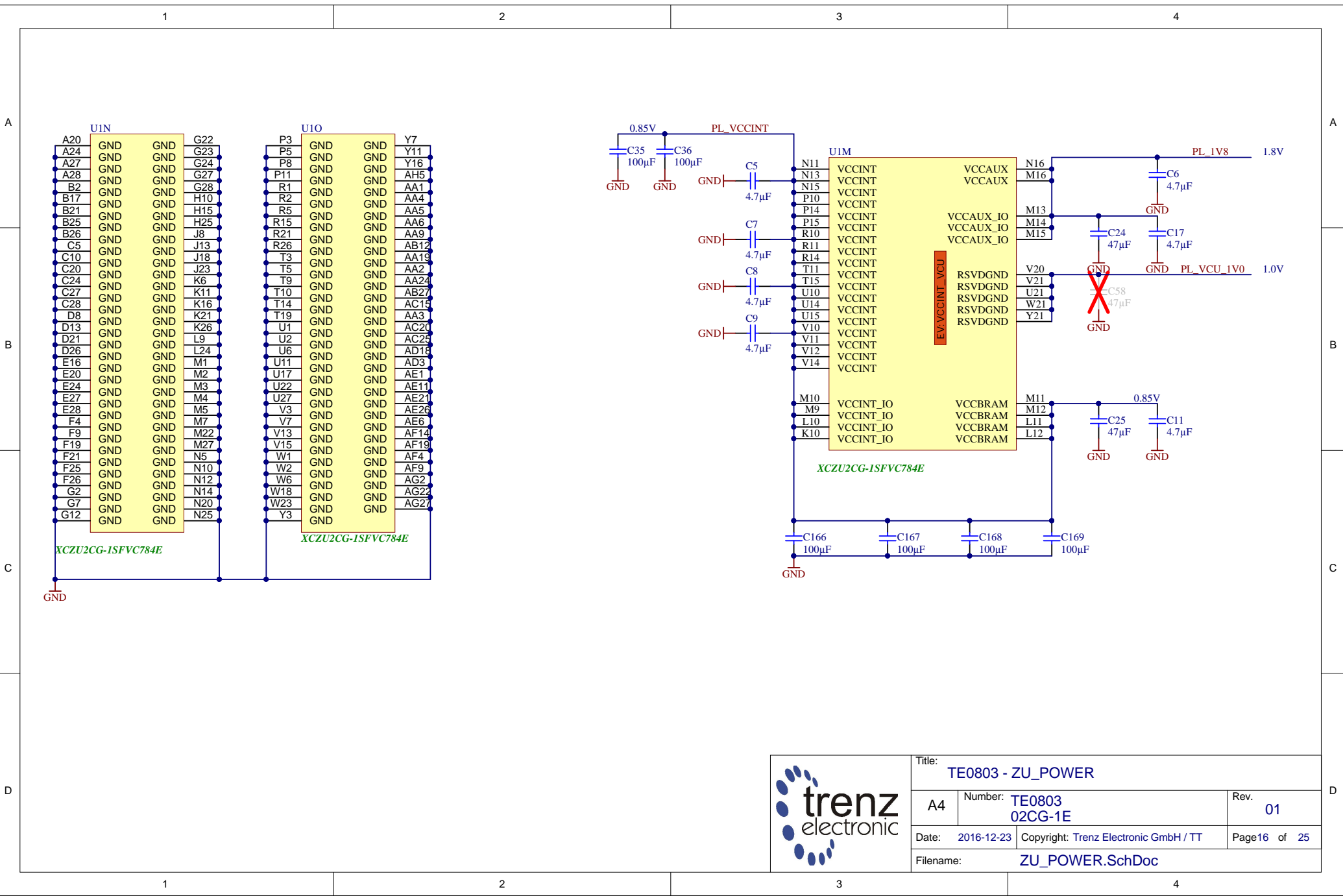
2


3

4



Title: TE0803 - ZU_PS_POWER		
A4	Number: TE0803 02CG-1E	Rev. 01
Date: 2016-12-23	Copyright: Trenz Electronic GmbH / TT	Page 15 of 25
Filename: ZU_PS_POWER.SchDoc		



			Title: TE0803 - ZU_POWER	
			A4	Number: TE0803 02CG-1E
Date: 2016-12-23		Copyright: Trenz Electronic GmbH / TT		Page16 of 25
Filename: ZU_POWER.SchDoc				

1

2

3

4

A

A

B

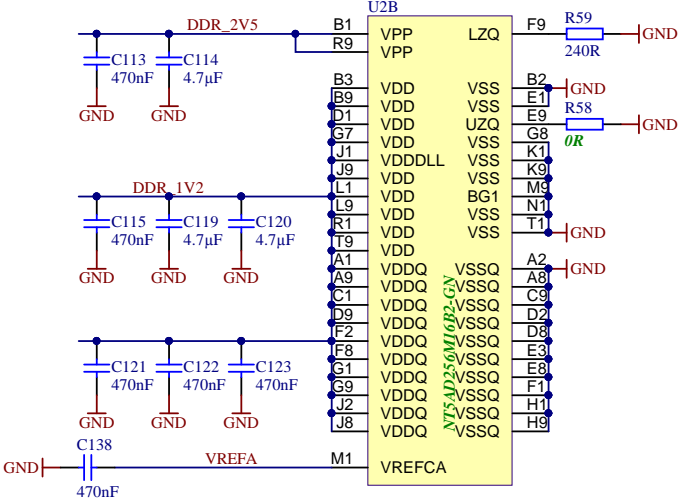
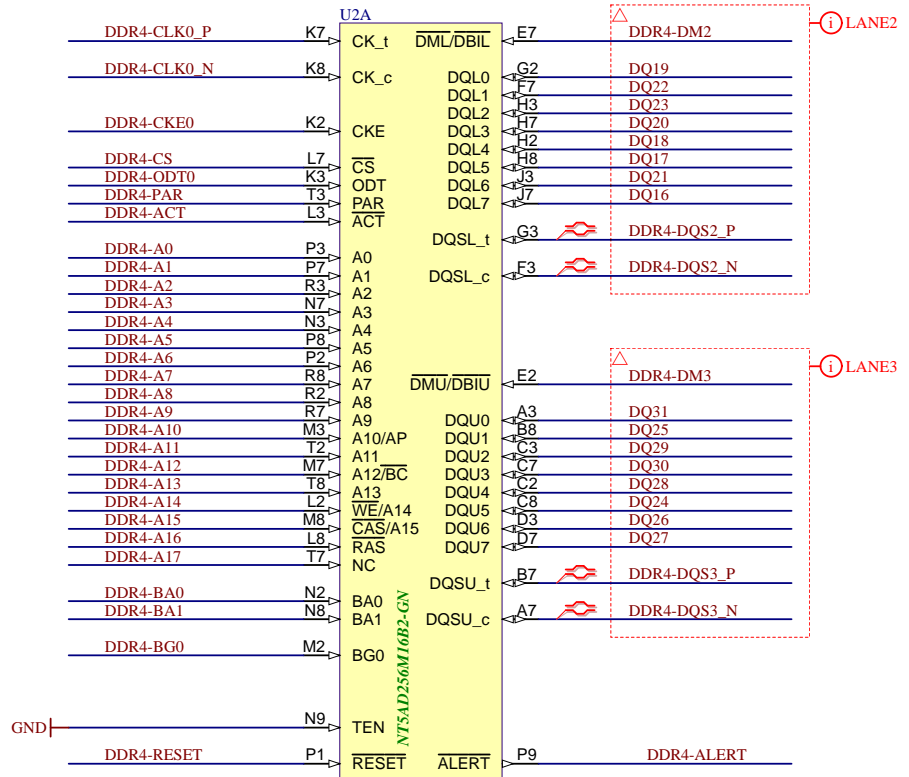
B

C

C

D

D



Title: TE0803 - DDR4_1_RAM		
A4	Number: TE0803 02CG-1E	Rev. 01
Date: 2016-12-23	Copyright: Trenz Electronic GmbH / TT	Page 17 of 25
Filename: DDR4-RAM.SchDoc		

1

2

3

4

1

2

3

4

A

A

B

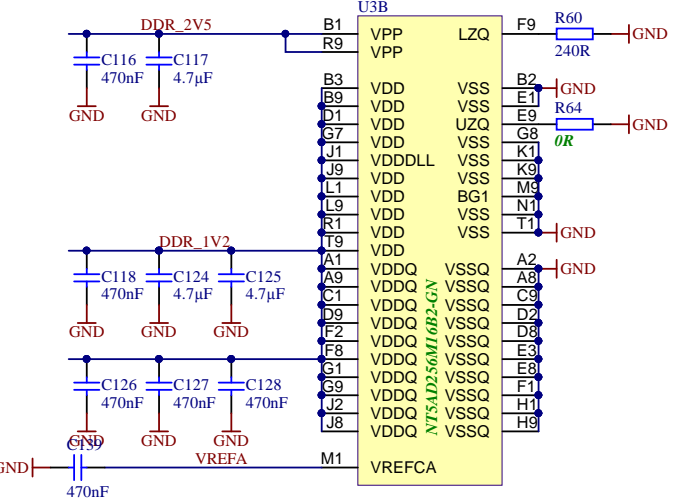
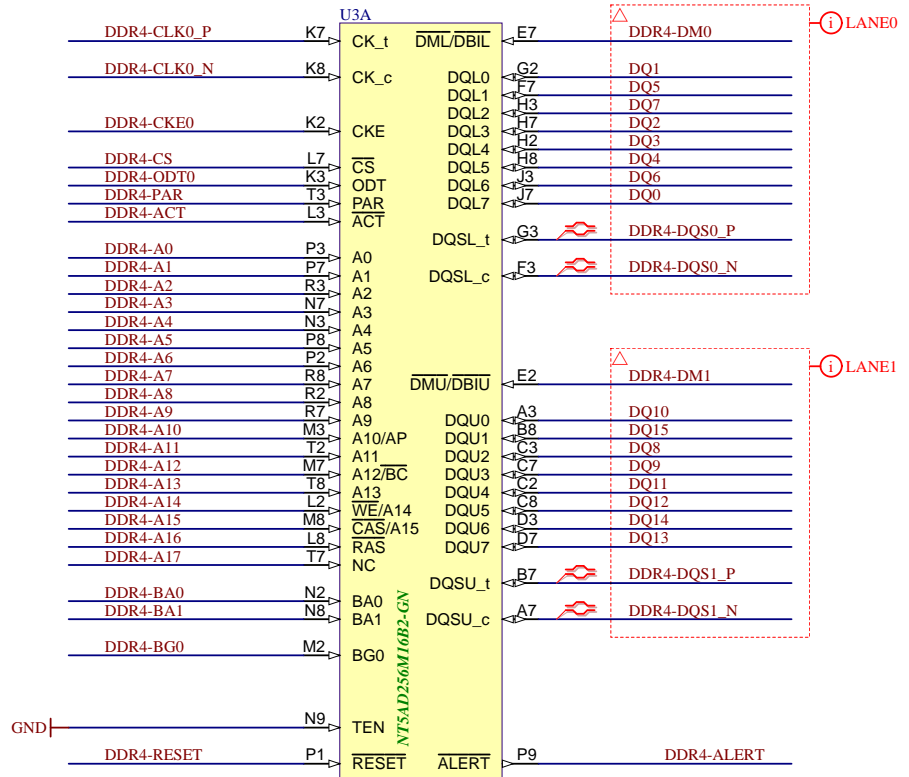
B

C

C

D

D



Title: TE0803 - DDR4_2_RAM		
A4	Number: TE0803 02CG-1E	Rev. 01
Date: 2016-12-23	Copyright: Trenz Electronic GmbH / TT	Page 18 of 25
Filename: DDR4-RAM_2.SchDoc		

1

2

3

4

1

2

3

4

A

A

B

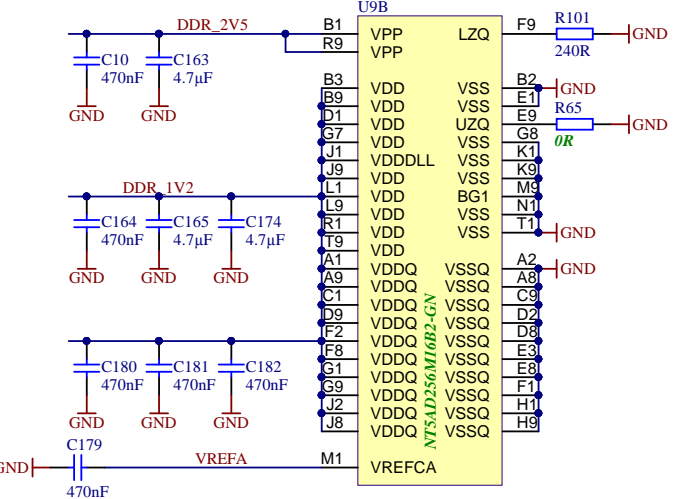
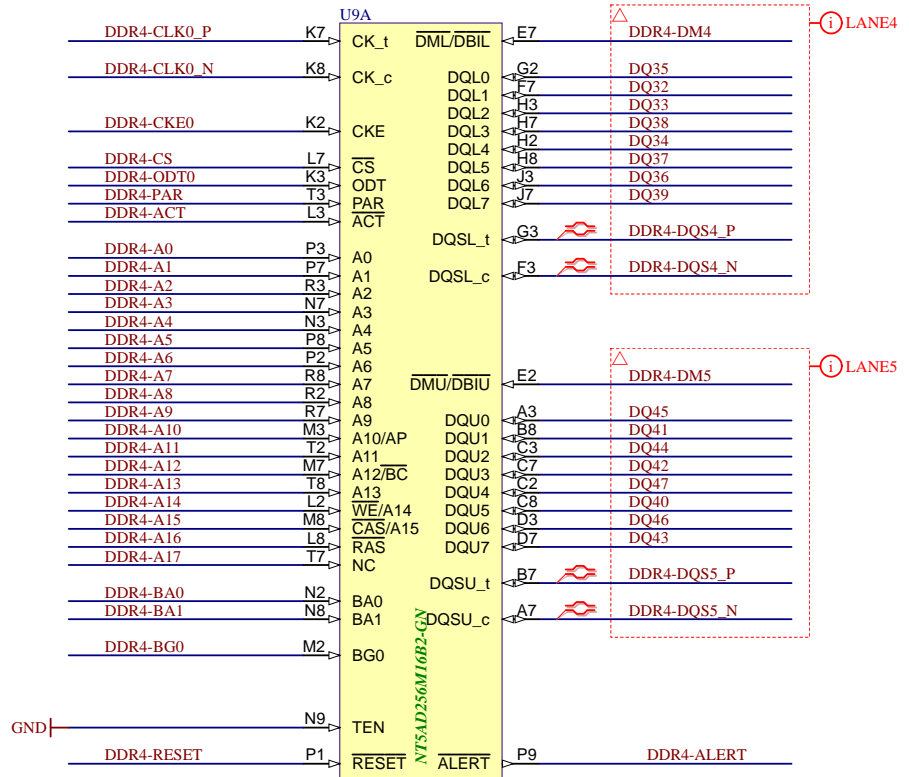
B

C

C

D

D



Title: TE0803 - DDR4_3_RAM		
A4	Number: TE0803 02CG-1E	Rev. 01
Date: 2016-12-23	Copyright: Trenz Electronic GmbH / TT	Page19 of 25
Filename: DDR4-RAM_3.SchDoc		

1

2

3

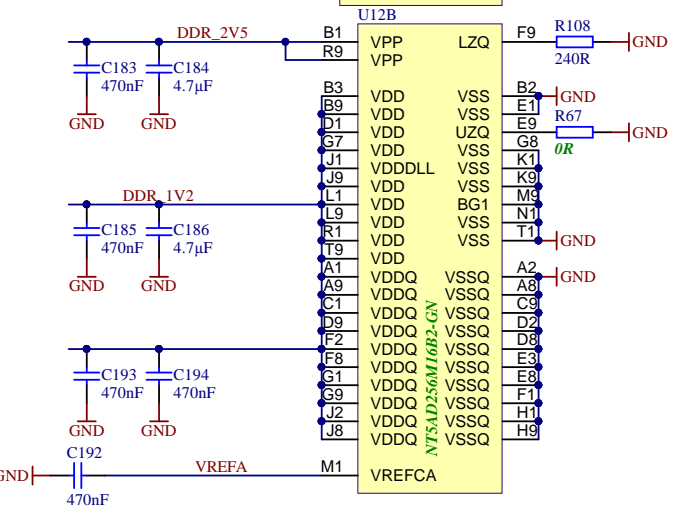
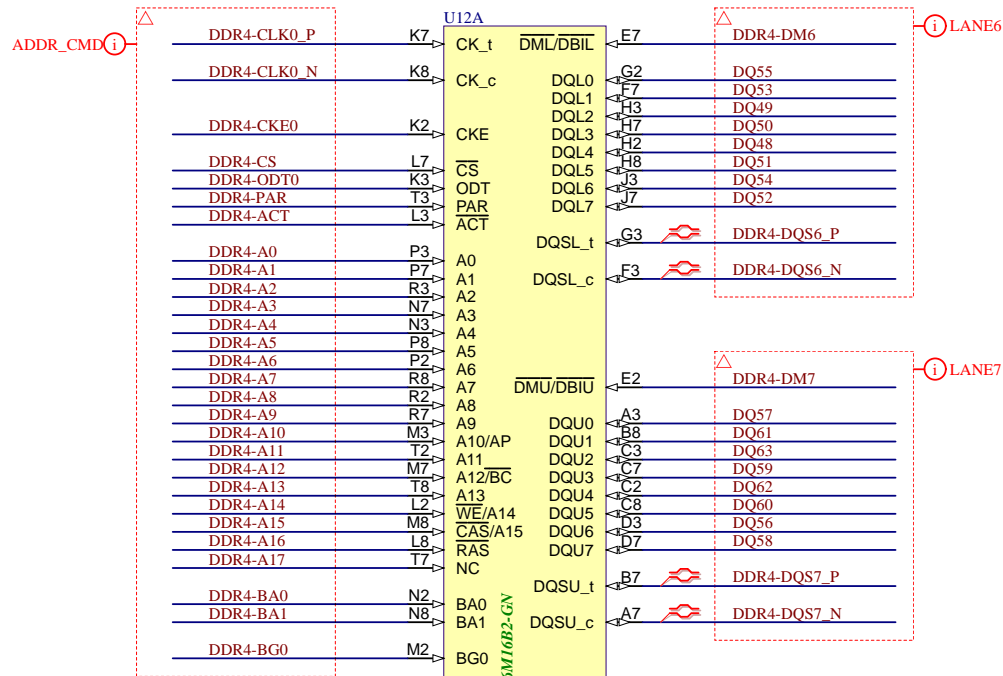

4

1

2

3

4

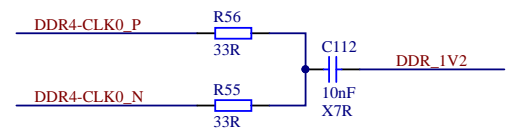
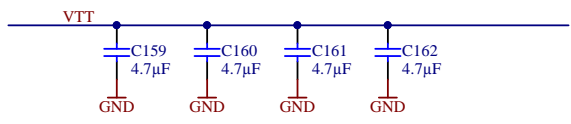
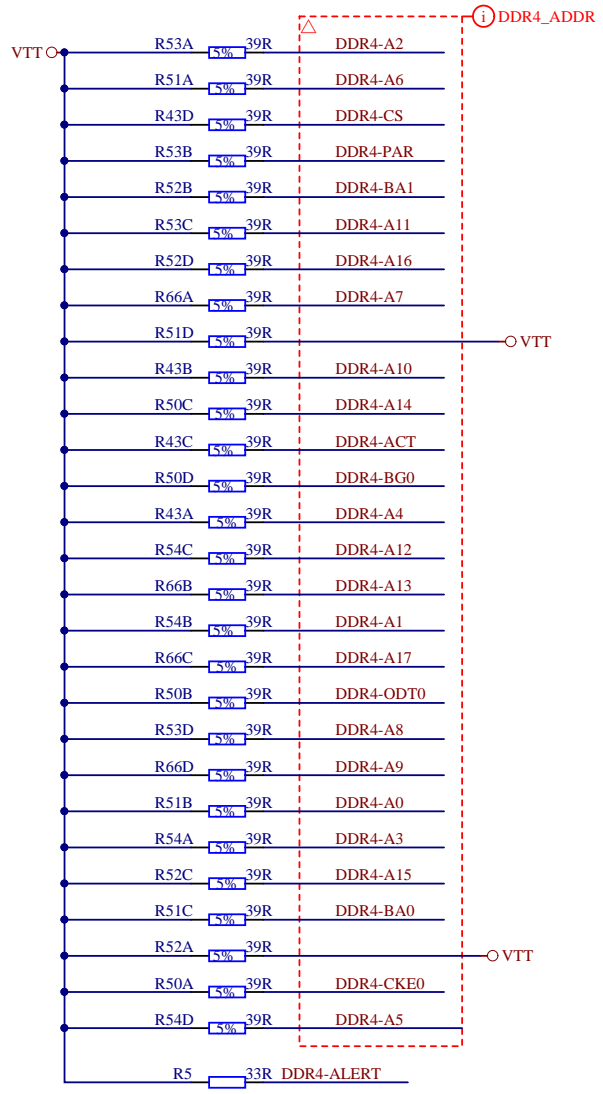
Title: TE0803 - DDR4_4_RAM		
A4	Number: TE0803 02CG-1E	Rev. 01
Date: 2016-12-23	Copyright: Trenz Electronic GmbH / TT	Page20 of 25
Filename: DDR4-RAM_4.SchDoc		

1

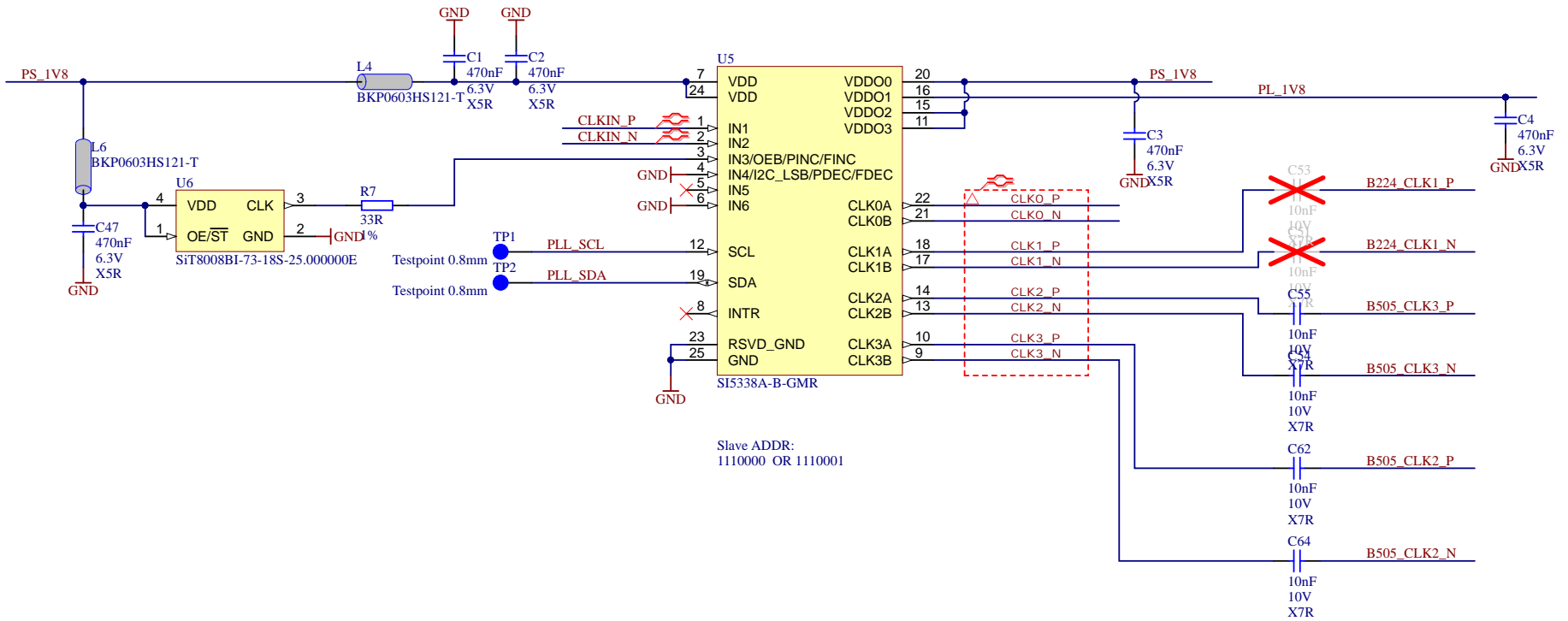
2

3

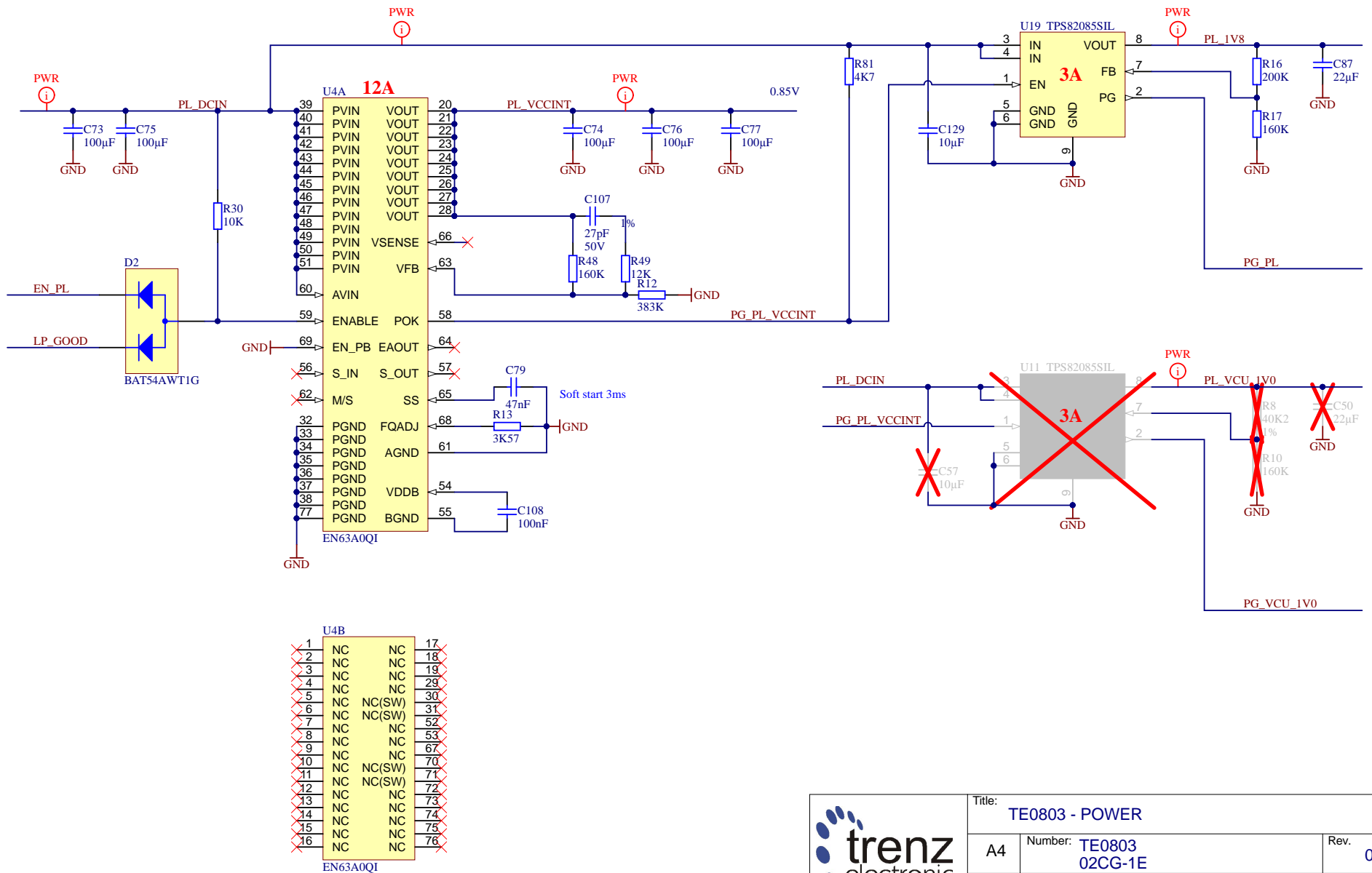
4



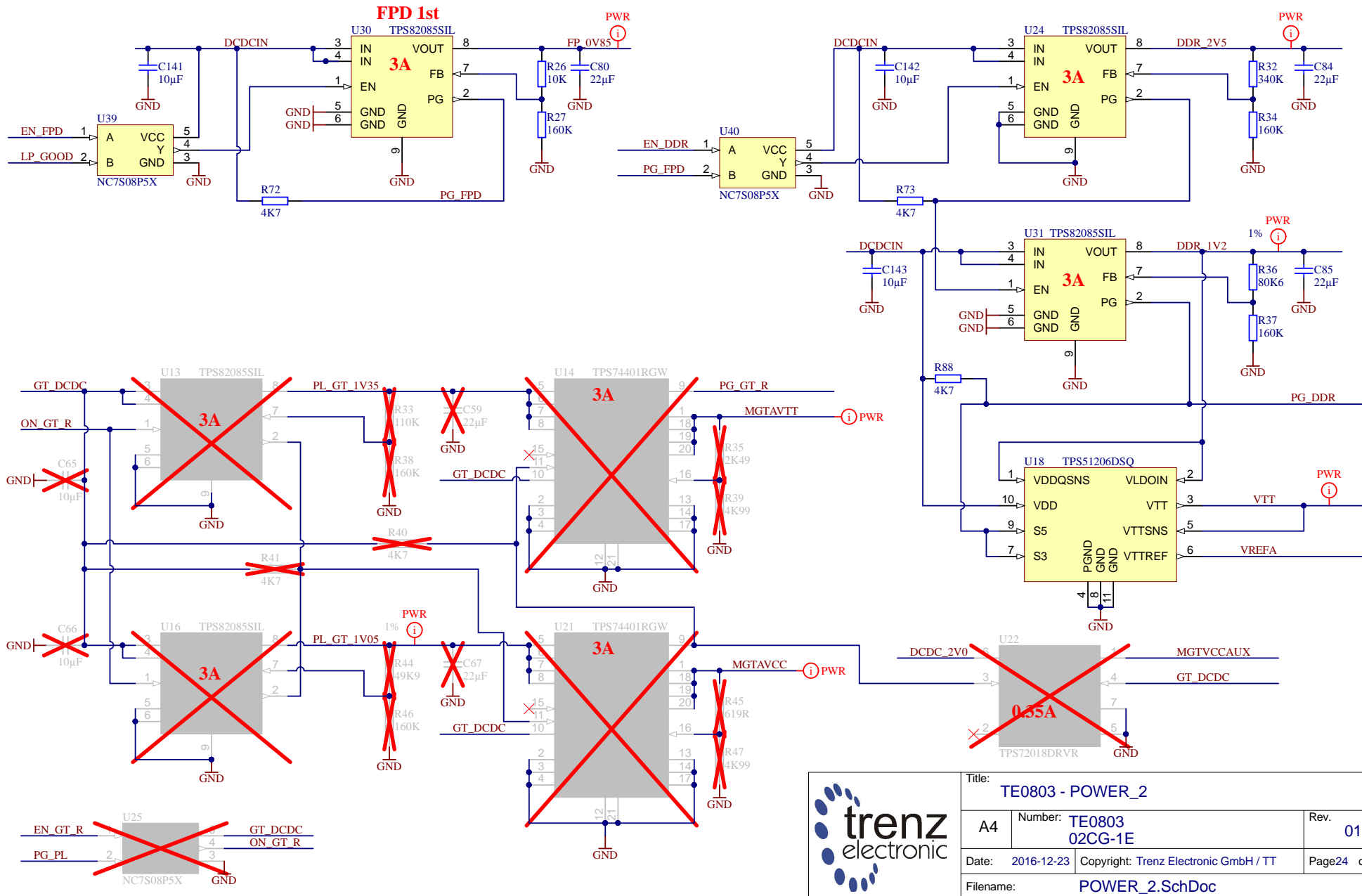
Title: TE0803 - DDR4_TERM		
A4	Number: TE0803 02CG-1E	Rev. 01
Date: 2016-12-23	Copyright: Trenz Electronic GmbH / TT	Page21 of 25
Filename: DDR4-TERM.SchDoc		




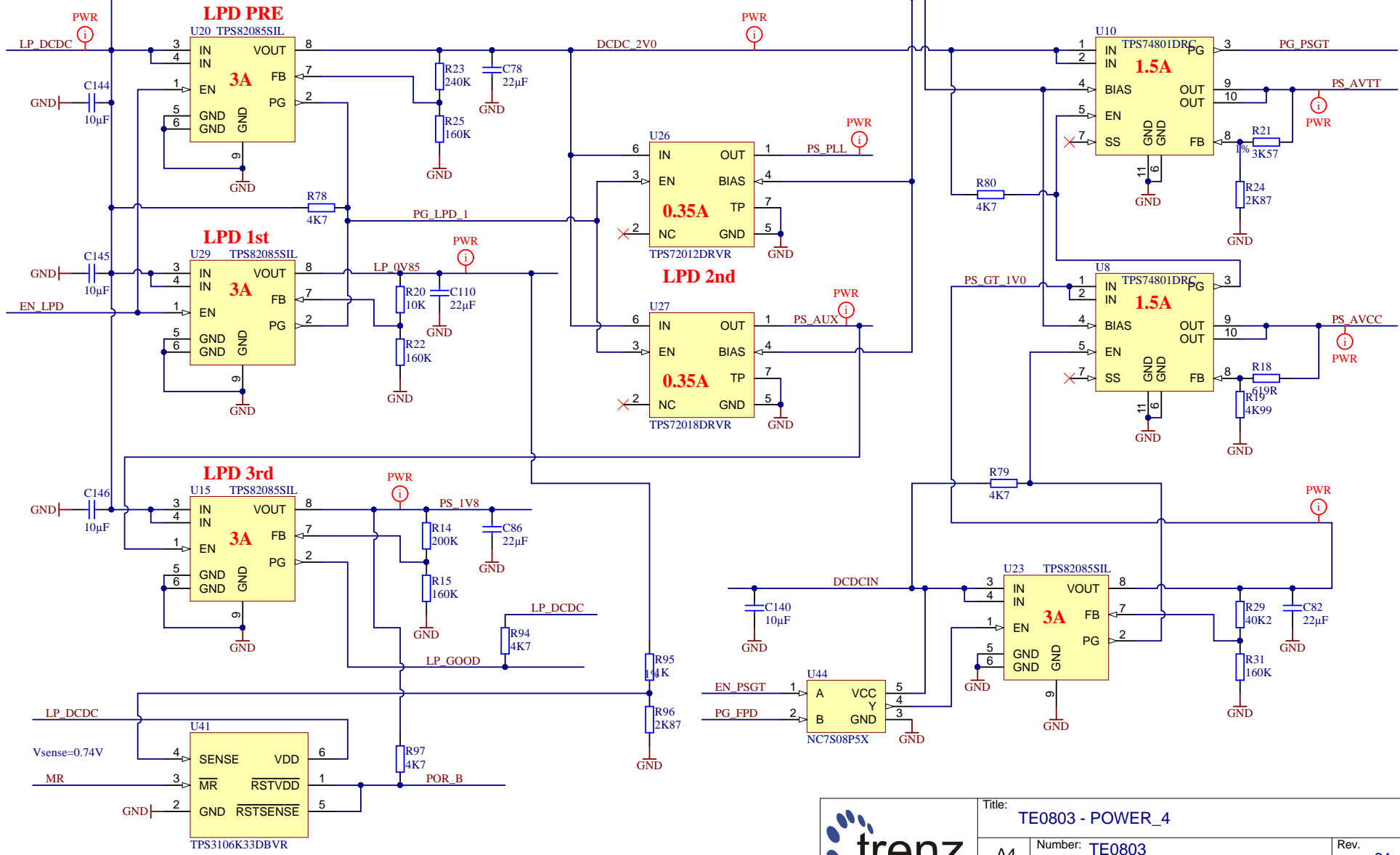
Title: TE0803 - CLOCK		
A4	Number: TE0803 02CG-1E	Rev. 01
Date: 2016-12-23	Copyright: Trenz Electronic GmbH / TT	Page22 of 25
Filename: Clock.SchDoc		




Title: TE0803 - POWER		
A4	Number: TE0803 02CG-1E	Rev. 01
Date: 2016-12-23	Copyright: Trenz Electronic GmbH / TT	Page23 of 25
Filename: POWER.SchDoc		



			Title: TE0803 - POWER_2	
			A4	Number: TE0803 02CG-1E
Date: 2016-12-23		Copyright: Trenz Electronic GmbH / TT		Page24 of 25
Filename: POWER_2.SchDoc				



		Title: TE0803 - POWER_4	
		A4	Number: TE0803 02CG-1E
Date: 2016-12-23		Copyright: Trenz Electronic GmbH / TT	
Filename: POWER_4.SchDoc		Page 25 of 25	
		Rev. 01	