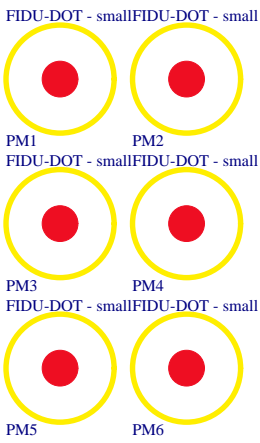
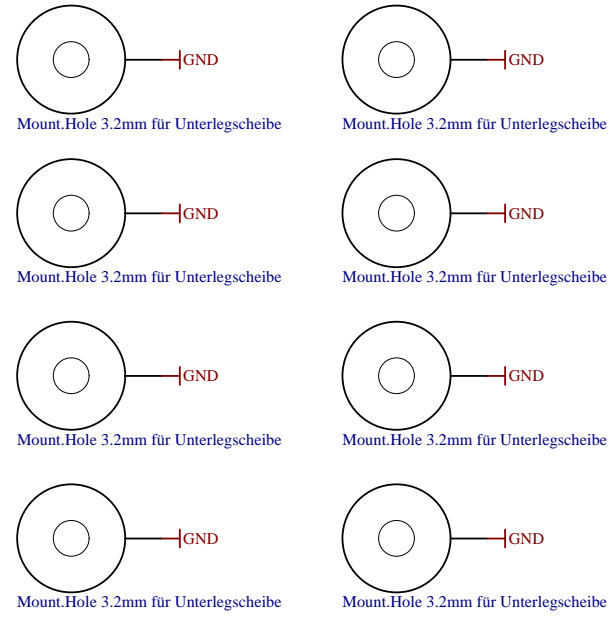
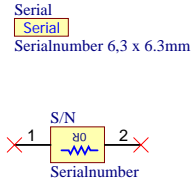


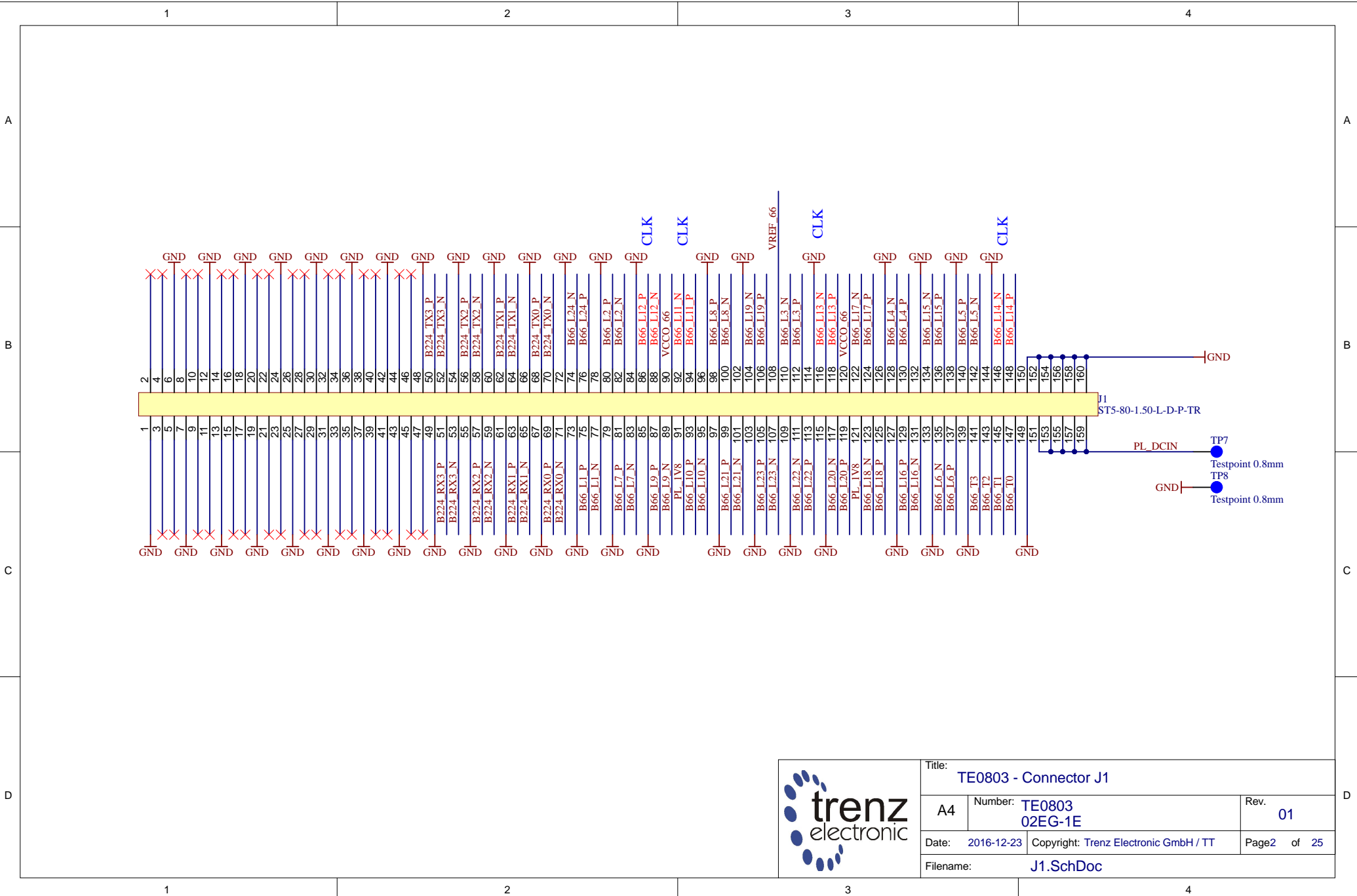
- |                                 |                                   |                                     |
|---------------------------------|-----------------------------------|-------------------------------------|
| U_J1<br>J1.SchDoc               | U_B_PS_GT<br>B_PS_GT.SchDoc       | U_DDR4-TERM<br>DDR4-TERM.SchDoc     |
| U_J2<br>J2.SchDoc               | U_PS_DDR<br>PS_DDR.SchDoc         | U_ZU_POWER<br>ZU_POWER.SchDoc       |
| U_J3<br>J3.SchDoc               | U_B_MIO<br>B_MIO.SchDoc           | U_ZU_PS_POWER<br>ZU_PS_POWER.SchDoc |
| U_J4<br>J4.SchDoc               | U_B_HD<br>B_HD.SchDoc             | U_POWER<br>POWER.SchDoc             |
| U_DDR4-TERM<br>DDR4-TERM.SchDoc | U_Clock<br>Clock.SchDoc           | U_POWER_2<br>POWER_2.SchDoc         |
| U_B64<br>B64.SchDoc             | U_CONFIG<br>CONFIG.SchDoc         |                                     |
| U_B65<br>B65.SchDoc             | U_DDR4-RAM<br>DDR4-RAM.SchDoc     | U_POWER_4<br>POWER_4.SchDoc         |
| U_B66<br>B66.SchDoc             | U_DDR4-RAM_2<br>DDR4-RAM_2.SchDoc |                                     |
| U_B_GT<br>B_GT.SchDoc           | U_DDR4-RAM_3<br>DDR4-RAM_3.SchDoc |                                     |
|                                 | U_DDR4-RAM_4<br>DDR4-RAM_4.SchDoc |                                     |



LOGO1  
TE Logo PRINT Layer  
LOGO PRINT



Title: TE0803		
A4	Number: TE0803 02EG-1E	Rev. 01
Date: 2016-12-23	Copyright: Trenz Electronic GmbH / TT	Page1 of 25
Filename: TE0803.SchDoc		



Title: TE0803 - Connector J1		
A4	Number: TE0803 02EG-1E	Rev. 01
Date: 2016-12-23	Copyright: Trenz Electronic GmbH / TT	Page2 of 25
Filename: J1.SchDoc		

1

2

3

4

A

A

B

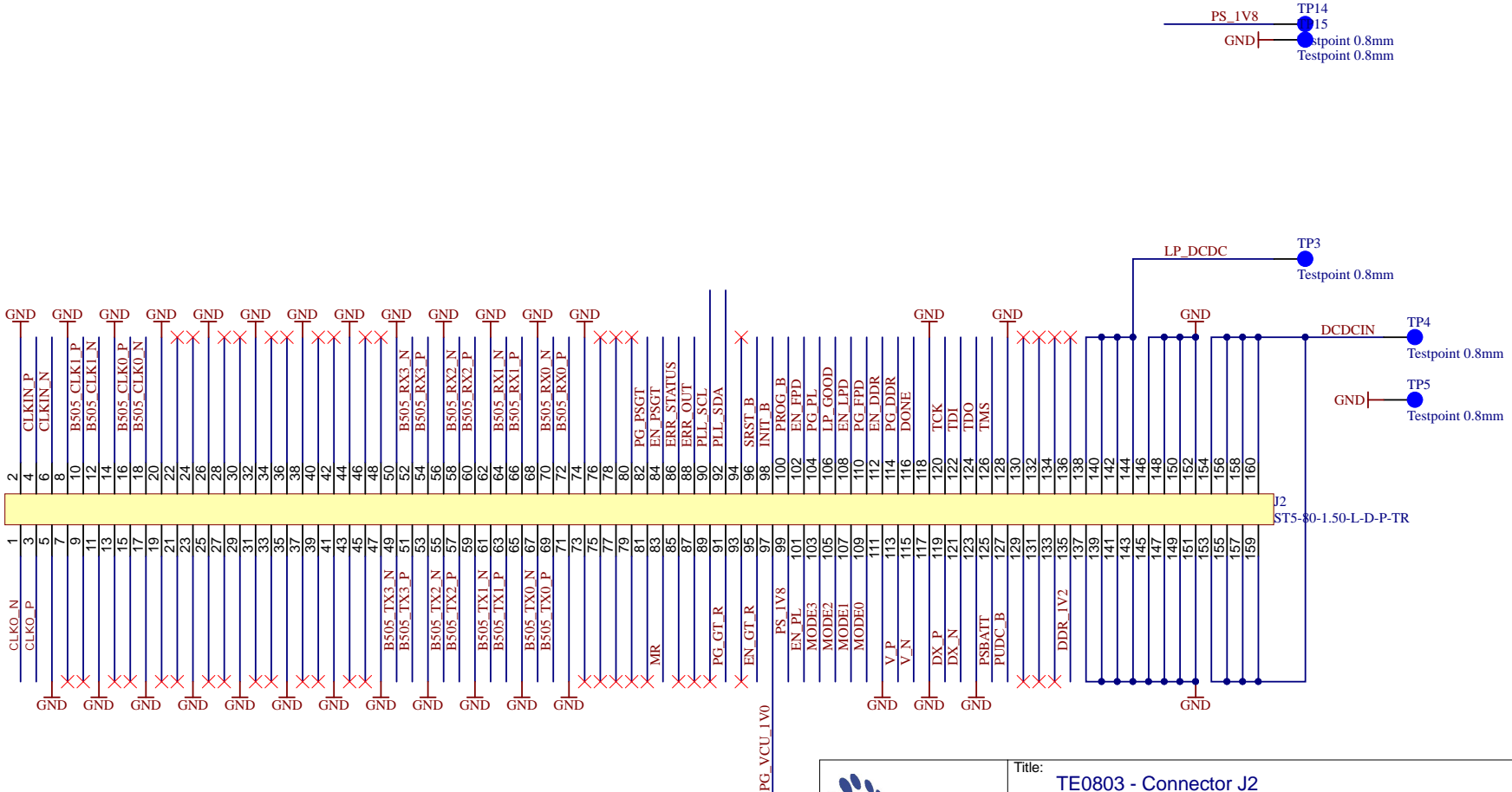
B

C

C

D

D



Title: TE0803 - Connector J2		
A4	Number: TE0803 02EG-1E	Rev. 01
Date: 2016-12-23	Copyright: Trenz Electronic GmbH / TT	Page3 of 25
Filename: J2.SchDoc		

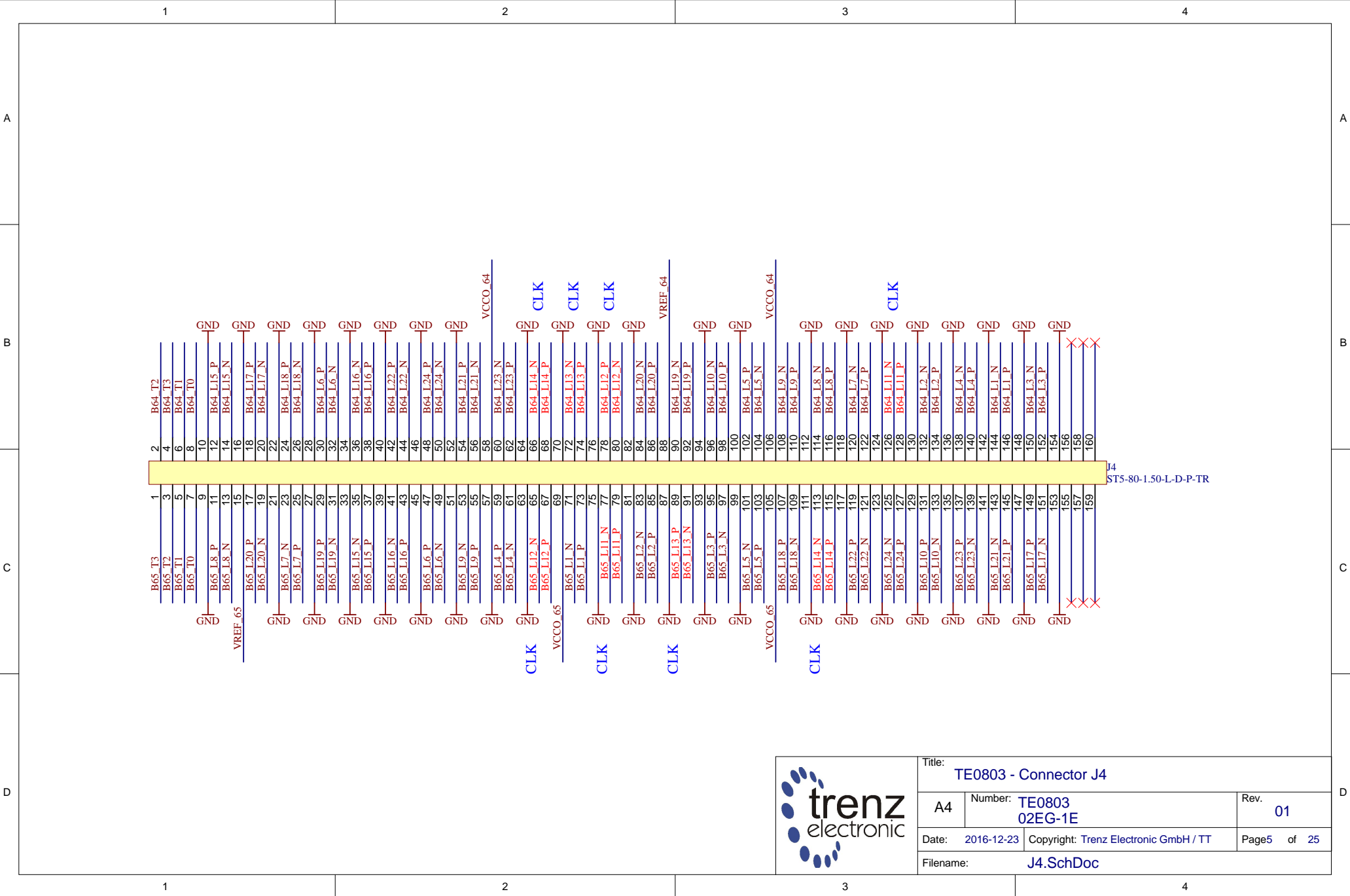
1

2

3

4

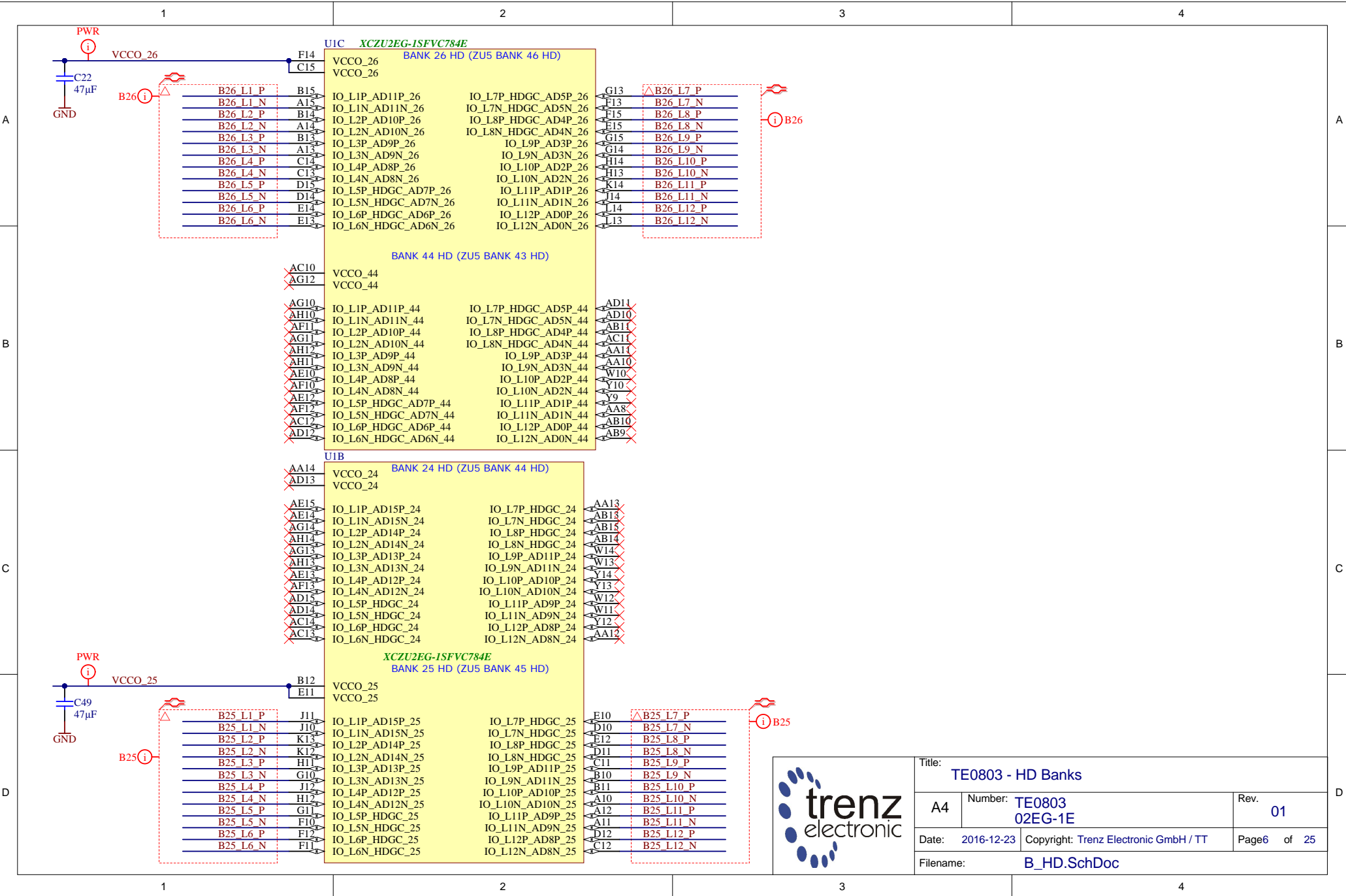




J4  
ST5-80-1.50-L-D-P-TR



Title: TE0803 - Connector J4		
A4	Number: TE0803 02EG-1E	Rev. 01
Date: 2016-12-23	Copyright: Trenz Electronic GmbH / TT	Page5 of 25
Filename: J4.SchDoc		



**UIC XCZU2EG-1SFVC784E**  
**BANK 26 HD (ZU5 BANK 46 HD)**

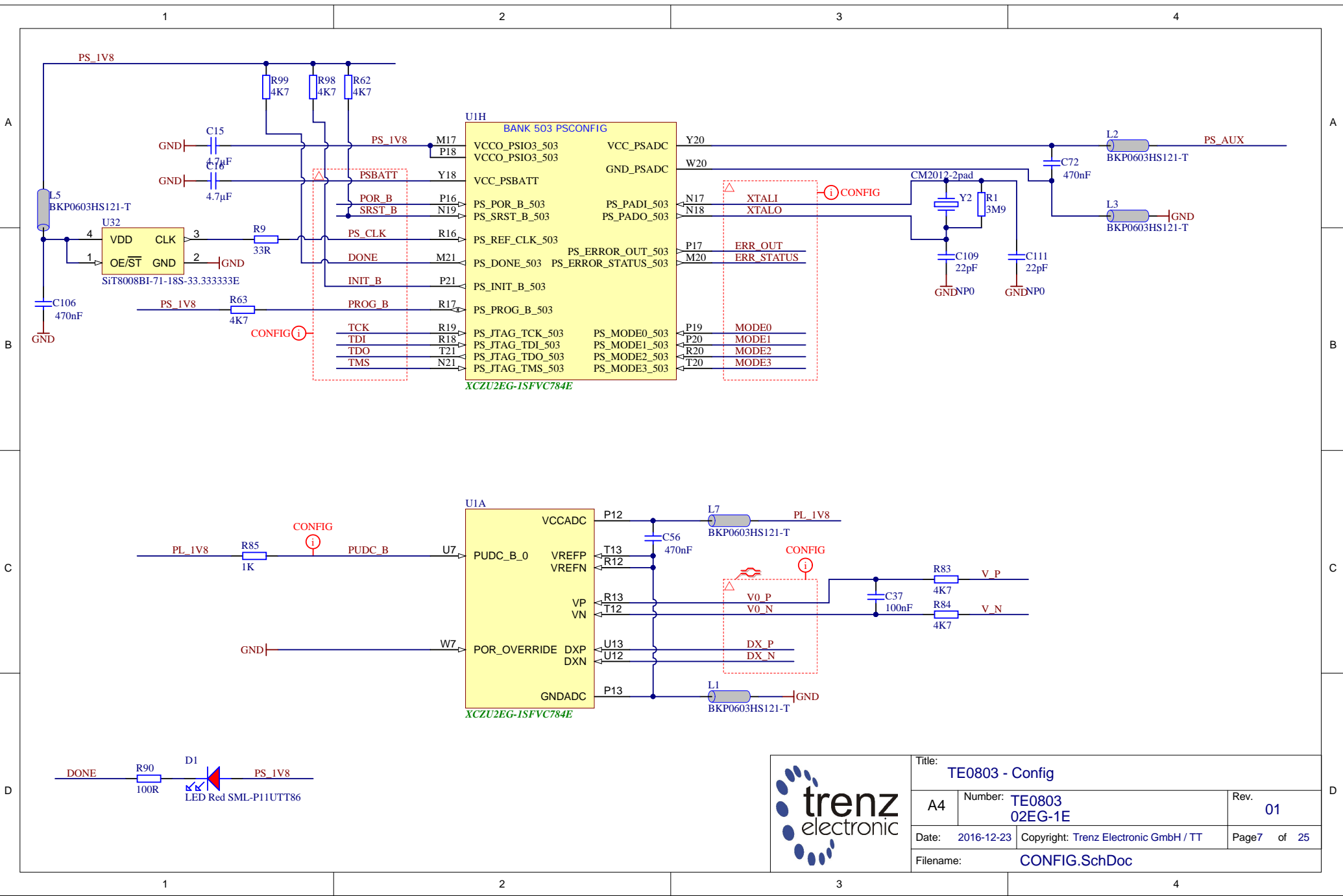
**BANK 44 HD (ZU5 BANK 43 HD)**

**UIB**  
**BANK 24 HD (ZU5 BANK 44 HD)**

**XCZU2EG-1SFVC784E**  
**BANK 25 HD (ZU5 BANK 45 HD)**



Title: <b>TE0803 - HD Banks</b>		
A4	Number: <b>TE0803 02EG-1E</b>	Rev. <b>01</b>
Date: 2016-12-23	Copyright: Trenz Electronic GmbH / TT	Page6 of 25
Filename: <b>B_HD.SchDoc</b>		



Title: TE0803 - Config		
A4	Number: TE0803 02EG-1E	Rev. 01
Date: 2016-12-23	Copyright: Trenz Electronic GmbH / TT	Page7 of 25
Filename: CONFIG.SchDoc		

1

2

3

4

A

A

B

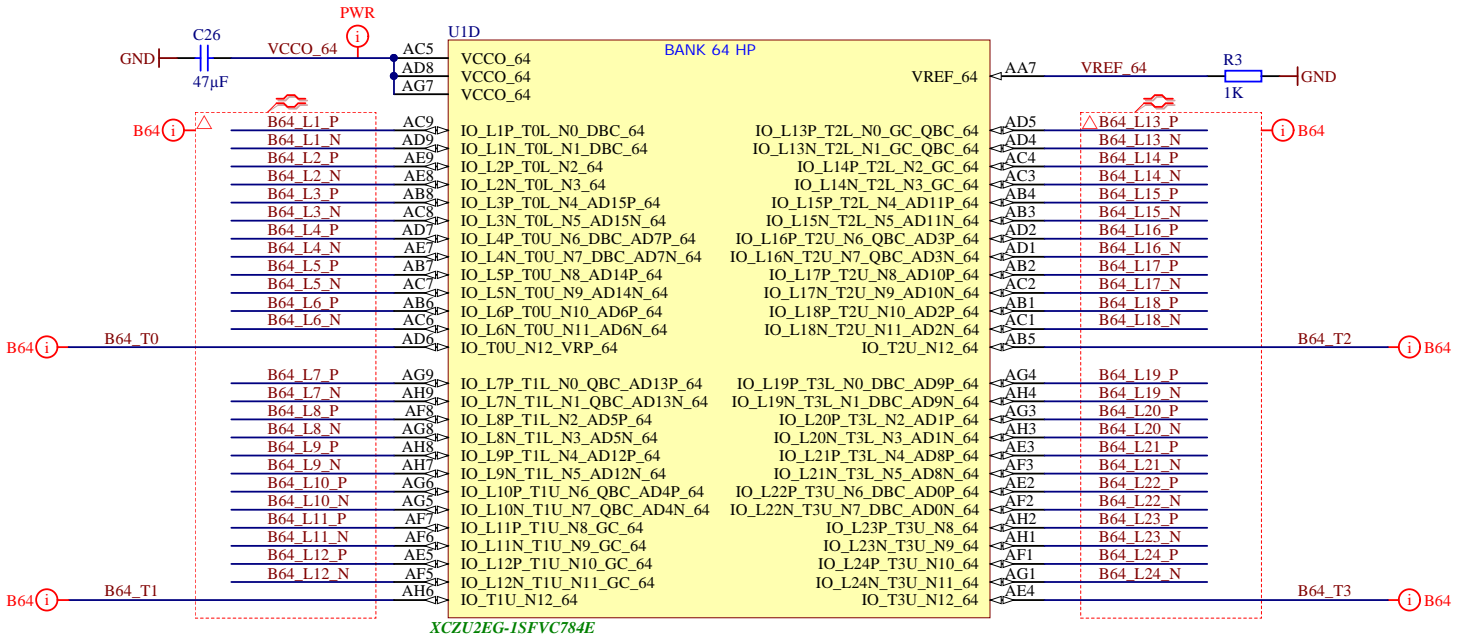

B

C

C

D

D

Title: TE0803 - B64		
A4	Number: TE0803 02EG-1E	Rev. 01
Date: 2016-12-23	Copyright: Trenz Electronic GmbH / TT	Page8 of 25
Filename: B64.SchDoc		

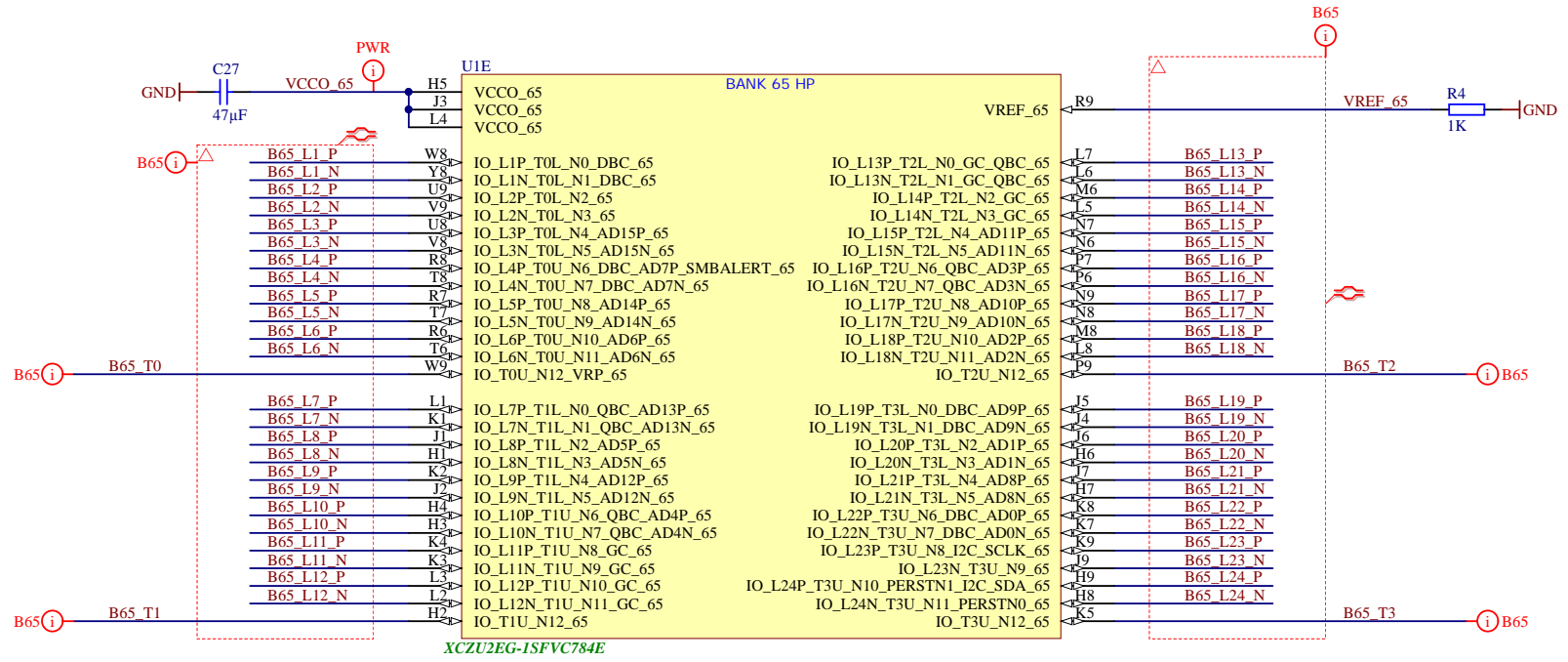
1

2

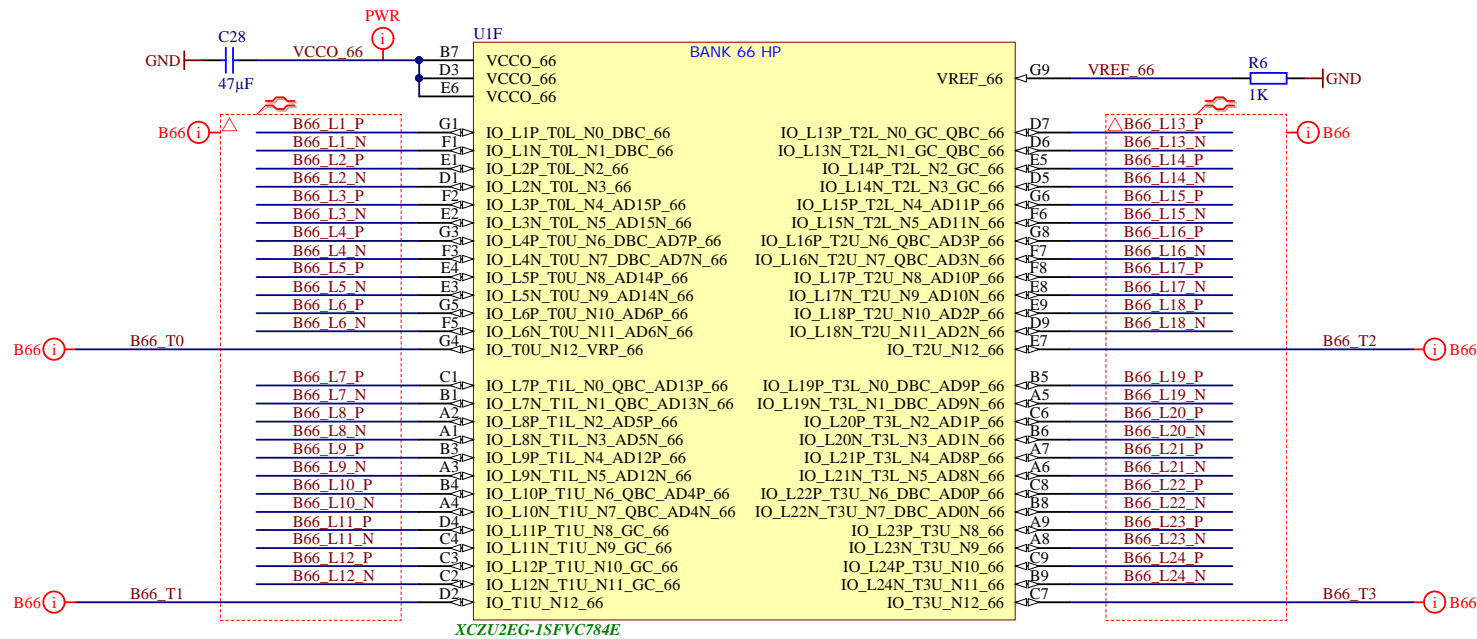
3

4

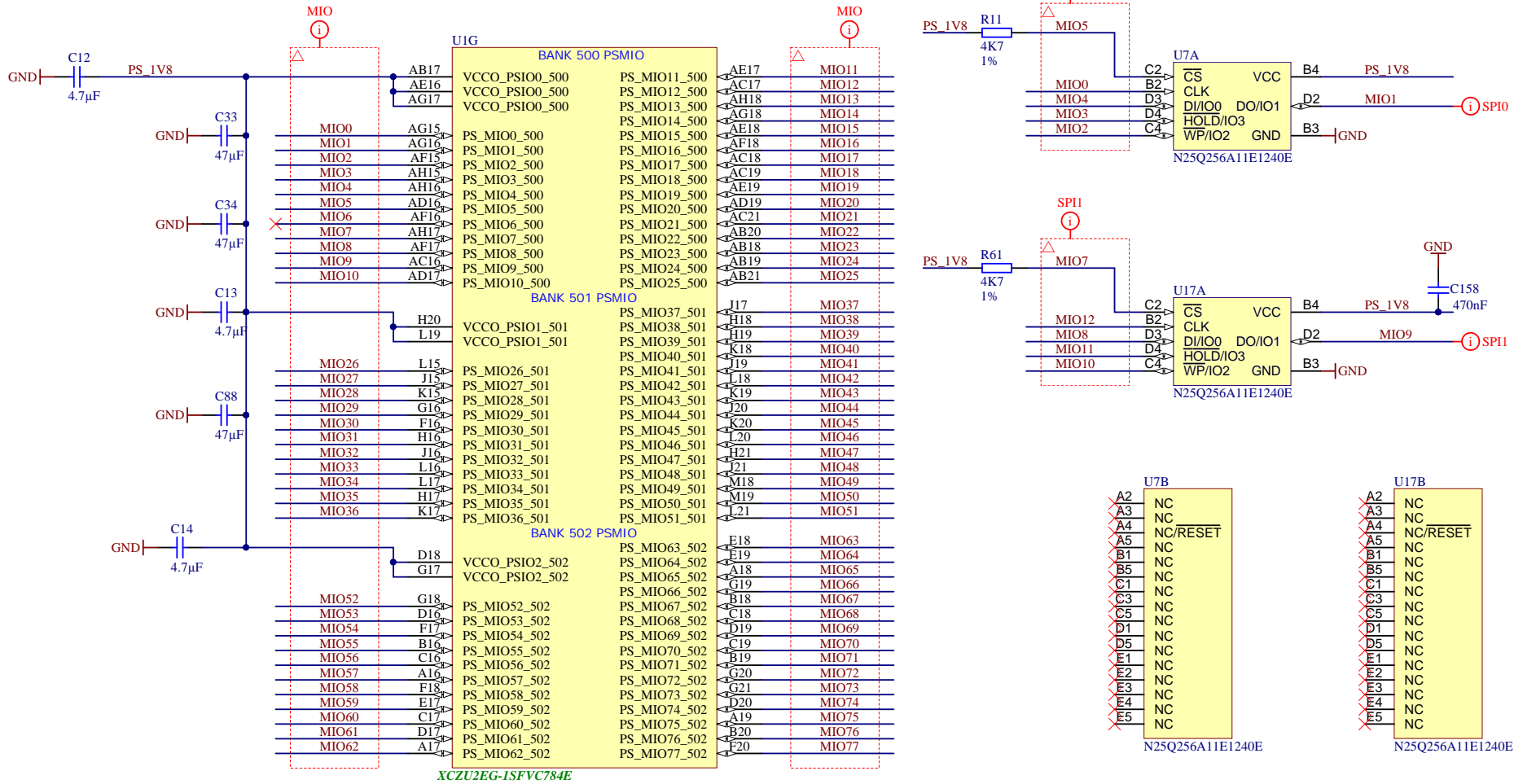





Title: TE0803 - B65		
A4	Number: TE0803 02EG-1E	Rev. 01
Date: 2016-12-23	Copyright: Trenz Electronic GmbH / TT	Page9 of 25
Filename: B65.SchDoc		

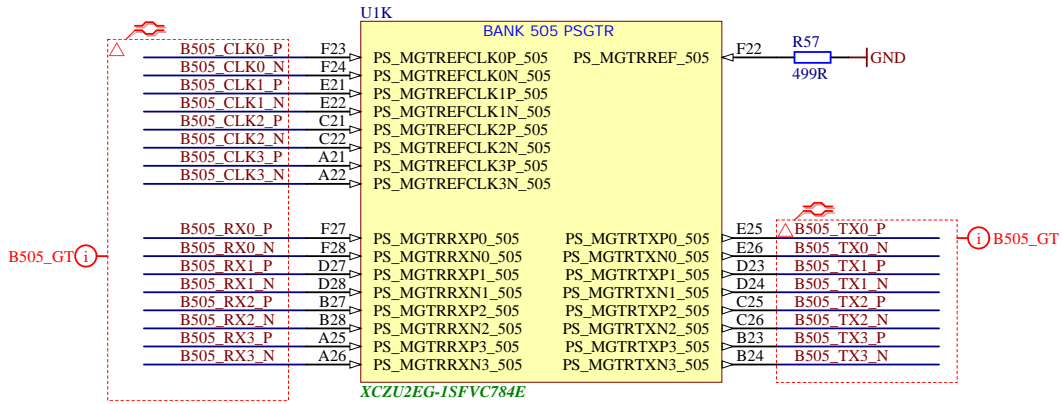


Title: TE0803 - B66		
A4	Number: TE0803 02EG-1E	Rev. 01
Date: 2016-12-23	Copyright: Trenz Electronic GmbH / TT	Page10 of 25
Filename: B66.SchDoc		

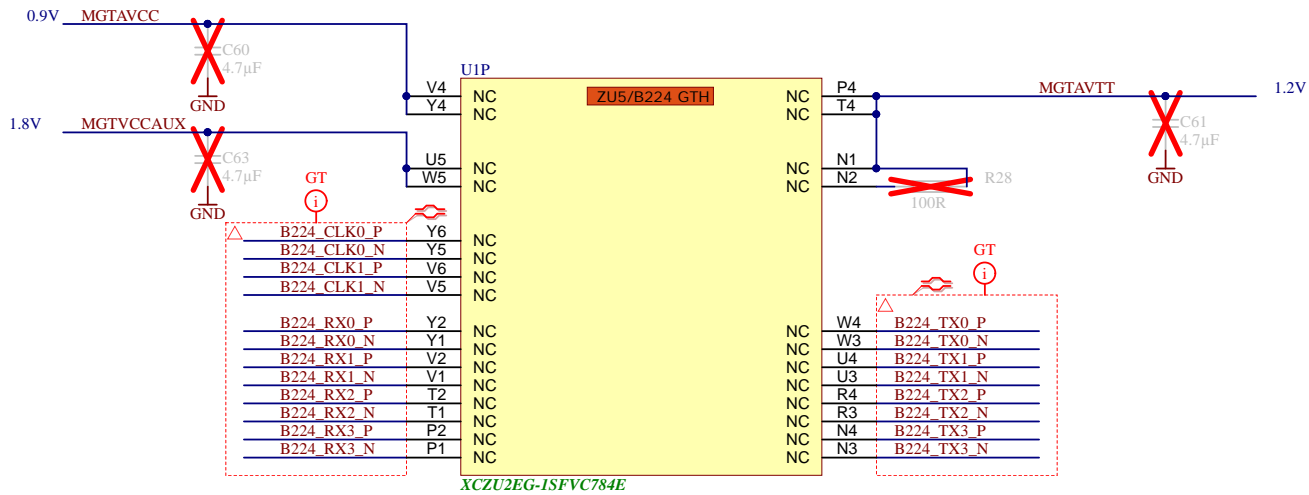


			Title: TE0803 - MIO Banks	
			A4	Number: TE0803 02EG-1E
Date: 2016-12-23		Copyright: Trenz Electronic GmbH / TT		Page 11 of 25
Filename: B_MIO.SchDoc				

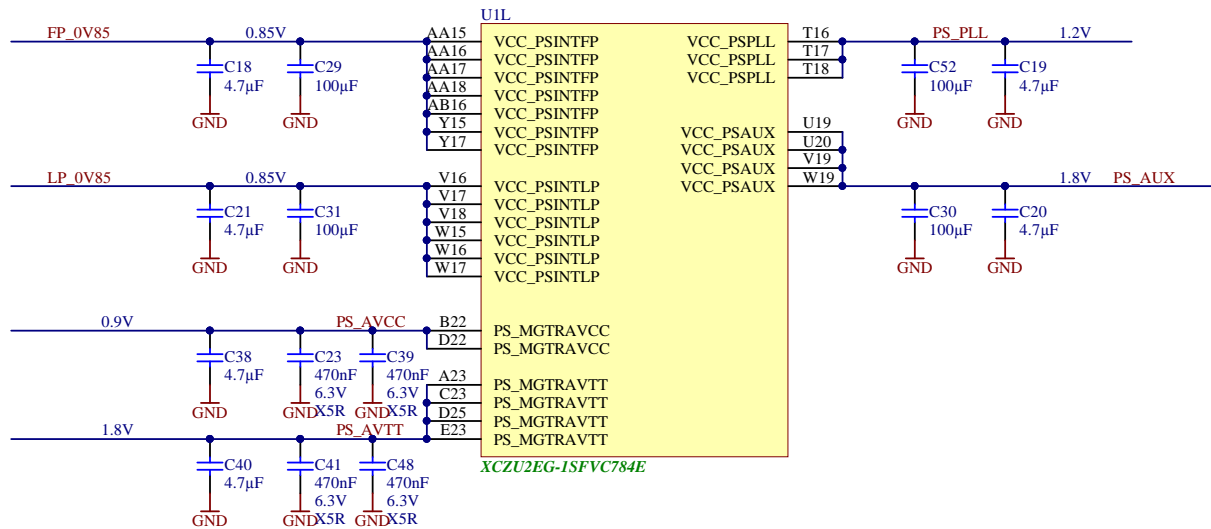




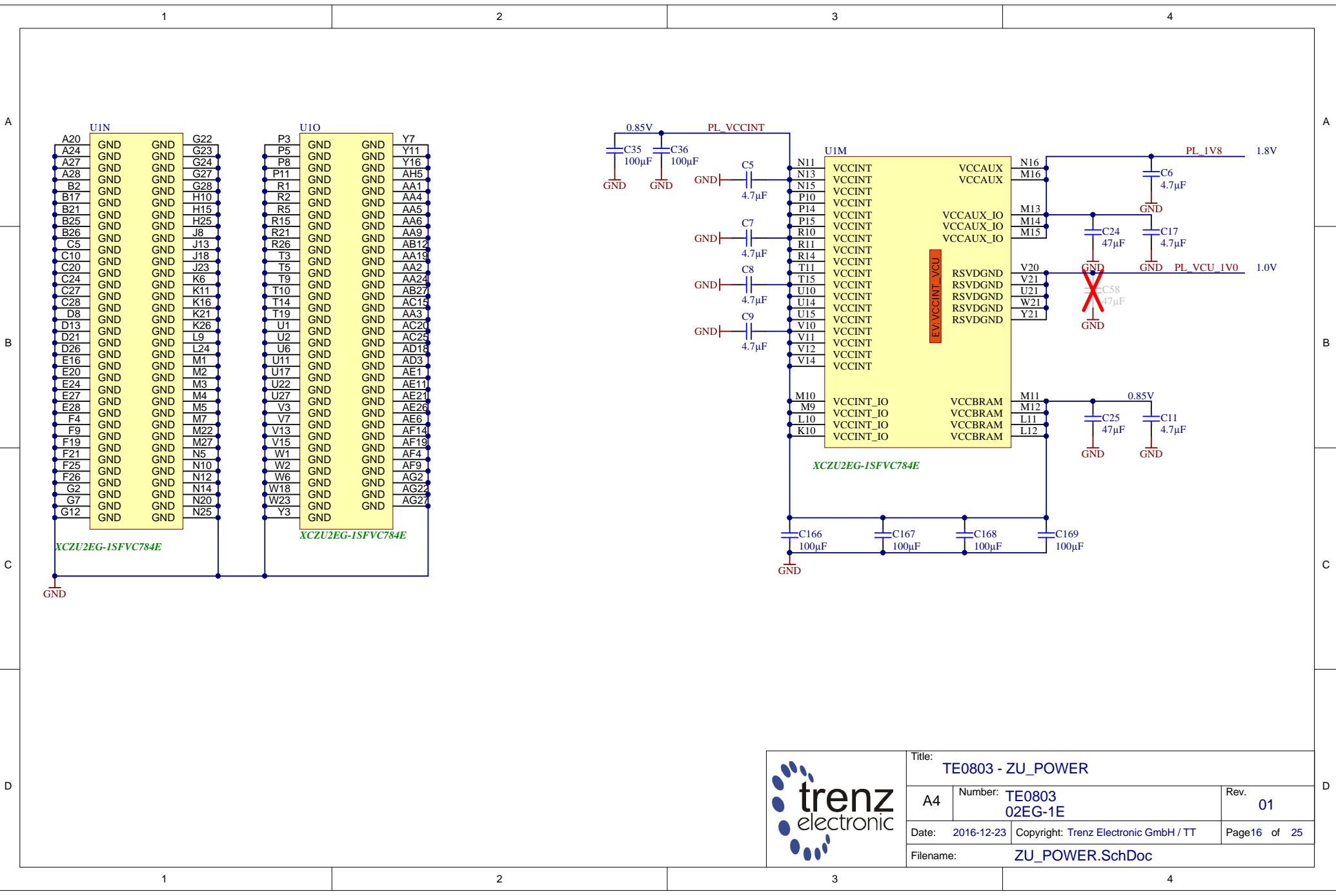
	Title: TE0803 - PS_GT		
	A4	Number: TE0803 02EG-1E	Rev. 01
	Date: 2016-12-23	Copyright: Trenz Electronic GmbH / TT	Page13 of 25
	Filename: B_PS_GT.SchDoc		




Title: TE0803 - B224GTH		
A4	Number: TE0803 02EG-1E	Rev. 01
Date: 2016-12-23	Copyright: Trenz Electronic GmbH / TT	Page 14 of 25
Filename: B_GT.SchDoc		



Title: TE0803 - ZU_PS_POWER		
A4	Number: TE0803 02EG-1E	Rev. 01
Date: 2016-12-23	Copyright: Trenz Electronic GmbH / TT	Page 15 of 25
Filename: ZU_PS_POWER.SchDoc		



			Title: TE0803 - ZU_POWER	
			A4	Number: TE0803 02EG-1E
Date: 2016-12-23		Copyright: Trenz Electronic GmbH / TT		Page16 of 25
Filename: ZU_POWER.SchDoc				



1

2

3

4

A

A

B

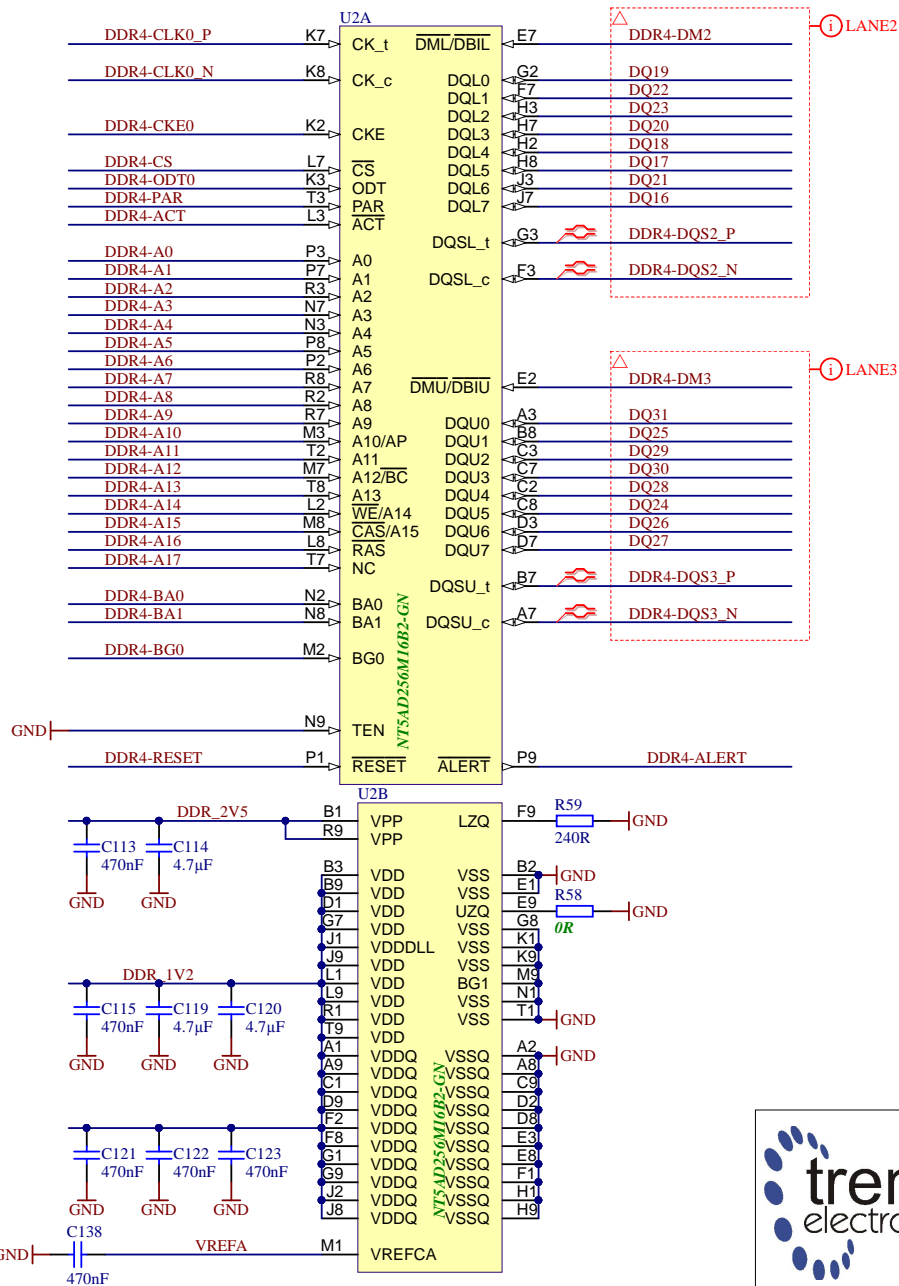

B

C

C

D

D

Title: TE0803 - DDR4_1_RAM		
A4	Number: TE0803 02EG-1E	Rev. 01
Date: 2016-12-23	Copyright: Trenz Electronic GmbH / TT	Page 17 of 25
Filename: DDR4-RAM.SchDoc		

1

2

3

4

1

2

3

4

A

A

B

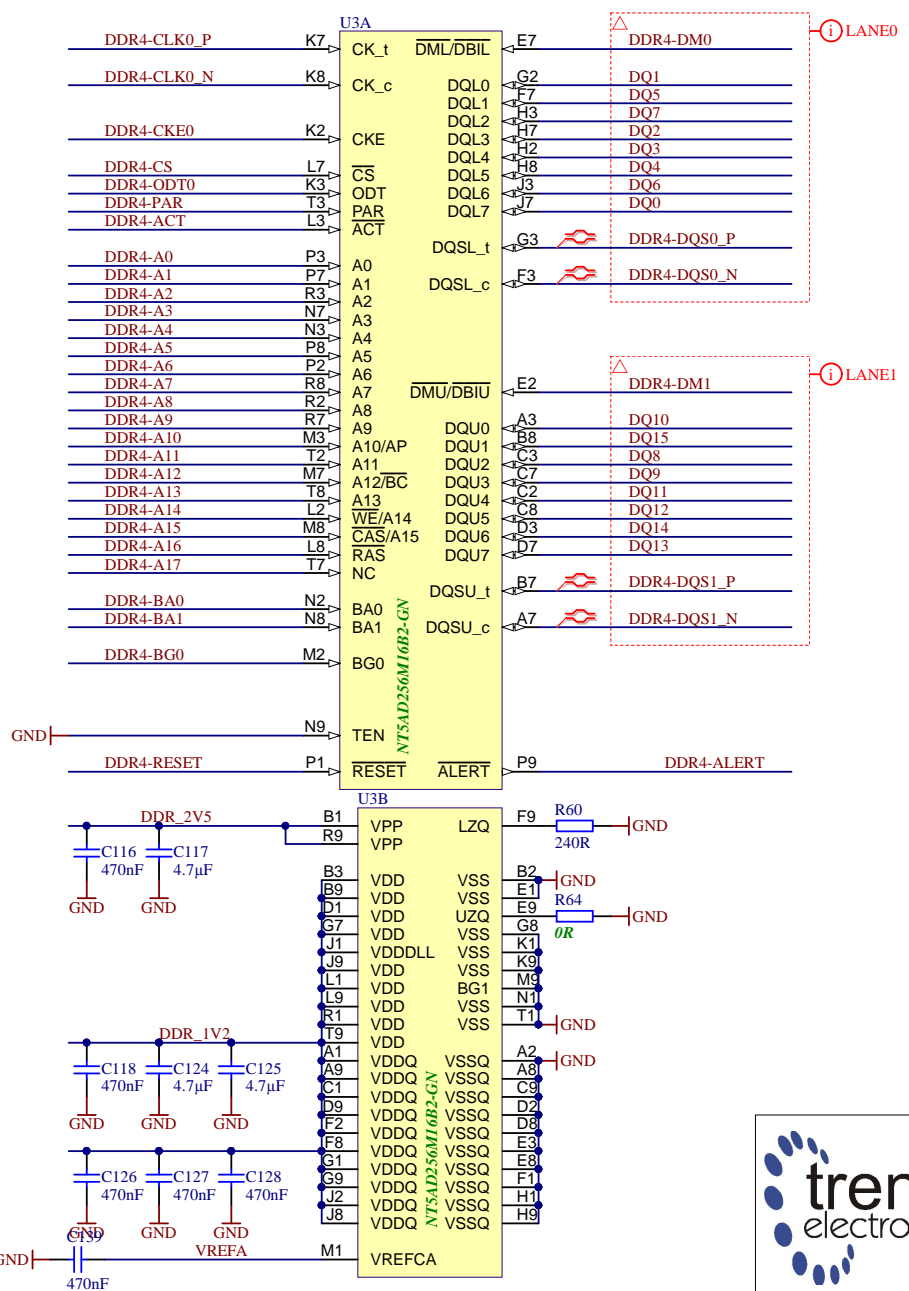

B

C

C

D

D

Title: TE0803 - DDR4_2_RAM		
A4	Number: TE0803 02EG-1E	Rev. 01
Date: 2016-12-23	Copyright: Trenz Electronic GmbH / TT	Page 18 of 25
Filename: DDR4-RAM_2.SchDoc		

1

2

3

4

1

2

3

4

A

A

B

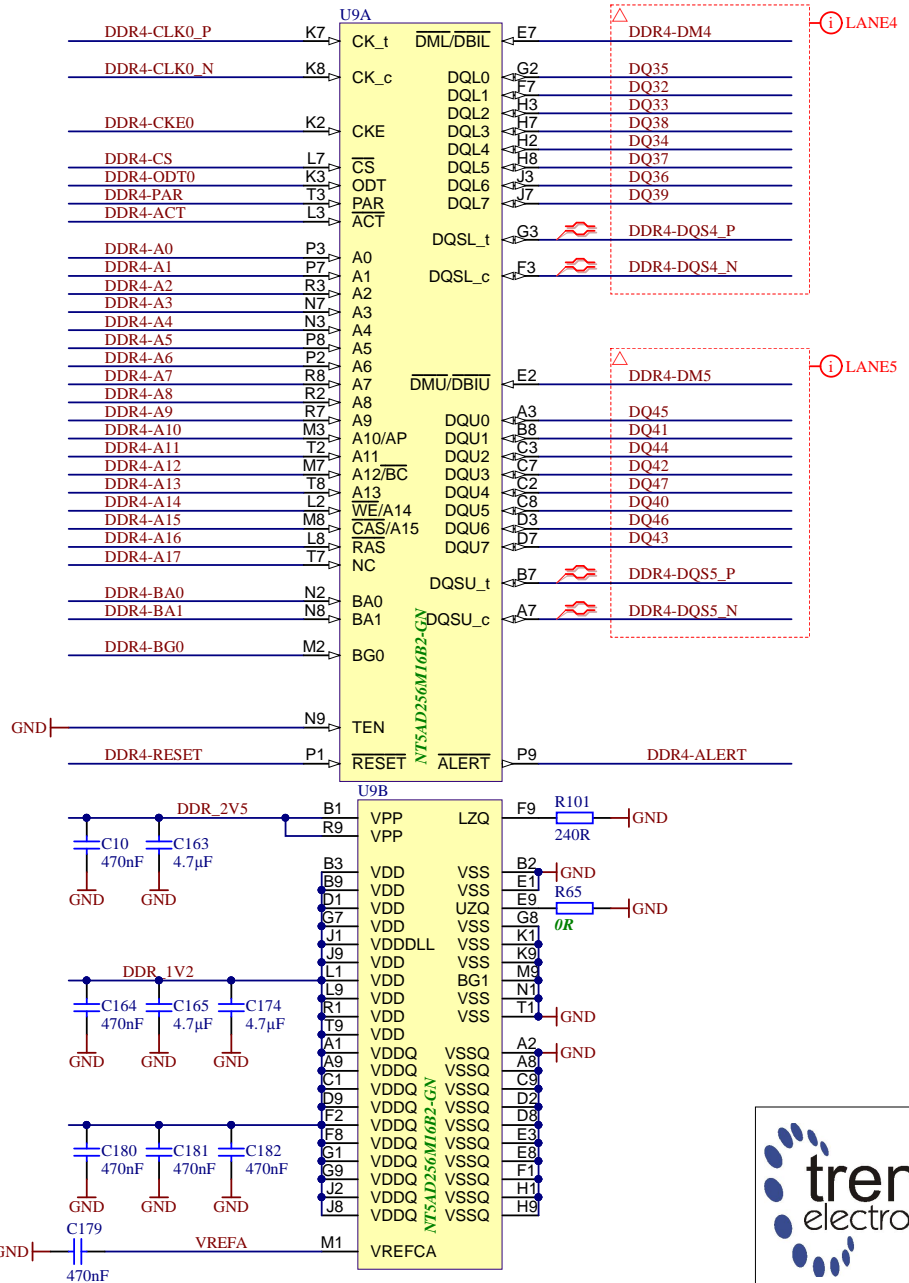
B

C

C

D

D



Title: TE0803 - DDR4_3_RAM		
A4	Number: TE0803 02EG-1E	Rev. 01
Date: 2016-12-23	Copyright: Trenz Electronic GmbH / TT	Page 19 of 25
Filename: DDR4-RAM_3.SchDoc		

1

2

3

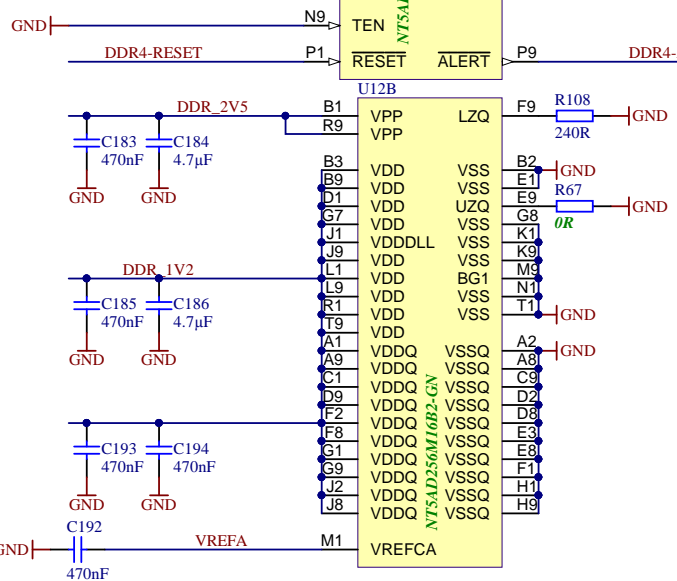
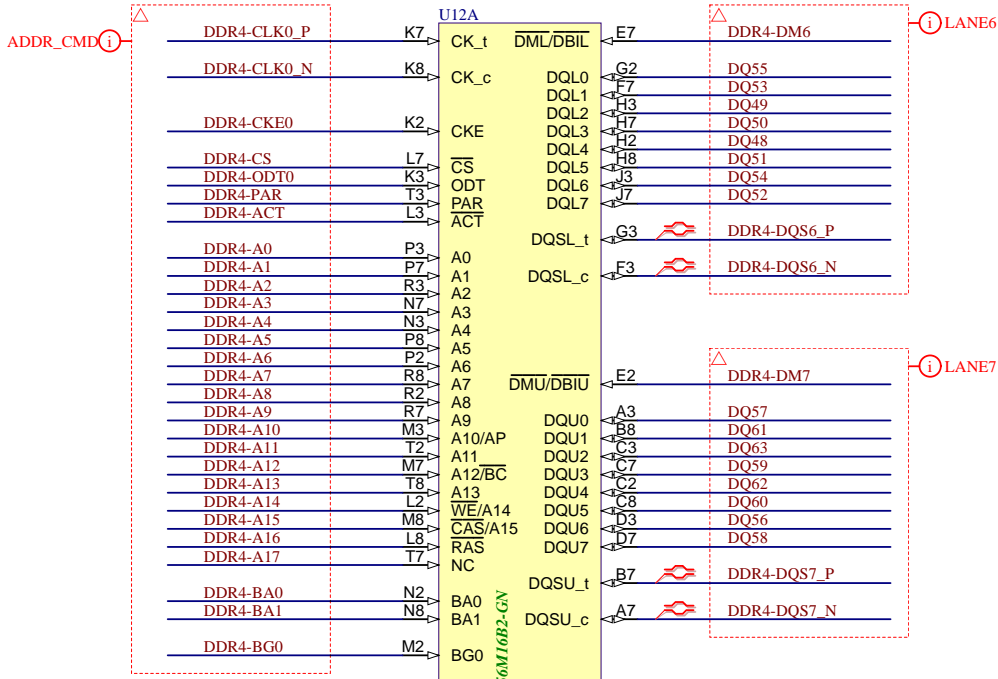
4

1

2

3

4



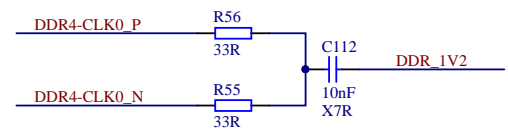
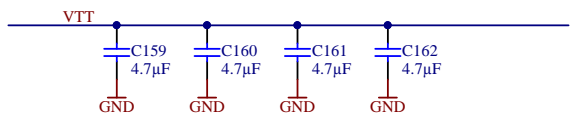
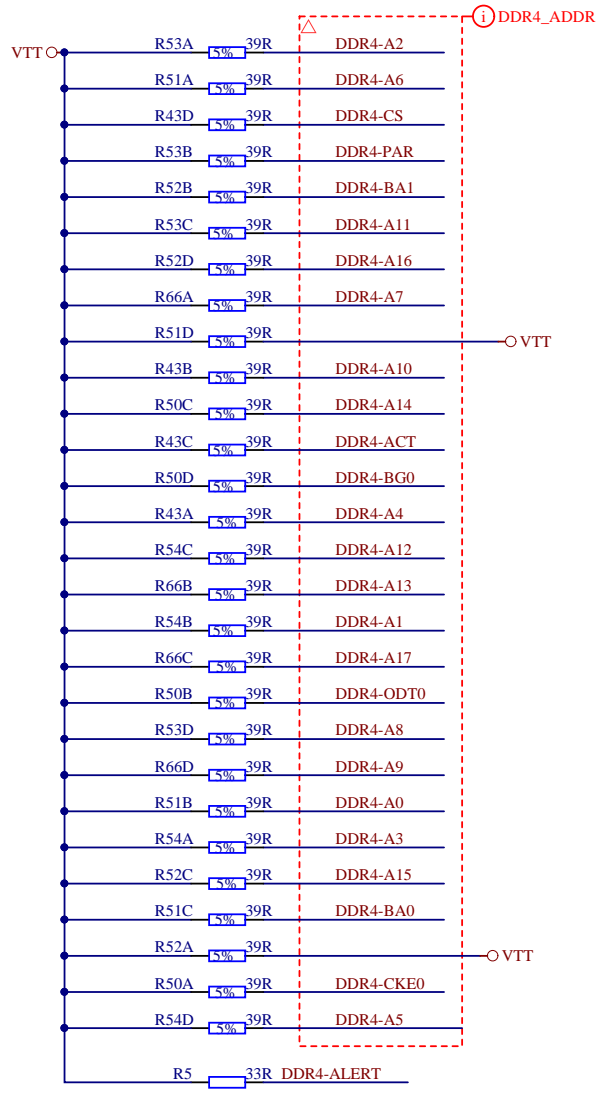
Title: TE0803 - DDR4_4_RAM		
A4	Number: TE0803 02EG-1E	Rev. 01
Date: 2016-12-23	Copyright: Trenz Electronic GmbH / TT	Page20 of 25
Filename: DDR4-RAM_4.SchDoc		

1

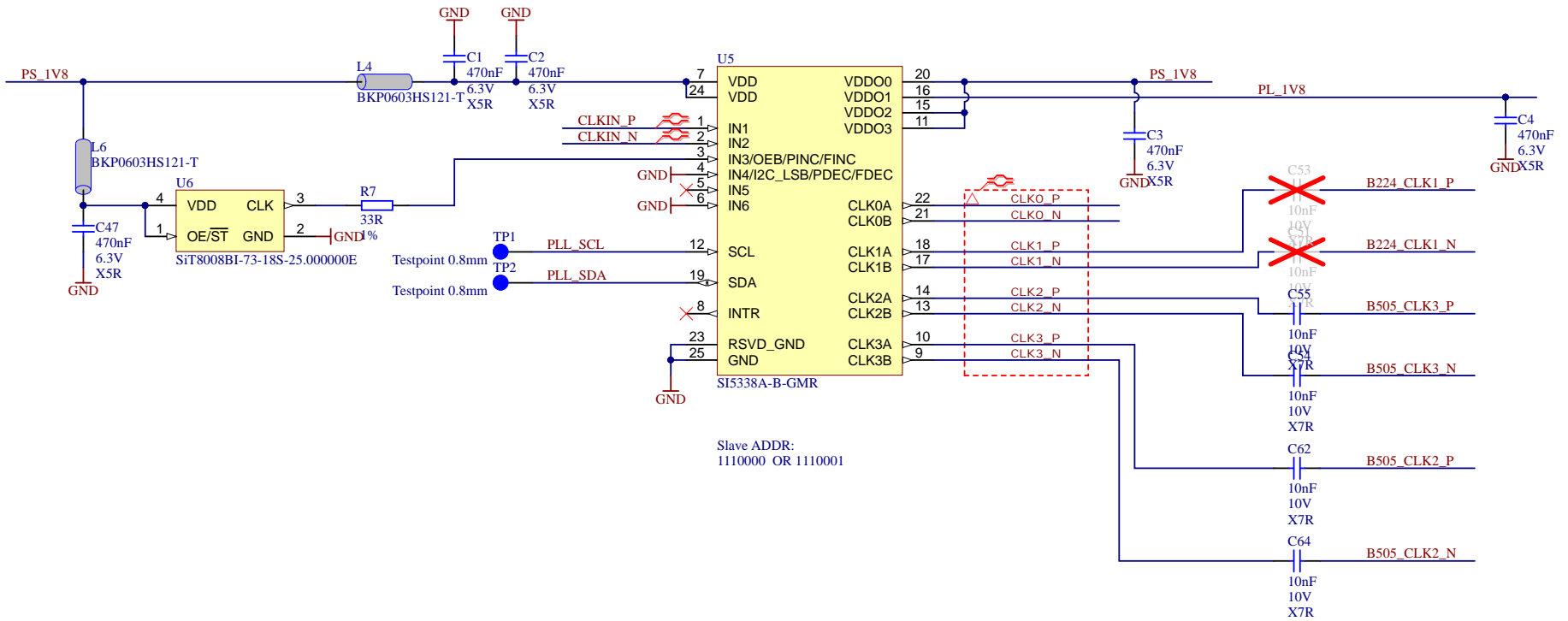
2

3

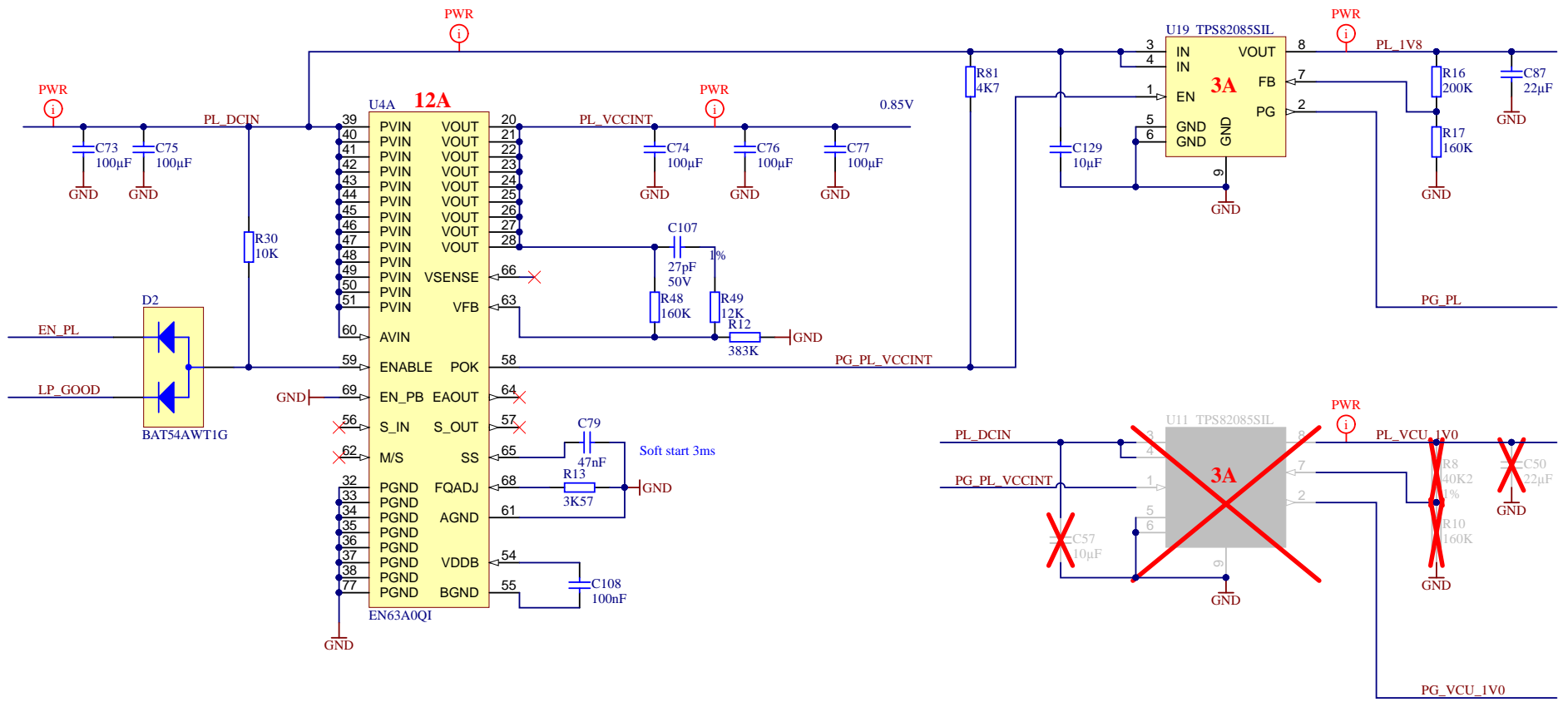
4



Title: TE0803 - DDR4_TERM		
A4	Number: TE0803 02EG-1E	Rev. 01
Date: 2016-12-23	Copyright: Trenz Electronic GmbH / TT	Page21 of 25
Filename: DDR4-TERM.SchDoc		



Title: TE0803 - CLOCK		
A4	Number: TE0803 02EG-1E	Rev. 01
Date: 2016-12-23	Copyright: Trenz Electronic GmbH / TT	Page 22 of 25
Filename: Clock.SchDoc		



U4B  
EN63A0QI

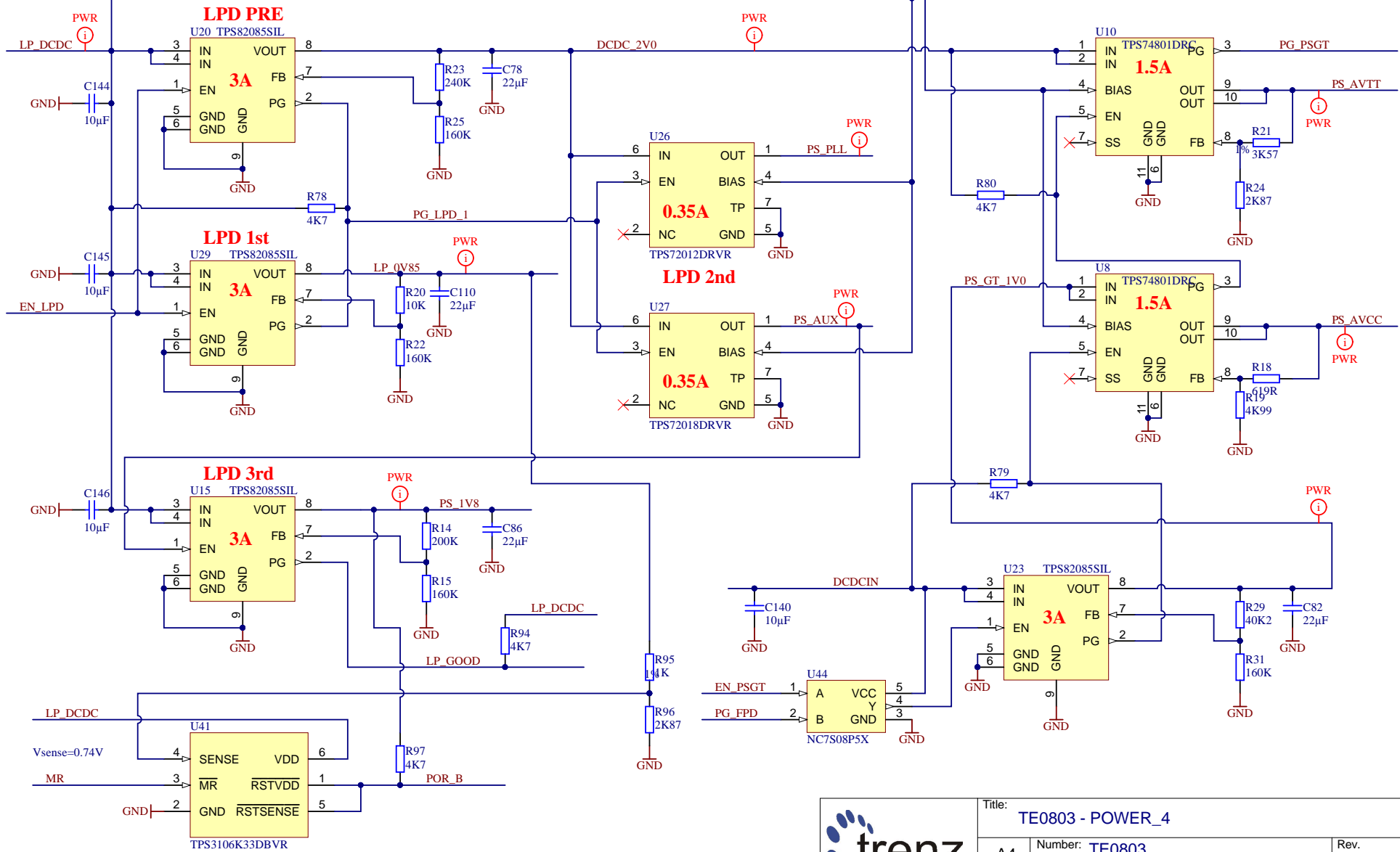
1	NC	NC	17
2	NC	NC	18
3	NC	NC	19
4	NC	NC	29
5	NC	NC	30
6	NC	NC(SW)	31
7	NC	NC(SW)	52
8	NC	NC	53
9	NC	NC	67
10	NC	NC(SW)	70
11	NC	NC(SW)	71
12	NC	NC(SW)	72
13	NC	NC	73
14	NC	NC	74
15	NC	NC	75
16	NC	NC	76



Title: TE0803 - POWER		
A4	Number: TE0803 02EG-1E	Rev. 01
Date: 2016-12-23	Copyright: Trenz Electronic GmbH / TT	Page23 of 25
Filename: POWER.SchDoc		







Title: TE0803 - POWER_4		
A4	Number: TE0803 02EG-1E	Rev. 01
Date: 2016-12-23	Copyright: Trenz Electronic GmbH / TT	Page 25 of 25
Filename: POWER_4.SchDoc		