

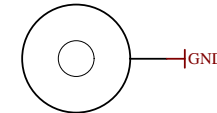
1

2

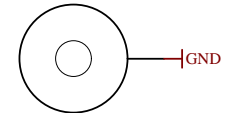
3

4

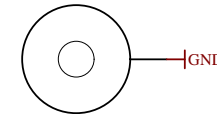
U_J1 J1.SchDoc	U_B_PS_GT B_PS_GT.SchDoc	U_DDR4-TERM DDR4-TERM.SchDoc
U_J2 J2.SchDoc	U_PS_DDR PS_DDR.SchDoc	U_ZU_POWER ZU_POWER.SchDoc
U_J3 J3.SchDoc	U_B_MIO B_MIO.SchDoc	U_ZU_PS_POWER ZU_PS_POWER.SchDoc
U_J4 J4.SchDoc	U_B_HD B_HD.SchDoc	U_POWER POWER.SchDoc
U_DDR4-TERM DDR4-TERM.SchDoc	U_Clock Clock.SchDoc	U_POWER_2 POWER_2.SchDoc
U_B64 B64.SchDoc	U_CONFIG CONFIG.SchDoc	
U_B65 B65.SchDoc	U_DDR4-RAM DDR4-RAM.SchDoc	U_POWER_4 POWER_4.SchDoc
U_B66 B66.SchDoc	U_DDR4-RAM_2 DDR4-RAM_2.SchDoc	
U_B_GT B_GT.SchDoc	U_DDR4-RAM_3 DDR4-RAM_3.SchDoc	
	U_DDR4-RAM_4 DDR4-RAM_4.SchDoc	



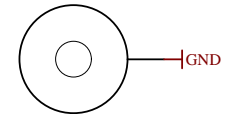
Mount.Hole 3.2mm für Unterlegscheibe



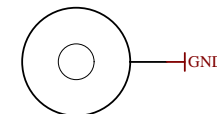
Mount.Hole 3.2mm für Unterlegscheibe



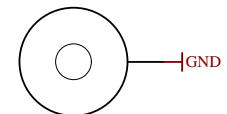
Mount.Hole 3.2mm für Unterlegscheibe



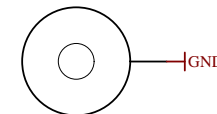
Mount.Hole 3.2mm für Unterlegscheibe



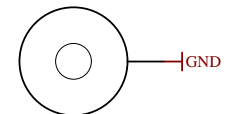
Mount.Hole 3.2mm für Unterlegscheibe



Mount.Hole 3.2mm für Unterlegscheibe



Mount.Hole 3.2mm für Unterlegscheibe



Mount.Hole 3.2mm für Unterlegscheibe

FIDU-DOT - small FIDU-DOT - small



PM1 PM2  
FIDU-DOT - small FIDU-DOT - small



PM3 PM4  
FIDU-DOT - small FIDU-DOT - small



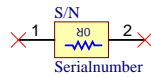
PM5 PM6

LOGO1

TE Logo PRINT Layer

LOGO PRINT

Serial  
Serial  
Serialnumber 6,3 x 6.3mm



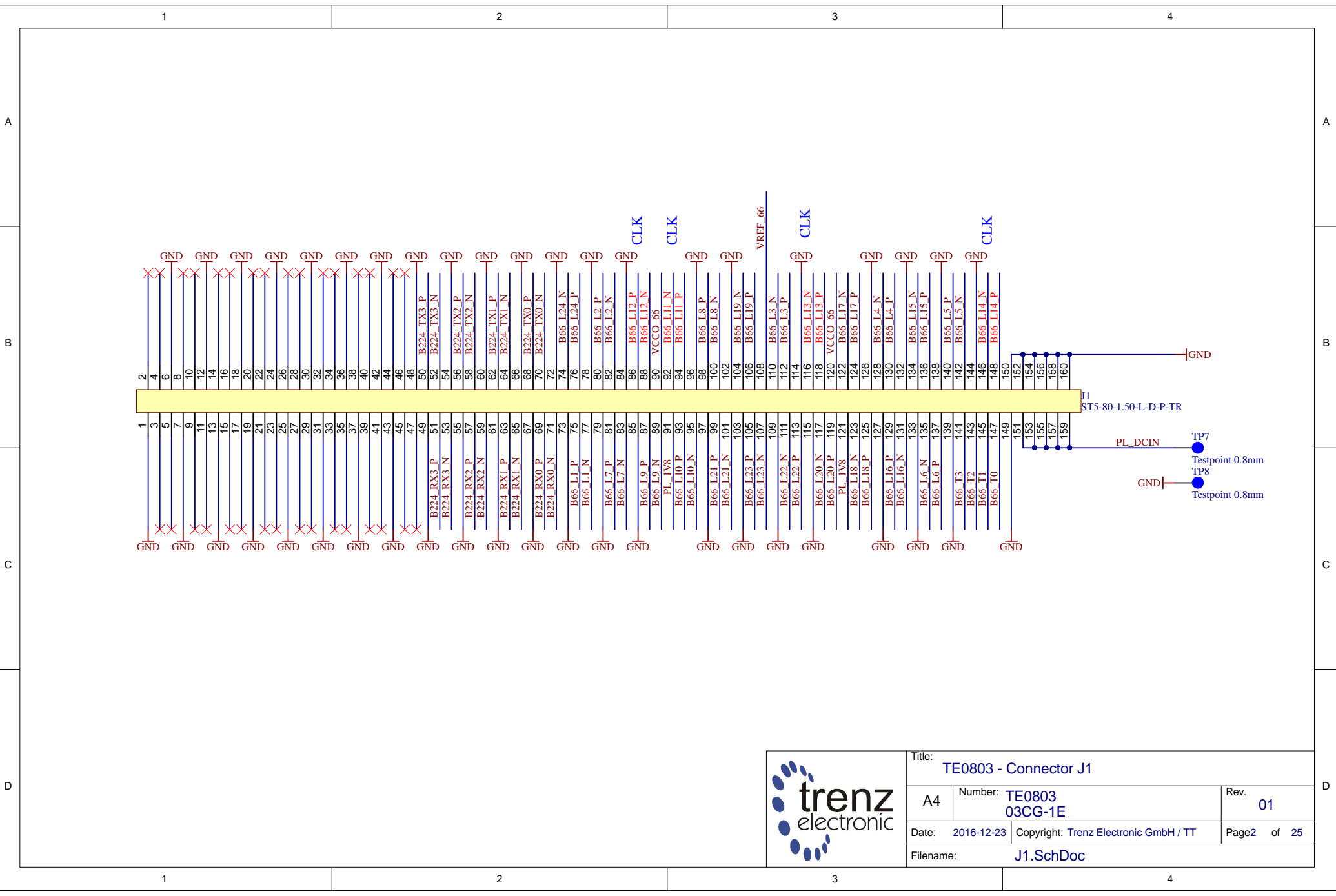
Title: TE0803		
A4	Number: TE0803 03CG-1E	Rev. 01
Date: 2016-12-23	Copyright: Trenz Electronic GmbH / TT	Page1 of 25
Filename: TE0803.SchDoc		

1

2

3

4



Title: TE0803 - Connector J1		
A4	Number: TE0803 03CG-1E	Rev. 01
Date: 2016-12-23	Copyright: Trenz Electronic GmbH / TT	Page2 of 25
Filename: J1.SchDoc		

1

2

3

4

A

A

B

B

C

C

D

D

1

2

3

4

1

2

3

4

A

A

B

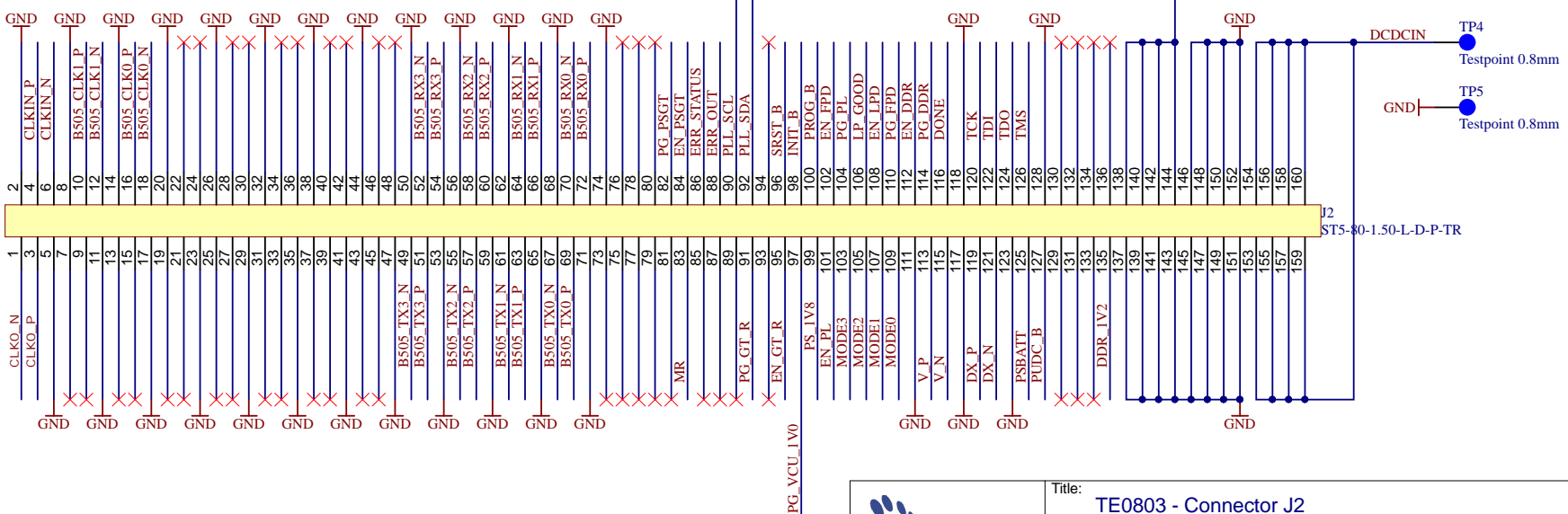
B

C

C

D

D



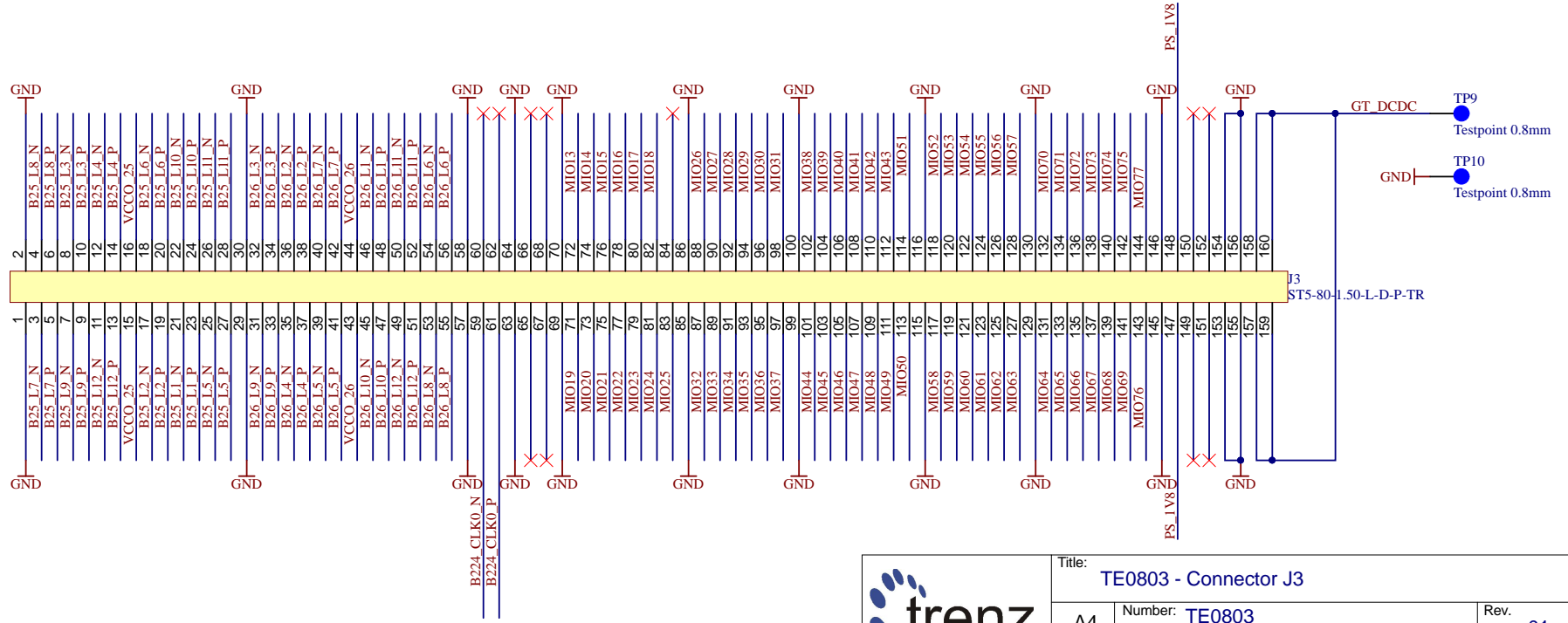
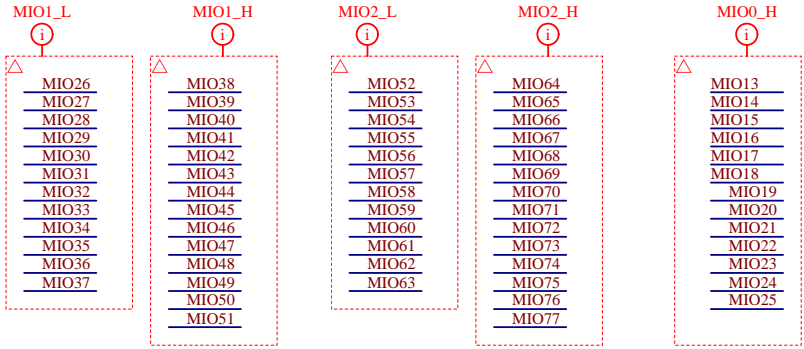
Title: TE0803 - Connector J2		
A4	Number: TE0803 03CG-1E	Rev. 01
Date: 2016-12-23	Copyright: Trenz Electronic GmbH / TT	Page3 of 25
Filename: J2.SchDoc		

1

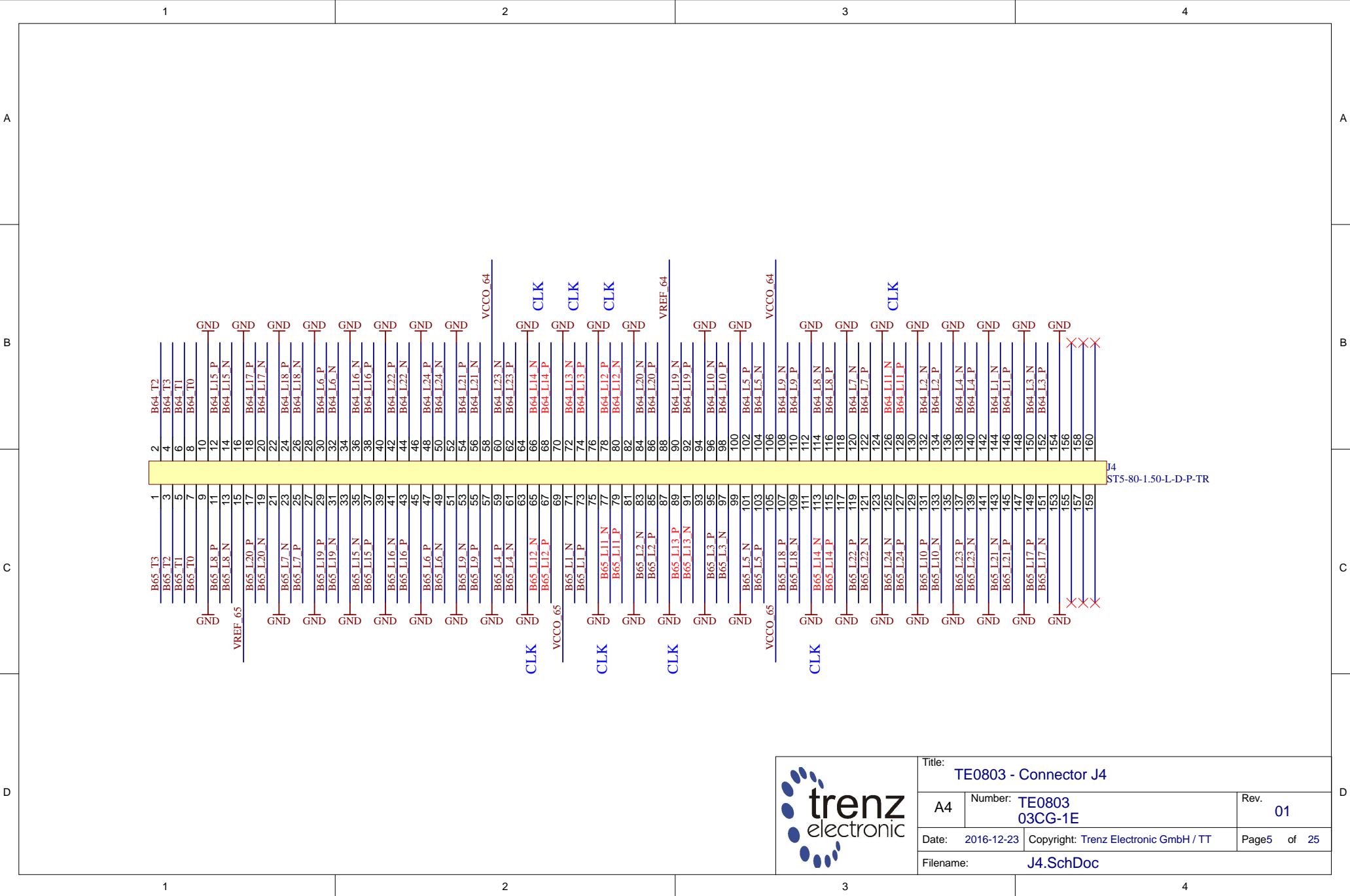
2

3

4



Title: <b>TE0803 - Connector J3</b>		
A4	Number: <b>TE0803 03CG-1E</b>	Rev. <b>01</b>
Date: <b>2016-12-23</b>	Copyright: <b>Trenz Electronic GmbH / TT</b>	Page4 of 25
Filename: <b>J3.SchDoc</b>		



Title: TE0803 - Connector J4		
A4	Number: TE0803 03CG-1E	Rev. 01
Date: 2016-12-23	Copyright: Trenz Electronic GmbH / TT	Page5 of 25
Filename: J4.SchDoc		

1

2

3

4

A

A

B

B

C

C

D

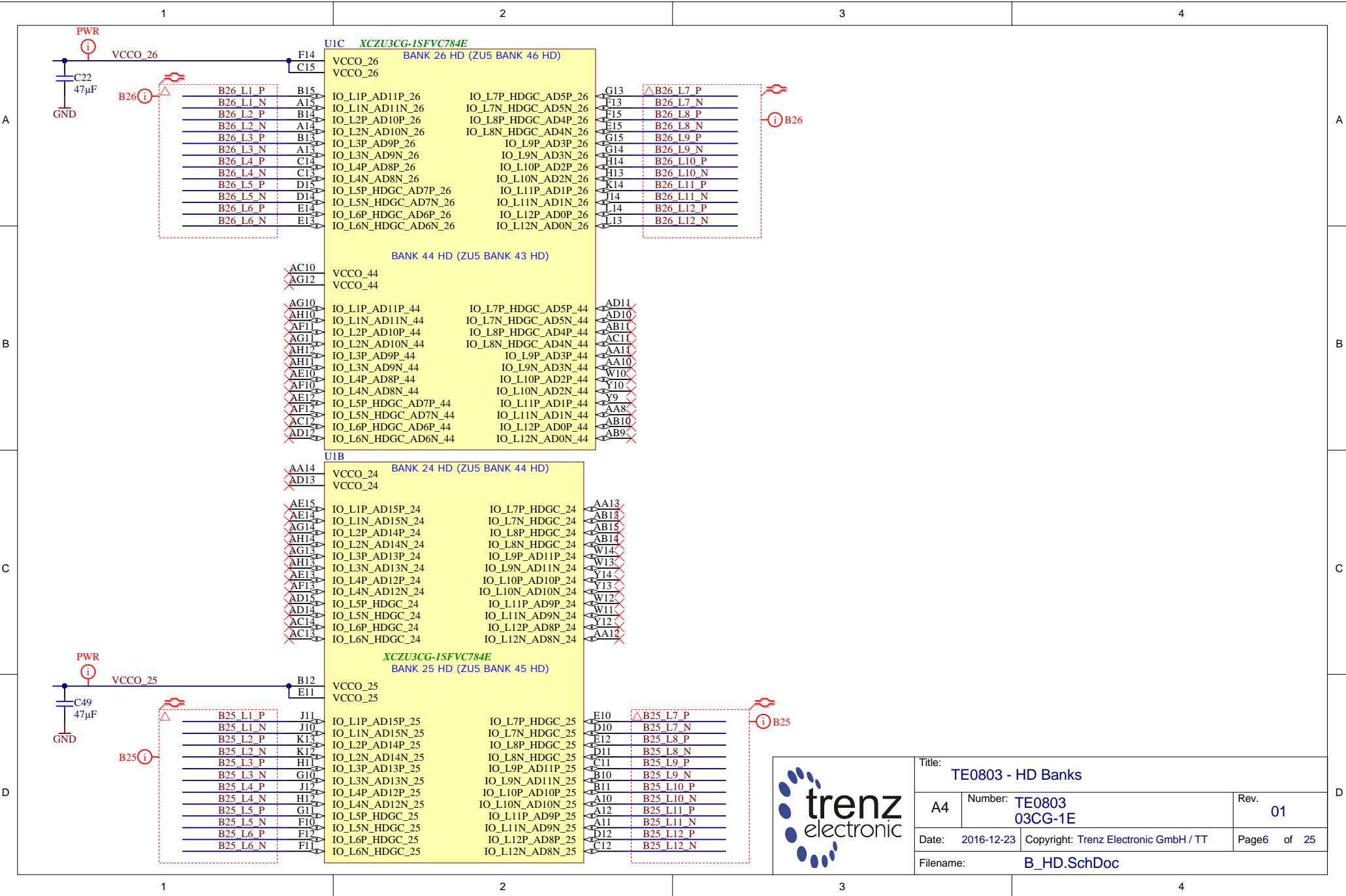
D

1

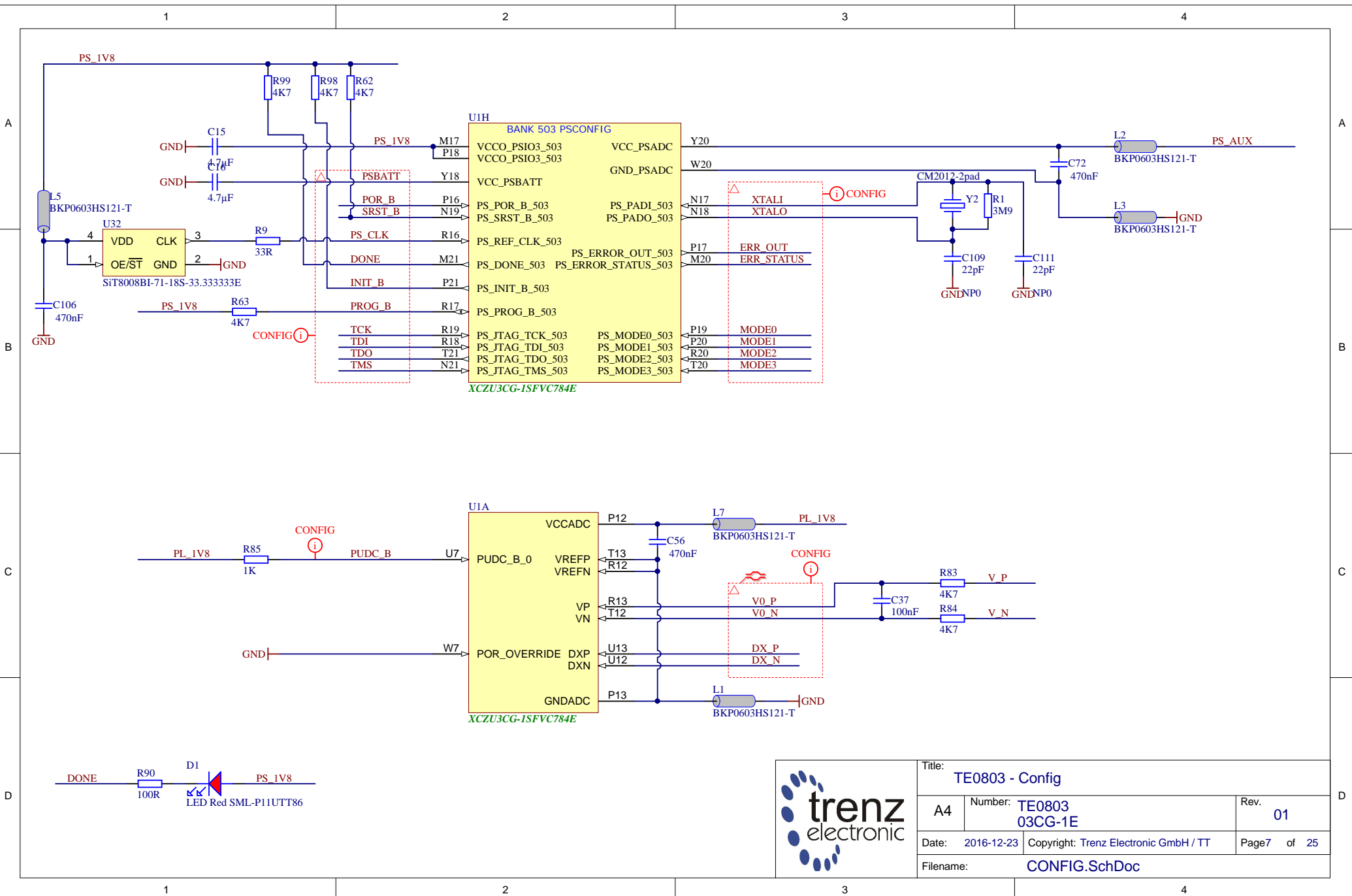
2

3

4



Title: TE0803 - HD Banks		
A4	Number: TE0803 03CG-1E	Rev. 01
Date: 2016-12-23	Copyright: Trenz Electronic GmbH / TT	Page6 of 25
Filename: B_HD.SchDoc		



Title: TE0803 - Config		
A4	Number: TE0803 03CG-1E	Rev. 01
Date: 2016-12-23	Copyright: Trenz Electronic GmbH / TT	Page7 of 25
Filename: CONFIG.SchDoc		

1

2

3

4

A

A

B

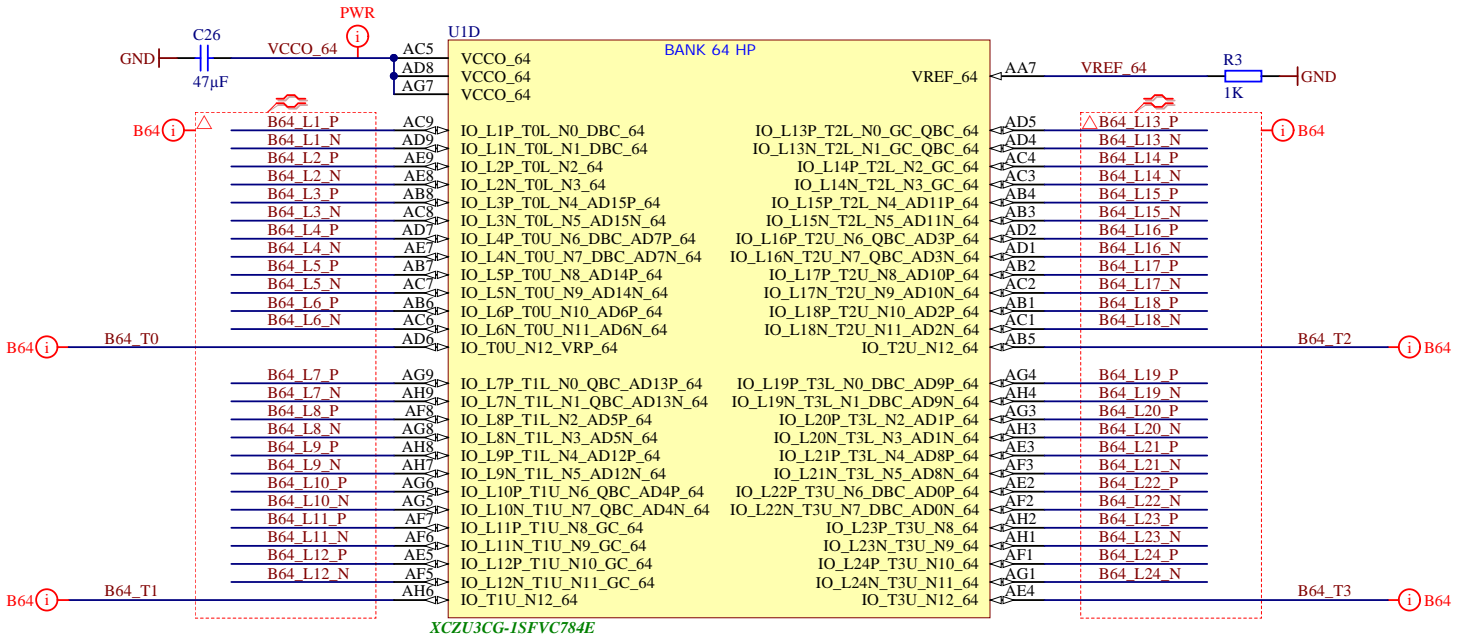
B

C

C

D

D



	Title: TE0803 - B64	
	A4	Number: TE0803 03CG-1E
	Date: 2016-12-23	Copyright: Trenz Electronic GmbH / TT
	Rev. 01	Page8 of 25
Filename: B64.SchDoc		

1

2

3

4



1

2

3

4

A

A

B

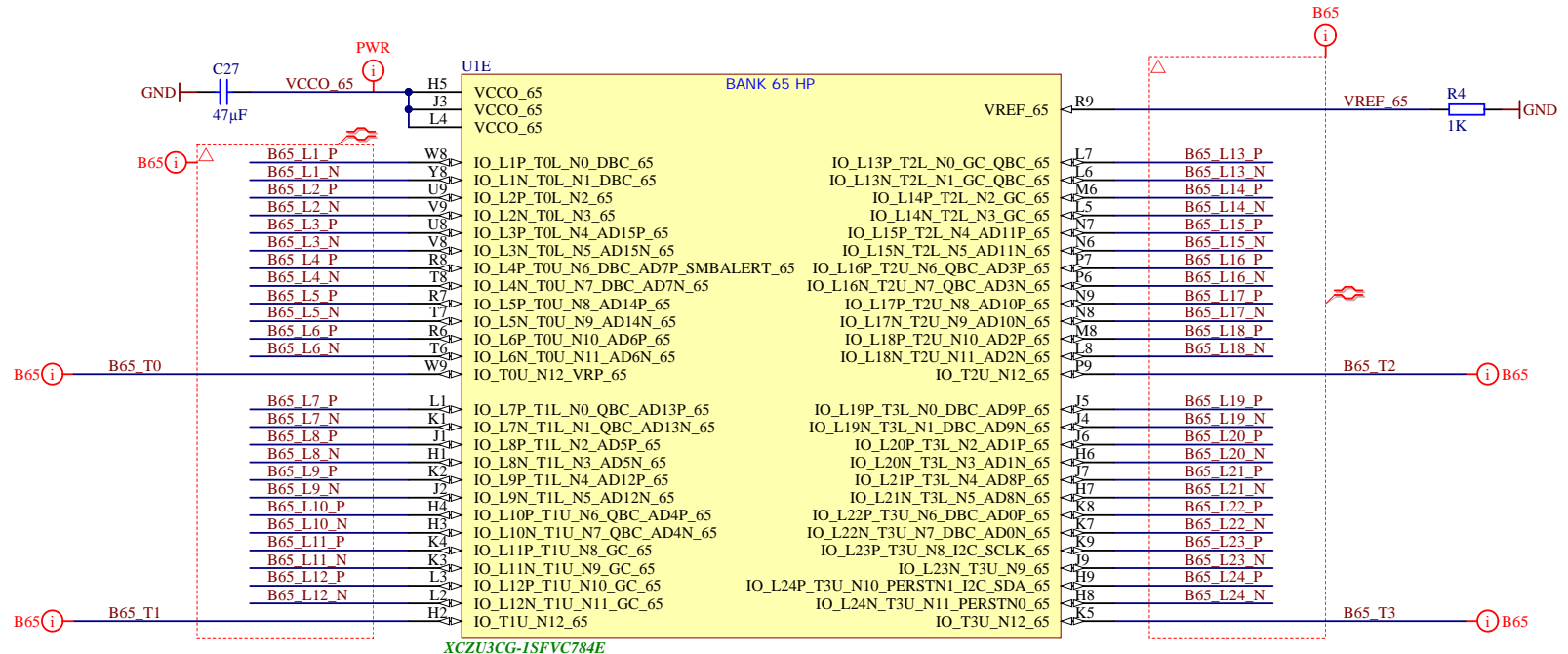
B

C

C

D

D



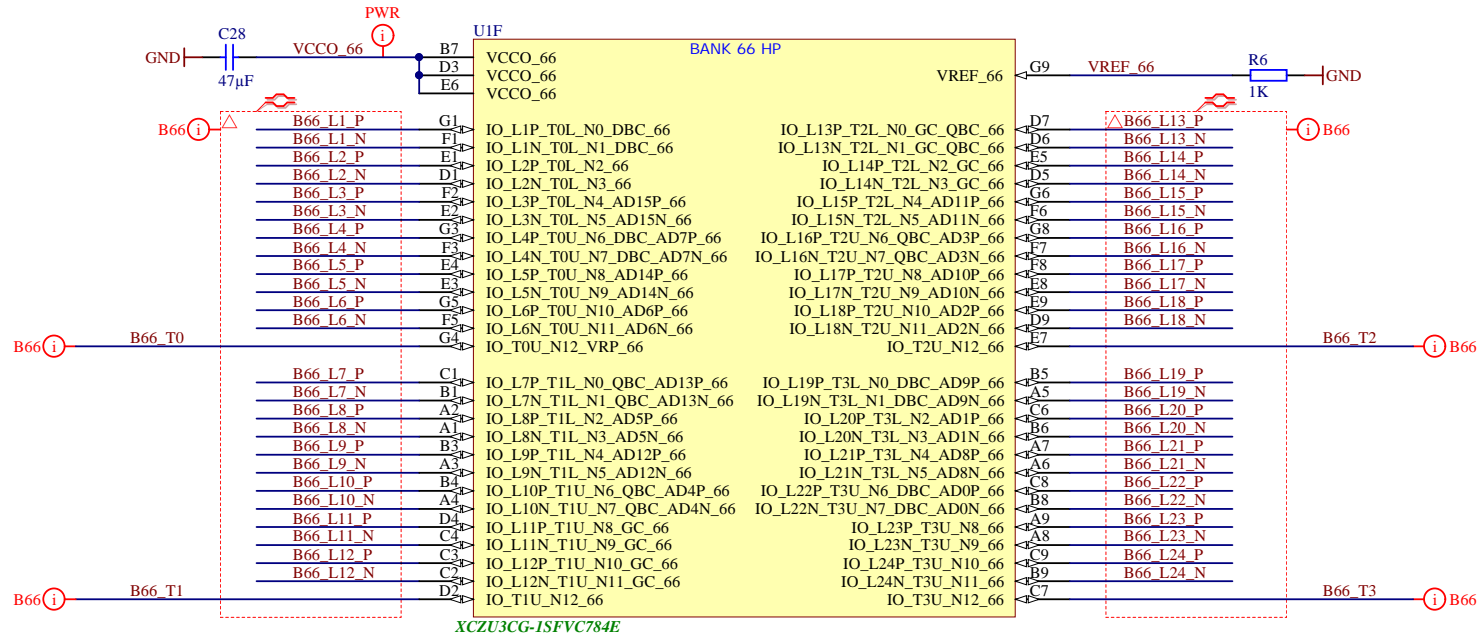
	Title: TE0803 - B65		
	A4	Number: TE0803 03CG-1E	Rev. 01
	Date: 2016-12-23	Copyright: Trenz Electronic GmbH / TT	Page9 of 25
	Filename: B65.SchDoc		

1

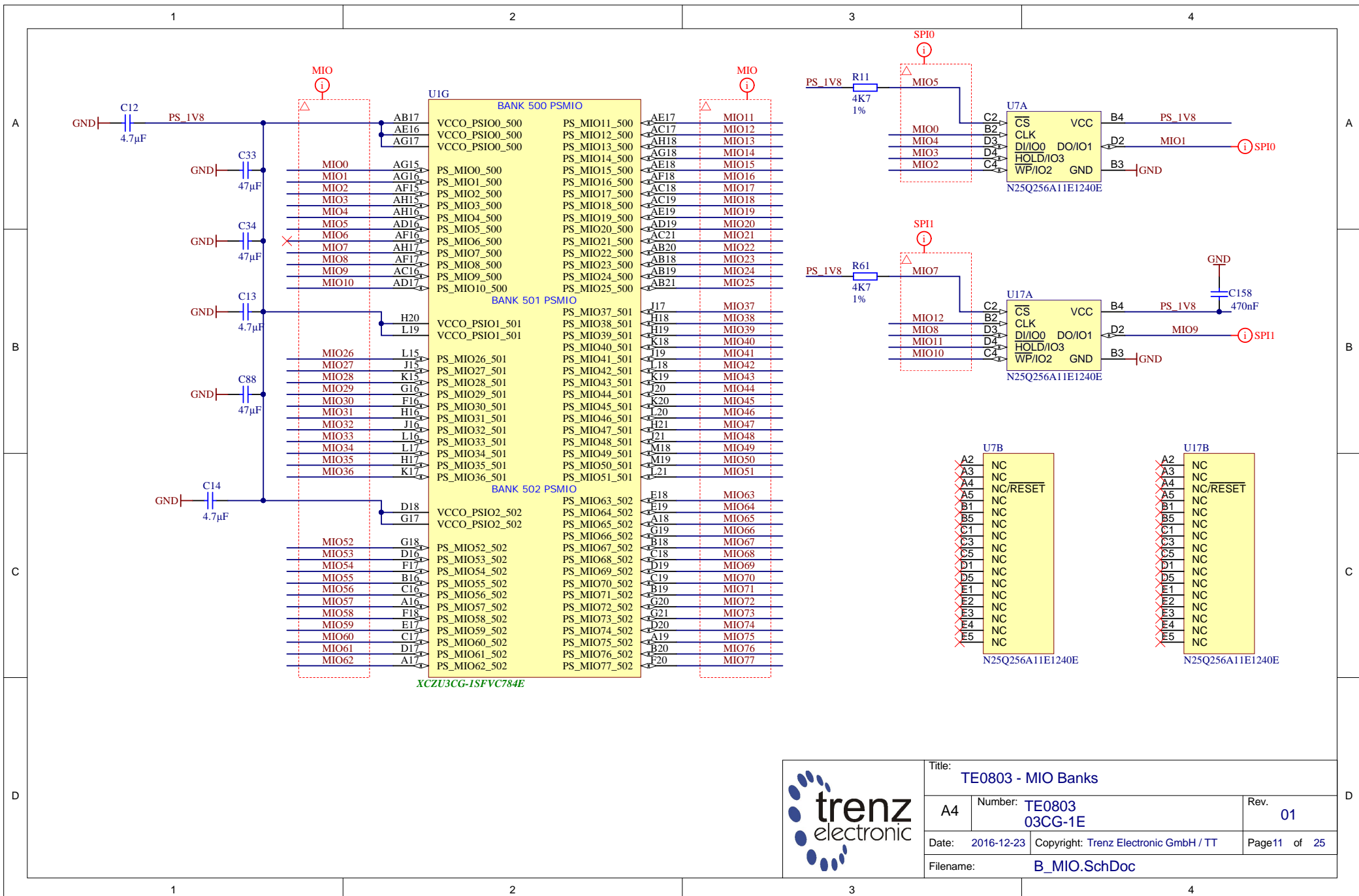
2

3

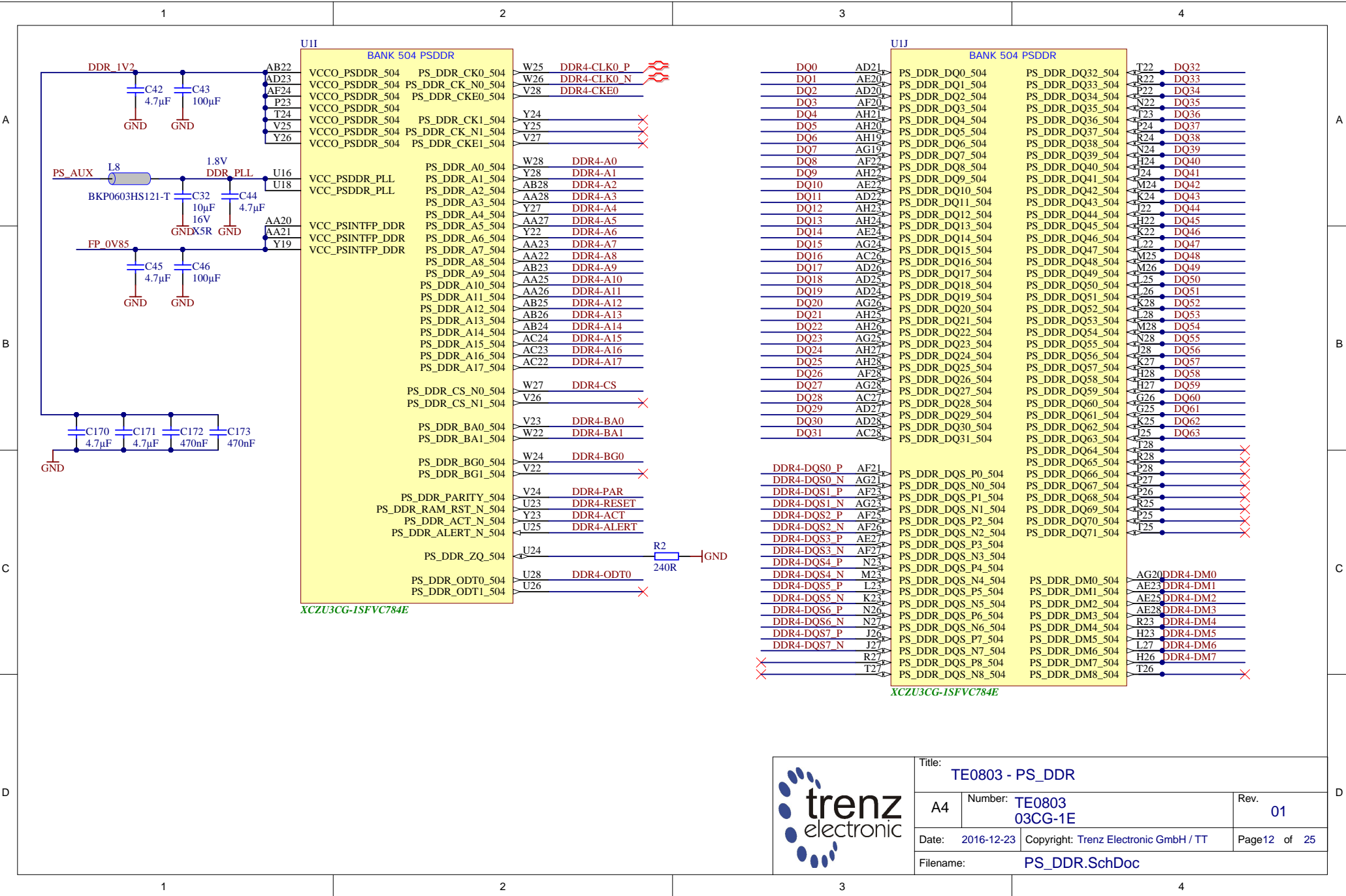
4



Title: TE0803 - B66		
A4	Number: TE0803 03CG-1E	Rev. 01
Date: 2016-12-23	Copyright: Trenz Electronic GmbH / TT	Page10 of 25
Filename: B66.SchDoc		

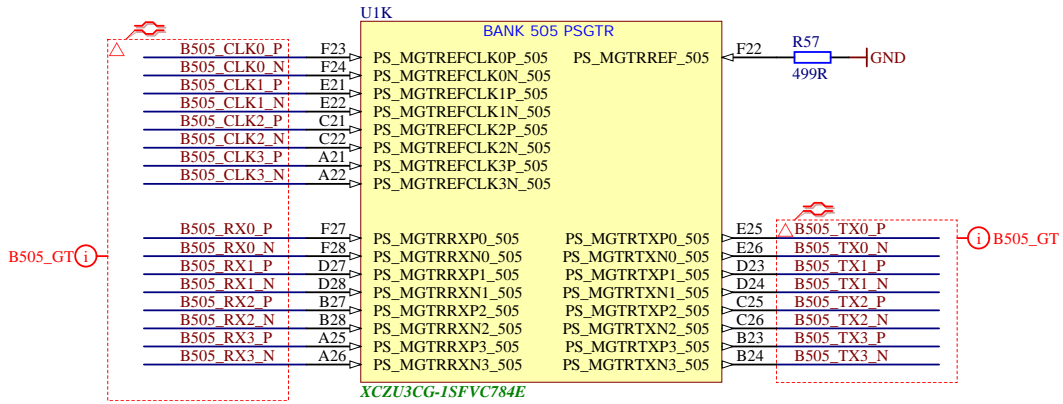



Title: TE0803 - MIO Banks		
A4	Number: TE0803 03CG-1E	Rev. 01
Date: 2016-12-23	Copyright: Trenz Electronic GmbH / TT	Page 11 of 25
Filename: B_MIO.SchDoc		



	Title: TE0803 - PS_DDR	
	A4	Number: TE0803 03CG-1E
	Date: 2016-12-23	Copyright: Trenz Electronic GmbH / TT
	Filename: PS_DDR.SchDoc	Rev. 01

Page 12 of 25



	Title: TE0803 - PS_GT		
	A4	Number: TE0803 03CG-1E	Rev. 01
	Date: 2016-12-23	Copyright: Trenz Electronic GmbH / TT	Page13 of 25
	Filename: B_PS_GT.SchDoc		

1

2

3

4

A

A

B

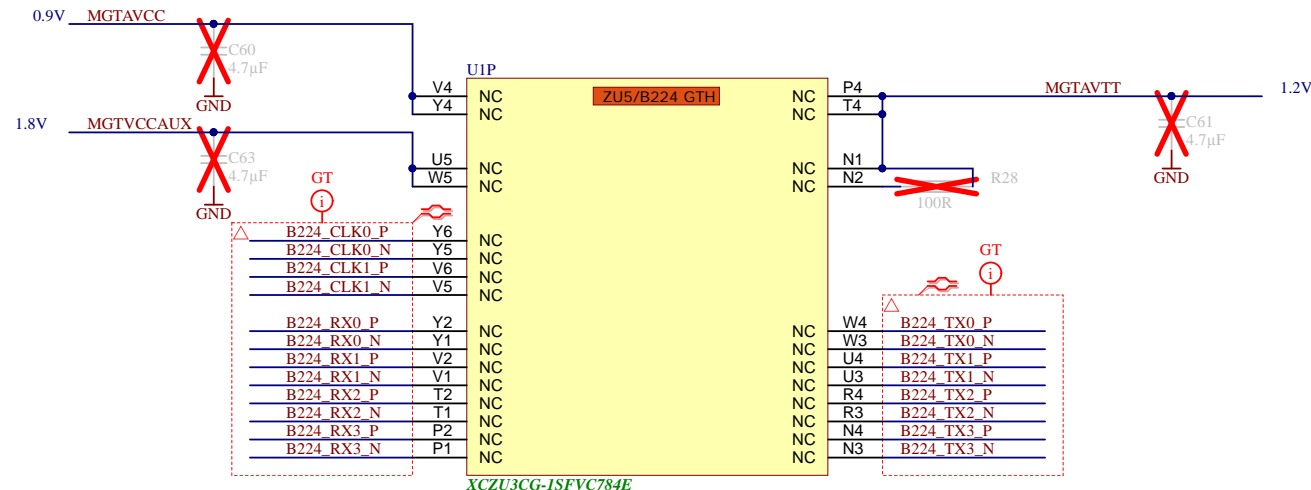
B

C

C

D

D



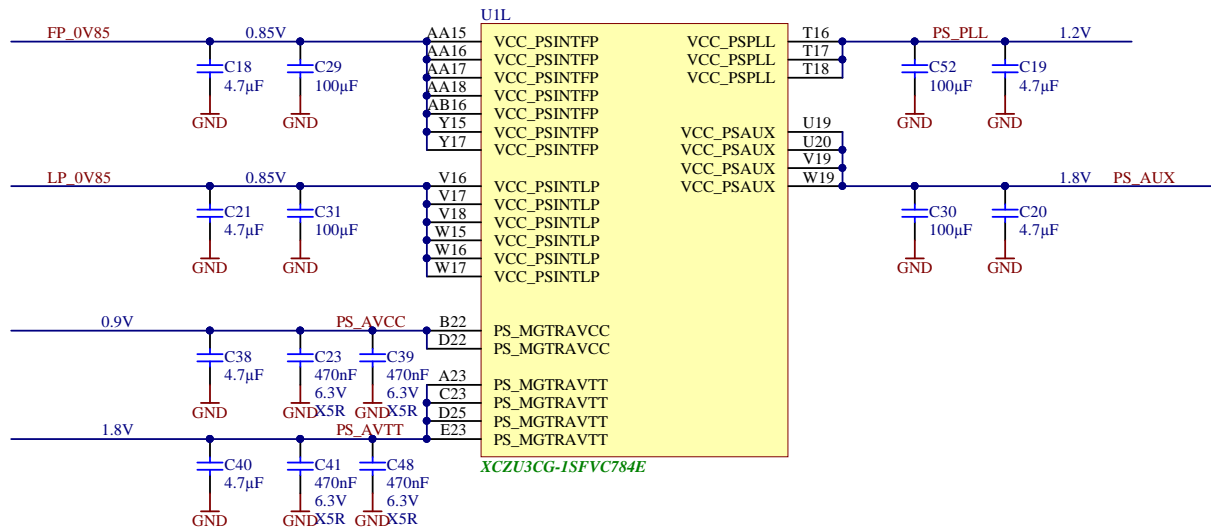
Title: TE0803 - B224GTH		
A4	Number: TE0803 03CG-1E	Rev. 01
Date: 2016-12-23	Copyright: Trenz Electronic GmbH / TT	Page 14 of 25
Filename: B_GT.SchDoc		

1

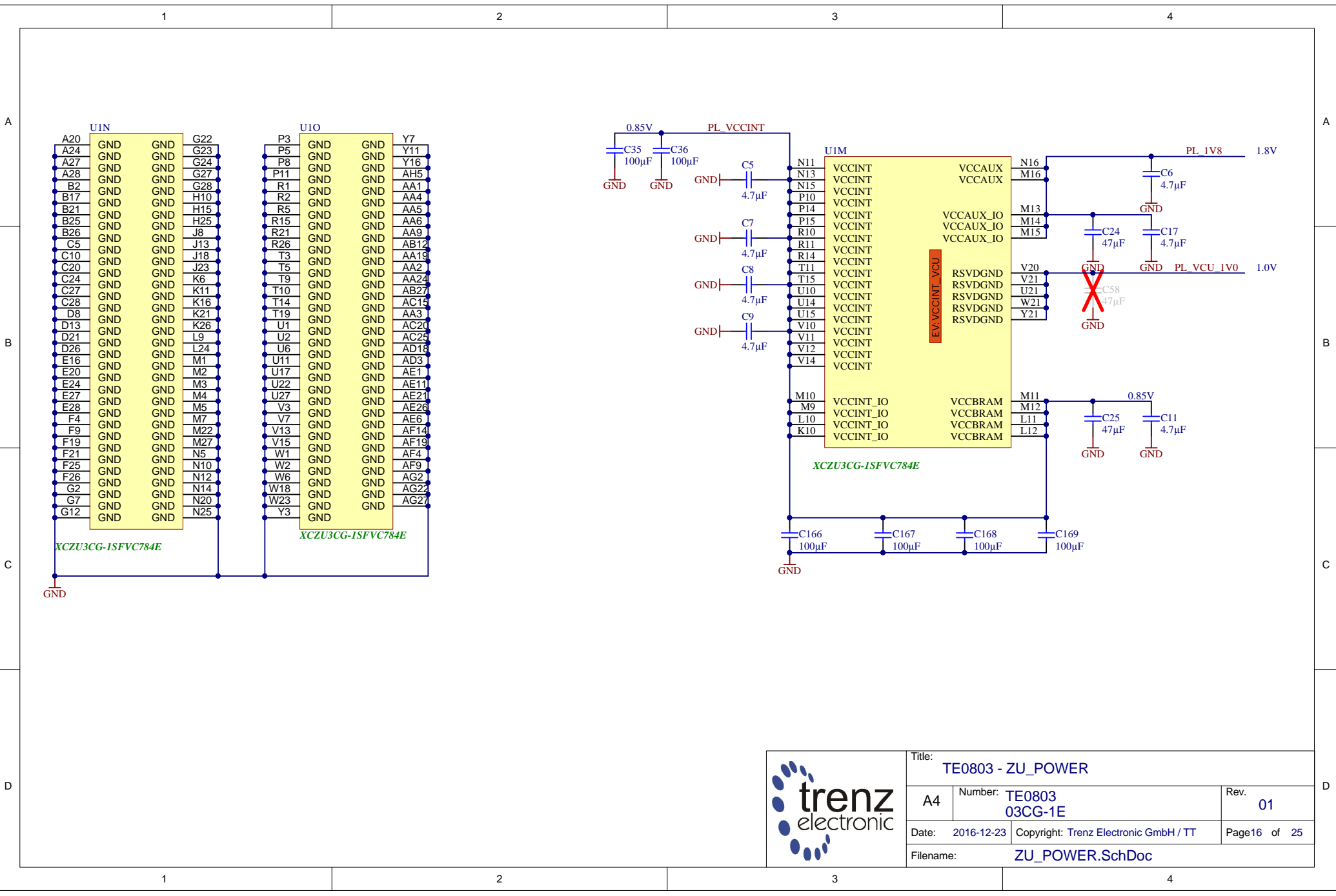
2

3

4



Title: TE0803 - ZU_PS_POWER		
A4	Number: TE0803 03CG-1E	Rev. 01
Date: 2016-12-23	Copyright: Trenz Electronic GmbH / TT	Page 15 of 25
Filename: ZU_PS_POWER.SchDoc		



	Title: TE0803 - ZU_POWER		
	A4	Number: TE0803 03CG-1E	Rev. 01
	Date: 2016-12-23	Copyright: Trenz Electronic GmbH / TT	Page 16 of 25
	Filename: ZU_POWER.SchDoc		



1

2

3

4

A

A

B

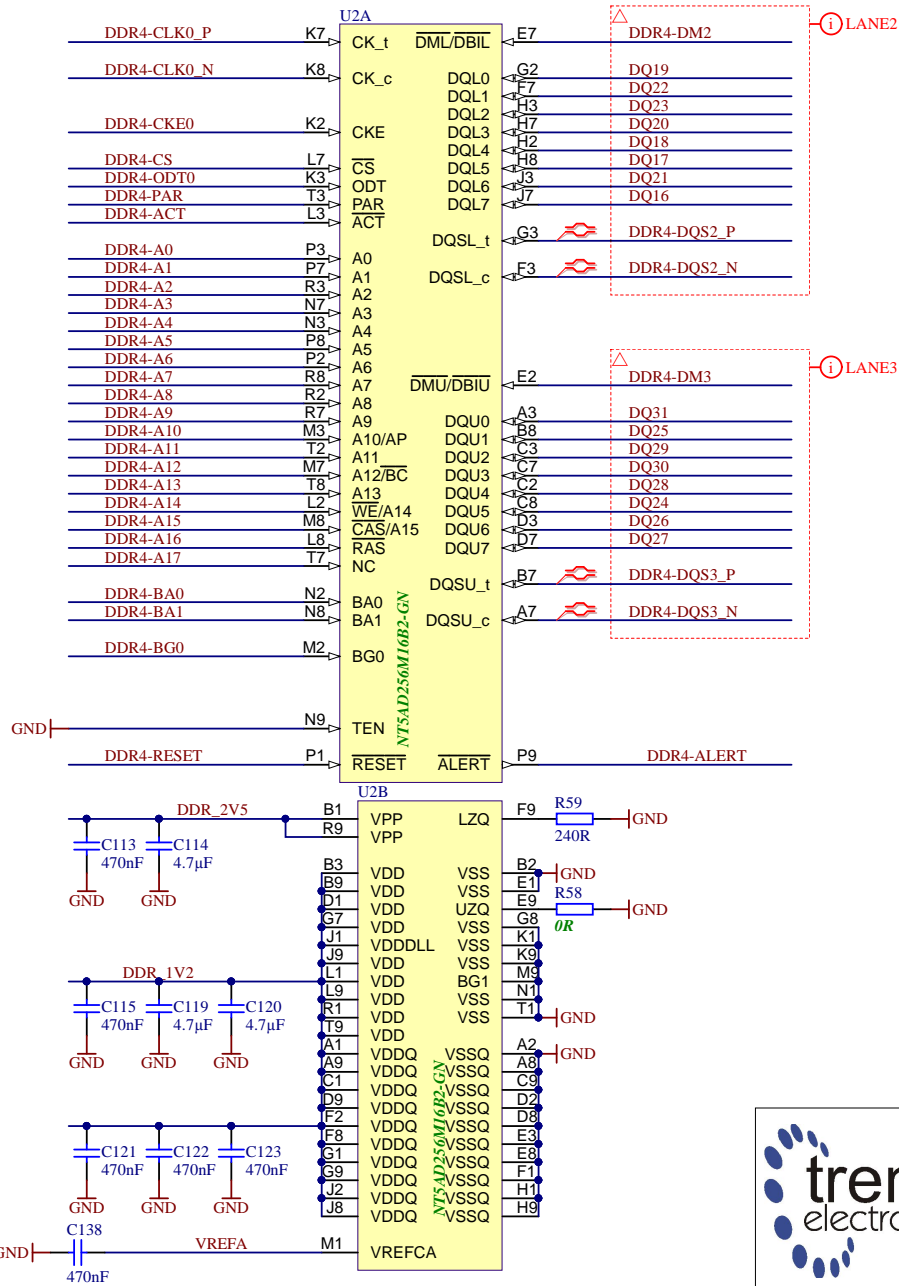
B

C

C

D

D



Title: TE0803 - DDR4_1_RAM		
A4	Number: TE0803 03CG-1E	Rev. 01
Date: 2016-12-23	Copyright: Trenz Electronic GmbH / TT	Page 17 of 25
Filename: DDR4-RAM.SchDoc		

1

2

3

4

1

2

3

4

A

A

B

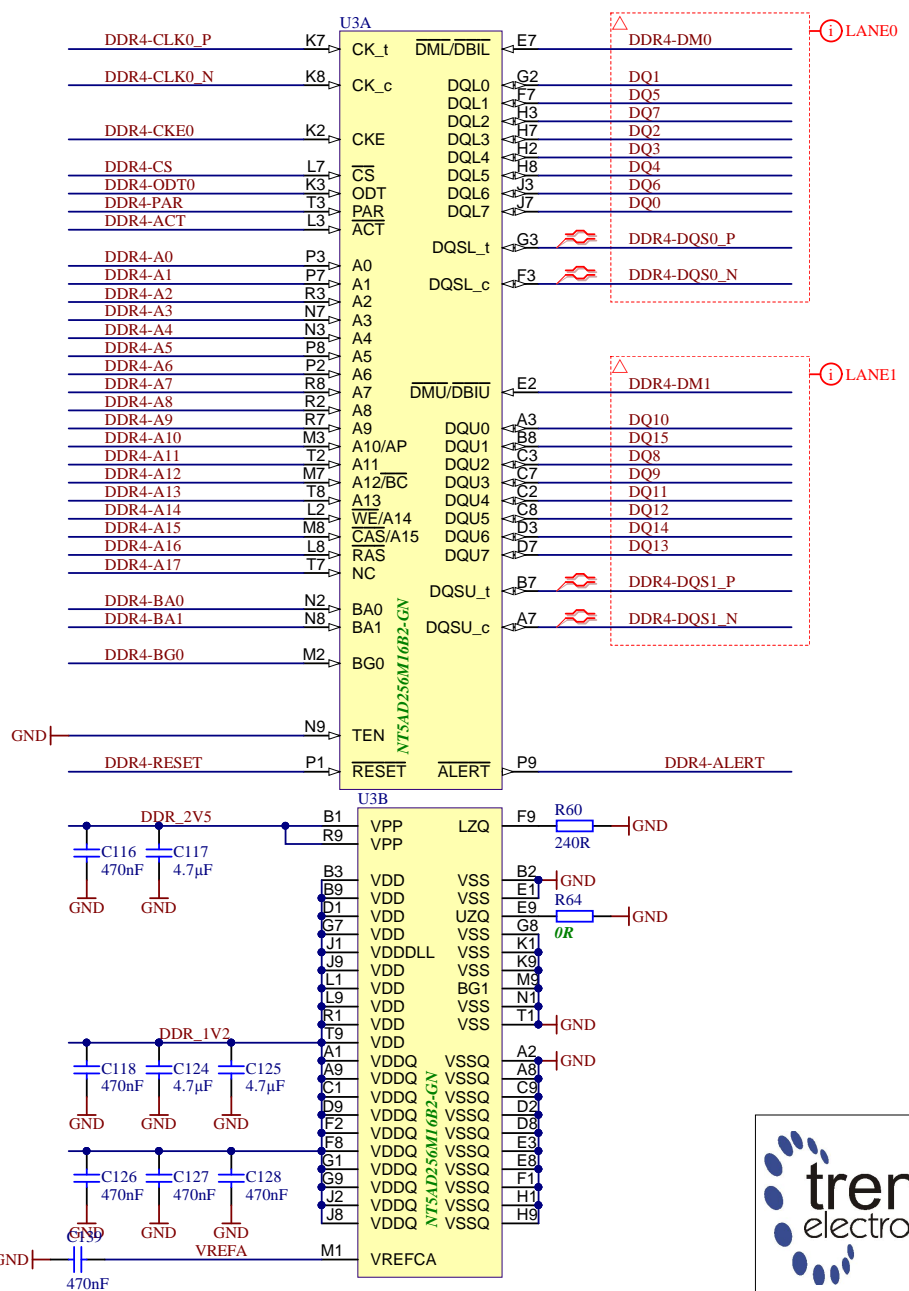

B

C

C

D

D

Title: TE0803 - DDR4_2_RAM		
A4	Number: TE0803 03CG-1E	Rev. 01
Date: 2016-12-23	Copyright: Trenz Electronic GmbH / TT	Page 18 of 25
Filename: DDR4-RAM_2.SchDoc		

1

2

3

4

1

2

3

4

A

A

B

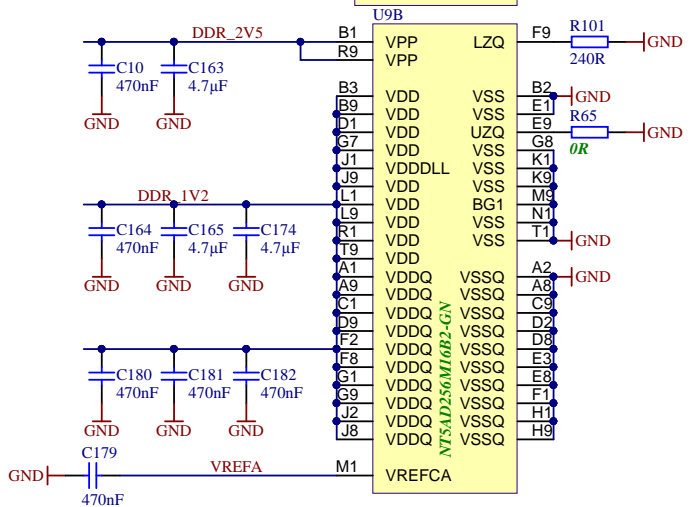
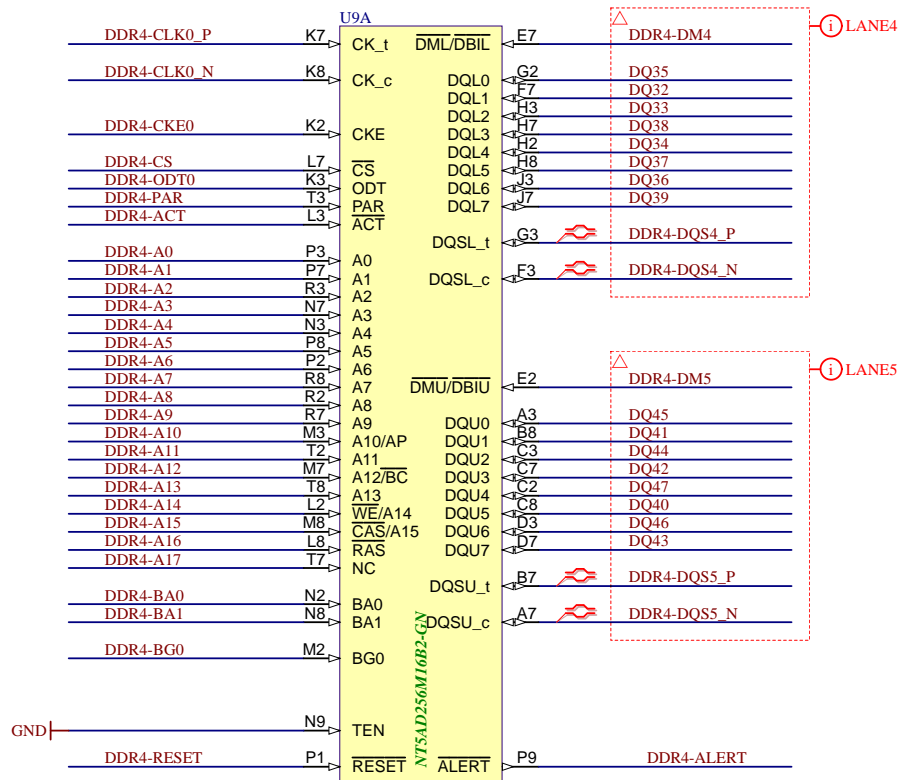
B

C

C

D

D



Title: TE0803 - DDR4_3_RAM		
A4	Number: TE0803 03CG-1E	Rev. 01
Date: 2016-12-23	Copyright: Trenz Electronic GmbH / TT	Page19 of 25
Filename: DDR4-RAM_3.SchDoc		

1

2

3

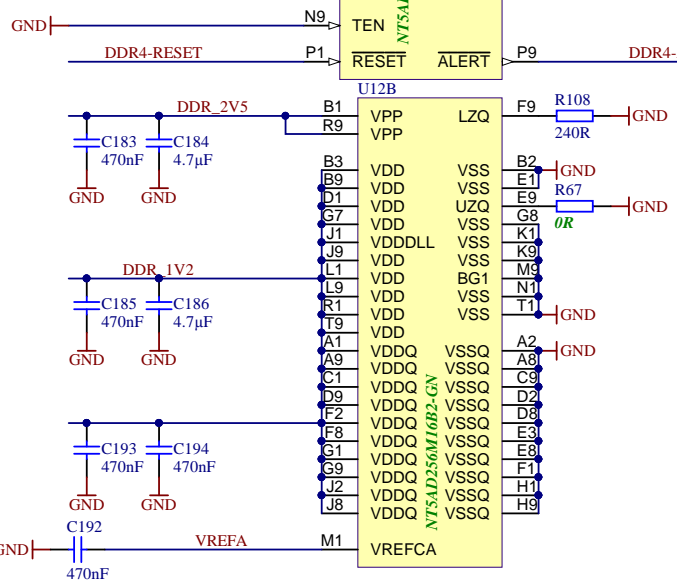
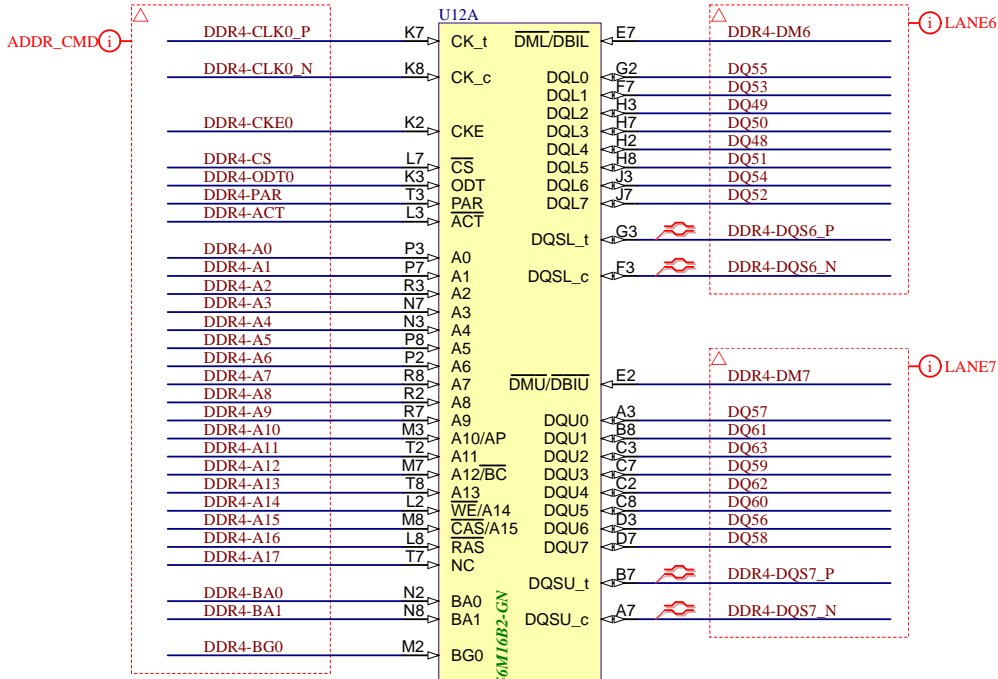
4

1

2

3

4



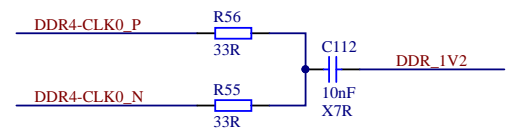
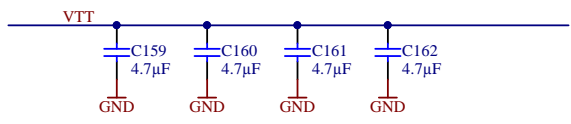
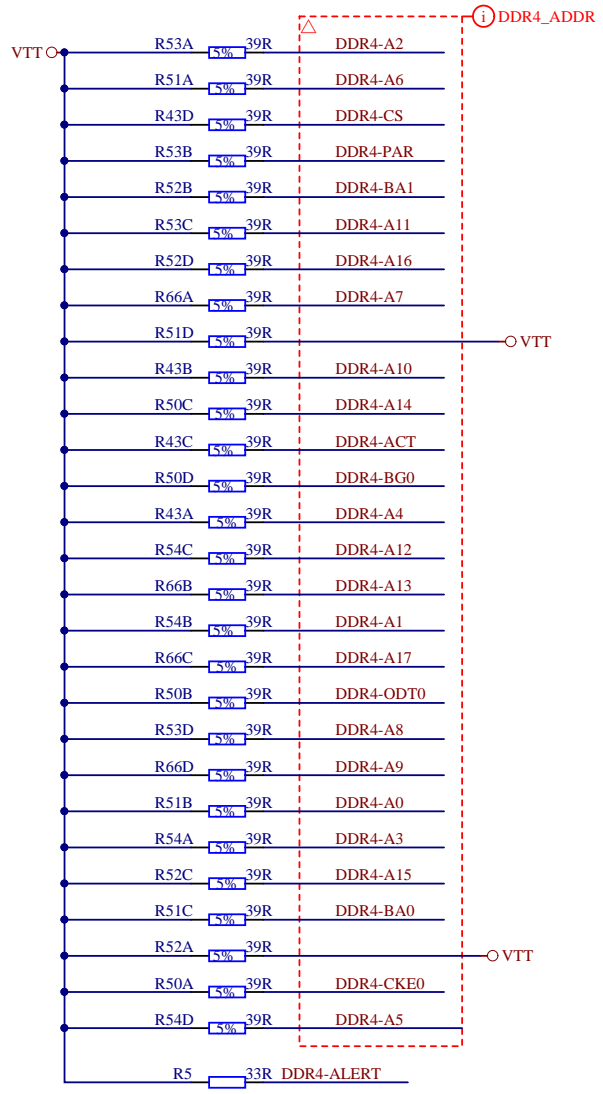
Title: TE0803 - DDR4_4_RAM		
A4	Number: TE0803 03CG-1E	Rev. 01
Date: 2016-12-23	Copyright: Trenz Electronic GmbH / TT	Page20 of 25
Filename: DDR4-RAM_4.SchDoc		

1

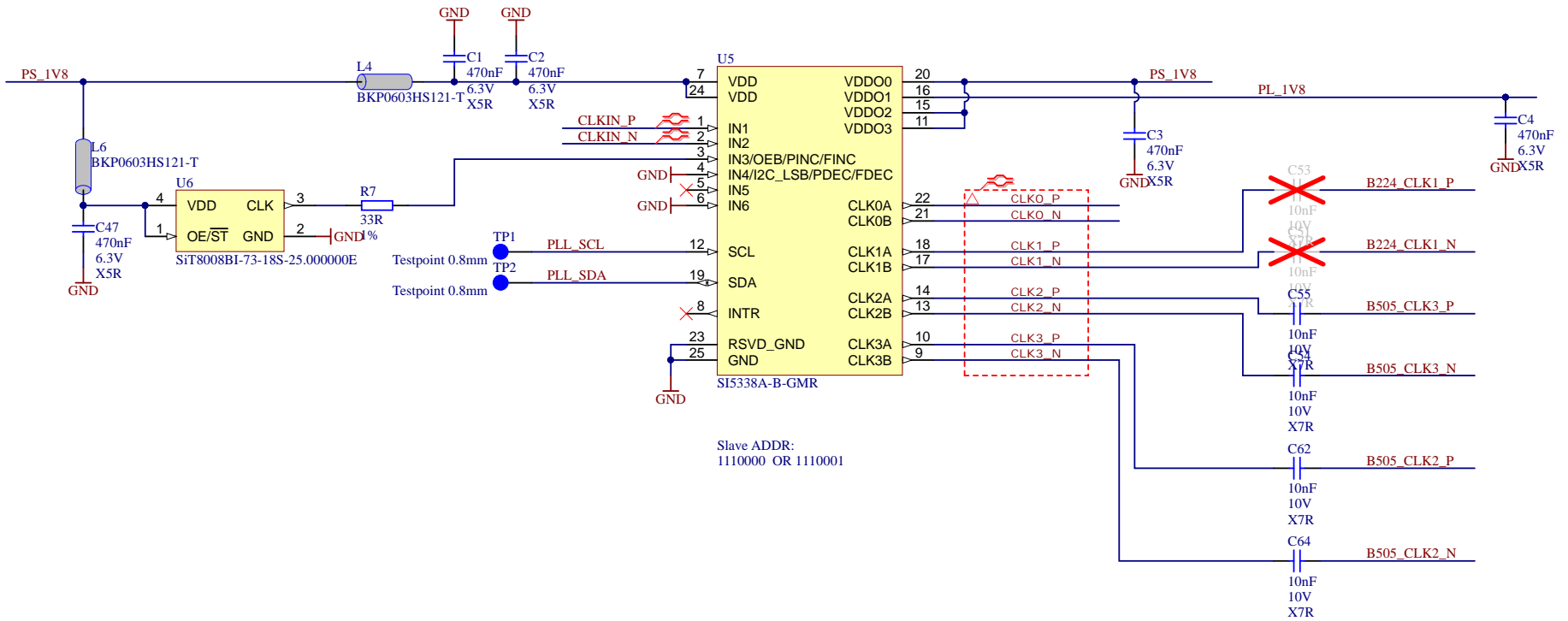
2

3

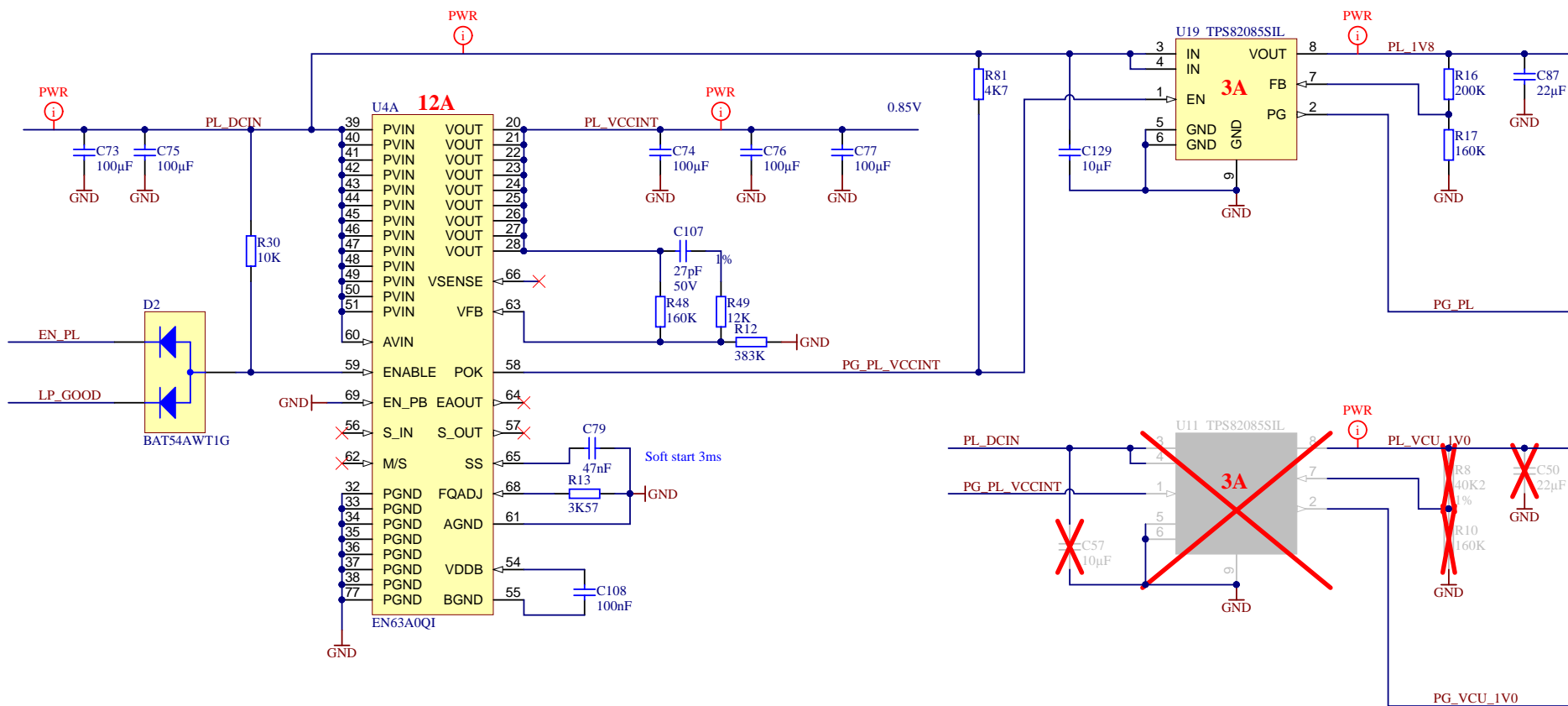
4



Title: TE0803 - DDR4_TERM		
A4	Number: TE0803 03CG-1E	Rev. 01
Date: 2016-12-23	Copyright: Trenz Electronic GmbH / TT	Page21 of 25
Filename: DDR4-TERM.SchDoc		



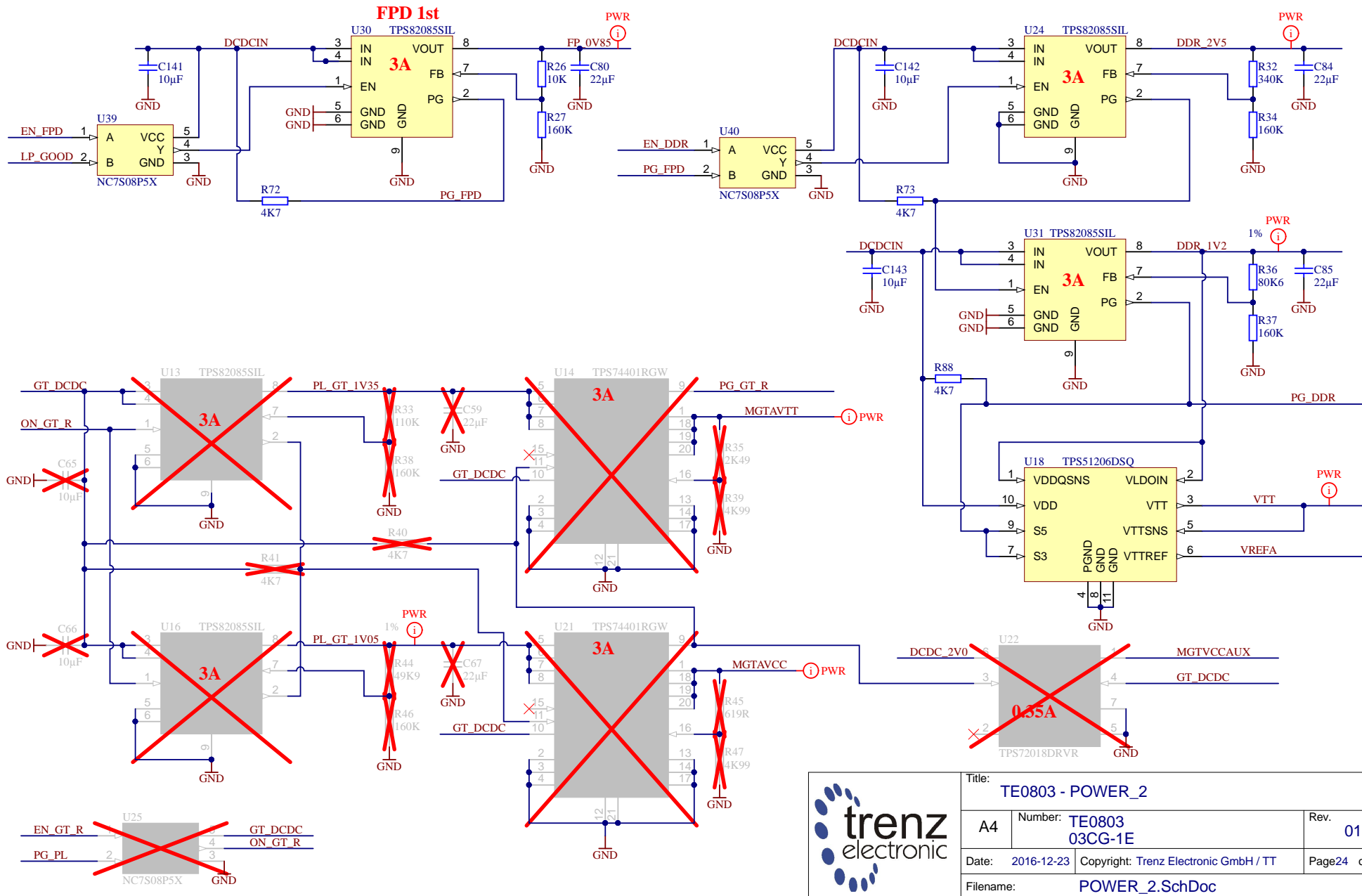
Title: TE0803 - CLOCK		
A4	Number: TE0803 03CG-1E	Rev. 01
Date: 2016-12-23	Copyright: Trenz Electronic GmbH / TT	Page22 of 25
Filename: Clock.SchDoc		




U4B  
EN63A0QI

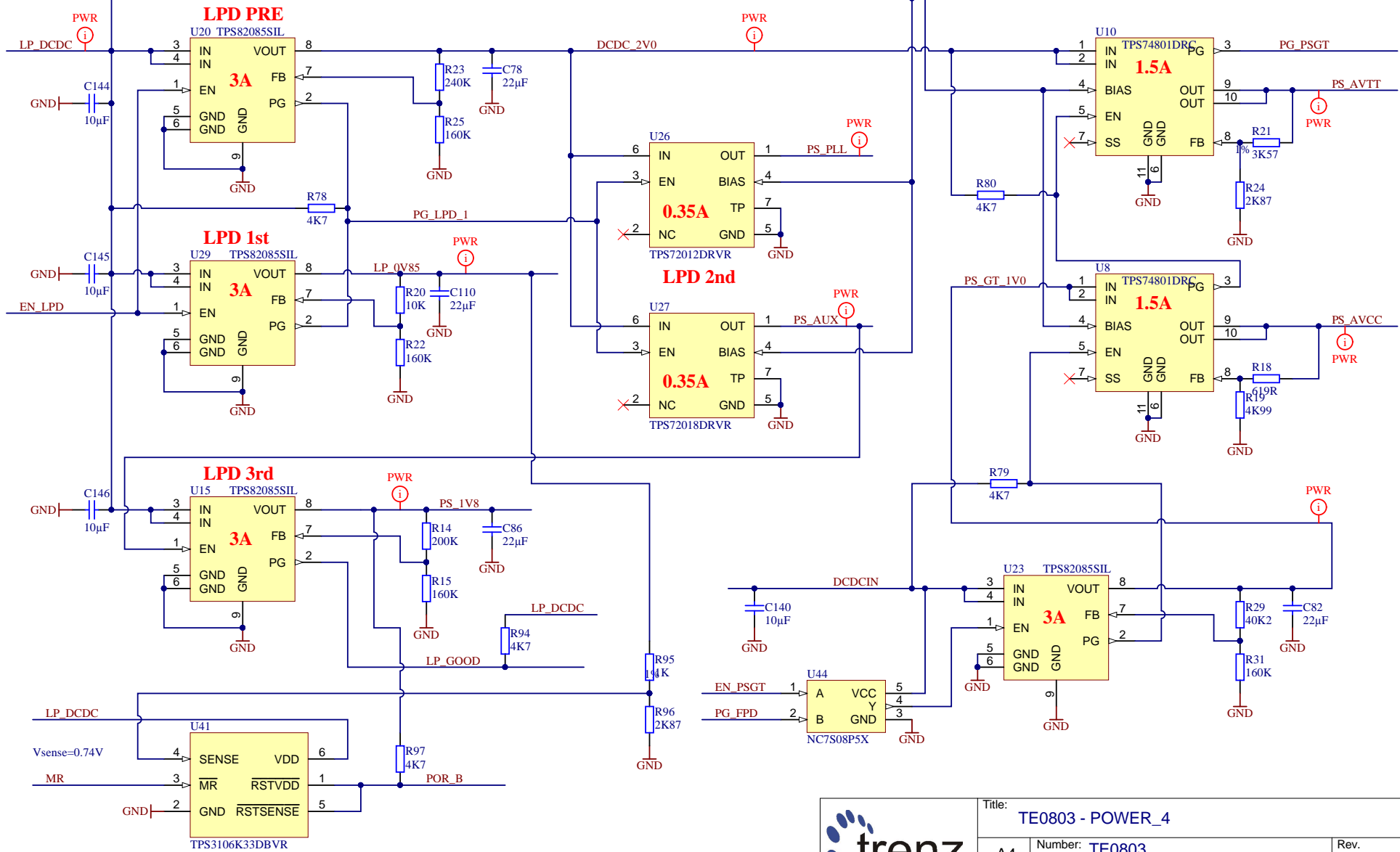
1	NC	NC	17
2	NC	NC	18
3	NC	NC	19
4	NC	NC	29
5	NC	NC	30
6	NC	NC(SW)	31
7	NC	NC(SW)	52
8	NC	NC	53
9	NC	NC	67
10	NC	NC(SW)	70
11	NC	NC(SW)	71
12	NC	NC(SW)	72
13	NC	NC	73
14	NC	NC	74
15	NC	NC	75
16	NC	NC	76

	Title: TE0803 - POWER		
	A4	Number: TE0803 03CG-1E	Rev. 01
	Date: 2016-12-23	Copyright: Trenz Electronic GmbH / TT	Page23 of 25
	Filename: POWER.SchDoc		



			Title: TE0803 - POWER_2	
			A4	Number: TE0803 03CG-1E
Date: 2016-12-23		Copyright: Trenz Electronic GmbH / TT		Page24 of 25
Filename: POWER_2.SchDoc				





Title: TE0803 - POWER_4		
A4	Number: TE0803 03CG-1E	Rev. 01
Date: 2016-12-23	Copyright: Trenz Electronic GmbH / TT	Page25 of 25
Filename: POWER_4.SchDoc		