

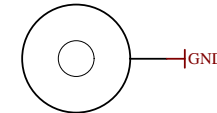
1

2

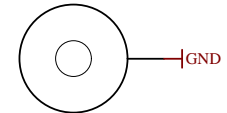
3

4

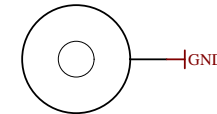
U_J1 J1.SchDoc	U_B_PS_GT B_PS_GT.SchDoc	U_DDR4-TERM DDR4-TERM.SchDoc
U_J2 J2.SchDoc	U_PS_DDR PS_DDR.SchDoc	U_ZU_POWER ZU_POWER.SchDoc
U_J3 J3.SchDoc	U_B_MIO B_MIO.SchDoc	U_ZU_PS_POWER ZU_PS_POWER.SchDoc
U_J4 J4.SchDoc	U_B_HD B_HD.SchDoc	U_POWER POWER.SchDoc
U_DDR4-TERM DDR4-TERM.SchDoc	U_Clock Clock.SchDoc	U_POWER_2 POWER_2.SchDoc
U_B64 B64.SchDoc	U_CONFIG CONFIG.SchDoc	
U_B65 B65.SchDoc	U_DDR4-RAM DDR4-RAM.SchDoc	U_POWER_4 POWER_4.SchDoc
U_B66 B66.SchDoc	U_DDR4-RAM_2 DDR4-RAM_2.SchDoc	U_REV_CH Revision_Changes.SchDoc
U_B_GT B_GT.SchDoc	U_DDR4-RAM_3 DDR4-RAM_3.SchDoc	
	U_DDR4-RAM_4 DDR4-RAM_4.SchDoc	



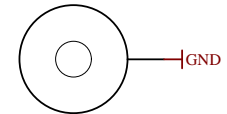
Mount.Hole 3.2mm für Unterlegscheibe



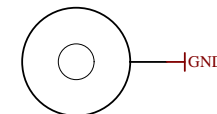
Mount.Hole 3.2mm für Unterlegscheibe



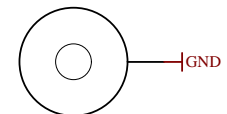
Mount.Hole 3.2mm für Unterlegscheibe



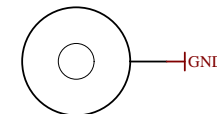
Mount.Hole 3.2mm für Unterlegscheibe



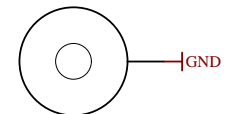
Mount.Hole 3.2mm für Unterlegscheibe



Mount.Hole 3.2mm für Unterlegscheibe



Mount.Hole 3.2mm für Unterlegscheibe



Mount.Hole 3.2mm für Unterlegscheibe

FIDU-DOT - small



PM1 FIDU-DOT - small



PM3 FIDU-DOT - small



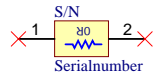
PM5

LOGO1

TE Logo PRINT Layer

LOGO PRINT

Serial
Serial
Serialnumber 6,3 x 6.3mm



Title: TE0803		
A4	Number: TE0803 04EG-1E	Rev. 01
Date: 2016-12-23	Copyright: Trenz Electronic GmbH / TT	Page1 of 26
Filename: TE0803.SchDoc		

1

2

3

4

A

A

B

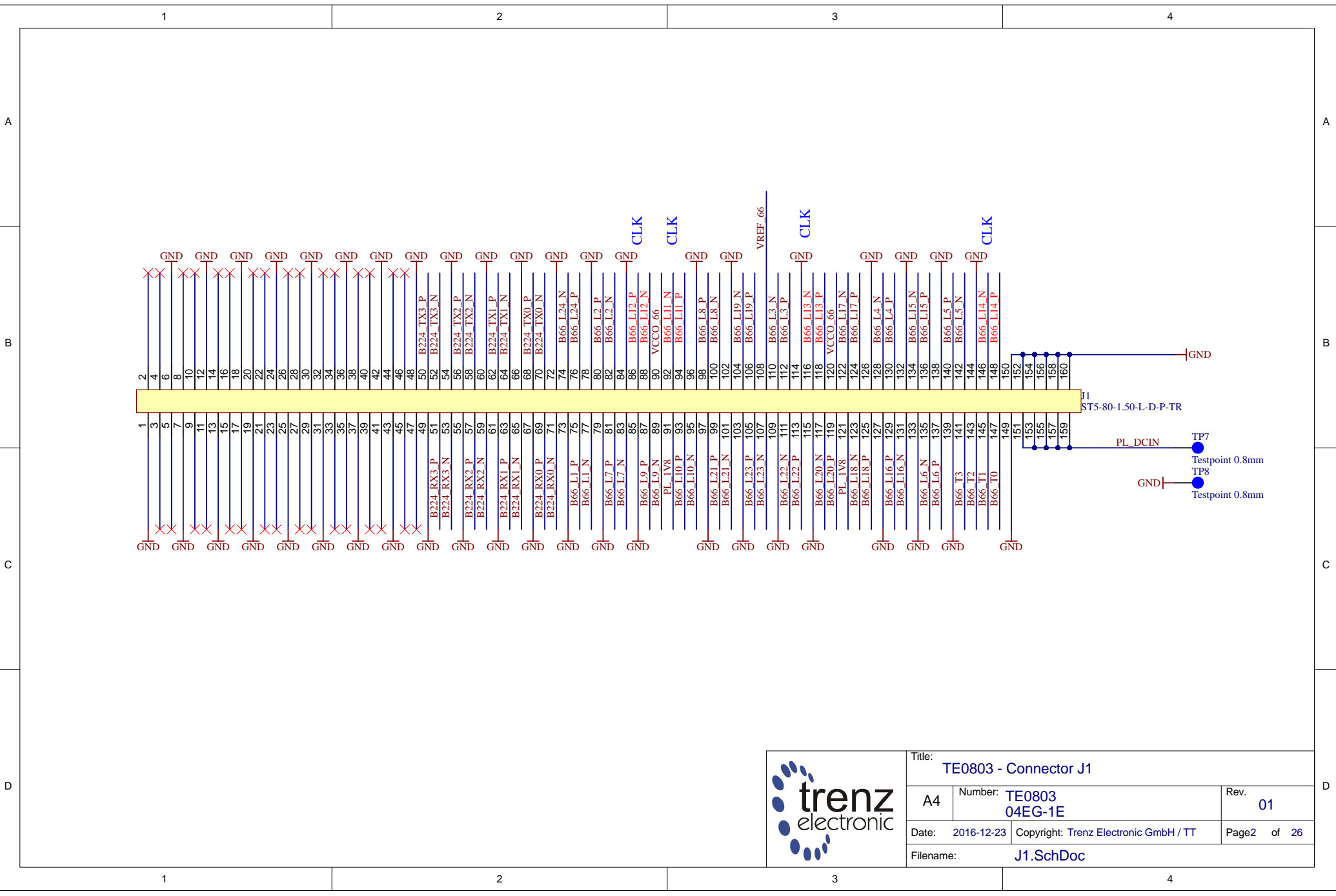
B

C

C

D

D



Title: TE0803 - Connector J1		
A4	Number: TE0803 04EG-1E	Rev. 01
Date: 2016-12-23	Copyright: Trenz Electronic GmbH / TT	Page2 of 26
Filename: J1.SchDoc		

1

2

3

4

A

A

B

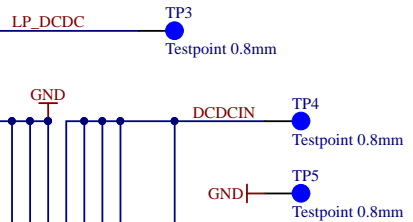
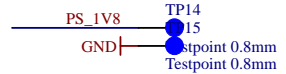
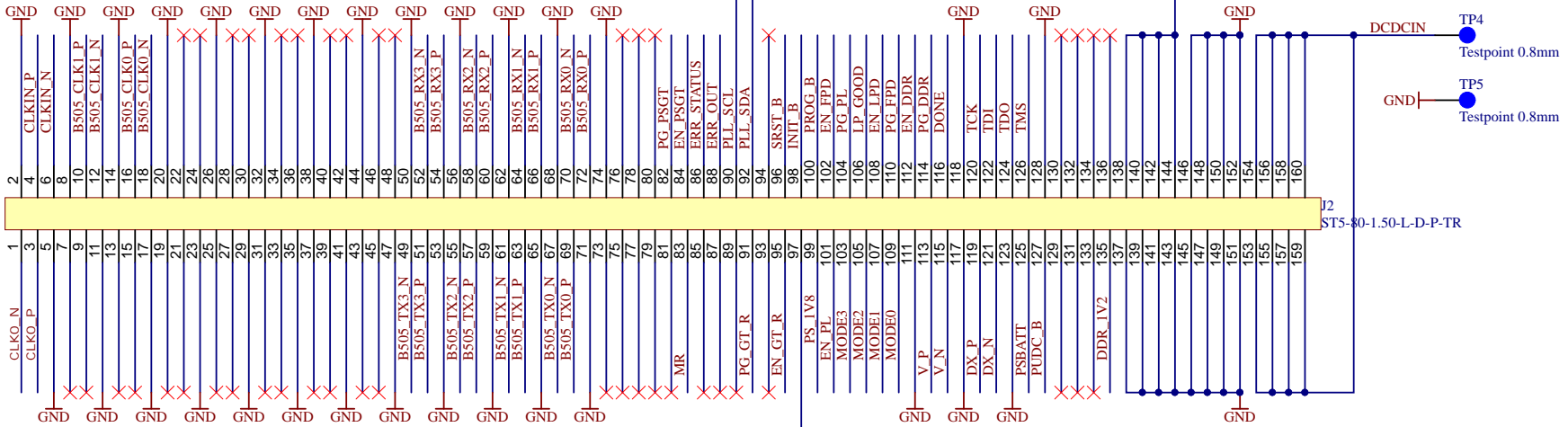
B

C

C

D

D



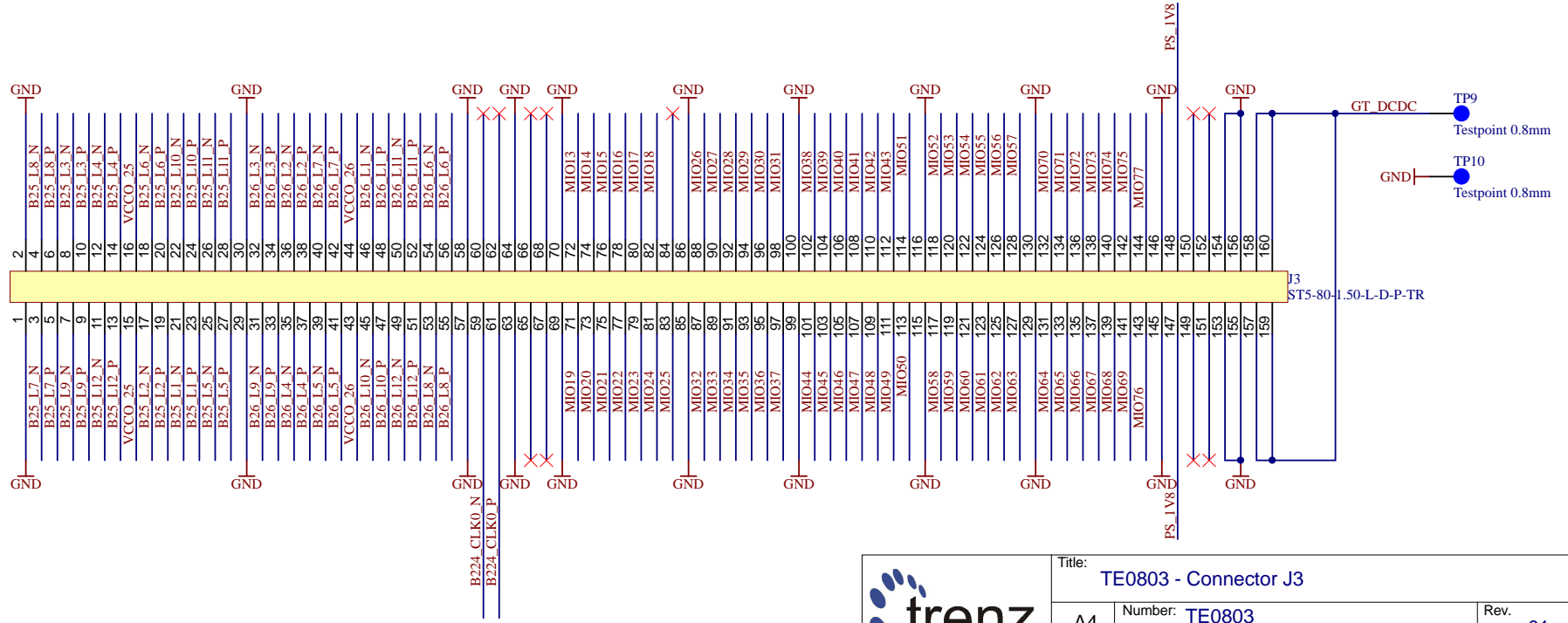
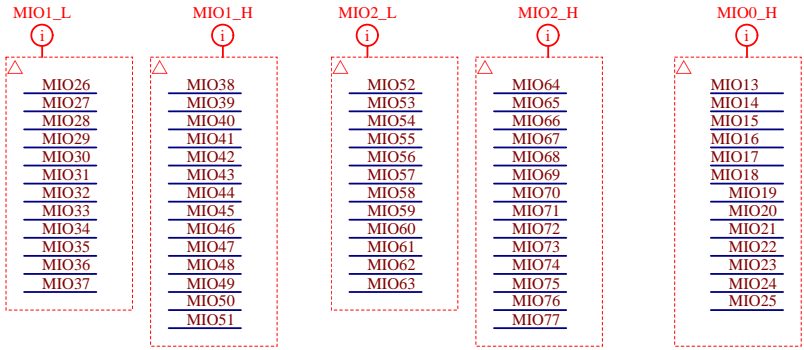
Title: TE0803 - Connector J2		
A4	Number: TE0803 04EG-1E	Rev. 01
Date: 2016-12-23	Copyright: Trenz Electronic GmbH / TT	Page3 of 26
Filename: J2.SchDoc		

1

2

3

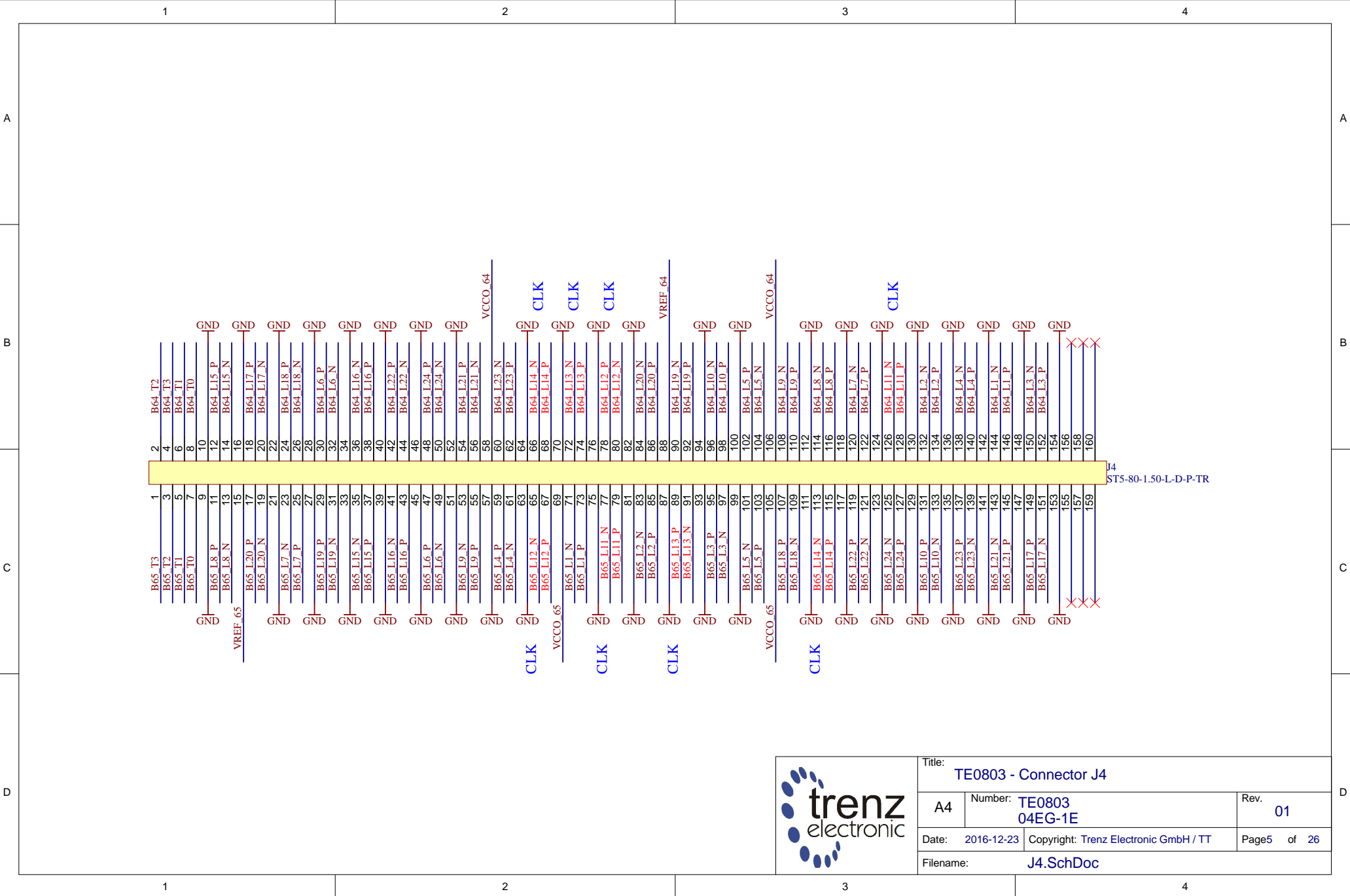
4



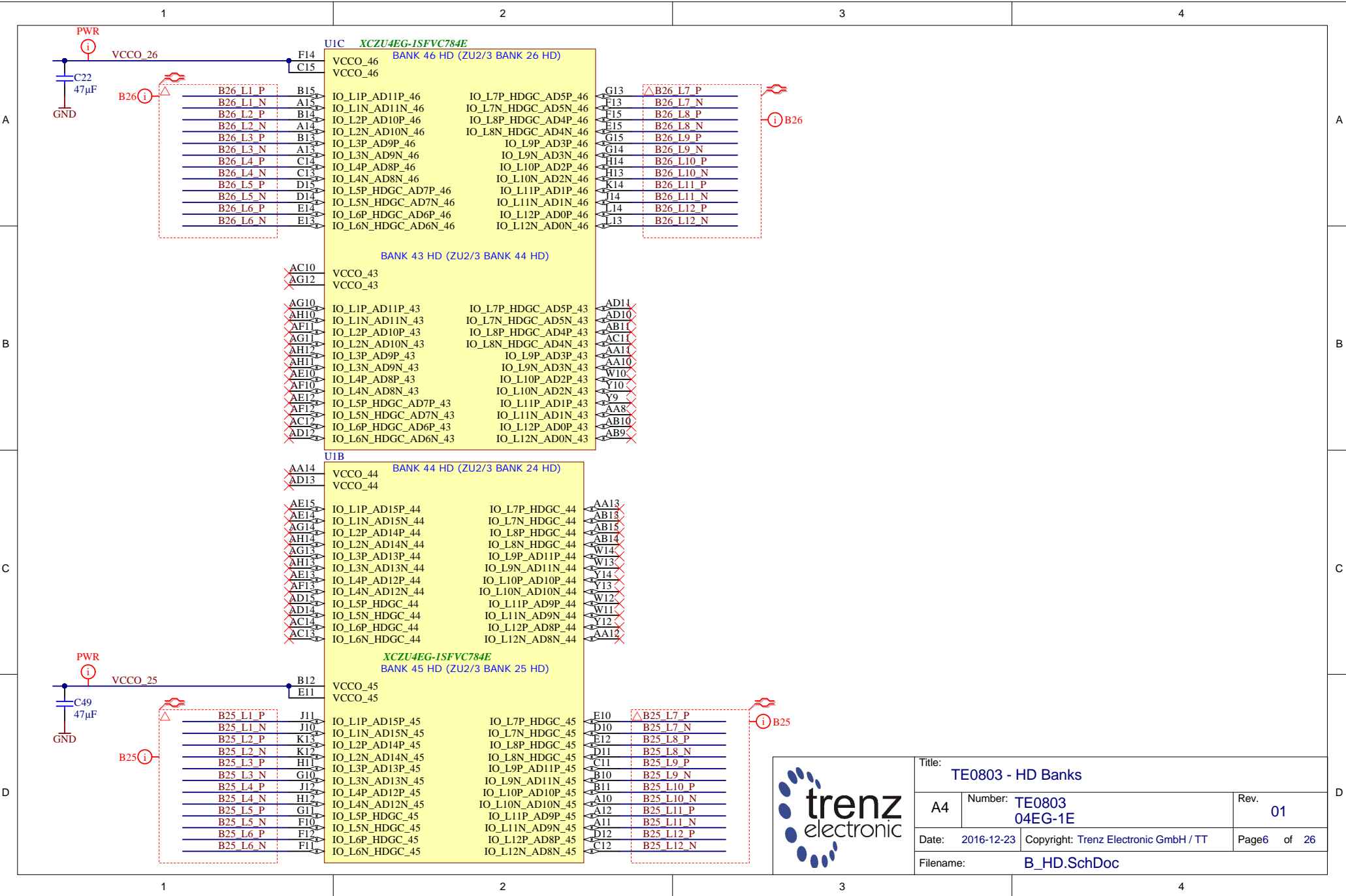
trenz electronic

Title: TE0803 - Connector J3

A4	Number: TE0803 04EG-1E	Rev. 01
Date: 2016-12-23	Copyright: Trenz Electronic GmbH / TT	Page4 of 26
Filename: J3.SchDoc		



Title: TE0803 - Connector J4		
A4	Number: TE0803 04EG-1E	Rev. 01
Date: 2016-12-23	Copyright: Trenz Electronic GmbH / TT	Page5 of 26
Filename: J4.SchDoc		



UIC XCZU4EG-1SFVC784E
BANK 46 HD (ZU2/3 BANK 26 HD)

VCCO_46	BANK 46 HD (ZU2/3 BANK 26 HD)	
VCCO_46		
F14	IO_L1P_AD11P_46	IO_L7P_HDGC_AD5P_46
C15	IO_L1N_AD11N_46	IO_L7N_HDGC_AD5N_46
	IO_L2P_AD10P_46	IO_L8P_HDGC_AD4P_46
	IO_L2N_AD10N_46	IO_L8N_HDGC_AD4N_46
	IO_L3P_AD9P_46	IO_L9P_AD3P_46
	IO_L3N_AD9N_46	IO_L9N_AD3N_46
	IO_L4P_AD8P_46	IO_L10P_AD2P_46
	IO_L4N_AD8N_46	IO_L10N_AD2N_46
	IO_L5P_HDGC_AD7P_46	IO_L11P_AD1P_46
	IO_L5N_HDGC_AD7N_46	IO_L11N_AD1N_46
	IO_L6P_HDGC_AD6P_46	IO_L12P_AD0P_46
	IO_L6N_HDGC_AD6N_46	IO_L12N_AD0N_46

G13	B26 L7 P
F13	B26 L7 N
F15	B26 L8 P
F15	B26 L8 N
G15	B26 L9 P
G14	B26 L9 N
H14	B26 L10 P
H13	B26 L10 N
K14	B26 L11 P
J14	B26 L11 N
L14	B26 L12 P
L13	B26 L12 N

BANK 43 HD (ZU2/3 BANK 44 HD)

AC10	VCCO_43	
AG12	VCCO_43	
AG10	IO_L1P_AD11P_43	IO_L7P_HDGC_AD5P_43
AH10	IO_L1N_AD11N_43	IO_L7N_HDGC_AD5N_43
AF11	IO_L2P_AD10P_43	IO_L8P_HDGC_AD4P_43
AG11	IO_L2N_AD10N_43	IO_L8N_HDGC_AD4N_43
AH12	IO_L3P_AD9P_43	IO_L9P_AD3P_43
AH11	IO_L3N_AD9N_43	IO_L9N_AD3N_43
AE10	IO_L4P_AD8P_43	IO_L10P_AD2P_43
AF10	IO_L4N_AD8N_43	IO_L10N_AD2N_43
AE12	IO_L5P_HDGC_AD7P_43	IO_L11P_AD1P_43
AF12	IO_L5N_HDGC_AD7N_43	IO_L11N_AD1N_43
AC12	IO_L6P_HDGC_AD6P_43	IO_L12P_AD0P_43
AD12	IO_L6N_HDGC_AD6N_43	IO_L12N_AD0N_43

AD11	
AD10	
AB11	
AC11	
AA11	
AA10	
W10	
Y10	
Y9	
AA8	
AB10	
AB9	

UIB
BANK 44 HD (ZU2/3 BANK 24 HD)

AA14	VCCO_44	
AD13	VCCO_44	
AE15	IO_L1P_AD15P_44	IO_L7P_HDGC_44
AE14	IO_L1N_AD15N_44	IO_L7N_HDGC_44
AG14	IO_L2P_AD14P_44	IO_L8P_HDGC_44
AH14	IO_L2N_AD14N_44	IO_L8N_HDGC_44
AG13	IO_L3P_AD13P_44	IO_L9P_AD11P_44
AH13	IO_L3N_AD13N_44	IO_L9N_AD11N_44
AE13	IO_L4P_AD12P_44	IO_L10P_AD10P_44
AF13	IO_L4N_AD12N_44	IO_L10N_AD10N_44
AD15	IO_L5P_HDGC_44	IO_L11P_AD9P_44
AD14	IO_L5N_HDGC_44	IO_L11N_AD9N_44
AC14	IO_L6P_HDGC_44	IO_L12P_AD8P_44
AC13	IO_L6N_HDGC_44	IO_L12N_AD8N_44

AA13	
AB13	
AB15	
AB14	
W14	
W13	
Y14	
Y13	
W12	
W11	
Y12	
AA12	

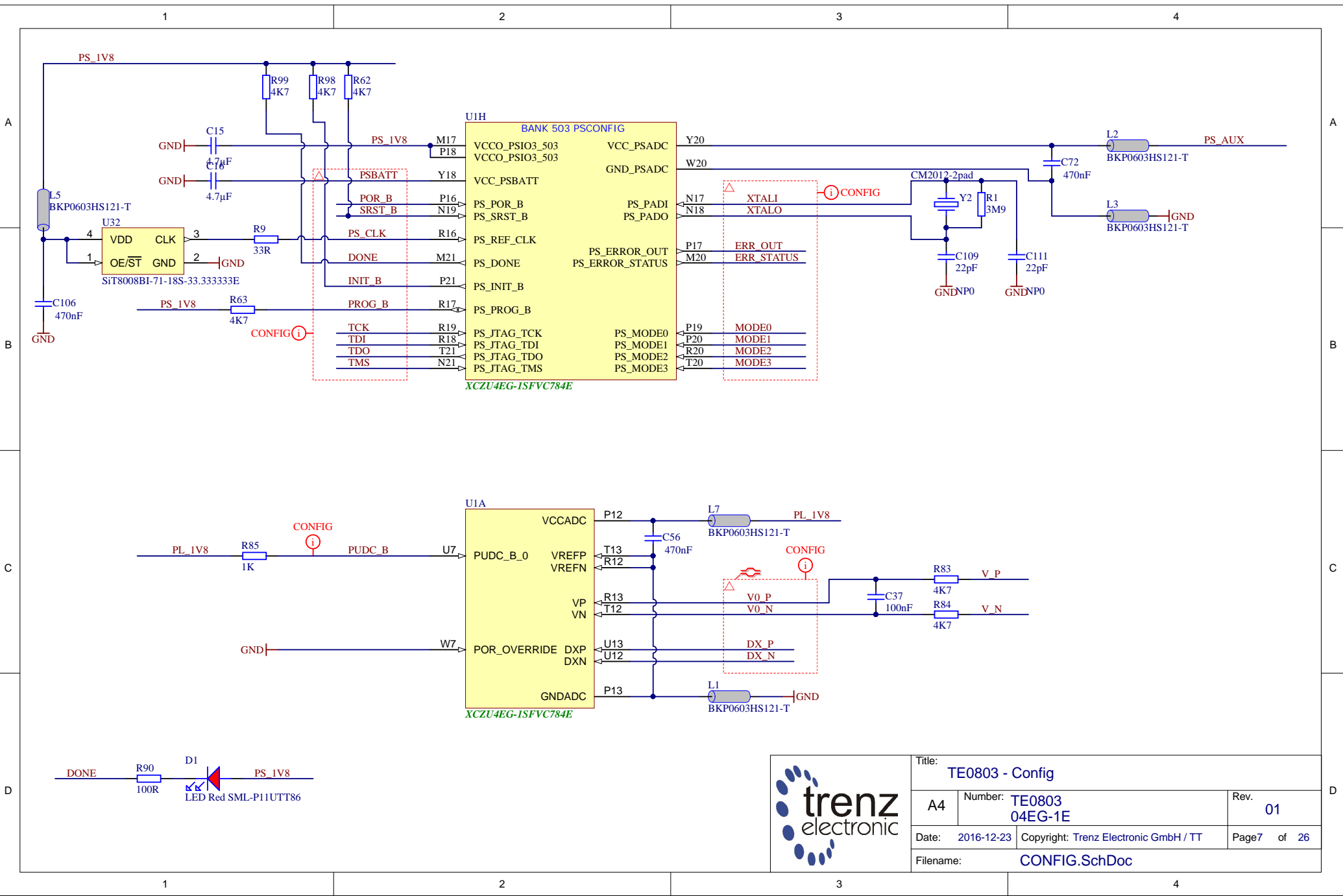
XCZU4EG-1SFVC784E
BANK 45 HD (ZU2/3 BANK 25 HD)

VCCO_45	BANK 45 HD (ZU2/3 BANK 25 HD)	
VCCO_45		
B12	IO_L1P_AD15P_45	IO_L7P_HDGC_45
E11	IO_L1N_AD15N_45	IO_L7N_HDGC_45
	IO_L2P_AD14P_45	IO_L8P_HDGC_45
	IO_L2N_AD14N_45	IO_L8N_HDGC_45
	IO_L3P_AD13P_45	IO_L9P_AD11P_45
	IO_L3N_AD13N_45	IO_L9N_AD11N_45
	IO_L4P_AD12P_45	IO_L10P_AD10P_45
	IO_L4N_AD12N_45	IO_L10N_AD10N_45
	IO_L5P_HDGC_45	IO_L11P_AD9P_45
	IO_L5N_HDGC_45	IO_L11N_AD9N_45
	IO_L6P_HDGC_45	IO_L12P_AD8P_45
	IO_L6N_HDGC_45	IO_L12N_AD8N_45

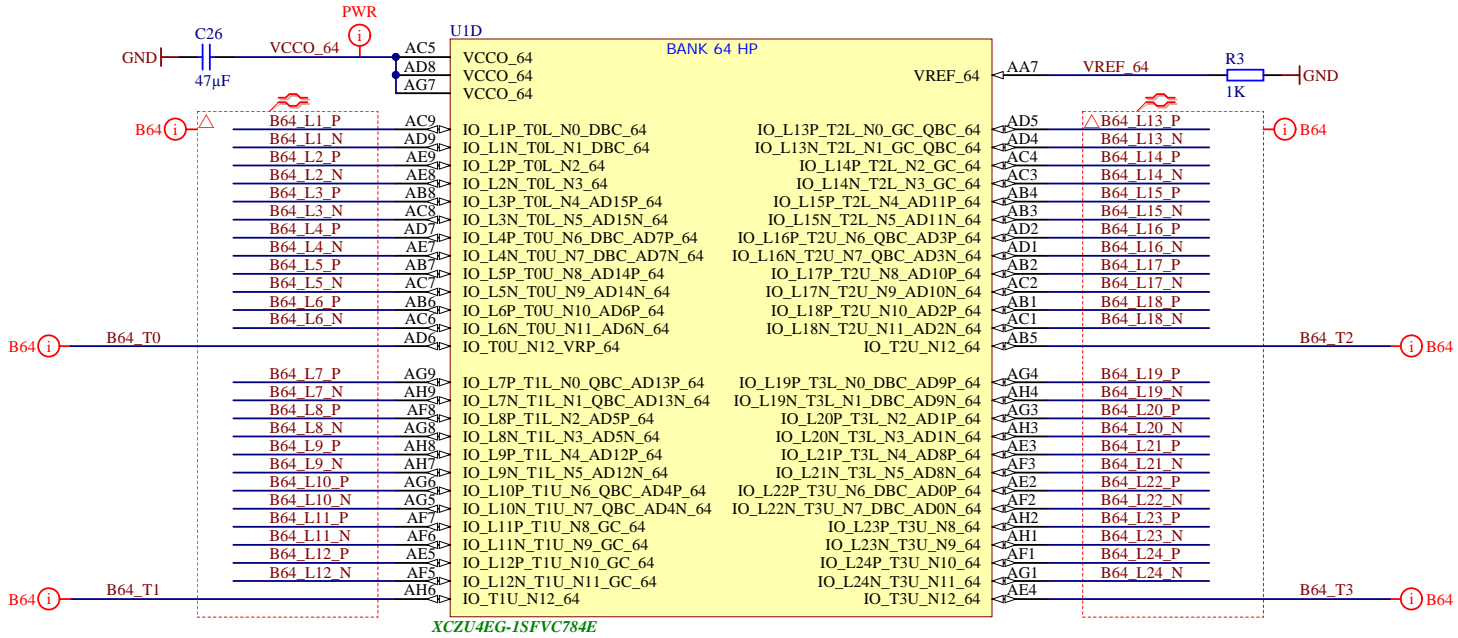
E10	B25 L7 P
D10	B25 L7 N
E12	B25 L8 P
D11	B25 L8 N
C11	B25 L9 P
B10	B25 L9 N
B11	B25 L10 P
A10	B25 L10 N
A12	B25 L11 P
A11	B25 L11 N
D12	B25 L12 P
C12	B25 L12 N



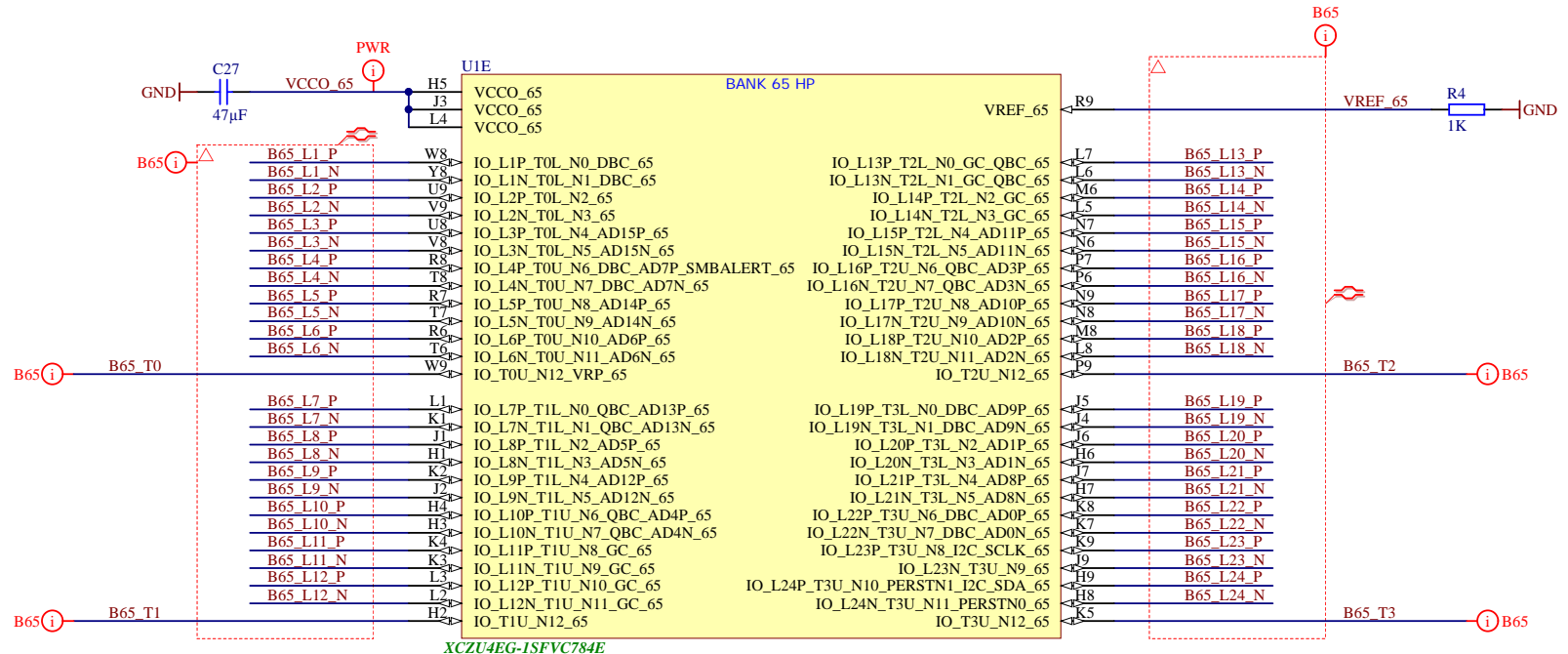
Title: TE0803 - HD Banks		
A4	Number: TE0803 04EG-1E	Rev. 01
Date: 2016-12-23	Copyright: Trenz Electronic GmbH / TT	Page6 of 26
Filename: B_HD.SchDoc		



Title: TE0803 - Config		
A4	Number: TE0803 04EG-1E	Rev. 01
Date: 2016-12-23	Copyright: Trenz Electronic GmbH / TT	Page 7 of 26
Filename: CONFIG.SchDoc		



Title: TE0803 - B64		
A4	Number: TE0803 04EG-1E	Rev. 01
Date: 2016-12-23	Copyright: Trenz Electronic GmbH / TT	Page8 of 26
Filename: B64.SchDoc		



	Title: TE0803 - B65	
	A4	Number: TE0803 04EG-1E
	Date: 2016-12-23	Copyright: Trenz Electronic GmbH / TT
	Rev. 01	Page9 of 26
Filename: B65.SchDoc		

1

2

3

4

A

A

B

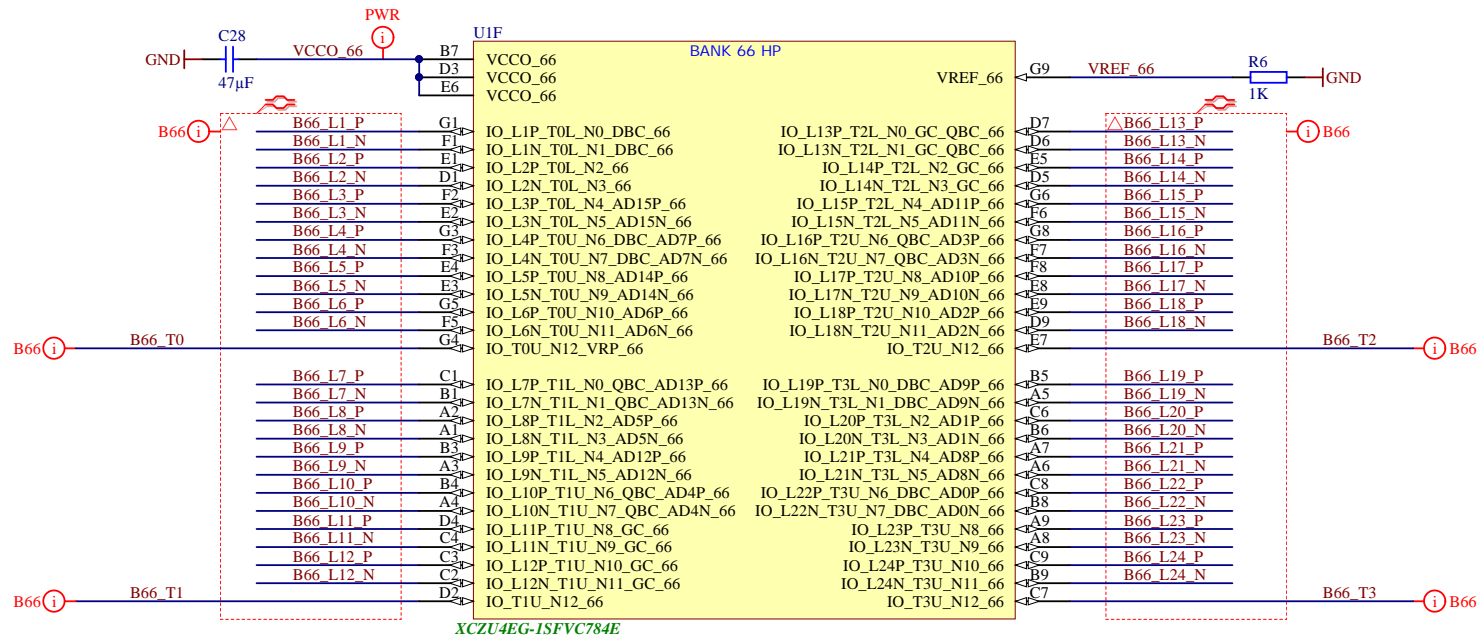
B

C

C

D

D



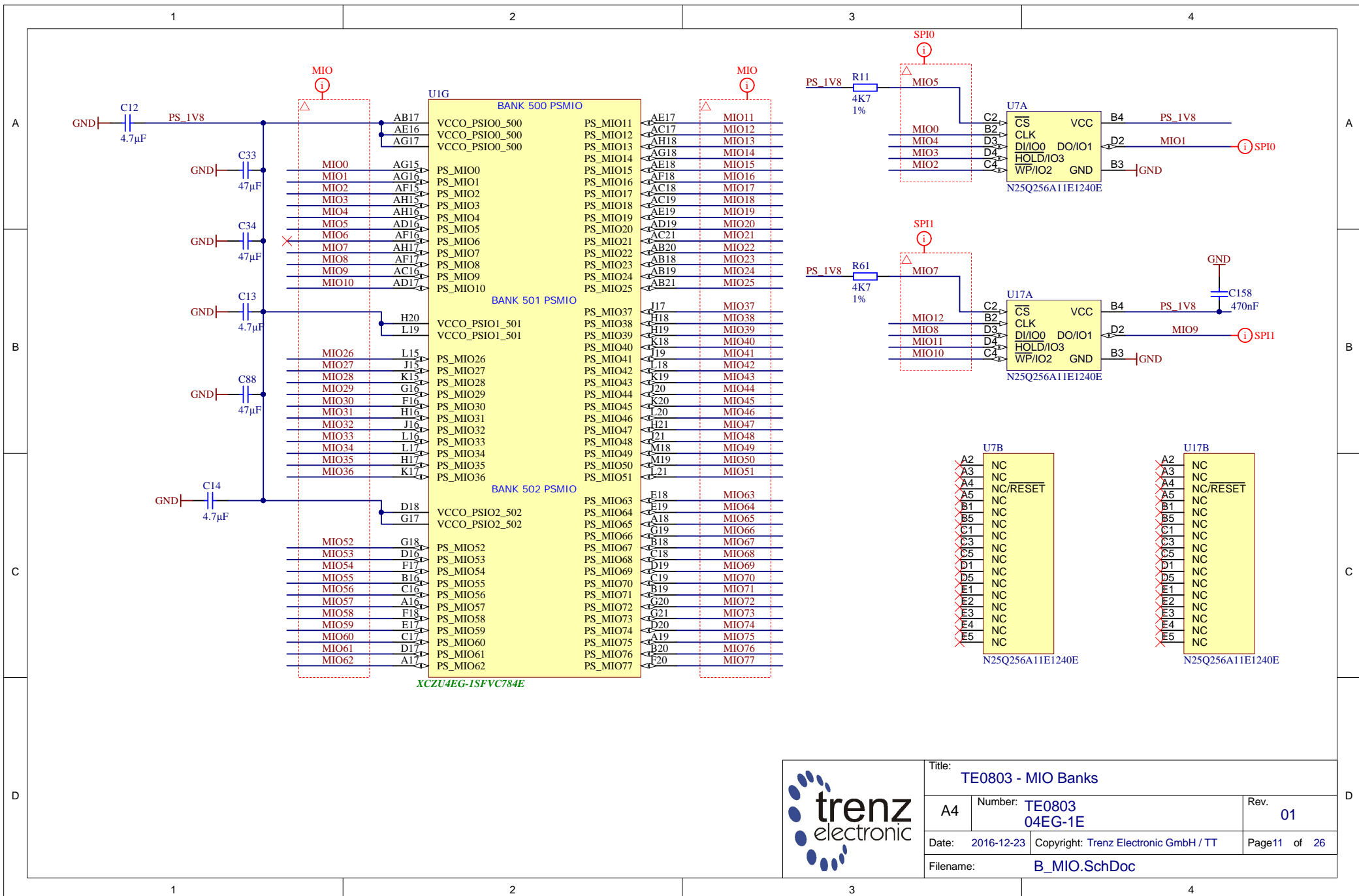
Title: TE0803 - B66		
A4	Number: TE0803 04EG-1E	Rev. 01
Date: 2016-12-23	Copyright: Trenz Electronic GmbH / TT	Page10 of 26
Filename: B66.SchDoc		

1

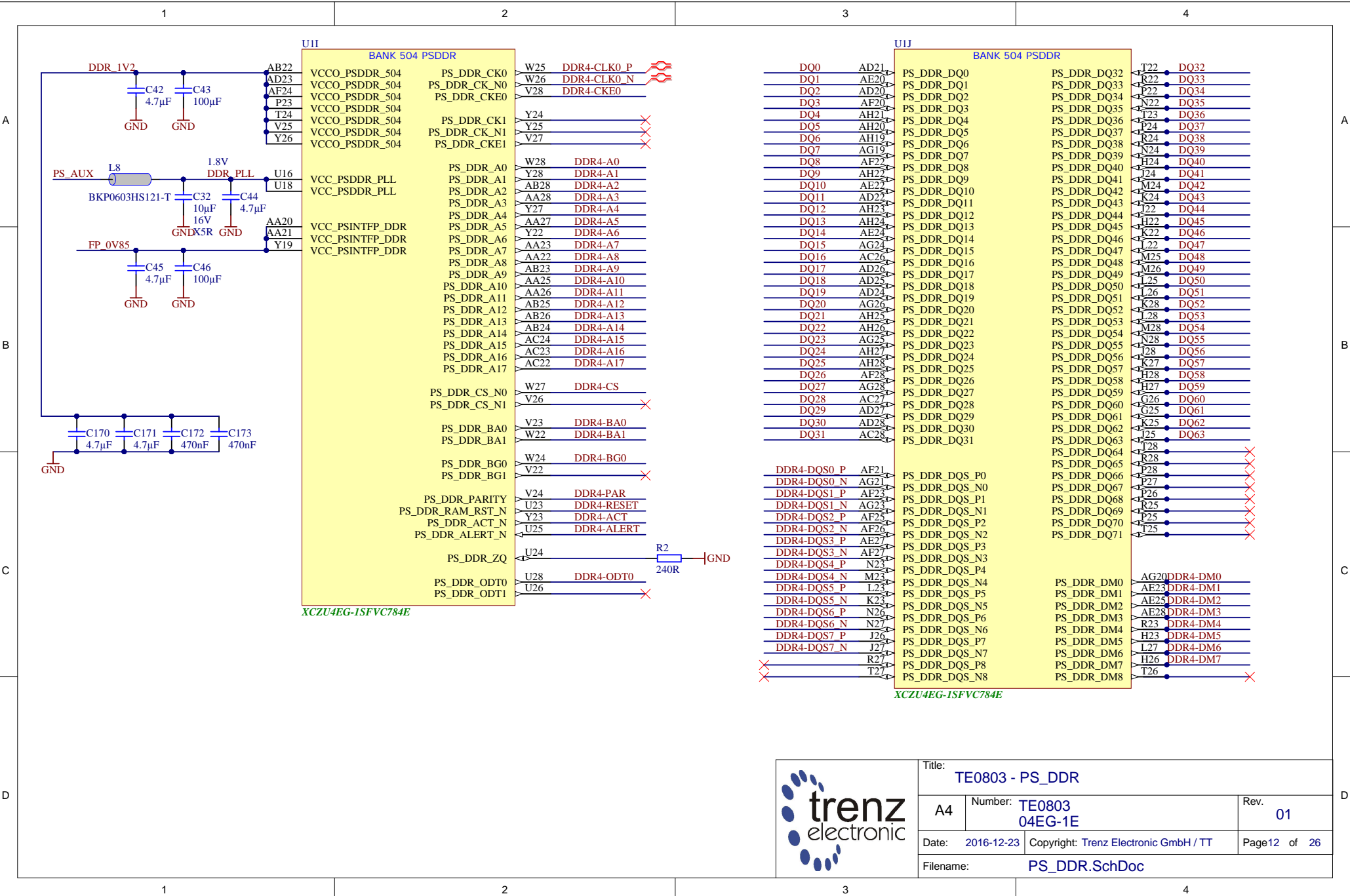
2

3

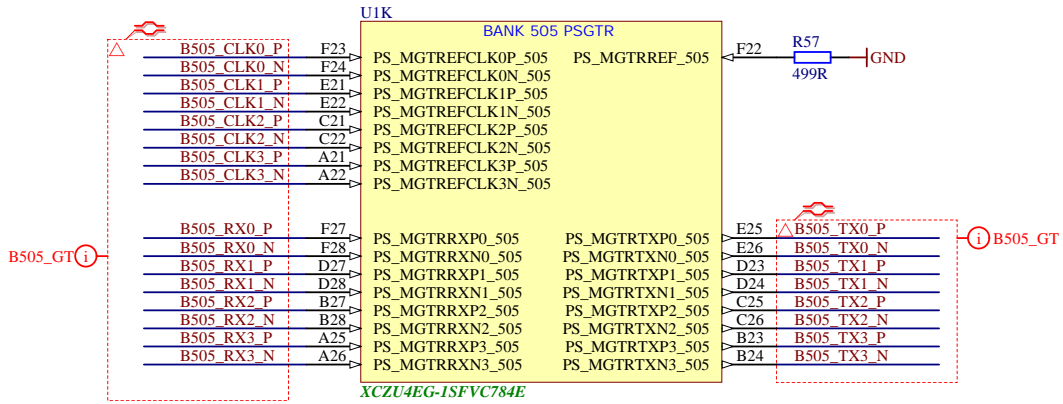
4




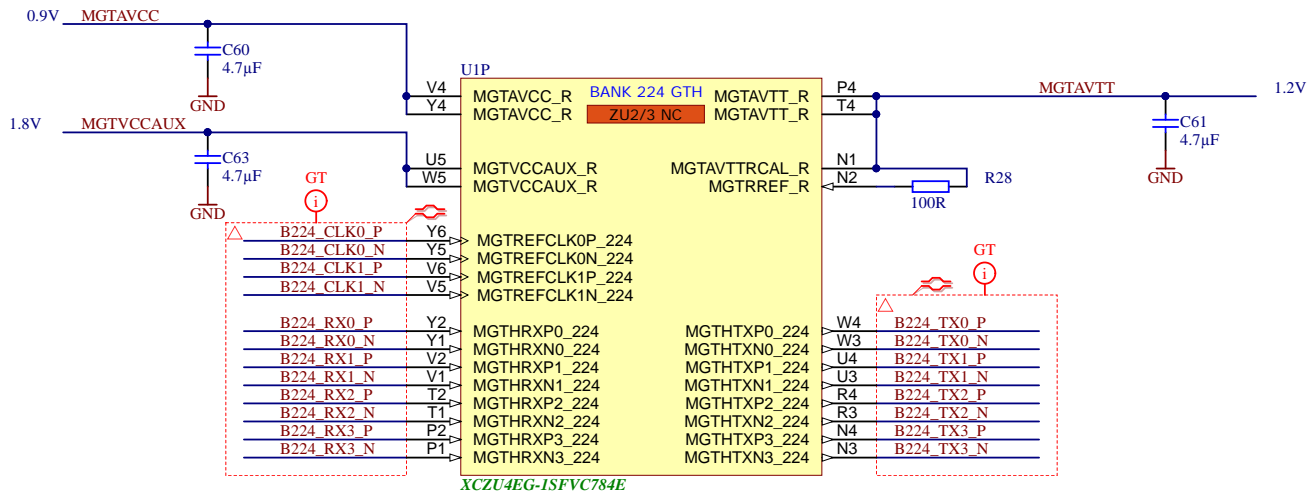
	Title: TE0803 - MIO Banks		
	A4	Number: TE0803 04EG-1E	Rev. 01
	Date: 2016-12-23	Copyright: Trenz Electronic GmbH / TT	Page 11 of 26
	Filename: B_MIO.SchDoc		



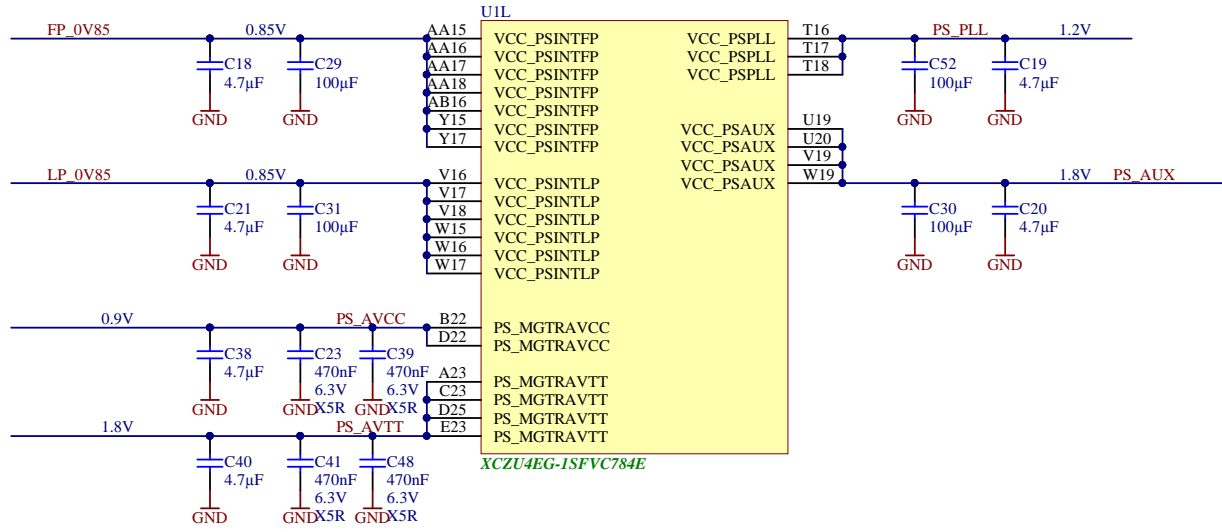
Title: TE0803 - PS_DDR		
A4	Number: TE0803 04EG-1E	Rev. 01
Date: 2016-12-23	Copyright: Trenz Electronic GmbH / TT	Page 12 of 26
Filename: PS_DDR.SchDoc		



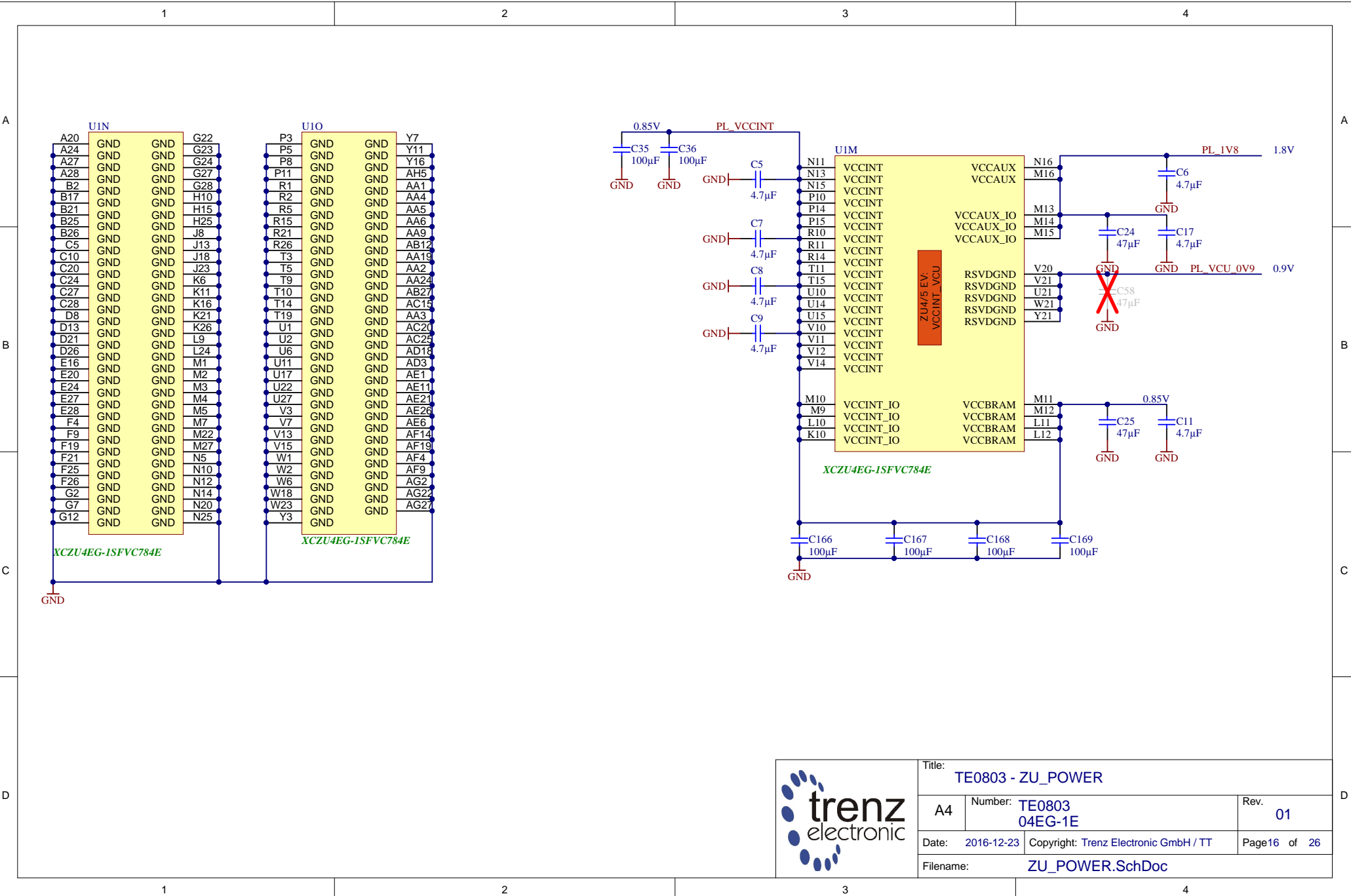
		Title: TE0803 - PS_GT	
		A4	Number: TE0803 04EG-1E
Date: 2016-12-23		Copyright: Trenz Electronic GmbH / TT	
Filename: B_PS_GT.SchDoc		Page13 of 26	



Title: TE0803 - B224GTH		
A4	Number: TE0803 04EG-1E	Rev. 01
Date: 2016-12-23	Copyright: Trenz Electronic GmbH / TT	Page 14 of 26
Filename: B_GT.SchDoc		



Title: TE0803 - ZU_PS_POWER		
A4	Number: TE0803 04EG-1E	Rev. 01
Date: 2016-12-23	Copyright: Trenz Electronic GmbH / TT	Page 15 of 26
Filename: ZU_PS_POWER.SchDoc		



Title: TE0803 - ZU_POWER		
A4	Number: TE0803 04EG-1E	Rev. 01
Date: 2016-12-23	Copyright: Trenz Electronic GmbH / TT	Page 16 of 26
Filename: ZU_POWER.SchDoc		

1

2

3

4

A

A

B

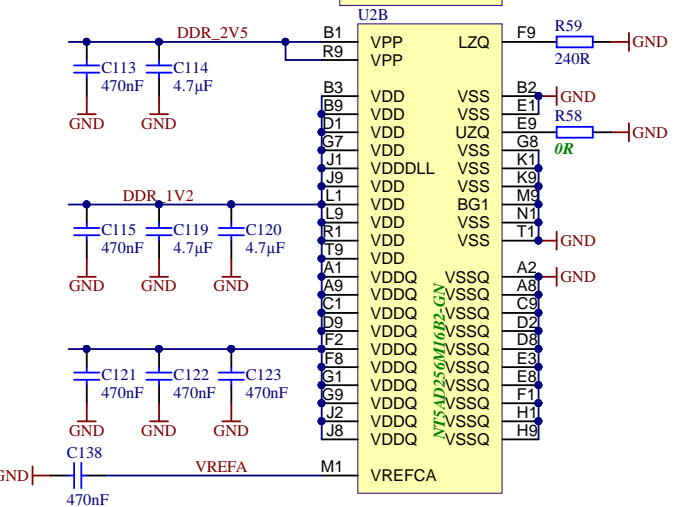
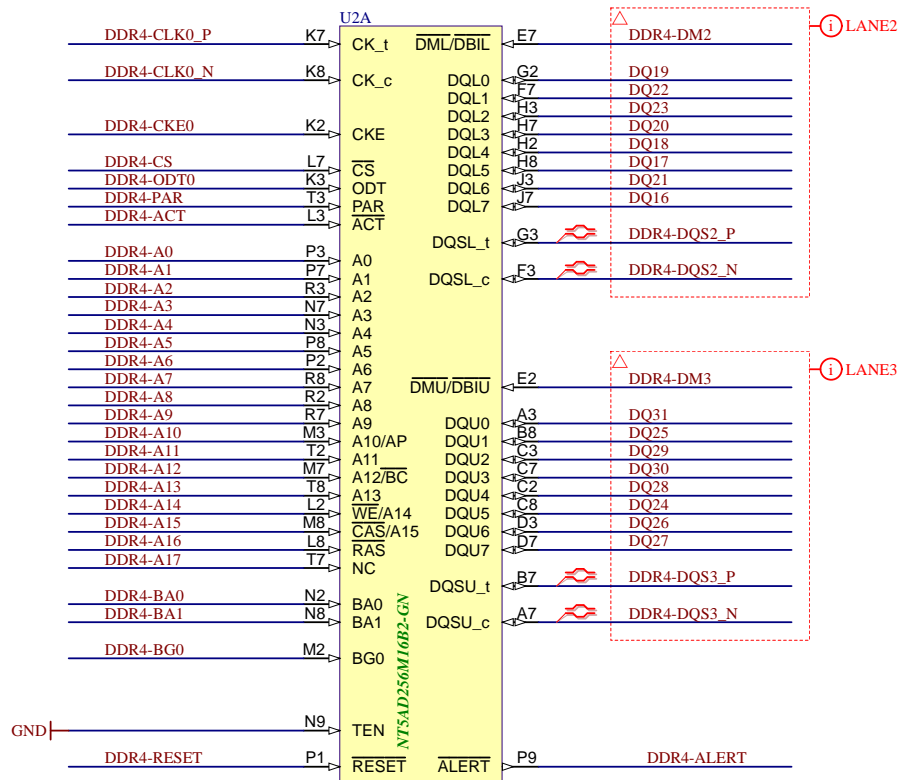
B

C

C

D

D



trenz electronic

Title: TE0803 - DDR4_1_RAM		
A4	Number: TE0803 04EG-1E	Rev. 01
Date: 2016-12-23	Copyright: Trenz Electronic GmbH / TT	Page 17 of 26
Filename: DDR4-RAM.SchDoc		

1

2

3

4

1

2

3

4

A

A

B

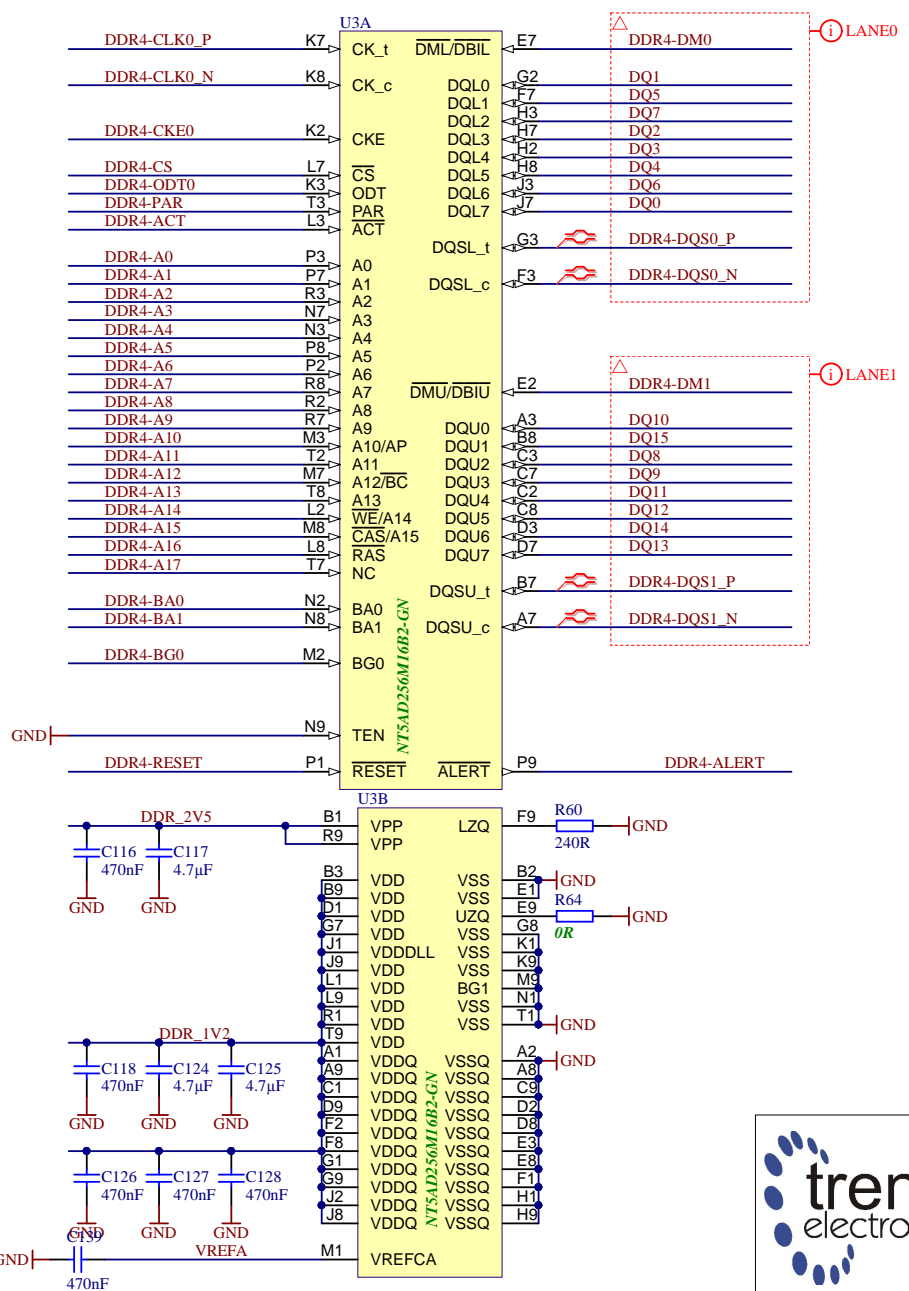

B

C

C

D

D

Title: TE0803 - DDR4_2_RAM		
A4	Number: TE0803 04EG-1E	Rev. 01
Date: 2016-12-23	Copyright: Trenz Electronic GmbH / TT	Page 18 of 26
Filename: DDR4-RAM_2.SchDoc		

1

2

3

4

1

2

3

4

A

A

B

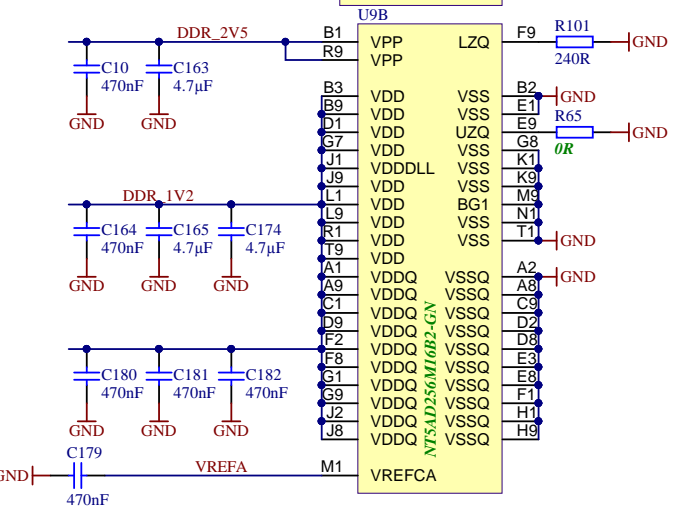
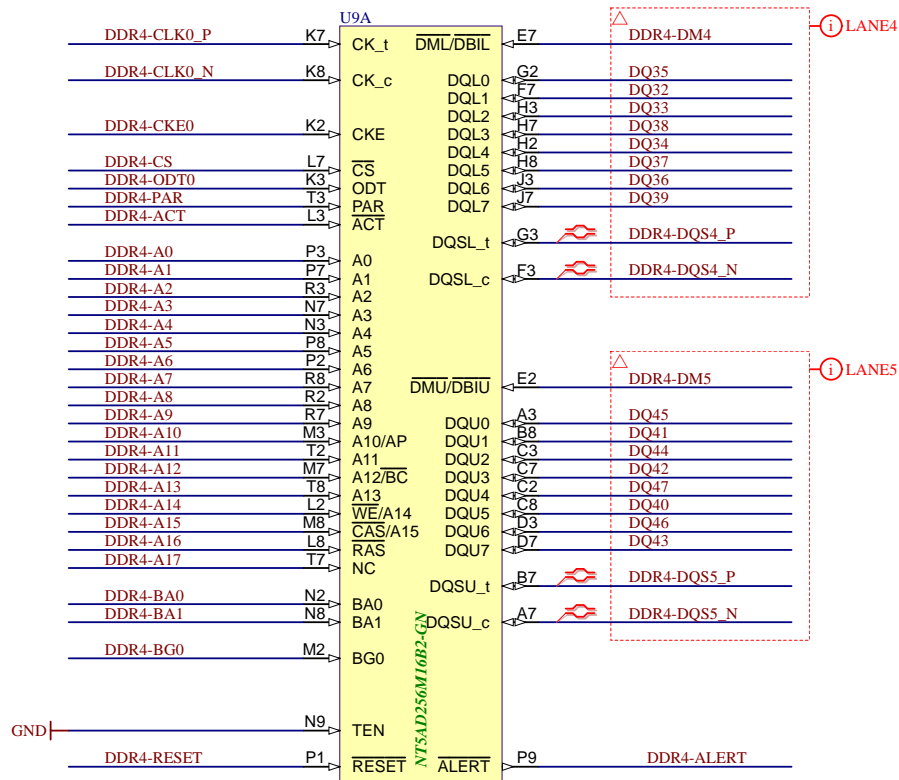
B

C

C

D

D



Title: TE0803 - DDR4_3_RAM		
A4	Number: TE0803 04EG-1E	Rev. 01
Date: 2016-12-23	Copyright: Trenz Electronic GmbH / TT	Page 19 of 26
Filename: DDR4-RAM_3.SchDoc		

1

2

3

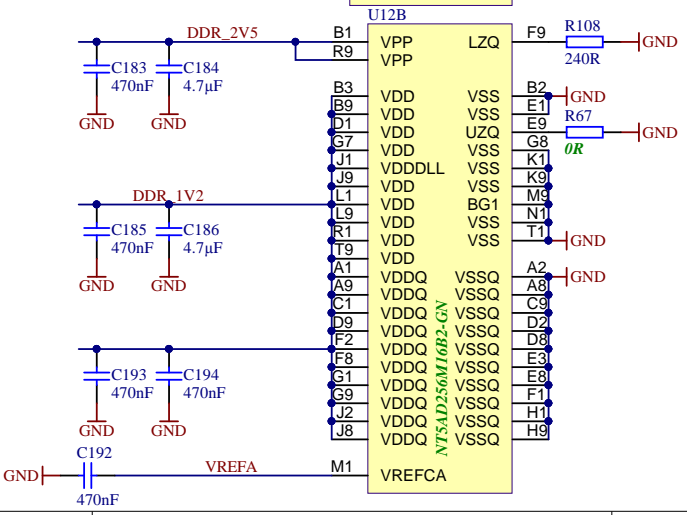
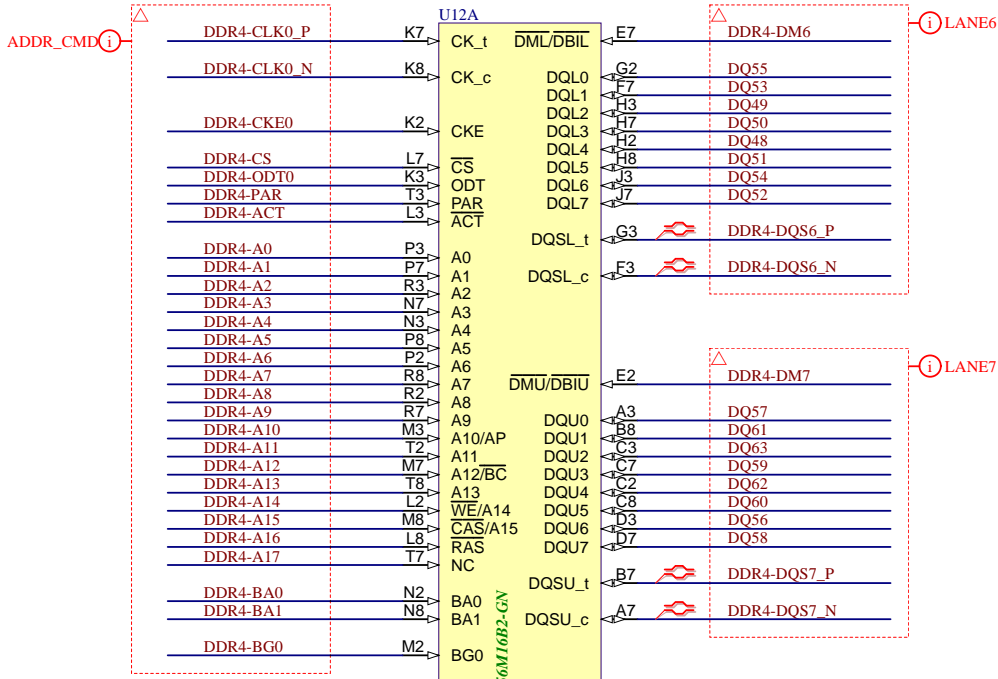
4

1

2

3

4



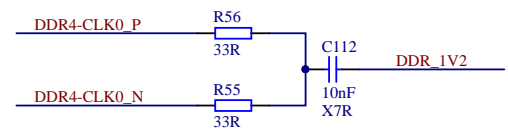
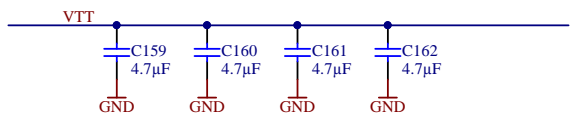
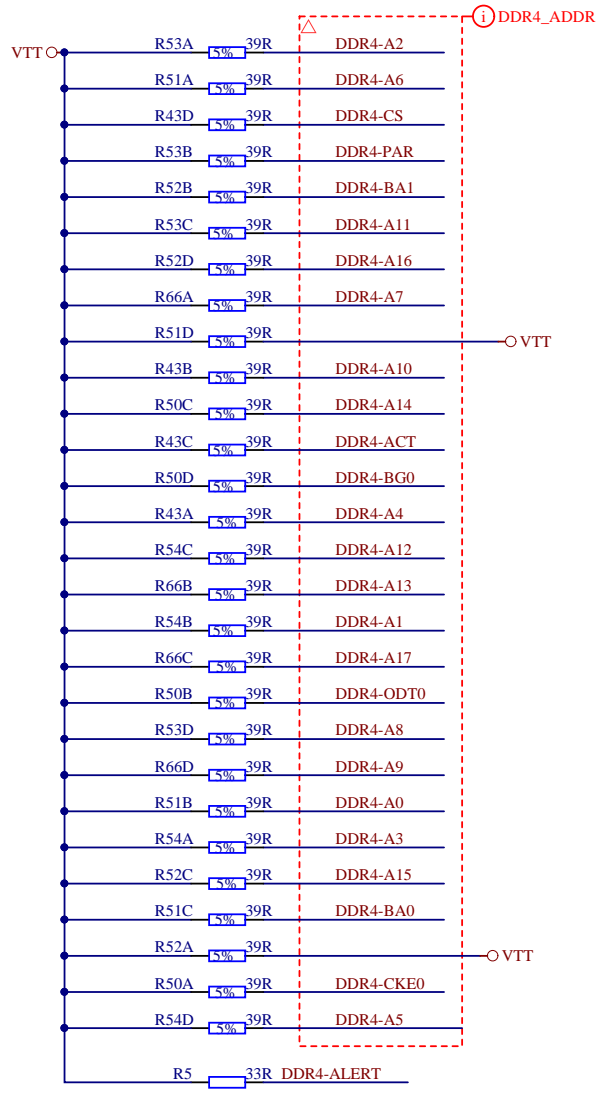
Title: TE0803 - DDR4_4_RAM		
A4	Number: TE0803 04EG-1E	Rev. 01
Date: 2016-12-23	Copyright: Trenz Electronic GmbH / TT	Page20 of 26
Filename: DDR4-RAM_4.SchDoc		

1

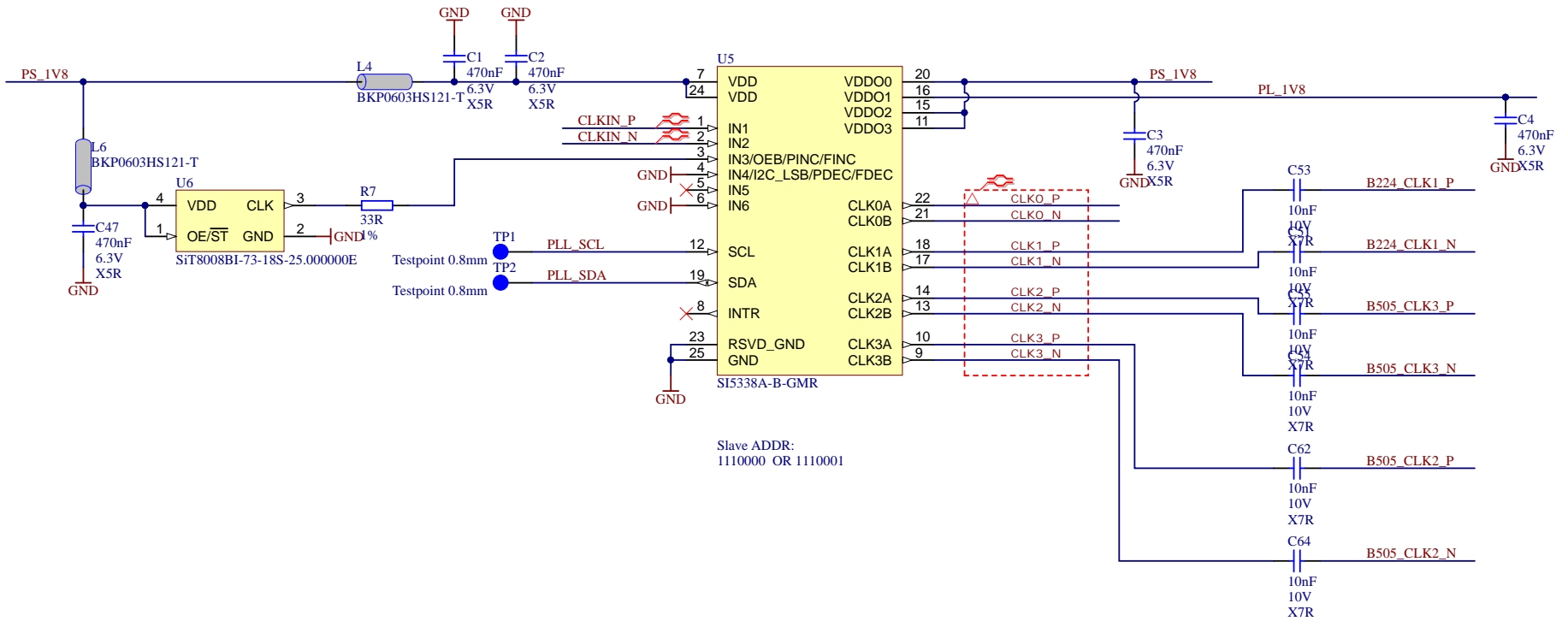
2

3

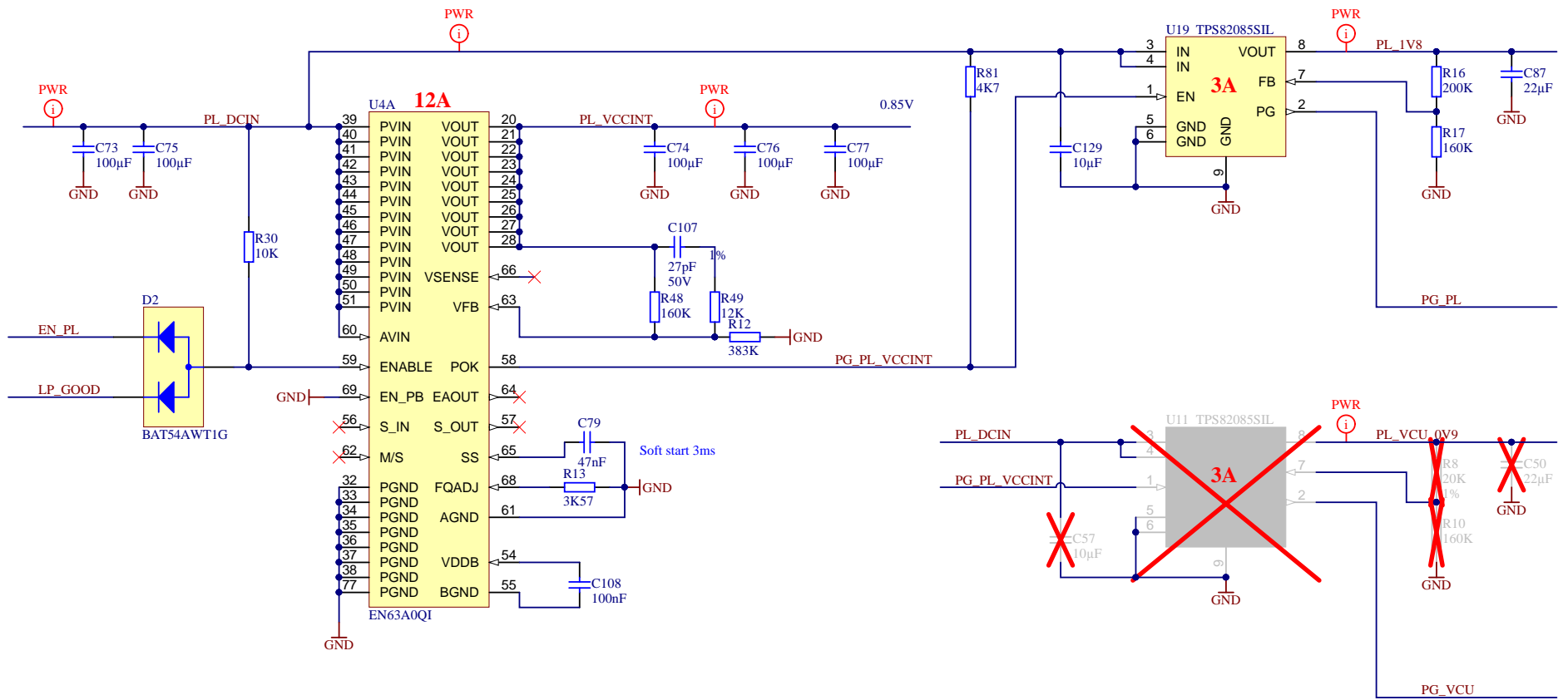
4



Title: TE0803 - DDR4_TERM		
A4	Number: TE0803 04EG-1E	Rev. 01
Date: 2016-12-23	Copyright: Trenz Electronic GmbH / TT	Page21 of 26
Filename: DDR4-TERM.SchDoc		



Title: TE0803 - CLOCK		
A4	Number: TE0803 04EG-1E	Rev. 01
Date: 2016-12-23	Copyright: Trenz Electronic GmbH / TT	Page22 of 26
Filename: Clock.SchDoc		



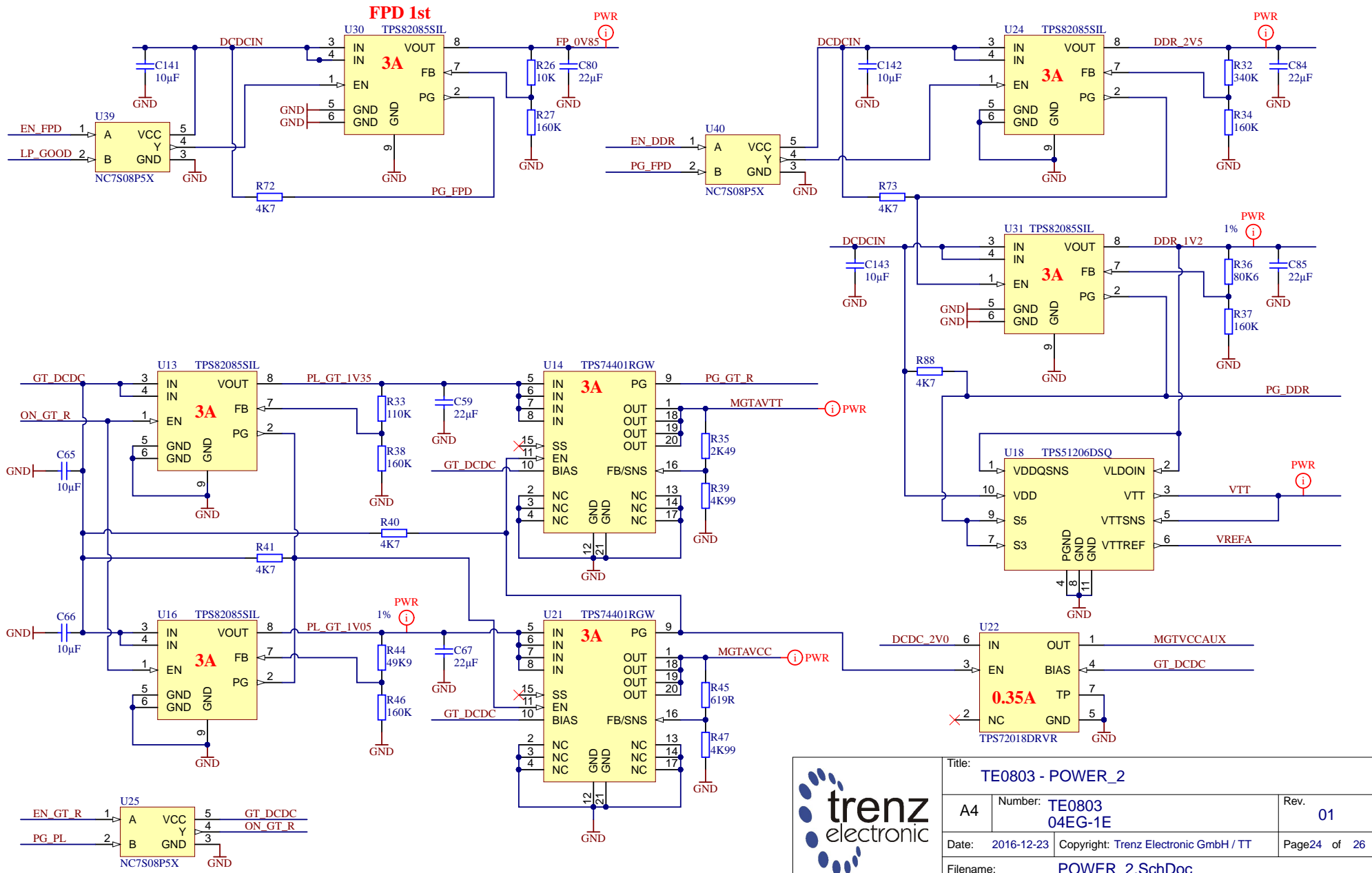
U4B

1	NC	NC	17
2	NC	NC	18
3	NC	NC	19
4	NC	NC	29
5	NC	NC	30
6	NC	NC(SW)	31
7	NC	NC(SW)	52
8	NC	NC	53
9	NC	NC	67
10	NC	NC(SW)	70
11	NC	NC(SW)	71
12	NC	NC(SW)	72
13	NC	NC	73
14	NC	NC	74
15	NC	NC	75
16	NC	NC	76

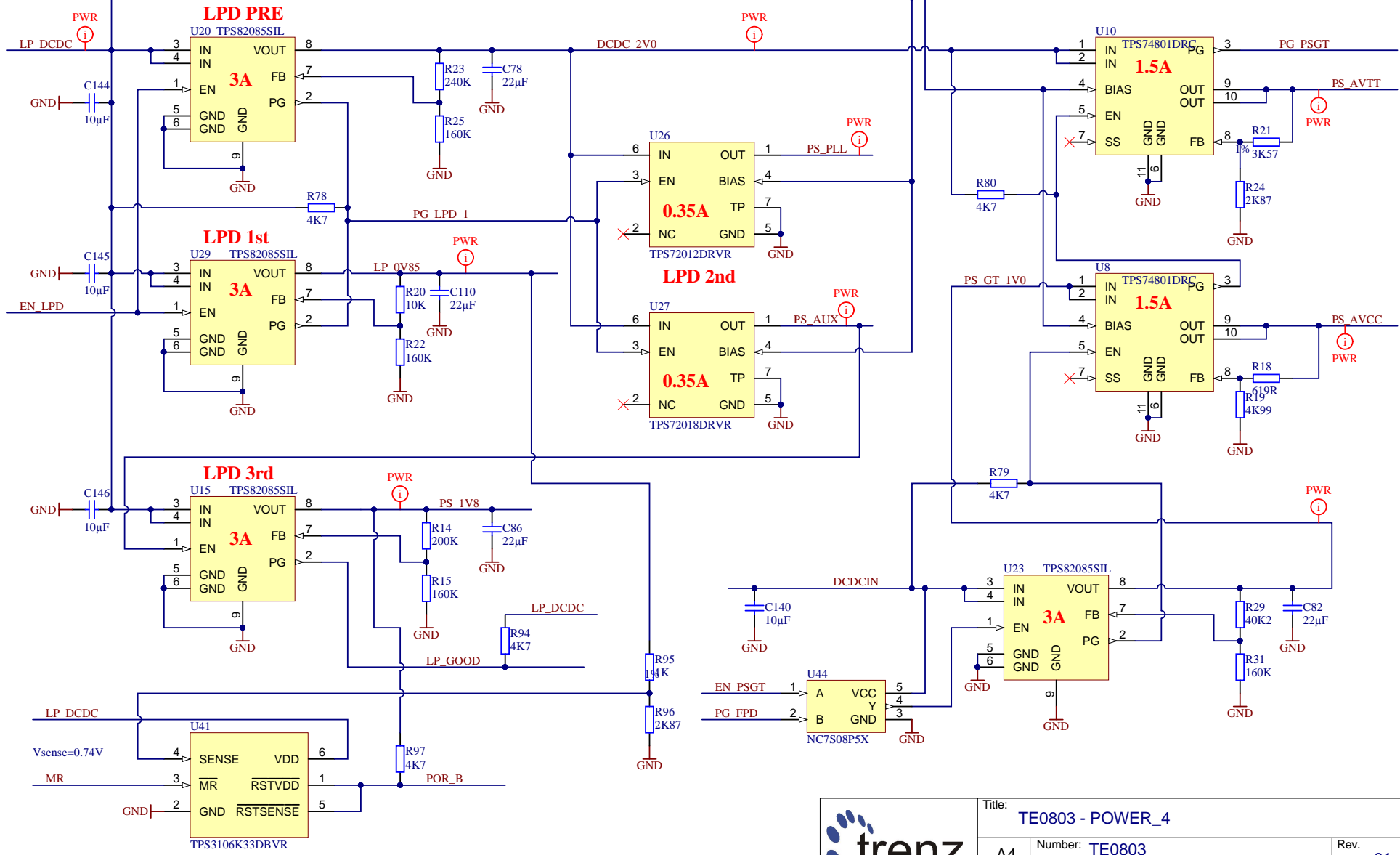
EN63A0QI




Title: TE0803 - POWER		
A4	Number: TE0803 04EG-1E	Rev. 01
Date: 2016-12-23	Copyright: Trenz Electronic GmbH / TT	Page23 of 26
Filename: POWER.SchDoc		



Title: TE0803 - POWER_2		
A4	Number: TE0803 04EG-1E	Rev. 01
Date: 2016-12-23	Copyright: Trenz Electronic GmbH / TT	Page24 of 26
Filename: POWER_2.SchDoc		



			Title: TE0803 - POWER_4	
			A4	Number: TE0803 04EG-1E
Date: 2016-12-23		Copyright: Trenz Electronic GmbH / TT		Page 25 of 26
Filename: POWER_4.SchDoc				

1

2

3

4

CHANGES REV01a (20.11.2017):

1) VCU voltage set to 0.9V, R20 changed to 40K , PL_VCU_1V0 renamed to PL_VCU_0V9.

A

A

B

B

C

C

D

D



Title: TE0803 - Changes list		
A4	Number: TE0803 04EG-1E	Rev. 01
Date: 2017-01-27	Copyright: Trenz Electronic GmbH	Page 26 of 26
Filename: Revision_Changes.SchDoc		

1

2

3

4