

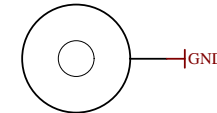
1

2

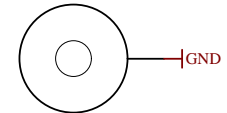
3

4

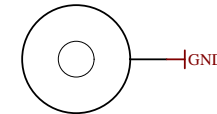
U_J1 J1.SchDoc	U_B_PS_GT B_PS_GT.SchDoc	U_DDR4-TERM DDR4-TERM.SchDoc
U_J2 J2.SchDoc	U_PS_DDR PS_DDR.SchDoc	U_ZU_POWER ZU_POWER.SchDoc
U_J3 J3.SchDoc	U_B_MIO B_MIO.SchDoc	U_ZU_PS_POWER ZU_PS_POWER.SchDoc
U_J4 J4.SchDoc	U_B_HD B_HD.SchDoc	U_POWER POWER.SchDoc
U_DDR4-TERM DDR4-TERM.SchDoc	U_Clock Clock.SchDoc	U_POWER_2 POWER_2.SchDoc
U_B64 B64.SchDoc	U_CONFIG CONFIG.SchDoc	
U_B65 B65.SchDoc	U_DDR4-RAM DDR4-RAM.SchDoc	U_POWER_4 POWER_4.SchDoc
U_B66 B66.SchDoc	U_DDR4-RAM_2 DDR4-RAM_2.SchDoc	U_REV_CH Revision_Changes.SchDoc
U_B_GT B_GT.SchDoc	U_DDR4-RAM_3 DDR4-RAM_3.SchDoc	
	U_DDR4-RAM_4 DDR4-RAM_4.SchDoc	



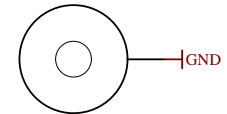
Mount.Hole 3.2mm für Unterlegscheibe



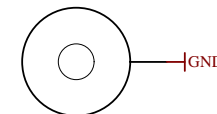
Mount.Hole 3.2mm für Unterlegscheibe



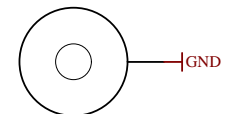
Mount.Hole 3.2mm für Unterlegscheibe



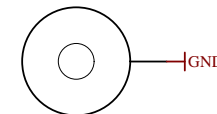
Mount.Hole 3.2mm für Unterlegscheibe



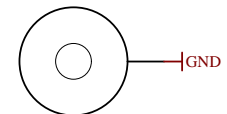
Mount.Hole 3.2mm für Unterlegscheibe



Mount.Hole 3.2mm für Unterlegscheibe



Mount.Hole 3.2mm für Unterlegscheibe



Mount.Hole 3.2mm für Unterlegscheibe

FIDU-DOT - small FIDU-DOT - small



PM1 PM2  
FIDU-DOT - small FIDU-DOT - small



PM3 PM4  
FIDU-DOT - small FIDU-DOT - small



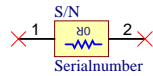
PM5 PM6

LOGO1

TE Logo PRINT Layer

LOGO PRINT

Serial  
Serial  
Serialnumber 6,3 x 6.3mm



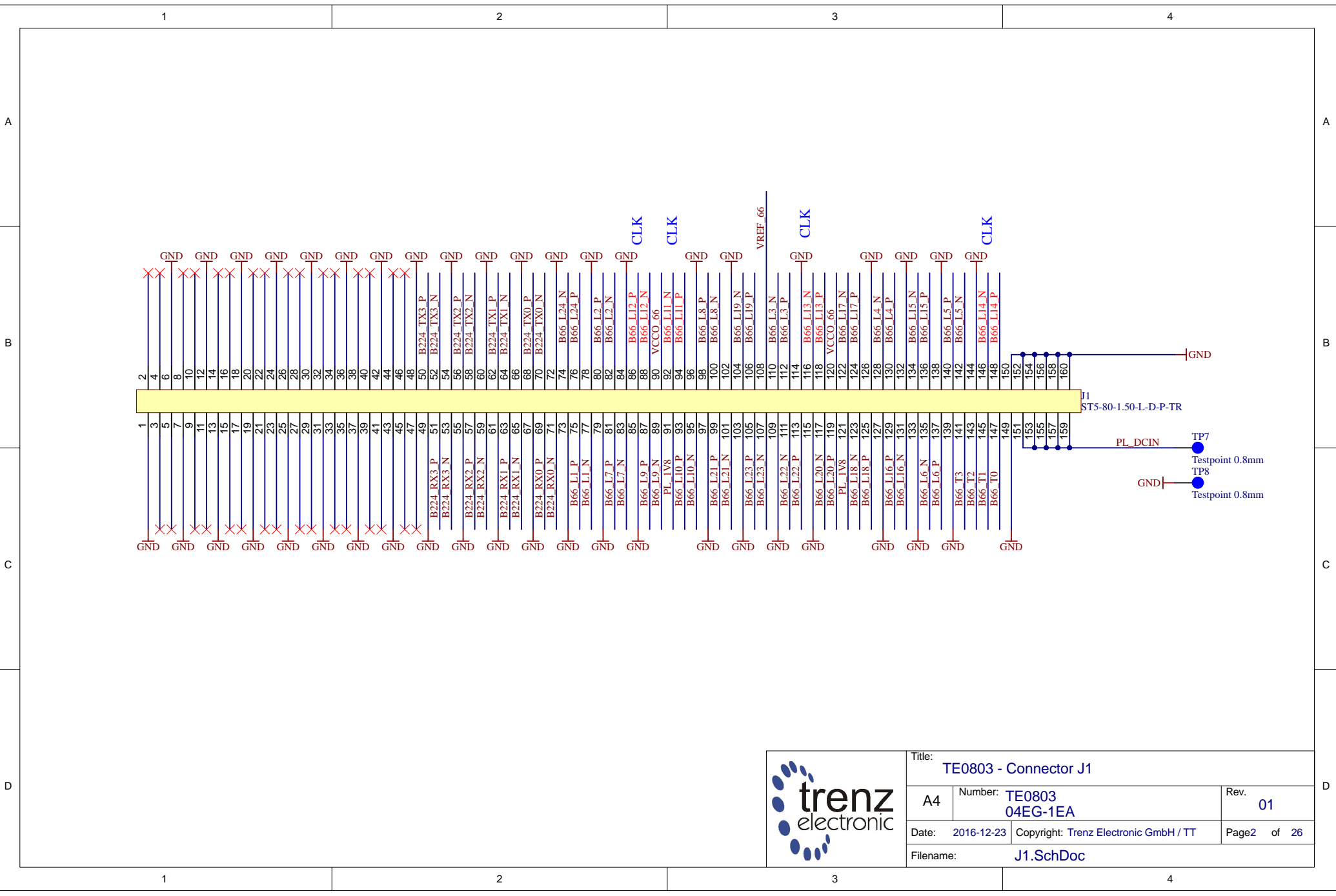
Title: TE0803		
A4	Number: TE0803 04EG-1EA	Rev. 01
Date: 2016-12-23	Copyright: Trenz Electronic GmbH / TT	Page1 of 26
Filename: TE0803.SchDoc		


1

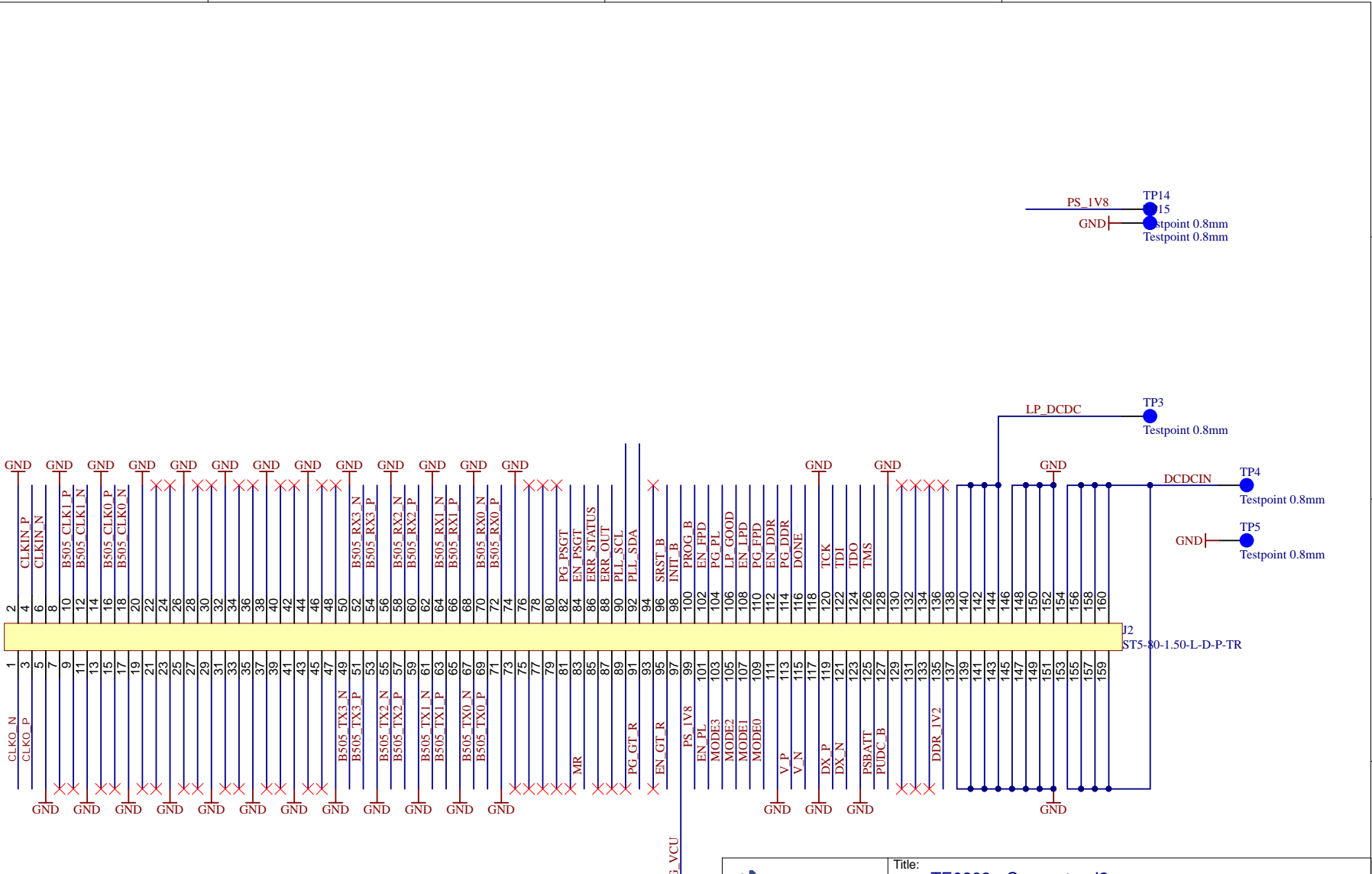
2

3

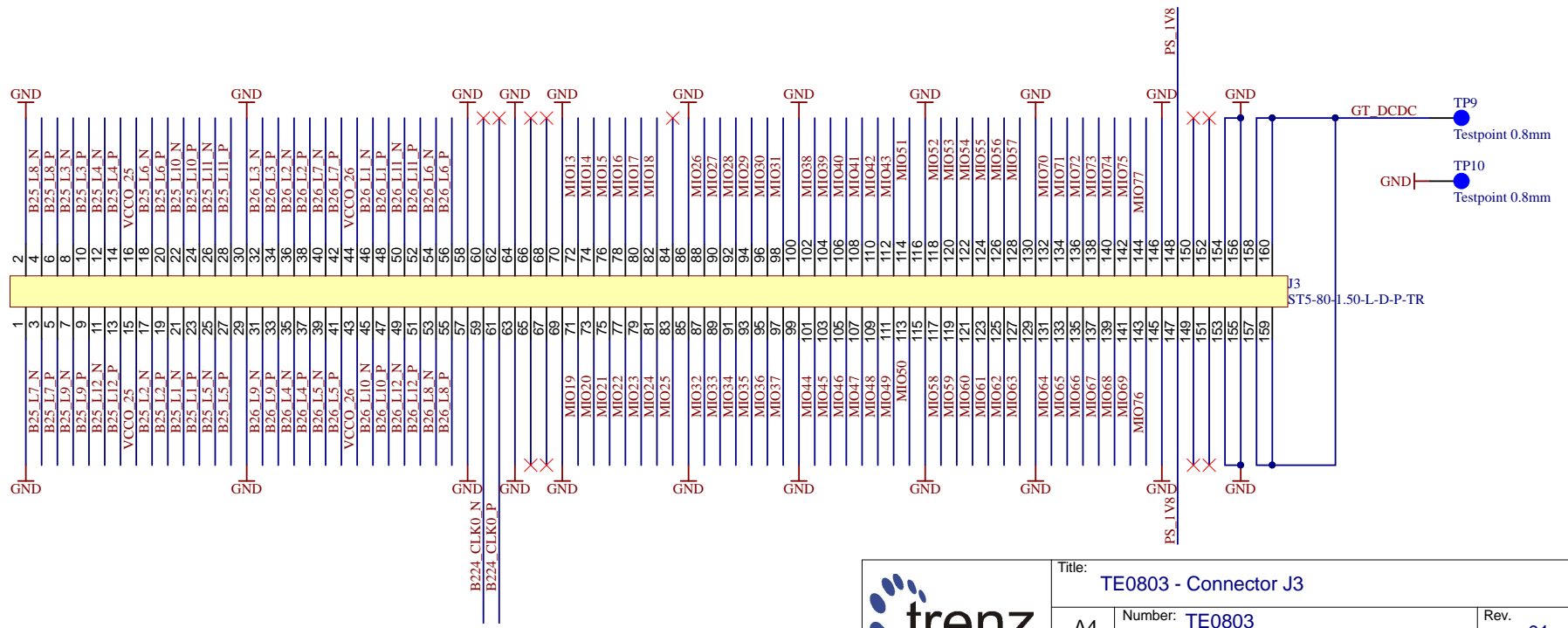
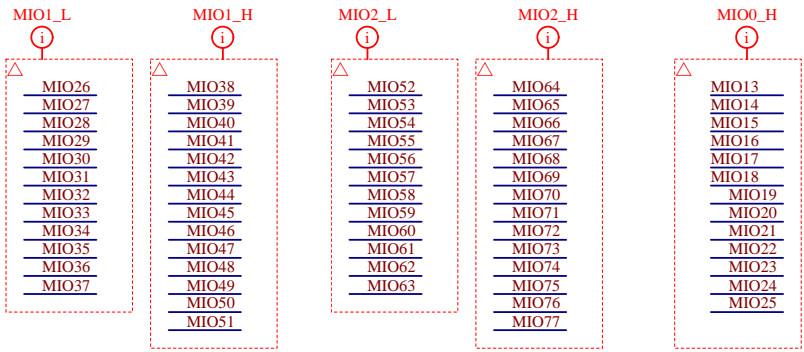
4



	Title: TE0803 - Connector J1		
	A4	Number: TE0803 04EG-1EA	Rev. 01
	Date: 2016-12-23	Copyright: Trenz Electronic GmbH / TT	Page2 of 26
	Filename: J1.SchDoc		

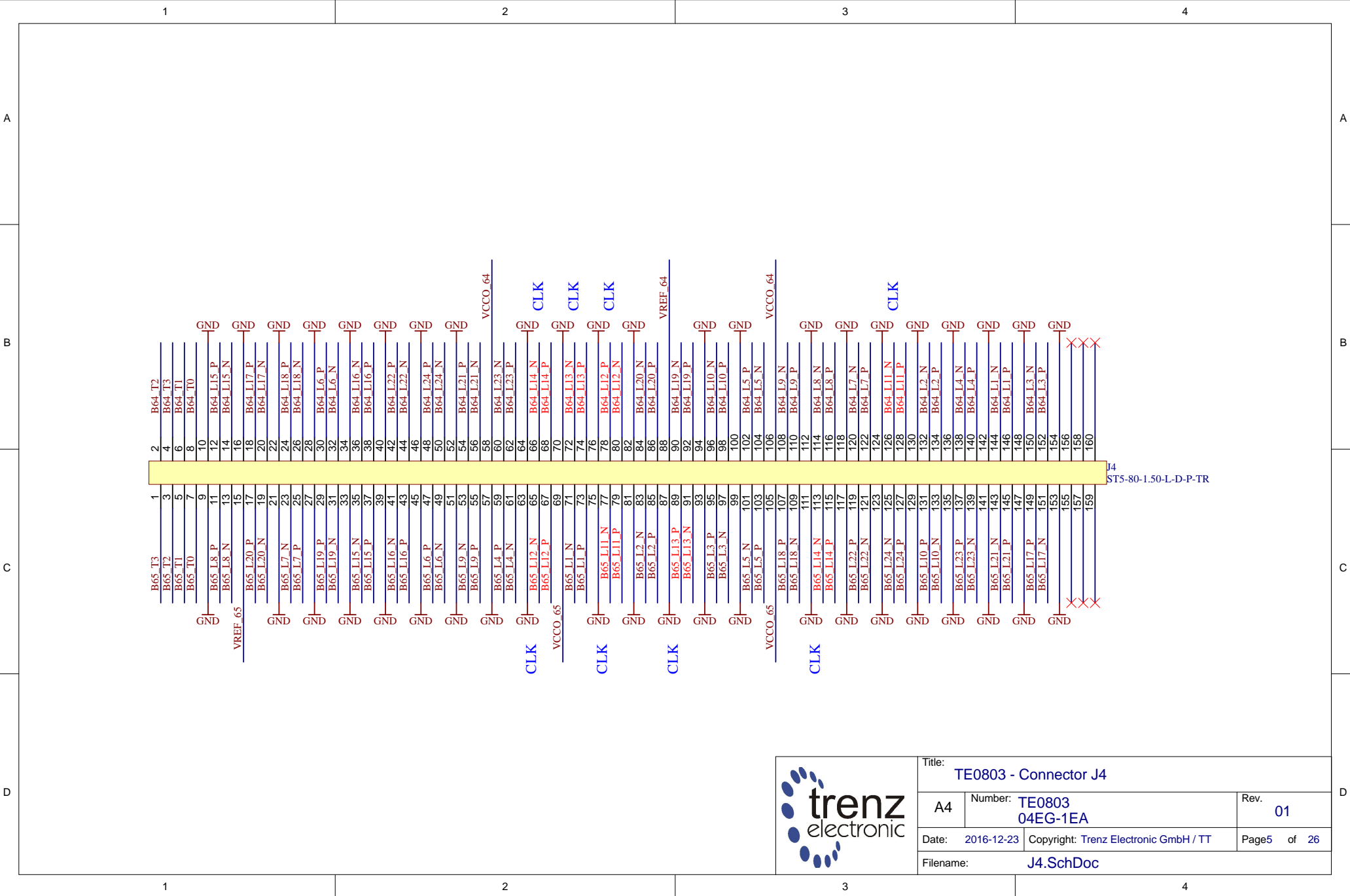


Title: TE0803 - Connector J2		
A4	Number: TE0803 04EG-1EA	Rev. 01
Date: 2016-12-23	Copyright: Trenz Electronic GmbH / TT	Page3 of 26
Filename: J2.SchDoc		



**trenz electronic**

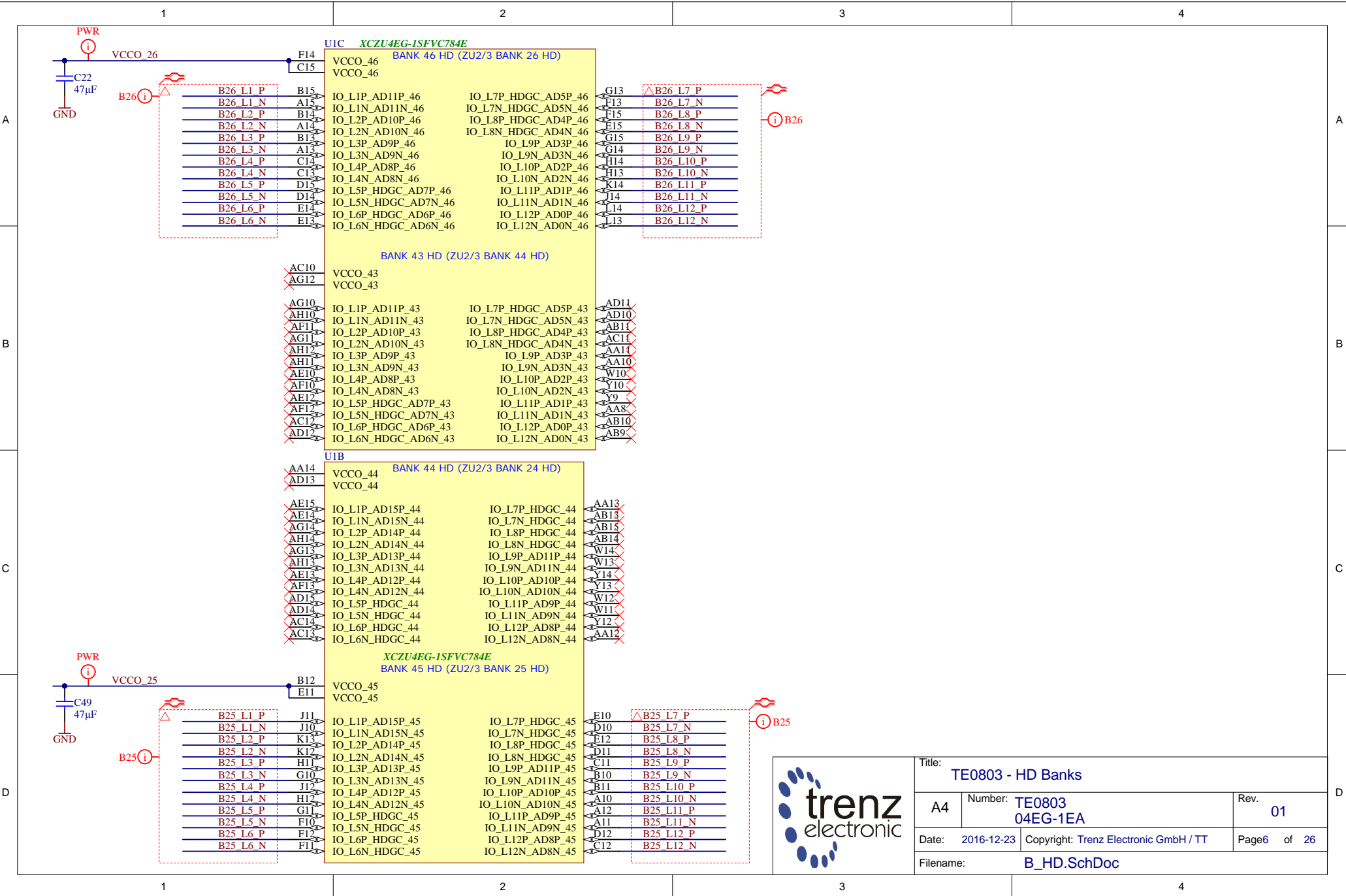
Title: TE0803 - Connector J3		
A4	Number: TE0803 04EG-1EA	Rev. 01
Date: 2016-12-23	Copyright: Trenz Electronic GmbH / TT	Page4 of 26
Filename: J3.SchDoc		



J4  
ST5-80-1.50-L-D-P-TR



Title: TE0803 - Connector J4		
A4	Number: TE0803 04EG-1EA	Rev. 01
Date: 2016-12-23	Copyright: Trenz Electronic GmbH / TT	Page5 of 26
Filename: J4.SchDoc		



**UIC XCZU4EG-1SFVC784E**  
**BANK 46 HD (ZU2/3 BANK 26 HD)**

VCCO_46	BANK 46 HD (ZU2/3 BANK 26 HD)	VCCO_46
VCCO_46		VCCO_46
IO_L1P_AD11P_46	IO_L7P_HDGC_AD5P_46	G13
IO_L1N_AD11N_46	IO_L7N_HDGC_AD5N_46	F13
IO_L2P_AD10P_46	IO_L8P_HDGC_AD4P_46	F15
IO_L2N_AD10N_46	IO_L8N_HDGC_AD4N_46	F15
IO_L3P_AD9P_46	IO_L9P_AD3P_46	G15
IO_L3N_AD9N_46	IO_L9N_AD3N_46	G14
IO_L4P_AD8P_46	IO_L10P_AD2P_46	H14
IO_L4N_AD8N_46	IO_L10N_AD2N_46	H13
IO_L5P_HDGC_AD7P_46	IO_L11P_AD1P_46	K14
IO_L5N_HDGC_AD7N_46	IO_L11N_AD1N_46	J14
IO_L6P_HDGC_AD6P_46	IO_L12P_AD0P_46	L14
IO_L6N_HDGC_AD6N_46	IO_L12N_AD0N_46	L13

**BANK 43 HD (ZU2/3 BANK 44 HD)**

VCCO_43		VCCO_43
VCCO_43		VCCO_43
IO_L1P_AD11P_43	IO_L7P_HDGC_AD5P_43	AD11
IO_L1N_AD11N_43	IO_L7N_HDGC_AD5N_43	AD10
IO_L2P_AD10P_43	IO_L8P_HDGC_AD4P_43	AB11
IO_L2N_AD10N_43	IO_L8N_HDGC_AD4N_43	AC11
IO_L3P_AD9P_43	IO_L9P_AD3P_43	AA11
IO_L3N_AD9N_43	IO_L9N_AD3N_43	AA10
IO_L4P_AD8P_43	IO_L10P_AD2P_43	W10
IO_L4N_AD8N_43	IO_L10N_AD2N_43	Y10
IO_L5P_HDGC_AD7P_43	IO_L11P_AD1P_43	Y9
IO_L5N_HDGC_AD7N_43	IO_L11N_AD1N_43	AA8
IO_L6P_HDGC_AD6P_43	IO_L12P_AD0P_43	AB10
IO_L6N_HDGC_AD6N_43	IO_L12N_AD0N_43	AB9

**UIB**  
**BANK 44 HD (ZU2/3 BANK 24 HD)**

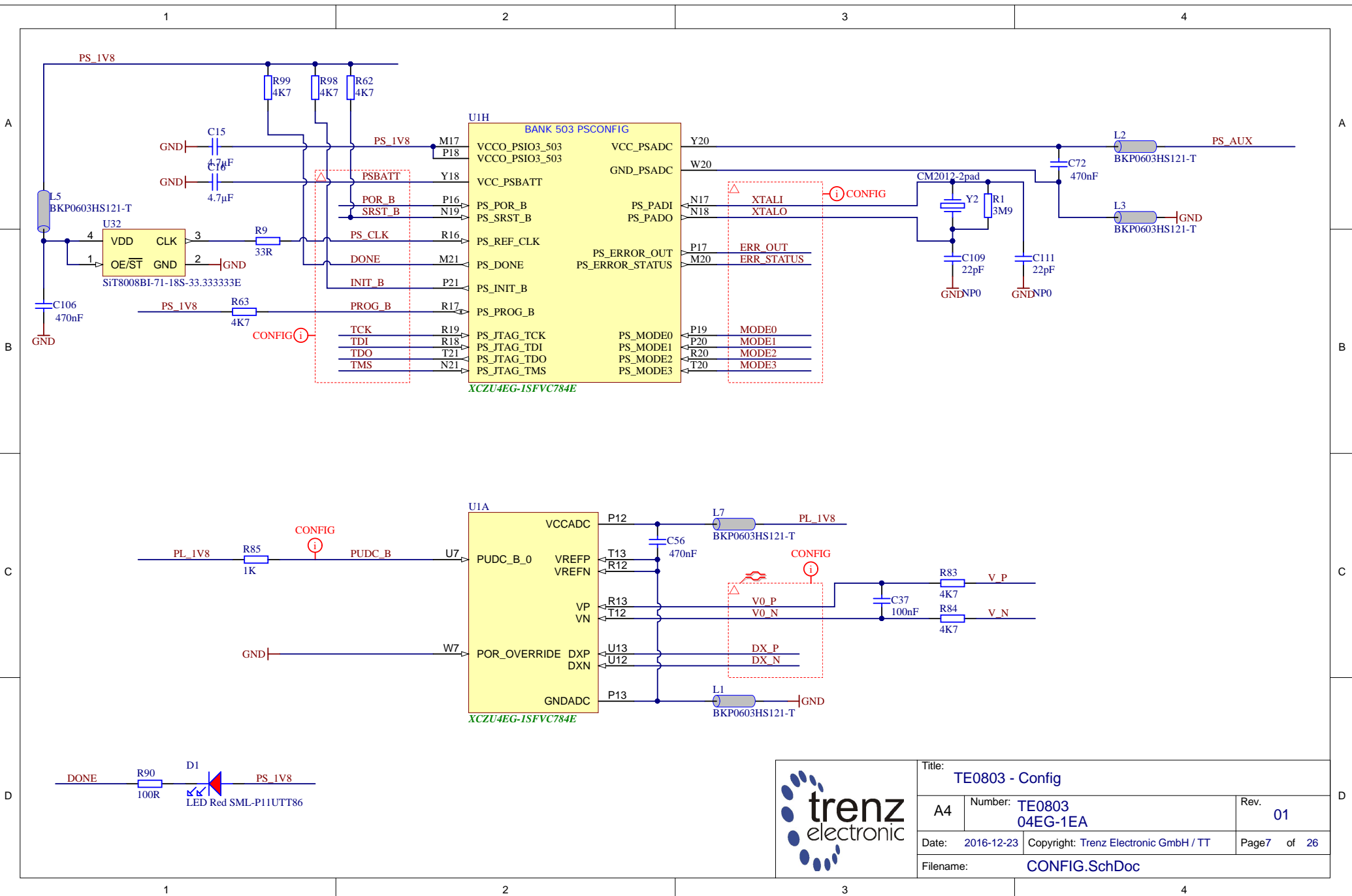
VCCO_44	BANK 44 HD (ZU2/3 BANK 24 HD)	VCCO_44
VCCO_44		VCCO_44
IO_L1P_AD15P_44	IO_L7P_HDGC_44	AA13
IO_L1N_AD15N_44	IO_L7N_HDGC_44	AB13
IO_L2P_AD14P_44	IO_L8P_HDGC_44	AB15
IO_L2N_AD14N_44	IO_L8N_HDGC_44	AB14
IO_L3P_AD13P_44	IO_L9P_AD11P_44	W14
IO_L3N_AD13N_44	IO_L9N_AD11N_44	W13
IO_L4P_AD12P_44	IO_L10P_AD10P_44	Y14
IO_L4N_AD12N_44	IO_L10N_AD10N_44	Y13
IO_L5P_HDGC_44	IO_L11P_AD9P_44	W12
IO_L5N_HDGC_44	IO_L11N_AD9N_44	W11
IO_L6P_HDGC_44	IO_L12P_AD8P_44	Y12
IO_L6N_HDGC_44	IO_L12N_AD8N_44	AA12

**XCZU4EG-1SFVC784E**  
**BANK 45 HD (ZU2/3 BANK 25 HD)**

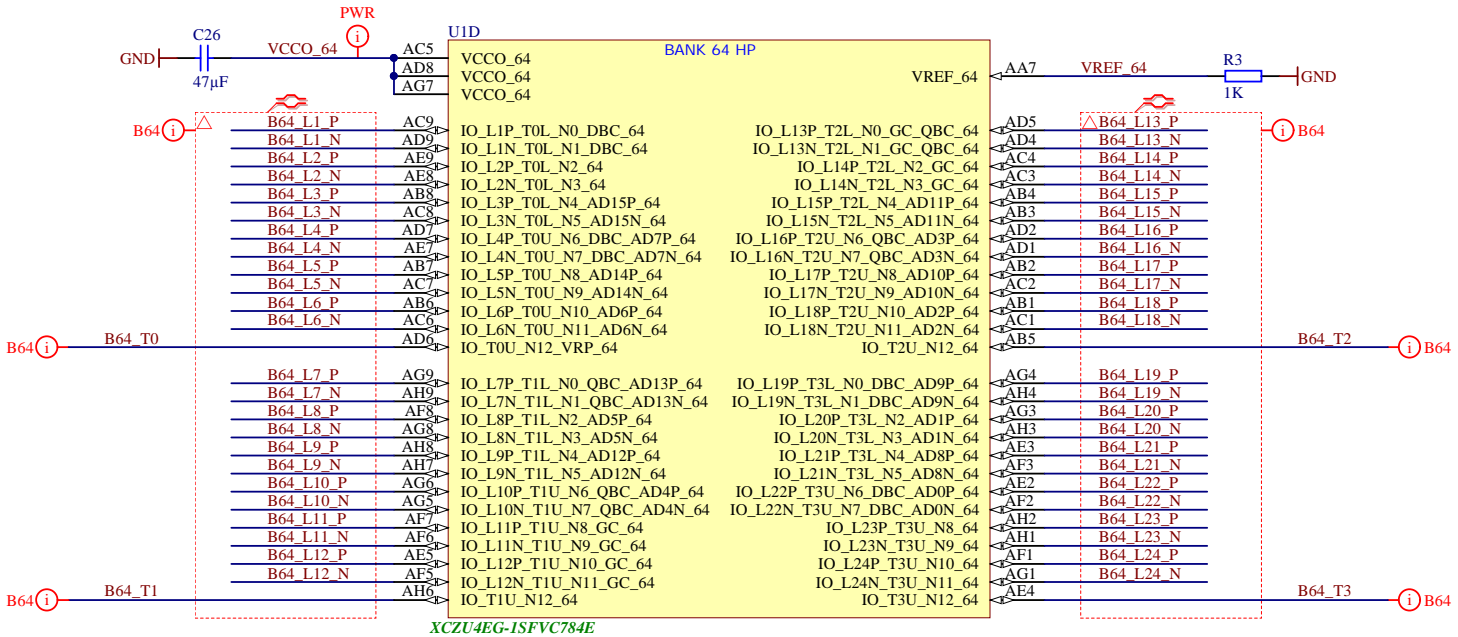
VCCO_45	BANK 45 HD (ZU2/3 BANK 25 HD)	VCCO_45
VCCO_45		VCCO_45
IO_L1P_AD15P_45	IO_L7P_HDGC_45	E10
IO_L1N_AD15N_45	IO_L7N_HDGC_45	D10
IO_L2P_AD14P_45	IO_L8P_HDGC_45	E12
IO_L2N_AD14N_45	IO_L8N_HDGC_45	D11
IO_L3P_AD13P_45	IO_L9P_AD11P_45	C11
IO_L3N_AD13N_45	IO_L9N_AD11N_45	B10
IO_L4P_AD12P_45	IO_L10P_AD10P_45	B11
IO_L4N_AD12N_45	IO_L10N_AD10N_45	A10
IO_L5P_HDGC_45	IO_L11P_AD9P_45	A12
IO_L5N_HDGC_45	IO_L11N_AD9N_45	A11
IO_L6P_HDGC_45	IO_L12P_AD8P_45	D12
IO_L6N_HDGC_45	IO_L12N_AD8N_45	C12



Title: TE0803 - HD Banks		
A4	Number: TE0803 04EG-1EA	Rev. 01
Date: 2016-12-23	Copyright: Trenz Electronic GmbH / TT	Page6 of 26
Filename: B_HD.SchDoc		



Title: TE0803 - Config		
A4	Number: TE0803 04EG-1EA	Rev. 01
Date: 2016-12-23	Copyright: Trenz Electronic GmbH / TT	Page7 of 26
Filename: CONFIG.SchDoc		



	Title: TE0803 - B64		
	A4	Number: TE0803 04EG-1EA	Rev. 01
	Date: 2016-12-23	Copyright: Trenz Electronic GmbH / TT	Page8 of 26
	Filename: B64.SchDoc		



1

2

3

4

A

A

B

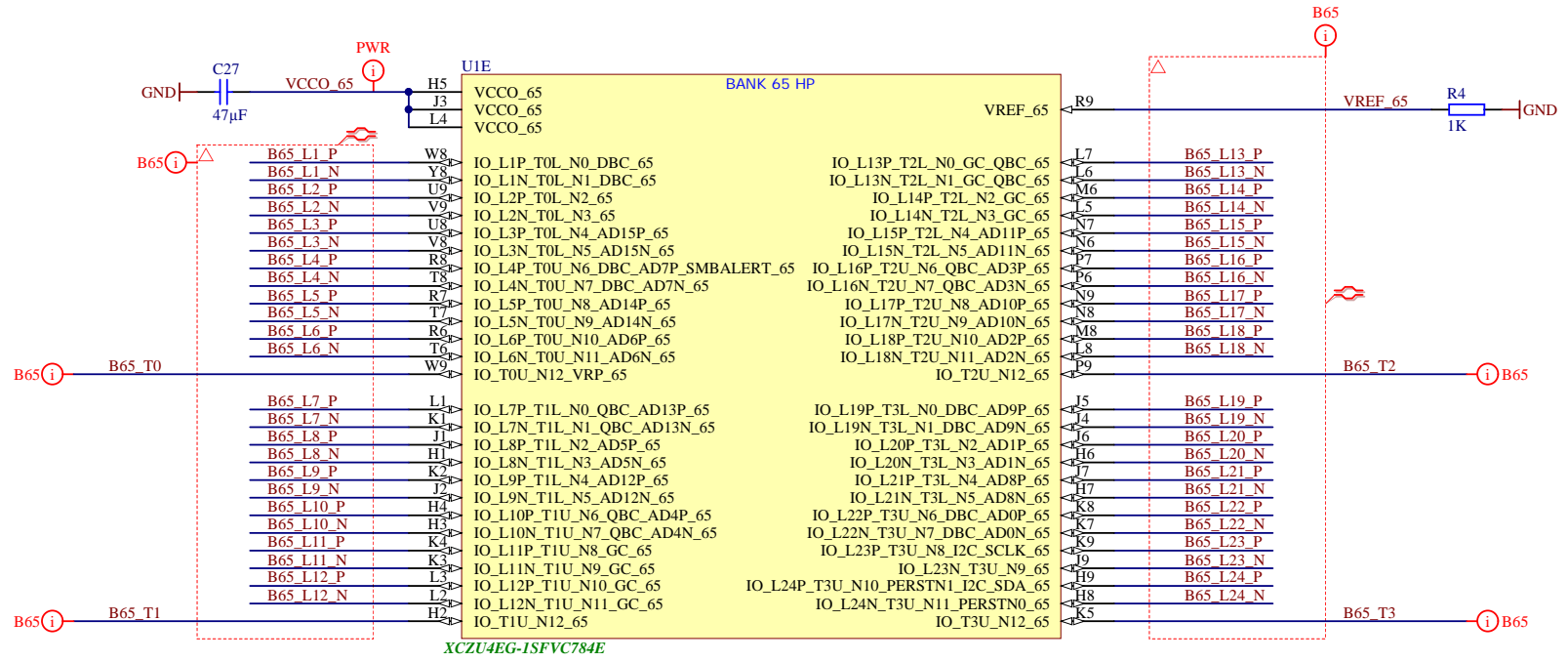
B

C

C

D

D



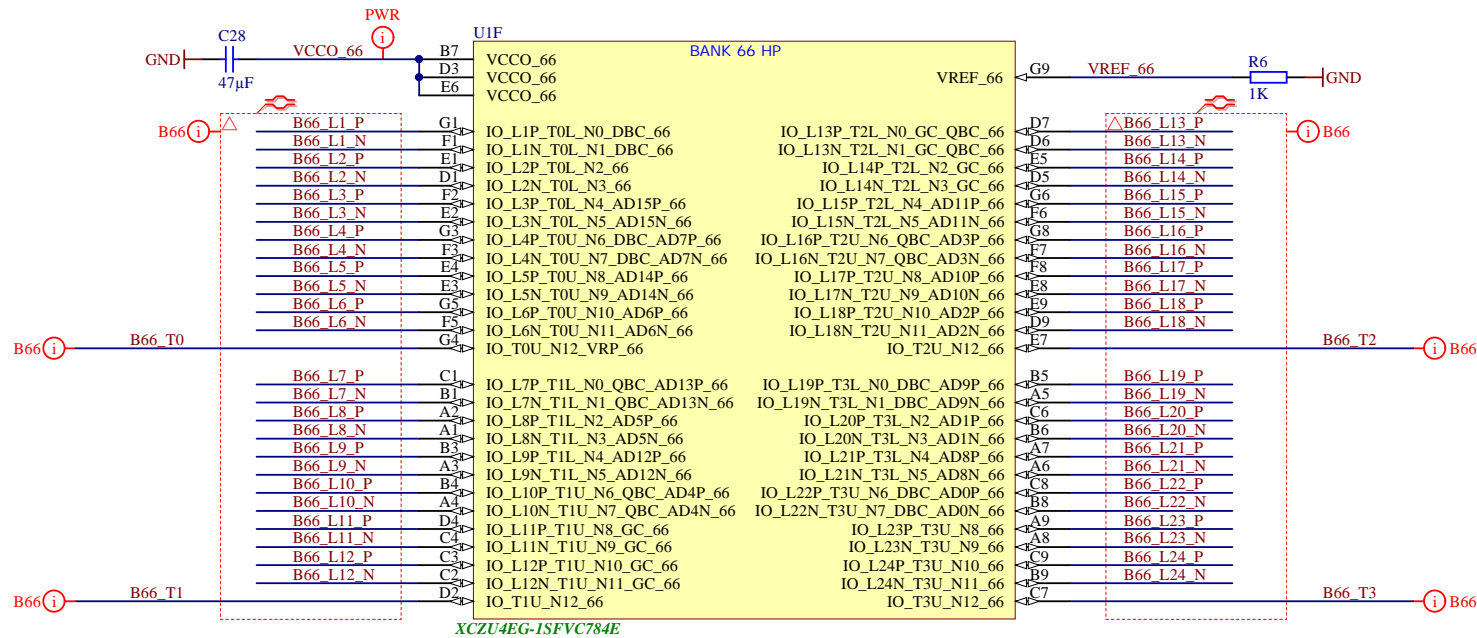
	Title: <b>TE0803 - B65</b>		
	A4	Number: <b>TE0803 04EG-1EA</b>	Rev. <b>01</b>
	Date: 2016-12-23	Copyright: Trenz Electronic GmbH / TT	Page9 of 26
	Filename: <b>B65.SchDoc</b>		


1

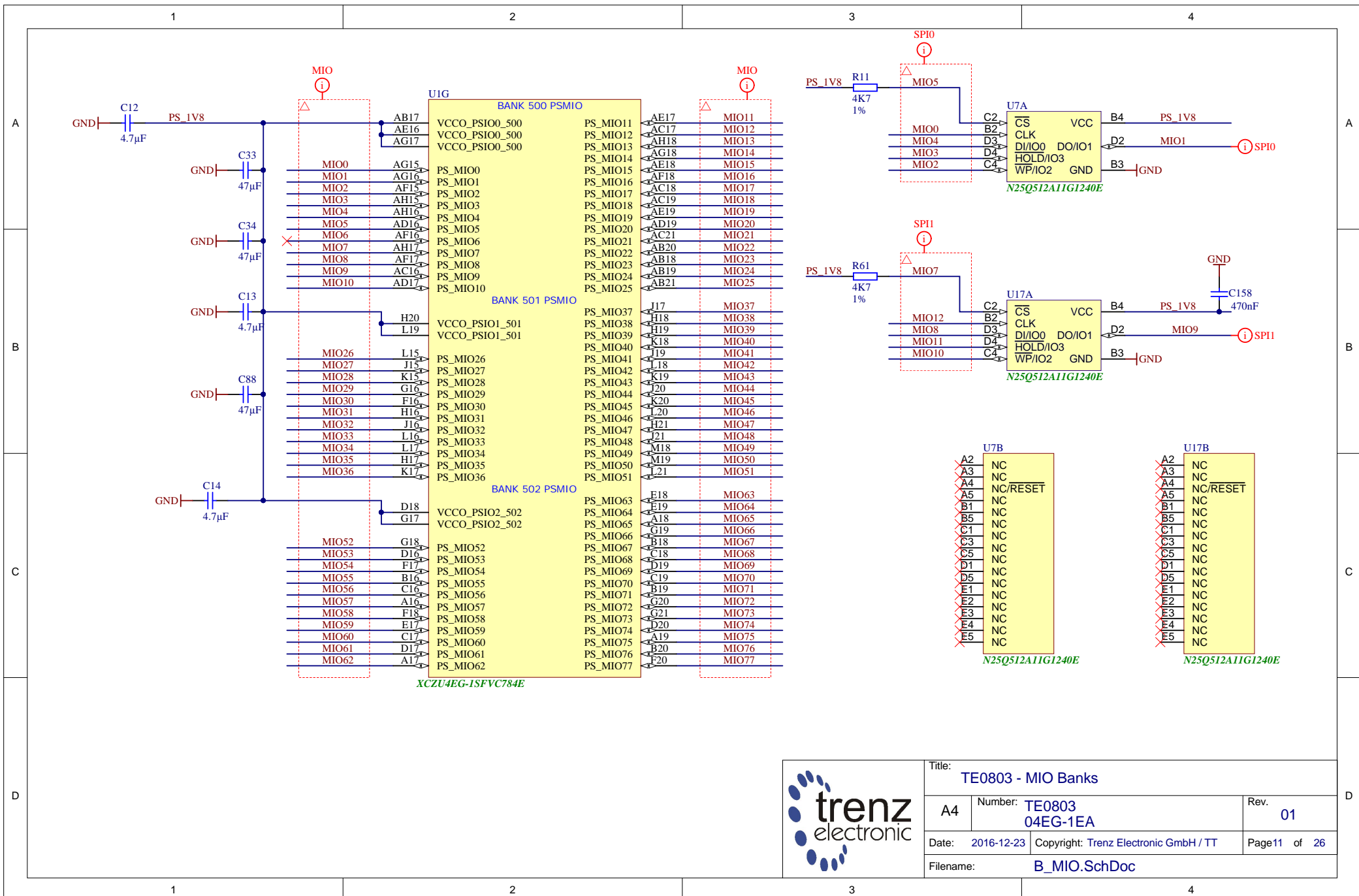
2

3

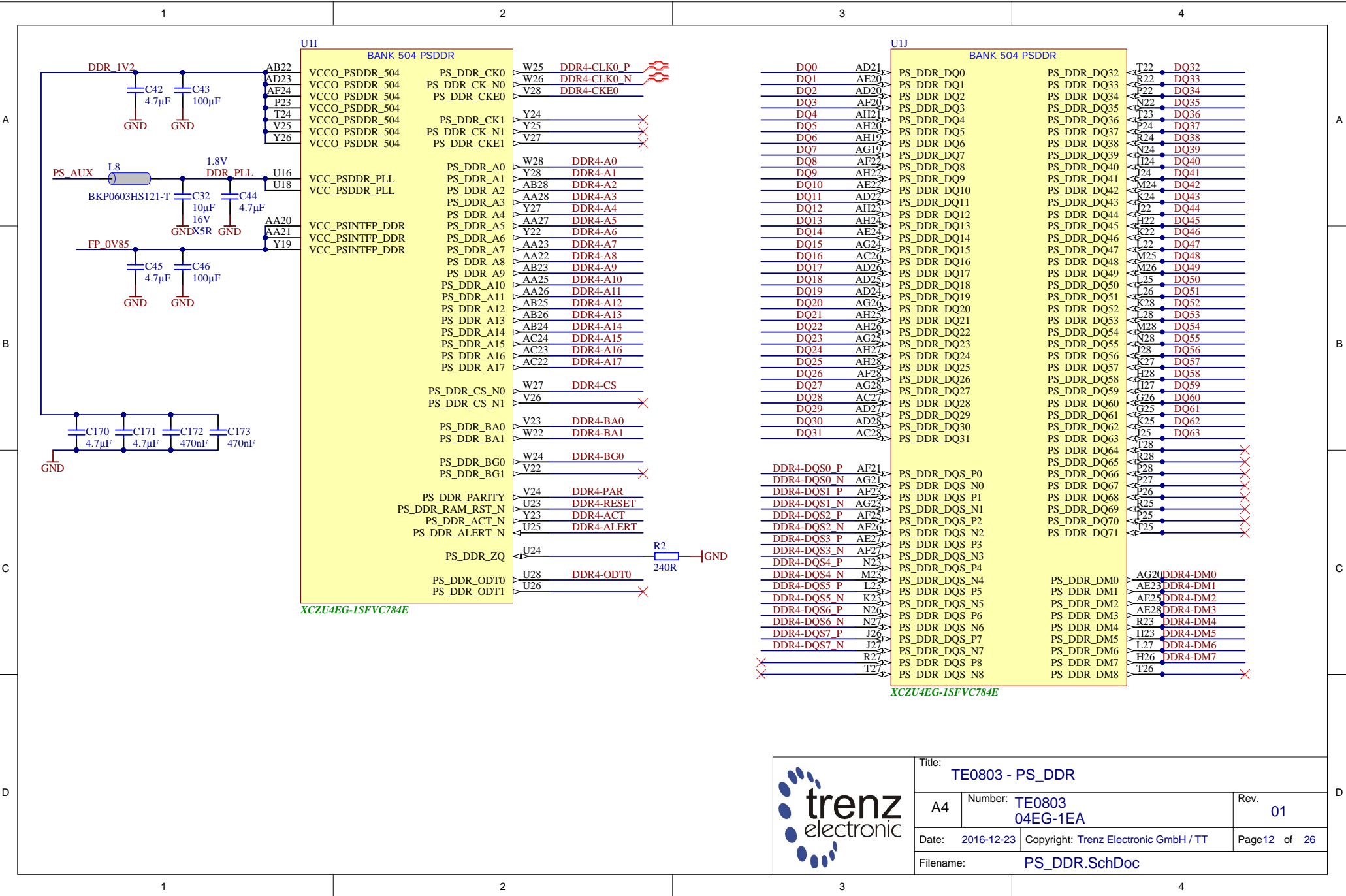
4



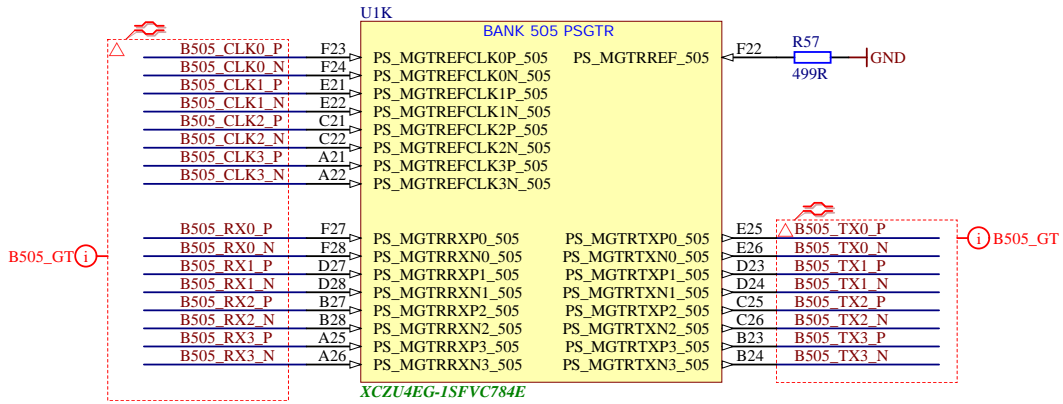
	Title: TE0803 - B66		
	A4	Number: TE0803 04EG-1EA	Rev. 01
	Date: 2016-12-23	Copyright: Trenz Electronic GmbH / TT	Page 10 of 26
	Filename: B66.SchDoc		




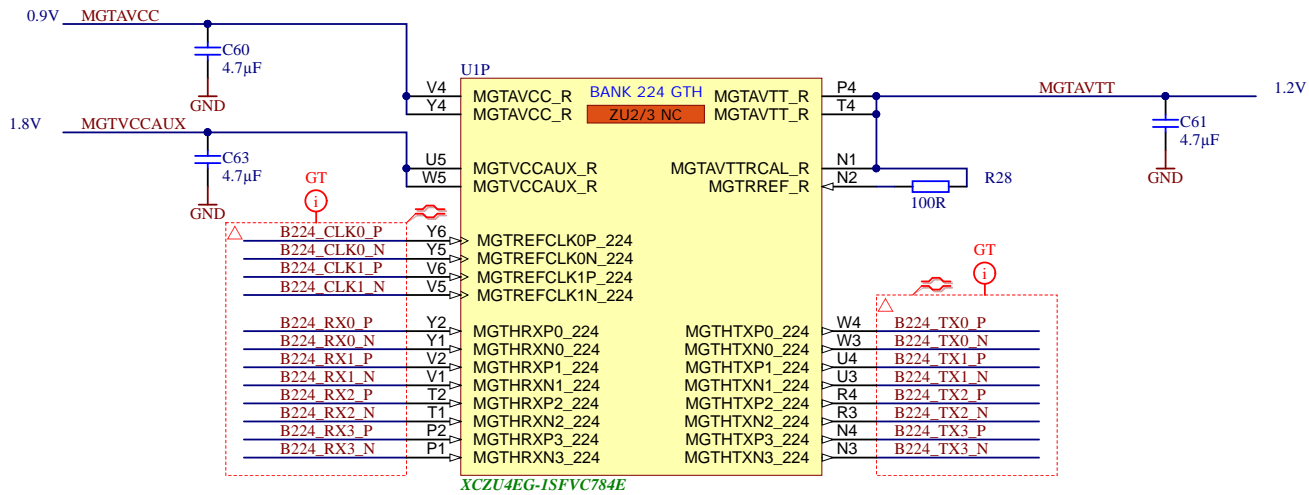
Title: <b>TE0803 - MIO Banks</b>		
A4	Number: <b>TE0803 04EG-1EA</b>	Rev. <b>01</b>
Date: 2016-12-23	Copyright: Trenz Electronic GmbH / TT	Page 11 of 26
Filename: <b>B_MIO.SchDoc</b>		



Title: TE0803 - PS_DDR		
A4	Number: TE0803 04EG-1EA	Rev. 01
Date: 2016-12-23	Copyright: Trenz Electronic GmbH / TT	Page 12 of 26
Filename: PS_DDR.SchDoc		



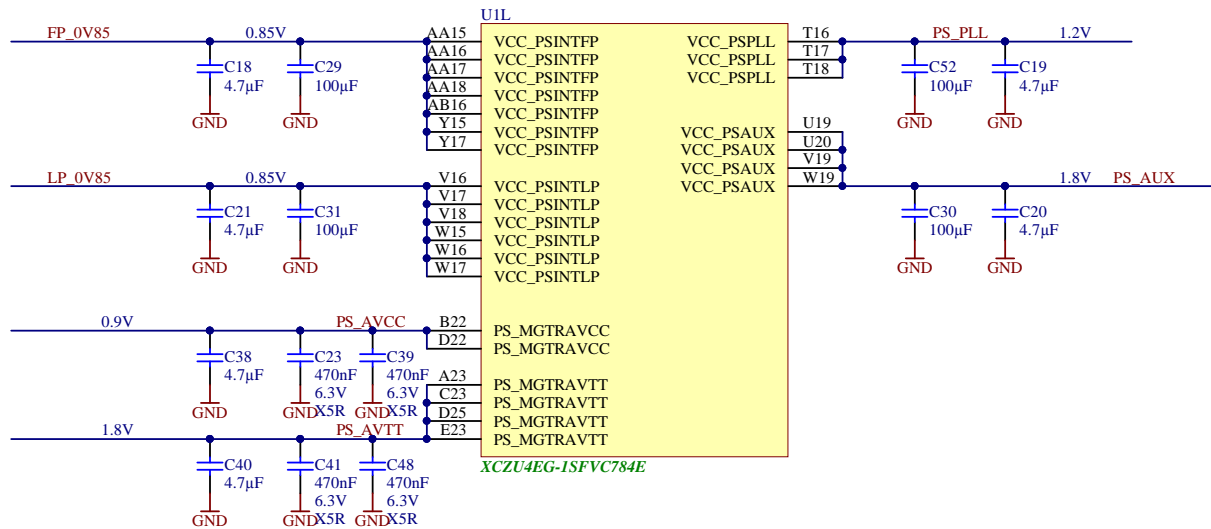
		Title: TE0803 - PS_GT	
		A4	Number: TE0803 04EG-1EA
Date: 2016-12-23		Copyright: Trenz Electronic GmbH / TT	
Filename: B_PS_GT.SchDoc		Page13 of 26	



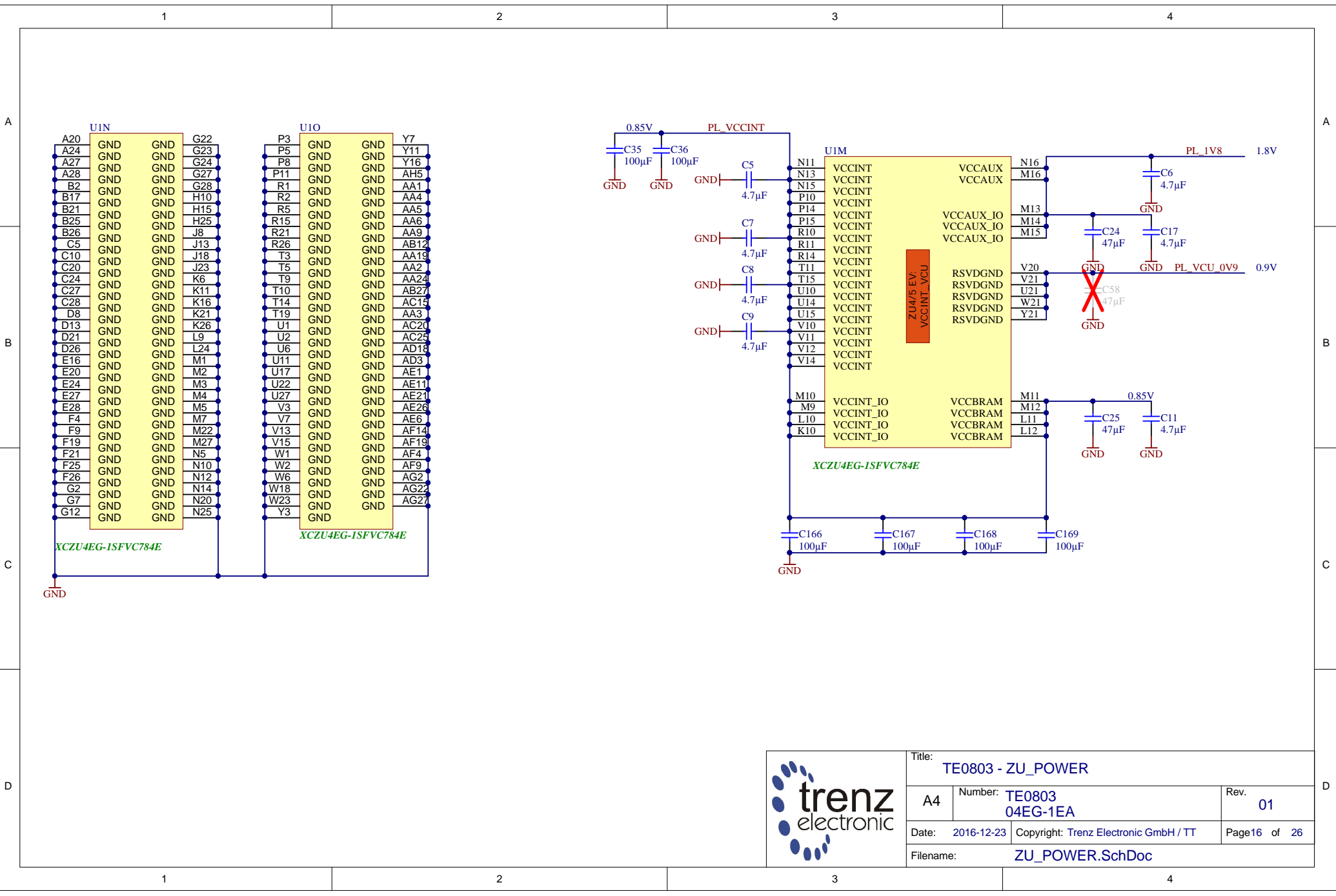
XZU4EG-1SFVC784E



Title: TE0803 - B224GTH		
A4	Number: TE0803 04EG-1EA	Rev. 01
Date: 2016-12-23	Copyright: Trenz Electronic GmbH / TT	Page 14 of 26
Filename: B_GT.SchDoc		



Title: TE0803 - ZU_PS_POWER		
A4	Number: TE0803 04EG-1EA	Rev. 01
Date: 2016-12-23	Copyright: Trenz Electronic GmbH / TT	Page 15 of 26
Filename: ZU_PS_POWER.SchDoc		



	Title: TE0803 - ZU_POWER	
	A4	Number: TE0803 04EG-1EA
	Date: 2016-12-23	Copyright: Trenz Electronic GmbH / TT
	Filename: ZU_POWER.SchDoc	Page 16 of 26
	Rev. 01	



1

2

3

4

A

A

B

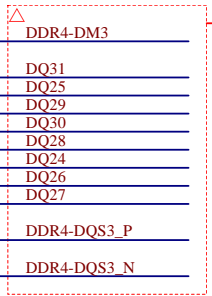
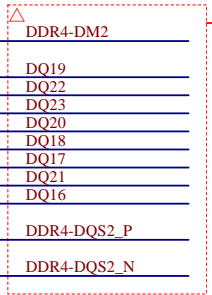
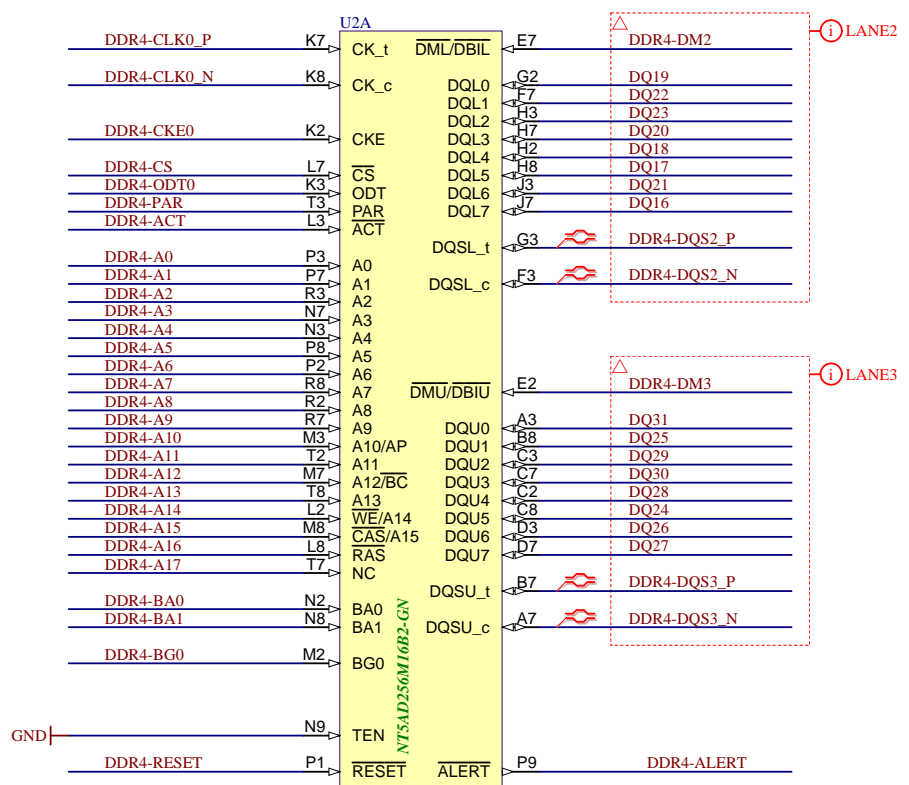
B

C

C

D

D



Title: TE0803 - DDR4_1_RAM		
A4	Number: TE0803 04EG-1EA	Rev. 01
Date: 2016-12-23	Copyright: Trenz Electronic GmbH / TT	Page 17 of 26
Filename: DDR4-RAM.SchDoc		

1

2

3

4

1

2

3

4

A

A

B

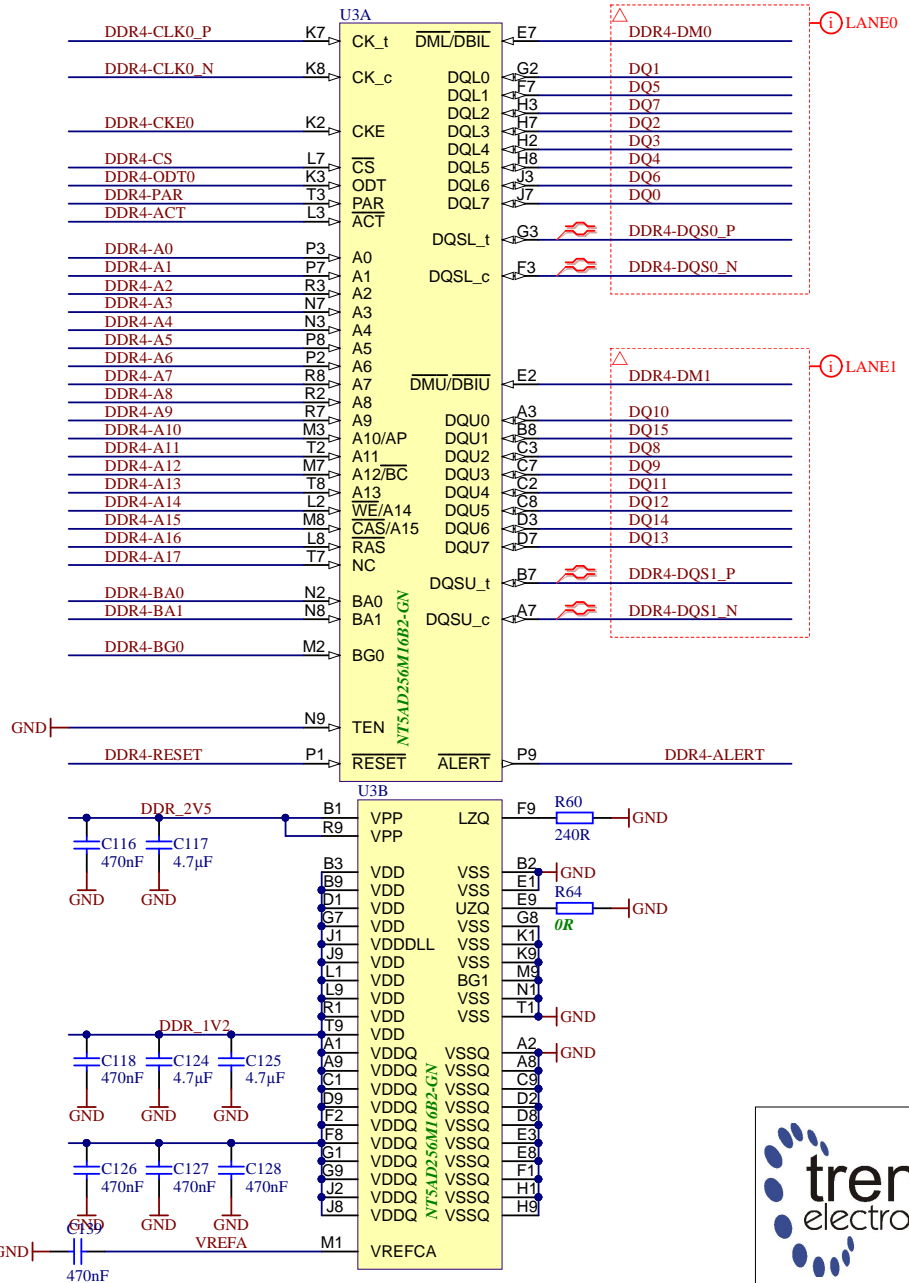
B

C

C

D

D



Title: TE0803 - DDR4_2_RAM		
A4	Number: TE0803 04EG-1EA	Rev. 01
Date: 2016-12-23	Copyright: Trenz Electronic GmbH / TT	Page18 of 26
Filename: DDR4-RAM_2.SchDoc		

1

2

3

4

1

2

3

4

A

A

B

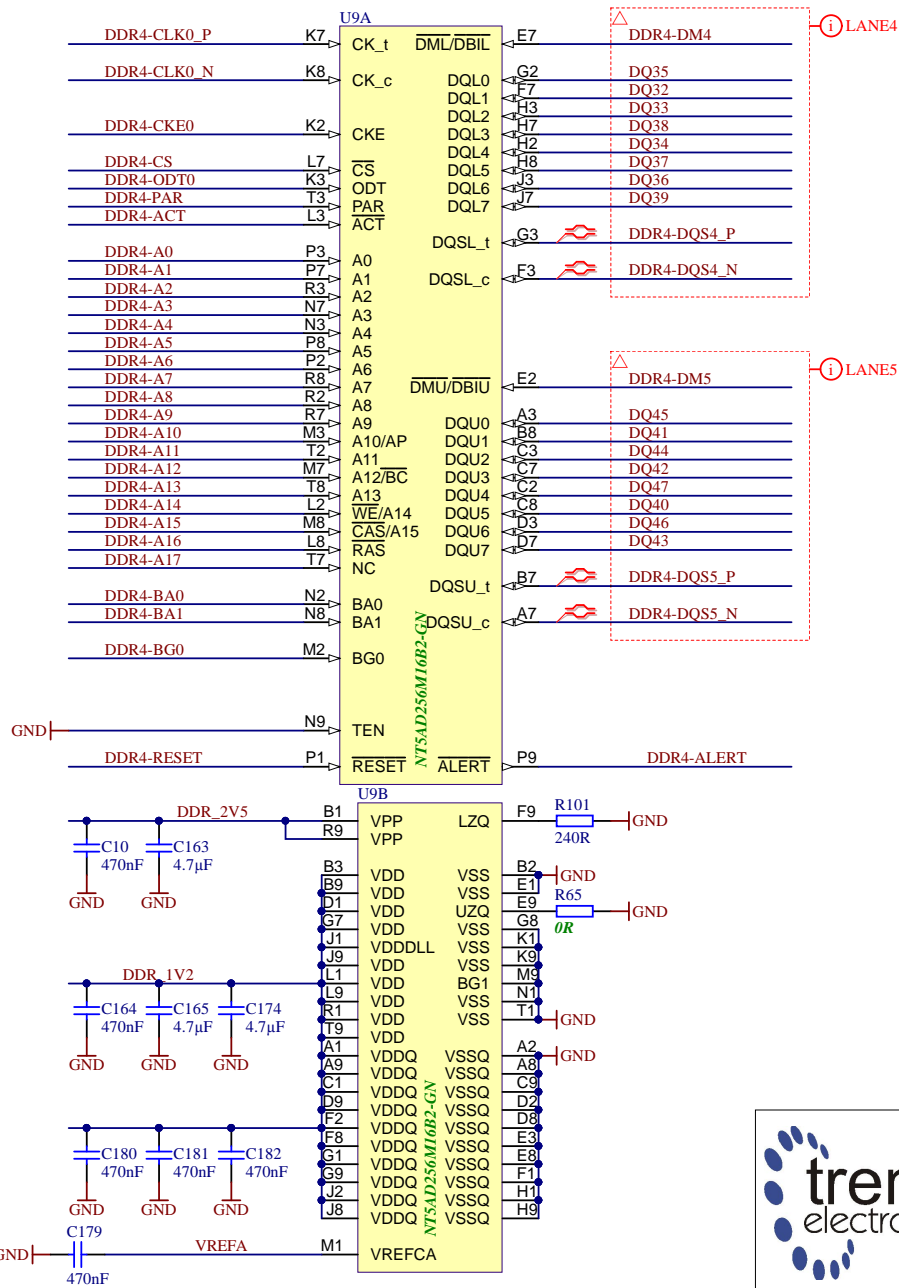
B

C

C

D

D



Title: TE0803 - DDR4_3_RAM		
A4	Number: TE0803 04EG-1EA	Rev. 01
Date: 2016-12-23	Copyright: Trenz Electronic GmbH / TT	Page 19 of 26
Filename: DDR4-RAM_3.SchDoc		

1

2

3

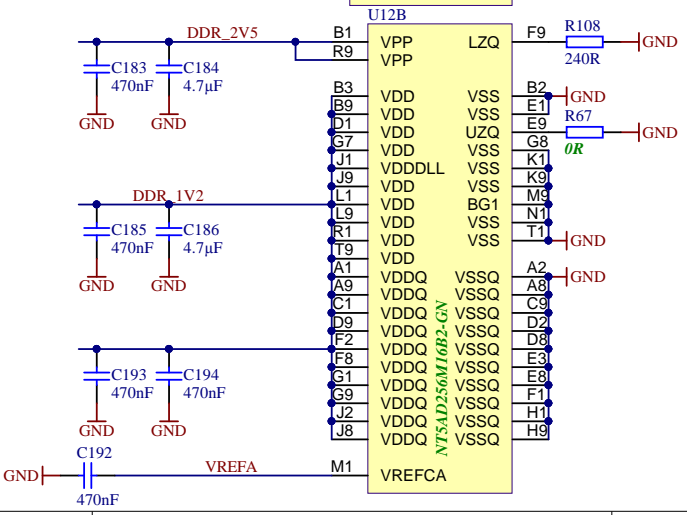
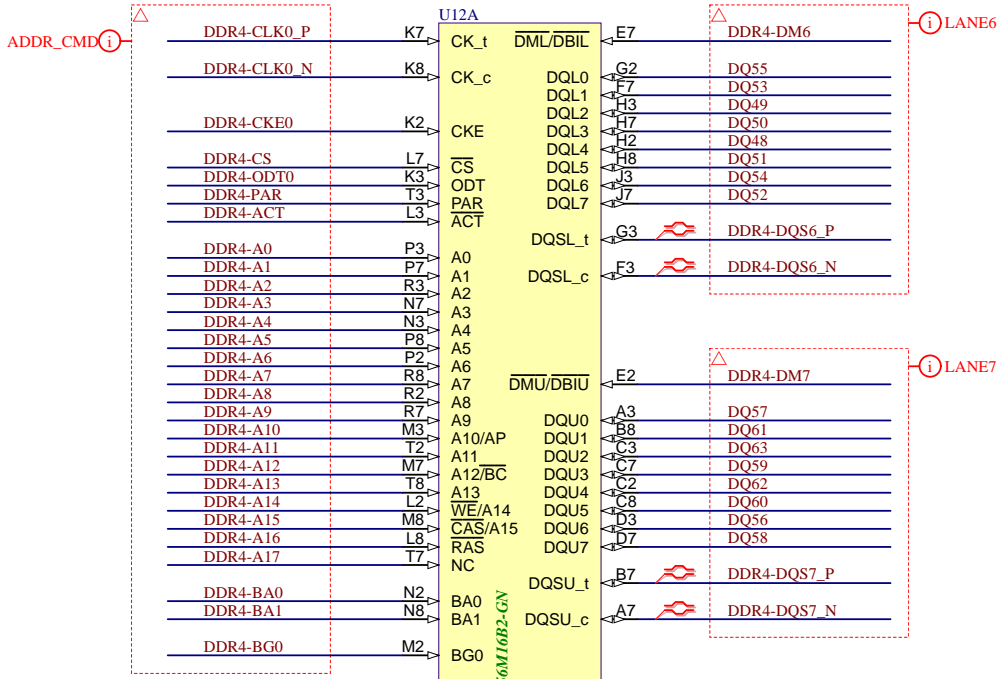
4

1

2

3

4



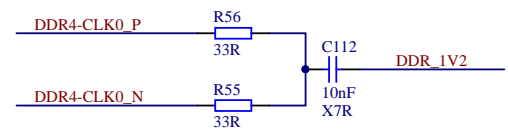
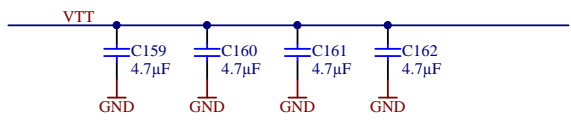
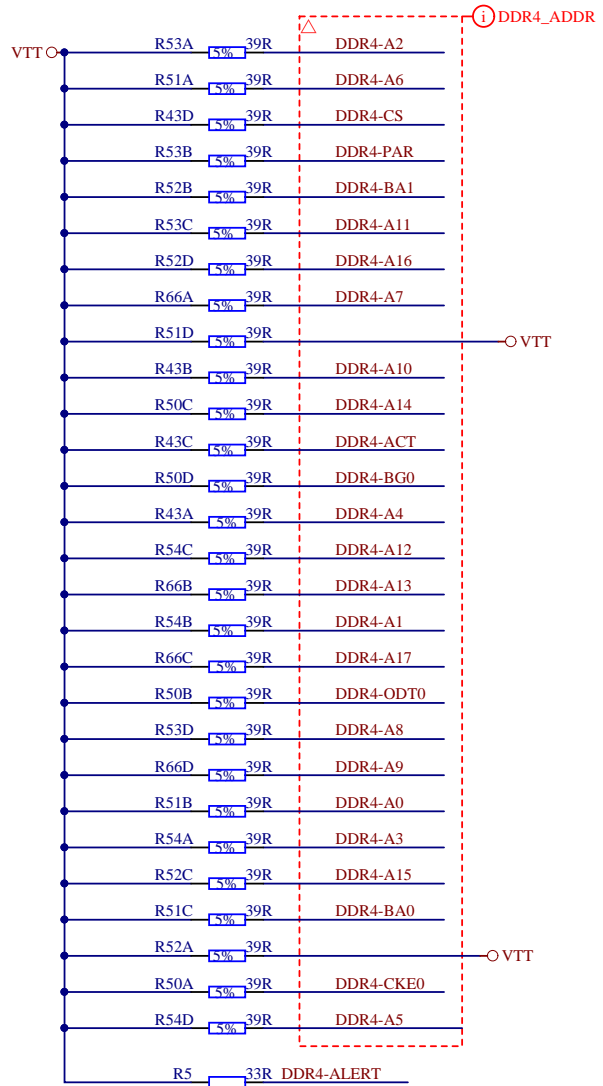
Title: TE0803 - DDR4_4_RAM		
A4	Number: TE0803 04EG-1EA	Rev. 01
Date: 2016-12-23	Copyright: Trenz Electronic GmbH / TT	Page20 of 26
Filename: DDR4-RAM_4.SchDoc		

1

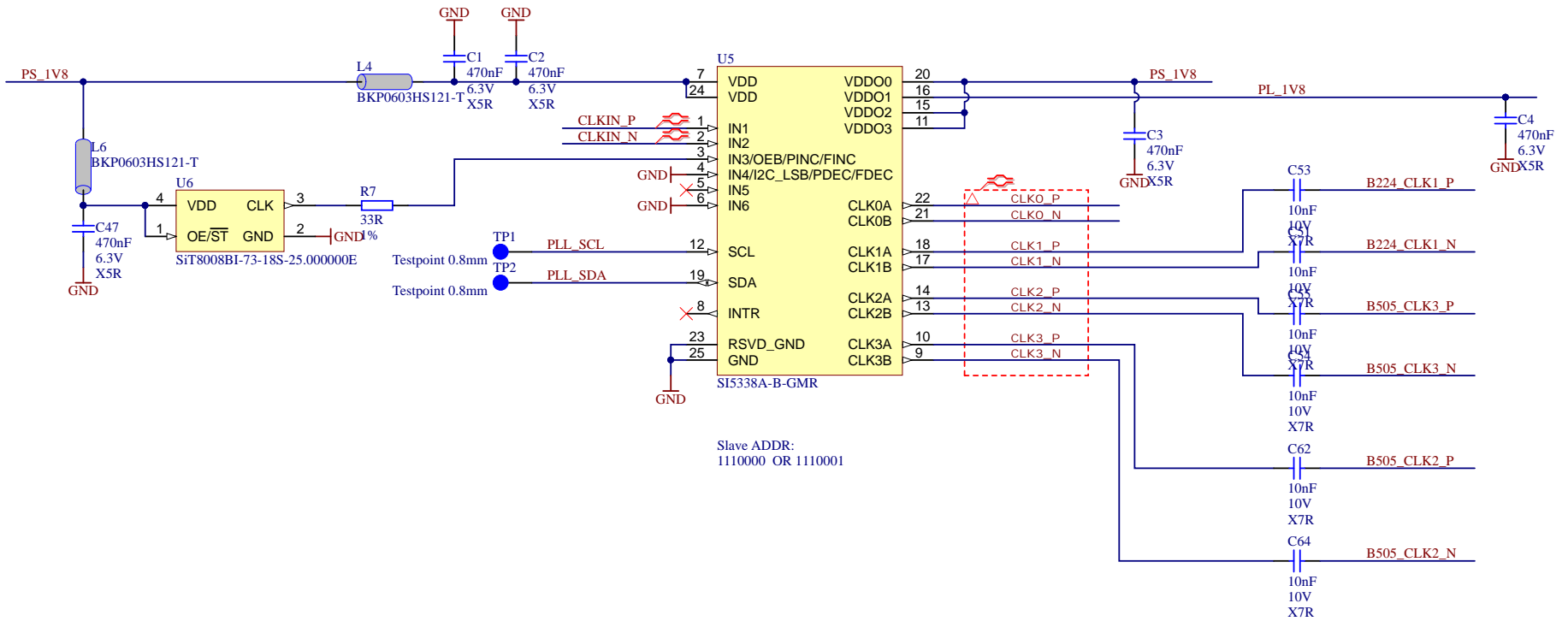
2

3

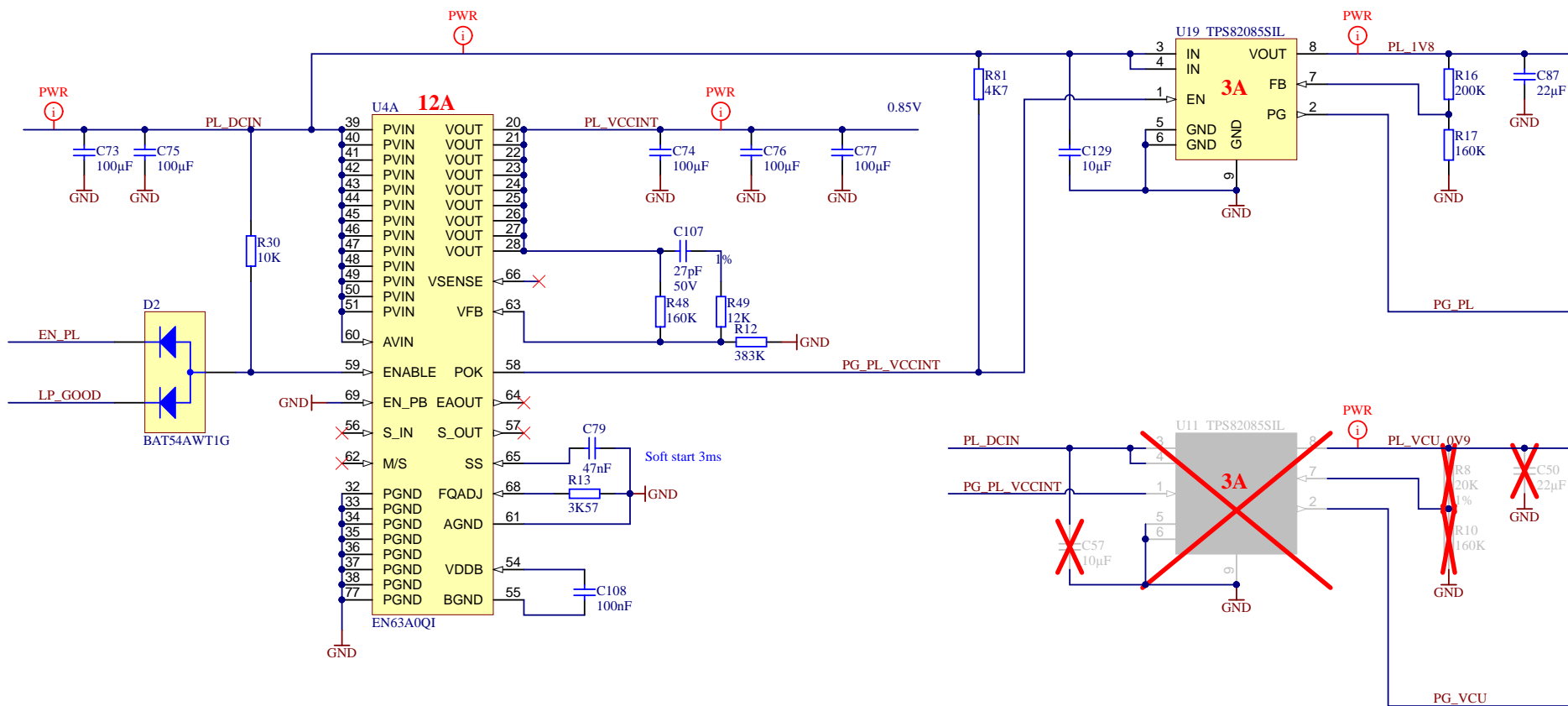
4



Title: TE0803 - DDR4_TERM		
A4	Number: TE0803 04EG-1EA	Rev. 01
Date: 2016-12-23	Copyright: Trenz Electronic GmbH / TT	Page21 of 26
Filename: DDR4-TERM.SchDoc		




Title: TE0803 - CLOCK		
A4	Number: TE0803 04EG-1EA	Rev. 01
Date: 2016-12-23	Copyright: Trenz Electronic GmbH / TT	Page22 of 26
Filename: Clock.SchDoc		



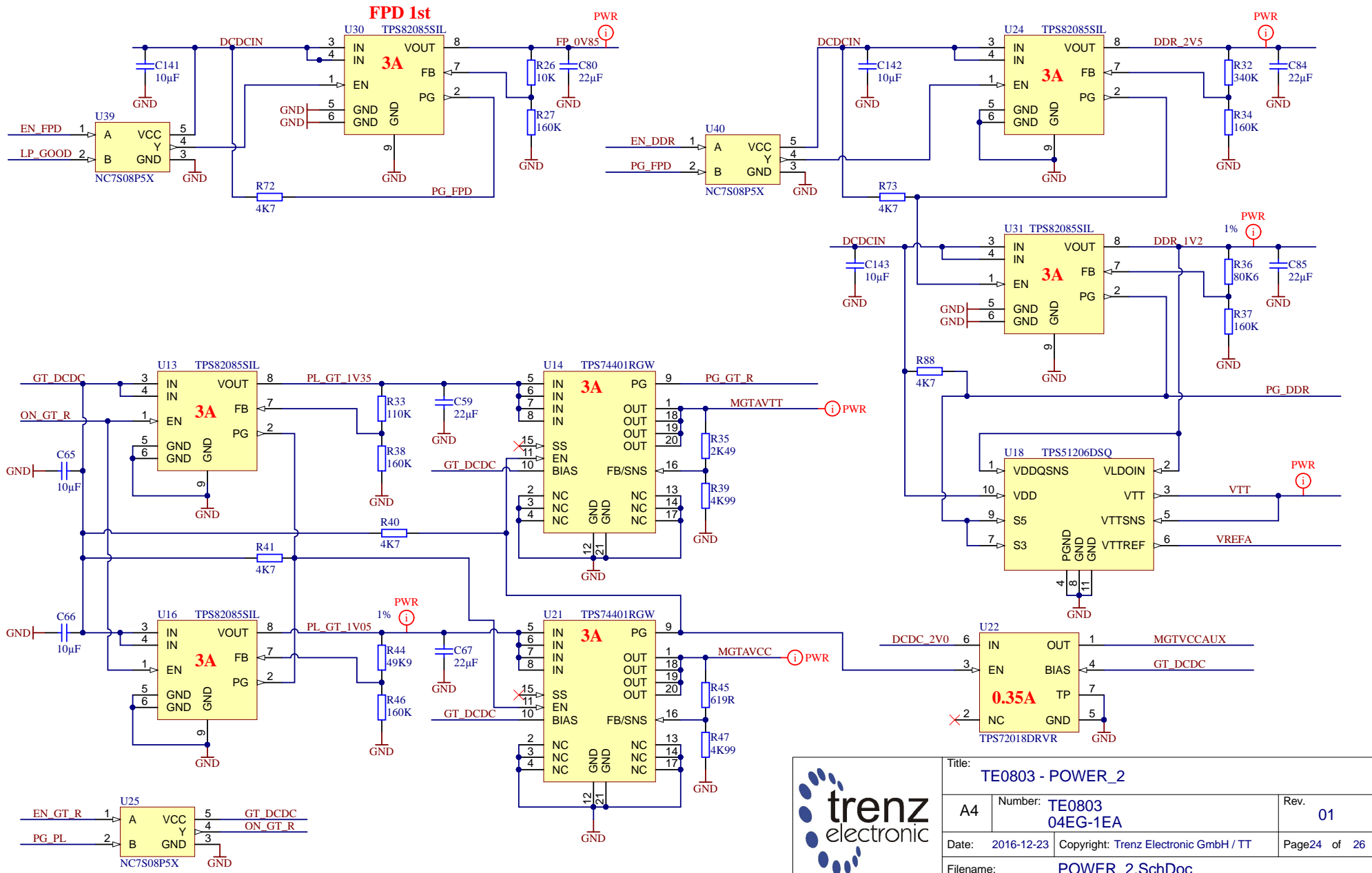
U4B

1	NC	NC	17
2	NC	NC	18
3	NC	NC	19
4	NC	NC	29
5	NC	NC	30
6	NC	NC(SW)	31
7	NC	NC(SW)	52
8	NC	NC	53
9	NC	NC	67
10	NC	NC(SW)	70
11	NC	NC(SW)	71
12	NC	NC(SW)	72
13	NC	NC	73
14	NC	NC	74
15	NC	NC	75
16	NC	NC	76

EN63A0QI

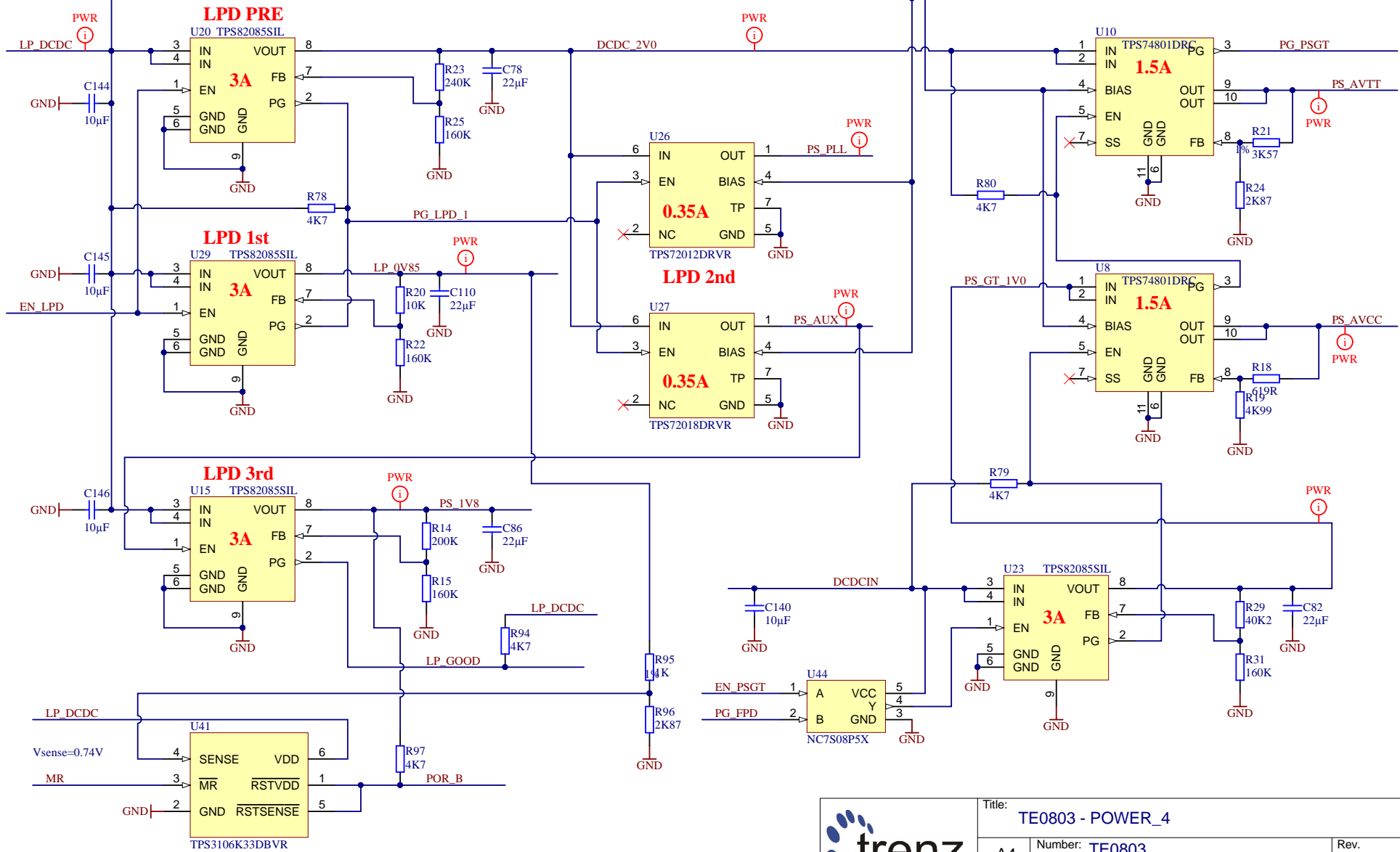


Title: TE0803 - POWER		
A4	Number: TE0803 04EG-1EA	Rev. 01
Date: 2016-12-23	Copyright: Trenz Electronic GmbH / TT	Page23 of 26
Filename: POWER.SchDoc		



Title: TE0803 - POWER_2		
A4	Number: TE0803 04EG-1EA	Rev. 01
Date: 2016-12-23	Copyright: Trenz Electronic GmbH / TT	Page24 of 26
Filename: POWER_2.SchDoc		





Title: TE0803 - POWER_4		
A4	Number: TE0803 04EG-1EA	Rev. 01
Date: 2016-12-23	Copyright: Trenz Electronic GmbH / TT	Page25 of 26
Filename: POWER_4.SchDoc		

1

2

3

4

CHANGES REV01a (20.11.2017):

1) VCU voltage set to 0.9V, R20 changed to 40K , PL\_VCU\_1V0 renamed to PL\_VCU\_0V9.

A

A

B

B

C

C

D

D



Title: TE0803 - Changes list		
A4	Number: TE0803 04EG-1EA	Rev. 01
Date: 2017-01-27	Copyright: Trenz Electronic GmbH	Page 26 of 26
Filename: Revision_Changes.SchDoc		

1

2

3

4