

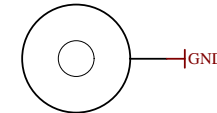
1

2

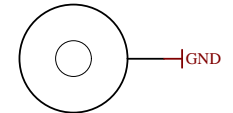
3

4

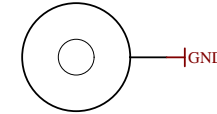
U_J1 J1.SchDoc	U_B_PS_GT B_PS_GT.SchDoc	U_DDR4-TERM DDR4-TERM.SchDoc
U_J2 J2.SchDoc	U_PS_DDR PS_DDR.SchDoc	U_ZU_POWER ZU_POWER.SchDoc
U_J3 J3.SchDoc	U_B_MIO B_MIO.SchDoc	U_ZU_PS_POWER ZU_PS_POWER.SchDoc
U_J4 J4.SchDoc	U_B_HD B_HD.SchDoc	U_POWER POWER.SchDoc
U_DDR4-TERM DDR4-TERM.SchDoc	U_Clock Clock.SchDoc	U_POWER_2 POWER_2.SchDoc
U_B64 B64.SchDoc	U_CONFIG CONFIG.SchDoc	
U_B65 B65.SchDoc	U_DDR4-RAM DDR4-RAM.SchDoc	U_POWER_4 POWER_4.SchDoc
U_B66 B66.SchDoc	U_DDR4-RAM_2 DDR4-RAM_2.SchDoc	U_REV_CH Revision_Changes.SchDoc
U_B_GT B_GT.SchDoc	U_DDR4-RAM_3 DDR4-RAM_3.SchDoc	
	U_DDR4-RAM_4 DDR4-RAM_4.SchDoc	



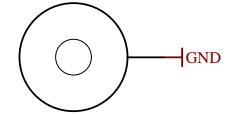
Mount.Hole 3.2mm für Unterlegscheibe



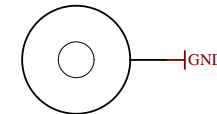
Mount.Hole 3.2mm für Unterlegscheibe



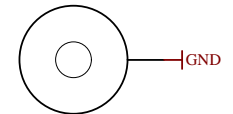
Mount.Hole 3.2mm für Unterlegscheibe



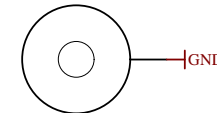
Mount.Hole 3.2mm für Unterlegscheibe



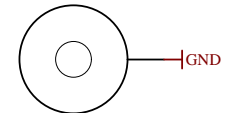
Mount.Hole 3.2mm für Unterlegscheibe



Mount.Hole 3.2mm für Unterlegscheibe



Mount.Hole 3.2mm für Unterlegscheibe



Mount.Hole 3.2mm für Unterlegscheibe

FIDU-DOT - small



PM1 FIDU-DOT - small



PM3 FIDU-DOT - small



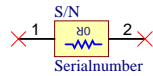
PM5 FIDU-DOT - small

LOGO1

TE Logo PRINT Layer

LOGO PRINT

Serial
Serial
Serialnumber 6,3 x 6.3mm



Title: TE0803		
A4	Number: TE0803 04EG-1IB	Rev. 01
Date: 2016-12-23	Copyright: Trenz Electronic GmbH / TT	Page1 of 26
Filename: TE0803.SchDoc		

1

2

3

4

A

A

B

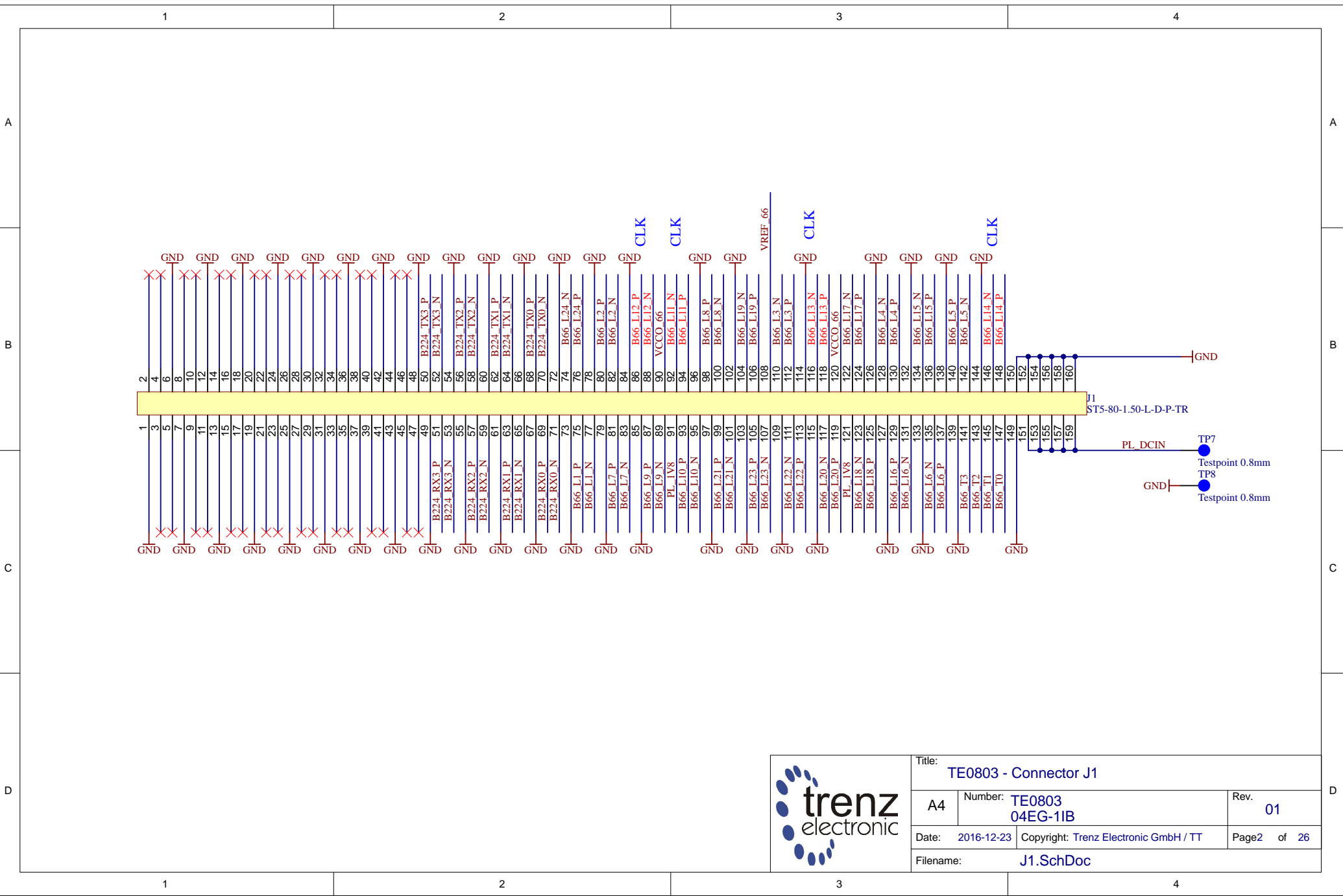
B

C

C

D

D



Title: TE0803 - Connector J1		
A4	Number: TE0803 04EG-11B	Rev. 01
Date: 2016-12-23	Copyright: Trenz Electronic GmbH / TT	Page2 of 26
Filename: J1.SchDoc		

1

2

3

4

A

A

B

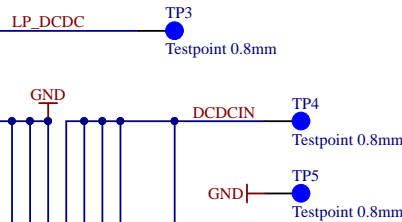
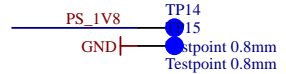
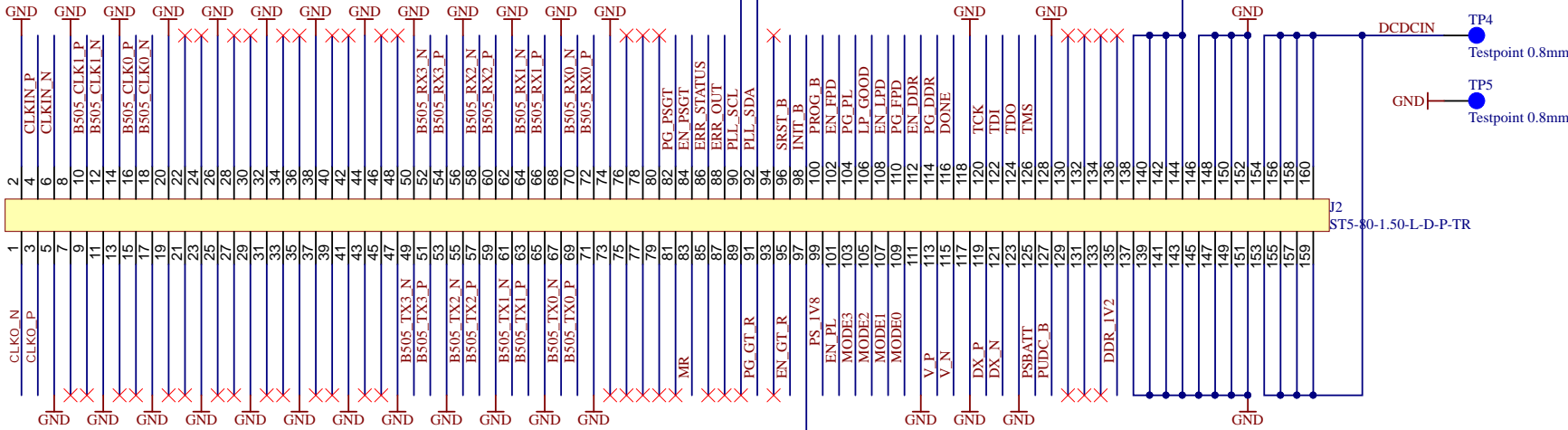
B

C

C

D

D



1

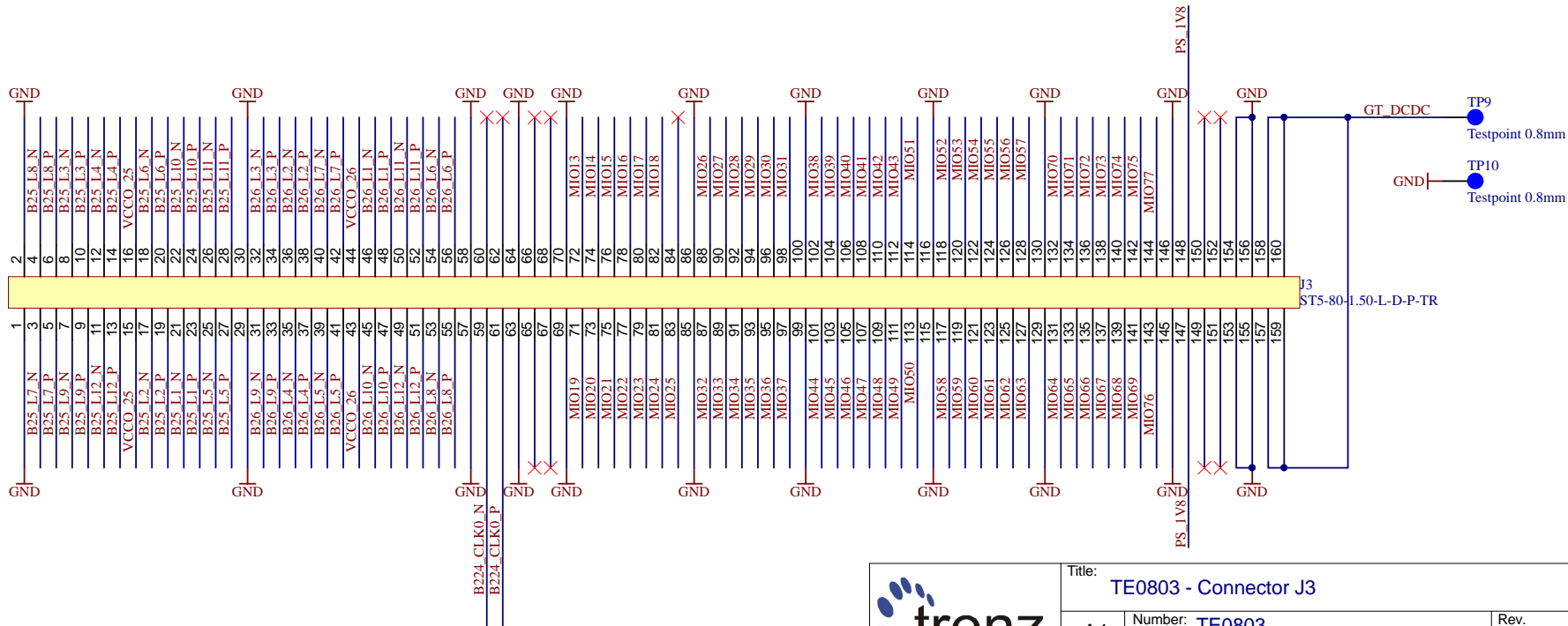
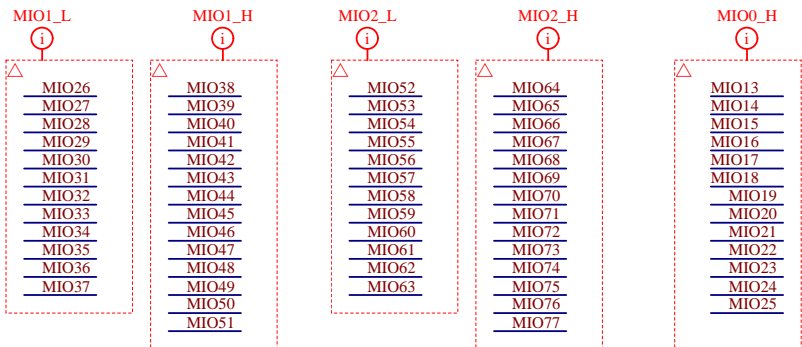
2

3

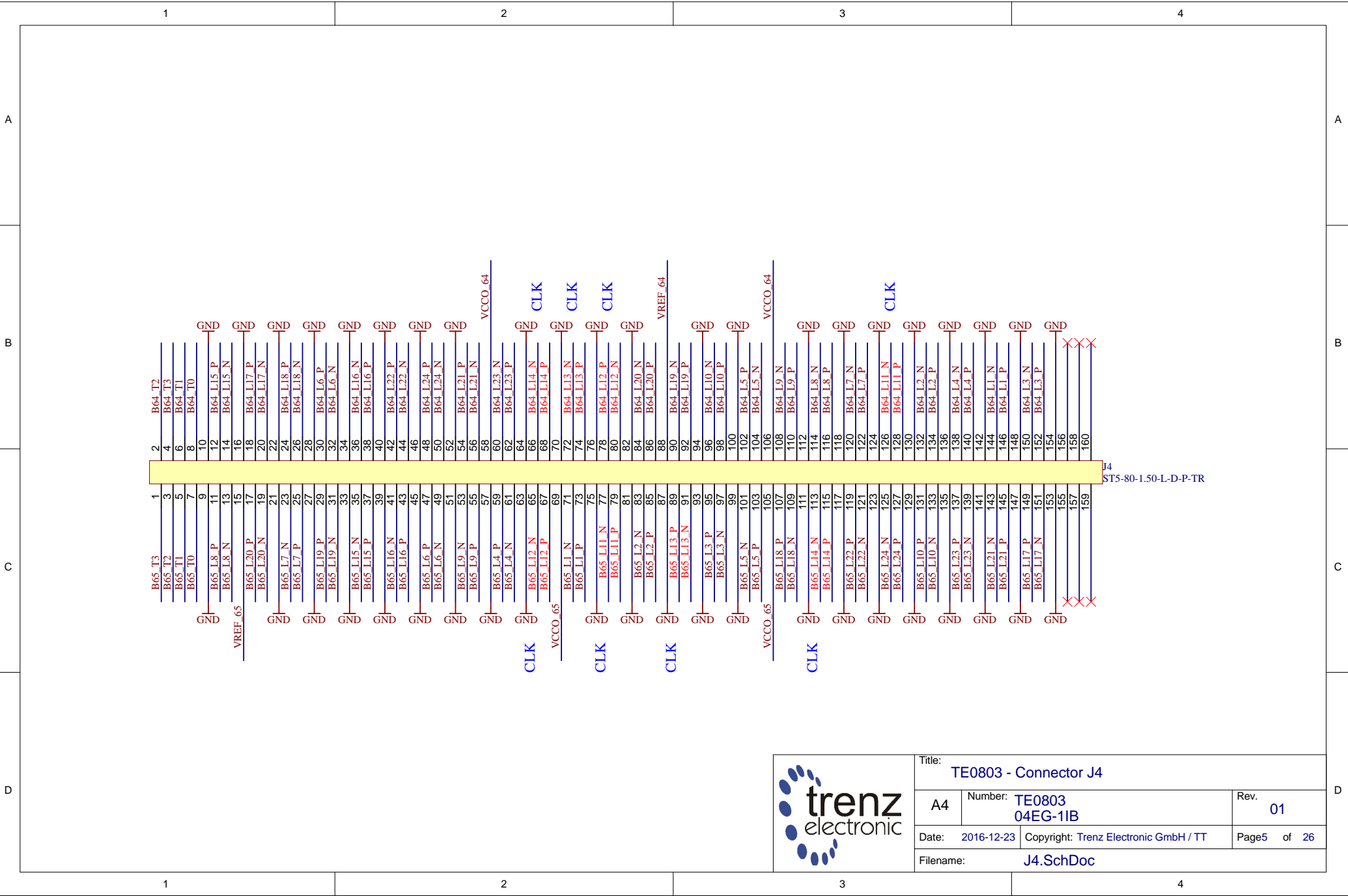
4



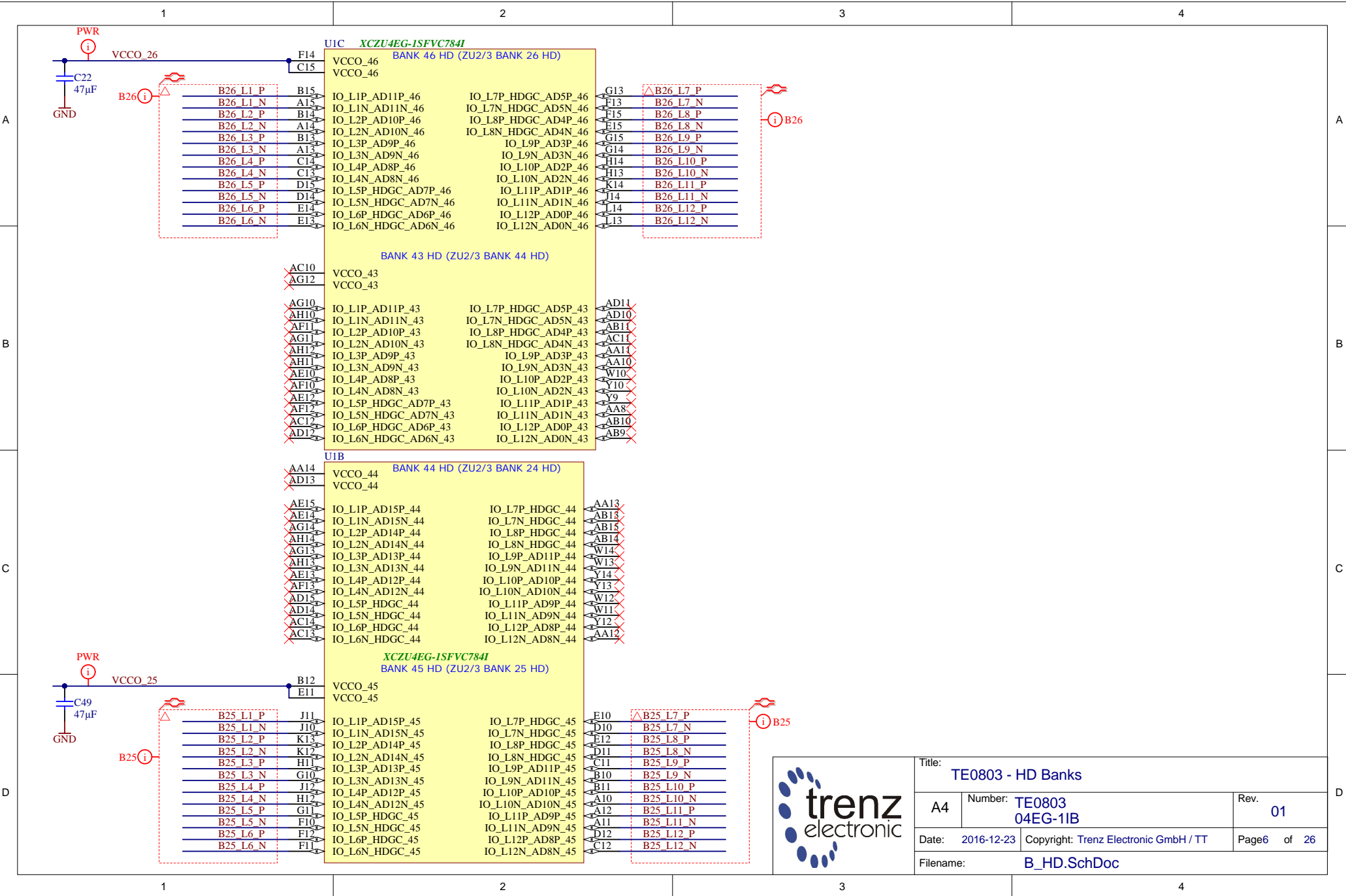
Title: TE0803 - Connector J2		
A4	Number: TE0803 04EG-1IB	Rev. 01
Date: 2016-12-23	Copyright: Trenz Electronic GmbH / TT	Page3 of 26
Filename: J2.SchDoc		



Title: TE0803 - Connector J3		
A4	Number: TE0803 04EG-11B	Rev. 01
Date: 2016-12-23	Copyright: Trenz Electronic GmbH / TT	Page4 of 26
Filename: J3.SchDoc		



Title: TE0803 - Connector J4		
A4	Number: TE0803 04EG-1IB	Rev. 01
Date: 2016-12-23	Copyright: Trenz Electronic GmbH / TT	Page5 of 26
Filename: J4.SchDoc		



UIC XCZU4EG-1SFVC7841
BANK 46 HD (ZU2/3 BANK 26 HD)

VCCO_46	B15	IO_L1P_AD11P_46	IO_L7P_HDGC_AD5P_46
VCCO_46	A15	IO_L1N_AD11N_46	IO_L7N_HDGC_AD5N_46
	B14	IO_L2P_AD10P_46	IO_L8P_HDGC_AD4P_46
	A14	IO_L2N_AD10N_46	IO_L8N_HDGC_AD4N_46
	B13	IO_L3P_AD9P_46	IO_L9P_AD3P_46
	A13	IO_L3N_AD9N_46	IO_L9N_AD3N_46
	C14	IO_L4P_AD8P_46	IO_L10P_AD2P_46
	C13	IO_L4N_AD8N_46	IO_L10N_AD2N_46
	D15	IO_L5P_HDGC_AD7P_46	IO_L11P_AD1P_46
	D14	IO_L5N_HDGC_AD7N_46	IO_L11N_AD1N_46
	E14	IO_L6P_HDGC_AD6P_46	IO_L12P_AD0P_46
	E13	IO_L6N_HDGC_AD6N_46	IO_L12N_AD0N_46

BANK 43 HD (ZU2/3 BANK 44 HD)

VCCO_43	AG10	IO_L1P_AD11P_43	IO_L7P_HDGC_AD5P_43	AD11
VCCO_43	AG12	IO_L1N_AD11N_43	IO_L7N_HDGC_AD5N_43	AD10
	AG11	IO_L2P_AD10P_43	IO_L8P_HDGC_AD4P_43	AB11
	AG11	IO_L2N_AD10N_43	IO_L8N_HDGC_AD4N_43	AC11
	AH12	IO_L3P_AD9P_43	IO_L9P_AD3P_43	AA11
	AH11	IO_L3N_AD9N_43	IO_L9N_AD3N_43	AA10
	AE10	IO_L4P_AD8P_43	IO_L10P_AD2P_43	W10
	AF10	IO_L4N_AD8N_43	IO_L10N_AD2N_43	Y10
	AE12	IO_L5P_HDGC_AD7P_43	IO_L11P_AD1P_43	Y9
	AF12	IO_L5N_HDGC_AD7N_43	IO_L11N_AD1N_43	AA8
	AC12	IO_L6P_HDGC_AD6P_43	IO_L12P_AD0P_43	AB10
	AD12	IO_L6N_HDGC_AD6N_43	IO_L12N_AD0N_43	AB9

UIB
BANK 44 HD (ZU2/3 BANK 24 HD)

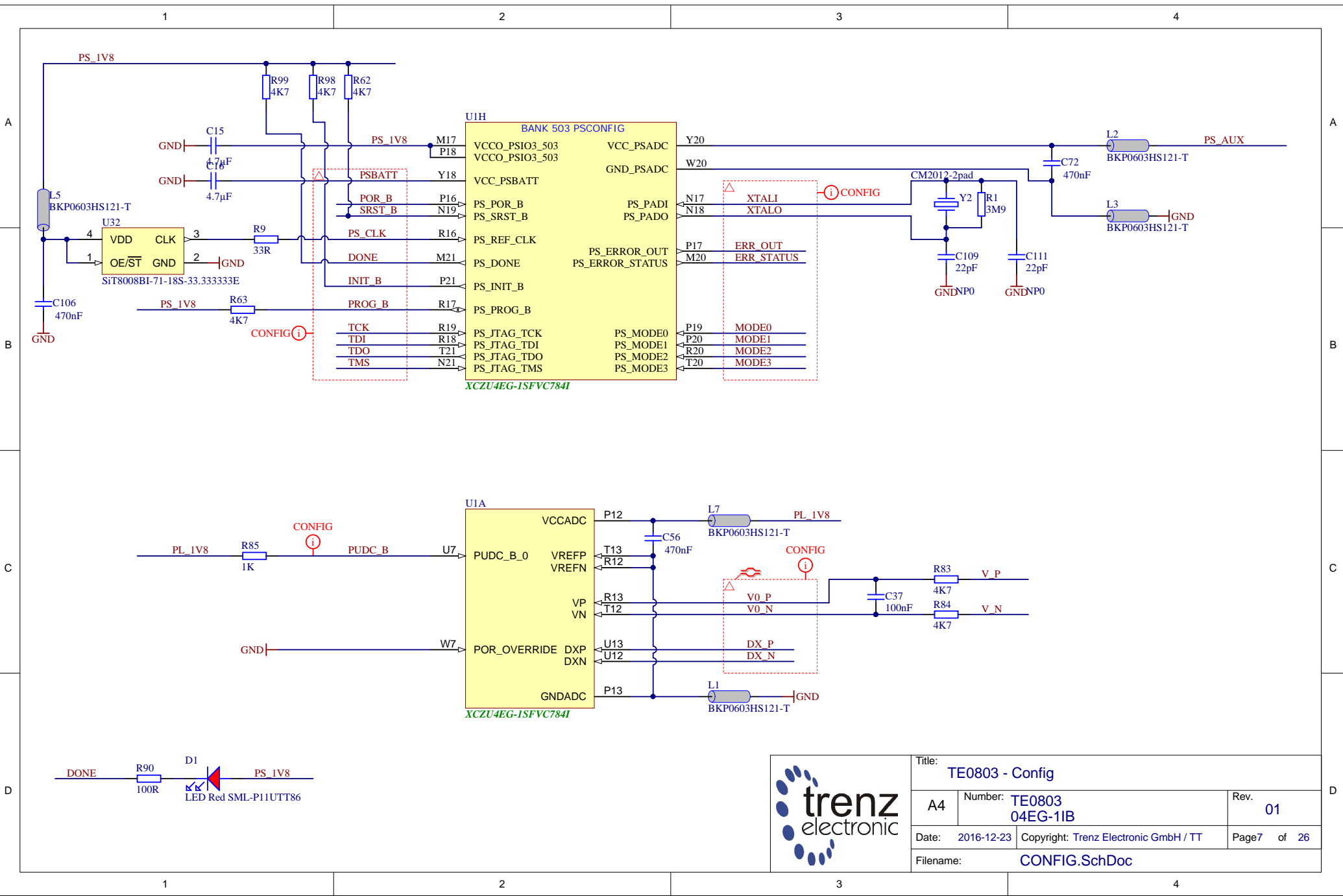
VCCO_44	AA14	IO_L1P_AD15P_44	IO_L7P_HDGC_44	AA13
VCCO_44	AD13	IO_L1N_AD15N_44	IO_L7N_HDGC_44	AB13
	AE15	IO_L2P_AD14P_44	IO_L8P_HDGC_44	AB15
	AG14	IO_L2N_AD14N_44	IO_L8N_HDGC_44	AB14
	AH14	IO_L3P_AD13P_44	IO_L9P_AD11P_44	W14
	AG13	IO_L3N_AD13N_44	IO_L9N_AD11N_44	W13
	AH13	IO_L4P_AD12P_44	IO_L10P_AD10P_44	Y14
	AE13	IO_L4N_AD12N_44	IO_L10N_AD10N_44	Y13
	AD15	IO_L5P_HDGC_44	IO_L11P_AD9P_44	W12
	AD14	IO_L5N_HDGC_44	IO_L11N_AD9N_44	W11
	AC14	IO_L6P_HDGC_44	IO_L12P_AD8P_44	Y12
	AC13	IO_L6N_HDGC_44	IO_L12N_AD8N_44	AA12

XCZU4EG-1SFVC7841
BANK 45 HD (ZU2/3 BANK 25 HD)

VCCO_45	B12	IO_L1P_AD15P_45	IO_L7P_HDGC_45	E10
VCCO_45	E11	IO_L1N_AD15N_45	IO_L7N_HDGC_45	D10
	J11	IO_L2P_AD14P_45	IO_L8P_HDGC_45	E12
	J10	IO_L2N_AD14N_45	IO_L8N_HDGC_45	D11
	K13	IO_L3P_AD13P_45	IO_L9P_AD11P_45	C11
	K12	IO_L3N_AD13N_45	IO_L9N_AD11N_45	B10
	H11	IO_L4P_AD12P_45	IO_L10P_AD10P_45	B11
	H10	IO_L4N_AD12N_45	IO_L10N_AD10N_45	A10
	G10	IO_L5P_HDGC_45	IO_L11P_AD9P_45	A12
	J12	IO_L5N_HDGC_45	IO_L11N_AD9N_45	A11
	H12	IO_L6P_HDGC_45	IO_L12P_AD8P_45	D12
	G11	IO_L6N_HDGC_45	IO_L12N_AD8N_45	C12
	F10			
	F12			
	F11			



Title: TE0803 - HD Banks		
A4	Number: TE0803 04EG-1IB	Rev. 01
Date: 2016-12-23	Copyright: Trenz Electronic GmbH / TT	Page6 of 26
Filename: B_HD.SchDoc		



Title: TE0803 - Config		
A4	Number: TE0803 04EG-1IB	Rev. 01
Date: 2016-12-23	Copyright: Trenz Electronic GmbH / TT	Page 7 of 26
Filename: CONFIG.SchDoc		

1

2

3

4

A

A

B

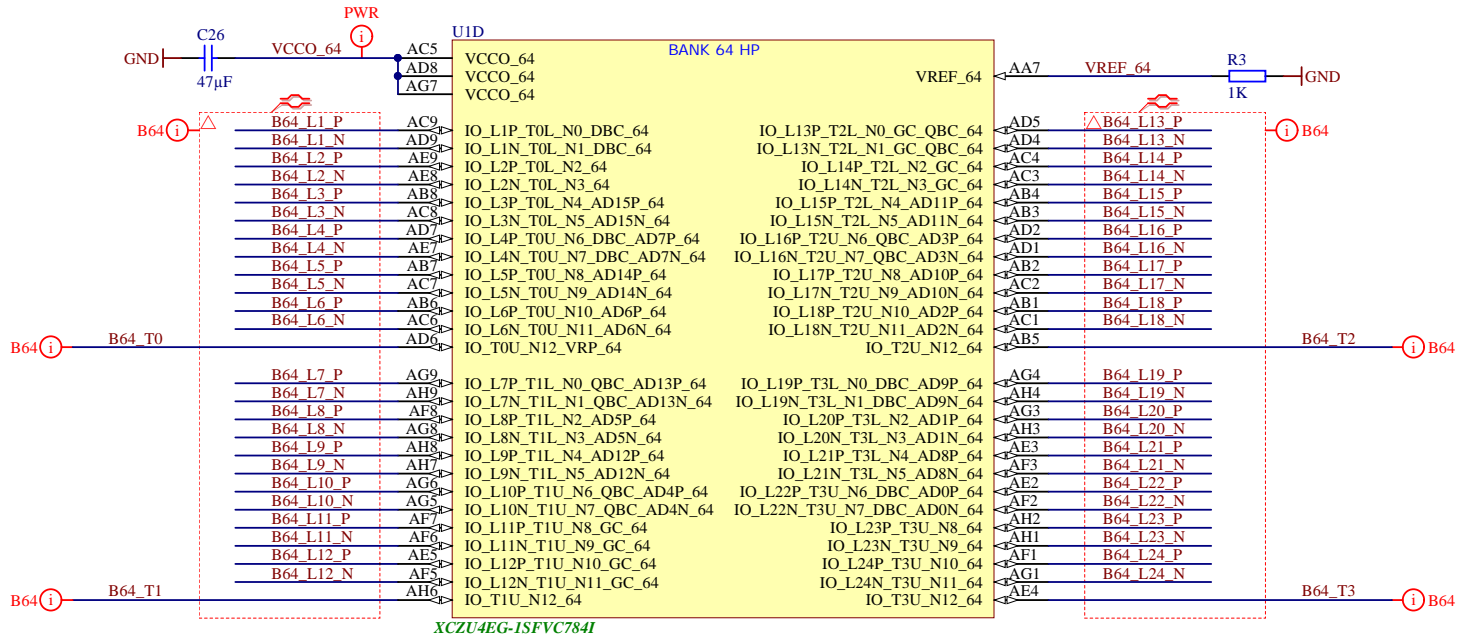
B

C

C

D

D



Title: TE0803 - B64		
A4	Number: TE0803 04EG-1IB	Rev. 01
Date: 2016-12-23	Copyright: Trenz Electronic GmbH / TT	Page8 of 26
Filename: B64.SchDoc		

1

2

3

4

1

2

3

4

A

A

B

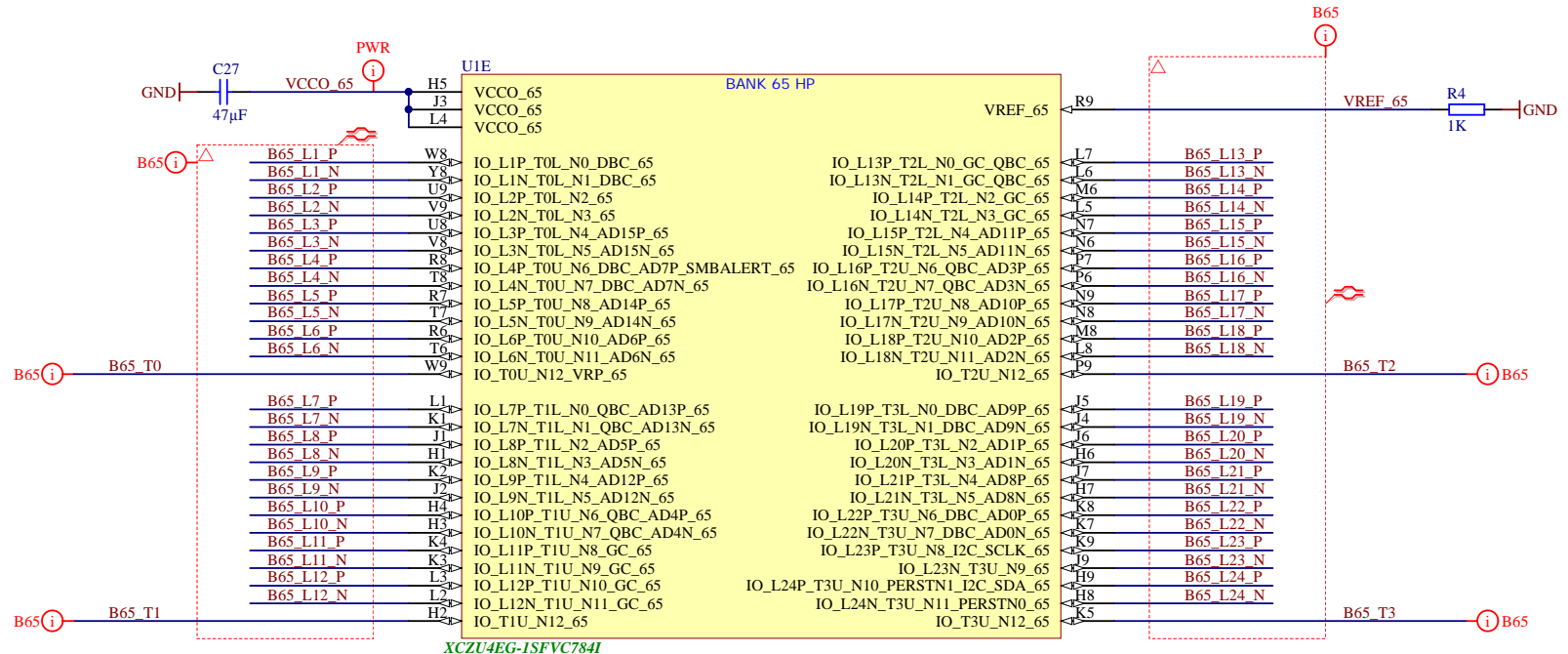
B

C

C

D

D



trenz electronic

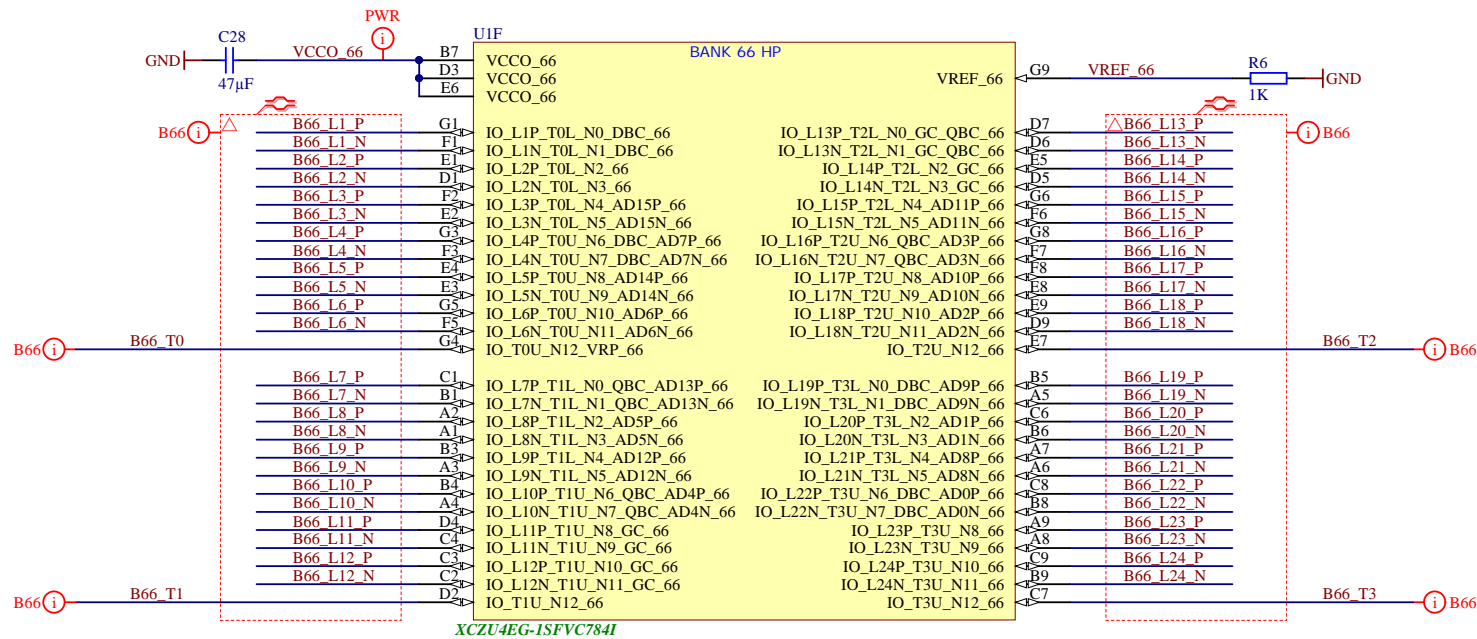
Title: TE0803 - B65		
A4	Number: TE0803 04EG-1IB	Rev. 01
Date: 2016-12-23	Copyright: Trenz Electronic GmbH / TT	Page9 of 26
Filename: B65.SchDoc		

1

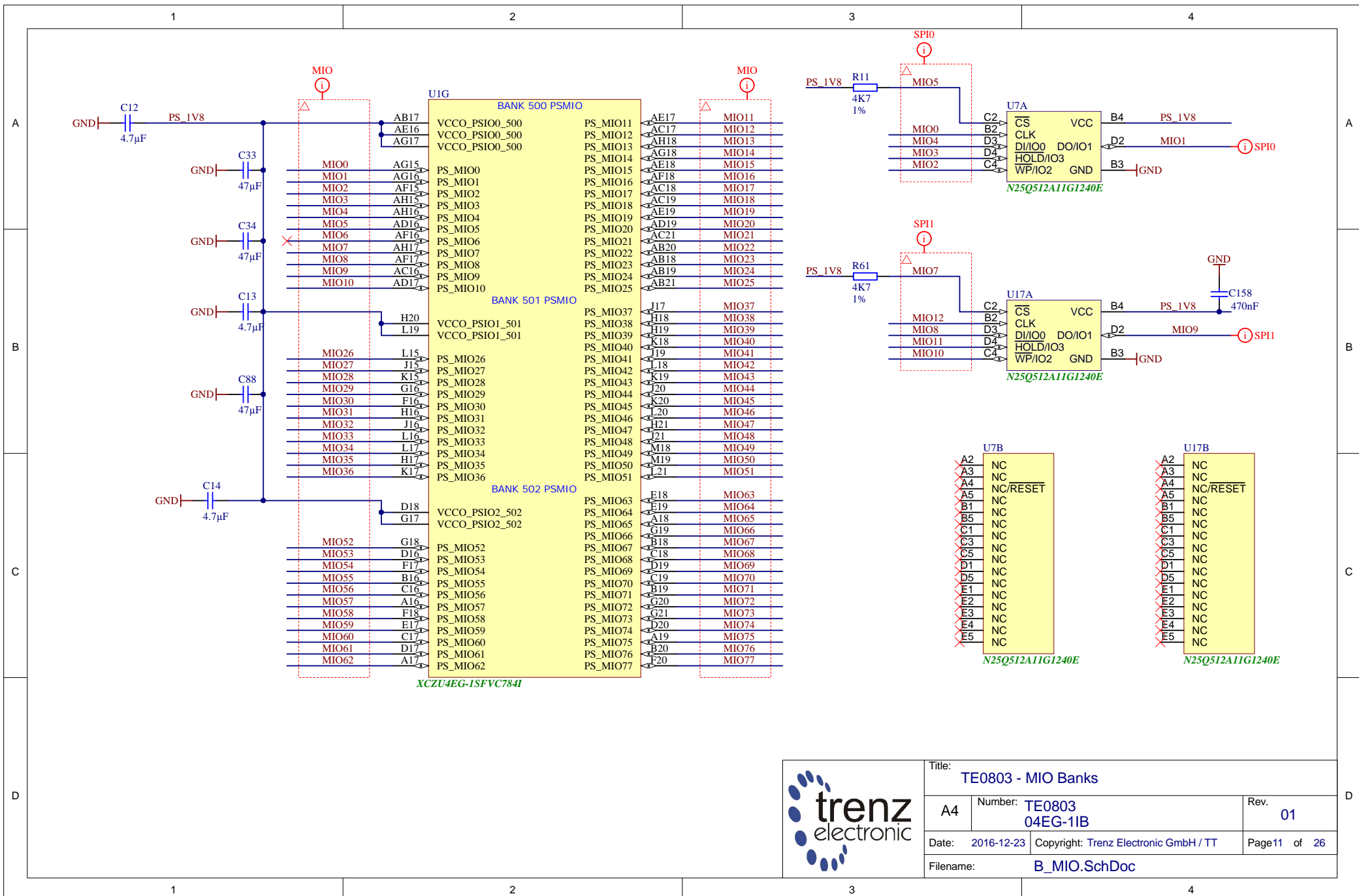
2

3

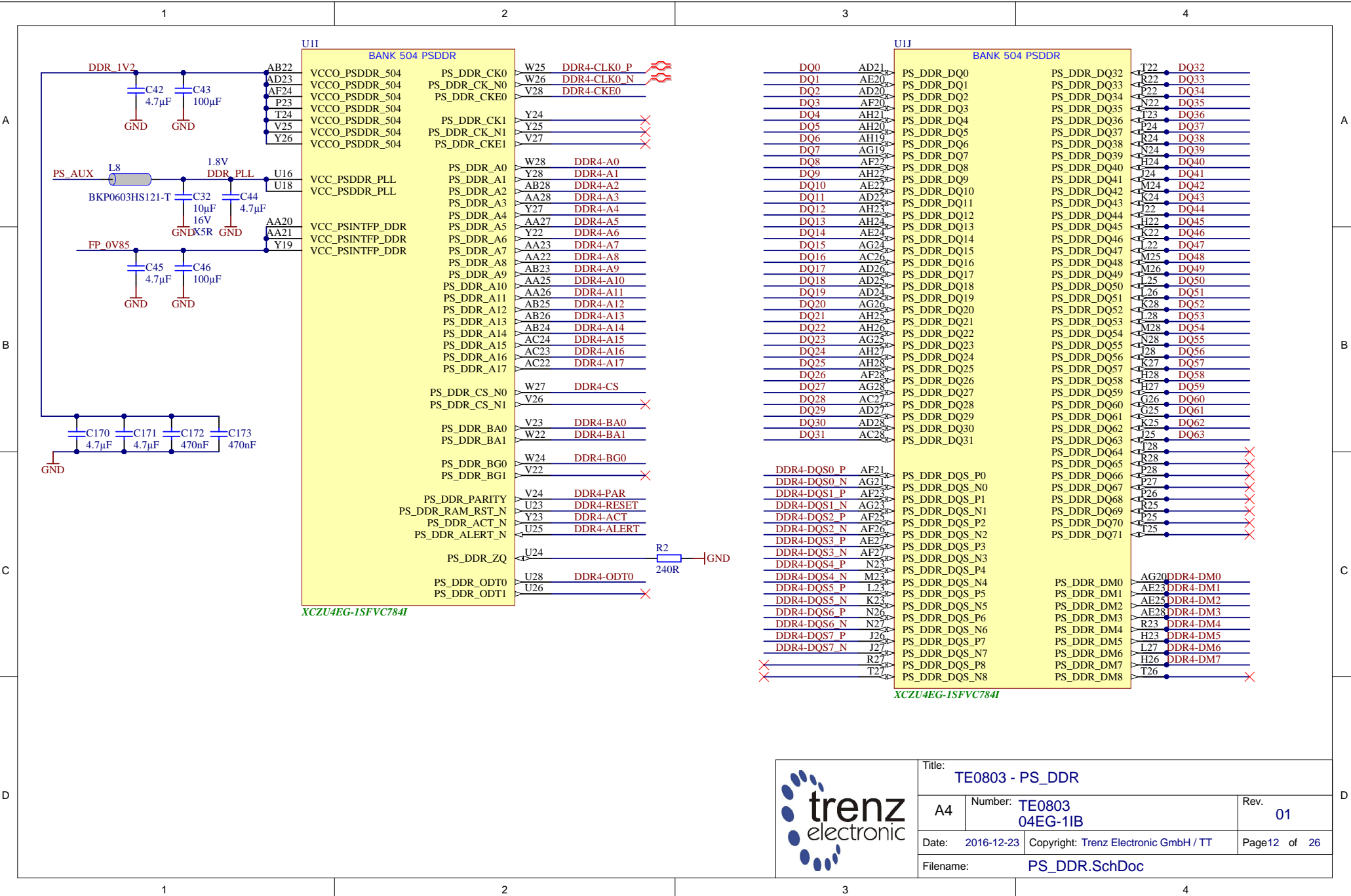
4



Title: TE0803 - B66		
A4	Number: TE0803 04EG-1IB	Rev. 01
Date: 2016-12-23	Copyright: Trenz Electronic GmbH / TT	Page10 of 26
Filename: B66.SchDoc		



	Title: TE0803 - MIO Banks		
	A4	Number: TE0803 04EG-1IB	Rev. 01
	Date: 2016-12-23	Copyright: Trenz Electronic GmbH / TT	Page 11 of 26
	Filename: B_MIO.SchDoc		



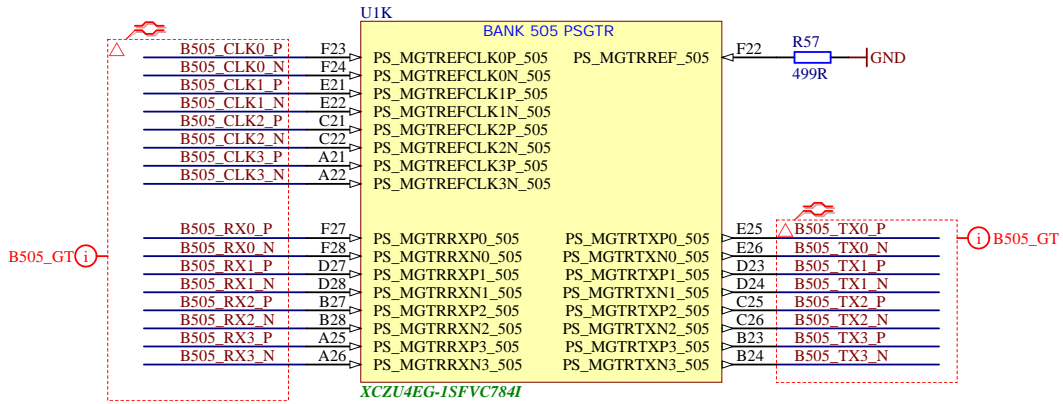
trenz electronic

Title: TE0803 - PS_DDR

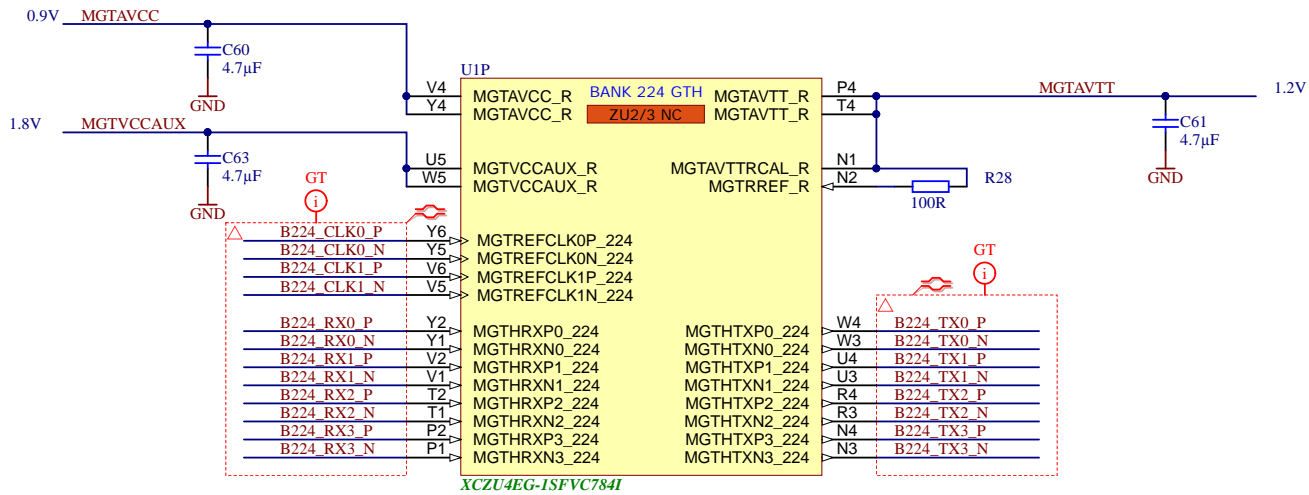
A4 Number: TE0803 04EG-1IB Rev. 01

Date: 2016-12-23 Copyright: Trenz Electronic GmbH / TT Page 12 of 26

Filename: PS_DDR.SchDoc



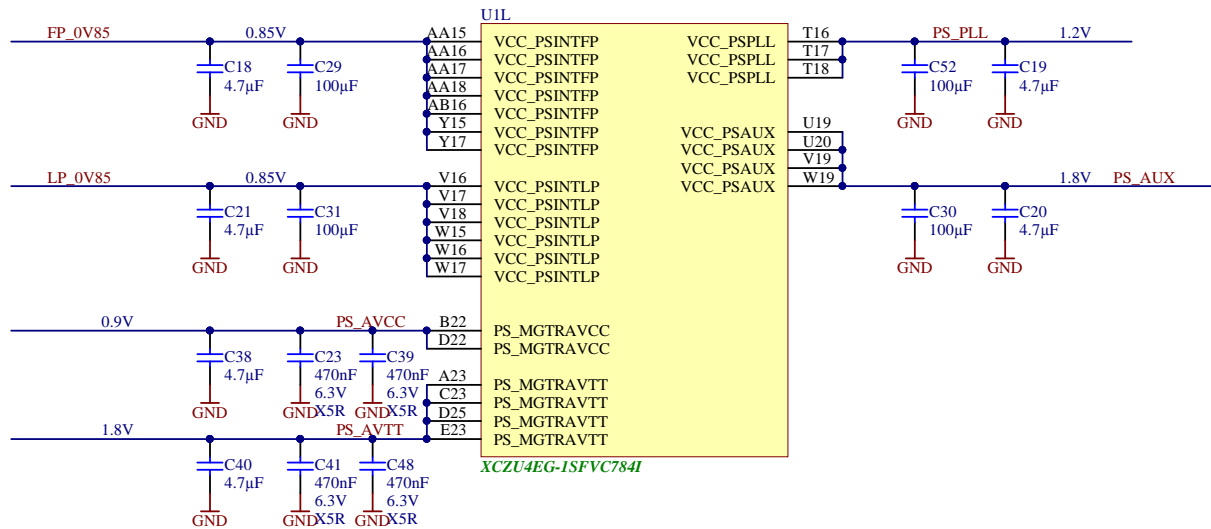
	Title: TE0803 - PS_GT	
	A4	Number: TE0803 04EG-1IB
	Date: 2016-12-23	Copyright: Trenz Electronic GmbH / TT
	Filename: B_PS_GT.SchDoc	
	Rev. 01	Page 13 of 26



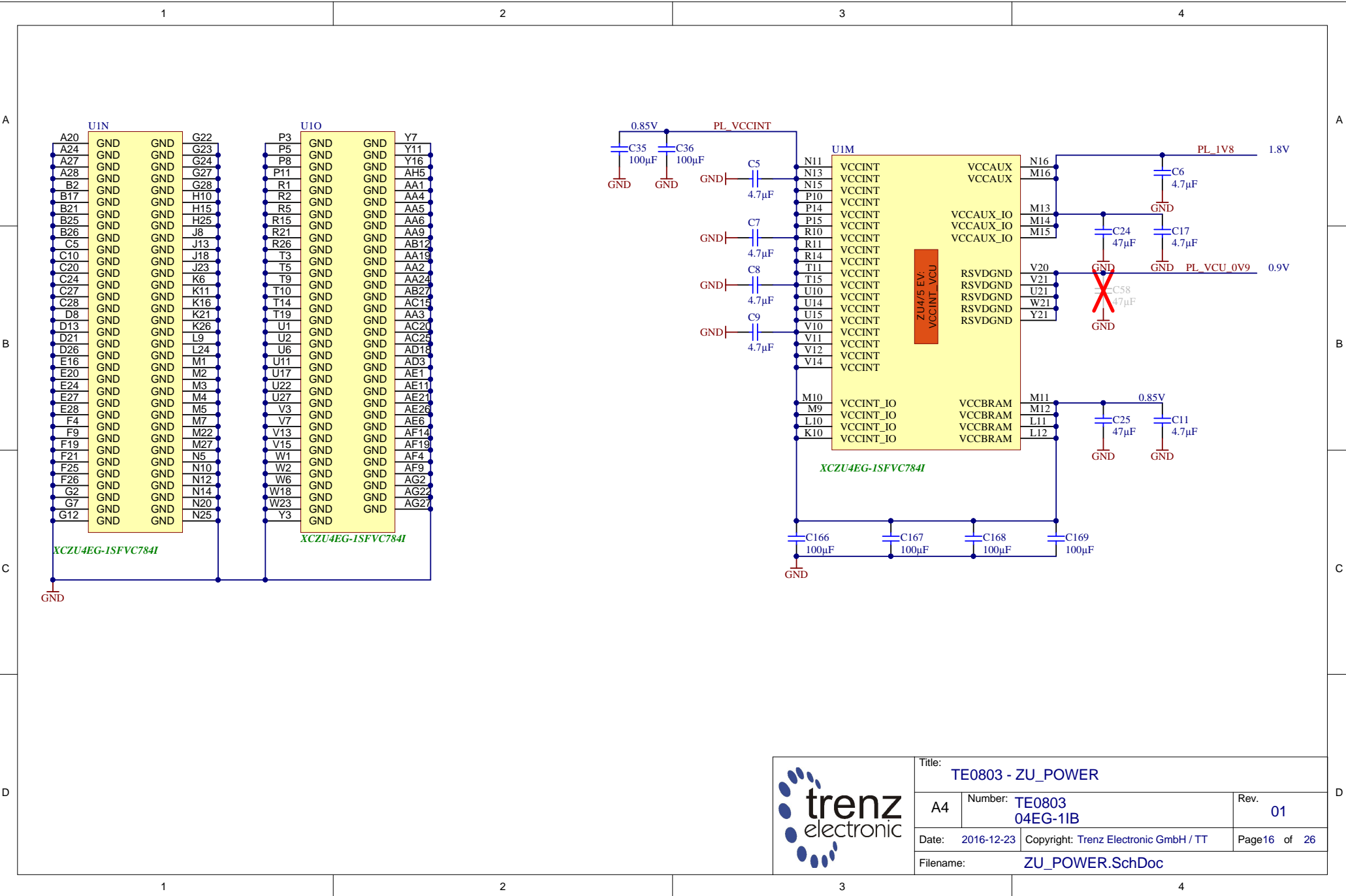
XZU4EG-1SFVC784I



Title: TE0803 - B224GTH		
A4	Number: TE0803 04EG-1IB	Rev. 01
Date: 2016-12-23	Copyright: Trenz Electronic GmbH / TT	Page 14 of 26
Filename: B_GT.SchDoc		



Title: TE0803 - ZU_PS_POWER		
A4	Number: TE0803 04EG-1IB	Rev. 01
Date: 2016-12-23	Copyright: Trenz Electronic GmbH / TT	Page 15 of 26
Filename: ZU_PS_POWER.SchDoc		



Title: TE0803 - ZU_POWER		
A4	Number: TE0803 04EG-1IB	Rev. 01
Date: 2016-12-23	Copyright: Trenz Electronic GmbH / TT	Page 16 of 26
Filename: ZU_POWER.SchDoc		

1

2

3

4

A

A

B

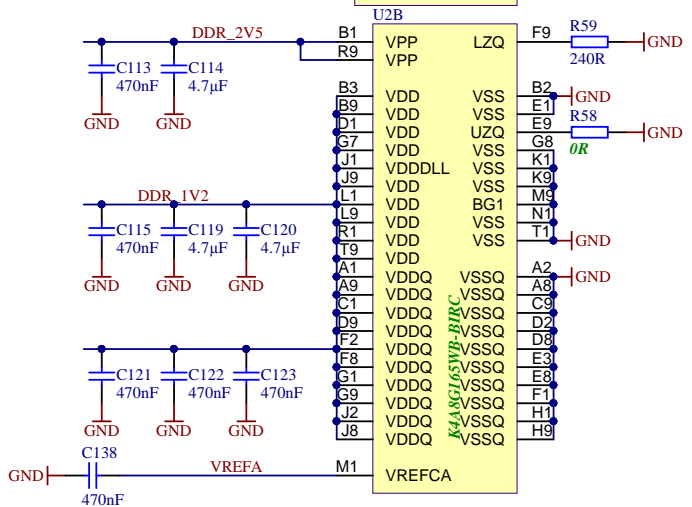
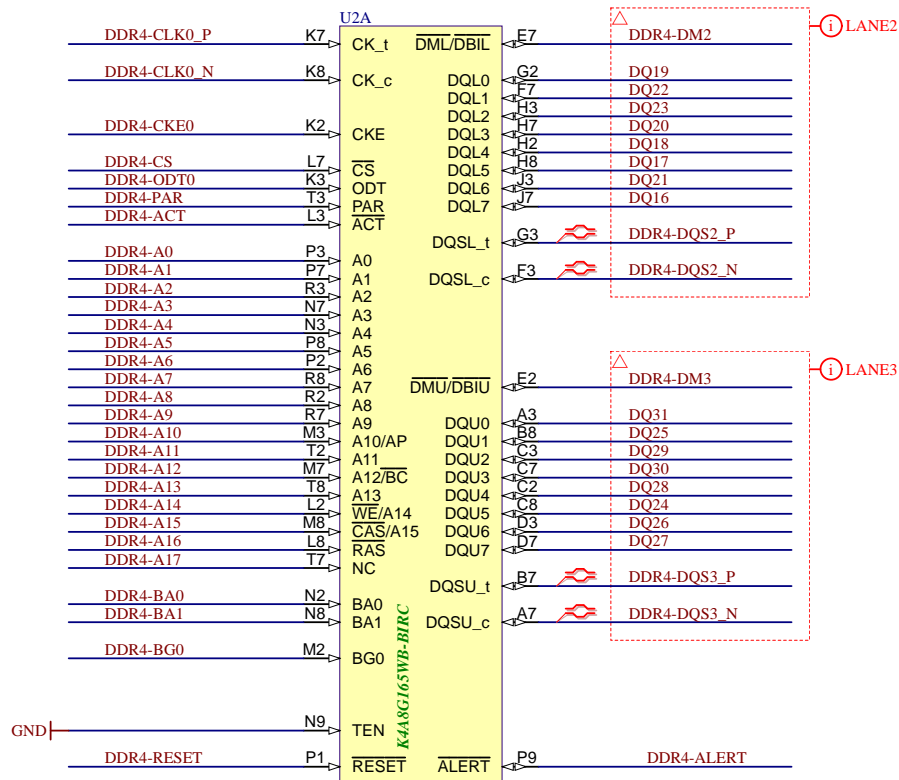
B

C

C

D

D



Title: TE0803 - DDR4_1_RAM		
A4	Number: TE0803 04EG-1IB	Rev. 01
Date: 2016-12-23	Copyright: Trenz Electronic GmbH / TT	Page 17 of 26
Filename: DDR4-RAM.SchDoc		

1

2

3

4

1

2

3

4

A

A

B

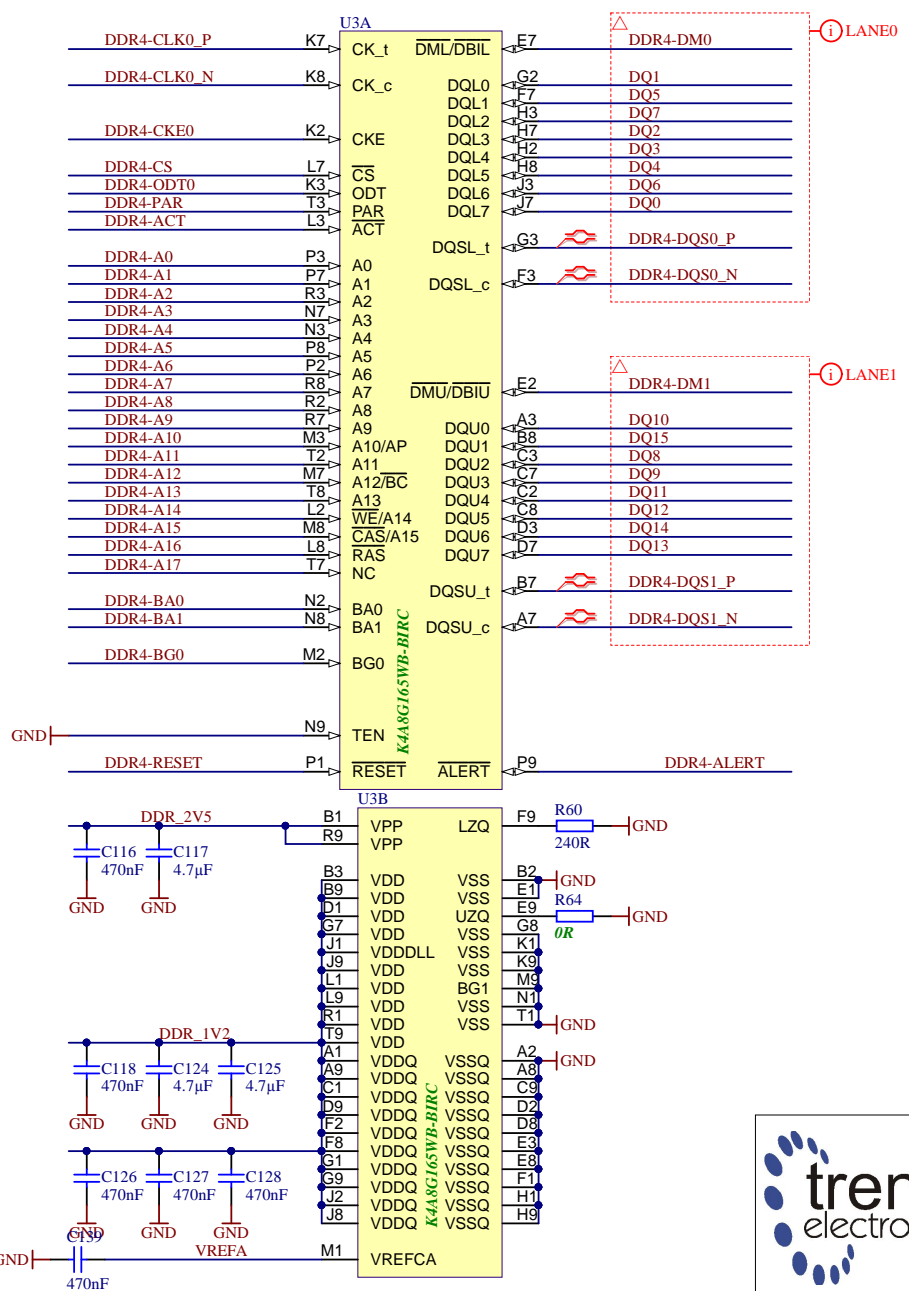

B

C

C

D

D

Title: TE0803 - DDR4_2_RAM		
A4	Number: TE0803 04EG-1IB	Rev. 01
Date: 2016-12-23	Copyright: Trenz Electronic GmbH / TT	Page18 of 26
Filename: DDR4-RAM_2.SchDoc		

1

2

3

4

1

2

3

4

A

A

B

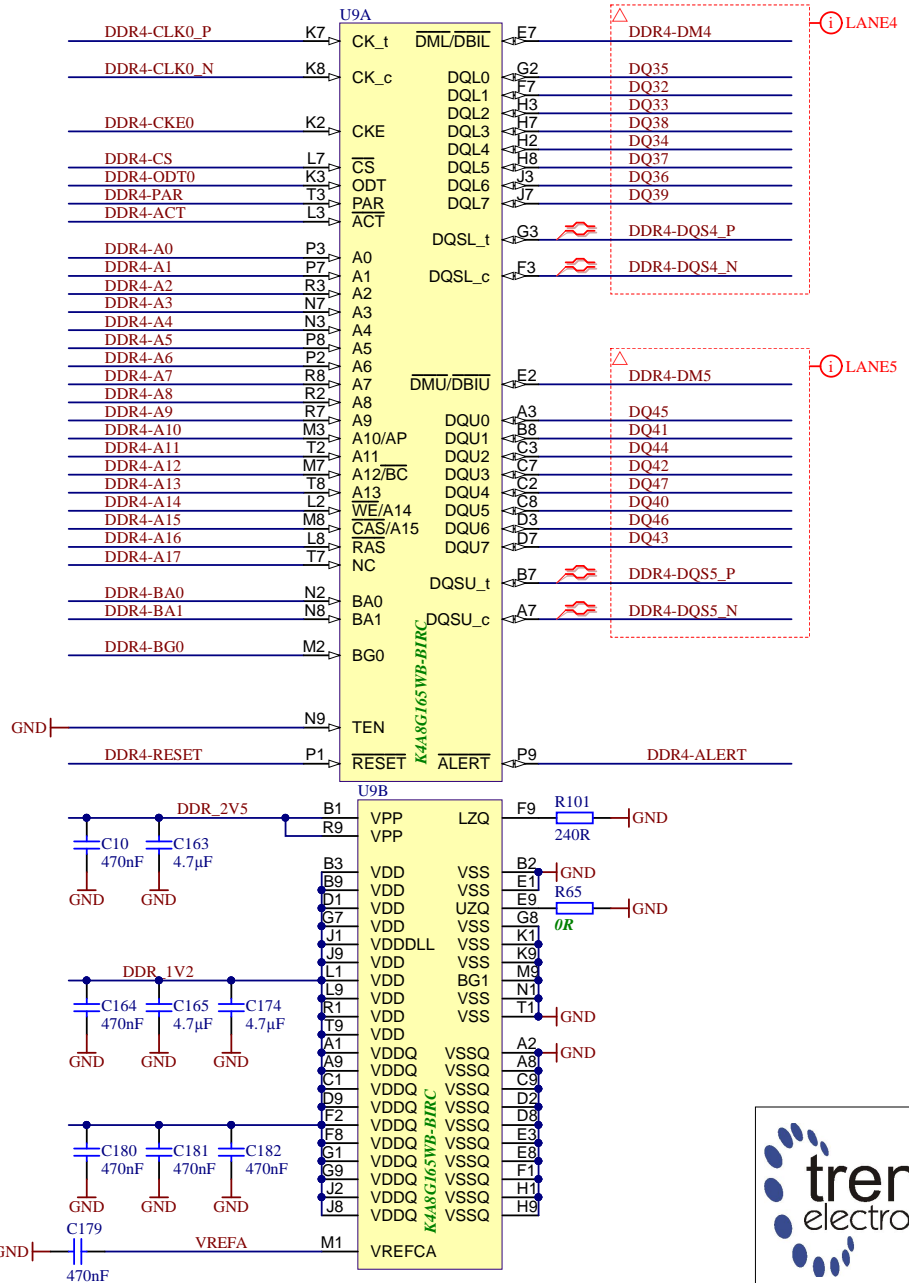

B

C

C

D

D

Title: TE0803 - DDR4_3_RAM		
A4	Number: TE0803 04EG-11B	Rev. 01
Date: 2016-12-23	Copyright: Trenz Electronic GmbH / TT	Page 19 of 26
Filename: DDR4-RAM_3.SchDoc		

1

2

3

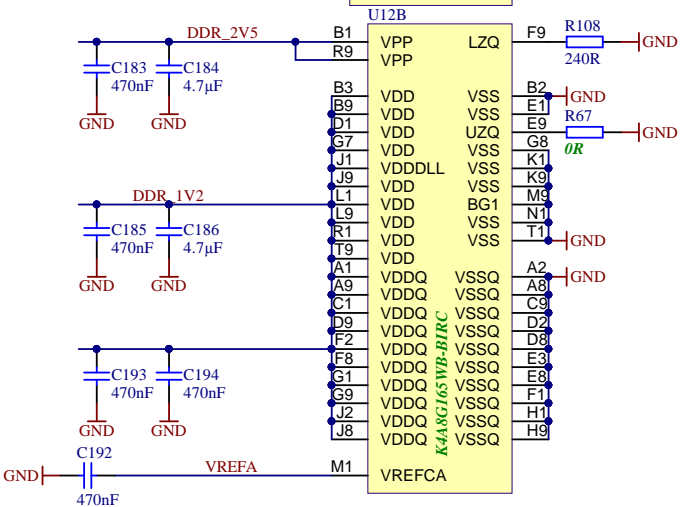
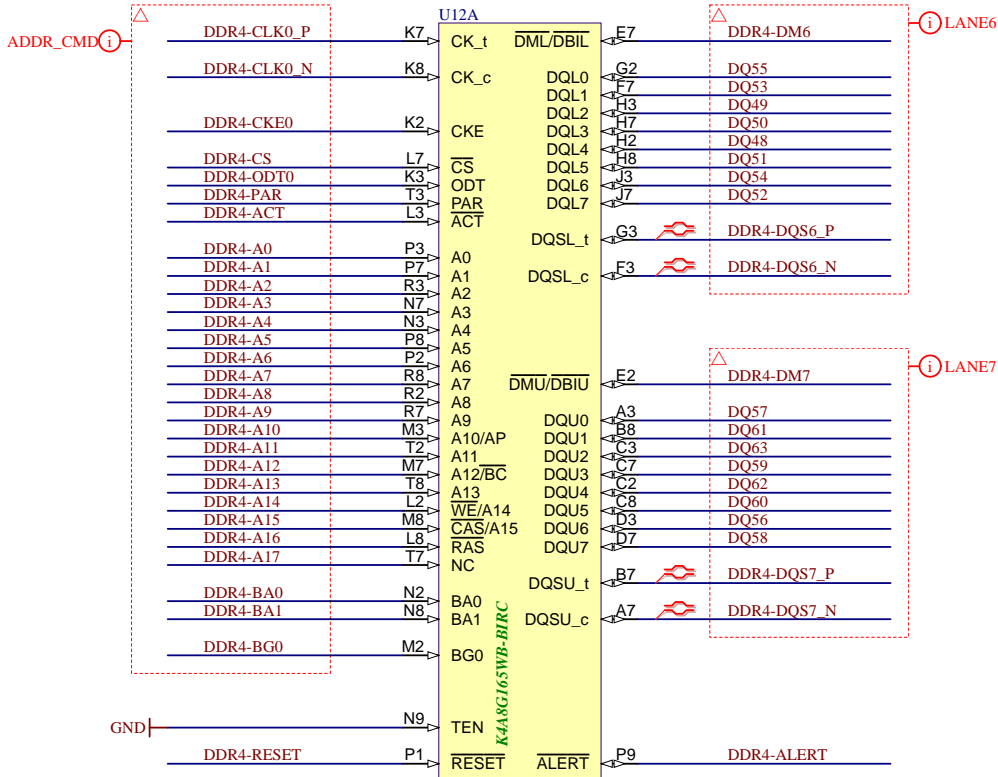

4

1

2

3

4

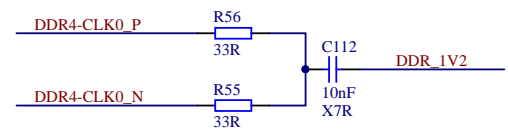
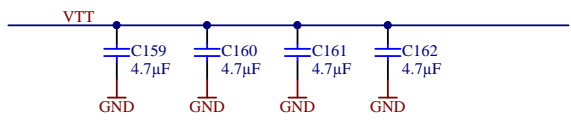
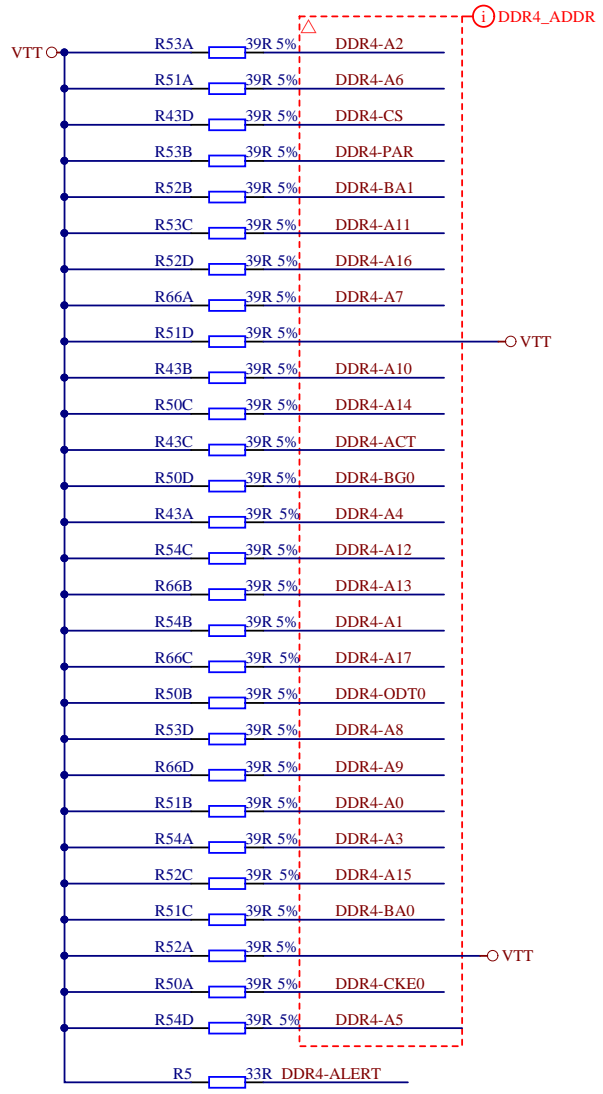
Title: TE0803 - DDR4_4_RAM		
A4	Number: TE0803 04EG-1IB	Rev. 01
Date: 2016-12-23	Copyright: Trenz Electronic GmbH / TT	Page20 of 26
Filename: DDR4-RAM_4.SchDoc		

1

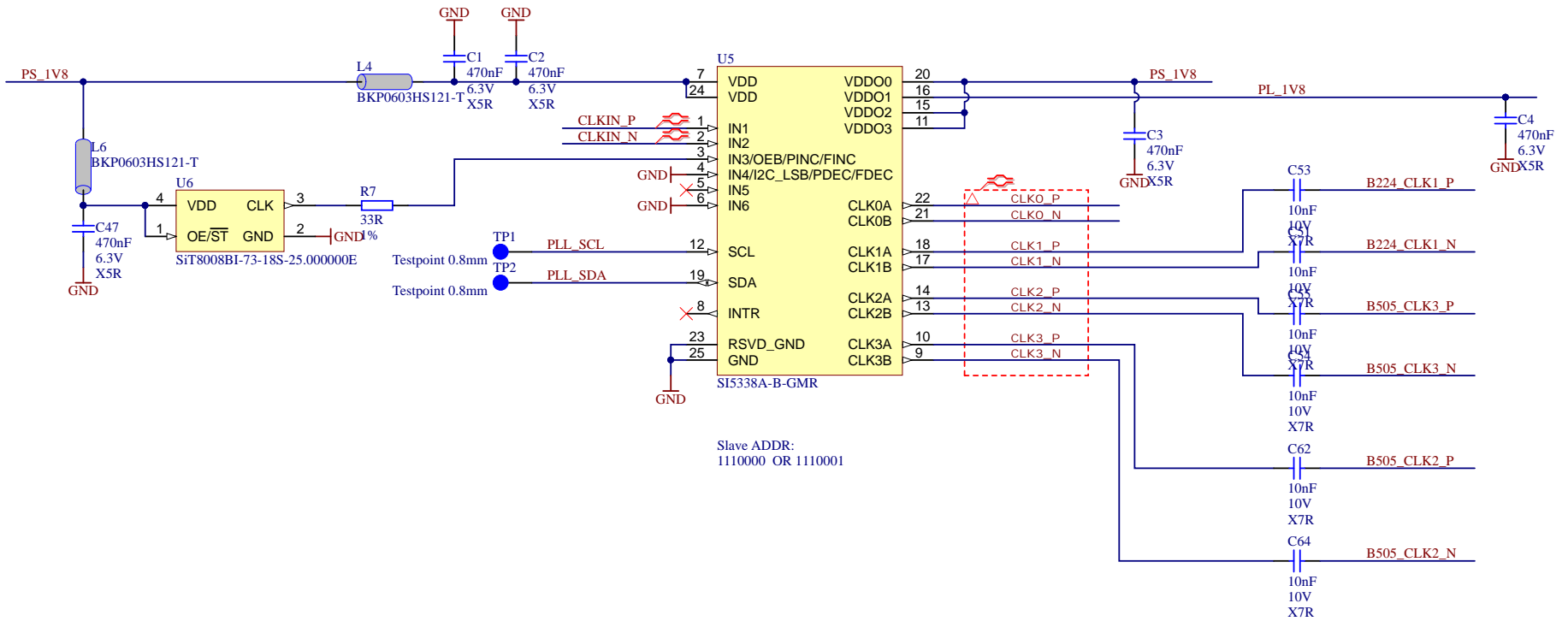
2

3

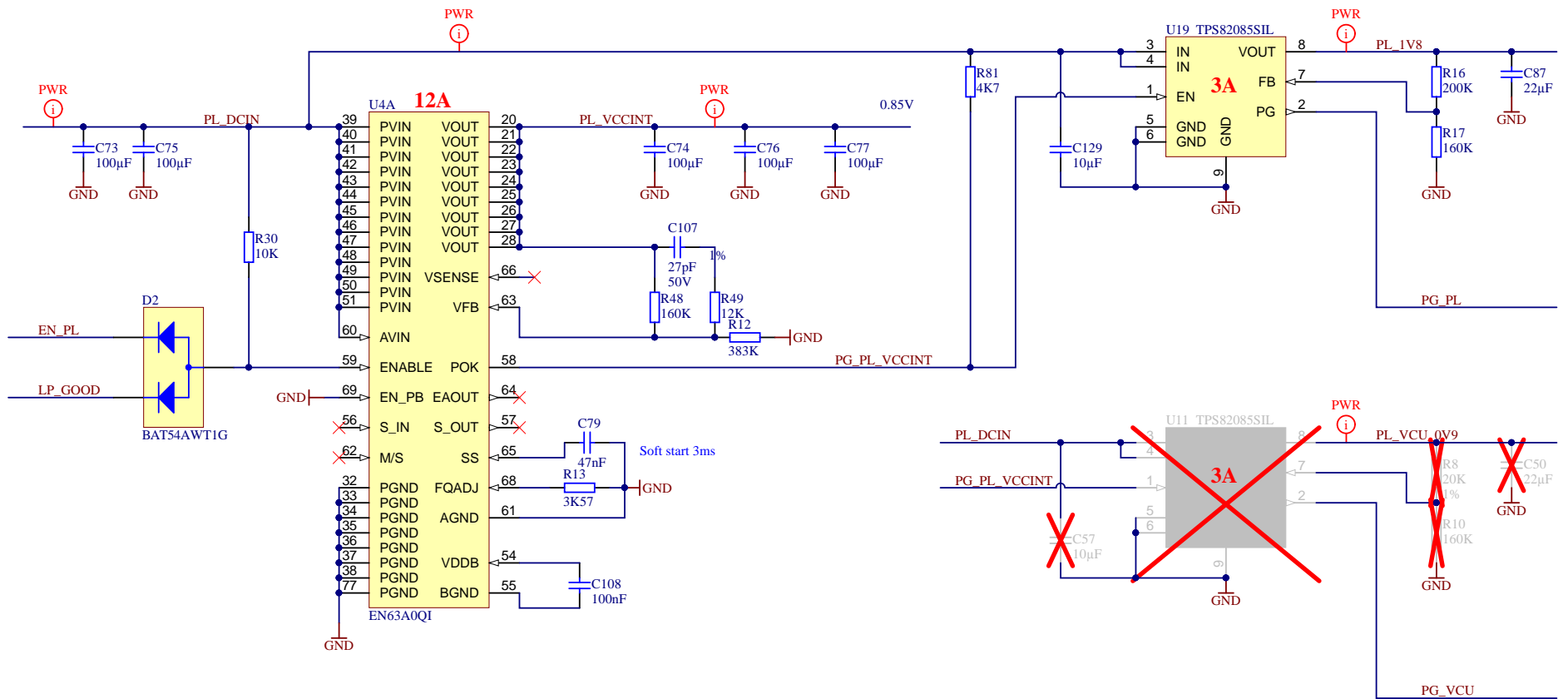
4



Title: TE0803 - DDR4_TERM		
A4	Number: TE0803 04EG-1IB	Rev. 01
Date: 2016-12-23	Copyright: Trenz Electronic GmbH / TT	Page21 of 26
Filename: DDR4-TERM.SchDoc		



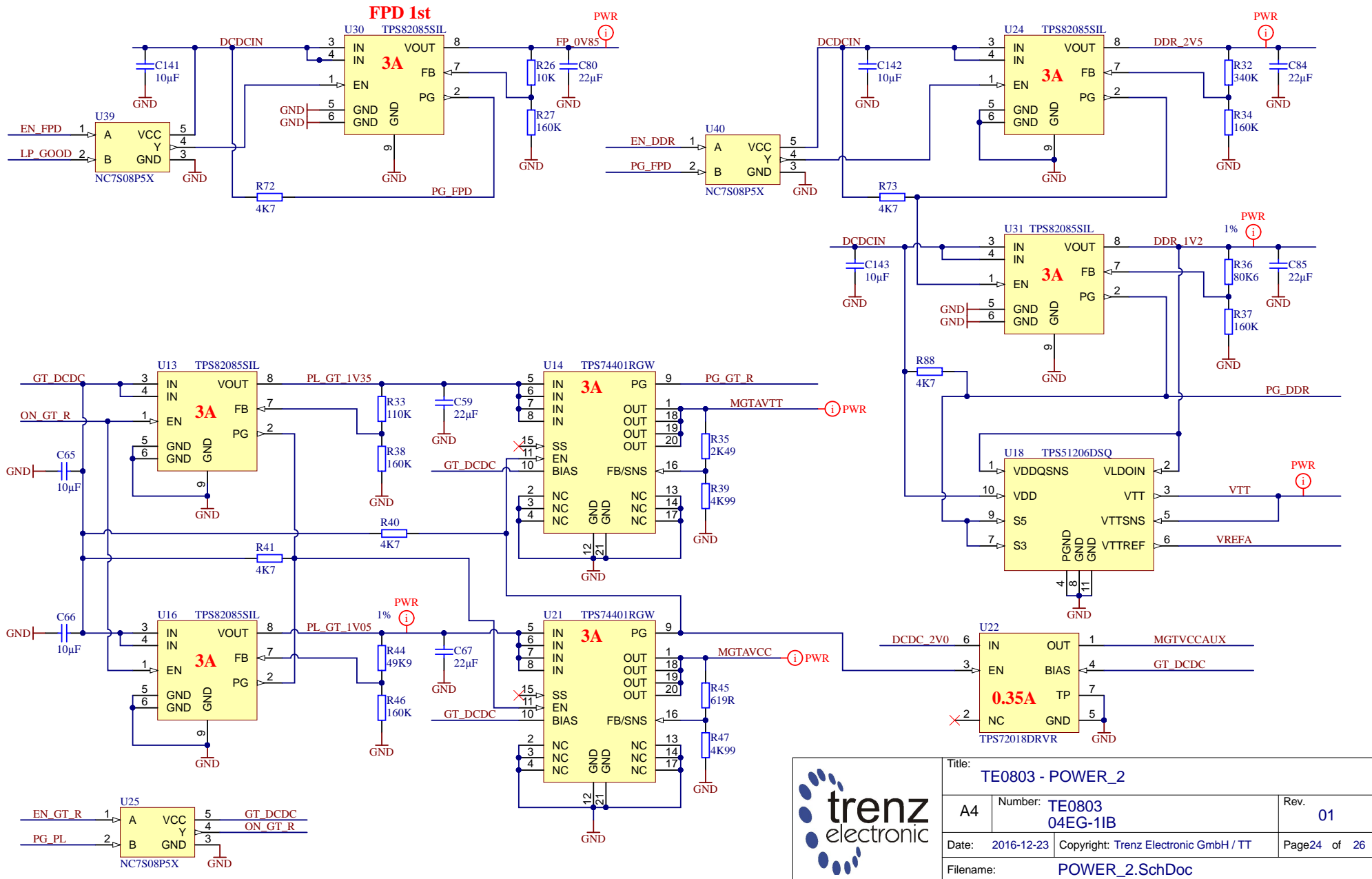

Title: TE0803 - CLOCK		
A4	Number: TE0803 04EG-11B	Rev. 01
Date: 2016-12-23	Copyright: Trenz Electronic GmbH / TT	Page22 of 26
Filename: Clock.SchDoc		



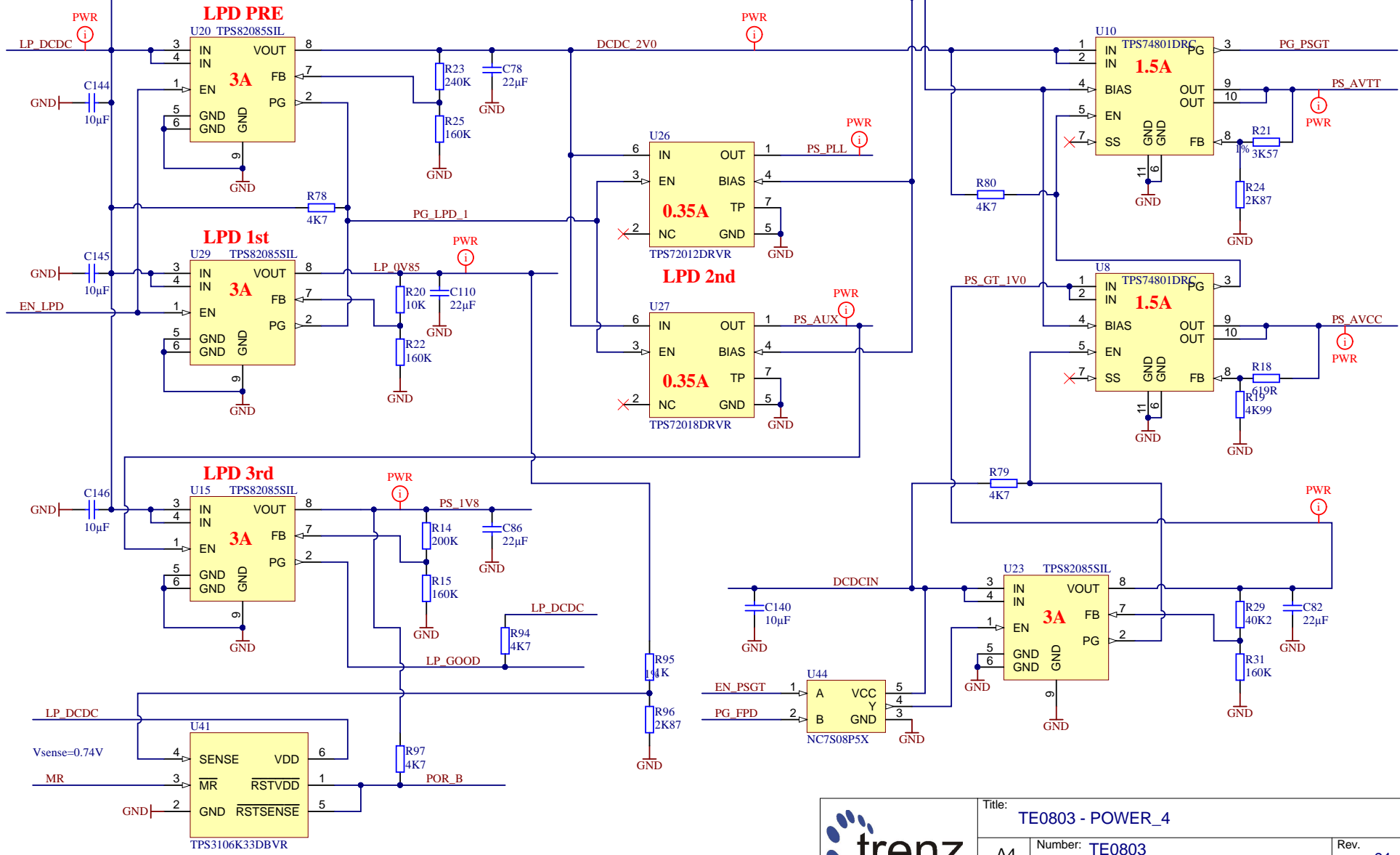
U4B
EN63A0QI


1	NC	NC	17
2	NC	NC	18
3	NC	NC	19
4	NC	NC	29
5	NC	NC	30
6	NC	NC(SW)	31
7	NC	NC(SW)	52
8	NC	NC	53
9	NC	NC	67
10	NC	NC(SW)	70
11	NC	NC(SW)	71
12	NC	NC(SW)	72
13	NC	NC	73
14	NC	NC	74
15	NC	NC	75
16	NC	NC	76

	Title: TE0803 - POWER		
	A4	Number: TE0803 04EG-1IB	Rev. 01
	Date: 2016-12-23	Copyright: Trenz Electronic GmbH / TT	Page23 of 26
	Filename: POWER.SchDoc		

Title: TE0803 - POWER_2		
A4	Number: TE0803 04EG-11B	Rev. 01
Date: 2016-12-23	Copyright: Trenz Electronic GmbH / TT	Page24 of 26
Filename: POWER_2.SchDoc		



	Title: TE0803 - POWER_4		
	A4	Number: TE0803 04EG-11B	Rev. 01
	Date: 2016-12-23	Copyright: Trenz Electronic GmbH / TT	Page 25 of 26
	Filename: POWER_4.SchDoc		

1

2

3

4

CHANGES REV01a (20.11.2017):

1) VCU voltage set to 0.9V, R20 changed to 40K , PL_VCU_1V0 renamed to PL_VCU_0V9.

A

A

B

B

C

C

D

D



Title: TE0803 - Changes list		
A4	Number: TE0803 04EG-1IB	Rev. 01
Date: 2017-01-27	Copyright: Trenz Electronic GmbH	Page 26 of 26
Filename: Revision_Changes.SchDoc		

1

2

3

4