

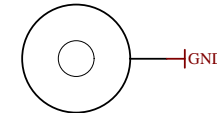
1

2

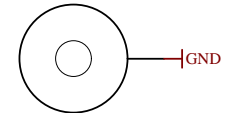
3

4

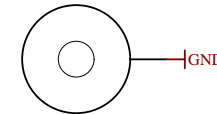
U_J1 J1.SchDoc	U_B_PS_GT B_PS_GT.SchDoc	U_DDR4-TERM DDR4-TERM.SchDoc
U_J2 J2.SchDoc	U_PS_DDR PS_DDR.SchDoc	U_ZU_POWER ZU_POWER.SchDoc
U_J3 J3.SchDoc	U_B_MIO B_MIO.SchDoc	U_ZU_PS_POWER ZU_PS_POWER.SchDoc
U_J4 J4.SchDoc	U_B_HD B_HD.SchDoc	U_POWER POWER.SchDoc
U_DDR4-TERM DDR4-TERM.SchDoc	U_Clock Clock.SchDoc	U_POWER_2 POWER_2.SchDoc
U_B64 B64.SchDoc	U_CONFIG CONFIG.SchDoc	
U_B65 B65.SchDoc	U_DDR4-RAM DDR4-RAM.SchDoc	U_POWER_4 POWER_4.SchDoc
U_B66 B66.SchDoc	U_DDR4-RAM_2 DDR4-RAM_2.SchDoc	U_REV_CH Revision_Changes.SchDoc
U_B_GT B_GT.SchDoc	U_DDR4-RAM_3 DDR4-RAM_3.SchDoc	
	U_DDR4-RAM_4 DDR4-RAM_4.SchDoc	



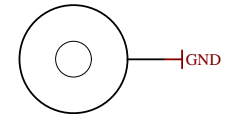
Mount.Hole 3.2mm für Unterlegscheibe



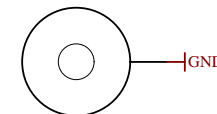
Mount.Hole 3.2mm für Unterlegscheibe



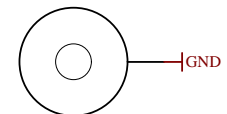
Mount.Hole 3.2mm für Unterlegscheibe



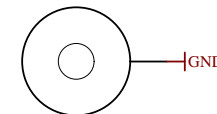
Mount.Hole 3.2mm für Unterlegscheibe



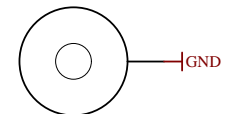
Mount.Hole 3.2mm für Unterlegscheibe



Mount.Hole 3.2mm für Unterlegscheibe



Mount.Hole 3.2mm für Unterlegscheibe



Mount.Hole 3.2mm für Unterlegscheibe

FIDU-DOT - small FIDU-DOT - small



PM1 PM2
FIDU-DOT - small FIDU-DOT - small



PM3 PM4
FIDU-DOT - small FIDU-DOT - small



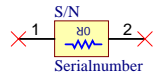
PM5 PM6

LOGO1

TE Logo PRINT Layer

LOGO PRINT

Serial
Serial
Serialnumber 6,3 x 6.3mm



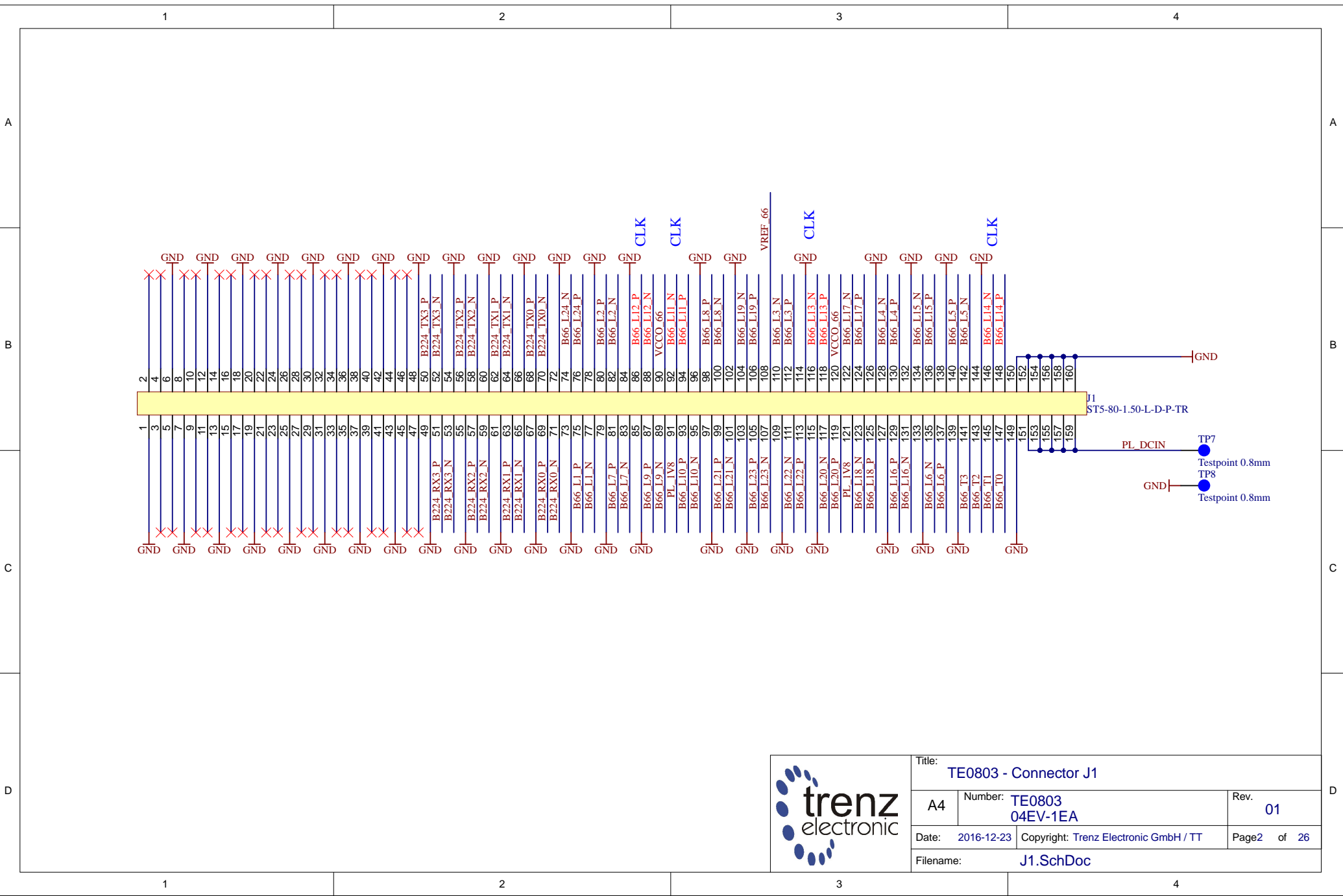
Title: TE0803		
A4	Number: TE0803 04EV-1EA	Rev. 01
Date: 2016-12-23	Copyright: Trenz Electronic GmbH / TT	Page1 of 26
Filename: TE0803.SchDoc		

1

2

3

4



Title: TE0803 - Connector J1		
A4	Number: TE0803 04EV-1EA	Rev. 01
Date: 2016-12-23	Copyright: Trenz Electronic GmbH / TT	Page2 of 26
Filename: J1.SchDoc		

1

2

3

4

A

A

B

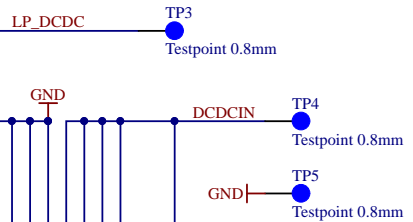
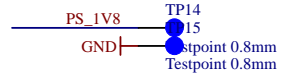
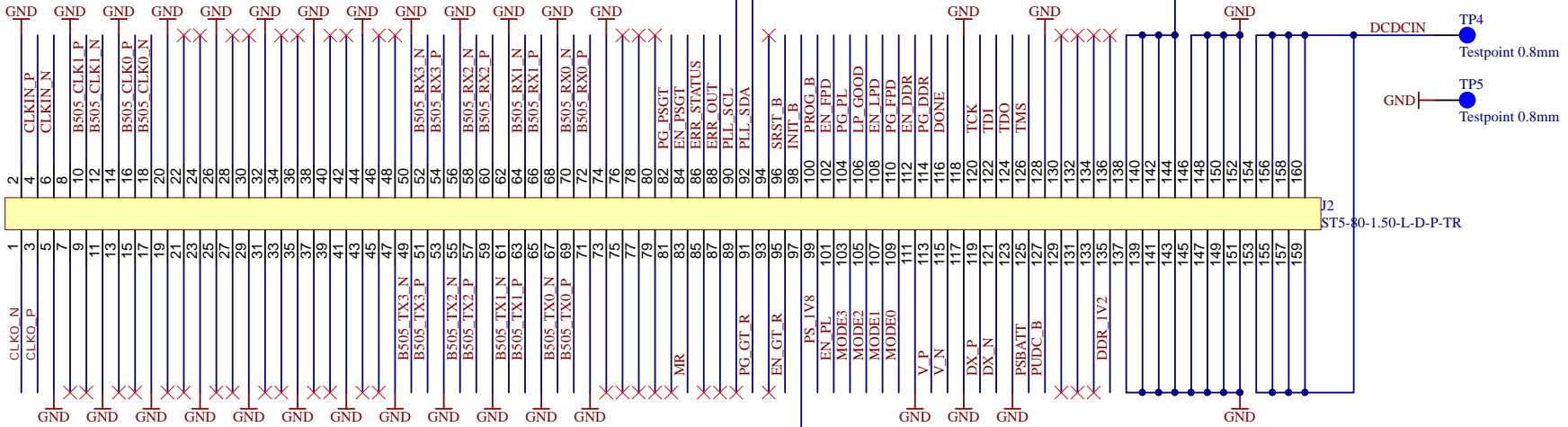
B

C

C

D

D



J2
ST5-80-1.50-L-D-P-TR



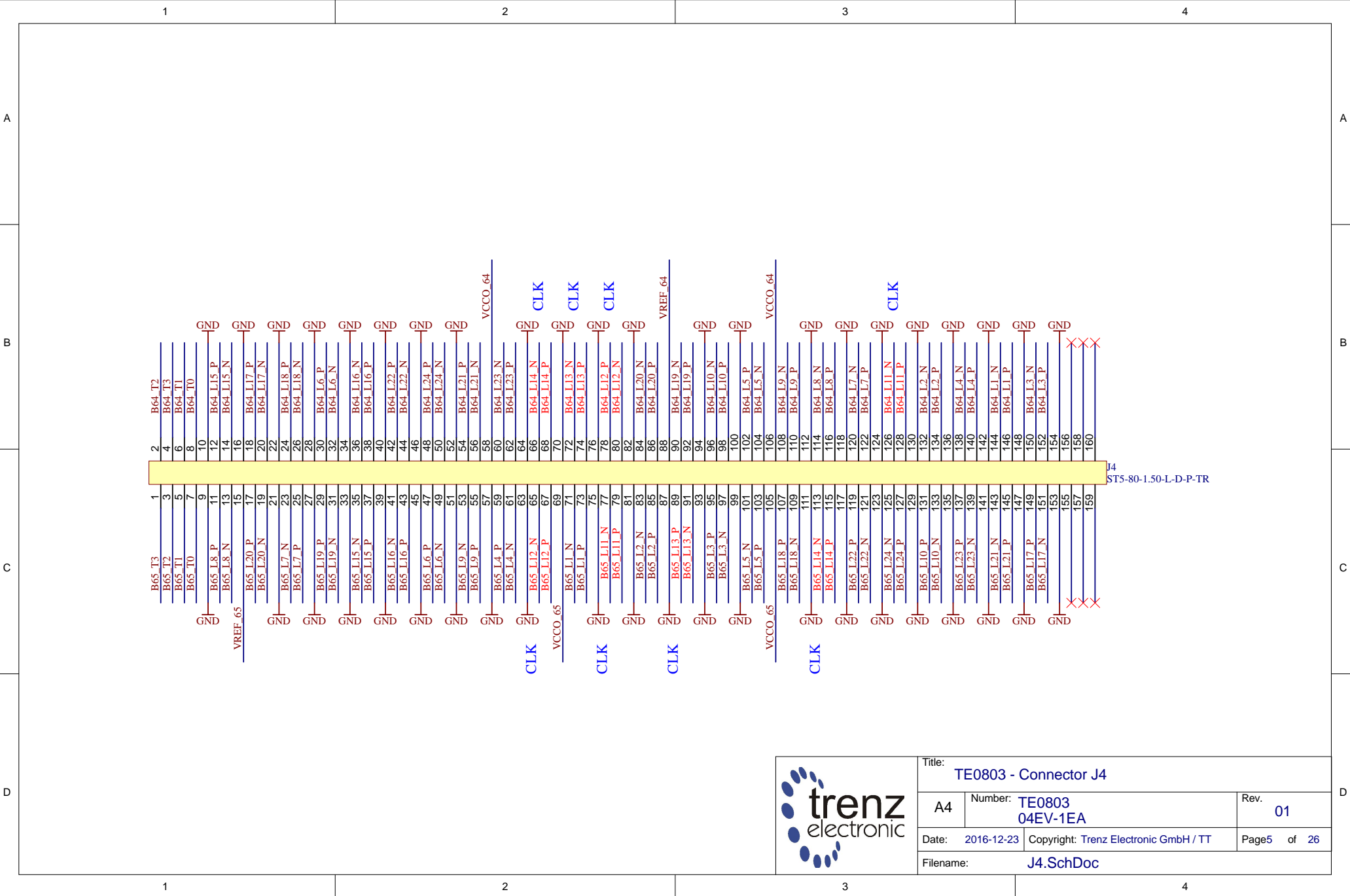
Title: TE0803 - Connector J2		
A4	Number: TE0803 04EV-1EA	Rev. 01
Date: 2016-12-23	Copyright: Trenz Electronic GmbH / TT	Page3 of 26
Filename: J2.SchDoc		

1

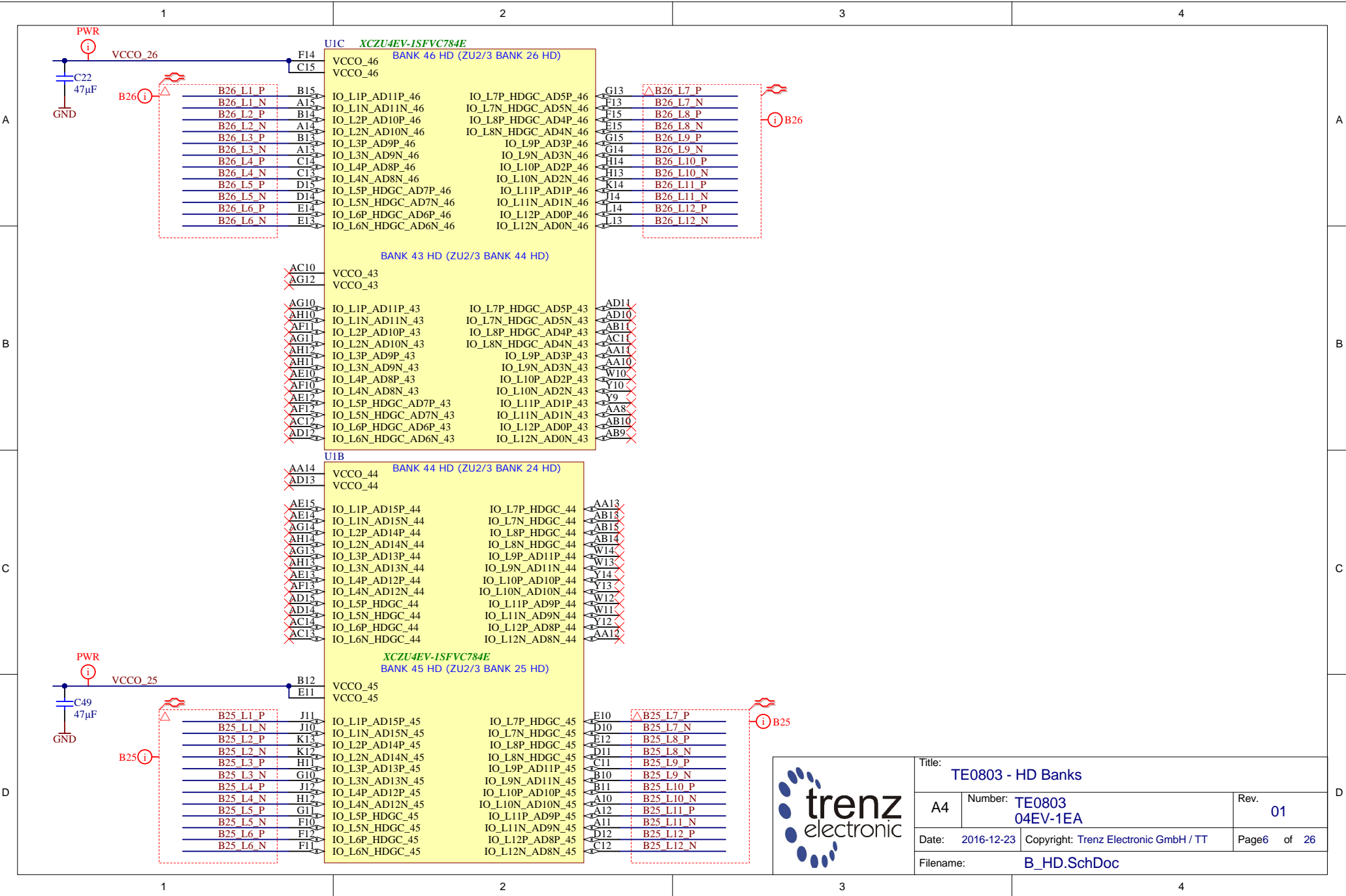
2

3

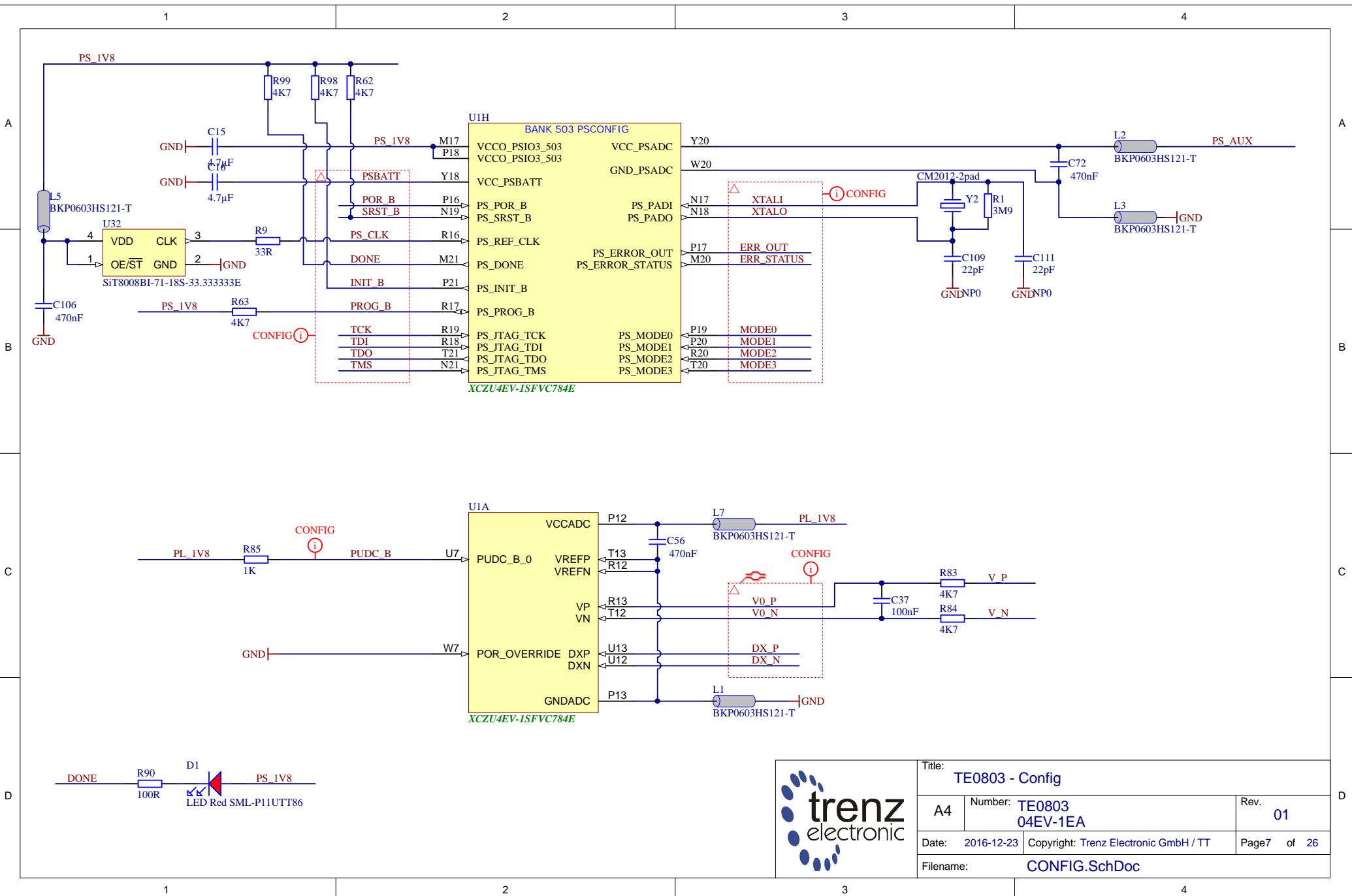
4



Title: TE0803 - Connector J4		
A4	Number: TE0803 04EV-1EA	Rev. 01
Date: 2016-12-23	Copyright: Trenz Electronic GmbH / TT	Page5 of 26
Filename: J4.SchDoc		



Title: TE0803 - HD Banks		
A4	Number: TE0803 04EV-1EA	Rev. 01
Date: 2016-12-23	Copyright: Trenz Electronic GmbH / TT	Page6 of 26
Filename: B_HD.SchDoc		



Title: TE0803 - Config		
A4	Number: TE0803 04EV-1EA	Rev. 01
Date: 2016-12-23	Copyright: Trenz Electronic GmbH / TT	Page7 of 26
Filename: CONFIG.SchDoc		

1

2

3

4

A

A

B

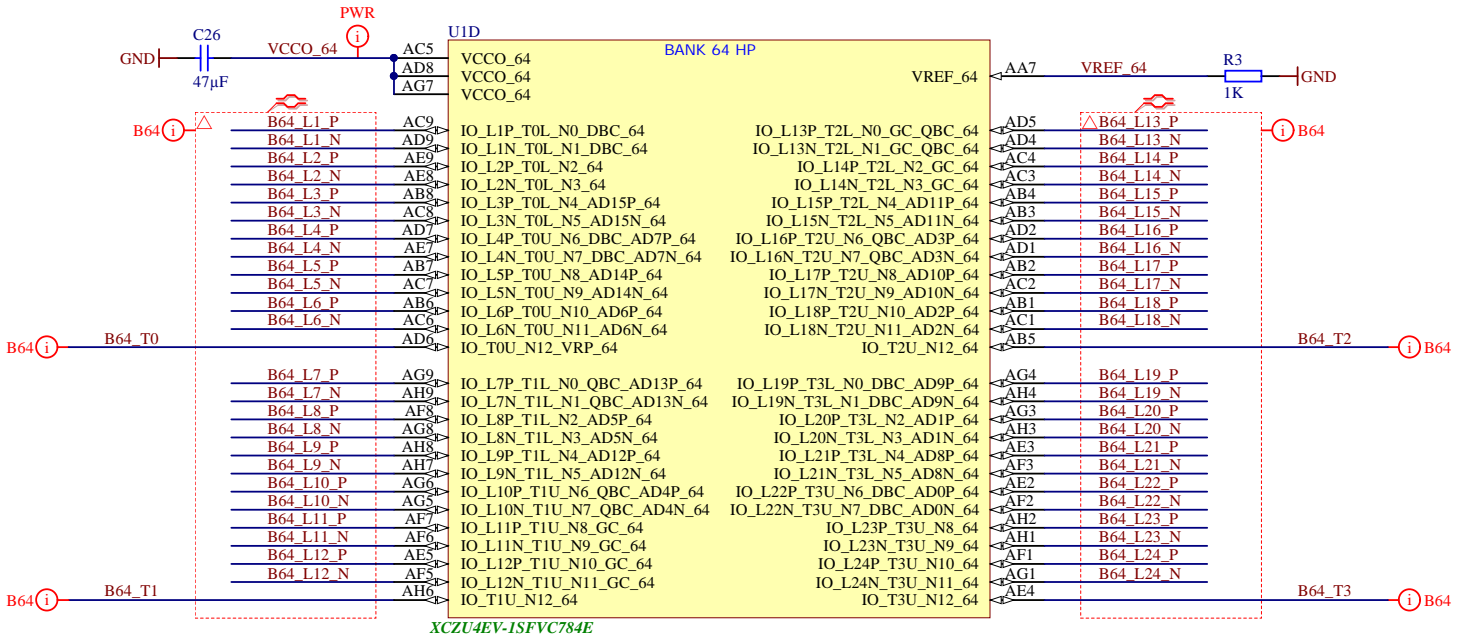
B

C

C

D

D



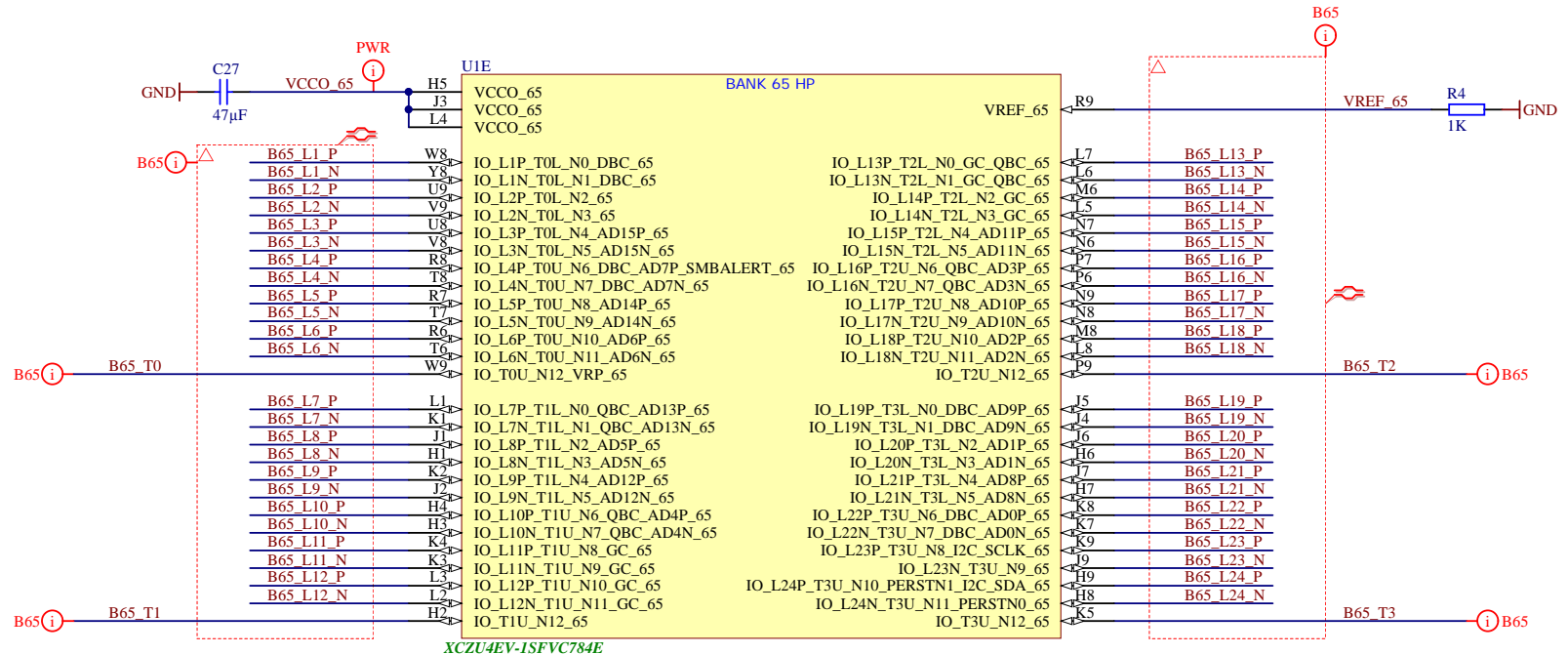
	Title: TE0803 - B64	
	A4	Number: TE0803 04EV-1EA
	Date: 2016-12-23	Copyright: Trenz Electronic GmbH / TT
	Rev. 01	Page8 of 26
Filename: B64.SchDoc		

1

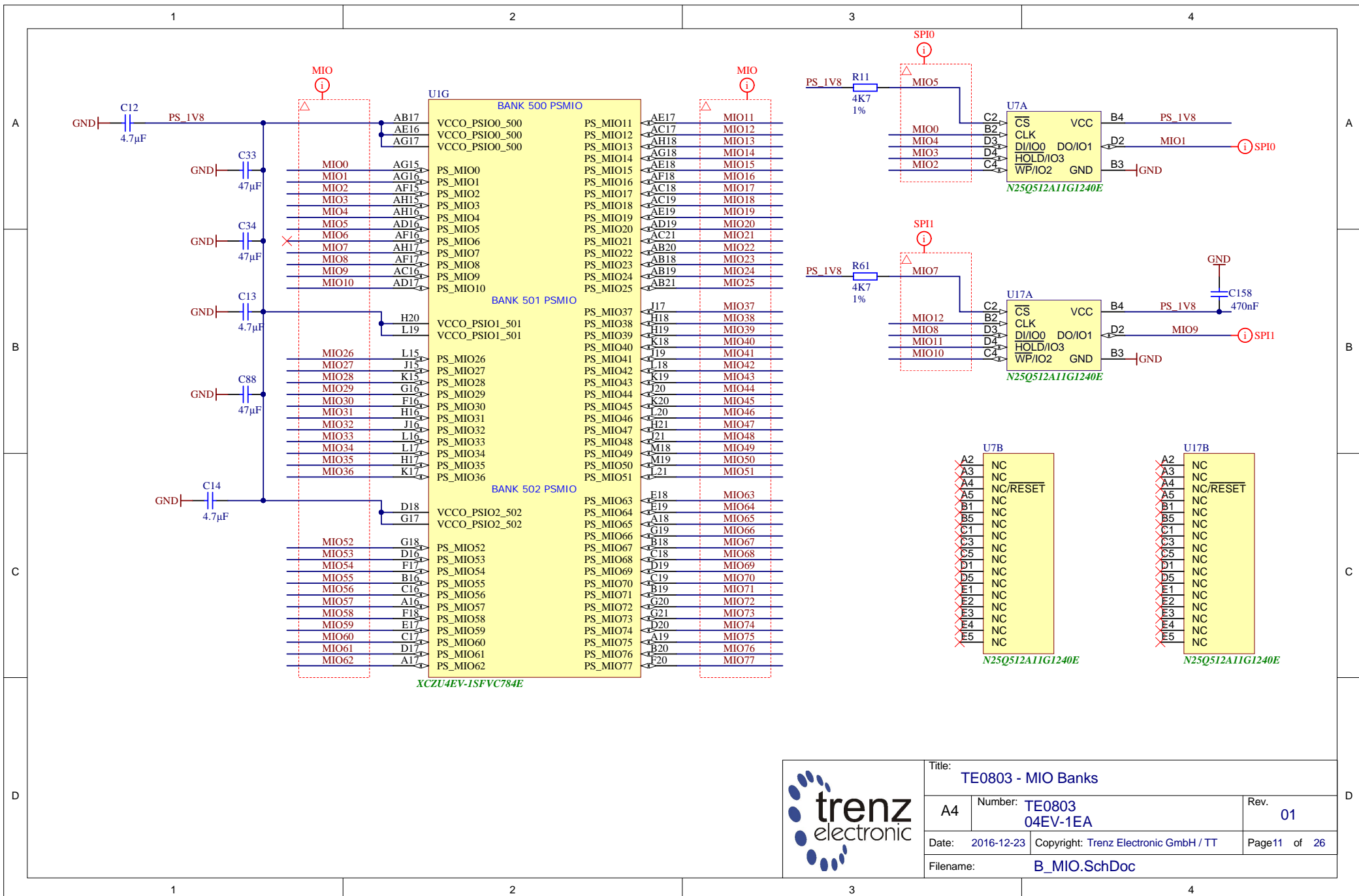
2

3

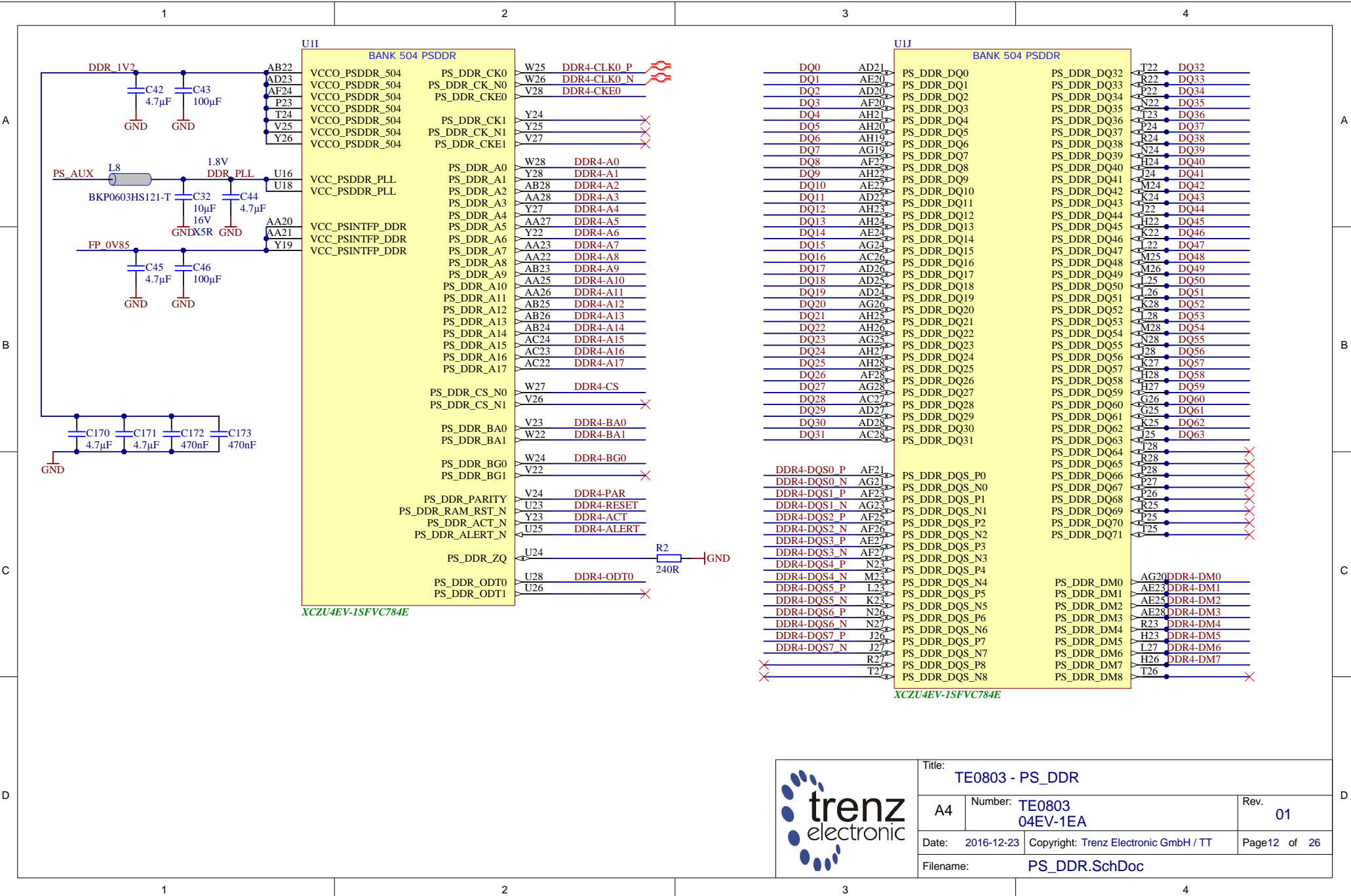
4



	Title: TE0803 - B65	
	A4	Number: TE0803 04EV-1EA
	Date: 2016-12-23	Copyright: Trenz Electronic GmbH / TT
	Filename: B65.SchDoc	Rev. 01
		Page9 of 26



	Title: TE0803 - MIO Banks		
	A4	Number: TE0803 04EV-1EA	Rev. 01
	Date: 2016-12-23	Copyright: Trenz Electronic GmbH / TT	Page 11 of 26
	Filename: B_MIO.SchDoc		



UII

BANK 504 PSDDR

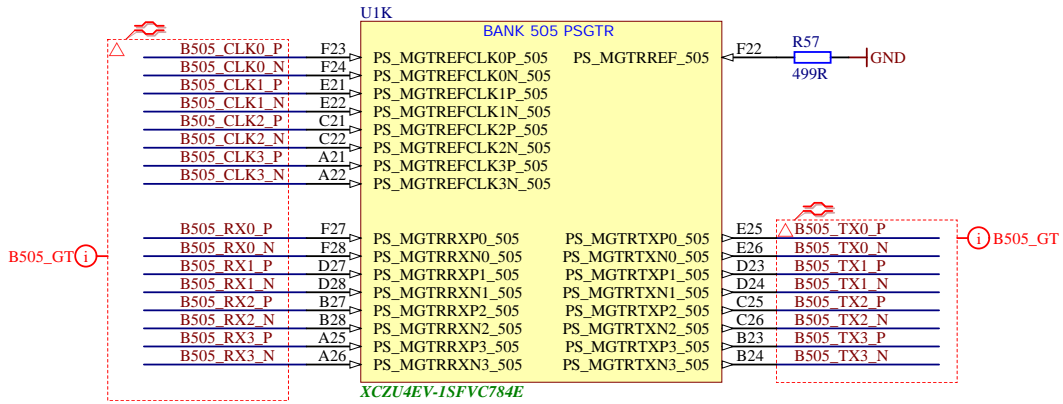
VCCO_PSDDR_504	PS_DDR_CK0	W25	DDR4-CLK0_P
VCCO_PSDDR_504	PS_DDR_CK_N0	W26	DDR4-CLK0_N
VCCO_PSDDR_504	PS_DDR_CKE0	V28	DDR4-CKE0
VCCO_PSDDR_504	PS_DDR_CK1	Y24	
VCCO_PSDDR_504	PS_DDR_CK_N1	Y25	
VCCO_PSDDR_504	PS_DDR_CKE1	V27	
VCC_PSDDR_PLL	PS_DDR_A0	W28	DDR4-A0
VCC_PSDDR_PLL	PS_DDR_A1	Y28	DDR4-A1
VCC_PSDDR_PLL	PS_DDR_A2	AB28	DDR4-A2
VCC_PSDDR_PLL	PS_DDR_A3	AA28	DDR4-A3
VCC_PSINTFP_DDR	PS_DDR_A4	Y27	DDR4-A4
VCC_PSINTFP_DDR	PS_DDR_A5	AA27	DDR4-A5
VCC_PSINTFP_DDR	PS_DDR_A6	Y22	DDR4-A6
VCC_PSINTFP_DDR	PS_DDR_A7	AA23	DDR4-A7
VCC_PSINTFP_DDR	PS_DDR_A8	AA22	DDR4-A8
VCC_PSINTFP_DDR	PS_DDR_A9	AB23	DDR4-A9
VCC_PSINTFP_DDR	PS_DDR_A10	AA25	DDR4-A10
VCC_PSINTFP_DDR	PS_DDR_A11	AA26	DDR4-A11
VCC_PSINTFP_DDR	PS_DDR_A12	AB25	DDR4-A12
VCC_PSINTFP_DDR	PS_DDR_A13	AB26	DDR4-A13
VCC_PSINTFP_DDR	PS_DDR_A14	AB24	DDR4-A14
VCC_PSINTFP_DDR	PS_DDR_A15	AC24	DDR4-A15
VCC_PSINTFP_DDR	PS_DDR_A16	AC23	DDR4-A16
VCC_PSINTFP_DDR	PS_DDR_A17	AC22	DDR4-A17
	PS_DDR_CS_N0	W27	DDR4-CS
	PS_DDR_CS_N1	V26	
	PS_DDR_BA0	V23	DDR4-BA0
	PS_DDR_BA1	W22	DDR4-BA1
	PS_DDR_BG0	W24	DDR4-BG0
	PS_DDR_BG1	V22	
	PS_DDR_PARITY	V24	DDR4-PAR
	PS_DDR_RAM_RST_N	U23	DDR4-RESET
	PS_DDR_ACT_N	Y23	DDR4-ACT
	PS_DDR_ALERT_N	U25	DDR4-ALERT
	PS_DDR_ZQ	U24	
	PS_DDR_ODT0	U28	DDR4-ODT0
	PS_DDR_ODT1	U26	


XCZU4EV-1SFVC784E

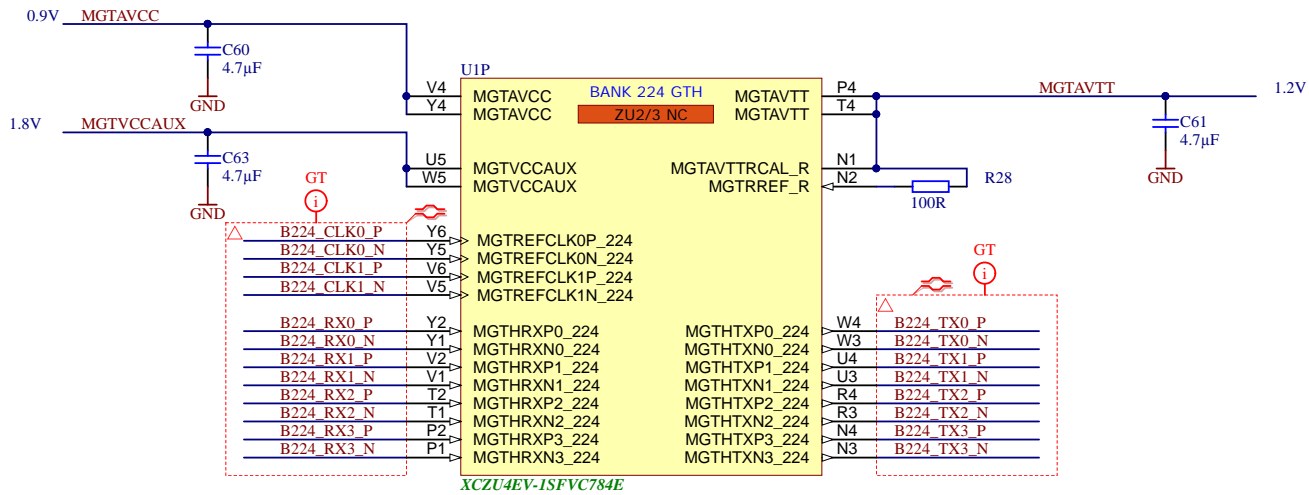
UIJ

BANK 504 PSDDR

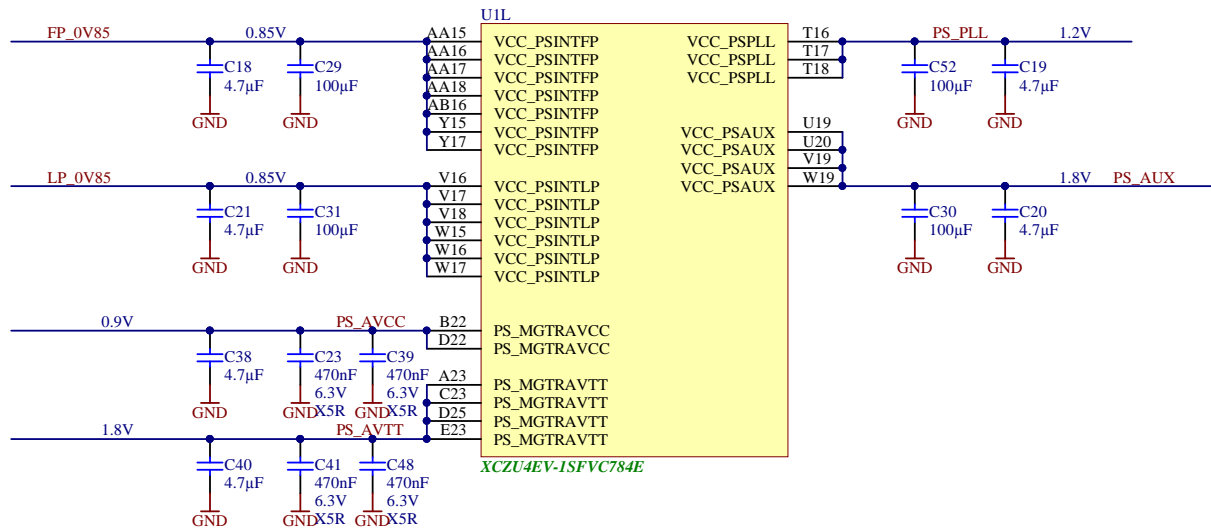
DQ0	AD21	PS_DDR_DQ0	PS_DDR_DQ32	T22	DQ32
DQ1	AE20	PS_DDR_DQ1	PS_DDR_DQ33	R22	DQ33
DQ2	AD20	PS_DDR_DQ2	PS_DDR_DQ34	P22	DQ34
DQ3	AF20	PS_DDR_DQ3	PS_DDR_DQ35	N22	DQ35
DQ4	AH21	PS_DDR_DQ4	PS_DDR_DQ36	T23	DQ36
DQ5	AH20	PS_DDR_DQ5	PS_DDR_DQ37	P24	DQ37
DQ6	AH19	PS_DDR_DQ6	PS_DDR_DQ38	R24	DQ38
DQ7	AG19	PS_DDR_DQ7	PS_DDR_DQ39	N24	DQ39
DQ8	AF22	PS_DDR_DQ8	PS_DDR_DQ40	H24	DQ40
DQ9	AH22	PS_DDR_DQ9	PS_DDR_DQ41	T24	DQ41
DQ10	AE22	PS_DDR_DQ10	PS_DDR_DQ42	M24	DQ42
DQ11	AD22	PS_DDR_DQ11	PS_DDR_DQ43	K24	DQ43
DQ12	AH23	PS_DDR_DQ12	PS_DDR_DQ44	J22	DQ44
DQ13	AH24	PS_DDR_DQ13	PS_DDR_DQ45	H22	DQ45
DQ14	AE24	PS_DDR_DQ14	PS_DDR_DQ46	K22	DQ46
DQ15	AG24	PS_DDR_DQ15	PS_DDR_DQ47	T22	DQ47
DQ16	AC26	PS_DDR_DQ16	PS_DDR_DQ48	M25	DQ48
DQ17	AD27	PS_DDR_DQ17	PS_DDR_DQ49	M26	DQ49
DQ18	AD25	PS_DDR_DQ18	PS_DDR_DQ50	L25	DQ50
DQ19	AD24	PS_DDR_DQ19	PS_DDR_DQ51	L26	DQ51
DQ20	AG26	PS_DDR_DQ20	PS_DDR_DQ52	K28	DQ52
DQ21	AH25	PS_DDR_DQ21	PS_DDR_DQ53	L28	DQ53
DQ22	AH26	PS_DDR_DQ22	PS_DDR_DQ54	M28	DQ54
DQ23	AG25	PS_DDR_DQ23	PS_DDR_DQ55	N28	DQ55
DQ24	AH27	PS_DDR_DQ24	PS_DDR_DQ56	J28	DQ56
DQ25	AH28	PS_DDR_DQ25	PS_DDR_DQ57	K27	DQ57
DQ26	AF28	PS_DDR_DQ26	PS_DDR_DQ58	H28	DQ58
DQ27	AG28	PS_DDR_DQ27	PS_DDR_DQ59	H27	DQ59
DQ28	AC27	PS_DDR_DQ28	PS_DDR_DQ60	G26	DQ60
DQ29	AD27	PS_DDR_DQ29	PS_DDR_DQ61	G25	DQ61
DQ30	AD28	PS_DDR_DQ30	PS_DDR_DQ62	K25	DQ62
DQ31	AC28	PS_DDR_DQ31	PS_DDR_DQ63	J25	DQ63
		PS_DDR_DQ64	PS_DDR_DQ65	T28	
		PS_DDR_DQ66	PS_DDR_DQ67	R28	
		PS_DDR_DQ68	PS_DDR_DQ69	P28	
		PS_DDR_DQ70	PS_DDR_DQ71	P27	
		PS_DDR_DQ72	PS_DDR_DQ73	F26	
		PS_DDR_DQ74	PS_DDR_DQ75	R25	
		PS_DDR_DQ76	PS_DDR_DQ77	P25	
		PS_DDR_DQ78	PS_DDR_DQ79	T25	
		PS_DDR_DQ80	PS_DDR_DQ81		
		PS_DDR_DQ82	PS_DDR_DQ83		
		PS_DDR_DQ84	PS_DDR_DQ85		
		PS_DDR_DQ86	PS_DDR_DQ87		
		PS_DDR_DQ88	PS_DDR_DQ89		
		PS_DDR_DQ90	PS_DDR_DQ91		
		PS_DDR_DQ92	PS_DDR_DQ93		
		PS_DDR_DQ94	PS_DDR_DQ95		
		PS_DDR_DQ96	PS_DDR_DQ97		
		PS_DDR_DQ98	PS_DDR_DQ99		
		PS_DDR_DQ100	PS_DDR_DQ101		
		PS_DDR_DQ102	PS_DDR_DQ103		
		PS_DDR_DQ104	PS_DDR_DQ105		
		PS_DDR_DQ106	PS_DDR_DQ107		
		PS_DDR_DQ108	PS_DDR_DQ109		
		PS_DDR_DQ110	PS_DDR_DQ111		
		PS_DDR_DQ112	PS_DDR_DQ113		
		PS_DDR_DQ114	PS_DDR_DQ115		
		PS_DDR_DQ116	PS_DDR_DQ117		
		PS_DDR_DQ118	PS_DDR_DQ119		
		PS_DDR_DQ120	PS_DDR_DQ121		
		PS_DDR_DQ122	PS_DDR_DQ123		
		PS_DDR_DQ124	PS_DDR_DQ125		
		PS_DDR_DQ126	PS_DDR_DQ127		
		PS_DDR_DQ128	PS_DDR_DQ129		
		PS_DDR_DQ130	PS_DDR_DQ131		
		PS_DDR_DQ132	PS_DDR_DQ133		
		PS_DDR_DQ134	PS_DDR_DQ135		
		PS_DDR_DQ136	PS_DDR_DQ137		
		PS_DDR_DQ138	PS_DDR_DQ139		
		PS_DDR_DQ140	PS_DDR_DQ141		
		PS_DDR_DQ142	PS_DDR_DQ143		
		PS_DDR_DQ144	PS_DDR_DQ145		
		PS_DDR_DQ146	PS_DDR_DQ147		
		PS_DDR_DQ148	PS_DDR_DQ149		
		PS_DDR_DQ150	PS_DDR_DQ151		
		PS_DDR_DQ152	PS_DDR_DQ153		
		PS_DDR_DQ154	PS_DDR_DQ155		
		PS_DDR_DQ156	PS_DDR_DQ157		
		PS_DDR_DQ158	PS_DDR_DQ159		
		PS_DDR_DQ160	PS_DDR_DQ161		
		PS_DDR_DQ162	PS_DDR_DQ163		
		PS_DDR_DQ164	PS_DDR_DQ165		
		PS_DDR_DQ166	PS_DDR_DQ167		
		PS_DDR_DQ168	PS_DDR_DQ169		
		PS_DDR_DQ170	PS_DDR_DQ171		
		PS_DDR_DQ172	PS_DDR_DQ173		
		PS_DDR_DQ174	PS_DDR_DQ175		
		PS_DDR_DQ176	PS_DDR_DQ177		
		PS_DDR_DQ178	PS_DDR_DQ179		
		PS_DDR_DQ180	PS_DDR_DQ181		
		PS_DDR_DQ182	PS_DDR_DQ183		
		PS_DDR_DQ184	PS_DDR_DQ185		
		PS_DDR_DQ186	PS_DDR_DQ187		
		PS_DDR_DQ188	PS_DDR_DQ189		
		PS_DDR_DQ190	PS_DDR_DQ191		
		PS_DDR_DQ192	PS_DDR_DQ193		
		PS_DDR_DQ194	PS_DDR_DQ195		
		PS_DDR_DQ196	PS_DDR_DQ197		
		PS_DDR_DQ198	PS_DDR_DQ199		
		PS_DDR_DQ200	PS_DDR_DQ201		
		PS_DDR_DQ202	PS_DDR_DQ203		
		PS_DDR_DQ204	PS_DDR_DQ205		
		PS_DDR_DQ206	PS_DDR_DQ207		
		PS_DDR_DQ208	PS_DDR_DQ209		
		PS_DDR_DQ210	PS_DDR_DQ211		
		PS_DDR_DQ212	PS_DDR_DQ213		
		PS_DDR_DQ214	PS_DDR_DQ215		
		PS_DDR_DQ216	PS_DDR_DQ217		
		PS_DDR_DQ218	PS_DDR_DQ219		
		PS_DDR_DQ220	PS_DDR_DQ221		
		PS_DDR_DQ222	PS_DDR_DQ223		
		PS_DDR_DQ224	PS_DDR_DQ225		
		PS_DDR_DQ226	PS_DDR_DQ227		
		PS_DDR_DQ228	PS_DDR_DQ229		
		PS_DDR_DQ230	PS_DDR_DQ231		
		PS_DDR_DQ232	PS_DDR_DQ233		
		PS_DDR_DQ234	PS_DDR_DQ235		
		PS_DDR_DQ236	PS_DDR_DQ237		
		PS_DDR_DQ238	PS_DDR_DQ239		
		PS_DDR_DQ240	PS_DDR_DQ241		
		PS_DDR_DQ242	PS_DDR_DQ243		
		PS_DDR_DQ244	PS_DDR_DQ245		
		PS_DDR_DQ246	PS_DDR_DQ247		
		PS_DDR_DQ248	PS_DDR_DQ249		
		PS_DDR_DQ250	PS_DDR_DQ251		
		PS_DDR_DQ252	PS_DDR_DQ253		
		PS_DDR_DQ254	PS_DDR_DQ255		
		PS_DDR_DQ256	PS_DDR_DQ257		
		PS_DDR_DQ258	PS_DDR_DQ259		
		PS_DDR_DQ260	PS_DDR_DQ261		
		PS_DDR_DQ262	PS_DDR_DQ263		
		PS_DDR_DQ264	PS_DDR_DQ265		
		PS_DDR_DQ266	PS_DDR_DQ267		
		PS_DDR_DQ268	PS_DDR_DQ269		
		PS_DDR_DQ270	PS_DDR_DQ271		
		PS_DDR_DQ272	PS_DDR_DQ273		
		PS_DDR_DQ274	PS_DDR_DQ275		
		PS_DDR_DQ276	PS_DDR_DQ277		
		PS_DDR_DQ278	PS_DDR_DQ279		
		PS_DDR_DQ280	PS_DDR_DQ281		
		PS_DDR_DQ282	PS_DDR_DQ283		
		PS_DDR_DQ284	PS_DDR_DQ285		
		PS_DDR_DQ286	PS_DDR_DQ287		
		PS_DDR_DQ288	PS_DDR_DQ289		
		PS_DDR_DQ290	PS_DDR_DQ291		
		PS_DDR_DQ292	PS_DDR_DQ293		
		PS_DDR_DQ294	PS_DDR_DQ295		
		PS_DDR_DQ296	PS_DDR_DQ297		
		PS_DDR_DQ298	PS_DDR_DQ299		
		PS_DDR_DQ300	PS_DDR_DQ301		
		PS_DDR_DQ302	PS_DDR_DQ303		
		PS_DDR_DQ304	PS_DDR_DQ305		
		PS_DDR_DQ306	PS_DDR_DQ307		
		PS_DDR_DQ308	PS_DDR_DQ309		
		PS_DDR_DQ310	PS_DDR_DQ311		
		PS_DDR_DQ312	PS_DDR_DQ313		
		PS_DDR_DQ314	PS_DDR_DQ315		
		PS_DDR_DQ316	PS_DDR_DQ317		
		PS_DDR_DQ318	PS_DDR_DQ319		
		PS_DDR_DQ320	PS_DDR_DQ321		
		PS_DDR_DQ322	PS_DDR_DQ323		
		PS_DDR_DQ324	PS_DDR_DQ325		
		PS_DDR_DQ326	PS_DDR_DQ327		
		PS_DDR_DQ328	PS_DDR_DQ329		
		PS_DDR_DQ330	PS_DDR_DQ331		
		PS_DDR_DQ332	PS_DDR_DQ333		
		PS_DDR_DQ334	PS_DDR_DQ335		
		PS_DDR_DQ336	PS_DDR_DQ337		
		PS_DDR_DQ338	PS_DDR_DQ339		
		PS_DDR_DQ340	PS_DDR_DQ341		
		PS_DDR_DQ342	PS_DDR_DQ343		
		PS_DDR_DQ344	PS_DDR_DQ345		
		PS_DDR_DQ346	PS_DDR_DQ347		
		PS_DDR_DQ348	PS_DDR_DQ349		
		PS_DDR_DQ350	PS_DDR_DQ351		
		PS_DDR_DQ352	PS_DDR_DQ353		
		PS_DDR_DQ354	PS_DDR_DQ355		
		PS_DDR_DQ356	PS_DDR_DQ357		
		PS_DDR_DQ358	PS_DDR_DQ359		
		PS_DDR_DQ360	PS_DDR_DQ361		
		PS_DDR_DQ362	PS_DDR_DQ363		
		PS_DDR_DQ364	PS_DDR_DQ365		
		PS_DDR_DQ366	PS_DDR_DQ367		
		PS_DDR_DQ368	PS_DDR_DQ369		
		PS_DDR_DQ370	PS_DDR_DQ371		
		PS_DDR_DQ372	PS_DDR_DQ373		
		PS_DDR_DQ374	PS_DDR_DQ375		
		PS_DDR_DQ376	PS_DDR_DQ377		
		PS_DDR_DQ378	PS_DDR_DQ379		
		PS_DDR_DQ380	PS_DDR_DQ381		
		PS_DDR_DQ382	PS_DDR_DQ383		
		PS_DDR_DQ384	PS_DDR_DQ385		
		PS_DDR_DQ386	PS_DDR_DQ387		
		PS_DDR_DQ388	PS_DDR_DQ389		
		PS_DDR_DQ390	PS_DDR_DQ391		
		PS_DDR_DQ392	PS_DDR_DQ393		
		PS_DDR_DQ394	PS_DDR_DQ395		
		PS_DDR_DQ396	PS_DDR_DQ397		
		PS_DDR_DQ398	PS_DDR_DQ399		
		PS_DDR_DQ400	PS_DDR_DQ401		
		PS_DDR_DQ402	PS_DDR_DQ403		
		PS_DDR_DQ404	PS_DDR_DQ405		
		PS_DDR_DQ406	PS_DDR_DQ407		
		PS_DDR_DQ408	PS_DDR_DQ409		
		PS_DDR_DQ410	PS_DDR_DQ411		
		PS_DDR_DQ412	PS_DDR_DQ413		
		PS_DDR_DQ414	PS_DDR_DQ415		
		PS_DDR_DQ416	PS_DDR_DQ417		
		PS_DDR_DQ418	PS_DDR_DQ419		
		PS_DDR_DQ420	PS_DDR_DQ421		
		PS_DDR_DQ422	PS_DDR_DQ423		
		PS_DDR_DQ424	PS_DDR_DQ425		
		PS_DDR_DQ426	PS_DDR_DQ427		
		PS_DDR_DQ428	PS_DDR_DQ429		
		PS_DDR_DQ430	PS_DDR_DQ431		
		PS_DDR_DQ432	PS_DDR_DQ433		
		PS_DDR_DQ434	PS_DDR_DQ435		
		PS_DDR_DQ436	PS_DDR_DQ437		
		PS_DDR_DQ438	PS_DDR_DQ439		
		PS_DDR_DQ440	PS_DDR_DQ441		
		PS_DDR_DQ442	PS_DDR_DQ443		
		PS_DDR_DQ444	PS_DDR_DQ445		
		PS_DDR_DQ446	PS_DDR_DQ447		
		PS_DDR_DQ448	PS_DDR_DQ449		
		PS_DDR_DQ450	PS_DDR_DQ451		




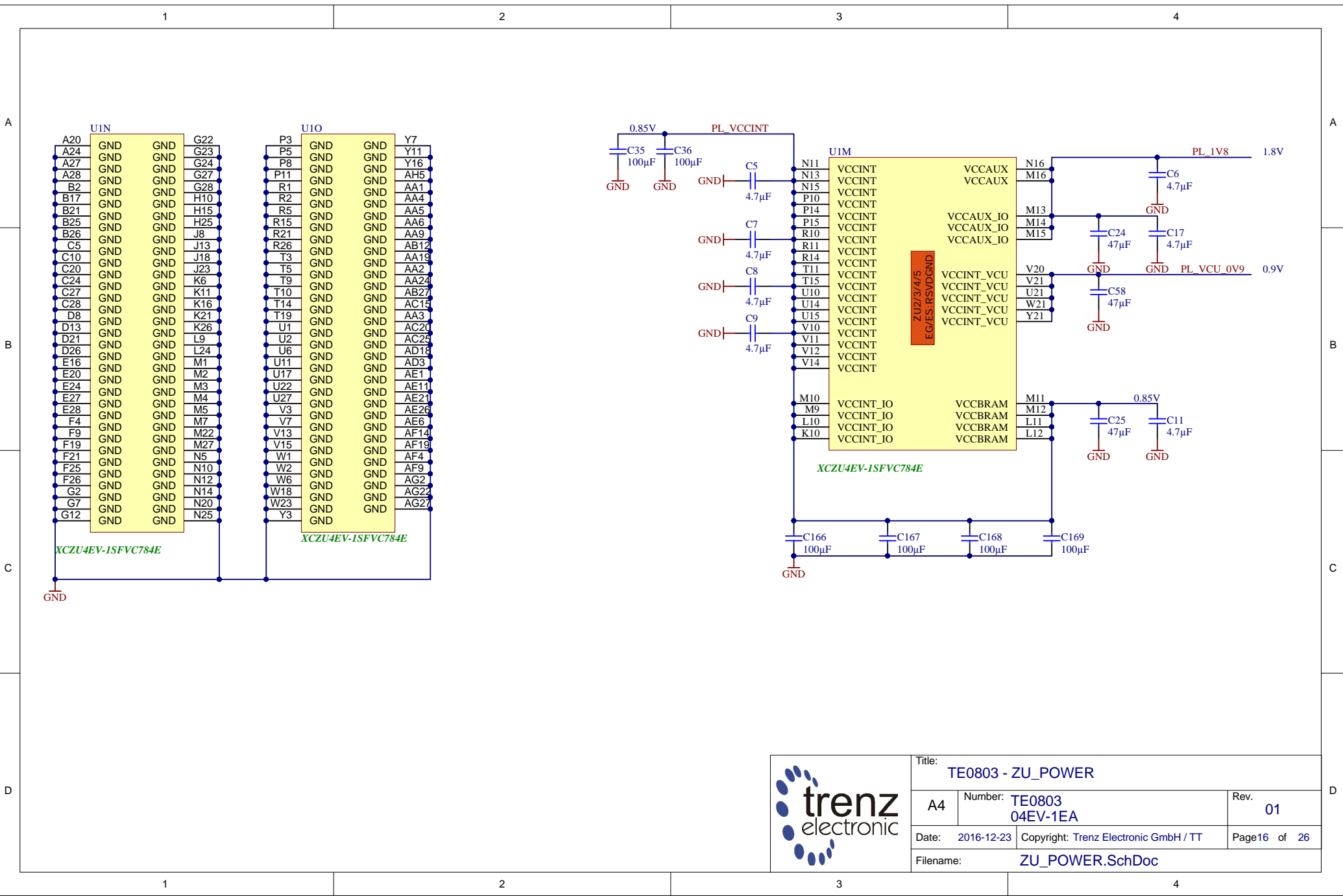
	Title: TE0803 - PS_GT		
	A4	Number: TE0803 04EV-1EA	Rev. 01
	Date: 2016-12-23	Copyright: Trenz Electronic GmbH / TT	Page13 of 26
	Filename: B_PS_GT.SchDoc		




Title: TE0803 - B224GTH		
A4	Number: TE0803 04EV-1EA	Rev. 01
Date: 2016-12-23	Copyright: Trenz Electronic GmbH / TT	Page 14 of 26
Filename: B_GT.SchDoc		



		Title: TE0803 - ZU_PS_POWER	
		A4	Number: TE0803 04EV-1EA
Date: 2016-12-23		Copyright: Trenz Electronic GmbH / TT	
Filename: ZU_PS_POWER.SchDoc		Page 15 of 26	



			Title: TE0803 - ZU_POWER	
			A4	Number: TE0803 04EV-1EA
Date: 2016-12-23		Copyright: Trenz Electronic GmbH / TT		Page16 of 26
Filename: ZU_POWER.SchDoc				

1

2

3

4

A

A

B

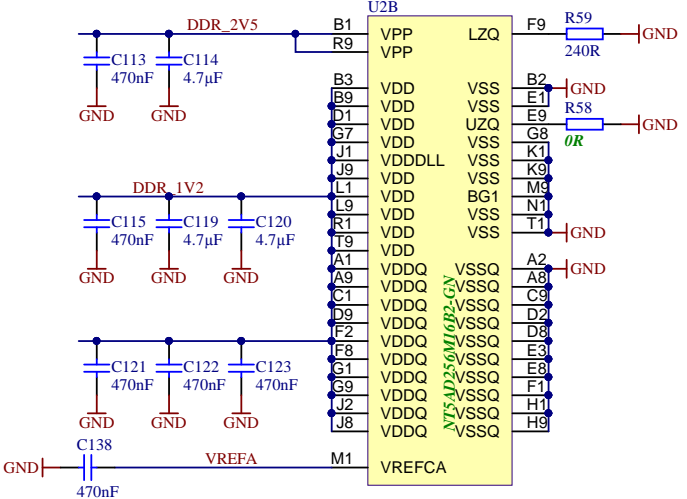
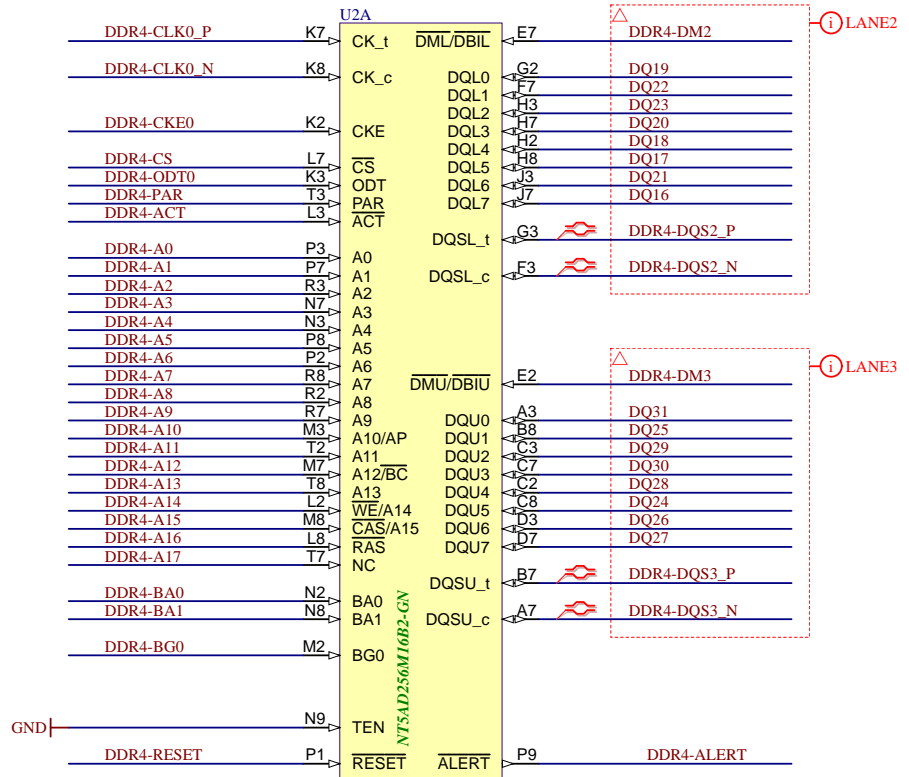
B

C

C

D

D



Title: TE0803 - DDR4_1_RAM		
A4	Number: TE0803 04EV-1EA	Rev. 01
Date: 2016-12-23	Copyright: Trenz Electronic GmbH / TT	Page 17 of 26
Filename: DDR4-RAM.SchDoc		

1

2

3

4

1

2

3

4

A

A

B

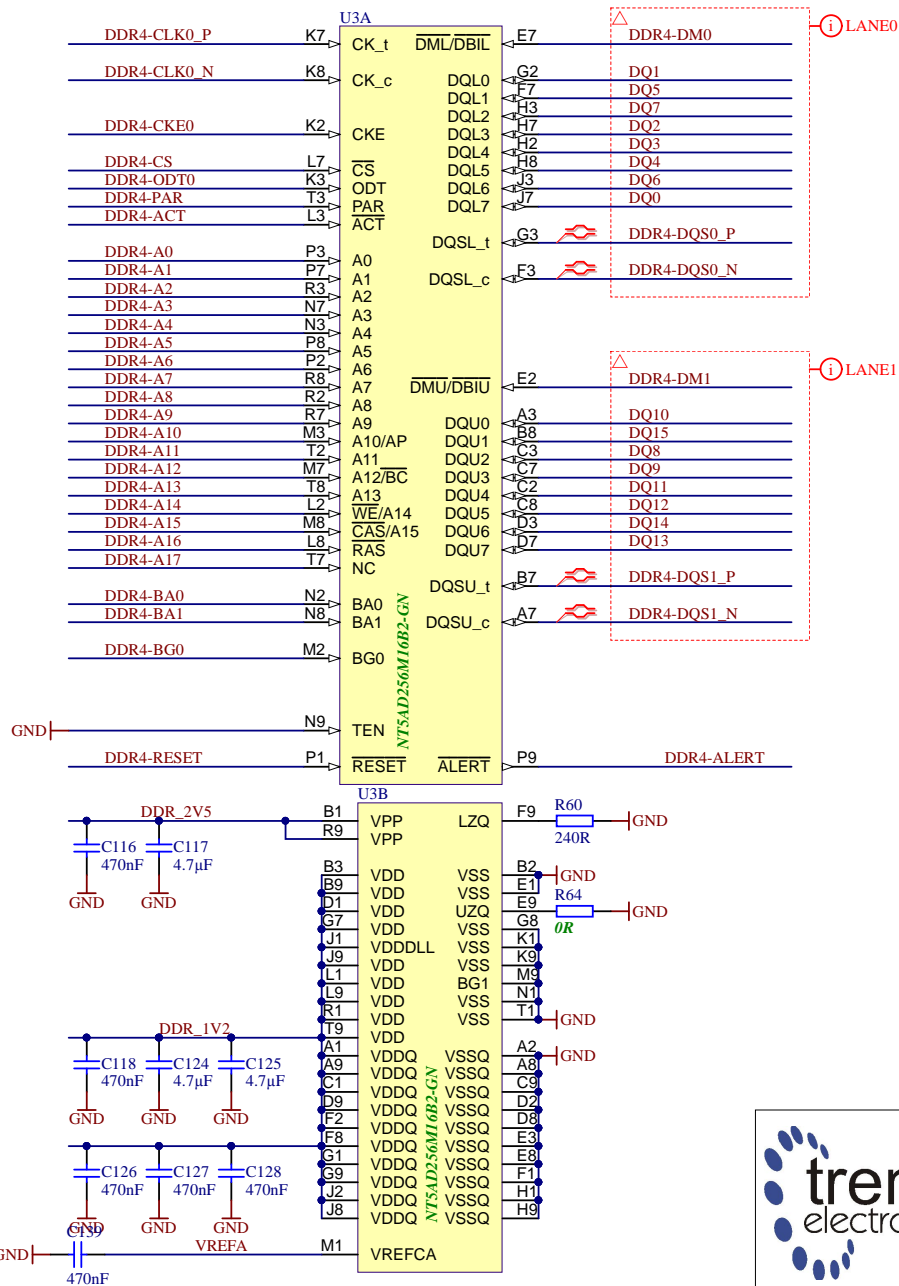

B

C

C

D

D

Title: TE0803 - DDR4_2_RAM		
A4	Number: TE0803 04EV-1EA	Rev. 01
Date: 2016-12-23	Copyright: Trenz Electronic GmbH / TT	Page 18 of 26
Filename: DDR4-RAM_2.SchDoc		

1

2

3

4

1

2

3

4

A

A

B

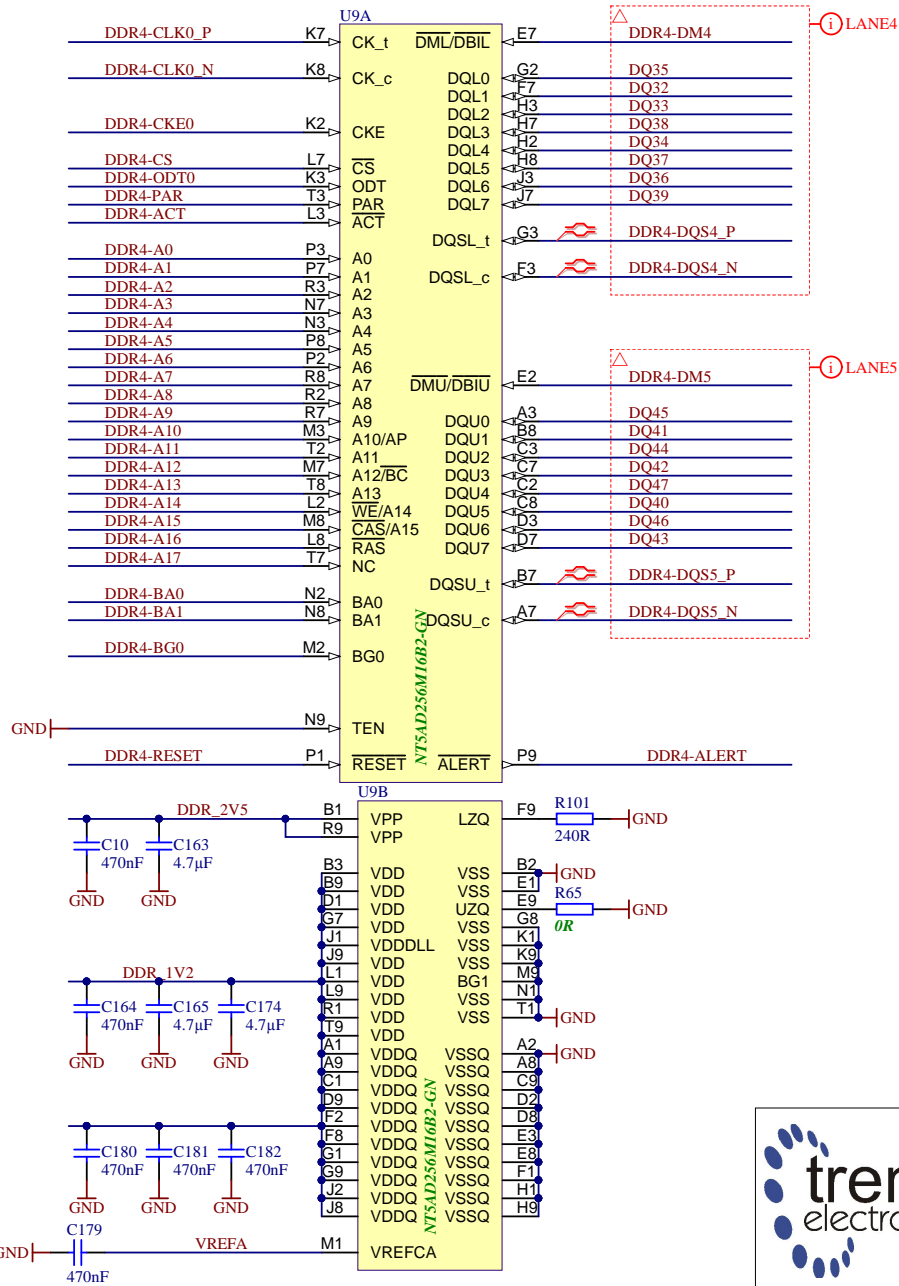
B

C

C

D

D



Title: TE0803 - DDR4_3_RAM		
A4	Number: TE0803 04EV-1EA	Rev. 01
Date: 2016-12-23	Copyright: Trenz Electronic GmbH / TT	Page 19 of 26
Filename: DDR4-RAM_3.SchDoc		

1

2

3

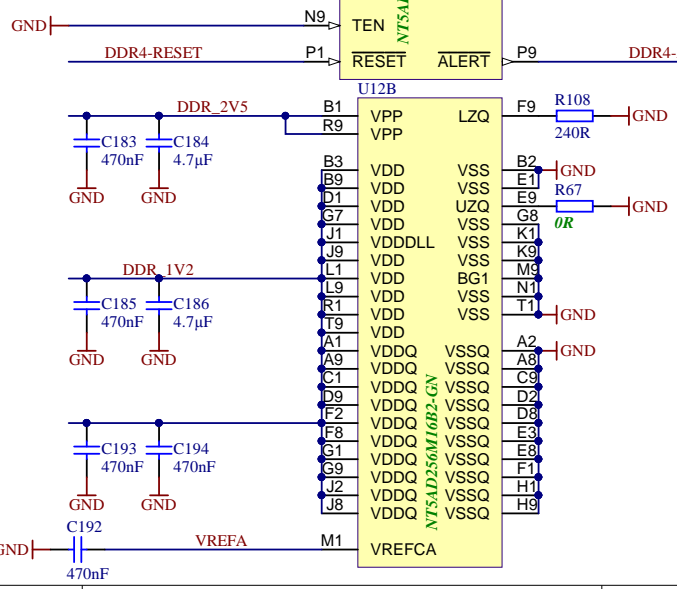
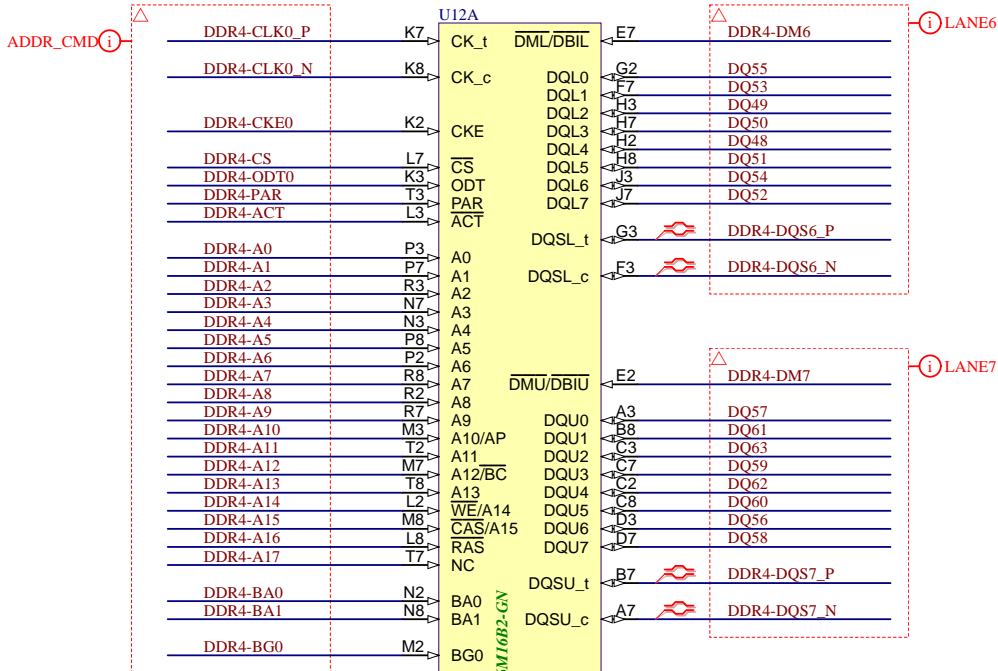
4

1

2

3

4



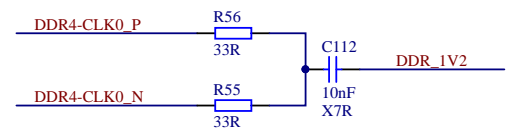
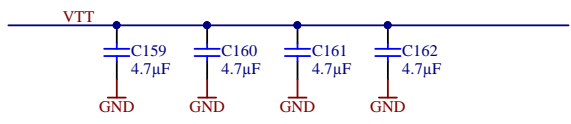
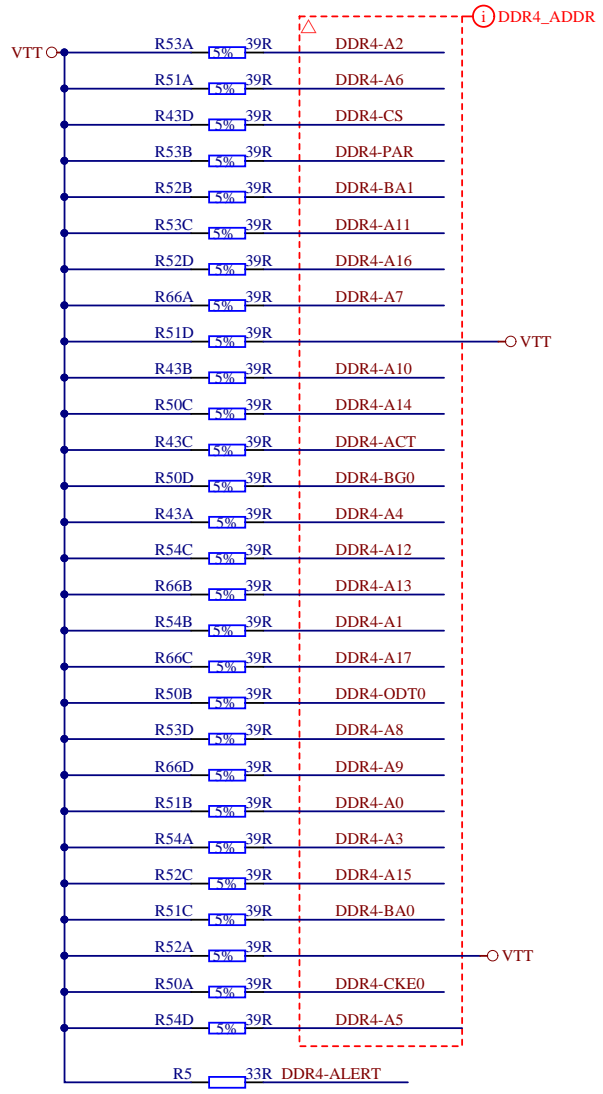
Title: TE0803 - DDR4_4_RAM		
A4	Number: TE0803 04EV-1EA	Rev. 01
Date: 2016-12-23	Copyright: Trenz Electronic GmbH / TT	Page20 of 26
Filename: DDR4-RAM_4.SchDoc		

1

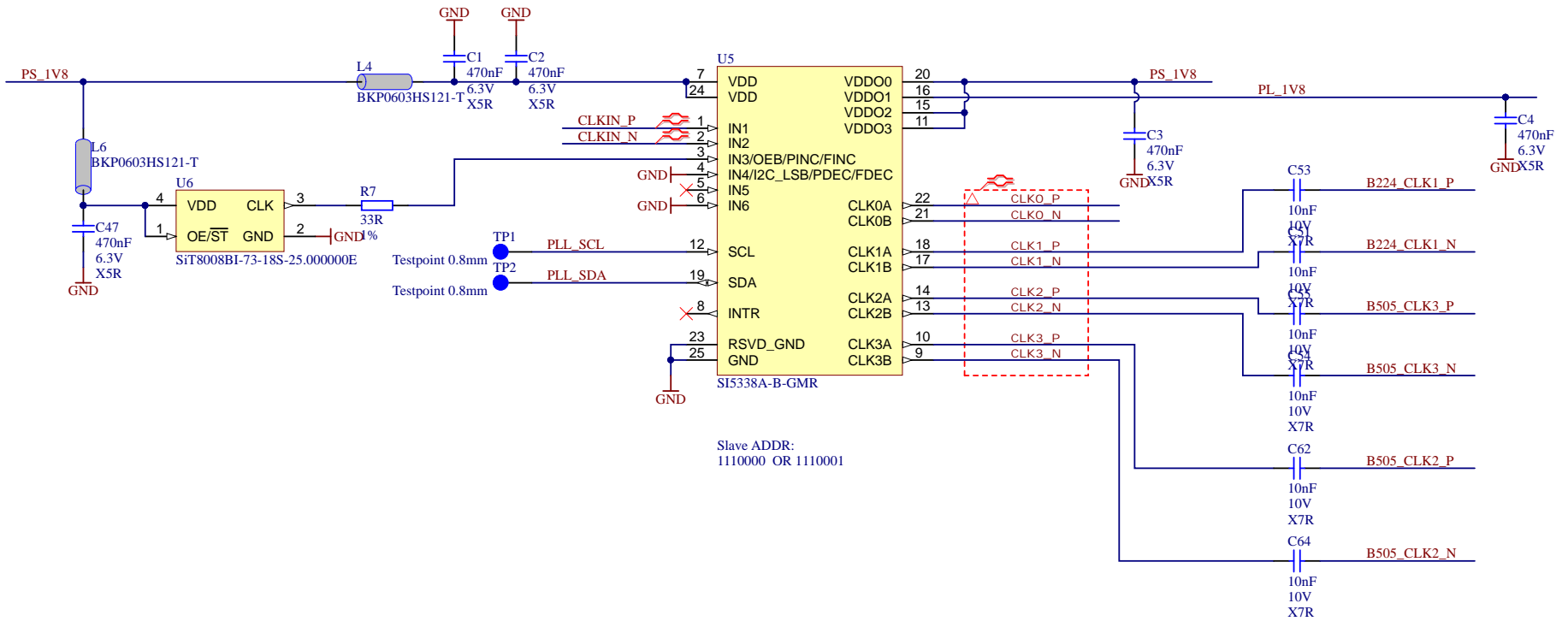
2

3

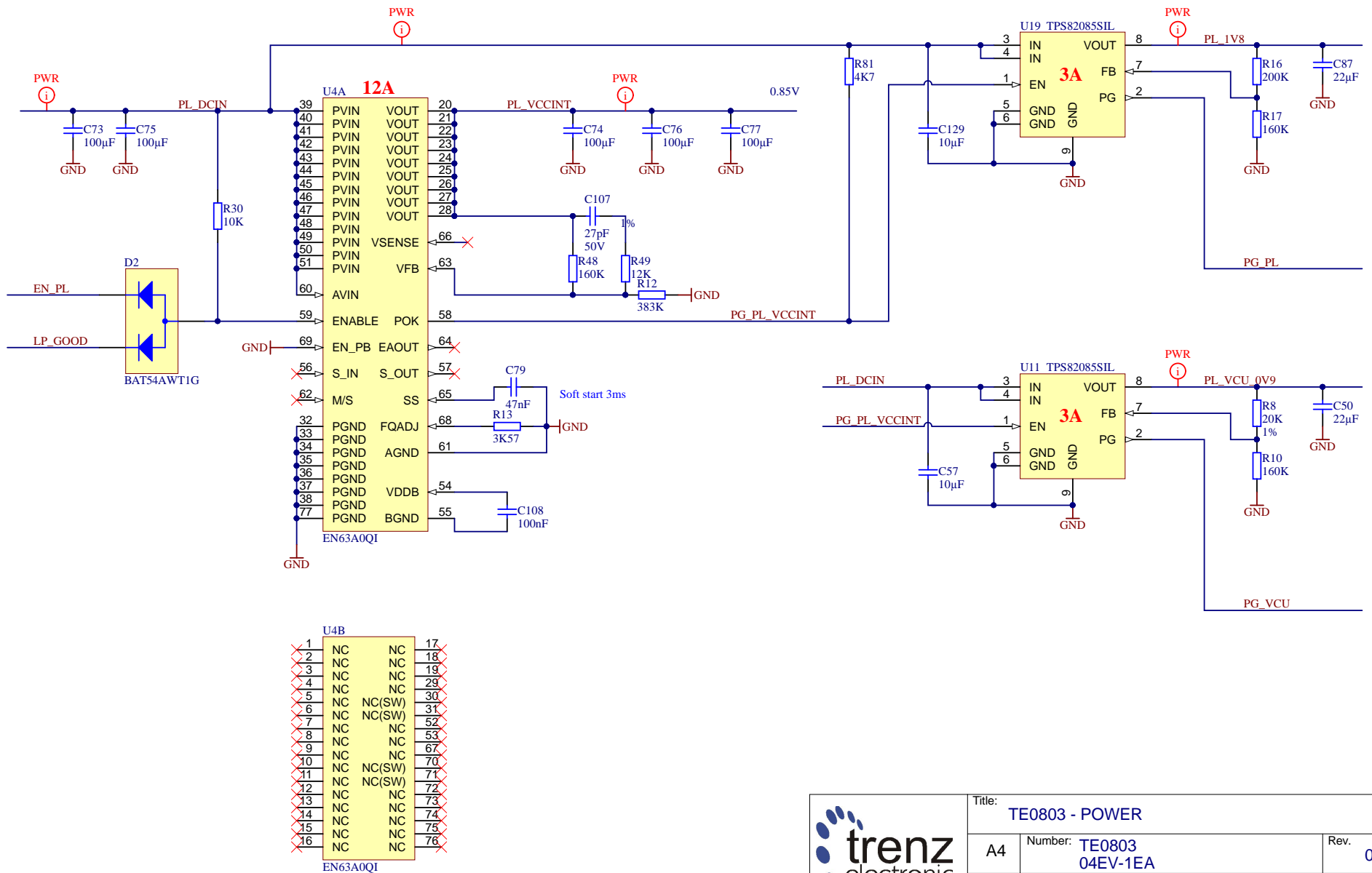
4



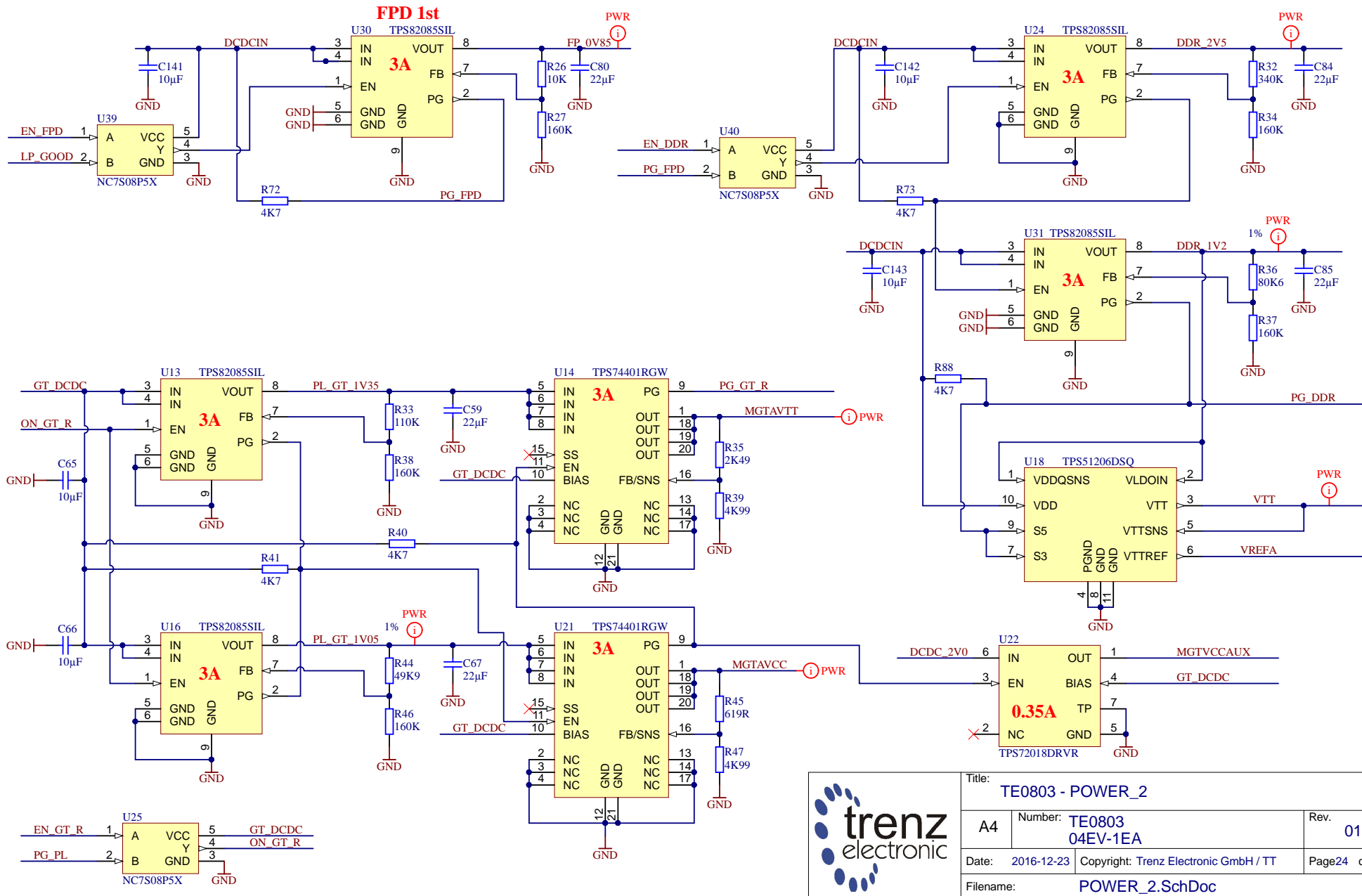
Title: TE0803 - DDR4_TERM		
A4	Number: TE0803 04EV-1EA	Rev. 01
Date: 2016-12-23	Copyright: Trenz Electronic GmbH / TT	Page21 of 26
Filename: DDR4-TERM.SchDoc		



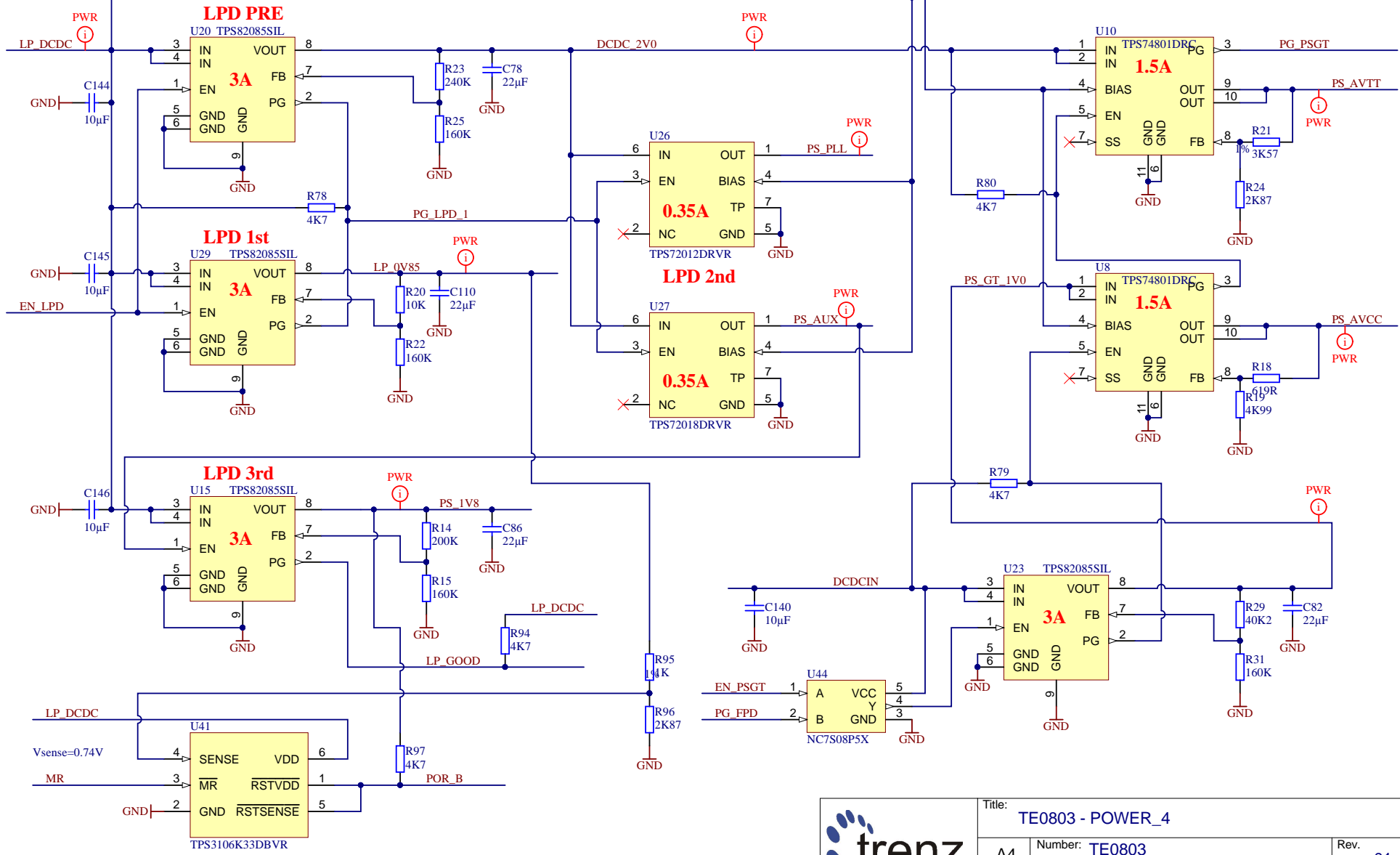
Title: TE0803 - CLOCK		
A4	Number: TE0803 04EV-1EA	Rev. 01
Date: 2016-12-23	Copyright: Trenz Electronic GmbH / TT	Page22 of 26
Filename: Clock.SchDoc		




Title: TE0803 - POWER		
A4	Number: TE0803 04EV-1EA	Rev. 01
Date: 2016-12-23	Copyright: Trenz Electronic GmbH / TT	Page23 of 26
Filename: POWER.SchDoc		



Title: TE0803 - POWER_2		
A4	Number: TE0803 04EV-1EA	Rev. 01
Date: 2016-12-23	Copyright: Trenz Electronic GmbH / TT	Page24 of 26
Filename: POWER_2.SchDoc		



			Title: TE0803 - POWER_4	
			A4	Number: TE0803 04EV-1EA
Date: 2016-12-23		Copyright: Trenz Electronic GmbH / TT		Page25 of 26
Filename: POWER_4.SchDoc				

1

2

3

4

CHANGES REV01a (20.11.2017):

1) VCU voltage set to 0.9V, R20 changed to 40K , PL_VCU_1V0 renamed to PL_VCU_0V9.

A

A

B

B

C

C

D

D



Title: TE0803 - Changes list		
A4	Number: TE0803 04EV-1EA	Rev. 01
Date: 2017-01-27	Copyright: Trenz Electronic GmbH	Page26 of 26
Filename: Revision_Changes.SchDoc		

1

2

3

4