

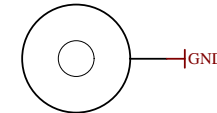
1

2

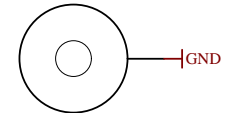
3

4

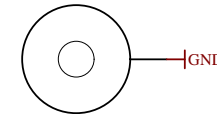
U_J1 J1.SchDoc	U_B_PS_GT B_PS_GT.SchDoc	U_DDR4-TERM DDR4-TERM.SchDoc
U_J2 J2.SchDoc	U_PS_DDR PS_DDR.SchDoc	U_ZU_POWER ZU_POWER.SchDoc
U_J3 J3.SchDoc	U_B_MIO B_MIO.SchDoc	U_ZU_PS_POWER ZU_PS_POWER.SchDoc
U_J4 J4.SchDoc	U_B_HD B_HD.SchDoc	U_POWER POWER.SchDoc
U_DDR4-TERM DDR4-TERM.SchDoc	U_Clock Clock.SchDoc	U_POWER_2 POWER_2.SchDoc
U_B64 B64.SchDoc	U_CONFIG CONFIG.SchDoc	
U_B65 B65.SchDoc	U_DDR4-RAM DDR4-RAM.SchDoc	U_POWER_4 POWER_4.SchDoc
U_B66 B66.SchDoc	U_DDR4-RAM_2 DDR4-RAM_2.SchDoc	U_REV_CH Revision_Changes.SchDoc
U_B_GT B_GT.SchDoc	U_DDR4-RAM_3 DDR4-RAM_3.SchDoc	
	U_DDR4-RAM_4 DDR4-RAM_4.SchDoc	



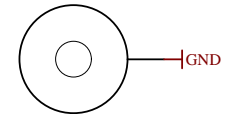
Mount.Hole 3.2mm für Unterlegscheibe



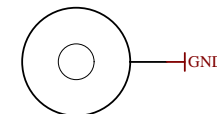
Mount.Hole 3.2mm für Unterlegscheibe



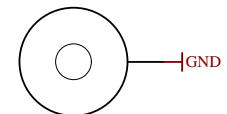
Mount.Hole 3.2mm für Unterlegscheibe



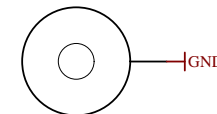
Mount.Hole 3.2mm für Unterlegscheibe



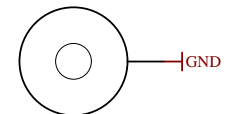
Mount.Hole 3.2mm für Unterlegscheibe



Mount.Hole 3.2mm für Unterlegscheibe



Mount.Hole 3.2mm für Unterlegscheibe



Mount.Hole 3.2mm für Unterlegscheibe

FIDU-DOT - small



PM1 FIDU-DOT - small



PM3 FIDU-DOT - small



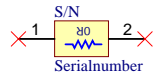
PM5

LOGO1

TE Logo PRINT Layer

LOGO PRINT

Serial  
Serial  
Serialnumber 6,3 x 6.3mm



Title: TE0803		
A4	Number: TE0803 05EV-1EA	Rev. 01
Date: 2016-12-23	Copyright: Trenz Electronic GmbH / TT	Page1 of 26
Filename: TE0803.SchDoc		

1

2

3

4



1

2

3

4

A

A

B

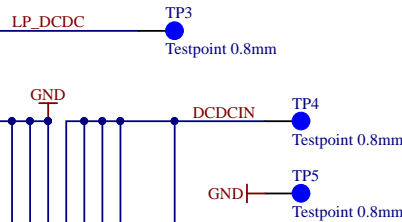
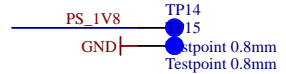
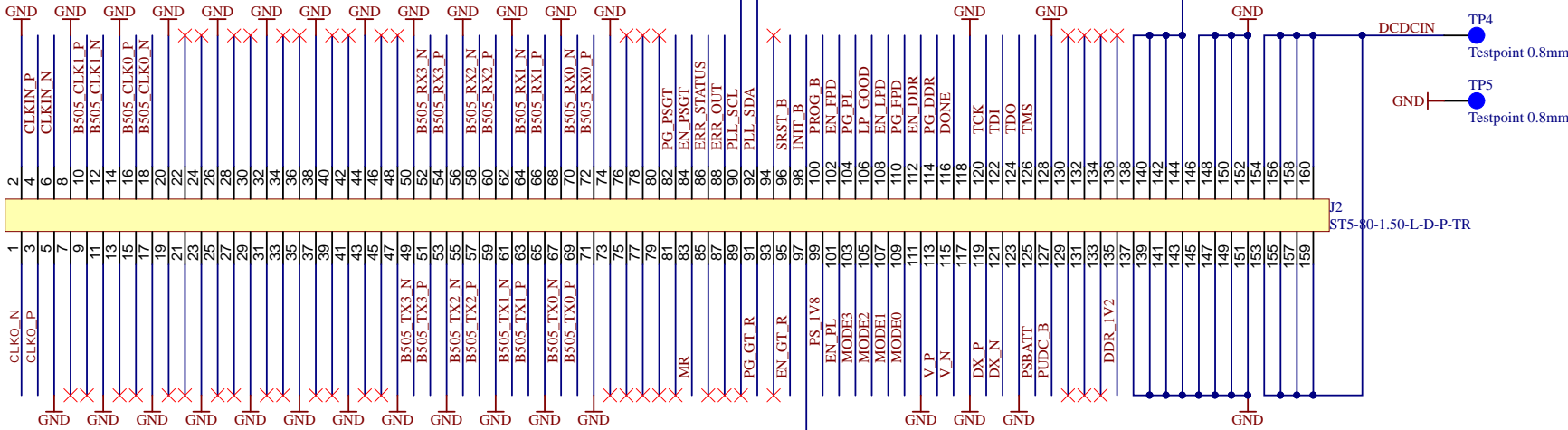
B

C

C

D

D



1

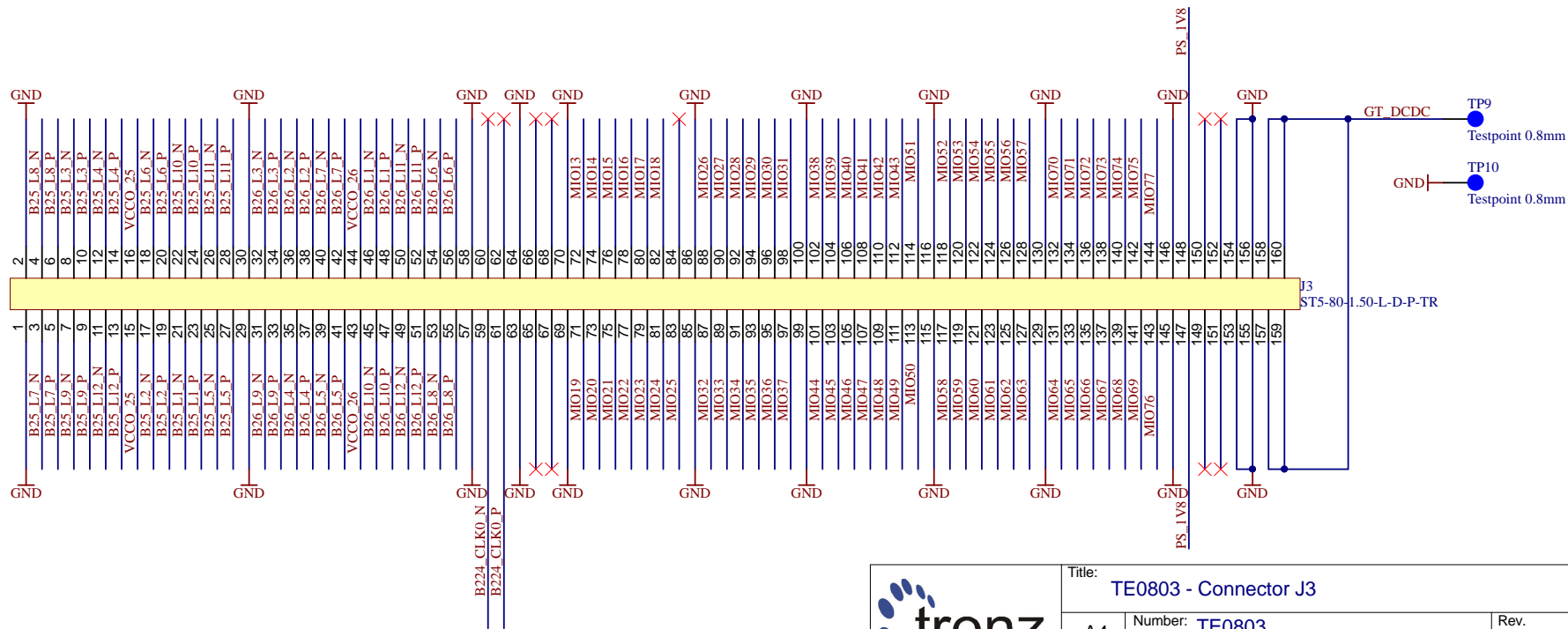
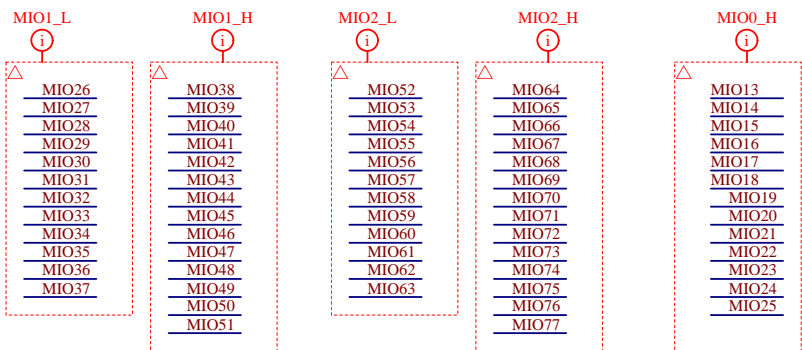
2

3

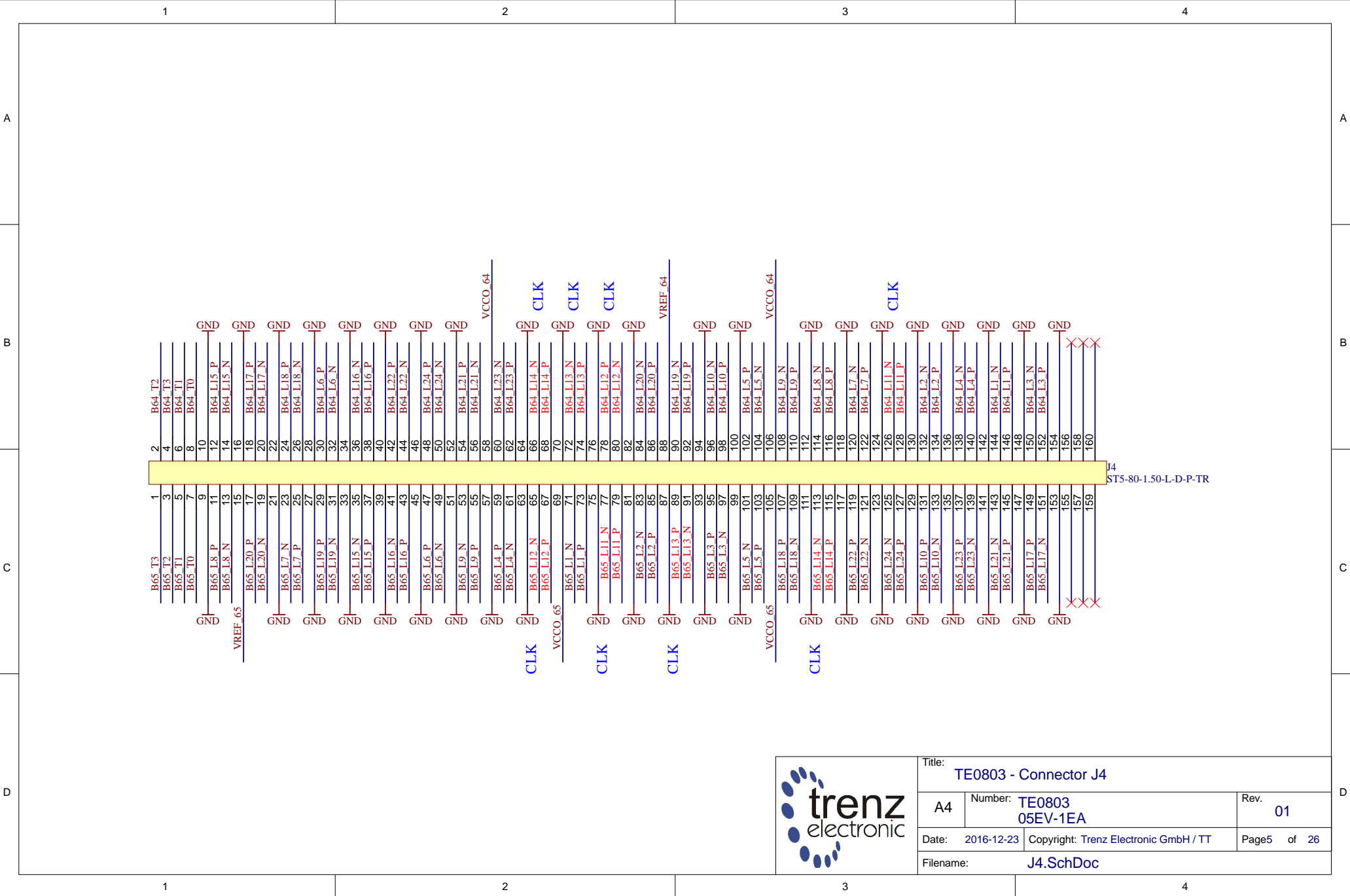
4



Title: TE0803 - Connector J2		
A4	Number: TE0803 05EV-1EA	Rev. 01
Date: 2016-12-23	Copyright: Trenz Electronic GmbH / TT	Page3 of 26
Filename: J2.SchDoc		



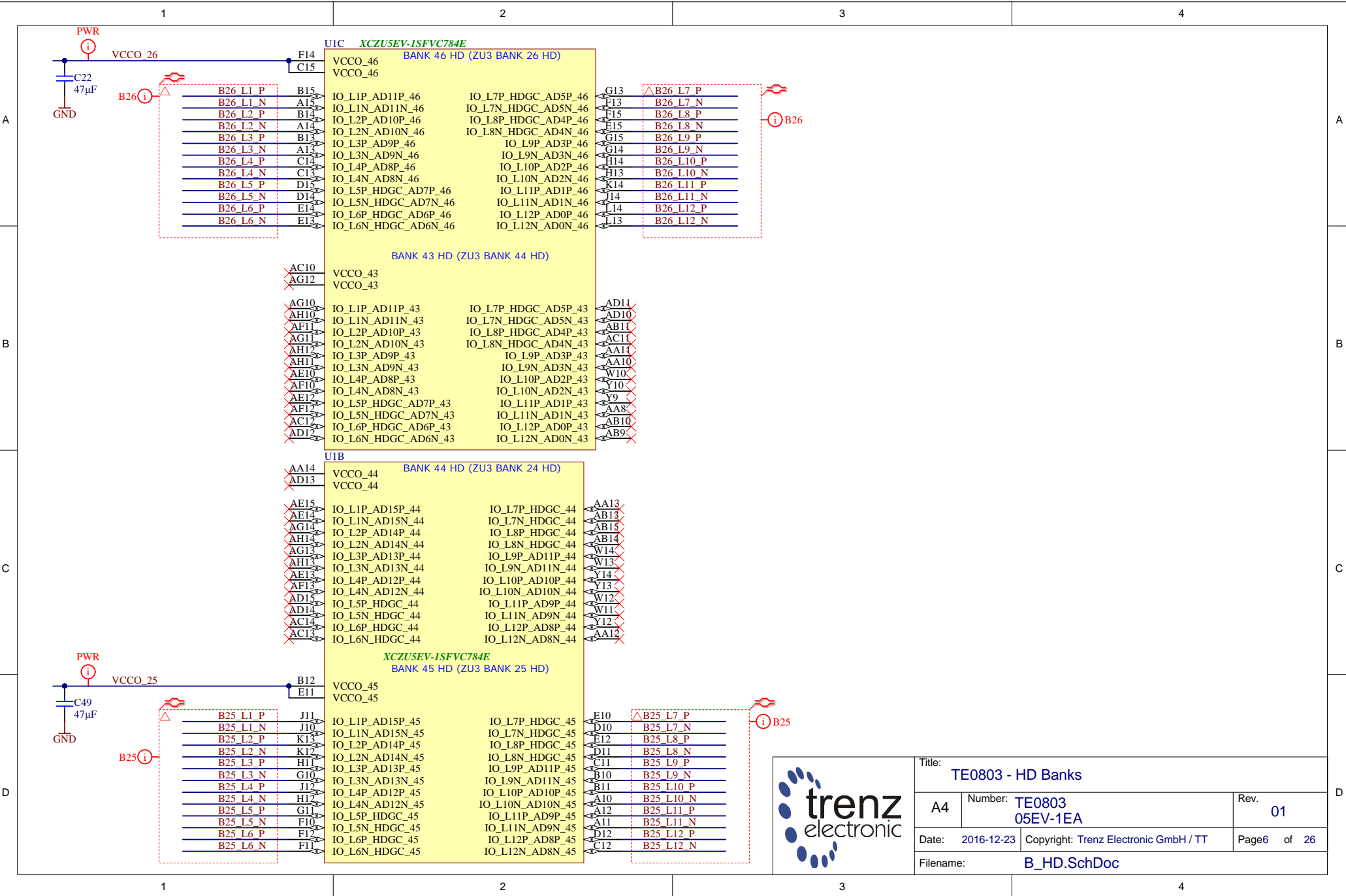
	Title: TE0803 - Connector J3		
	A4	Number: TE0803 05EV-1EA	Rev. 01
	Date: 2016-12-23	Copyright: Trenz Electronic GmbH / TT	Page4 of 26
	Filename: J3.SchDoc		



J4  
ST5-80-1.50-L-D-P-TR



Title: TE0803 - Connector J4		
A4	Number: TE0803 05EV-1EA	Rev. 01
Date: 2016-12-23	Copyright: Trenz Electronic GmbH / TT	Page5 of 26
Filename: J4.SchDoc		



**UIC XCZUSEV-1SFVC784E**  
**BANK 46 HD (ZU3 BANK 26 HD)**

VCCO_46	F14	VCCO_46	B15	IO_L1P_AD11P_46	IO_L7P_HDGC_AD5P_46	G13	B26 L7 P
VCCO_46	C15	VCCO_46	A15	IO_L1N_AD11N_46	IO_L7N_HDGC_AD5N_46	F13	B26 L7 N
			B14	IO_L2P_AD10P_46	IO_L8P_HDGC_AD4P_46	F15	B26 L8 P
			A14	IO_L2N_AD10N_46	IO_L8N_HDGC_AD4N_46	F15	B26 L8 N
			B13	IO_L3P_AD9P_46	IO_L9P_AD3P_46	G15	B26 L9 P
			A13	IO_L3N_AD9N_46	IO_L9N_AD3N_46	G14	B26 L9 N
			C14	IO_L4P_AD8P_46	IO_L10P_AD2P_46	H14	B26 L10 P
			C13	IO_L4N_AD8N_46	IO_L10N_AD2N_46	H13	B26 L10 N
			D15	IO_L5P_HDGC_AD7P_46	IO_L11P_AD1P_46	K14	B26 L11 P
			D14	IO_L5N_HDGC_AD7N_46	IO_L11N_AD1N_46	J14	B26 L11 N
			E14	IO_L6P_HDGC_AD6P_46	IO_L12P_AD0P_46	L14	B26 L12 P
			E13	IO_L6N_HDGC_AD6N_46	IO_L12N_AD0N_46	L13	B26 L12 N

**BANK 43 HD (ZU3 BANK 44 HD)**

VCCO_43	AC10	VCCO_43	AG10	IO_L1P_AD11P_43	IO_L7P_HDGC_AD5P_43	AD11	
VCCO_43	AG12	VCCO_43	AH10	IO_L1N_AD11N_43	IO_L7N_HDGC_AD5N_43	AD10	
			AF11	IO_L2P_AD10P_43	IO_L8P_HDGC_AD4P_43	AB11	
			AG11	IO_L2N_AD10N_43	IO_L8N_HDGC_AD4N_43	AC11	
			AH12	IO_L3P_AD9P_43	IO_L9P_AD3P_43	AA11	
			AH11	IO_L3N_AD9N_43	IO_L9N_AD3N_43	AA10	
			AE10	IO_L4P_AD8P_43	IO_L10P_AD2P_43	W10	
			AF10	IO_L4N_AD8N_43	IO_L10N_AD2N_43	Y10	
			AE12	IO_L5P_HDGC_AD7P_43	IO_L11P_AD1P_43	Y9	
			AF12	IO_L5N_HDGC_AD7N_43	IO_L11N_AD1N_43	AA8	
			AC12	IO_L6P_HDGC_AD6P_43	IO_L12P_AD0P_43	AB10	
			AD12	IO_L6N_HDGC_AD6N_43	IO_L12N_AD0N_43	AB9	

**UIB**  
**BANK 44 HD (ZU3 BANK 24 HD)**

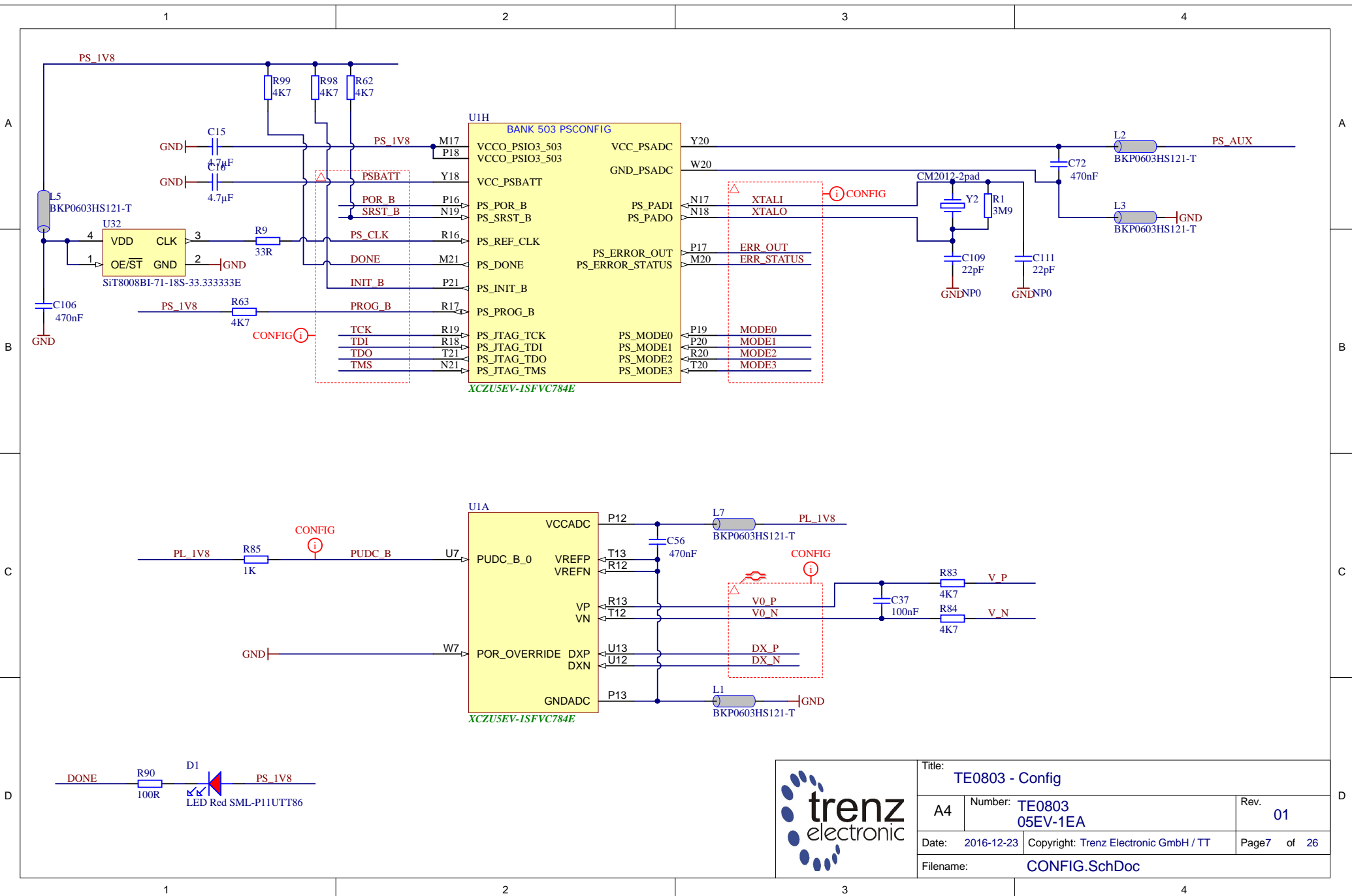
VCCO_44	AA14	VCCO_44	AE15	IO_L1P_AD15P_44	IO_L7P_HDGC_44	AA13	
VCCO_44	AD13	VCCO_44	AE14	IO_L1N_AD15N_44	IO_L7N_HDGC_44	AB13	
			AG14	IO_L2P_AD14P_44	IO_L8P_HDGC_44	AB15	
			AH14	IO_L2N_AD14N_44	IO_L8N_HDGC_44	AB14	
			AG13	IO_L3P_AD13P_44	IO_L9P_AD1P_44	W14	
			AH13	IO_L3N_AD13N_44	IO_L9N_AD1N_44	W13	
			AE13	IO_L4P_AD12P_44	IO_L10P_AD10P_44	Y14	
			AF13	IO_L4N_AD12N_44	IO_L10N_AD10N_44	Y13	
			AD15	IO_L5P_HDGC_44	IO_L11P_AD9P_44	W12	
			AD14	IO_L5N_HDGC_44	IO_L11N_AD9N_44	W11	
			AC14	IO_L6P_HDGC_44	IO_L12P_AD8P_44	Y12	
			AC13	IO_L6N_HDGC_44	IO_L12N_AD8N_44	AA12	

**XCZUSEV-1SFVC784E**  
**BANK 45 HD (ZU3 BANK 25 HD)**

VCCO_45	B12	VCCO_45	J11	IO_L1P_AD15P_45	IO_L7P_HDGC_45	E10	B25 L7 P
VCCO_45	E11	VCCO_45	J10	IO_L1N_AD15N_45	IO_L7N_HDGC_45	D10	B25 L7 N
			K13	IO_L2P_AD14P_45	IO_L8P_HDGC_45	E12	B25 L8 P
			K12	IO_L2N_AD14N_45	IO_L8N_HDGC_45	D11	B25 L8 N
			H11	IO_L3P_AD13P_45	IO_L9P_AD1P_45	C11	B25 L9 P
			G10	IO_L3N_AD13N_45	IO_L9N_AD1N_45	B10	B25 L9 N
			J12	IO_L4P_AD12P_45	IO_L10P_AD10P_45	B11	B25 L10 P
			H12	IO_L4N_AD12N_45	IO_L10N_AD10N_45	A10	B25 L10 N
			G11	IO_L5P_HDGC_45	IO_L11P_AD9P_45	A12	B25 L11 P
			F10	IO_L5N_HDGC_45	IO_L11N_AD9N_45	A11	B25 L11 N
			F12	IO_L6P_HDGC_45	IO_L12P_AD8P_45	D12	B25 L12 P
			F11	IO_L6N_HDGC_45	IO_L12N_AD8N_45	C12	B25 L12 N



Title: TE0803 - HD Banks		
A4	Number: TE0803 05EV-1EA	Rev. 01
Date: 2016-12-23	Copyright: Trenz Electronic GmbH / TT	Page6 of 26
Filename: B_HD.SchDoc		



Title: TE0803 - Config		
A4	Number: TE0803 05EV-1EA	Rev. 01
Date: 2016-12-23	Copyright: Trenz Electronic GmbH / TT	Page 7 of 26
Filename: CONFIG.SchDoc		

1

2

3

4

A

A

B

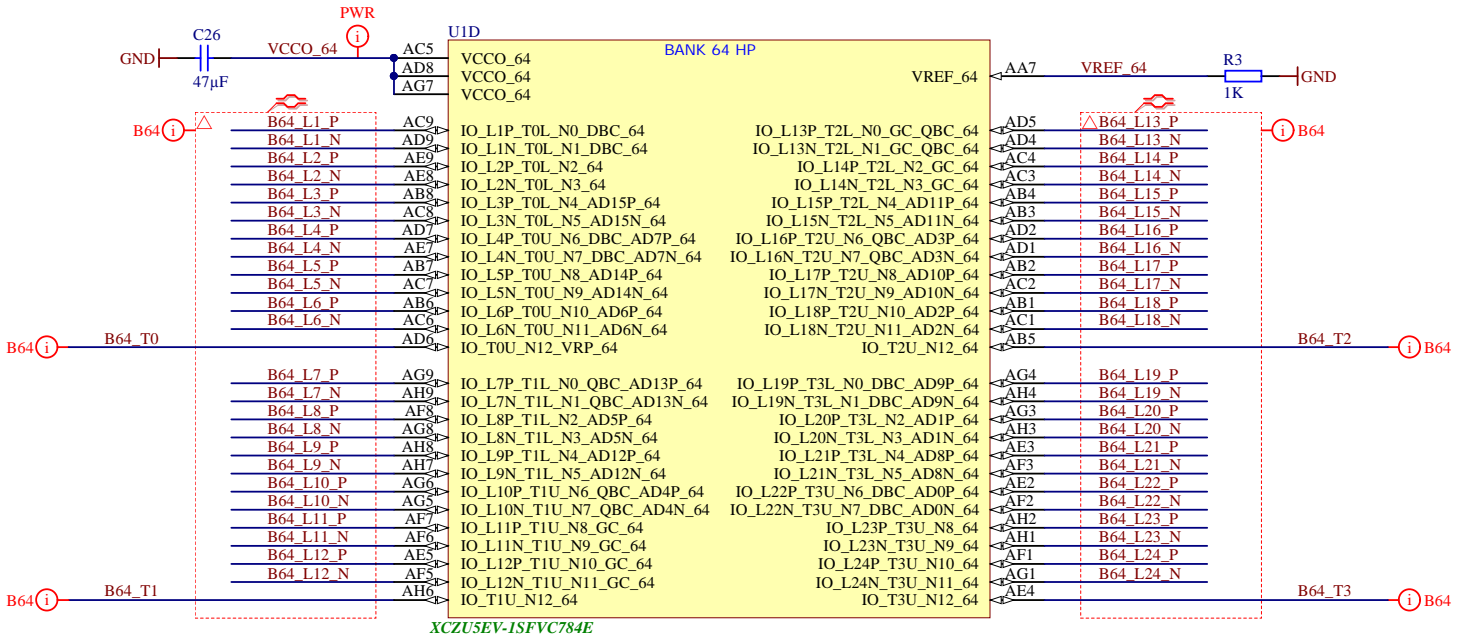
B

C

C

D

D



	Title: TE0803 - B64		
	A4	Number: TE0803 05EV-1EA	Rev. 01
	Date: 2016-12-23	Copyright: Trenz Electronic GmbH / TT	Page8 of 26
	Filename: B64.SchDoc		

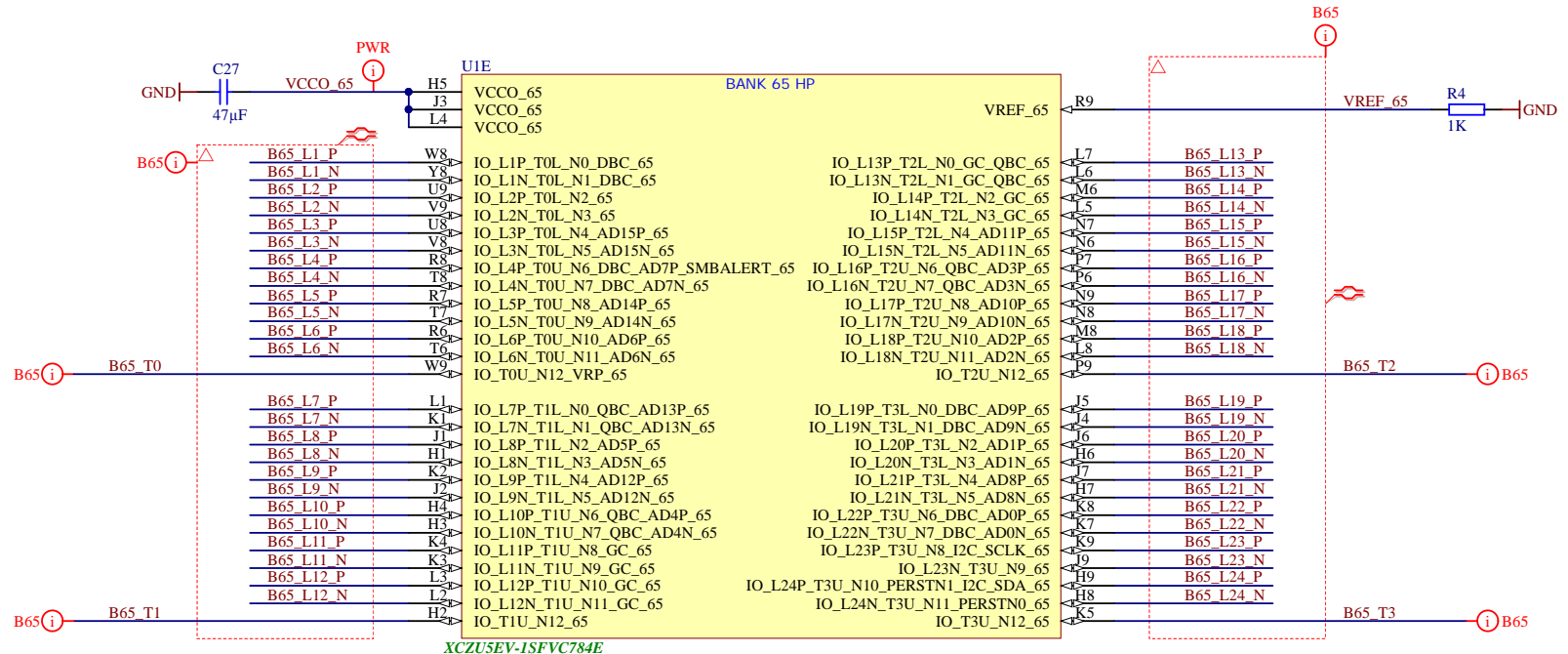
1

2

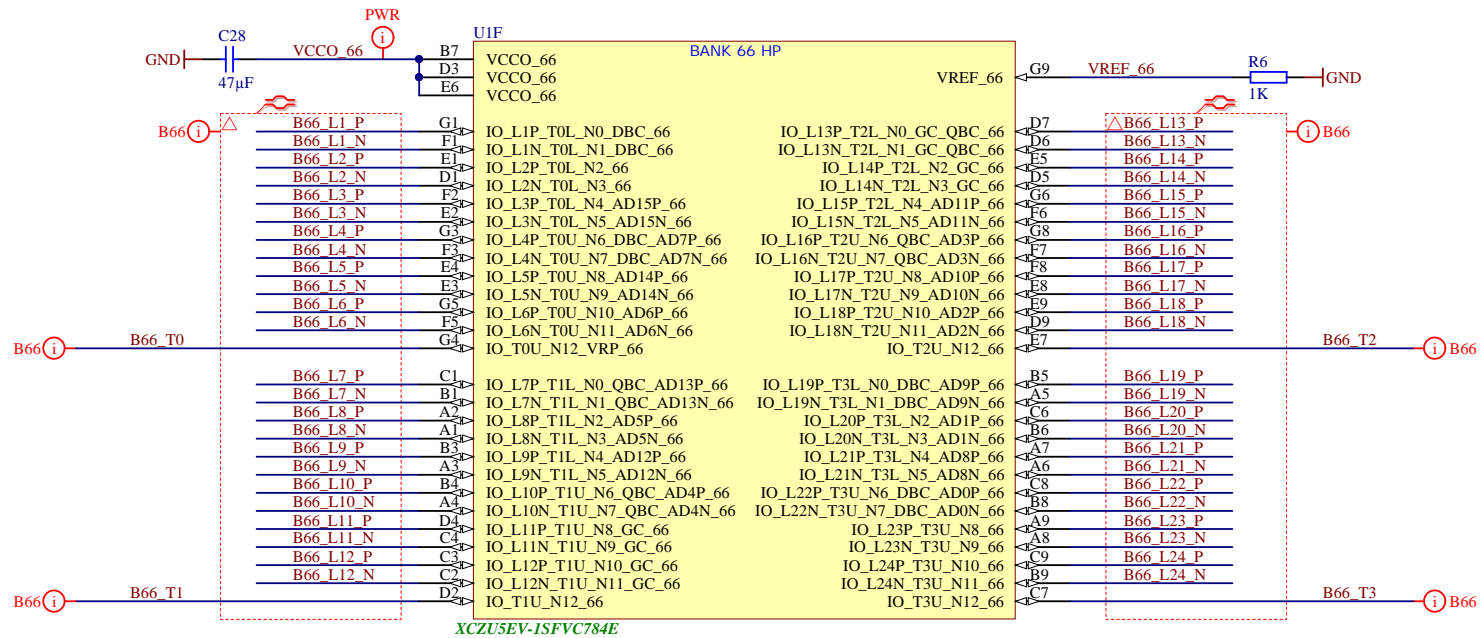
3

4

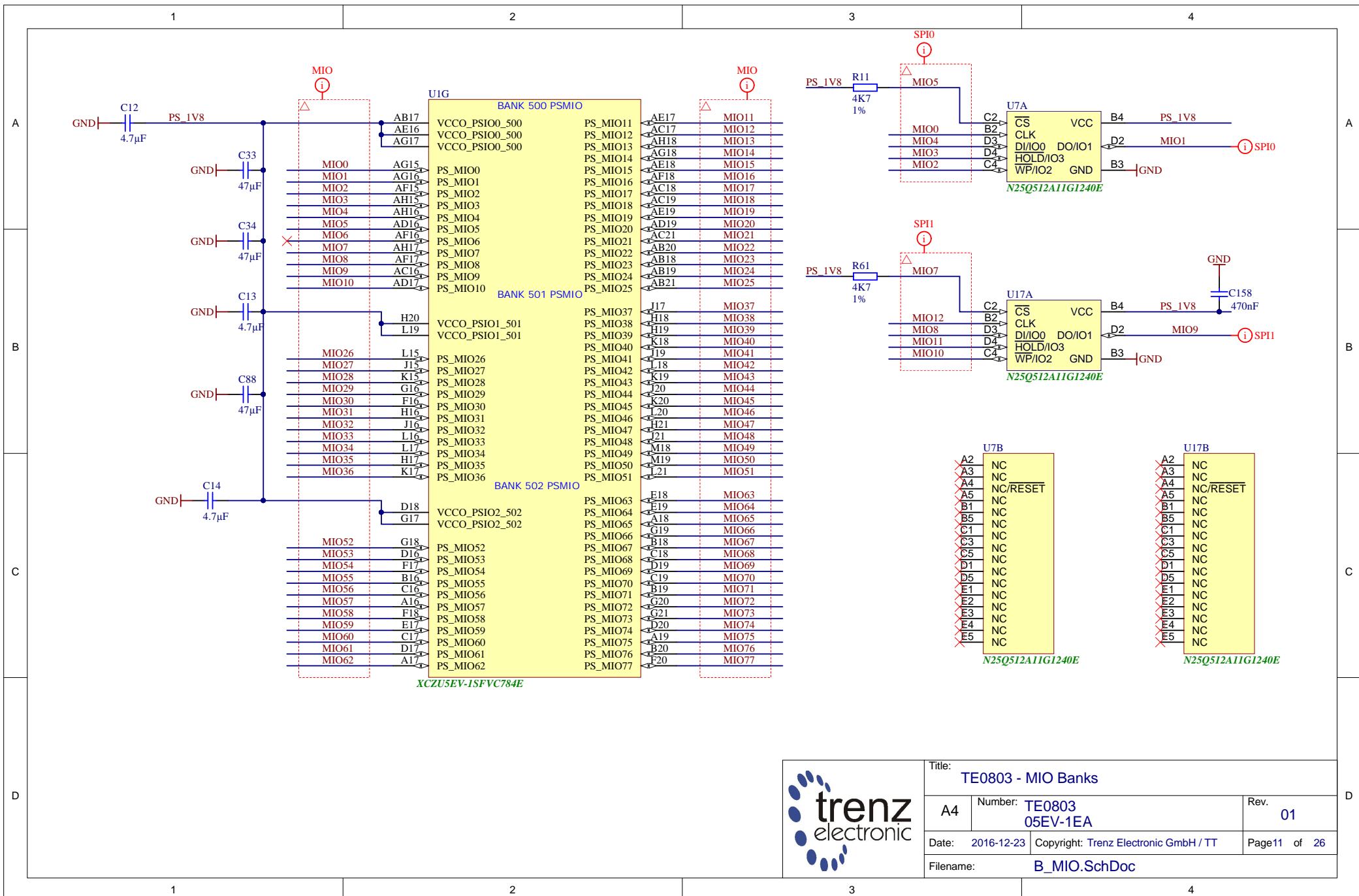




	Title: TE0803 - B65		
	A4	Number: TE0803 05EV-1EA	Rev. 01
	Date: 2016-12-23	Copyright: Trenz Electronic GmbH / TT	Page9 of 26
	Filename: B65.SchDoc		

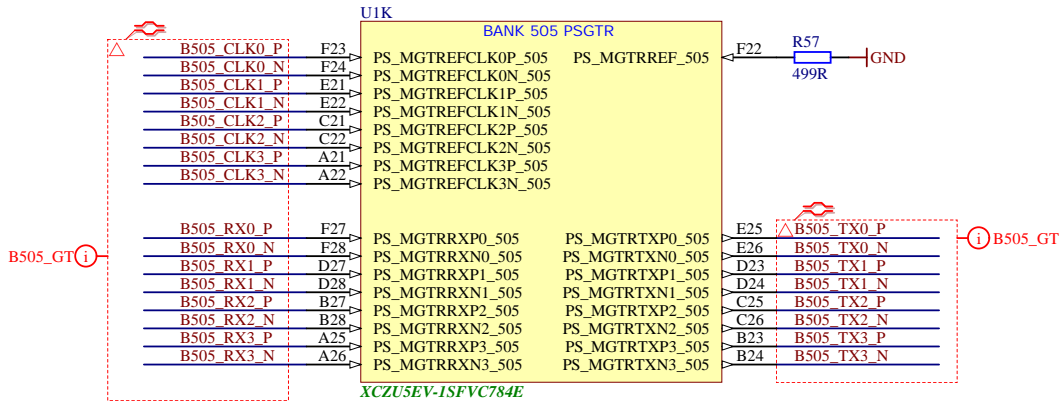



	Title: <b>TE0803 - B66</b>		
	A4	Number: <b>TE0803 05EV-1EA</b>	Rev. <b>01</b>
	Date: 2016-12-23	Copyright: Trenz Electronic GmbH / TT	Page10 of 26
	Filename: <b>B66.SchDoc</b>		

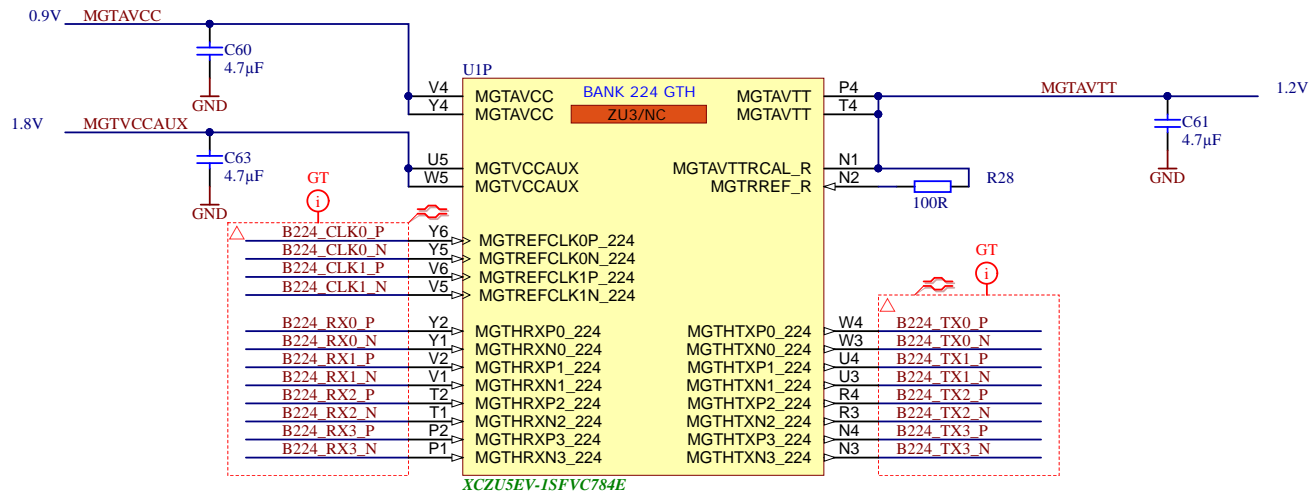


Title: TE0803 - MIO Banks		
A4	Number: TE0803 05EV-1EA	Rev. 01
Date: 2016-12-23	Copyright: Trenz Electronic GmbH / TT	Page 11 of 26
Filename: B_MIO.SchDoc		





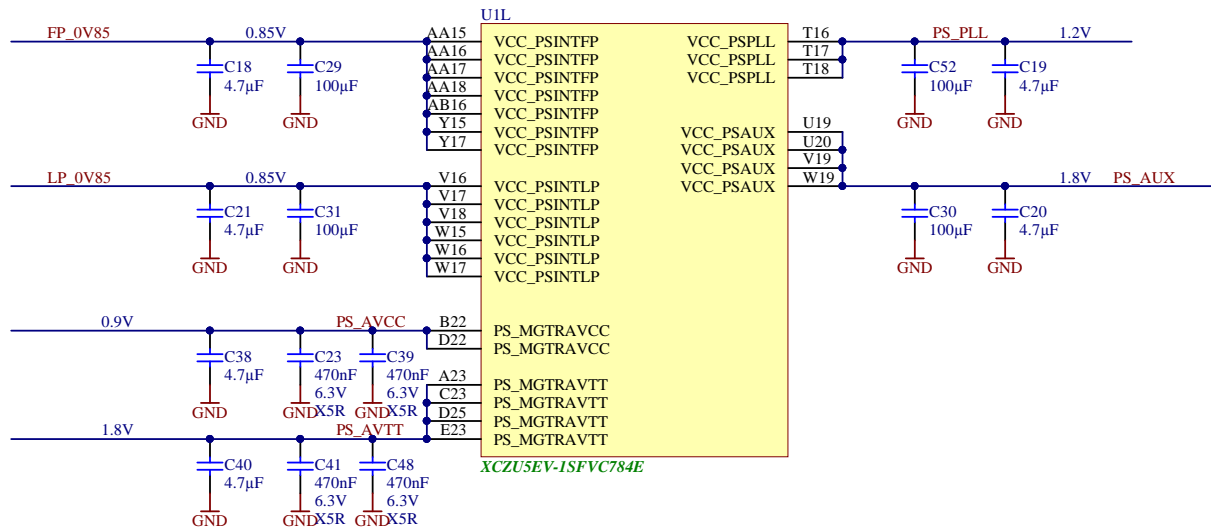
	Title: TE0803 - PS_GT		
	A4	Number: TE0803 05EV-1EA	Rev. 01
	Date: 2016-12-23	Copyright: Trenz Electronic GmbH / TT	Page13 of 26
	Filename: B_PS_GT.SchDoc		



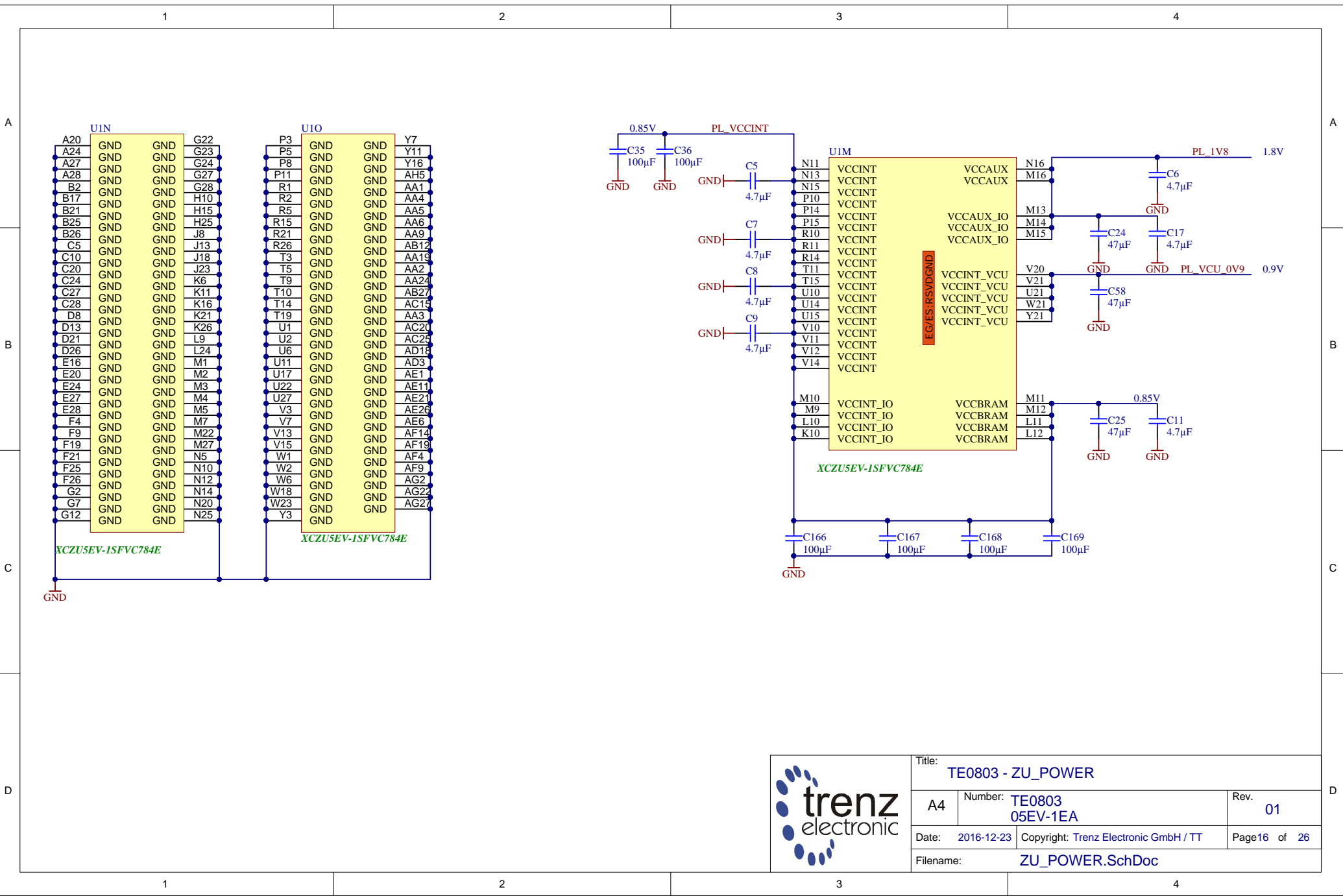
XZU5EV-1SFVC784E




Title: TE0803 - B224GTH		
A4	Number: TE0803 05EV-1EA	Rev. 01
Date: 2016-12-23	Copyright: Trenz Electronic GmbH / TT	Page 14 of 26
Filename: B_GT.SchDoc		



Title: TE0803 - ZU_PS_POWER		
A4	Number: TE0803 05EV-1EA	Rev. 01
Date: 2016-12-23	Copyright: Trenz Electronic GmbH / TT	Page 15 of 26
Filename: ZU_PS_POWER.SchDoc		



			Title: TE0803 - ZU_POWER	
			A4	Number: TE0803 05EV-1EA
Date: 2016-12-23		Copyright: Trenz Electronic GmbH / TT		Page16 of 26
Filename: ZU_POWER.SchDoc				



1

2

3

4

A

A

B

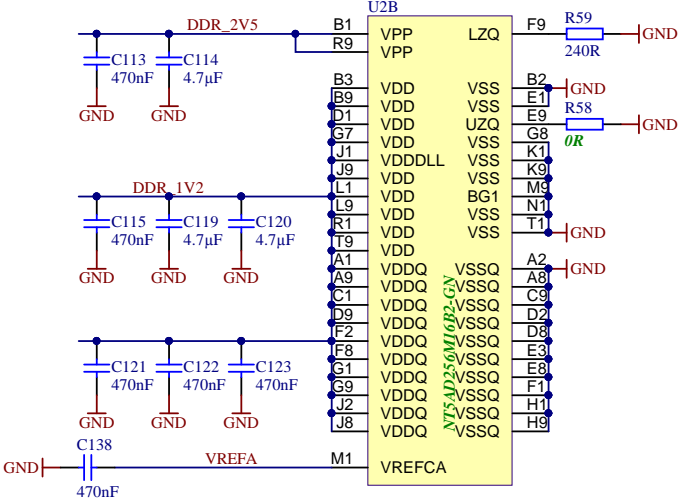
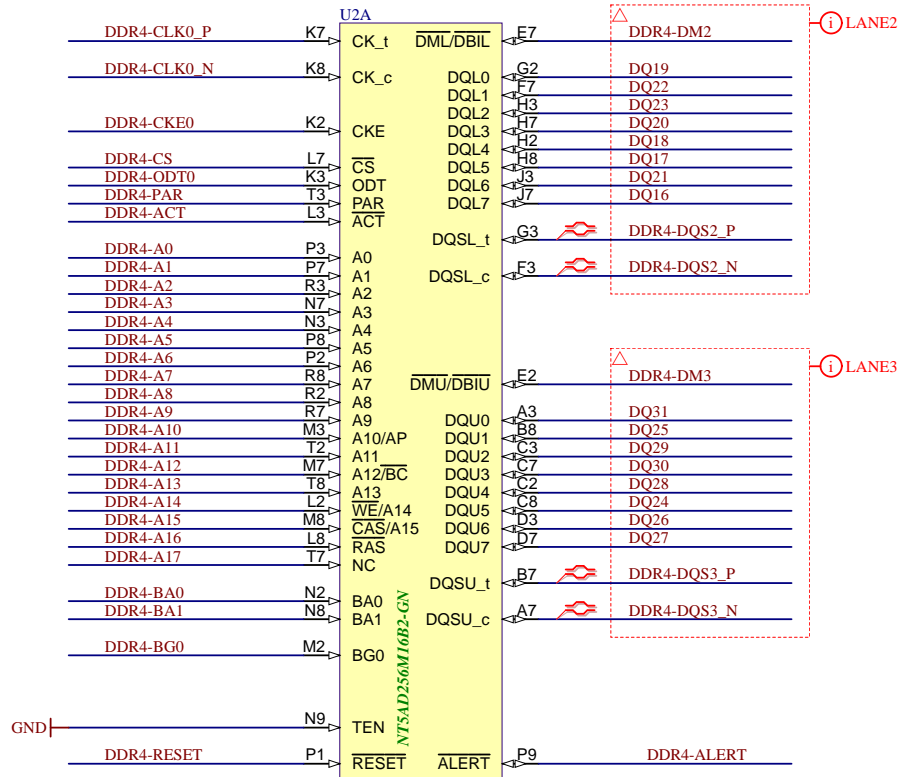
B

C

C

D

D



Title: TE0803 - DDR4_1_RAM		
A4	Number: TE0803 05EV-1EA	Rev. 01
Date: 2016-12-23	Copyright: Trenz Electronic GmbH / TT	Page17 of 26
Filename: DDR4-RAM.SchDoc		

1

2

3

4

1

2

3

4

A

A

B

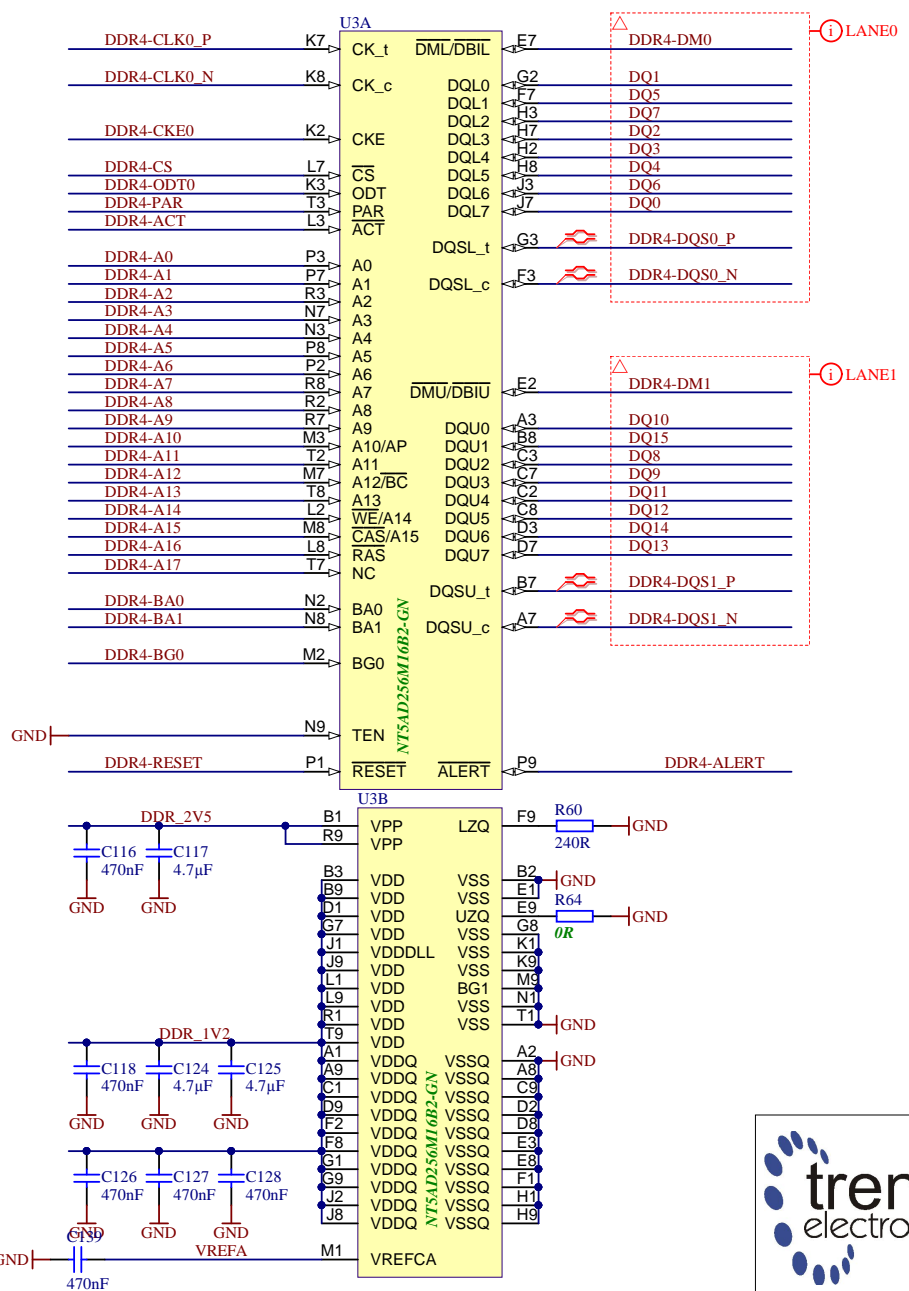

B

C

C

D

D

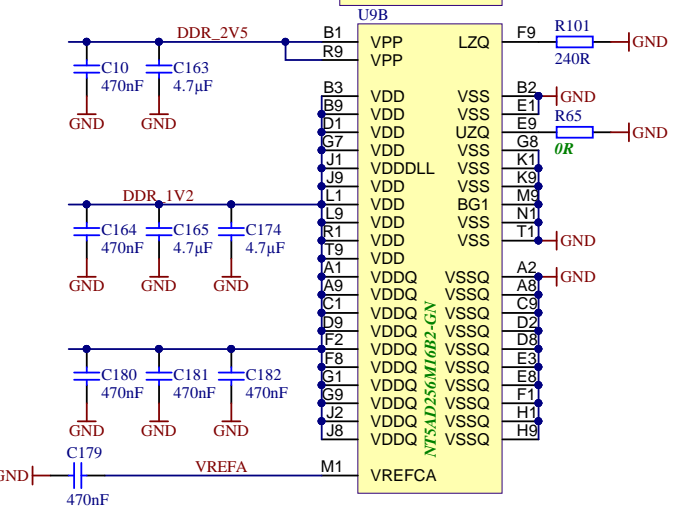
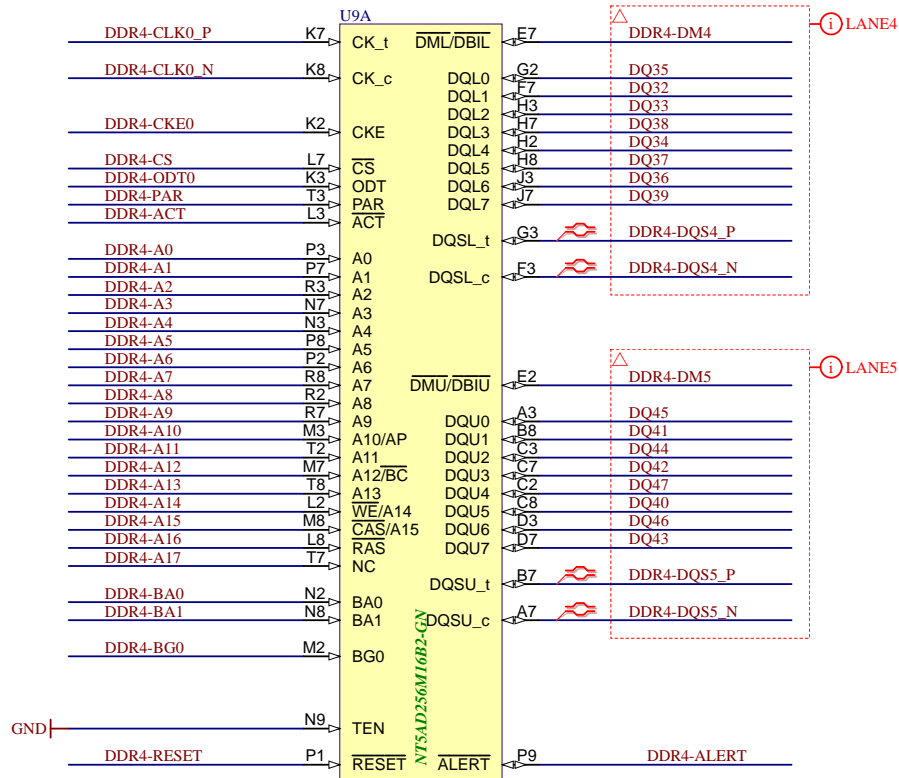
Title: TE0803 - DDR4_2_RAM		
A4	Number: TE0803 05EV-1EA	Rev. 01
Date: 2016-12-23	Copyright: Trenz Electronic GmbH / TT	Page 18 of 26
Filename: DDR4-RAM_2.SchDoc		

1

2

3

4



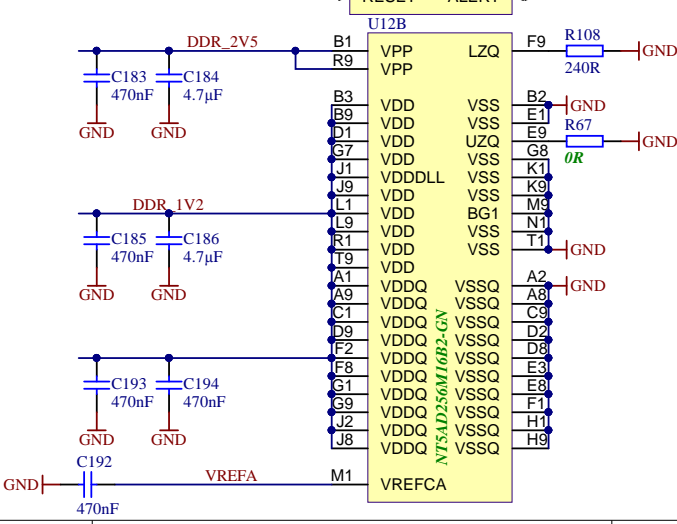
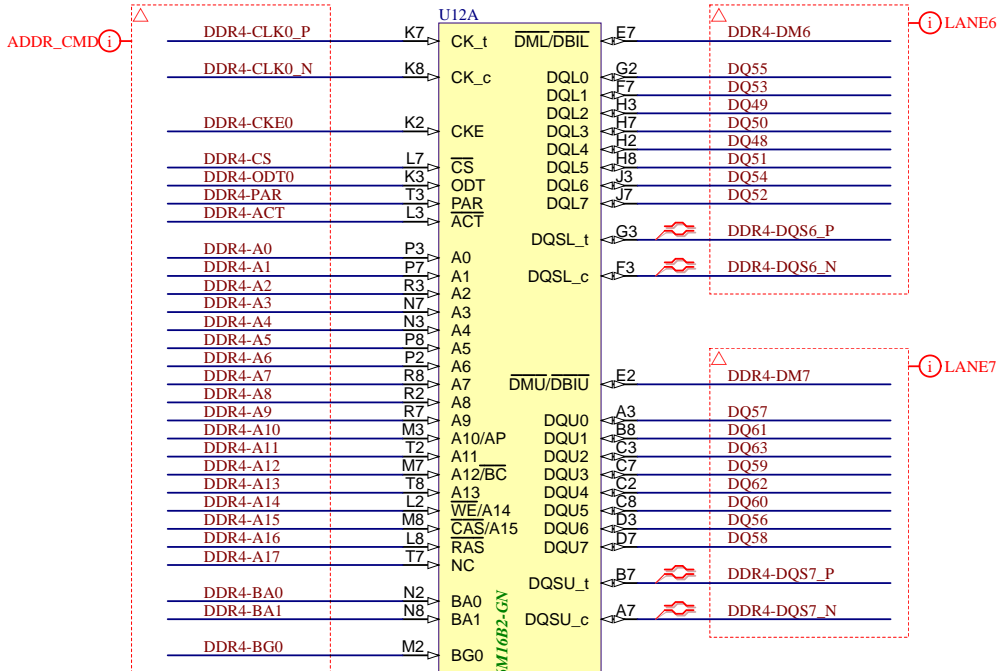
Title: TE0803 - DDR4_3_RAM		
A4	Number: TE0803 05EV-1EA	Rev. 01
Date: 2016-12-23	Copyright: Trenz Electronic GmbH / TT	Page 19 of 26
Filename: DDR4-RAM_3.SchDoc		

1

2

3

4



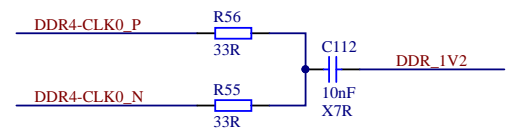
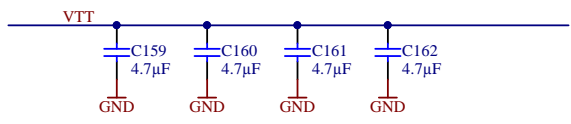
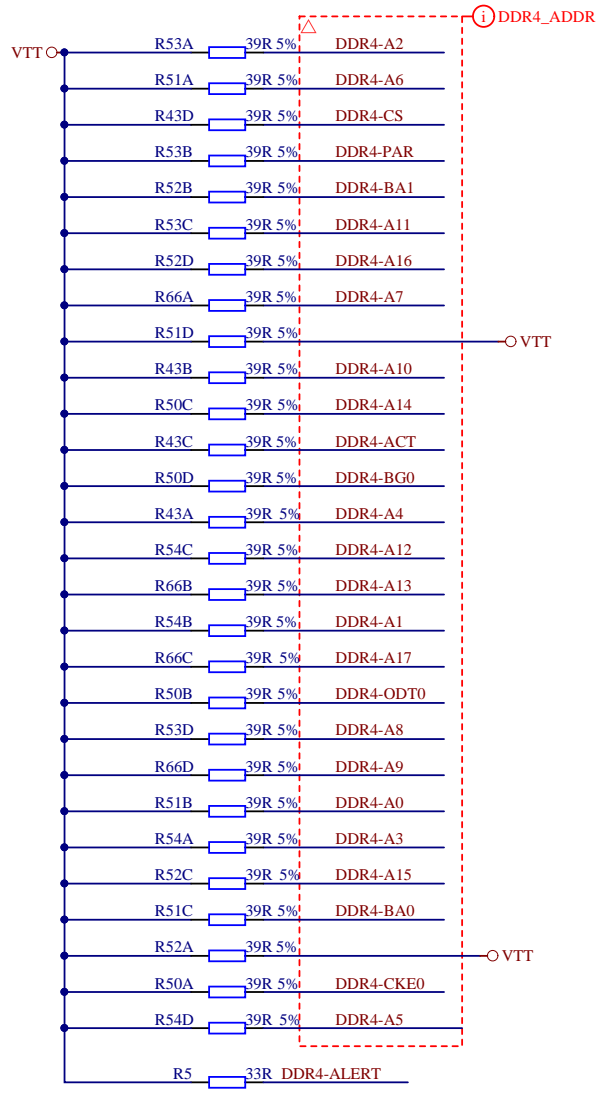
Title: TE0803 - DDR4_4_RAM		
A4	Number: TE0803 05EV-1EA	Rev. 01
Date: 2016-12-23	Copyright: Trenz Electronic GmbH / TT	Page20 of 26
Filename: DDR4-RAM_4.SchDoc		

1

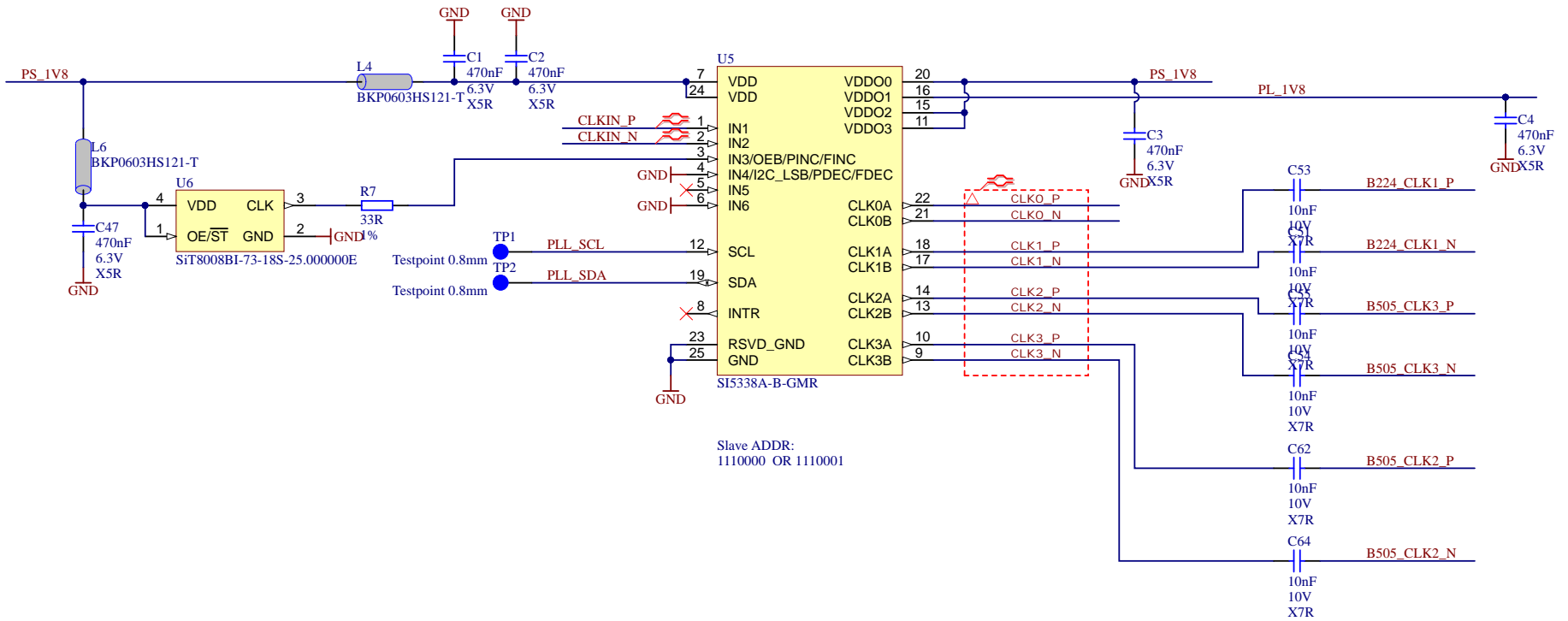
2

3

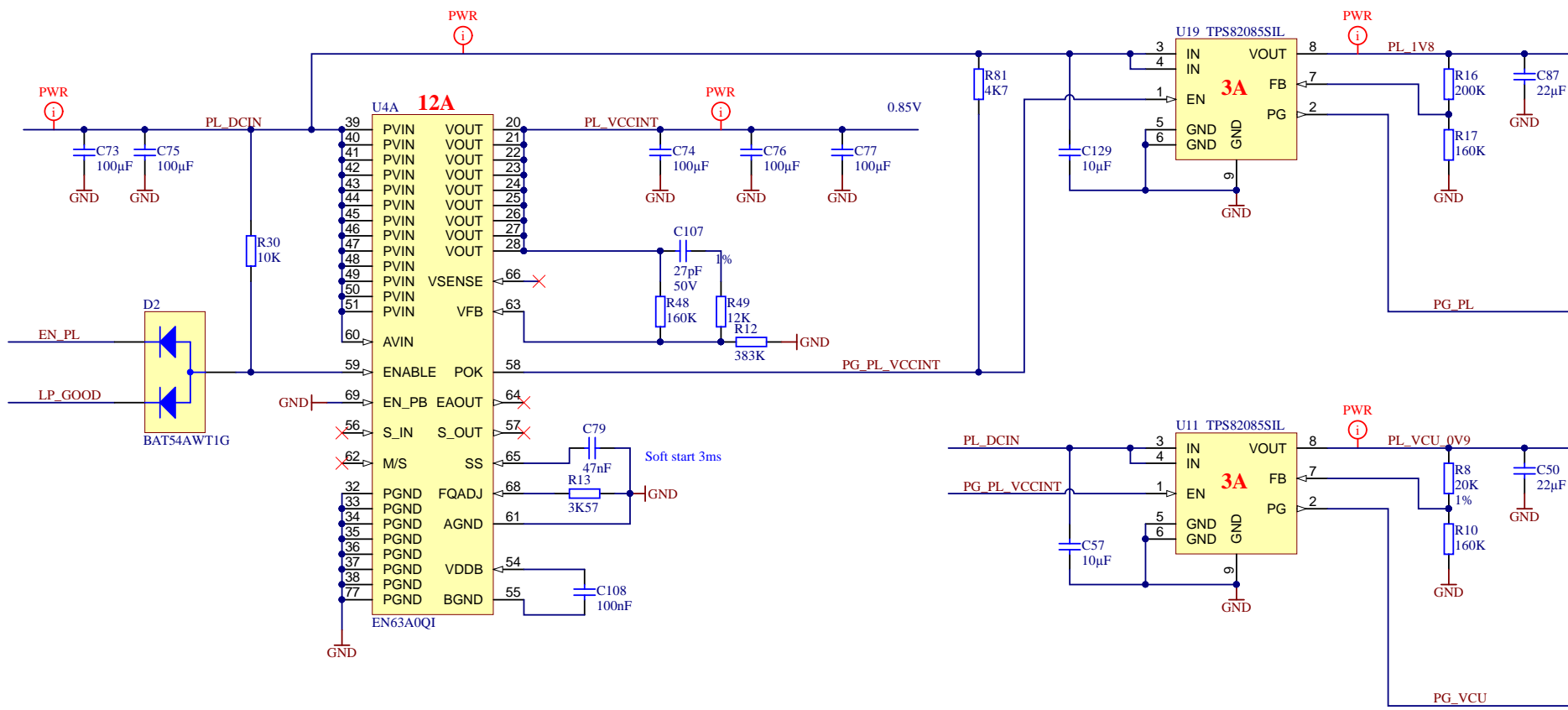
4



Title: TE0803 - DDR4_TERM		
A4	Number: TE0803 05EV-1EA	Rev. 01
Date: 2016-12-23	Copyright: Trenz Electronic GmbH / TT	Page21 of 26
Filename: DDR4-TERM.SchDoc		



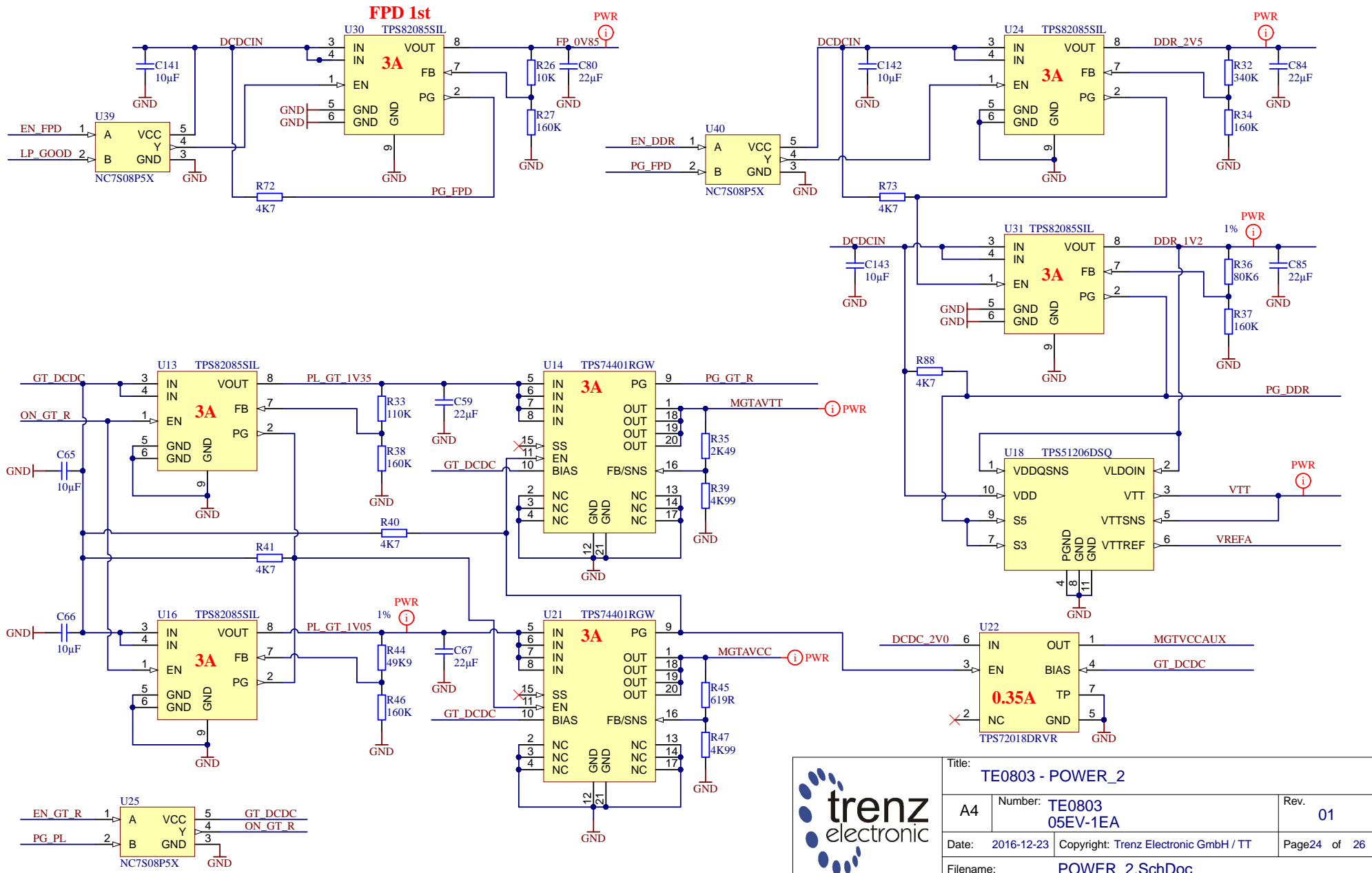

Title: TE0803 - CLOCK		
A4	Number: TE0803 05EV-1EA	Rev. 01
Date: 2016-12-23	Copyright: Trenz Electronic GmbH / TT	Page22 of 26
Filename: Clock.SchDoc		



U4B  
EN63A0QI

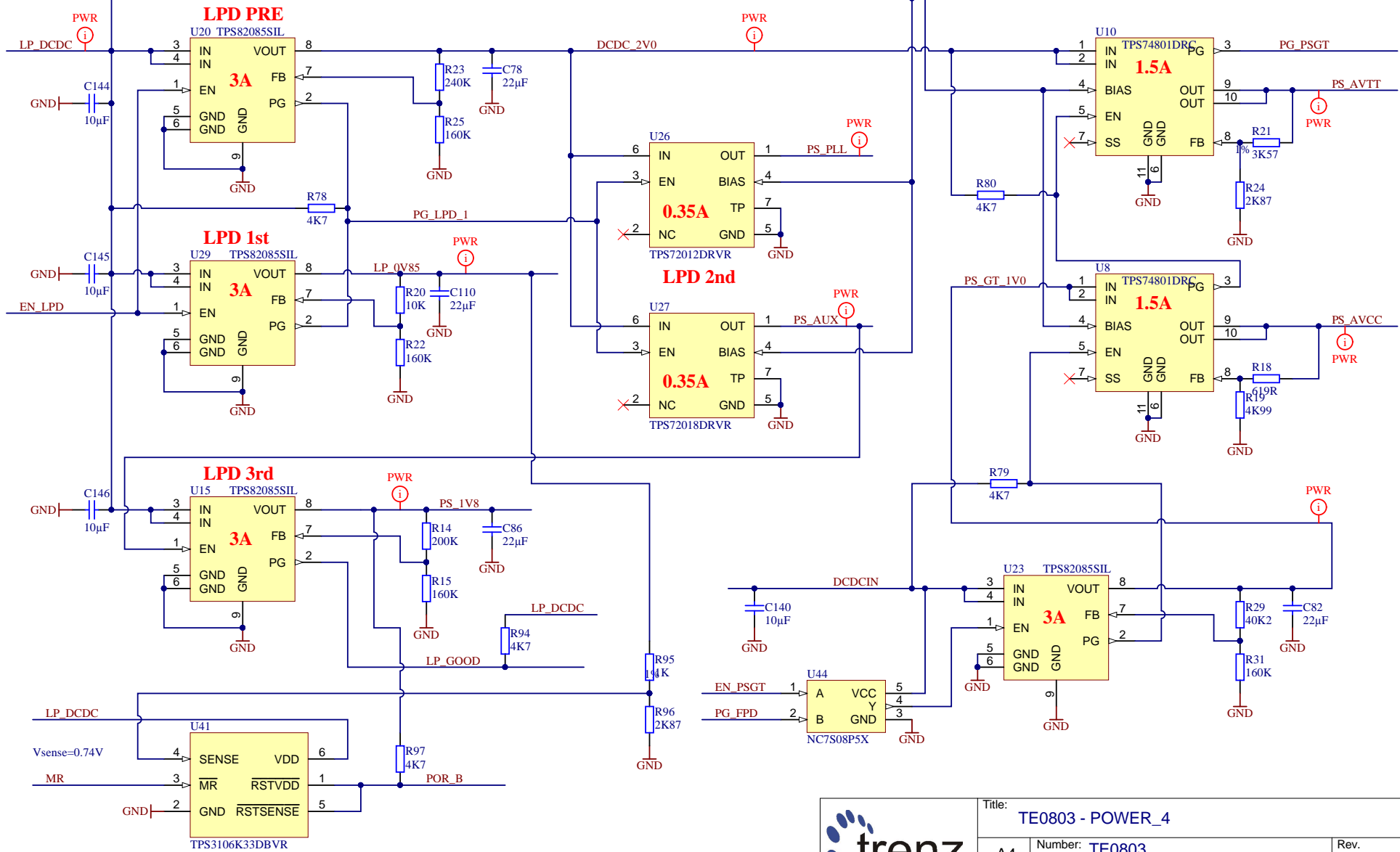
1	NC	NC	17
2	NC	NC	18
3	NC	NC	19
4	NC	NC	29
5	NC	NC	30
6	NC	NC(SW)	31
7	NC	NC(SW)	52
8	NC	NC	53
9	NC	NC	67
10	NC	NC(SW)	70
11	NC	NC(SW)	71
12	NC	NC(SW)	72
13	NC	NC	73
14	NC	NC	74
15	NC	NC	75
16	NC	NC	76


	Title: TE0803 - POWER		
	A4	Number: TE0803 05EV-1EA	Rev. 01
	Date: 2016-12-23	Copyright: Trenz Electronic GmbH / TT	Page23 of 26
	Filename: POWER.SchDoc		

Title: TE0803 - POWER_2		
A4	Number: TE0803 05EV-1EA	Rev. 01
Date: 2016-12-23	Copyright: Trenz Electronic GmbH / TT	Page24 of 26
Filename: POWER_2.SchDoc		





			Title: TE0803 - POWER_4	
			A4	Number: TE0803 05EV-1EA
Date: 2016-12-23		Copyright: Trenz Electronic GmbH / TT		Page25 of 26
Filename: POWER_4.SchDoc				

1

2

3

4

CHANGES REV01a (20.11.2017):

1) VCU voltage set to 0.9V, R20 changed to 40K , PL\_VCU\_1V0 renamed to PL\_VCU\_0V9.

A

A

B

B

C

C

D

D



Title: TE0803 - Changes list		
A4	Number: TE0803 05EV-1EA	Rev. 01
Date: 2017-01-27	Copyright: Trenz Electronic GmbH	Page26 of 26
Filename: Revision_Changes.SchDoc		

1

2

3

4