

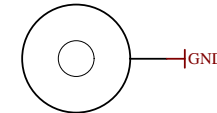
1

2

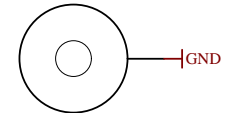
3

4

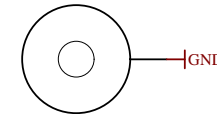
U_J1 J1.SchDoc	U_B_PS_GT B_PS_GT.SchDoc	U_DDR4-TERM DDR4-TERM.SchDoc
U_J2 J2.SchDoc	U_PS_DDR PS_DDR.SchDoc	U_ZU_POWER ZU_POWER.SchDoc
U_J3 J3.SchDoc	U_B_MIO B_MIO.SchDoc	U_ZU_PS_POWER ZU_PS_POWER.SchDoc
U_J4 J4.SchDoc	U_B_HD B_HD.SchDoc	U_POWER POWER.SchDoc
U_DDR4-TERM DDR4-TERM.SchDoc	U_Clock Clock.SchDoc	U_POWER_2 POWER_2.SchDoc
U_B64 B64.SchDoc	U_CONFIG CONFIG.SchDoc	
U_B65 B65.SchDoc	U_DDR4-RAM DDR4-RAM.SchDoc	U_POWER_4 POWER_4.SchDoc
U_B66 B66.SchDoc	U_DDR4-RAM_2 DDR4-RAM_2.SchDoc	
U_B_GT B_GT.SchDoc	U_DDR4-RAM_3 DDR4-RAM_3.SchDoc	
	U_DDR4-RAM_4 DDR4-RAM_4.SchDoc	



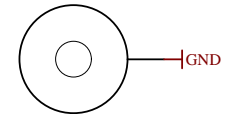
Mount.Hole 3.2mm für Unterlegscheibe



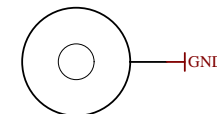
Mount.Hole 3.2mm für Unterlegscheibe



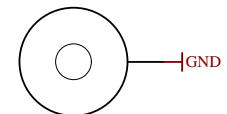
Mount.Hole 3.2mm für Unterlegscheibe



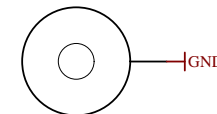
Mount.Hole 3.2mm für Unterlegscheibe



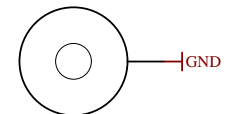
Mount.Hole 3.2mm für Unterlegscheibe



Mount.Hole 3.2mm für Unterlegscheibe



Mount.Hole 3.2mm für Unterlegscheibe



Mount.Hole 3.2mm für Unterlegscheibe

FIDU-DOT - small



PM1 FIDU-DOT - small



PM3 FIDU-DOT - small



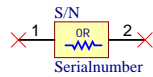
PM5

LOGO1

TE Logo PRINT Layer

LOGO PRINT

Serial  
Serial  
Serialnumber 6,3 x 6.3mm



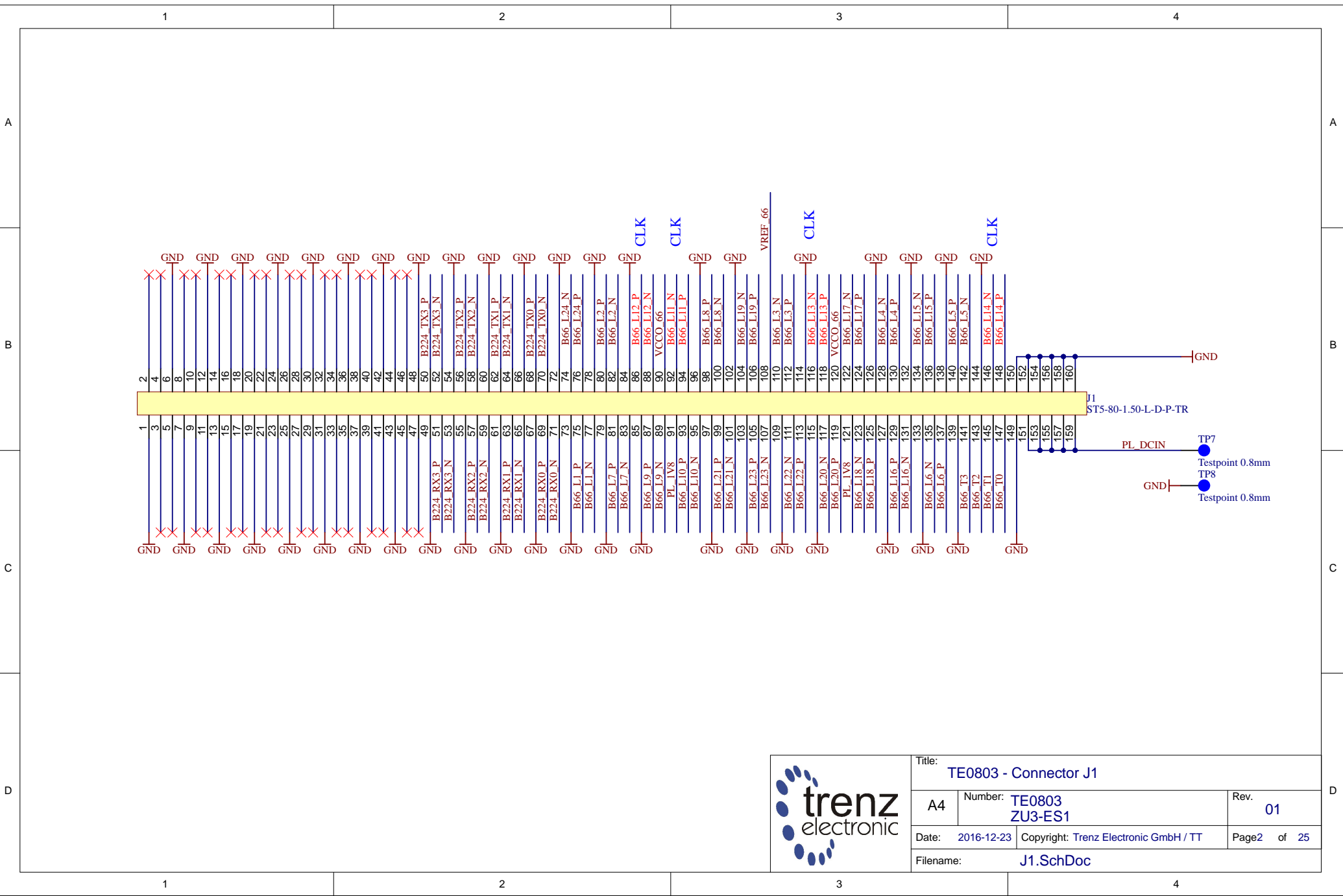
Title: TE0803		
A4	Number: TE0803 ZU3-ES1	Rev. 01
Date: 2016-12-23	Copyright: Trenz Electronic GmbH / TT	Page1 of 25
Filename: TE0803.SchDoc		

1

2

3

4



Title: TE0803 - Connector J1		
A4	Number: TE0803 ZU3-ES1	Rev. 01
Date: 2016-12-23	Copyright: Trenz Electronic GmbH / TT	Page2 of 25
Filename: J1.SchDoc		

1

2

3

4

A

A

B

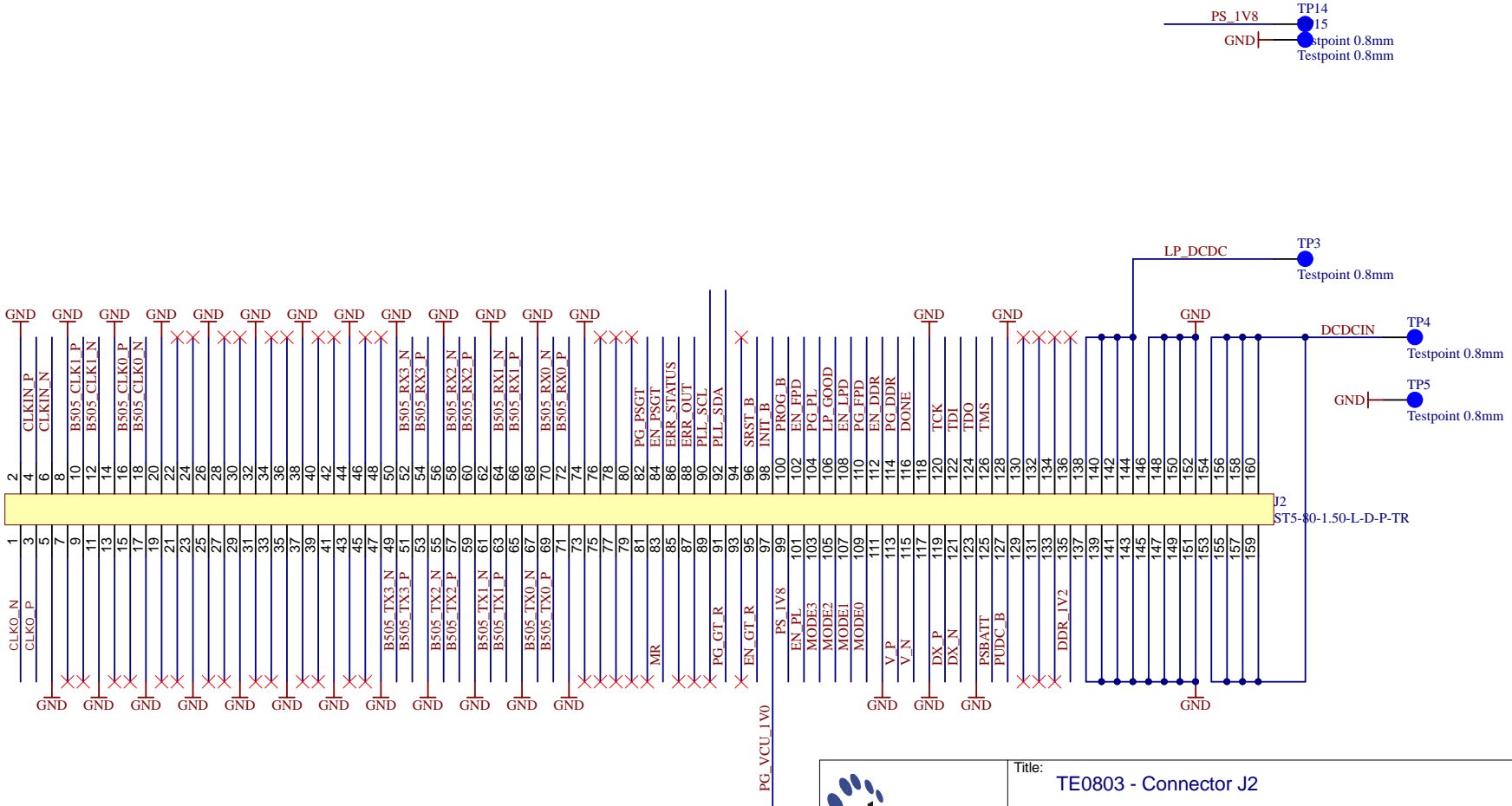
B

C

C

D

D



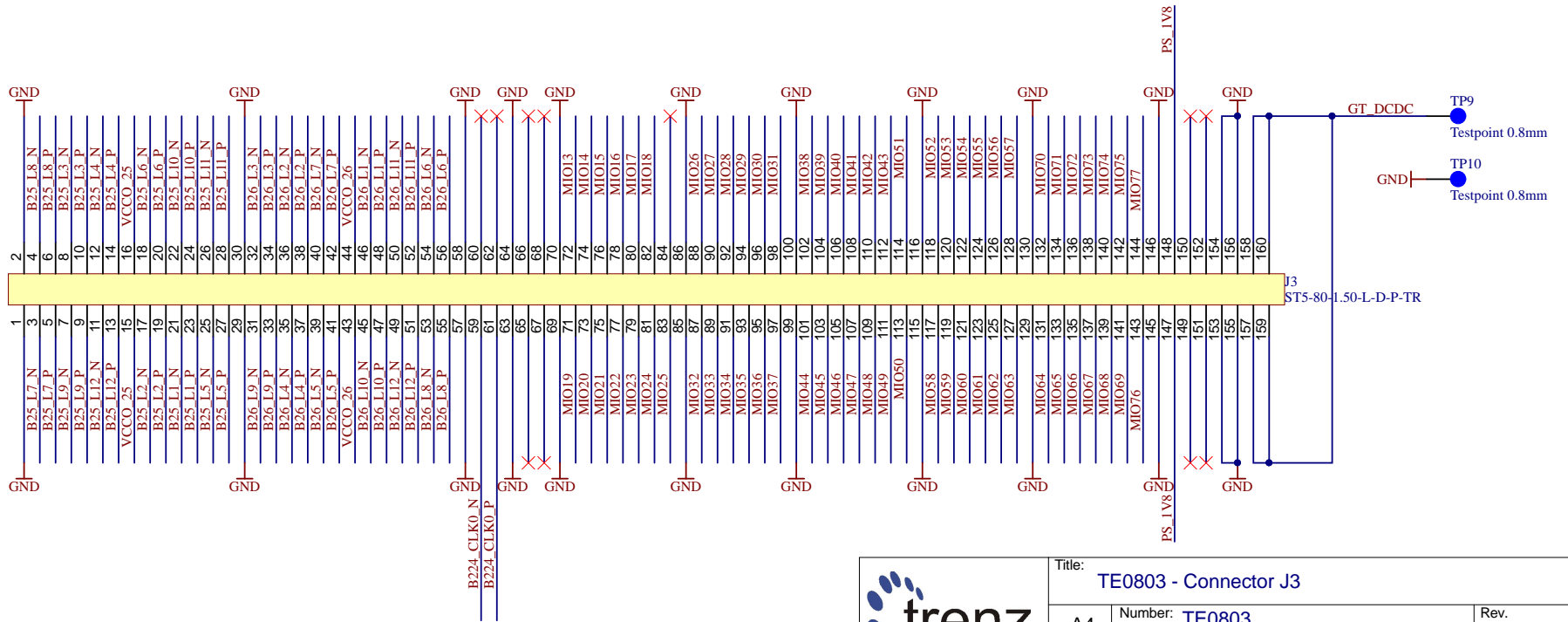
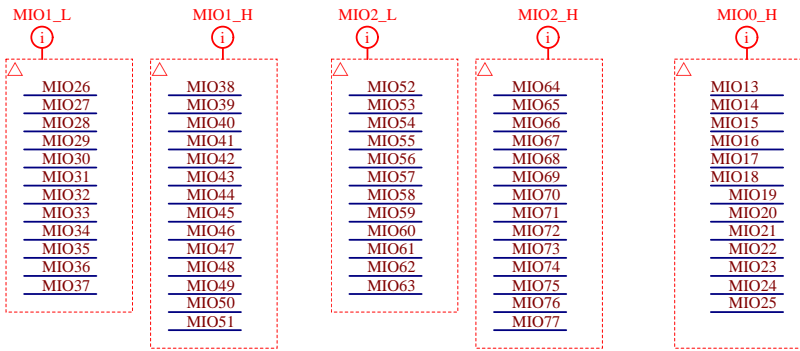
Title: TE0803 - Connector J2		
A4	Number: TE0803 ZU3-ES1	Rev. 01
Date: 2016-12-23	Copyright: Trenz Electronic GmbH / TT	Page3 of 25
Filename: J2.SchDoc		

1

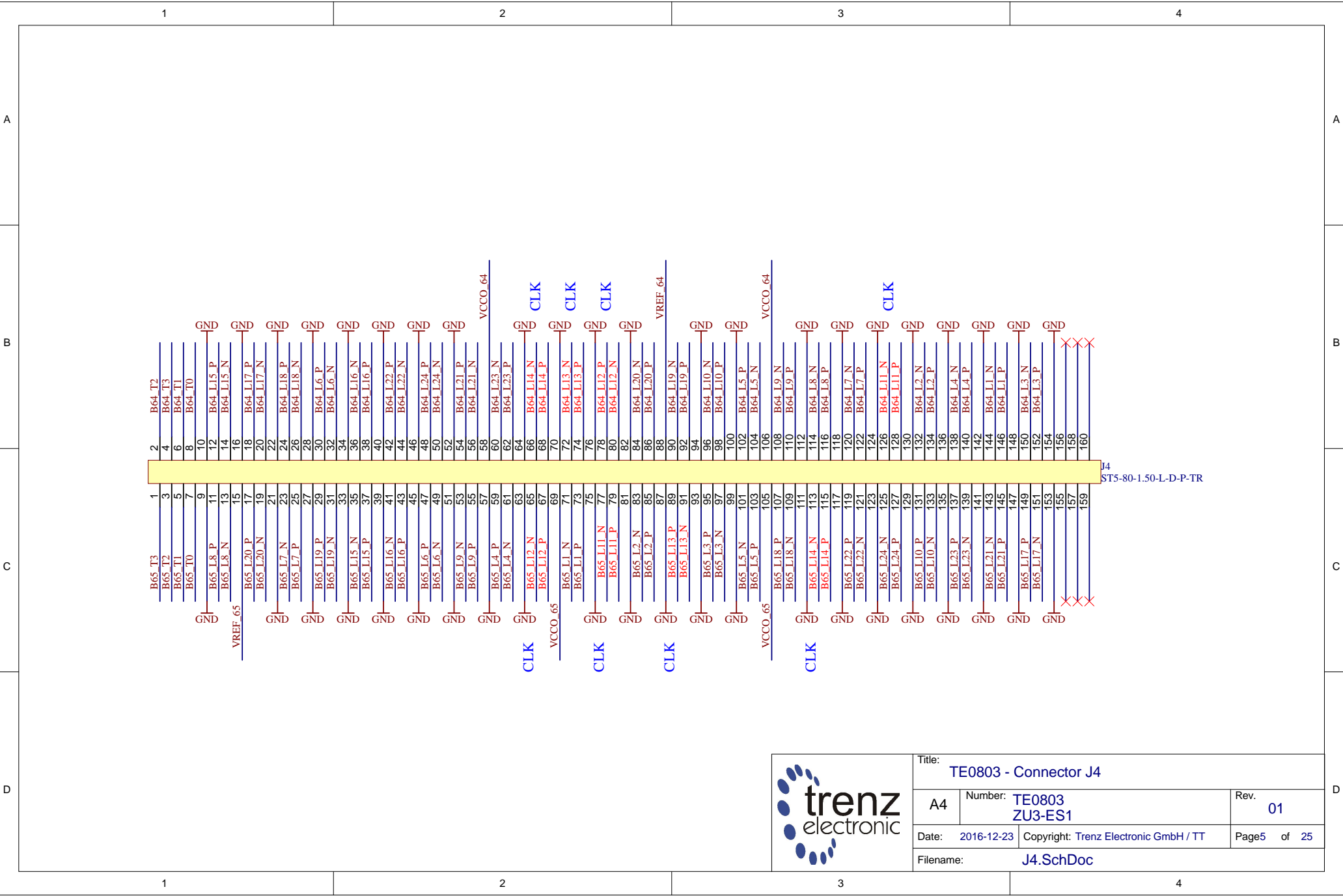
2

3

4



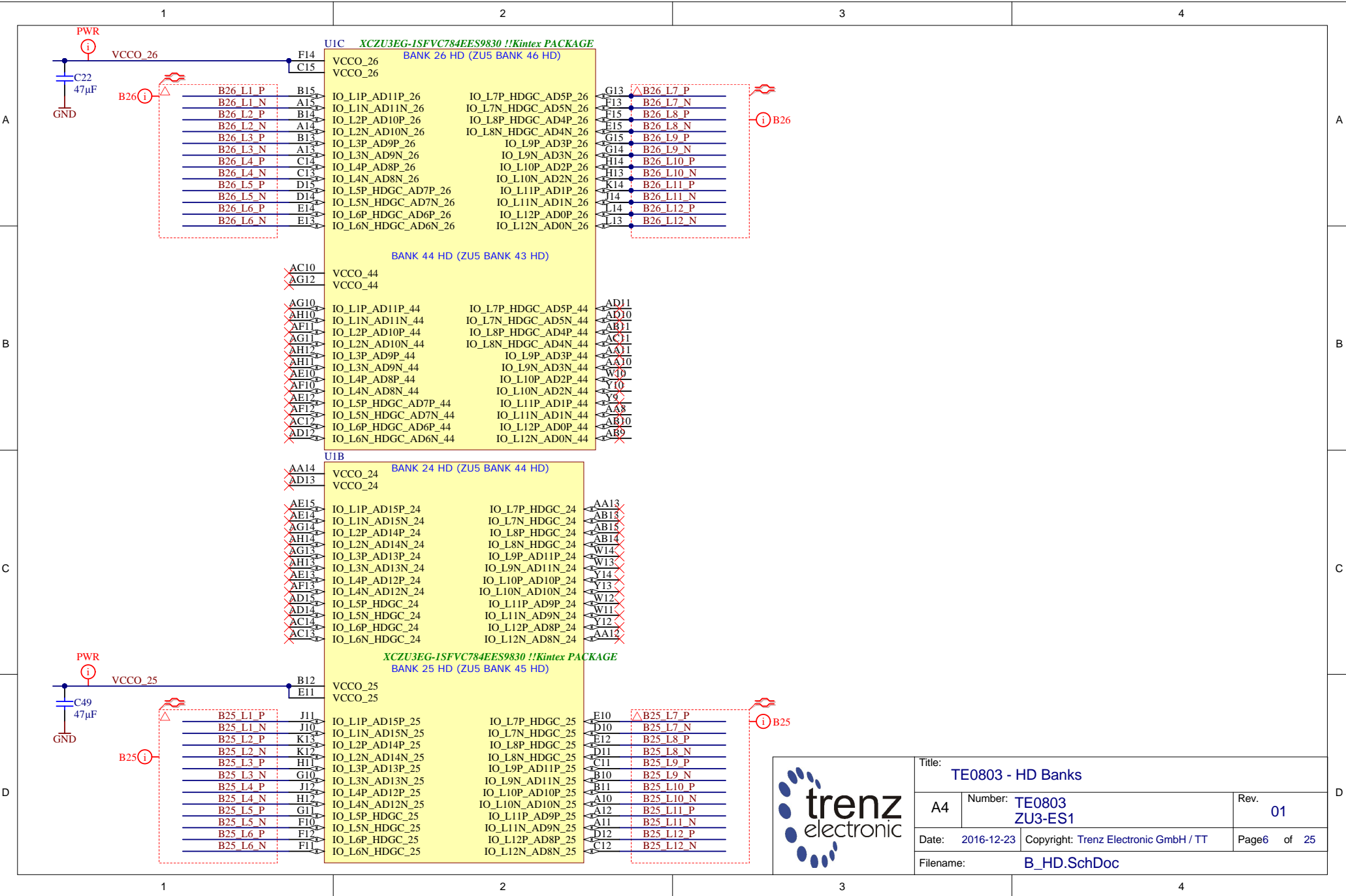
Title: TE0803 - Connector J3			
A4	Number: TE0803 ZU3-ES1	Rev. 01	
Date: 2016-12-23	Copyright: Trenz Electronic GmbH / TT	Page4 of 25	
Filename: J3.SchDoc			



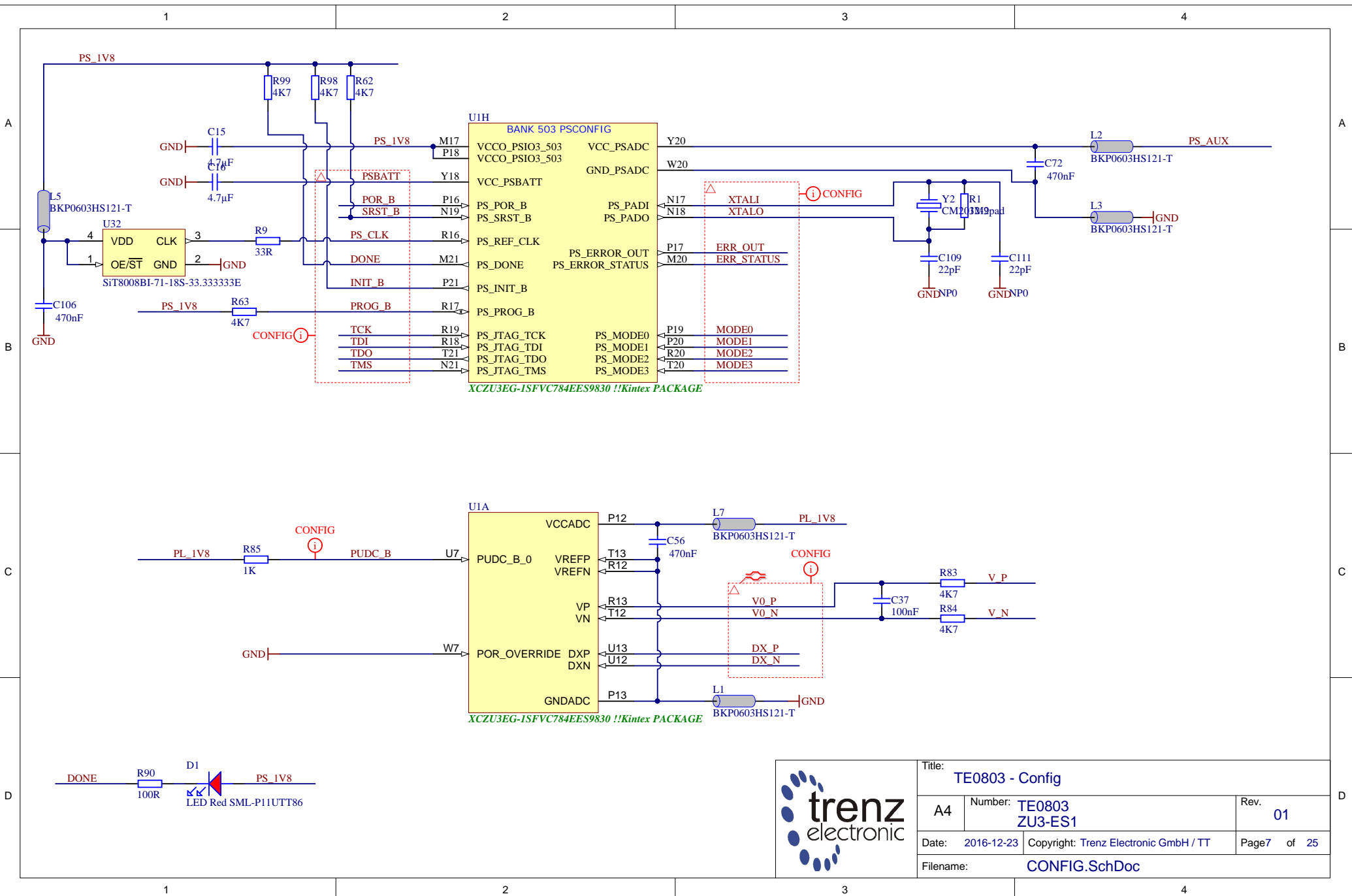
J4  
ST5-80-1.50-L-D-P-TR



Title: TE0803 - Connector J4		
A4	Number: TE0803 ZU3-ES1	Rev. 01
Date: 2016-12-23	Copyright: Trenz Electronic GmbH / TT	Page5 of 25
Filename: J4.SchDoc		



Title: TE0803 - HD Banks		
A4	Number: TE0803 ZU3-ES1	Rev. 01
Date: 2016-12-23	Copyright: Trenz Electronic GmbH / TT	Page6 of 25
Filename: B_HD.SchDoc		



**U1H**  
BANK 503 PSCONFIG

VCCO_PSIO3_503	VCC_PSADC	Y20	PS_AUX
VCCO_PSIO3_503	GND_PSADC	W20	
VCC_PSBATT			
POR_B	PS_PADI	N17	XTALI
SRST_B	PS_PADO	N18	XTALO
PS_CLK			
DONE	PS_ERROR_OUT	P17	ERR_OUT
INIT_B	PS_ERROR_STATUS	M20	ERR_STATUS
PROG_B			
TCK	PS_MODE0	P19	MODE0
TDI	PS_MODE1	P20	MODE1
TDO	PS_MODE2	R20	MODE2
TMS	PS_MODE3	T20	MODE3

*XCZU3EG-1SFVC784EES9830 !!Kintex PACKAGE*

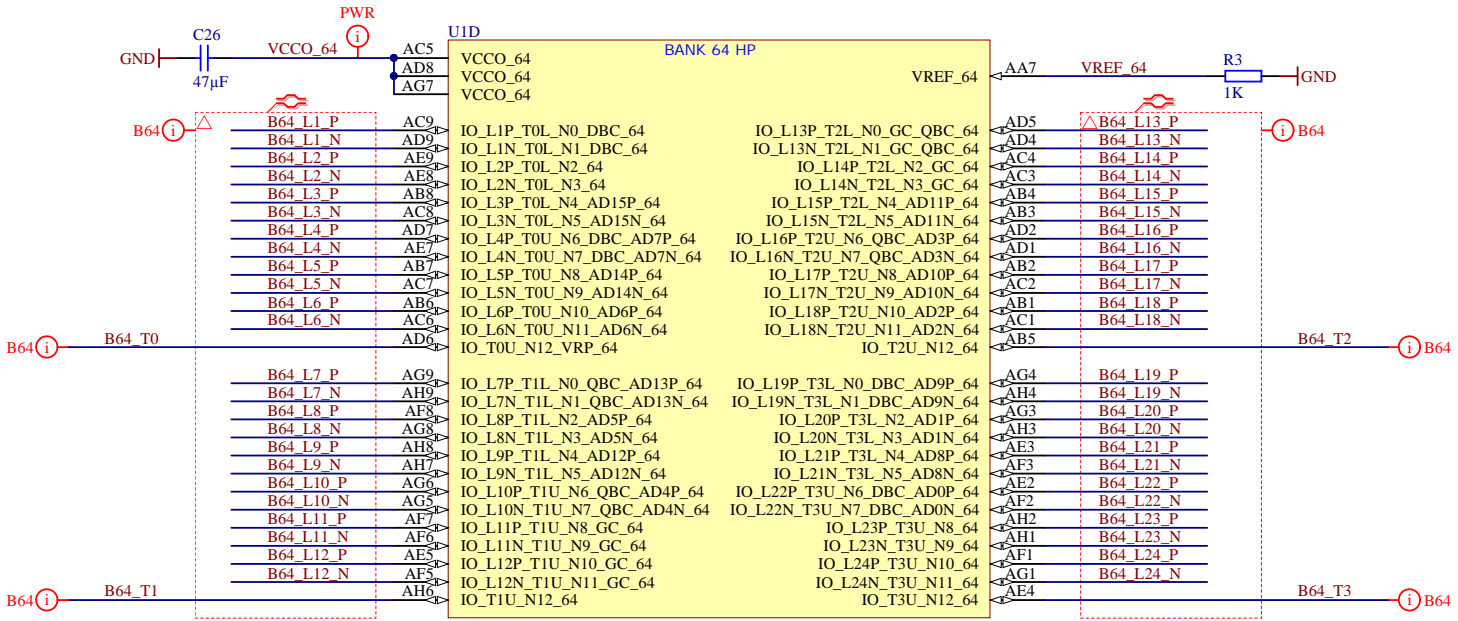
**U1A**

VCCADC	P12	PL_IV8
PUDC_B_0	T13	
VREFF	R12	
VREFN		
VP	R13	V_P
VN	T12	V_N
POR_OVERRIDE	U13	DX_P
DXP	U12	DX_N
DXN		
GNDADC	P13	GND

*XCZU3EG-1SFVC784EES9830 !!Kintex PACKAGE*

Title: TE0803 - Config		
A4	Number: TE0803 ZU3-ES1	Rev. 01
Date: 2016-12-23	Copyright: Trenz Electronic GmbH / TT	Page7 of 25
Filename: CONFIG.SchDoc		





	Title: TE0803 - B64	
	A4	Number: TE0803 ZU3-ES1
	Date: 2016-12-23	Copyright: Trenz Electronic GmbH / TT
	Rev. 01	Page8 of 25
Filename: B64.SchDoc		



1

2

3

4

A

A

B

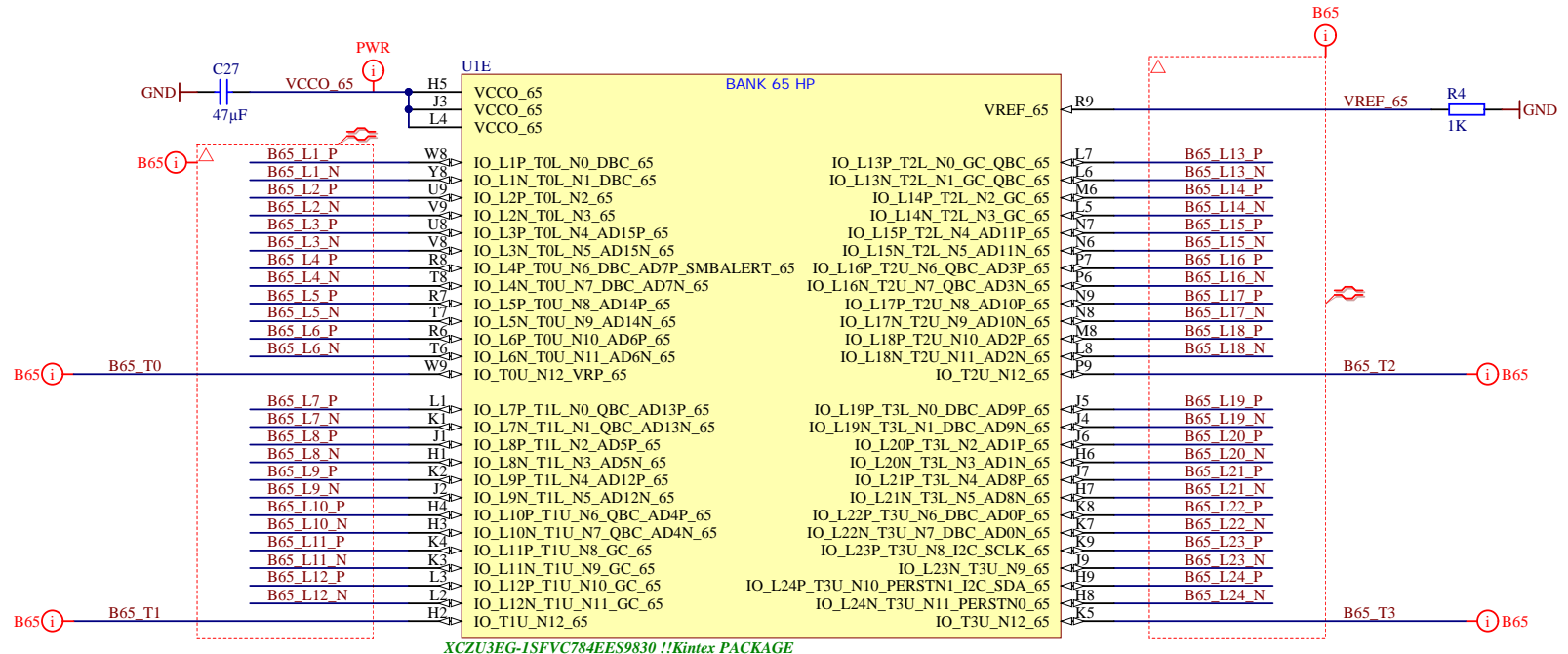
B

C

C

D

D



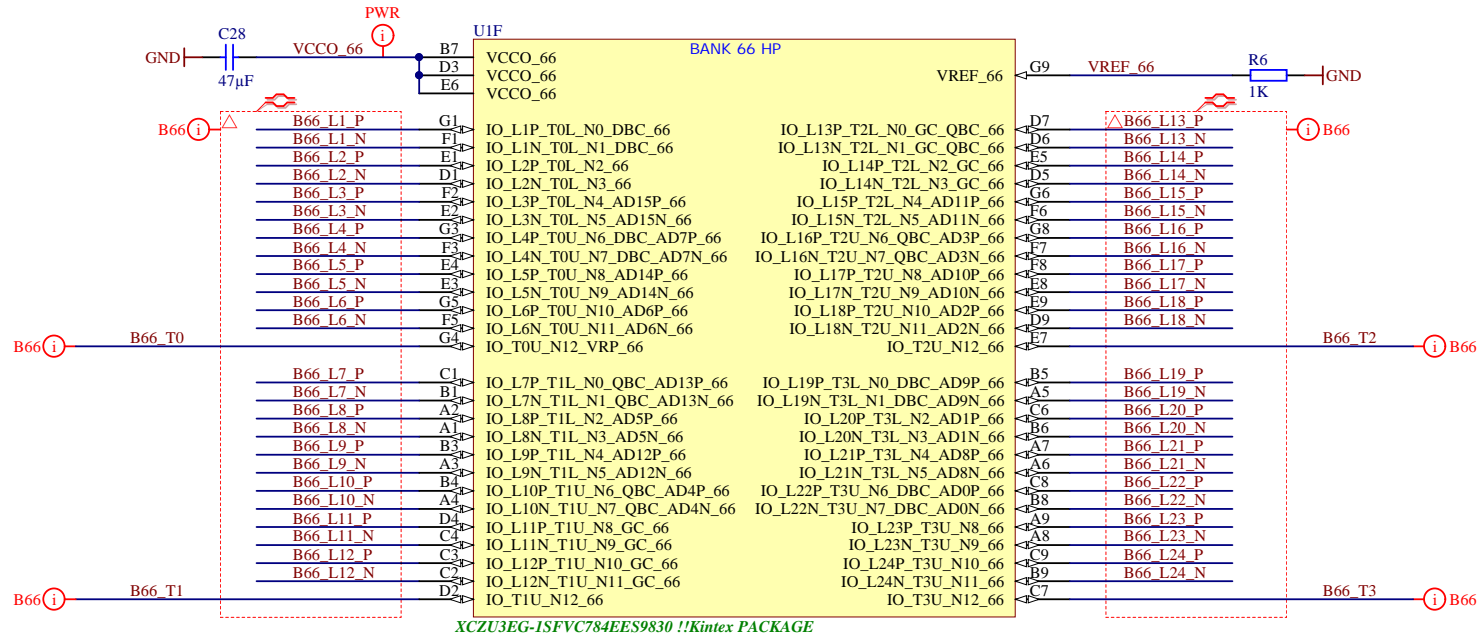
	Title: TE0803 - B65		
	A4	Number: TE0803 ZU3-ES1	Rev. 01
	Date: 2016-12-23	Copyright: Trenz Electronic GmbH / TT	Page9 of 25
	Filename: B65.SchDoc		

1

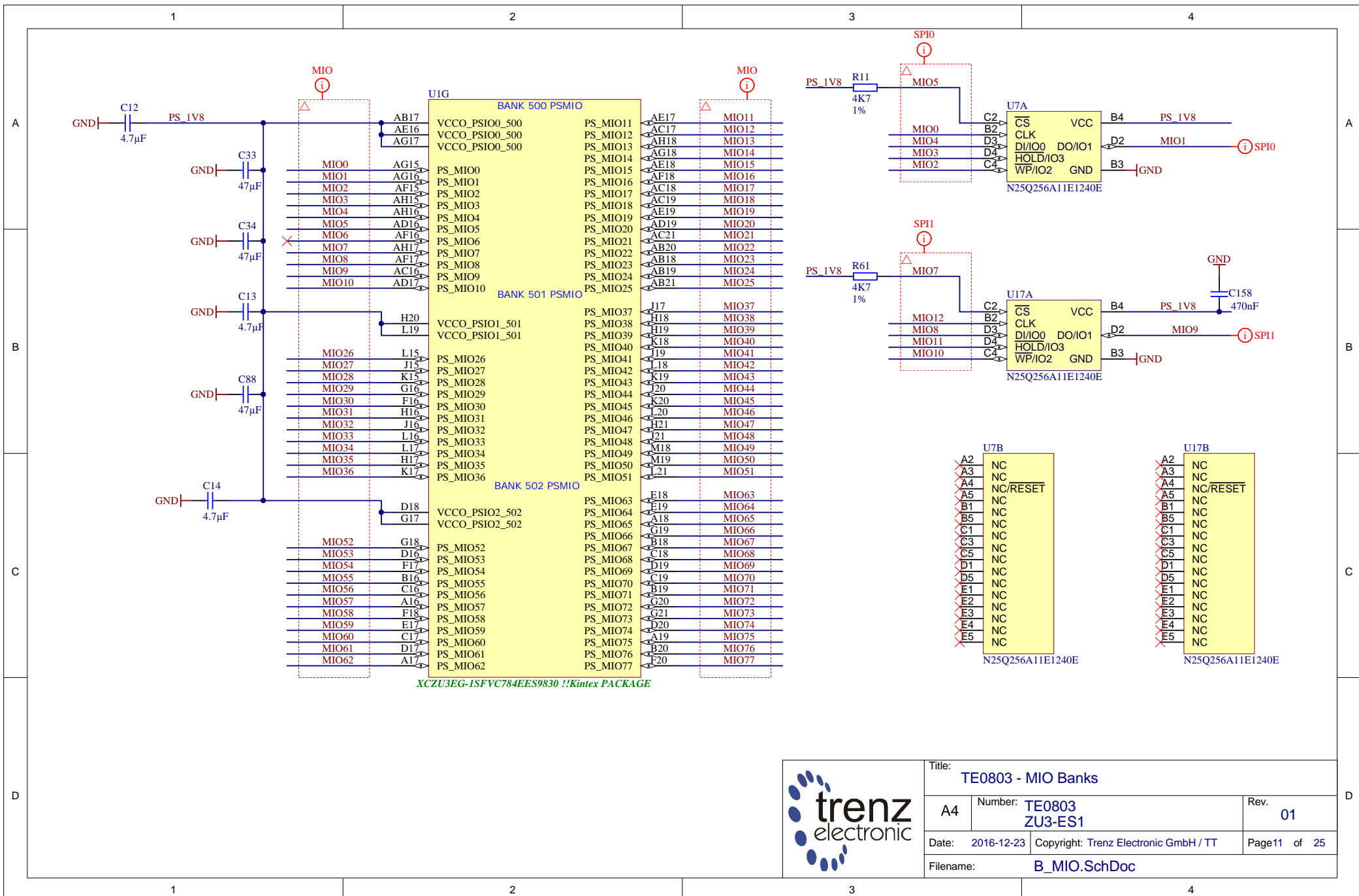
2

3

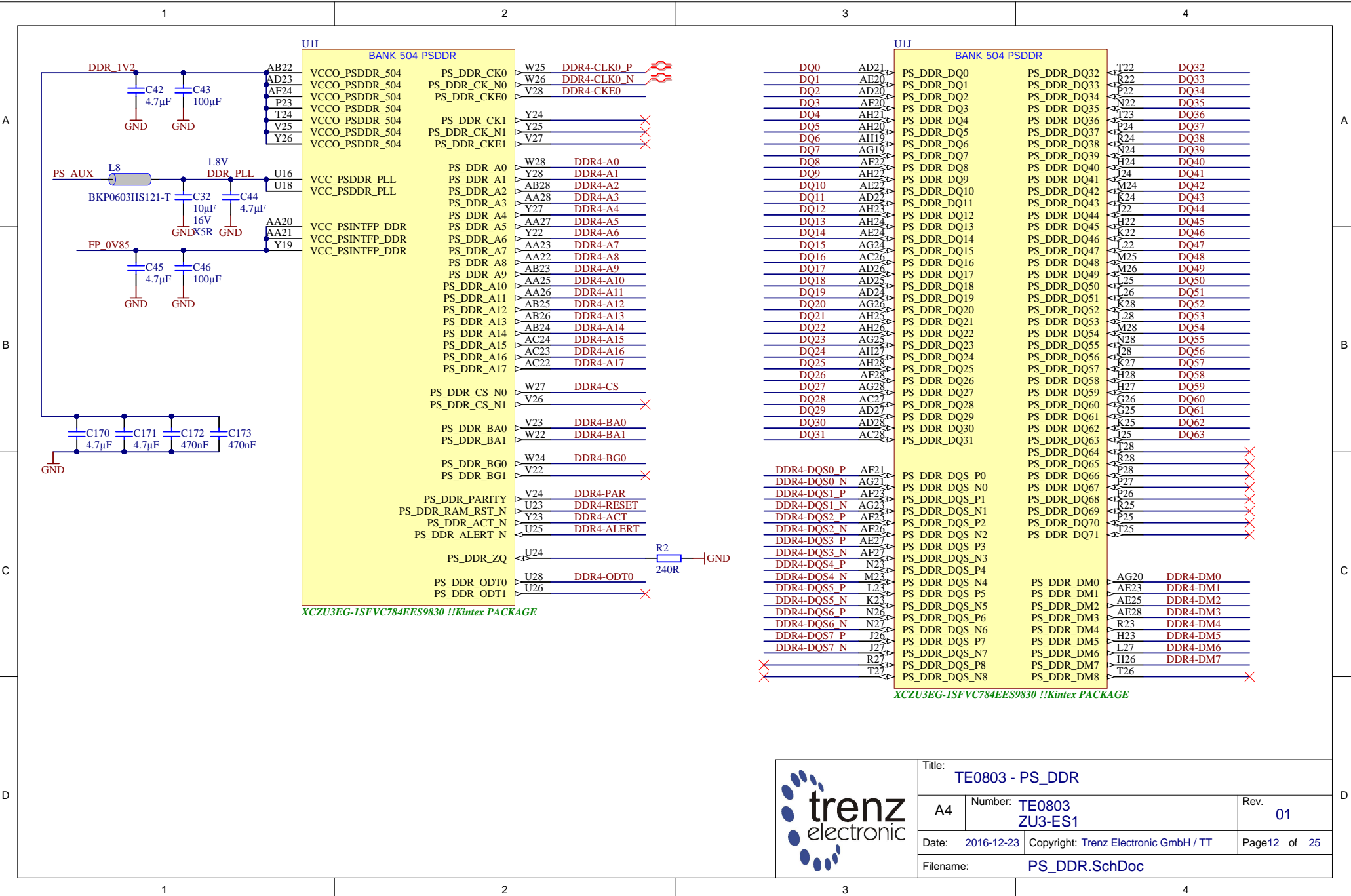
4



	Title: TE0803 - B66	
	A4	Number: TE0803 ZU3-ES1
	Date: 2016-12-23	Copyright: Trenz Electronic GmbH / TT
	Rev. 01	Page 10 of 25
Filename: B66.SchDoc		

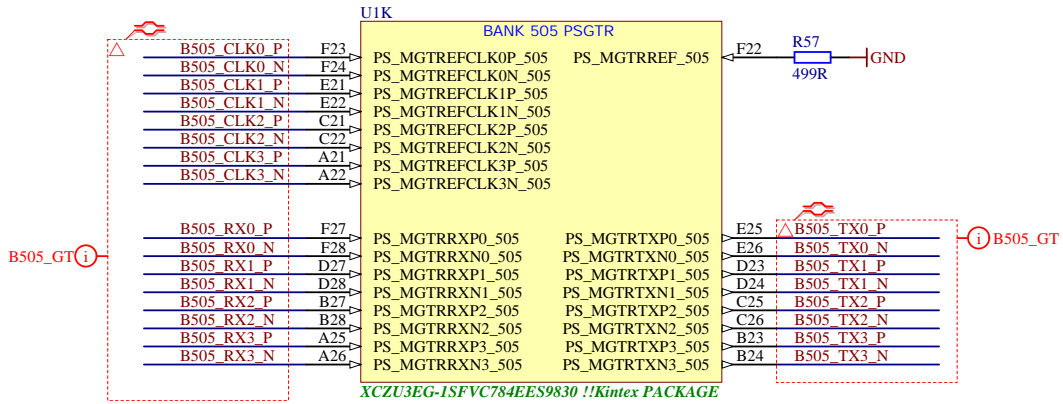



	Title: <b>TE0803 - MIO Banks</b>		
	A4	Number: <b>TE0803 ZU3-ES1</b>	Rev. <b>01</b>
	Date: 2016-12-23	Copyright: Trenz Electronic GmbH / TT	Page 11 of 25
	Filename: <b>B_MIO.SchDoc</b>		

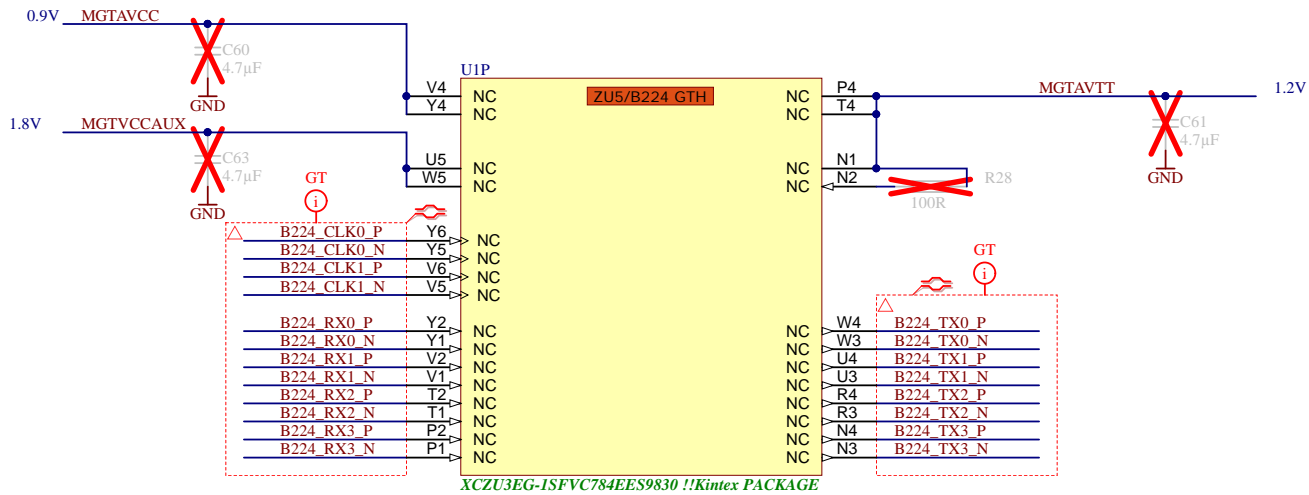


Title: TE0803 - PS\_DDR

A4	Number: TE0803 ZU3-ES1	Rev. 01
Date: 2016-12-23	Copyright: Trenz Electronic GmbH / TT	
Filename: PS_DDR.SchDoc		Page 12 of 25



	Title: TE0803 - PS_GT		
	A4	Number: TE0803 ZU3-ES1	Rev. 01
	Date: 2016-12-23	Copyright: Trenz Electronic GmbH / TT	Page13 of 25
	Filename: B_PS_GT.SchDoc		



Title: TE0803 - B224GTH		
A4	Number: TE0803 ZU3-ES1	Rev. 01
Date: 2016-12-23	Copyright: Trenz Electronic GmbH / TT	Page14 of 25
Filename: B_GT.SchDoc		

1

2

3

4

A

A

B

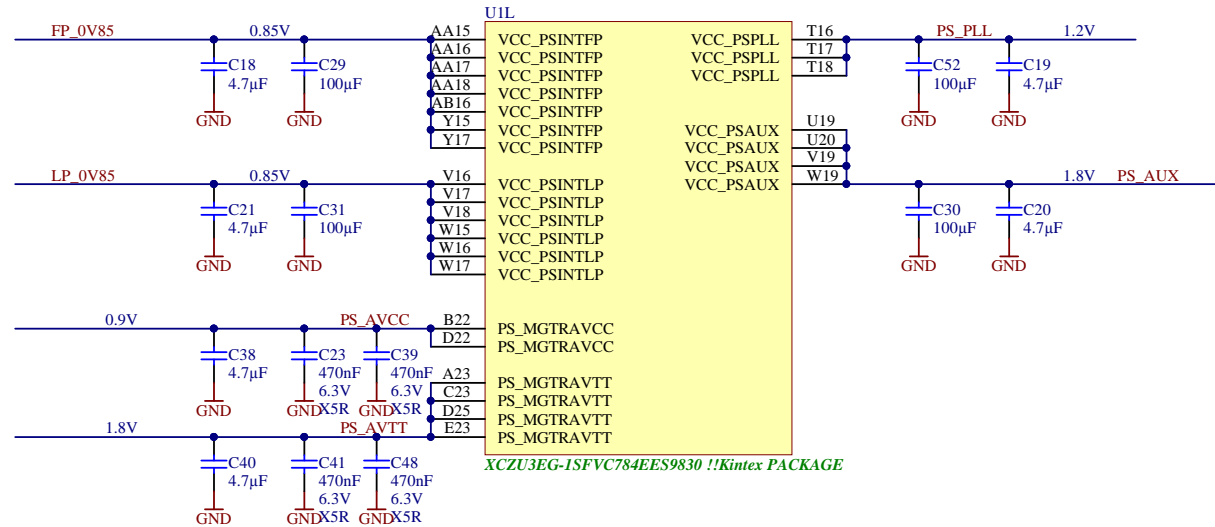
B

C

C

D

D



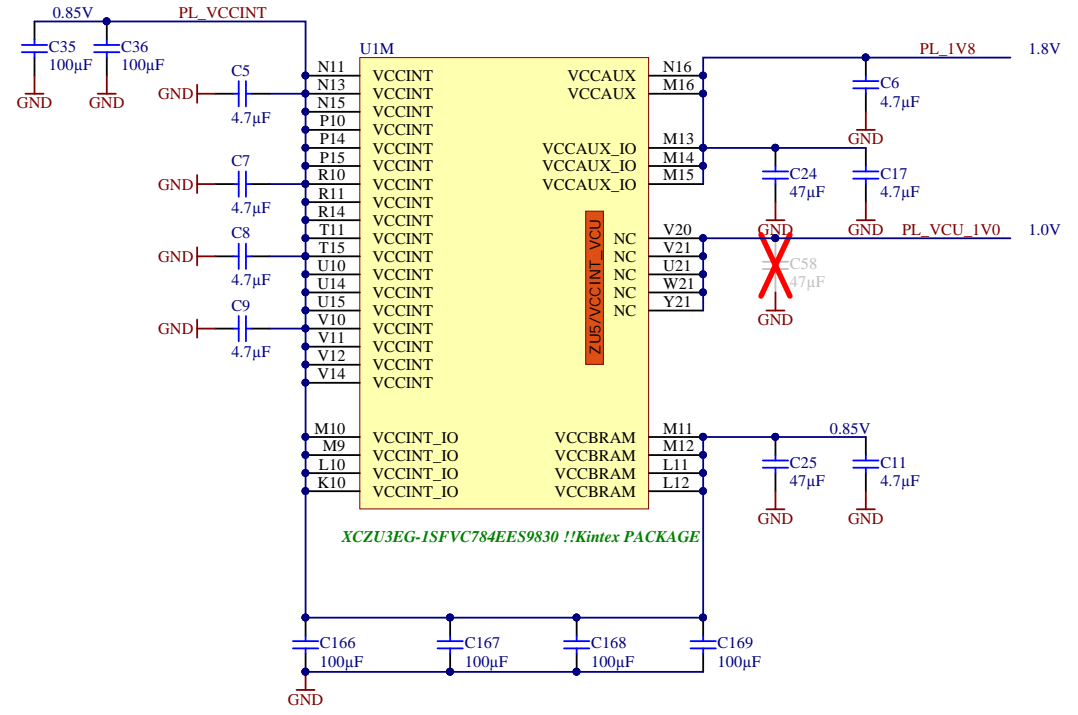
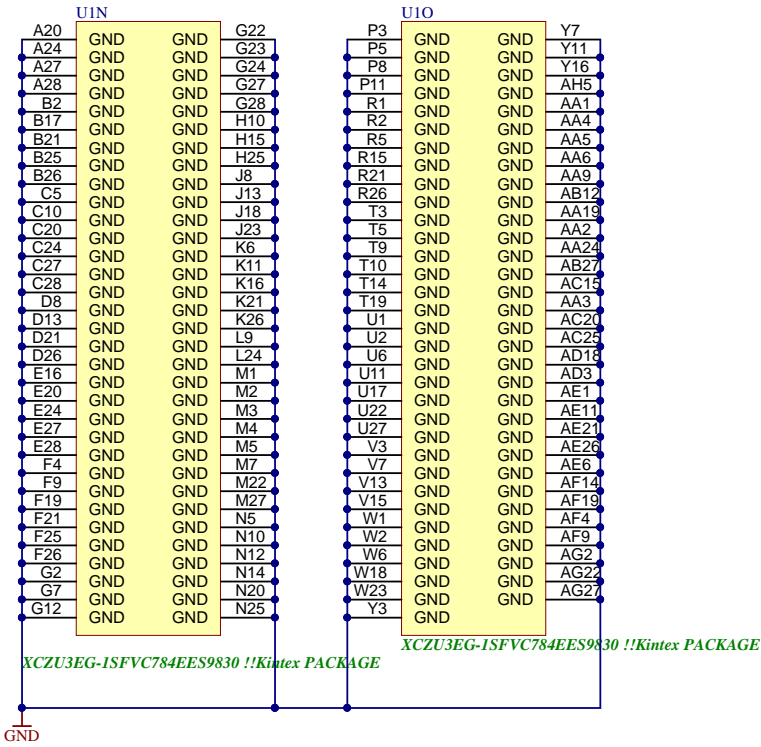
Title: TE0803 - ZU_PS_POWER		
A4	Number: TE0803 ZU3-ES1	Rev. 01
Date: 2016-12-23	Copyright: Trenz Electronic GmbH / TT	Page15 of 25
Filename: ZU_PS_POWER.SchDoc		

1

2

3

4



	Title: TE0803 - ZU_POWER	
	A4	Number: TE0803 ZU3-ES1
	Date: 2016-12-23	Copyright: Trenz Electronic GmbH / TT
	Filename: ZU_POWER.SchDoc	Page16 of 25



1

2

3

4

A

A

B

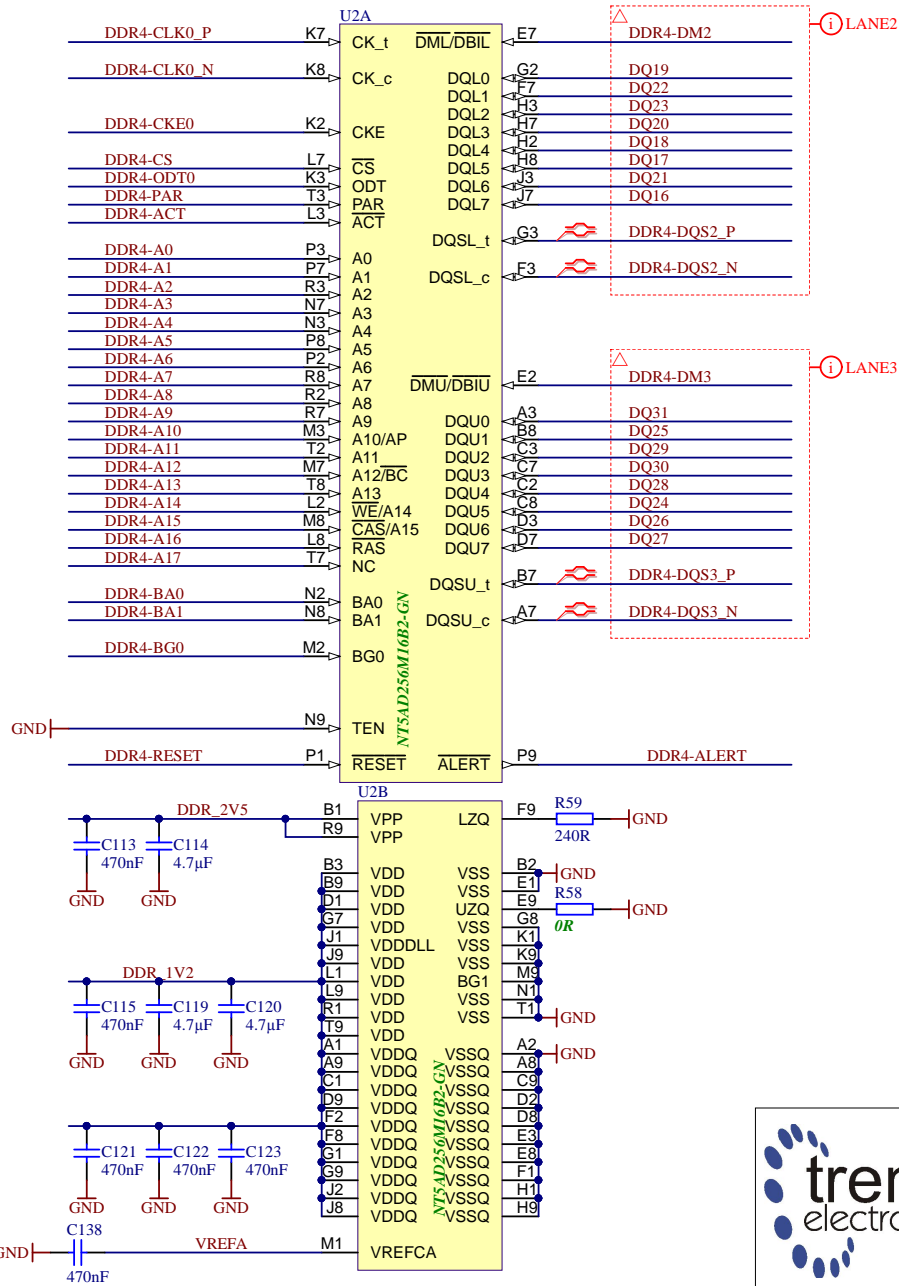
B

C

C

D

D



Title: TE0803 - DDR4_1_RAM		
A4	Number: TE0803 ZU3-ES1	Rev. 01
Date: 2016-12-23	Copyright: Trenz Electronic GmbH / TT	Page 17 of 25
Filename: DDR4-RAM.SchDoc		

1

2

3

4

1

2

3

4

A

A

B

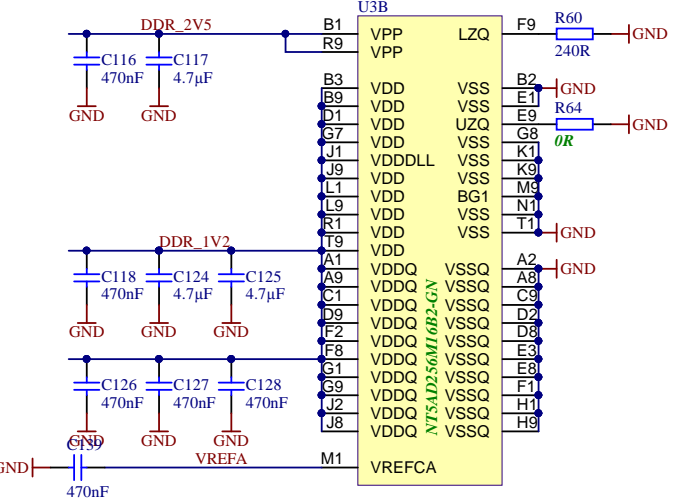
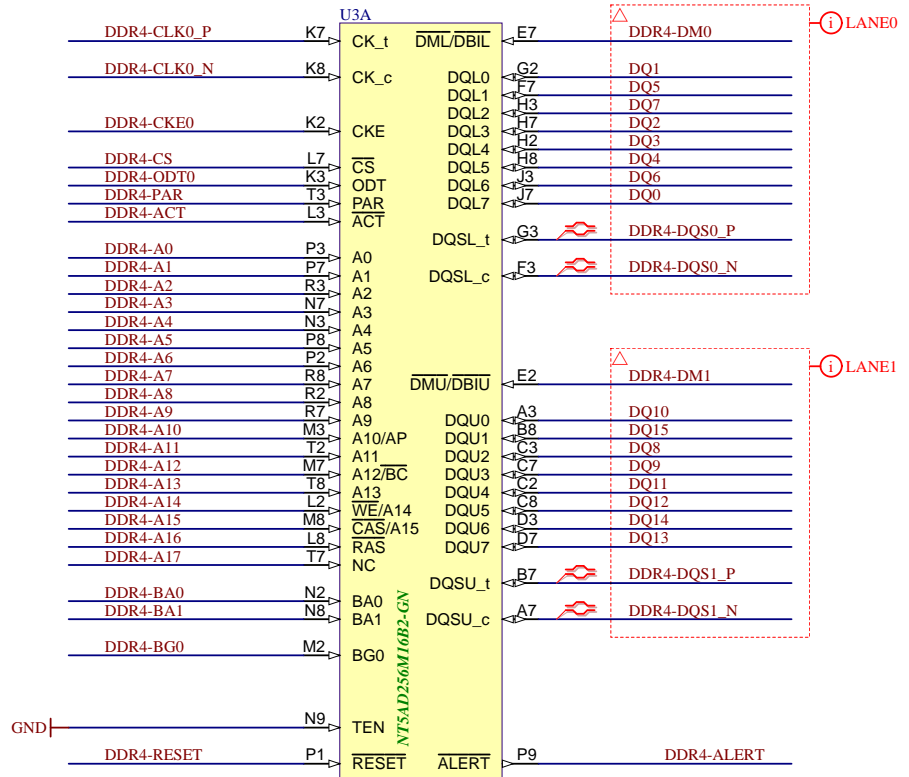
B

C

C

D

D



Title: TE0803 - DDR4_2_RAM		
A4	Number: TE0803 ZU3-ES1	Rev. 01
Date: 2016-12-23	Copyright: Trenz Electronic GmbH / TT	Page 18 of 25
Filename: DDR4-RAM_2.SchDoc		

1

2

3

4

1

2

3

4

A

A

B

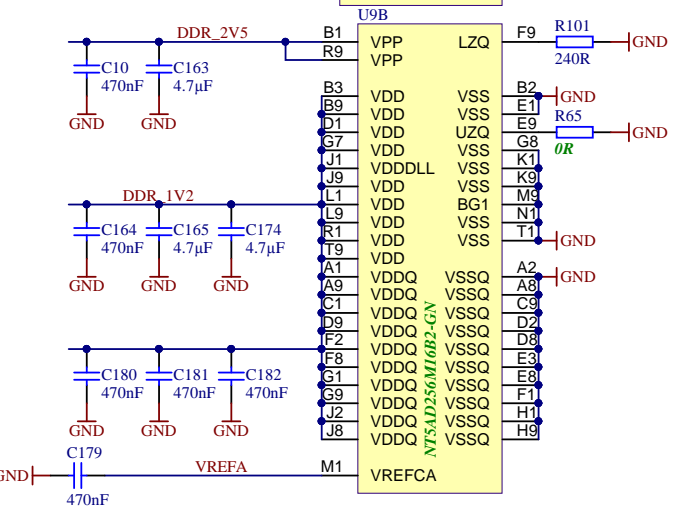
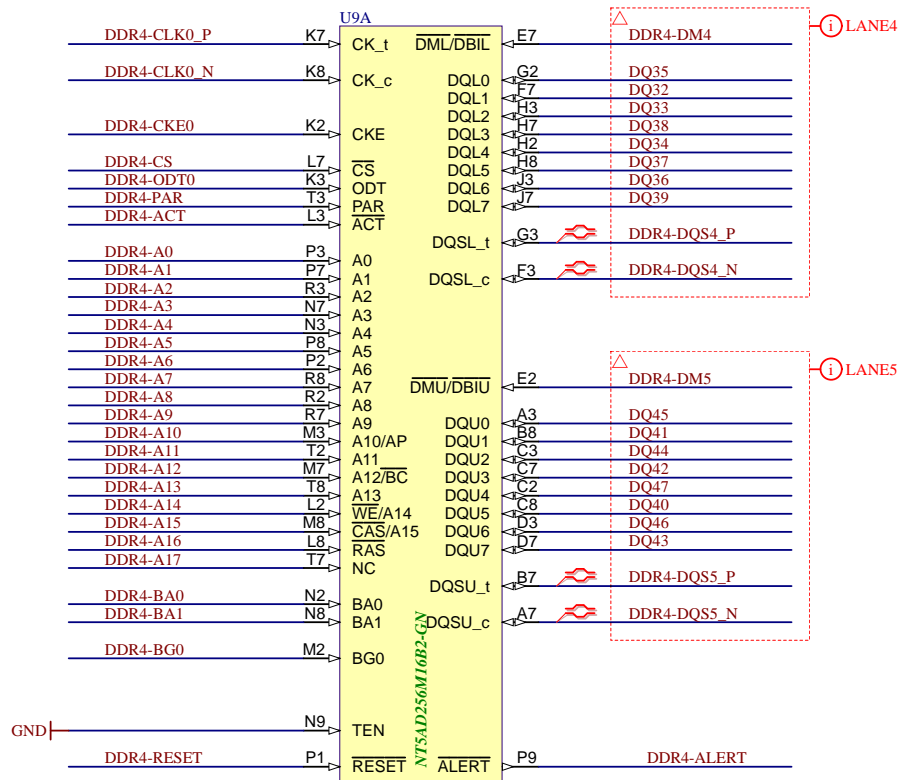
B

C

C

D

D



Title: TE0803 - DDR4_3_RAM		
A4	Number: TE0803 ZU3-ES1	Rev. 01
Date: 2016-12-23	Copyright: Trenz Electronic GmbH / TT	Page 19 of 25
Filename: DDR4-RAM_3.SchDoc		

1

2

3

4

1

2

3

4

A

A

B

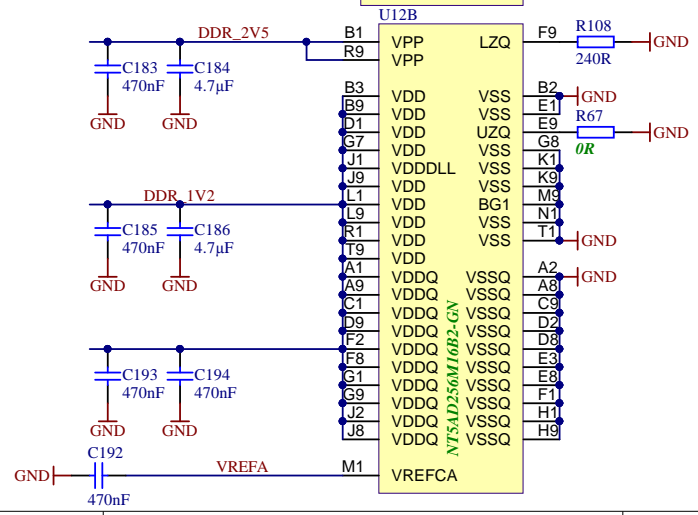
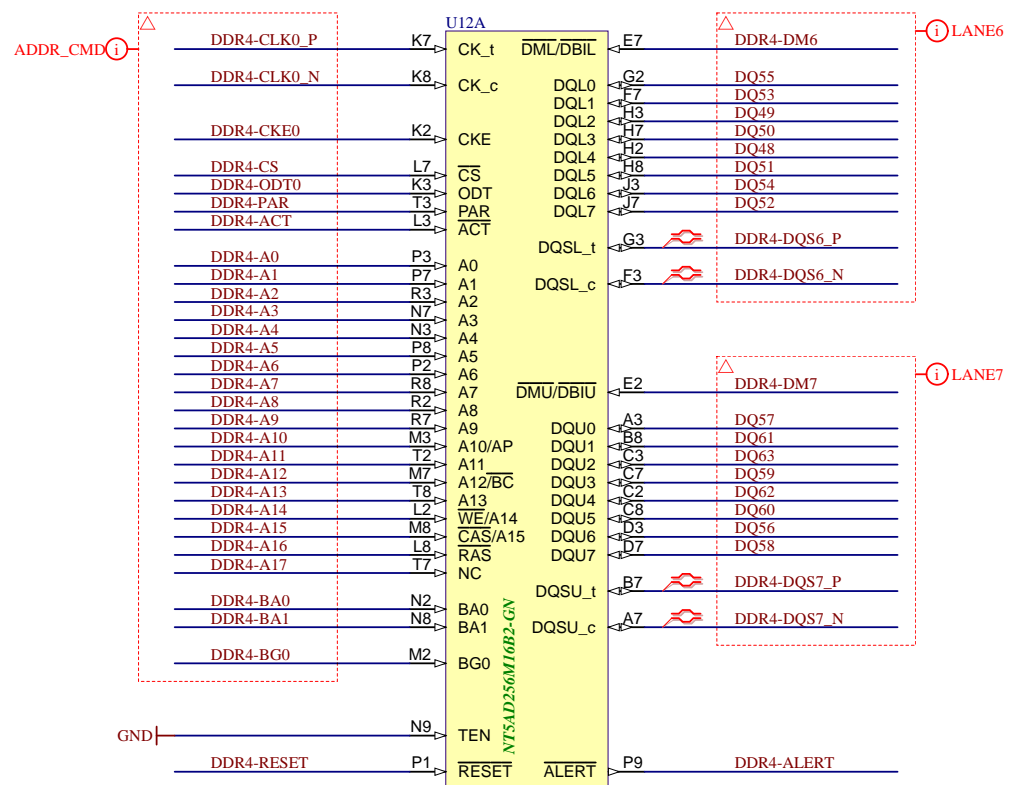
B

C

C

D

D



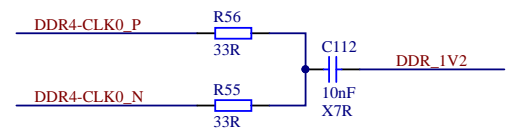
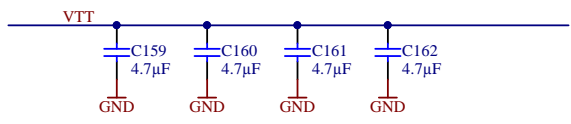
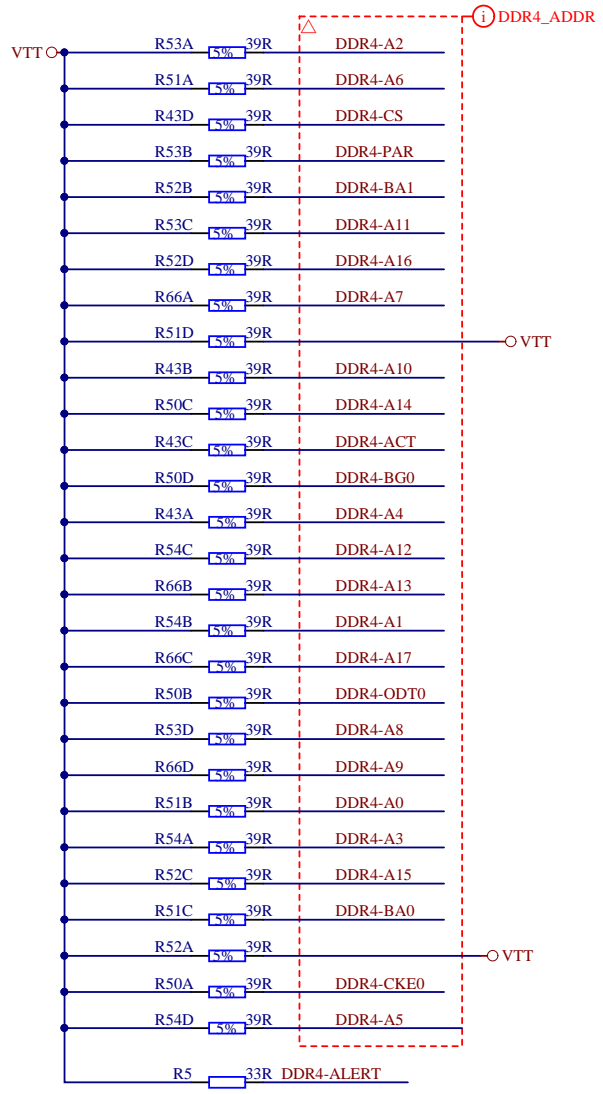
Title: TE0803 - DDR4_4_RAM		
A4	Number: TE0803 ZU3-ES1	Rev. 01
Date: 2016-12-23	Copyright: Trenz Electronic GmbH / TT	Page20 of 25
Filename: DDR4-RAM_4.SchDoc		

1

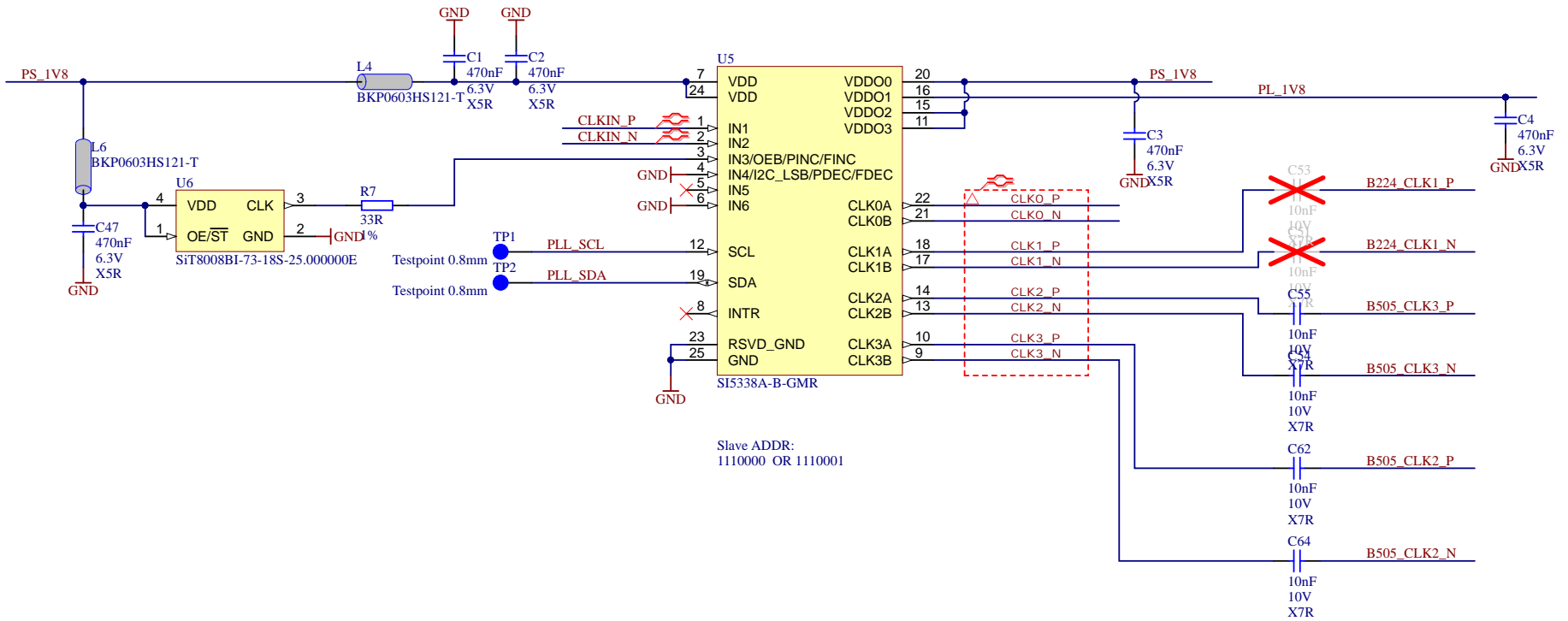
2

3

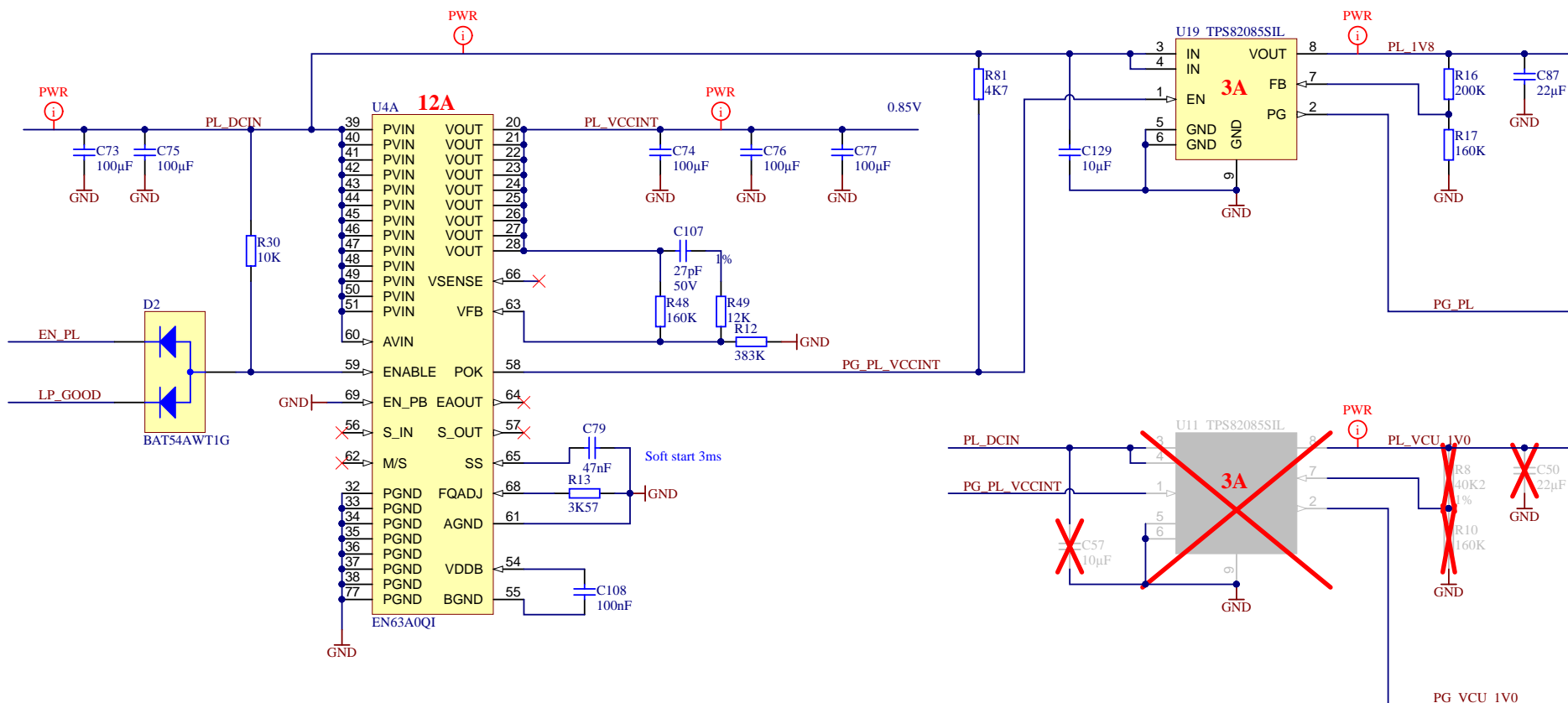
4



Title: TE0803 - DDR4_TERM		
A4	Number: TE0803 ZU3-ES1	Rev. 01
Date: 2016-12-23	Copyright: Trenz Electronic GmbH / TT	Page21 of 25
Filename: DDR4-TERM.SchDoc		



Title: TE0803 - CLOCK		
A4	Number: TE0803 ZU3-ES1	Rev. 01
Date: 2016-12-23	Copyright: Trenz Electronic GmbH / TT	Page22 of 25
Filename: Clock.SchDoc		

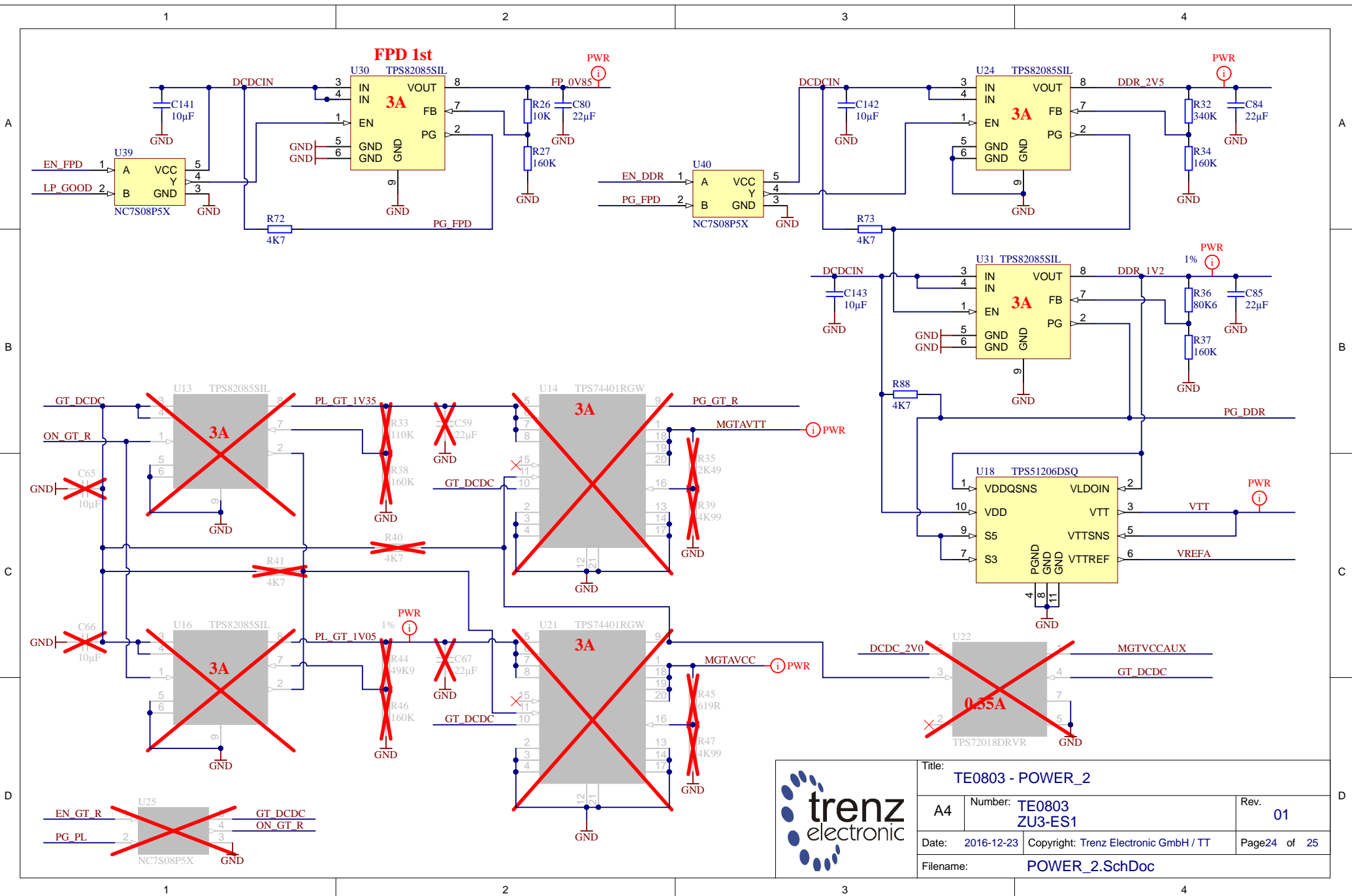


U4B

1	NC	NC	17
2	NC	NC	18
3	NC	NC	19
4	NC	NC	29
5	NC	NC	30
6	NC	NC(SW)	31
7	NC	NC(SW)	52
8	NC	NC	53
9	NC	NC	67
10	NC	NC(SW)	70
11	NC	NC(SW)	71
12	NC	NC(SW)	72
13	NC	NC	73
14	NC	NC	74
15	NC	NC	75
16	NC	NC	76

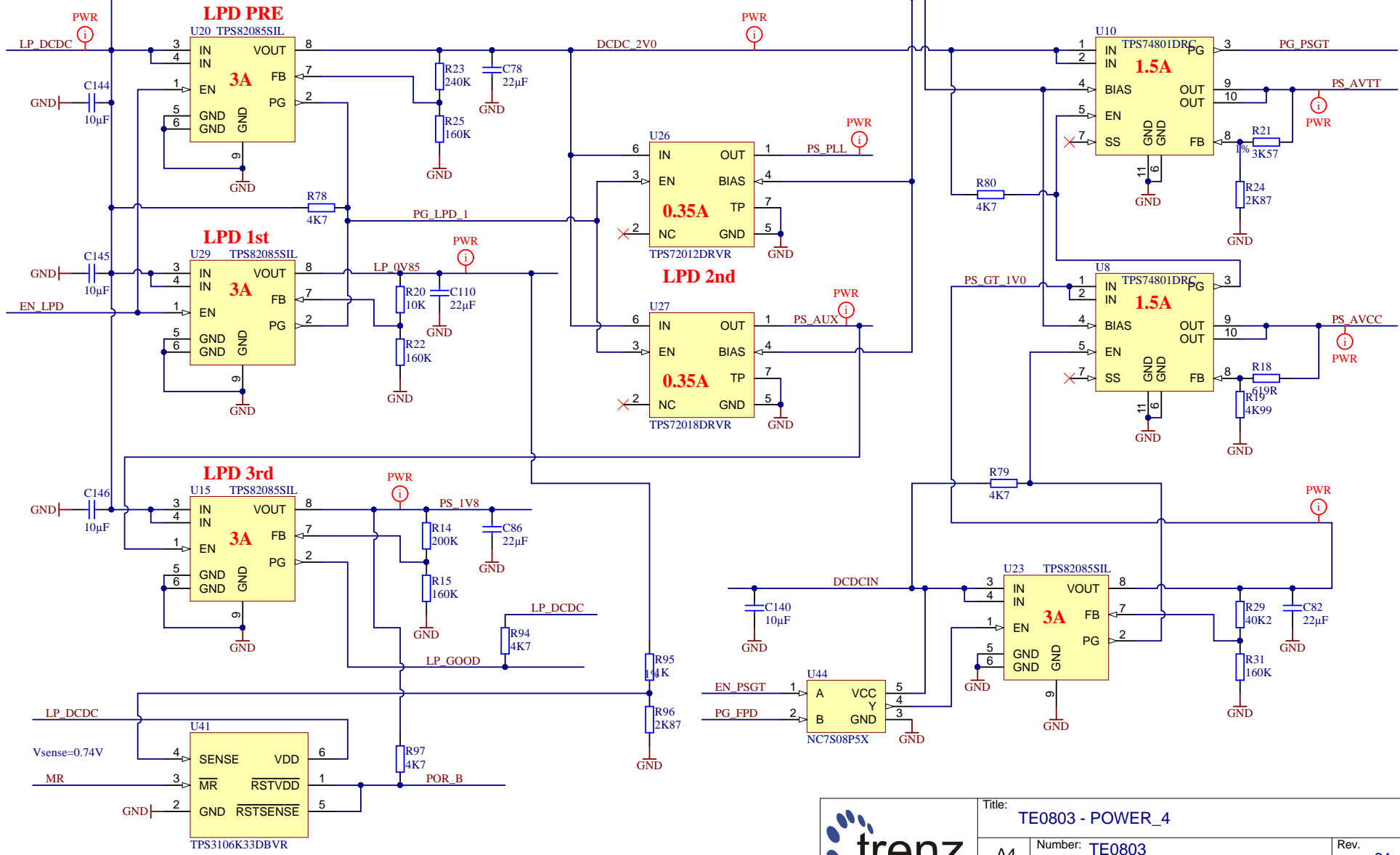
EN63A0QI


	Title: TE0803 - POWER	
	A4	Number: TE0803 ZU3-ES1
	Date: 2016-12-23	Copyright: Trenz Electronic GmbH / TT
	Filename: POWER.SchDoc	Page23 of 25



Title: TE0803 - POWER_2		
A4	Number: TE0803 ZU3-ES1	Rev. 01
Date: 2016-12-23	Copyright: Trenz Electronic GmbH / TT	Page24 of 25
Filename: POWER_2.SchDoc		





			Title: TE0803 - POWER_4	
			A4	Number: TE0803 ZU3-ES1
Date: 2016-12-23		Copyright: Trenz Electronic GmbH / TT		Rev. 01
Filename: POWER_4.SchDoc		Page 25 of 25		