

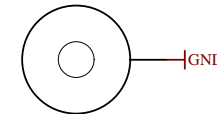
1

2

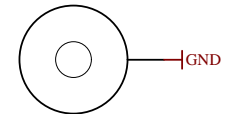
3

4

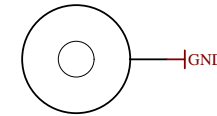
U_J1 J1.SchDoc	U_B_PS_GT B_PS_GT.SchDoc	U_DDR4-TERM DDR4-TERM.SchDoc
U_J2 J2.SchDoc	U_PS_DDR PS_DDR.SchDoc	U_ZU_POWER ZU_POWER.SchDoc
U_J3 J3.SchDoc	U_B_MIO B_MIO.SchDoc	U_ZU_PS_POWER ZU_PS_POWER.SchDoc
U_J4 J4.SchDoc	U_B_HD B_HD.SchDoc	U_POWER POWER.SchDoc
U_DDR4-TERM DDR4-TERM.SchDoc	U_Clock Clock.SchDoc	U_POWER_2 POWER_2.SchDoc
U_B64 B64.SchDoc	U_CONFIG CONFIG.SchDoc	
U_B65 B65.SchDoc	U_DDR4-RAM DDR4-RAM.SchDoc	U_POWER_4 POWER_4.SchDoc
U_B66 B66.SchDoc	U_DDR4-RAM_2 DDR4-RAM_2.SchDoc	U_REV_CH Revision_Changes.SchDoc
U_B_GT B_GT.SchDoc	U_DDR4-RAM_3 DDR4-RAM_3.SchDoc	
	U_DDR4-RAM_4 DDR4-RAM_4.SchDoc	



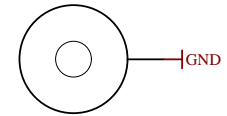
Mount.Hole 3.2mm für Unterlegscheibe



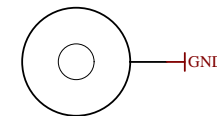
Mount.Hole 3.2mm für Unterlegscheibe



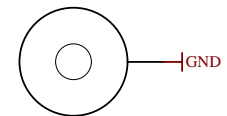
Mount.Hole 3.2mm für Unterlegscheibe



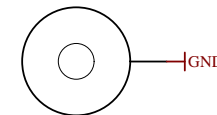
Mount.Hole 3.2mm für Unterlegscheibe



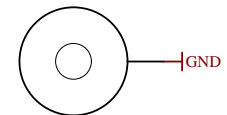
Mount.Hole 3.2mm für Unterlegscheibe



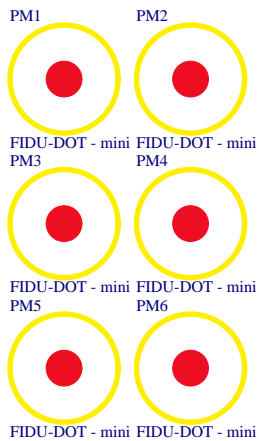
Mount.Hole 3.2mm für Unterlegscheibe



Mount.Hole 3.2mm für Unterlegscheibe

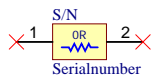


Mount.Hole 3.2mm für Unterlegscheibe



LOGO1
TE Logo PRINT Layer
LOGO PRINT

Serial
Serial
Serialnumber 6,3 x 6.3mm



Title: TE0803		
A4	Number: TE0803 02EG-1EA	Rev. 02
Date: 2018-05-21	Copyright: Trenz Electronic GmbH / TT	Page1 of 26
Filename: TE0803.SchDoc		

1

2

3

4

A

A

B

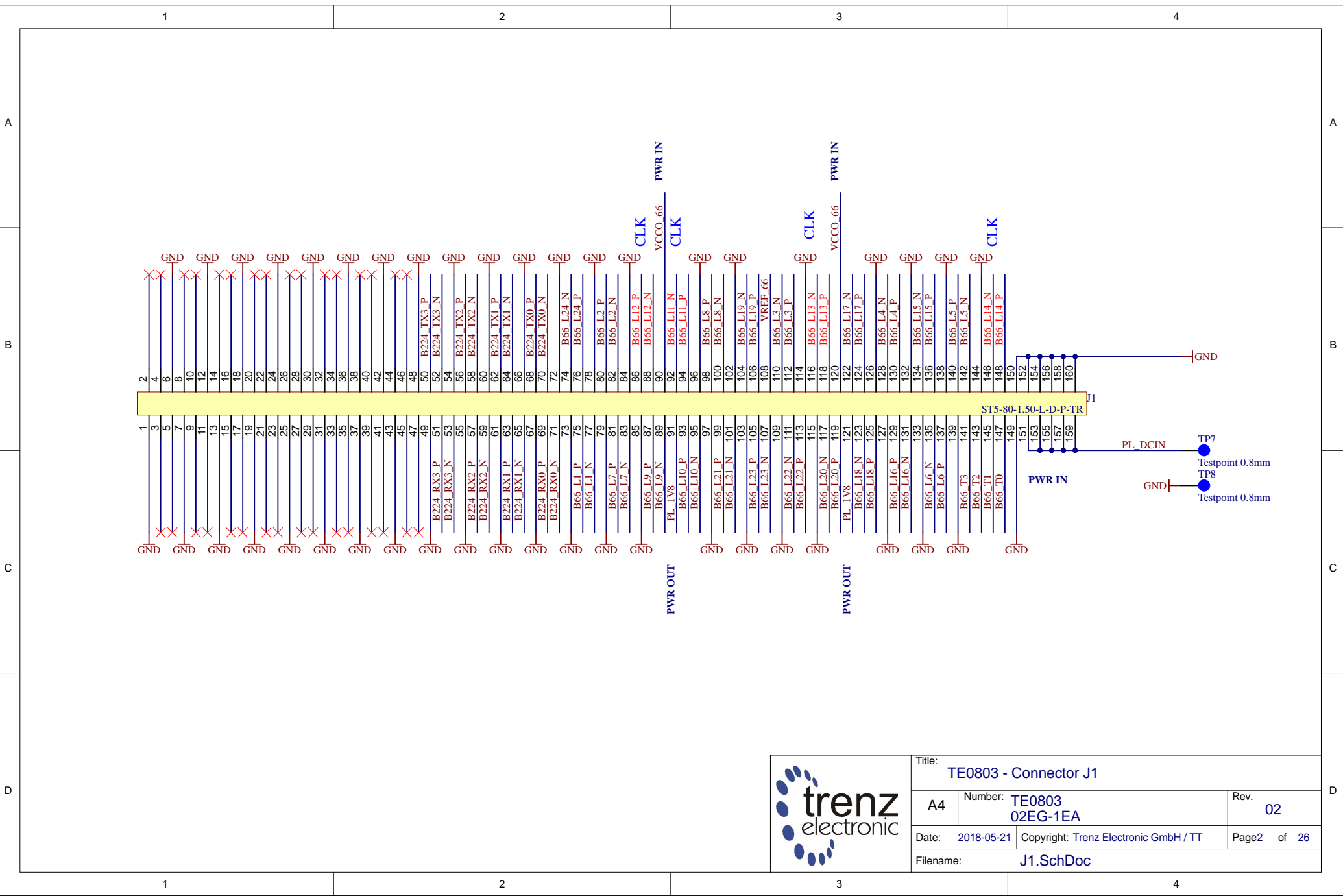

B

C

C

D

D

Title: TE0803 - Connector J1		
A4	Number: TE0803 02EG-1EA	Rev. 02
Date: 2018-05-21	Copyright: Trenz Electronic GmbH / TT	Page2 of 26
Filename: J1.SchDoc		

1

2

3

4

A

A

B

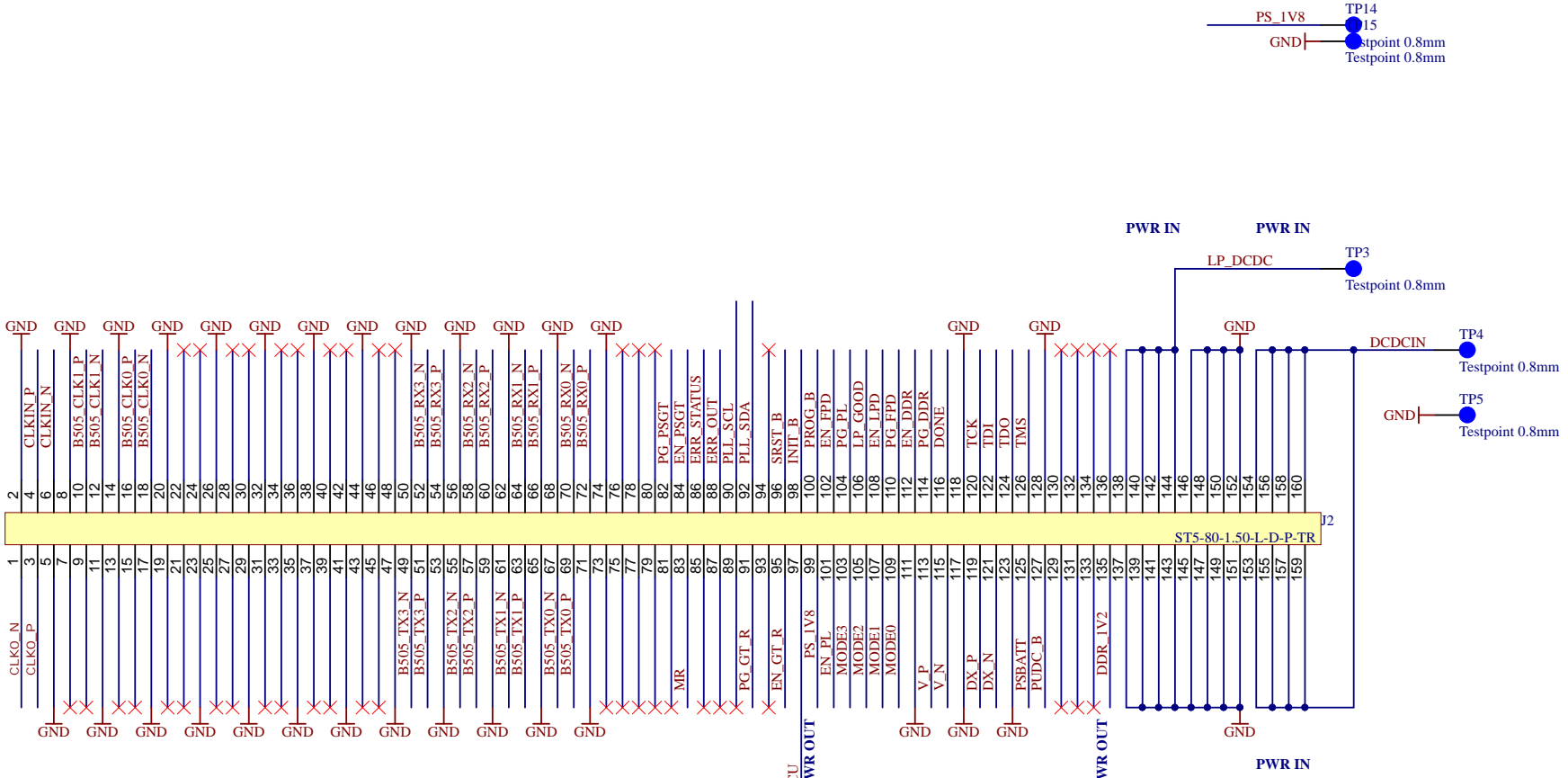
B

C

C

D

D



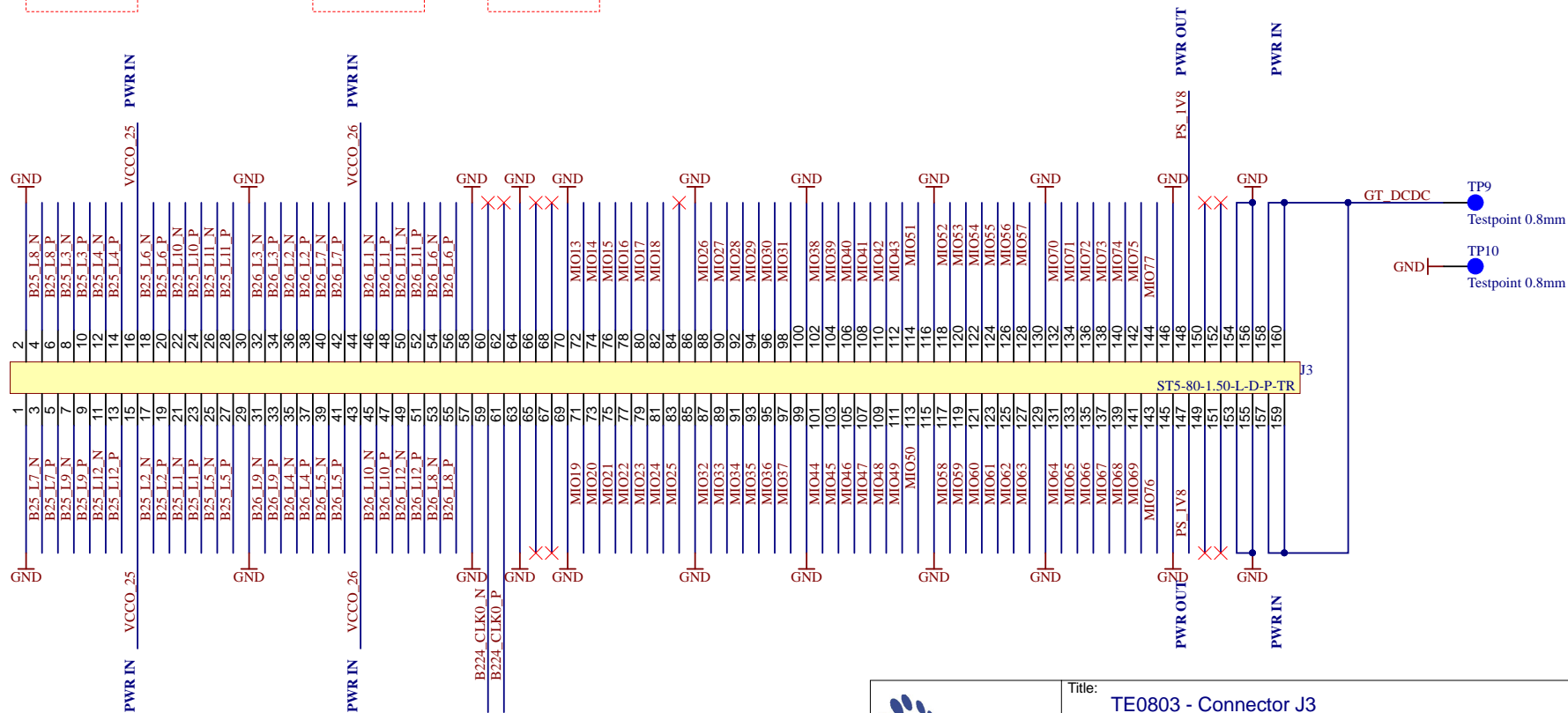
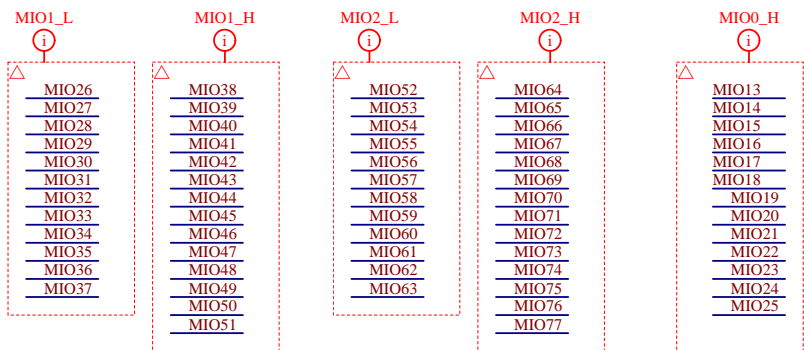
Title: TE0803 - Connector J2		
A4	Number: TE0803 02EG-1EA	Rev. 02
Date: 2018-05-21	Copyright: Trenz Electronic GmbH / TT	Page3 of 26
Filename: J2.SchDoc		

1

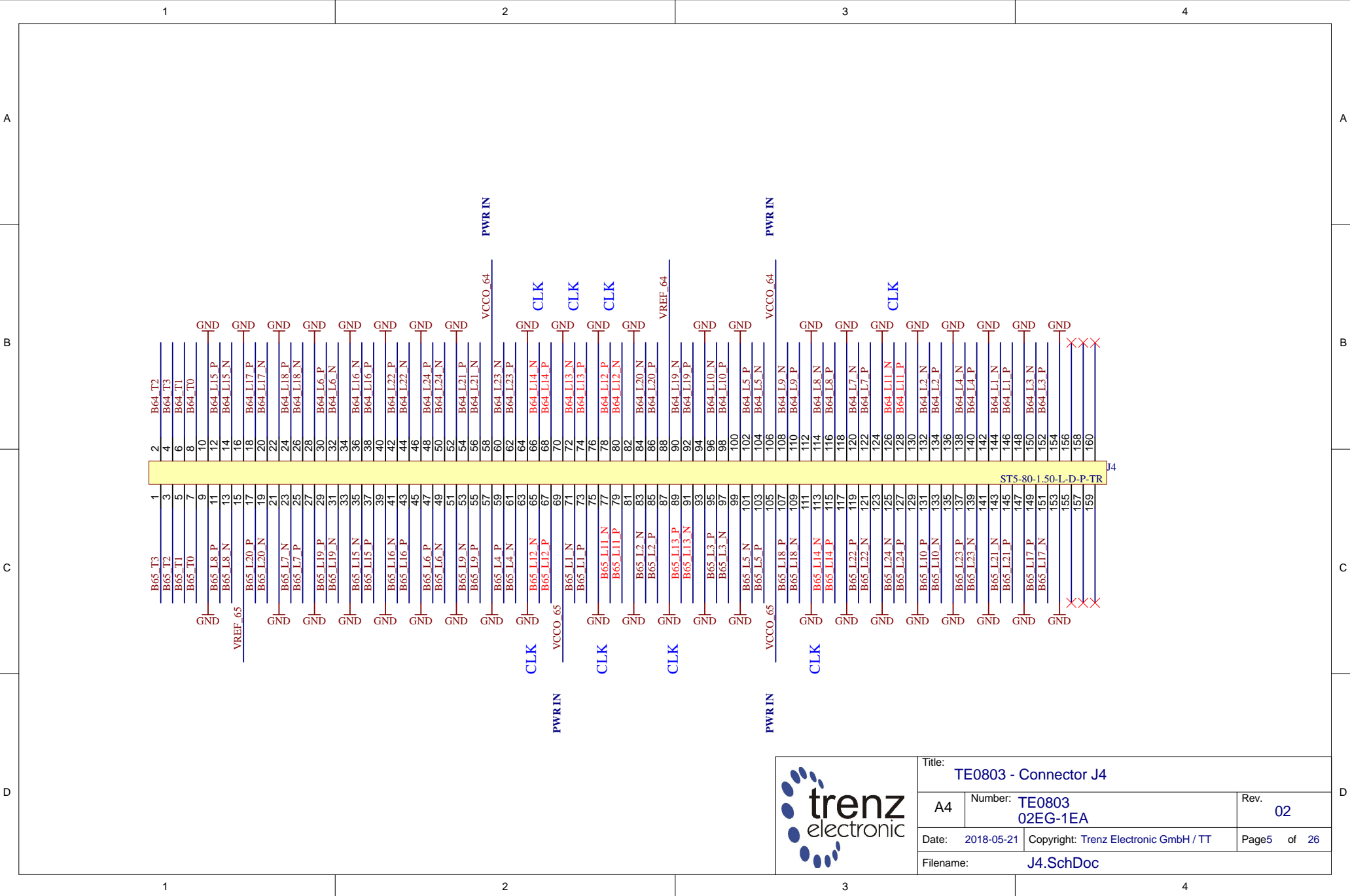
2

3

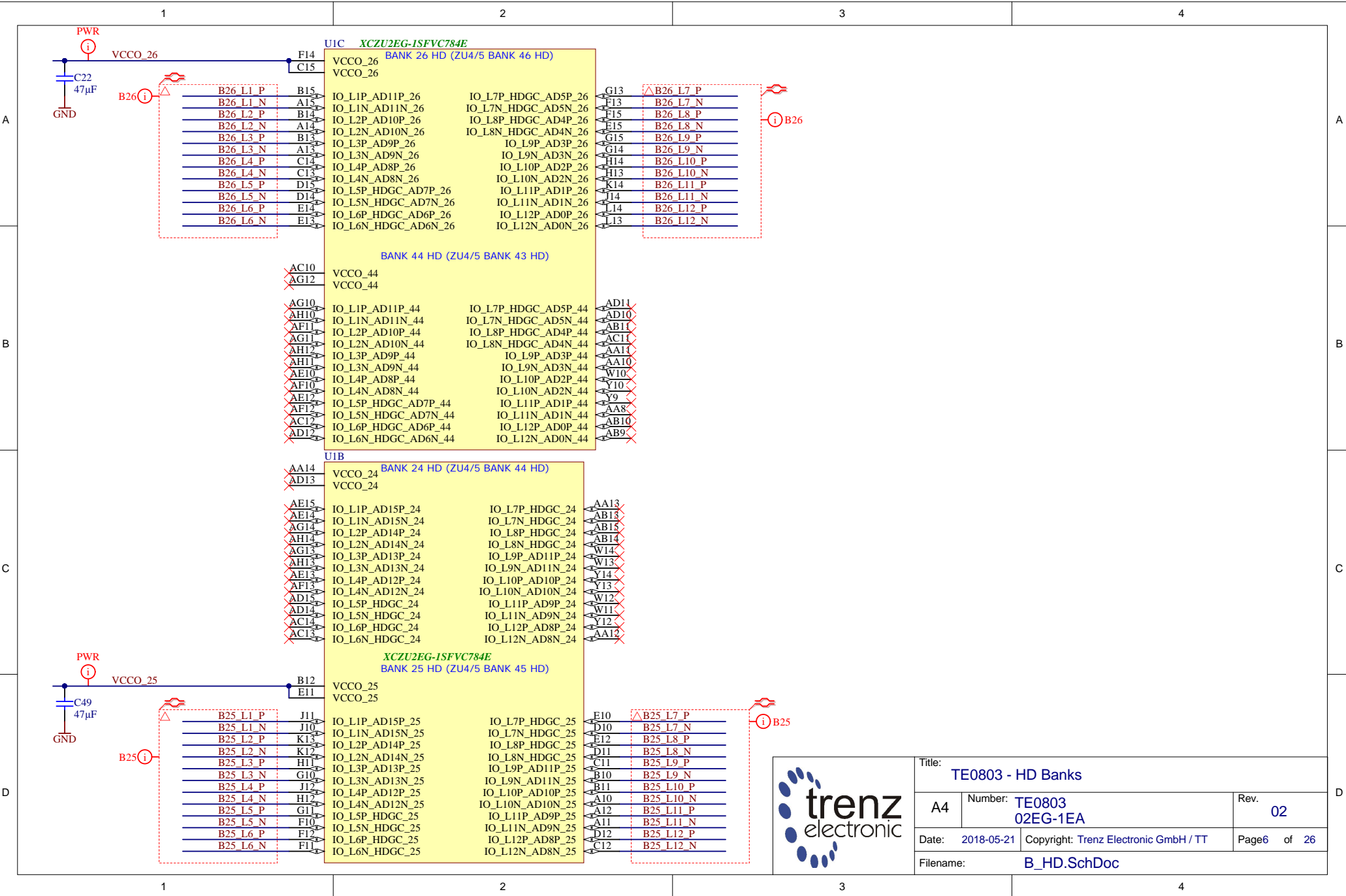
4



	Title: TE0803 - Connector J3	
	A4	Number: TE0803 02EG-1EA
	Date: 2018-05-21	Copyright: Trenz Electronic GmbH / TT
	Rev. 02	Page4 of 26
Filename: J3.SchDoc		



Title: TE0803 - Connector J4		
A4	Number: TE0803 02EG-1EA	Rev. 02
Date: 2018-05-21	Copyright: Trenz Electronic GmbH / TT	Page5 of 26
Filename: J4.SchDoc		



UIC XCZU2EG-1SFVC784E
BANK 26 HD (ZU4/5 BANK 46 HD)

VCCO_26	F14	VCCO_26	IO_L1P_AD11P_26	IO_L7P_HDGC_AD5P_26	G13	B26 L7 P
VCCO_26	C15	VCCO_26	IO_L1N_AD11N_26	IO_L7N_HDGC_AD5N_26	F13	B26 L7 N
			IO_L2P_AD10P_26	IO_L8P_HDGC_AD4P_26	F15	B26 L8 P
			IO_L2N_AD10N_26	IO_L8N_HDGC_AD4N_26	F15	B26 L8 N
			IO_L3P_AD9P_26	IO_L9P_AD3P_26	G15	B26 L9 P
			IO_L3N_AD9N_26	IO_L9N_AD3N_26	G14	B26 L9 N
			IO_L4P_AD8P_26	IO_L10P_AD2P_26	H14	B26 L10 P
			IO_L4N_AD8N_26	IO_L10N_AD2N_26	H13	B26 L10 N
			IO_L5P_HDGC_AD7P_26	IO_L11P_AD1P_26	K14	B26 L11 P
			IO_L5N_HDGC_AD7N_26	IO_L11N_AD1N_26	J14	B26 L11 N
			IO_L6P_HDGC_AD6P_26	IO_L12P_AD0P_26	L14	B26 L12 P
			IO_L6N_HDGC_AD6N_26	IO_L12N_AD0N_26	L13	B26 L12 N

BANK 44 HD (ZU4/5 BANK 43 HD)

VCCO_44	AC10	VCCO_44	IO_L1P_AD11P_44	IO_L7P_HDGC_AD5P_44	AD11	
VCCO_44	AG12	VCCO_44	IO_L1N_AD11N_44	IO_L7N_HDGC_AD5N_44	AD10	
			IO_L2P_AD10P_44	IO_L8P_HDGC_AD4P_44	AB11	
			IO_L2N_AD10N_44	IO_L8N_HDGC_AD4N_44	AC11	
			IO_L3P_AD9P_44	IO_L9P_AD3P_44	AA11	
			IO_L3N_AD9N_44	IO_L9N_AD3N_44	AA10	
			IO_L4P_AD8P_44	IO_L10P_AD2P_44	W10	
			IO_L4N_AD8N_44	IO_L10N_AD2N_44	Y10	
			IO_L5P_HDGC_AD7P_44	IO_L11P_AD1P_44	Y9	
			IO_L5N_HDGC_AD7N_44	IO_L11N_AD1N_44	AA8	
			IO_L6P_HDGC_AD6P_44	IO_L12P_AD0P_44	AB10	
			IO_L6N_HDGC_AD6N_44	IO_L12N_AD0N_44	AB9	

UIB
BANK 24 HD (ZU4/5 BANK 44 HD)

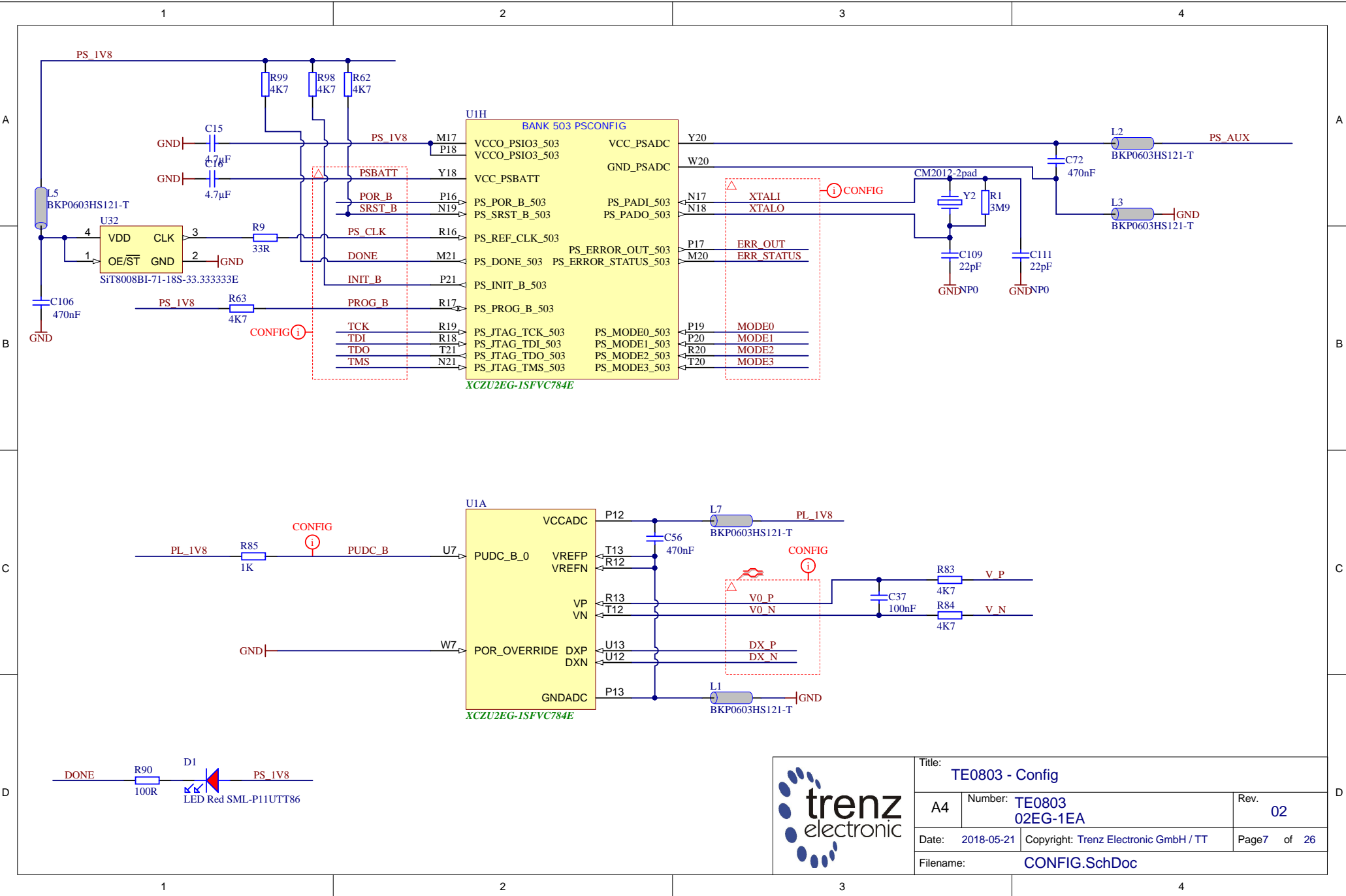
VCCO_24	AA14	VCCO_24	IO_L1P_AD15P_24	IO_L7P_HDGC_24	AA13	
VCCO_24	AD13	VCCO_24	IO_L1N_AD15N_24	IO_L7N_HDGC_24	AB13	
			IO_L2P_AD14P_24	IO_L8P_HDGC_24	AB15	
			IO_L2N_AD14N_24	IO_L8N_HDGC_24	AB14	
			IO_L3P_AD13P_24	IO_L9P_AD11P_24	W14	
			IO_L3N_AD13N_24	IO_L9N_AD11N_24	W13	
			IO_L4P_AD12P_24	IO_L10P_AD10P_24	Y14	
			IO_L4N_AD12N_24	IO_L10N_AD10N_24	Y13	
			IO_L5P_HDGC_24	IO_L11P_AD9P_24	W12	
			IO_L5N_HDGC_24	IO_L11N_AD9N_24	W11	
			IO_L6P_HDGC_24	IO_L12P_AD8P_24	Y12	
			IO_L6N_HDGC_24	IO_L12N_AD8N_24	AA12	

XCZU2EG-1SFVC784E
BANK 25 HD (ZU4/5 BANK 45 HD)

VCCO_25	B12	VCCO_25	IO_L1P_AD15P_25	IO_L7P_HDGC_25	E10	B25 L7 P
VCCO_25	E11	VCCO_25	IO_L1N_AD15N_25	IO_L7N_HDGC_25	D10	B25 L7 N
			IO_L2P_AD14P_25	IO_L8P_HDGC_25	E12	B25 L8 P
			IO_L2N_AD14N_25	IO_L8N_HDGC_25	D11	B25 L8 N
			IO_L3P_AD13P_25	IO_L9P_AD11P_25	C11	B25 L9 P
			IO_L3N_AD13N_25	IO_L9N_AD11N_25	B10	B25 L9 N
			IO_L4P_AD12P_25	IO_L10P_AD10P_25	B11	B25 L10 P
			IO_L4N_AD12N_25	IO_L10N_AD10N_25	A10	B25 L10 N
			IO_L5P_HDGC_25	IO_L11P_AD9P_25	A12	B25 L11 P
			IO_L5N_HDGC_25	IO_L11N_AD9N_25	A11	B25 L11 N
			IO_L6P_HDGC_25	IO_L12P_AD8P_25	D12	B25 L12 P
			IO_L6N_HDGC_25	IO_L12N_AD8N_25	C12	B25 L12 N



Title: TE0803 - HD Banks		
A4	Number: TE0803 02EG-1EA	Rev. 02
Date: 2018-05-21	Copyright: Trenz Electronic GmbH / TT	Page6 of 26
Filename: B_HD.SchDoc		



Title: TE0803 - Config		
A4	Number: TE0803 02EG-1EA	Rev. 02
Date: 2018-05-21	Copyright: Trenz Electronic GmbH / TT	Page 7 of 26
Filename: CONFIG.SchDoc		

1

2

3

4

A

A

B

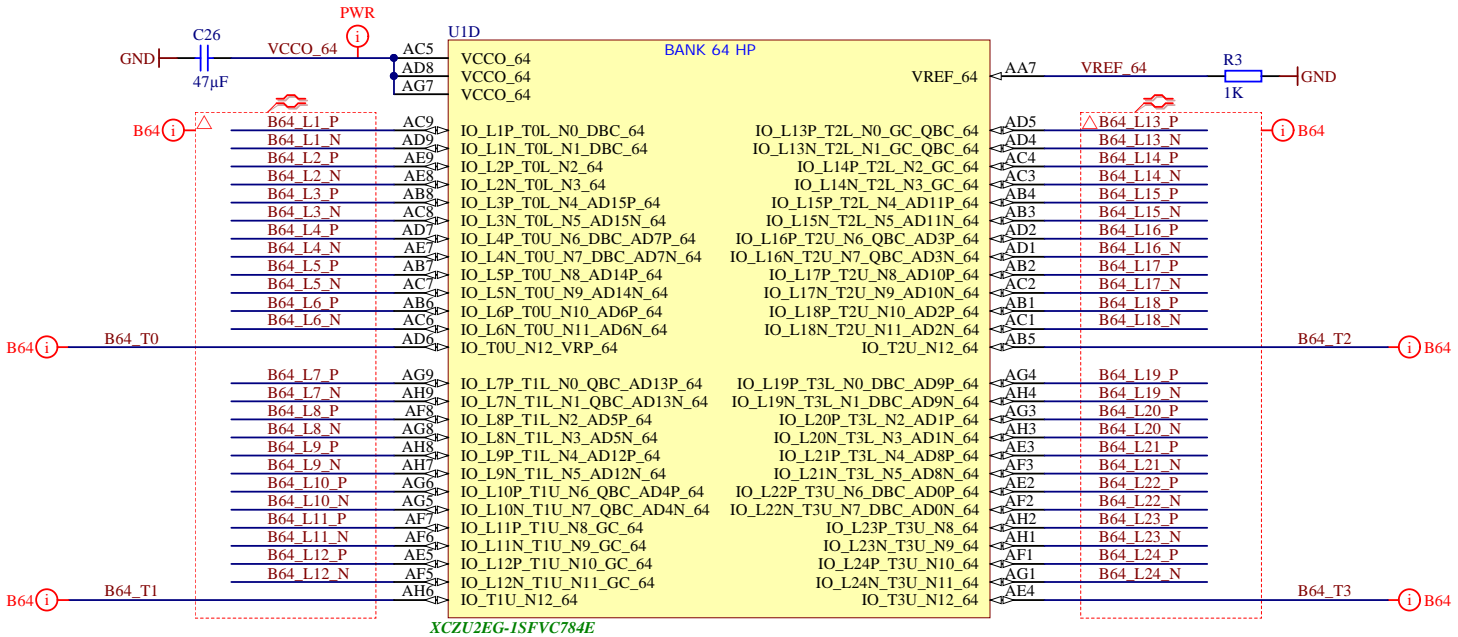

B

C

C

D

D

Title: TE0803 - B64		
A4	Number: TE0803 02EG-1EA	Rev. 02
Date: 2018-05-21	Copyright: Trenz Electronic GmbH / TT	Page 8 of 26
Filename: B64.SchDoc		

1

2

3

4

1

2

3

4

A

A

B

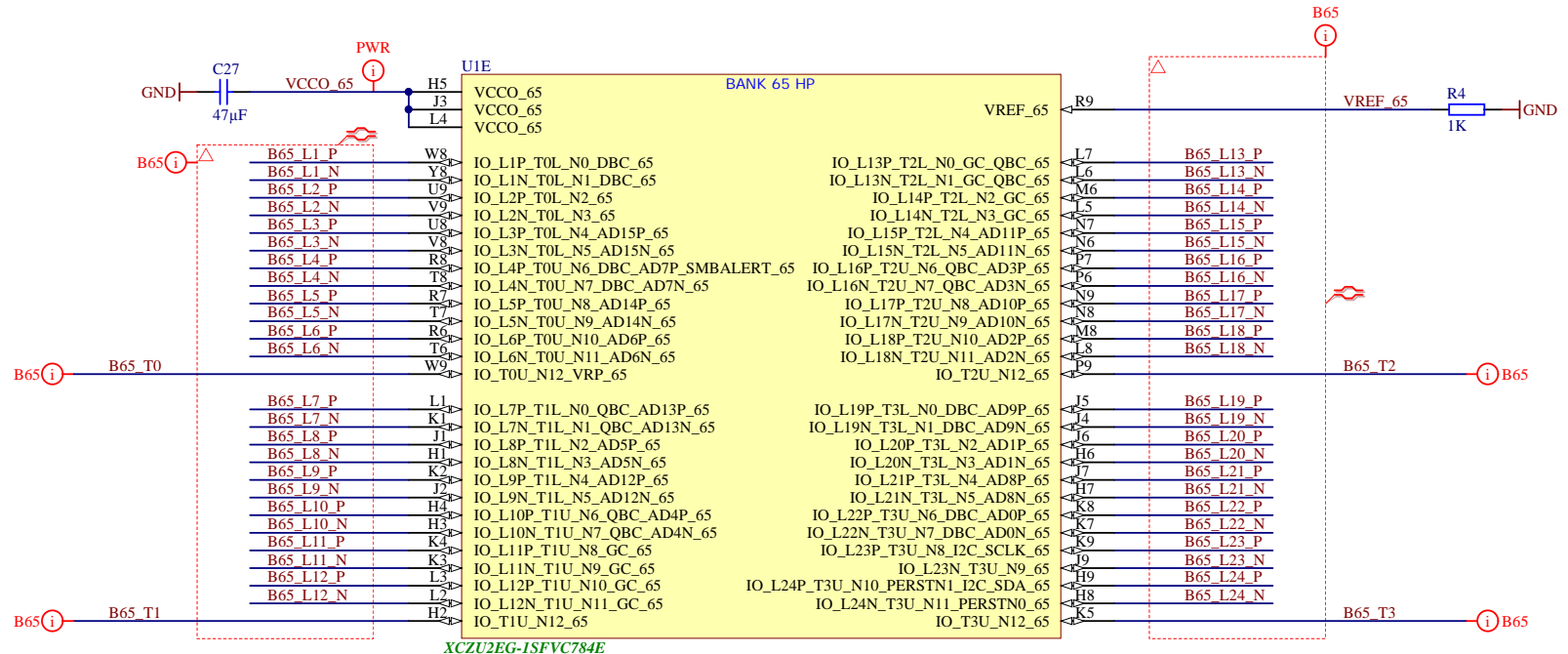
B

C

C

D

D



	Title: TE0803 - B65	
	A4	Number: TE0803 02EG-1EA
	Date: 2018-05-21	Copyright: Trenz Electronic GmbH / TT
	Rev. 02	Page9 of 26
Filename: B65.SchDoc		

1

2

3

4

1

2

3

4

A

A

B

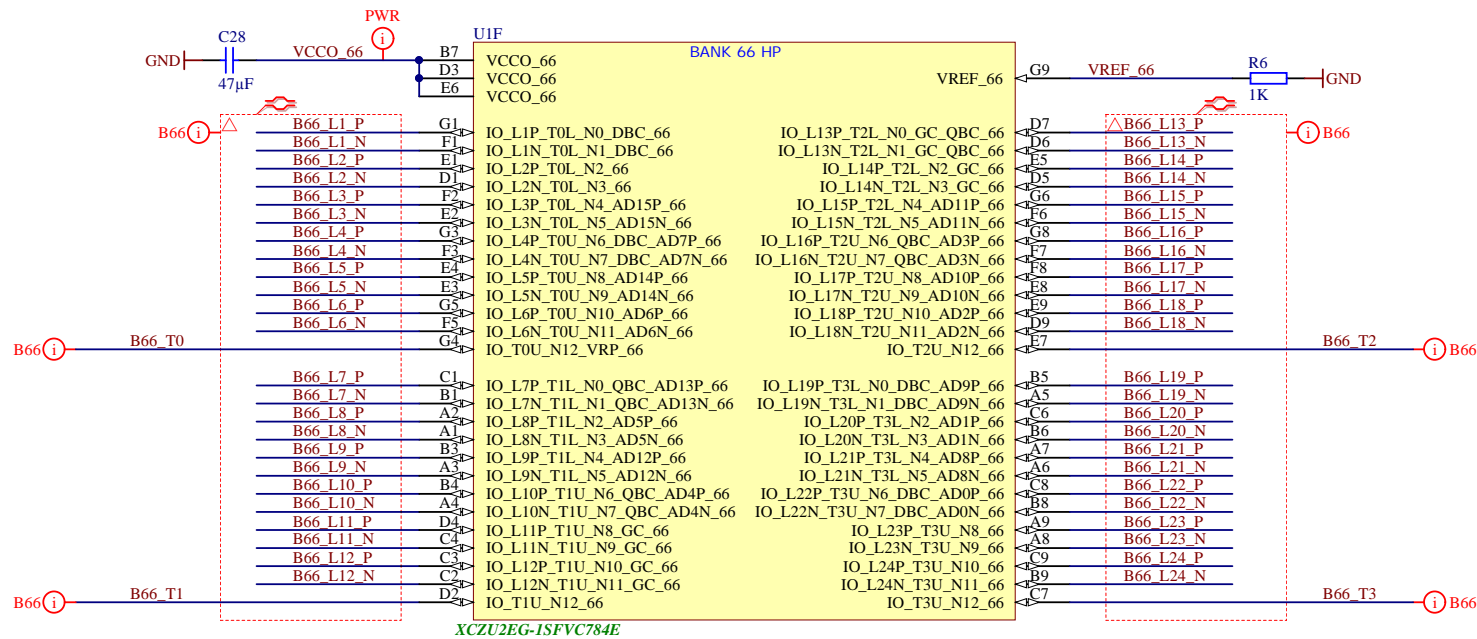
B

C

C

D

D



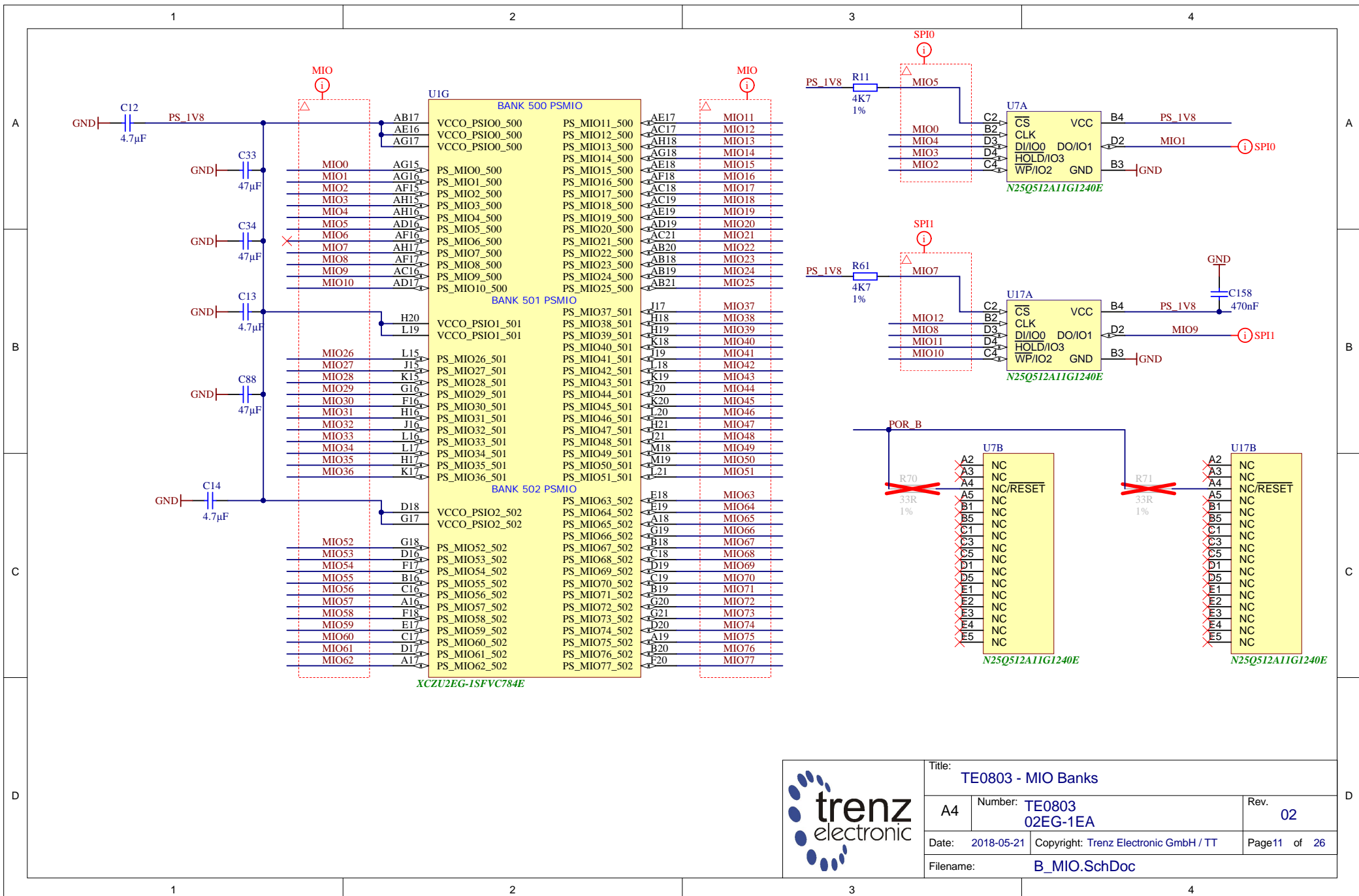
Title: TE0803 - B66		
A4	Number: TE0803 02EG-1EA	Rev. 02
Date: 2018-05-21	Copyright: Trenz Electronic GmbH / TT	Page10 of 26
Filename: B66.SchDoc		

1

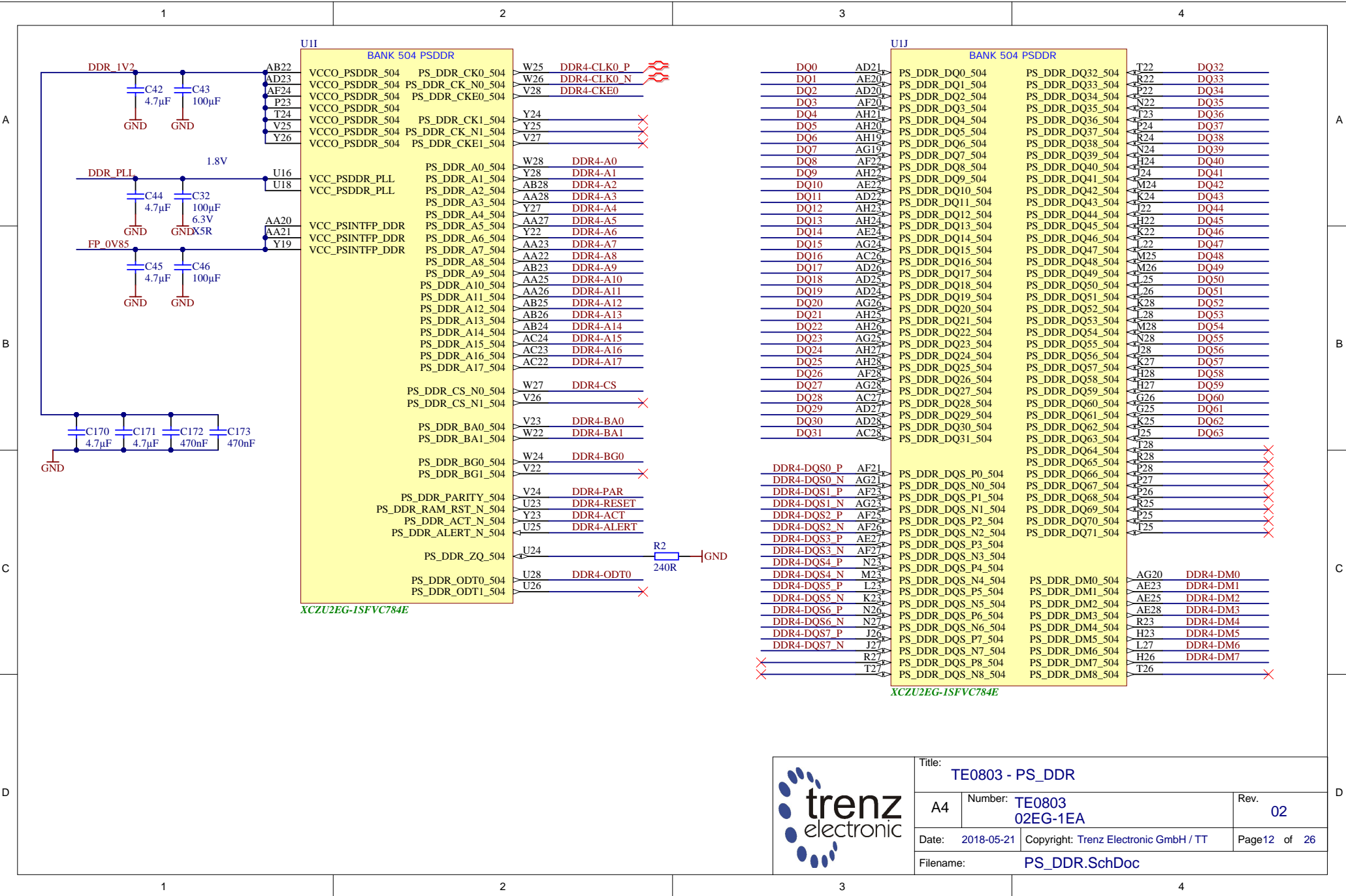
2

3

4



	Title: TE0803 - MIO Banks		
	A4	Number: TE0803 02EG-1EA	Rev. 02
	Date: 2018-05-21	Copyright: Trenz Electronic GmbH / TT	Page 11 of 26
	Filename: B_MIO.SchDoc		



U11

BANK 504 PSDDR

VCCO_PSDDR_504	PS_DDR_CK0_504
VCCO_PSDDR_504	PS_DDR_CK_N_504
VCCO_PSDDR_504	PS_DDR_CKE0_504
VCCO_PSDDR_504	
VCCO_PSDDR_504	PS_DDR_CK1_504
VCCO_PSDDR_504	PS_DDR_CK_N1_504
VCCO_PSDDR_504	PS_DDR_CKE1_504
PS_DDR_A0_504	
PS_DDR_A1_504	
PS_DDR_A2_504	
PS_DDR_A3_504	
PS_DDR_A4_504	
PS_DDR_A5_504	
PS_DDR_A6_504	
PS_DDR_A7_504	
PS_DDR_A8_504	
PS_DDR_A9_504	
PS_DDR_A10_504	
PS_DDR_A11_504	
PS_DDR_A12_504	
PS_DDR_A13_504	
PS_DDR_A14_504	
PS_DDR_A15_504	
PS_DDR_A16_504	
PS_DDR_A17_504	
PS_DDR_CS_N0_504	
PS_DDR_CS_N1_504	
PS_DDR_BA0_504	
PS_DDR_BA1_504	
PS_DDR_BG0_504	
PS_DDR_BG1_504	
PS_DDR_PARITY_504	
PS_DDR_RAM_RST_N_504	
PS_DDR_ACT_N_504	
PS_DDR_ALERT_N_504	
PS_DDR_ZQ_504	
PS_DDR_ODT0_504	
PS_DDR_ODT1_504	

XCZU2EG-1SFVC784E

W25	DDR4-CLK0_P
W26	DDR4-CLK0_N
V28	DDR4-CKE0
Y24	
Y25	
V27	
W28	DDR4-A0
Y28	DDR4-A1
AB28	DDR4-A2
AA28	DDR4-A3
Y27	DDR4-A4
AA27	DDR4-A5
Y22	DDR4-A6
AA23	DDR4-A7
AA22	DDR4-A8
AB23	DDR4-A9
AA25	DDR4-A10
AA26	DDR4-A11
AB25	DDR4-A12
AB26	DDR4-A13
AB24	DDR4-A14
AC24	DDR4-A15
AC23	DDR4-A16
AC22	DDR4-A17
W27	DDR4-CS
V26	
V23	DDR4-BA0
W22	DDR4-BA1
W24	DDR4-BG0
V22	
V24	DDR4-PAR
U23	DDR4-RESET
Y23	DDR4-ACT
U25	DDR4-ALERT
U24	
U28	DDR4-ODT0
U26	

DQ0	AD21
DQ1	AE20
DQ2	AD20
DQ3	AF20
DQ4	AH21
DQ5	AH20
DQ6	AH19
DQ7	AG19
DQ8	AF22
DQ9	AH22
DQ10	AE22
DQ11	AD22
DQ12	AH23
DQ13	AH24
DQ14	AE24
DQ15	AG24
DQ16	AC26
DQ17	AH26
DQ18	AD25
DQ19	AD24
DQ20	AG26
DQ21	AH25
DQ22	AH26
DQ23	AG25
DQ24	AH27
DQ25	AH28
DQ26	AF28
DQ27	AG28
DQ28	AC27
DQ29	AD27
DQ30	AD28
DQ31	AC28
DDR4-DQS0_P	AF21
DDR4-DQS0_N	AG21
DDR4-DQS1_P	AF23
DDR4-DQS1_N	AG23
DDR4-DQS2_P	AF25
DDR4-DQS2_N	AF26
DDR4-DQS3_P	AE27
DDR4-DQS3_N	AF27
DDR4-DQS4_P	N23
DDR4-DQS4_N	M23
DDR4-DQS5_P	L23
DDR4-DQS5_N	K23
DDR4-DQS6_P	N26
DDR4-DQS6_N	N27
DDR4-DQS7_P	J26
DDR4-DQS7_N	J27
	R27
	T27

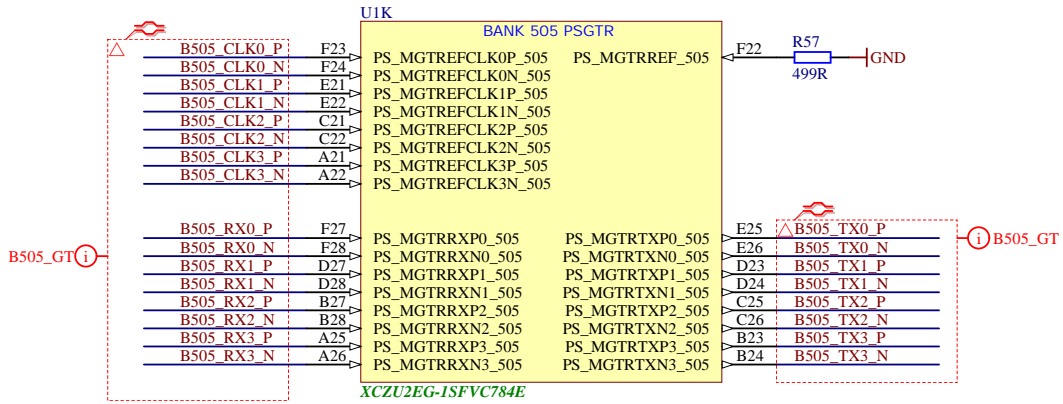
U1J


BANK 504 PSDDR

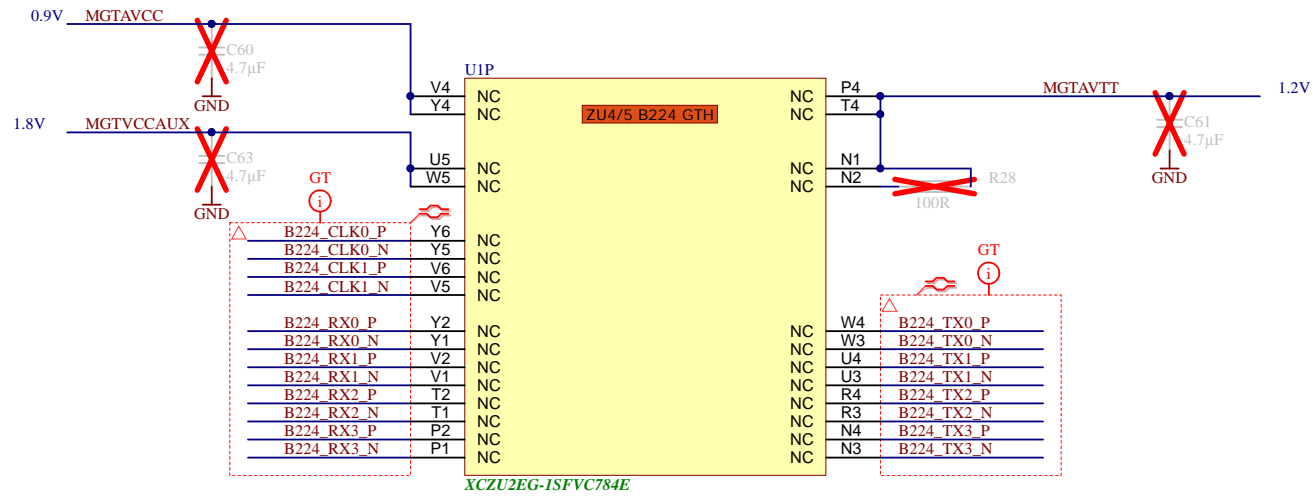
PS_DDR_DQ0_504	PS_DDR_DQ32_504
PS_DDR_DQ1_504	PS_DDR_DQ33_504
PS_DDR_DQ2_504	PS_DDR_DQ34_504
PS_DDR_DQ3_504	PS_DDR_DQ35_504
PS_DDR_DQ4_504	PS_DDR_DQ36_504
PS_DDR_DQ5_504	PS_DDR_DQ37_504
PS_DDR_DQ6_504	PS_DDR_DQ38_504
PS_DDR_DQ7_504	PS_DDR_DQ39_504
PS_DDR_DQ8_504	PS_DDR_DQ40_504
PS_DDR_DQ9_504	PS_DDR_DQ41_504
PS_DDR_DQ10_504	PS_DDR_DQ42_504
PS_DDR_DQ11_504	PS_DDR_DQ43_504
PS_DDR_DQ12_504	PS_DDR_DQ44_504
PS_DDR_DQ13_504	PS_DDR_DQ45_504
PS_DDR_DQ14_504	PS_DDR_DQ46_504
PS_DDR_DQ15_504	PS_DDR_DQ47_504
PS_DDR_DQ16_504	PS_DDR_DQ48_504
PS_DDR_DQ17_504	PS_DDR_DQ49_504
PS_DDR_DQ18_504	PS_DDR_DQ50_504
PS_DDR_DQ19_504	PS_DDR_DQ51_504
PS_DDR_DQ20_504	PS_DDR_DQ52_504
PS_DDR_DQ21_504	PS_DDR_DQ53_504
PS_DDR_DQ22_504	PS_DDR_DQ54_504
PS_DDR_DQ23_504	PS_DDR_DQ55_504
PS_DDR_DQ24_504	PS_DDR_DQ56_504
PS_DDR_DQ25_504	PS_DDR_DQ57_504
PS_DDR_DQ26_504	PS_DDR_DQ58_504
PS_DDR_DQ27_504	PS_DDR_DQ59_504
PS_DDR_DQ28_504	PS_DDR_DQ60_504
PS_DDR_DQ29_504	PS_DDR_DQ61_504
PS_DDR_DQ30_504	PS_DDR_DQ62_504
PS_DDR_DQ31_504	PS_DDR_DQ63_504
PS_DDR_DQ64_504	
PS_DDR_DQ65_504	
PS_DDR_DQ66_504	
PS_DDR_DQ67_504	
PS_DDR_DQ68_504	
PS_DDR_DQ69_504	
PS_DDR_DQ70_504	
PS_DDR_DQ71_504	
PS_DDR_DQ8_504	PS_DDR_DM0_504
PS_DDR_DM1_504	PS_DDR_DM1_504
PS_DDR_DM2_504	PS_DDR_DM2_504
PS_DDR_DM3_504	PS_DDR_DM3_504
PS_DDR_DM4_504	PS_DDR_DM4_504
PS_DDR_DM5_504	PS_DDR_DM5_504
PS_DDR_DM6_504	PS_DDR_DM6_504
PS_DDR_DM7_504	PS_DDR_DM7_504
PS_DDR_DM8_504	PS_DDR_DM8_504

XCZU2EG-1SFVC784E

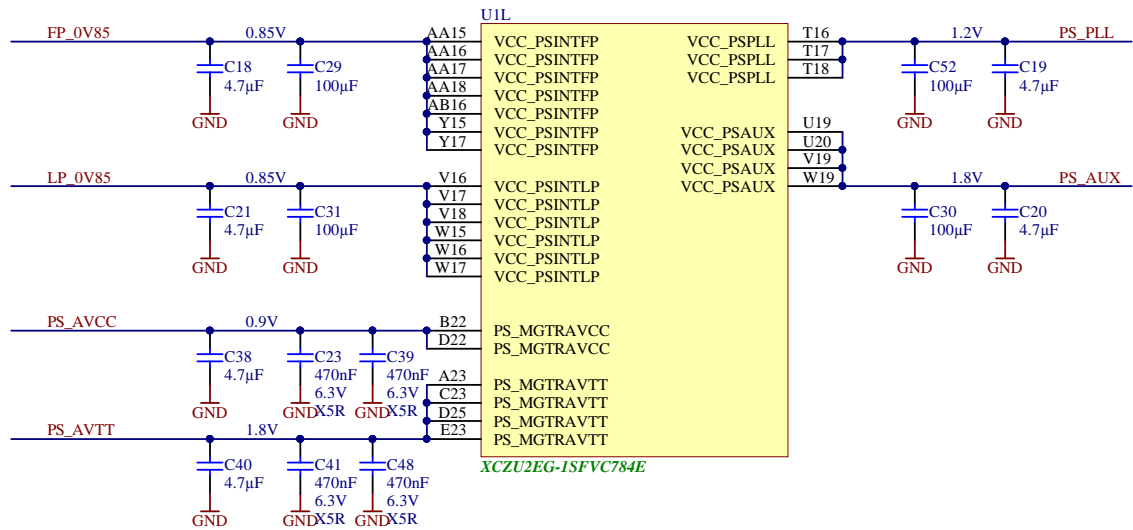
	Title: TE0803 - PS_DDR	
	A4	Number: TE0803 02EG-1EA
	Date: 2018-05-21	Copyright: Trenz Electronic GmbH / TT
	Filename: PS_DDR.SchDoc	Rev. 02



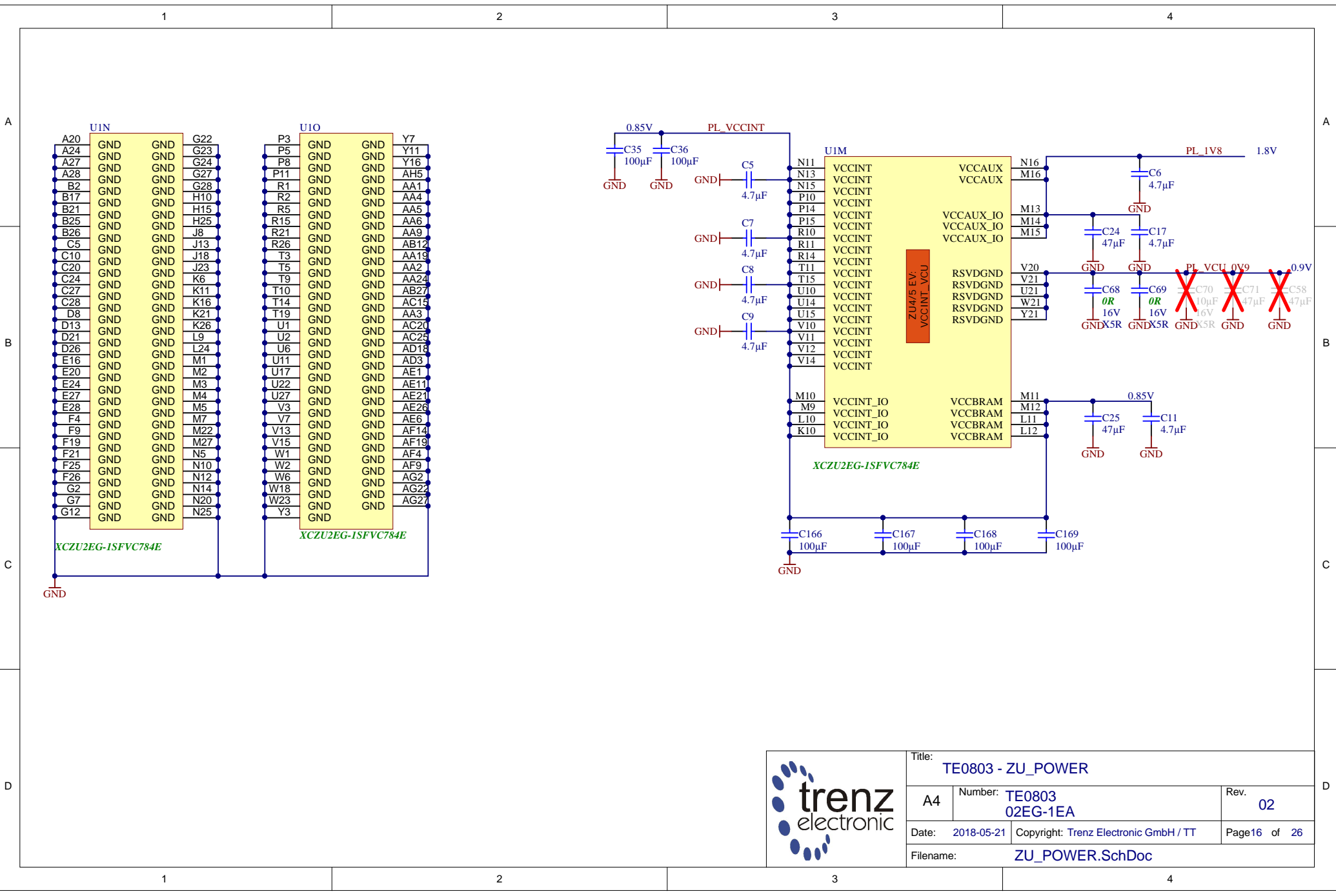
	Title: TE0803 - PS_GT		
	A4	Number: TE0803 02EG-1EA	Rev. 02
	Date: 2018-05-21	Copyright: Trenz Electronic GmbH / TT	Page13 of 26
	Filename: B_PS_GT.SchDoc		



Title: TE0803 - B224GTH		
A4	Number: TE0803 02EG-1EA	Rev. 02
Date: 2018-05-21	Copyright: Trenz Electronic GmbH / TT	Page 14 of 26
Filename: B_GT.SchDoc		



Title: TE0803 - ZU_PS_POWER		
A4	Number: TE0803 02EG-1EA	Rev. 02
Date: 2018-05-21	Copyright: Trenz Electronic GmbH / TT	Page 15 of 26
Filename: ZU_PS_POWER.SchDoc		



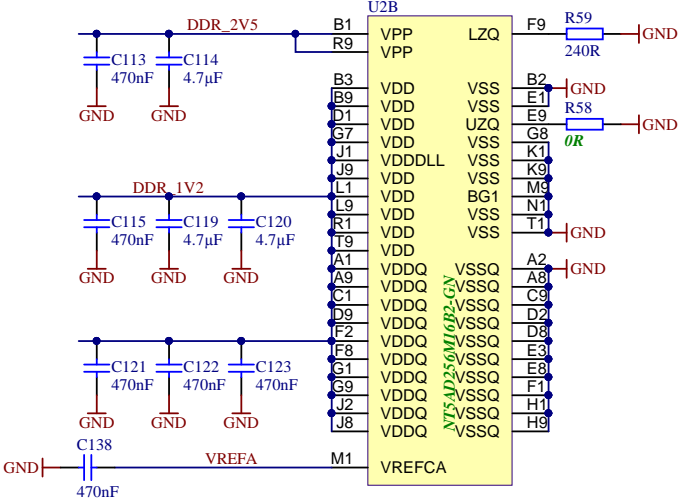
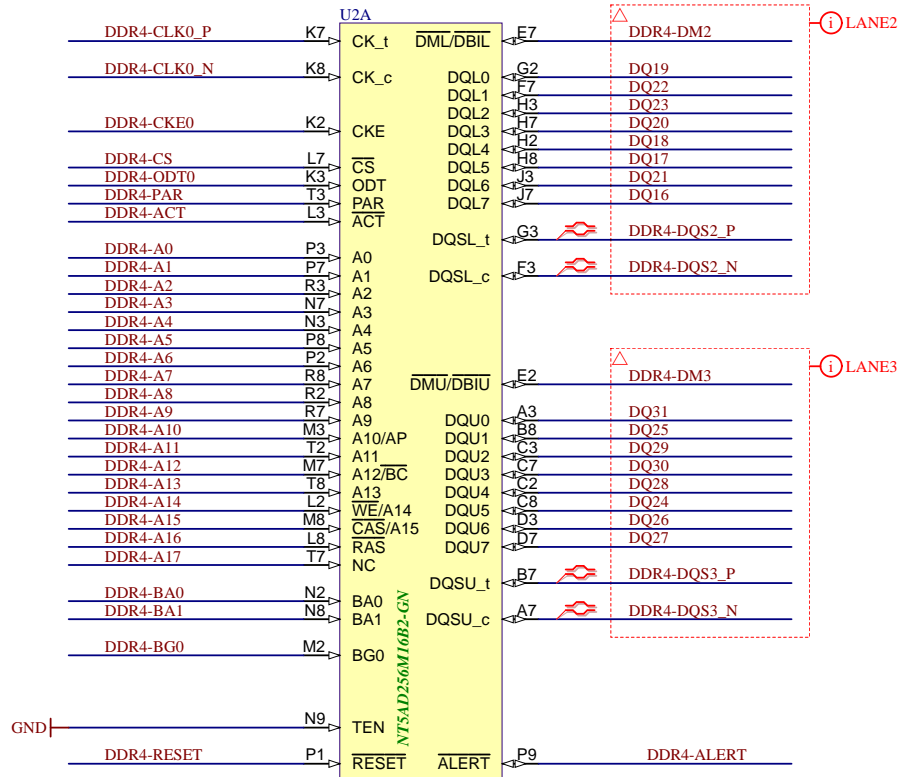
	Title: TE0803 - ZU_POWER	
	A4	Number: TE0803 02EG-1EA
	Date: 2018-05-21	Copyright: Trenz Electronic GmbH / TT
	Filename: ZU_POWER.SchDoc	Page 16 of 26

1

2

3

4



Title: TE0803 - DDR4_1_RAM		
A4	Number: TE0803 02EG-1EA	Rev. 02
Date: 2018-05-21	Copyright: Trenz Electronic GmbH / TT	Page 17 of 26
Filename: DDR4-RAM.SchDoc		

1

2

3

4

A

A

B

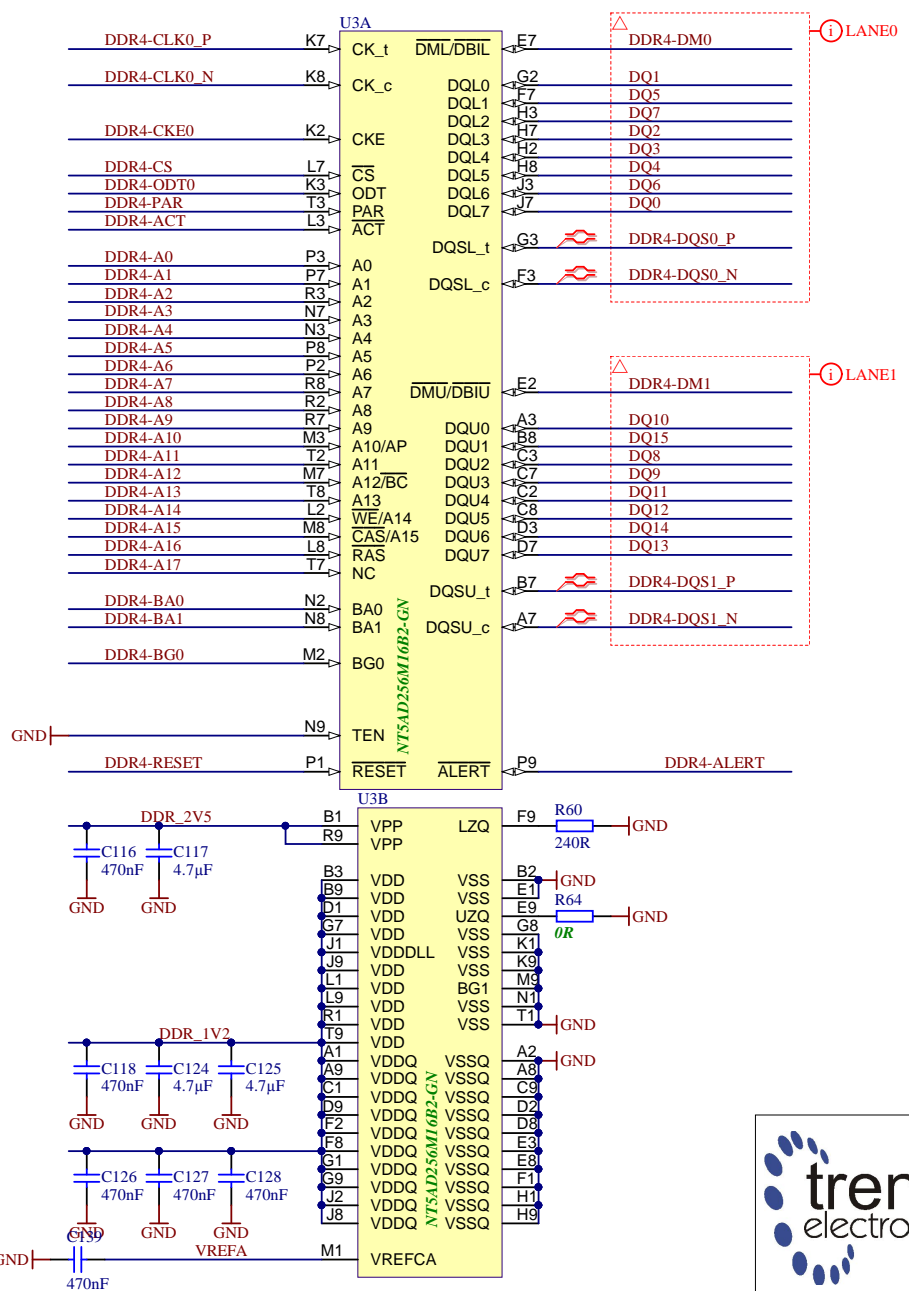

B

C

C

D

D

Title: TE0803 - DDR4_2_RAM		
A4	Number: TE0803 02EG-1EA	Rev. 02
Date: 2018-05-21	Copyright: Trenz Electronic GmbH / TT	Page 18 of 26
Filename: DDR4-RAM_2.SchDoc		

1

2

3

4

1

2

3

4

A

A

B

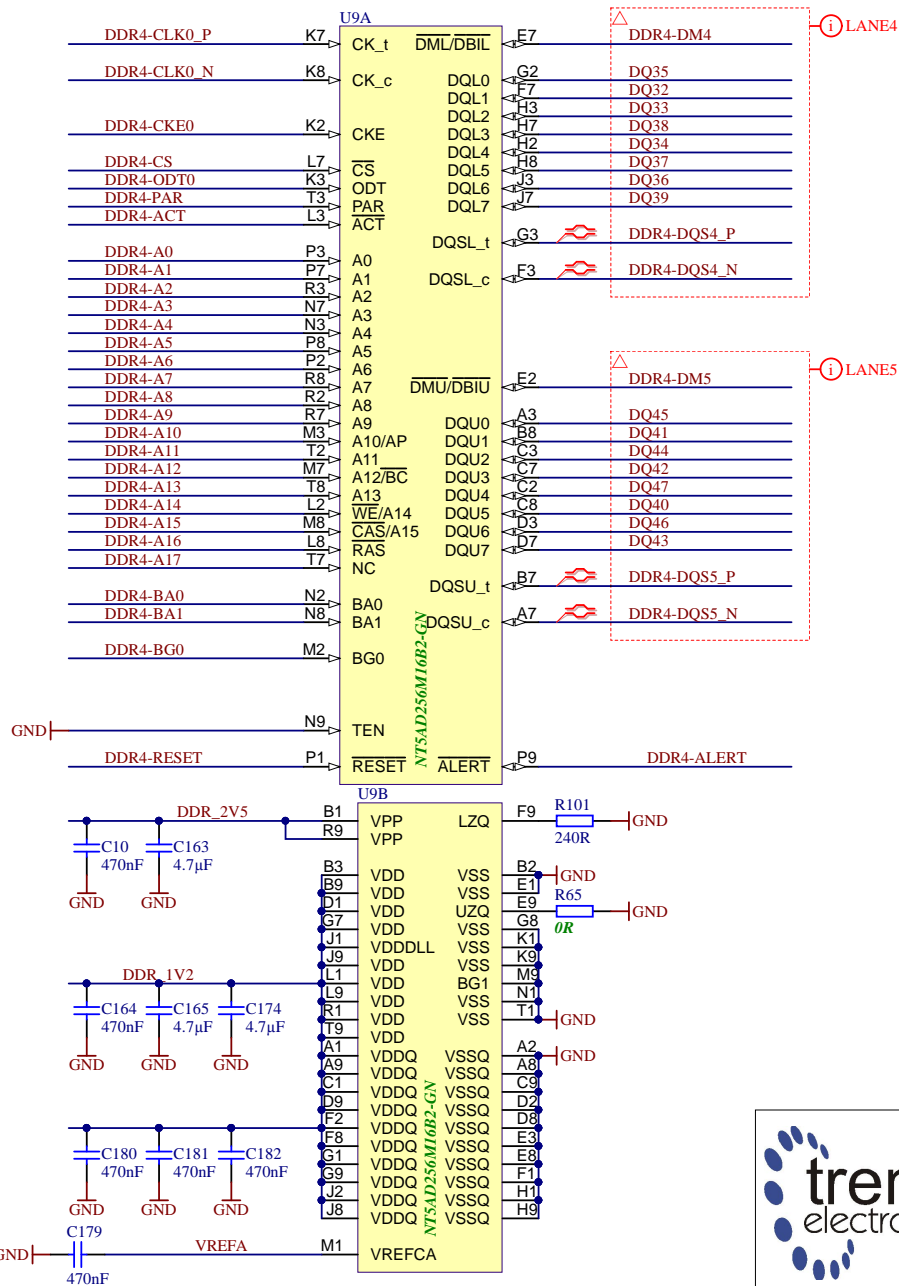
B

C

C

D

D



Title: TE0803 - DDR4_3_RAM		
A4	Number: TE0803 02EG-1EA	Rev. 02
Date: 2018-05-21	Copyright: Trenz Electronic GmbH / TT	Page 19 of 26
Filename: DDR4-RAM_3.SchDoc		

1

2

3

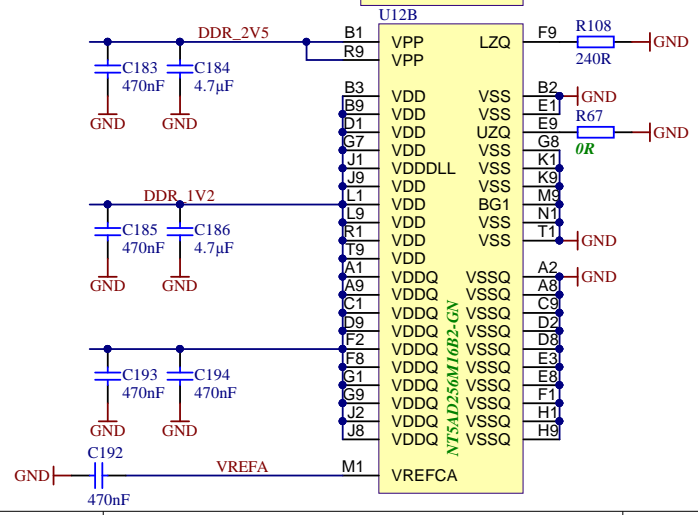
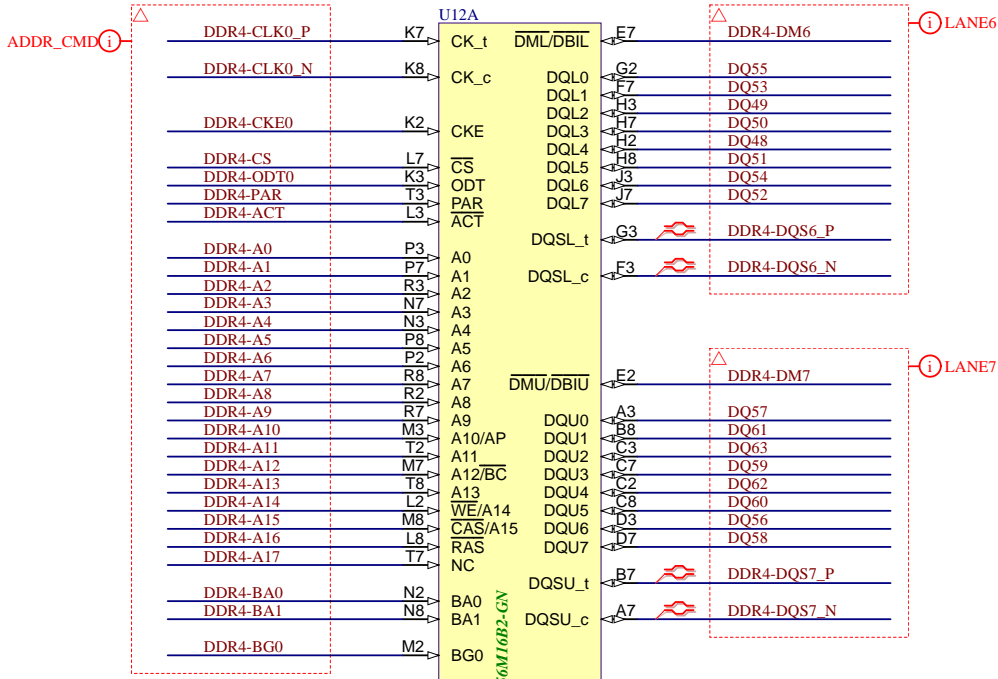
4

1

2

3

4



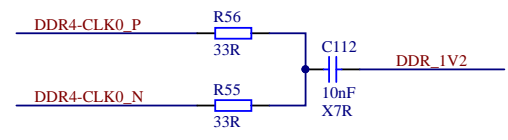
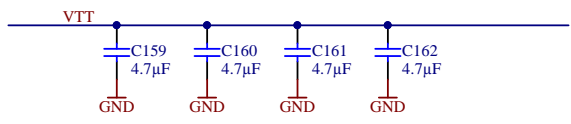
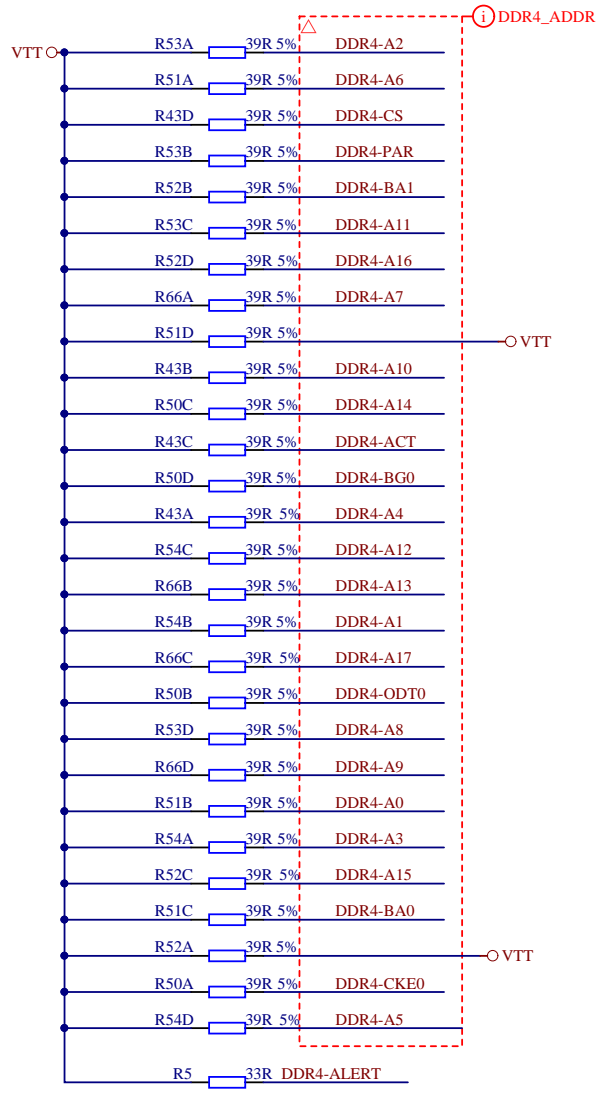
Title: TE0803 - DDR4_4_RAM		
A4	Number: TE0803 02EG-1EA	Rev. 02
Date: 2018-05-21	Copyright: Trenz Electronic GmbH / TT	Page20 of 26
Filename: DDR4-RAM_4.SchDoc		

1

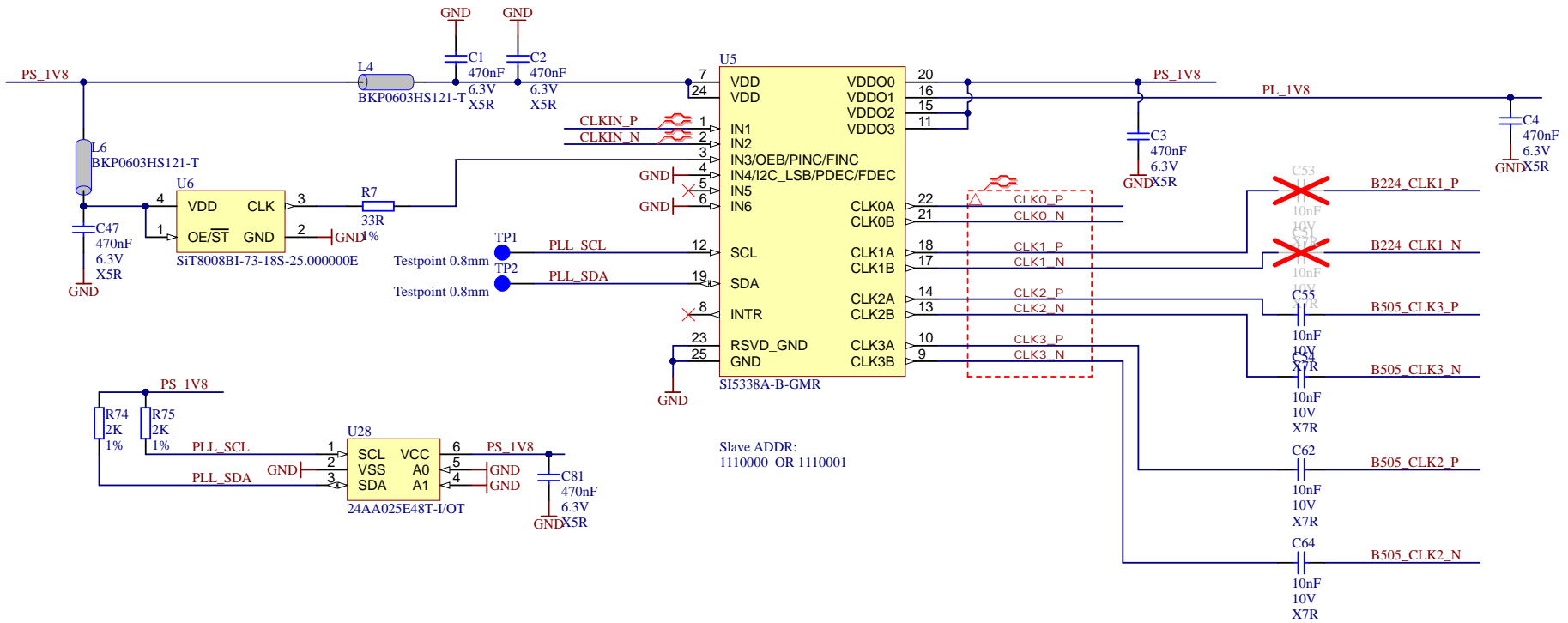
2

3

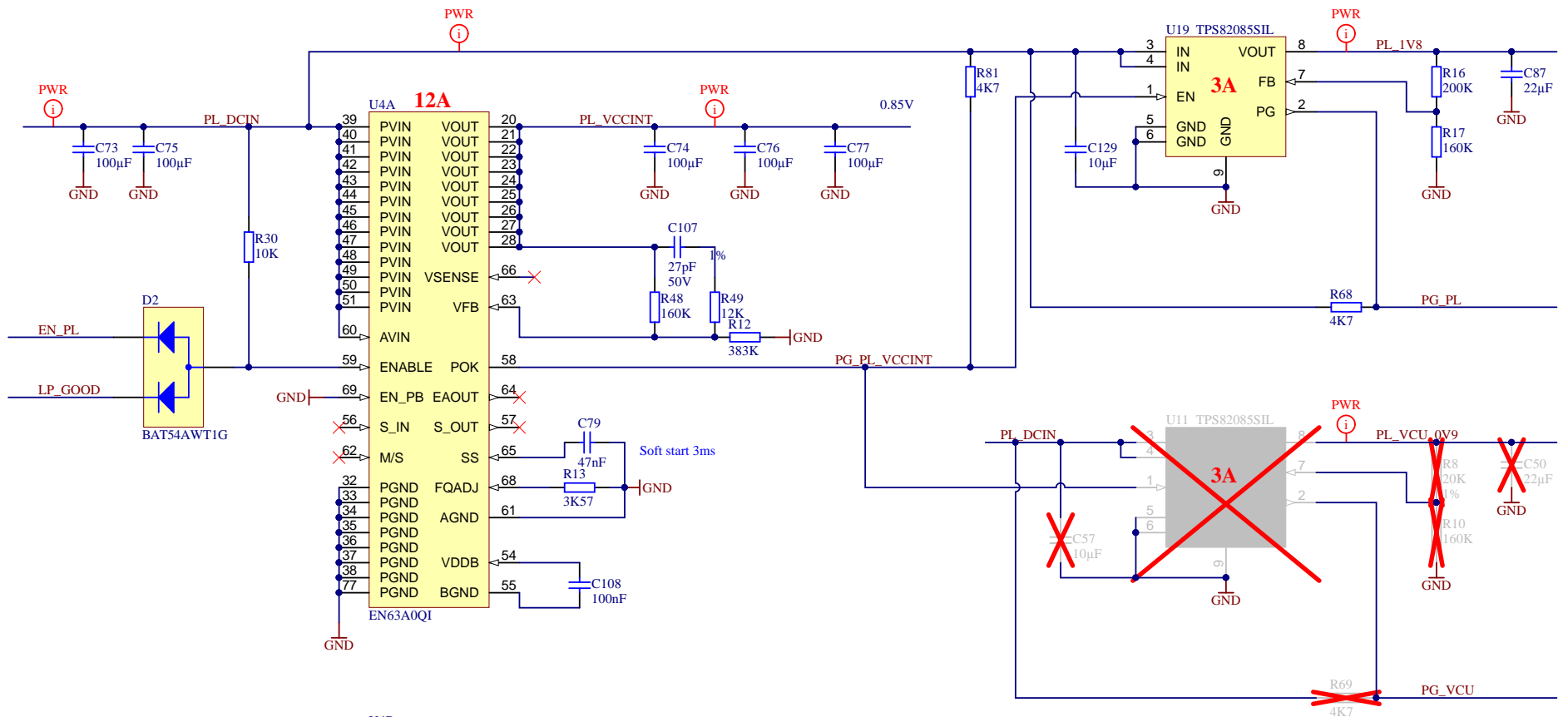
4



Title: TE0803 - DDR4_TERM		
A4	Number: TE0803 02EG-1EA	Rev. 02
Date: 2018-05-21	Copyright: Trenz Electronic GmbH / TT	Page21 of 26
Filename: DDR4-TERM.SchDoc		



Title: TE0803 - CLOCK		
A4	Number: TE0803 02EG-1EA	Rev. 02
Date: 2018-05-21	Copyright: Trenz Electronic GmbH / TT	Page22 of 26
Filename: Clock.SchDoc		



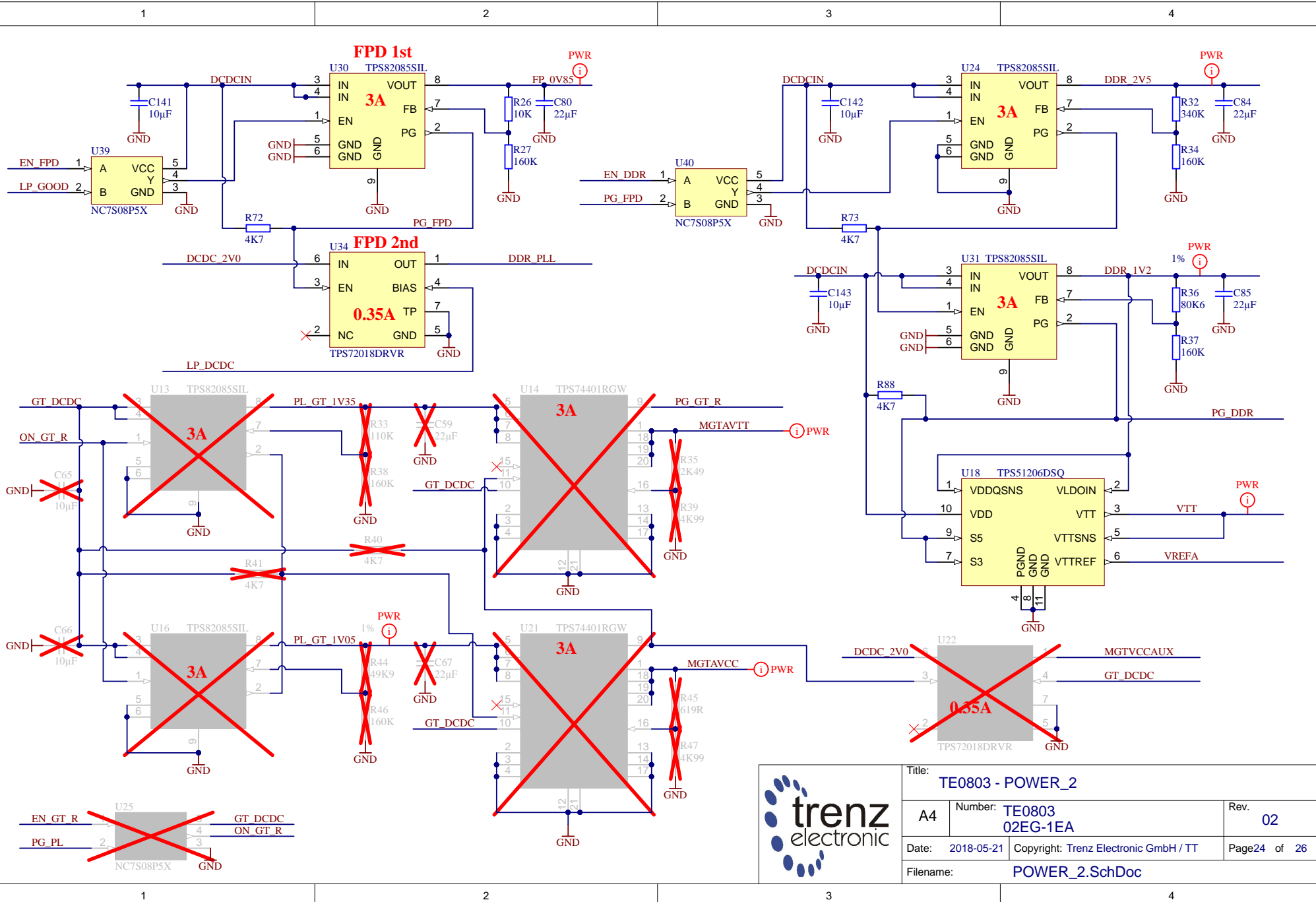
U4B

1	NC	NC	17
2	NC	NC	18
3	NC	NC	19
4	NC	NC	29
5	NC	NC	30
6	NC	NC(SW)	31
7	NC	NC(SW)	52
8	NC	NC	53
9	NC	NC	67
10	NC	NC(SW)	70
11	NC	NC(SW)	71
12	NC	NC(SW)	72
13	NC	NC	73
14	NC	NC	74
15	NC	NC	75
16	NC	NC	76

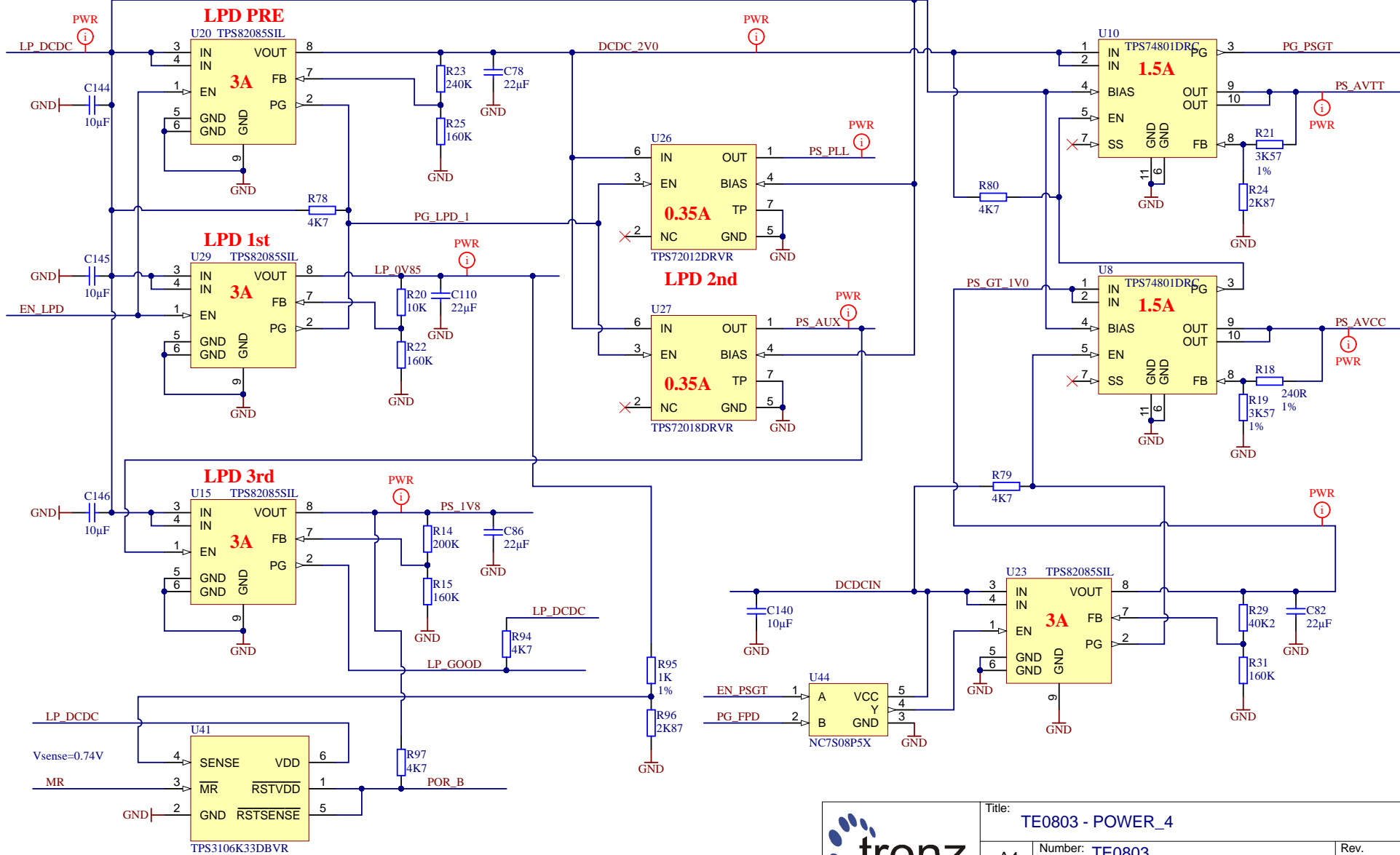
EN63A0QI



Title: TE0803 - POWER		
A4	Number: TE0803 02EG-1EA	Rev. 02
Date: 2018-05-21	Copyright: Trenz Electronic GmbH / TT	Page23 of 26
Filename: POWER.SchDoc		



Title: TE0803 - POWER_2		
A4	Number: TE0803 02EG-1EA	Rev. 02
Date: 2018-05-21	Copyright: Trenz Electronic GmbH / TT	Page 24 of 26
Filename: POWER_2.SchDoc		



Title: TE0803 - POWER_4		
A4	Number: TE0803 02EG-1EA	Rev. 02
Date: 2018-05-21	Copyright: Trenz Electronic GmbH / TT	Page25 of 26
Filename: POWER_4.SchDoc		

1

2

3

4

CHANGES REV01a (20.11.2017):

1) VCU voltage set to 0.9V, R20 changed to 40K , PL_VCU_1V0 renamed to PL_VCU_0V9.

CHANGES REV02 (20.06.2018):

- 1) Added LDO to DDR_PLL
- 2) All differential pairs wath length matched with tollerance 0.1mm (excluding package delays)
- 3) Added MAC EEPROM U28
- 4) VPS_MGTRAVCC set to 0.85V
- 5) Added pull-up resistors R68,R69

A

A

B

B

C

C

D

D



Title: TE0803 - Changes list		
A4	Number: TE0803 02EG-1EA	Rev. 02
Date: 2018-05-21	Copyright: Trenz Electronic GmbH	Page26 of 26
Filename: Revision_Changes.SchDoc		

1

2

3

4