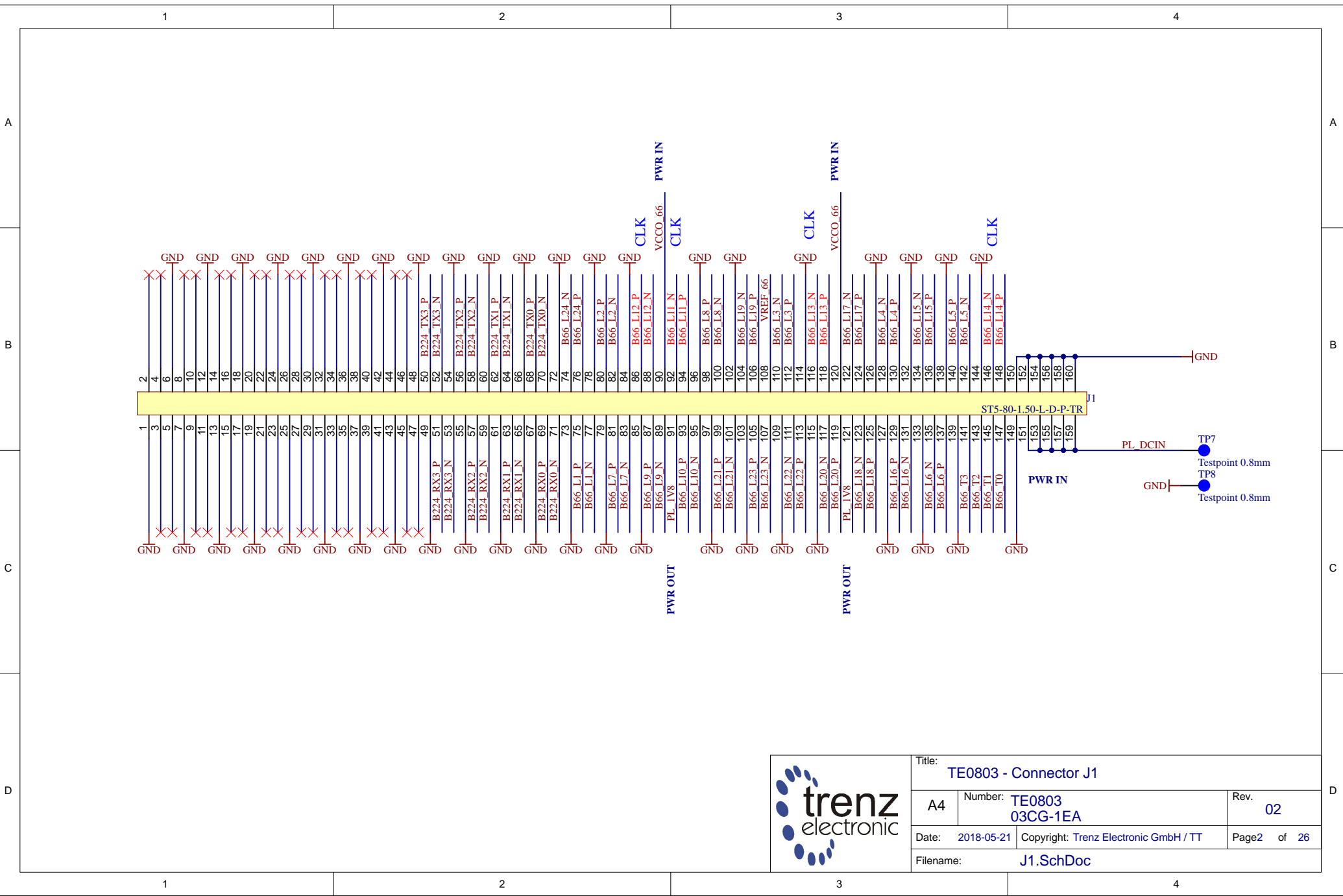



<p>U_J1 J1.SchDoc</p> <p>U_J2 J2.SchDoc</p> <p>U_J3 J3.SchDoc</p> <p>U_J4 J4.SchDoc</p> <p>U_DDR4-TERM DDR4-TERM.SchDoc</p> <p>U_B64 B64.SchDoc</p> <p>U_B65 B65.SchDoc</p> <p>U_B66 B66.SchDoc</p> <p>U_B_GT B_GT.SchDoc</p>	<p>U_B_PS_GT B_PS_GT.SchDoc</p> <p>U_PS_DDR PS_DDR.SchDoc</p> <p>U_B_MIO B_MIO.SchDoc</p> <p>U_B_HD B_HD.SchDoc</p> <p>U_Clock Clock.SchDoc</p> <p>U_CONFIG CONFIG.SchDoc</p> <p>U_DDR4-RAM DDR4-RAM.SchDoc</p> <p>U_DDR4-RAM_2 DDR4-RAM_2.SchDoc</p> <p>U_DDR4-RAM_3 DDR4-RAM_3.SchDoc</p> <p>U_DDR4-RAM_4 DDR4-RAM_4.SchDoc</p>	<p>U_DDR4-TERM DDR4-TERM.SchDoc</p> <p>U_ZU_POWER ZU_POWER.SchDoc</p> <p>U_ZU_PS_POWER ZU_PS_POWER.SchDoc</p> <p>U_POWER POWER.SchDoc</p> <p>U_POWER_2 POWER_2.SchDoc</p> <p>U_POWER_4 POWER_4.SchDoc</p> <p>U_REV_CH Revision_Changes.SchDoc</p>	
<p>PM1</p> <p>FIDU-DOT - mini PM3</p> <p>FIDU-DOT - mini PM5</p>	<p>PM2</p> <p>FIDU-DOT - mini PM4</p> <p>FIDU-DOT - mini PM6</p>	<p>LOGO1</p> <p>TE Logo PRINT Layer</p> <p>LOGO PRINT</p> <p>Serial Serial Serialnumber 6,3 x 6.3mm</p> <p>S/N OR Serialnumber</p>	<p>Mount.Hole 3.2mm für Unterlegscheibe</p> <p>Mount.Hole 3.2mm für Unterlegscheibe</p> <p>Mount.Hole 3.2mm für Unterlegscheibe</p> <p>Mount.Hole 3.2mm für Unterlegscheibe</p> <p>Mount.Hole 3.2mm für Unterlegscheibe</p> <p>Mount.Hole 3.2mm für Unterlegscheibe</p>
<p>1</p>	<p>2</p>	<p>3</p>	<p>4</p>



Title: TE0803		
A4	Number: TE0803 03CG-1EA	Rev. 02
Date: 2018-05-21	Copyright: Trenz Electronic GmbH / TT	Page1 of 26
Filename: TE0803.SchDoc		



	Title: TE0803 - Connector J1	
	A4	Number: TE0803 03CG-1EA
	Date: 2018-05-21	Copyright: Trenz Electronic GmbH / TT
	Filename: J1.SchDoc	
	Rev. 02	Page2 of 26

1

2

3

4

A

A

B

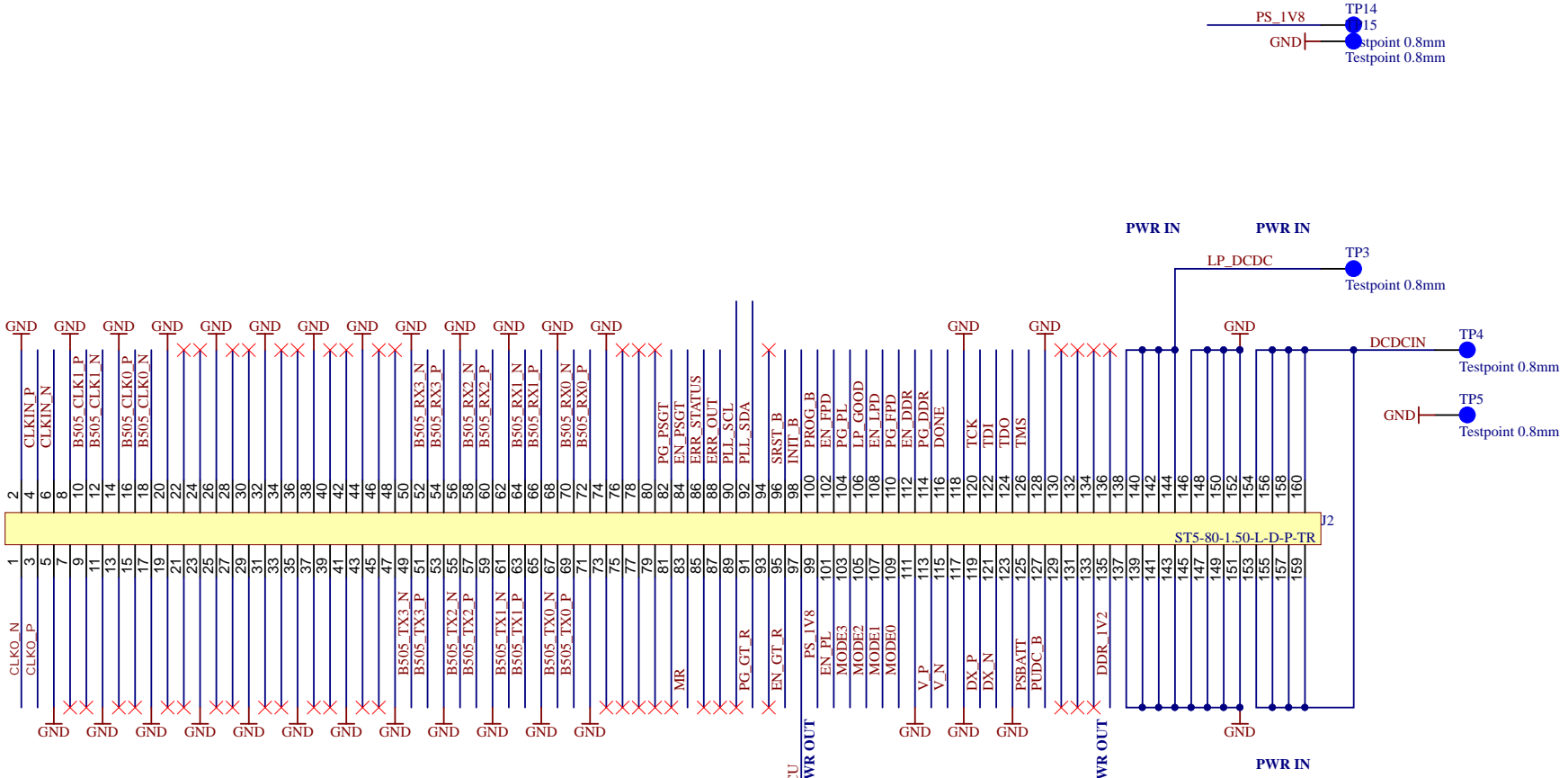

B

C

C

D

D

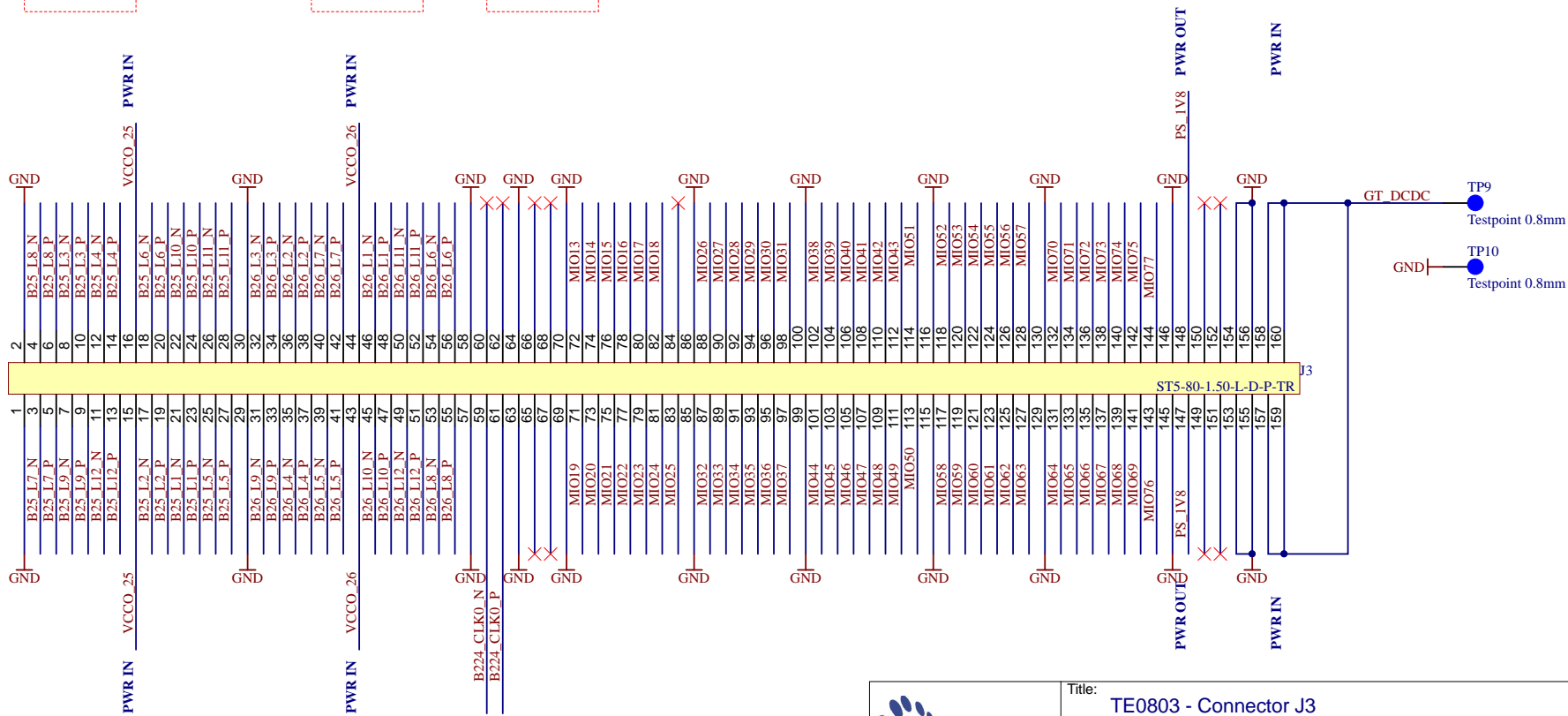
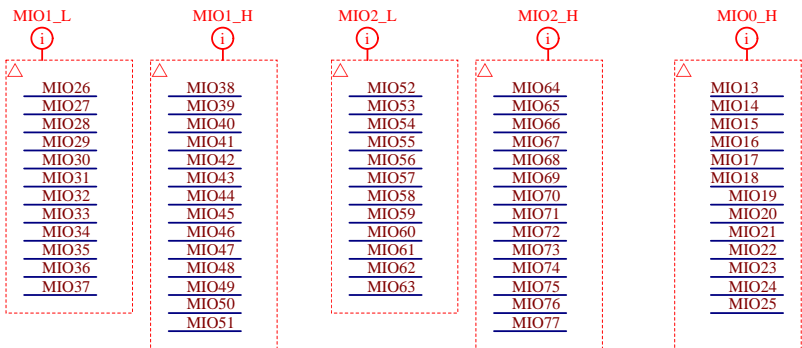
Title: TE0803 - Connector J2		
A4	Number: TE0803 03CG-1EA	Rev. 02
Date: 2018-05-21	Copyright: Trenz Electronic GmbH / TT	Page3 of 26
Filename: J2.SchDoc		

1

2

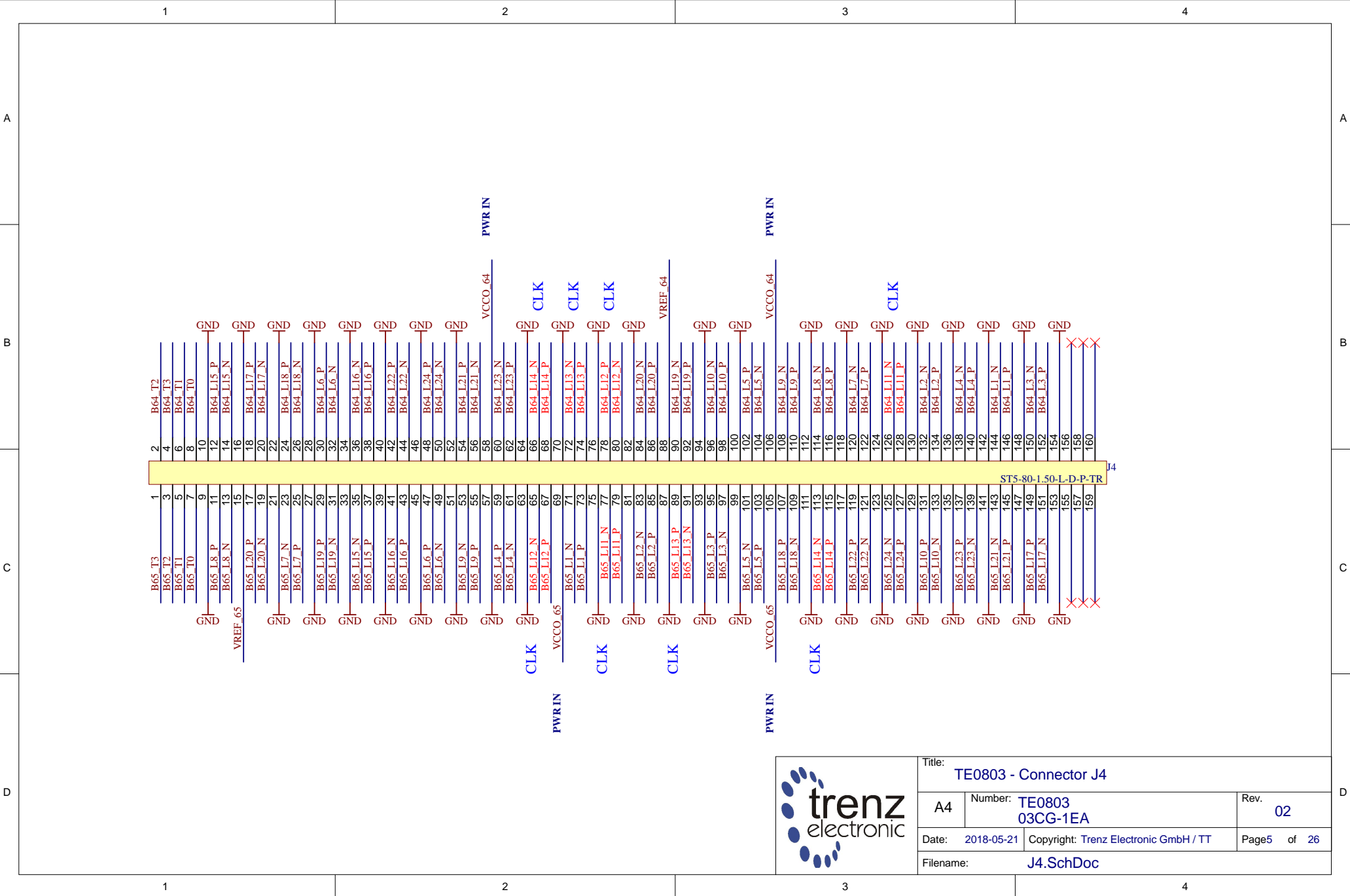
3

4

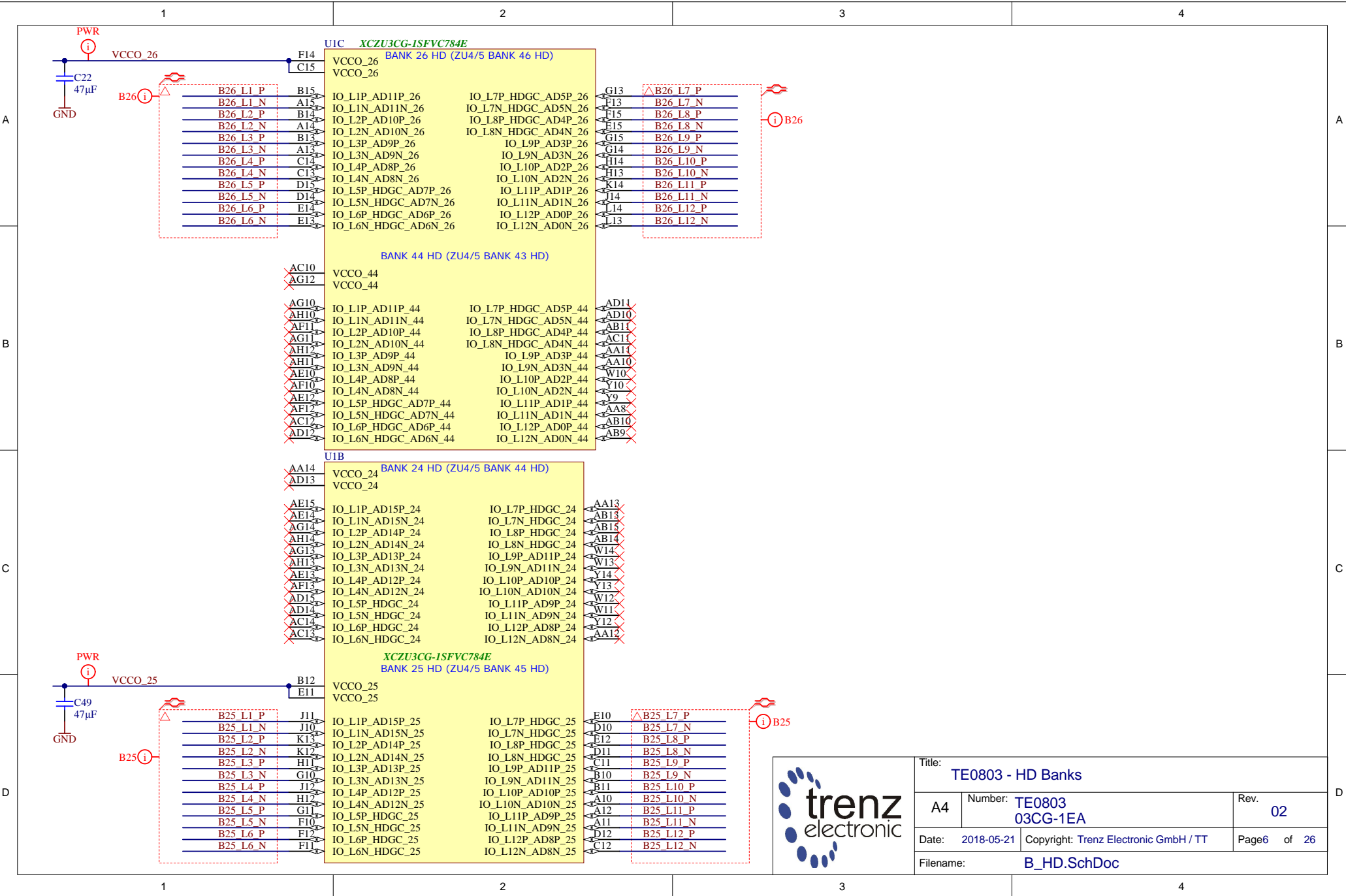


trenz electronic

Title: TE0803 - Connector J3		
A4	Number: TE0803 03CG-1EA	Rev. 02
Date: 2018-05-21	Copyright: Trenz Electronic GmbH / TT	Page4 of 26
Filename: J3.SchDoc		



Title: TE0803 - Connector J4		
A4	Number: TE0803 03CG-1EA	Rev. 02
Date: 2018-05-21	Copyright: Trenz Electronic GmbH / TT	Page5 of 26
Filename: J4.SchDoc		



UIC XCZU3CG-1SFVC784E
BANK 26 HD (ZU4/5 BANK 46 HD)

BANK 44 HD (ZU4/5 BANK 43 HD)

UIB
BANK 24 HD (ZU4/5 BANK 44 HD)

XCZU3CG-1SFVC784E
BANK 25 HD (ZU4/5 BANK 45 HD)

VCCO_26	F14	IO_L1P_AD11P_26	IO_L7P_HDGC_AD5P_26	G13	B26 L7 P
VCCO_26	C15	IO_L1N_AD11N_26	IO_L7N_HDGC_AD5N_26	F13	B26 L7 N
		IO_L2P_AD10P_26	IO_L8P_HDGC_AD4P_26	F15	B26 L8 P
		IO_L2N_AD10N_26	IO_L8N_HDGC_AD4N_26	F15	B26 L8 N
		IO_L3P_AD9P_26	IO_L9P_AD3P_26	G15	B26 L9 P
		IO_L3N_AD9N_26	IO_L9N_AD3N_26	G14	B26 L9 N
		IO_L4P_AD8P_26	IO_L10P_AD2P_26	H14	B26 L10 P
		IO_L4N_AD8N_26	IO_L10N_AD2N_26	H13	B26 L10 N
		IO_L5P_HDGC_AD7P_26	IO_L11P_AD1P_26	K14	B26 L11 P
		IO_L5N_HDGC_AD7N_26	IO_L11N_AD1N_26	J14	B26 L11 N
		IO_L6P_HDGC_AD6P_26	IO_L12P_AD0P_26	L14	B26 L12 P
		IO_L6N_HDGC_AD6N_26	IO_L12N_AD0N_26	L13	B26 L12 N

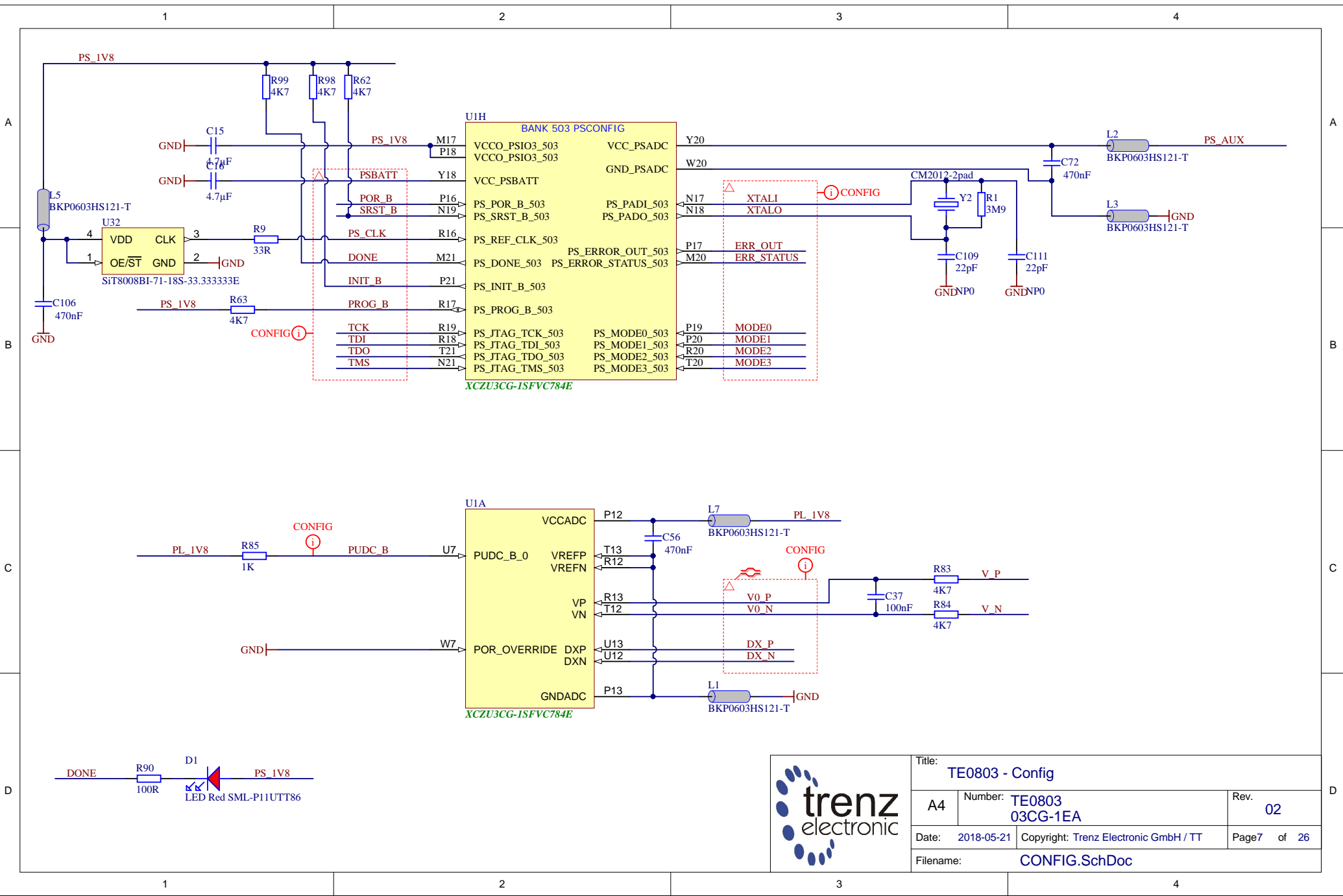
VCCO_44	AC10	IO_L1P_AD11P_44	IO_L7P_HDGC_AD5P_44	AD11	
VCCO_44	AG12	IO_L1N_AD11N_44	IO_L7N_HDGC_AD5N_44	AD10	
		IO_L2P_AD10P_44	IO_L8P_HDGC_AD4P_44	AB11	
		IO_L2N_AD10N_44	IO_L8N_HDGC_AD4N_44	AC11	
		IO_L3P_AD9P_44	IO_L9P_AD3P_44	AA11	
		IO_L3N_AD9N_44	IO_L9N_AD3N_44	AA10	
		IO_L4P_AD8P_44	IO_L10P_AD2P_44	W10	
		IO_L4N_AD8N_44	IO_L10N_AD2N_44	Y10	
		IO_L5P_HDGC_AD7P_44	IO_L11P_AD1P_44	Y9	
		IO_L5N_HDGC_AD7N_44	IO_L11N_AD1N_44	AA8	
		IO_L6P_HDGC_AD6P_44	IO_L12P_AD0P_44	AB10	
		IO_L6N_HDGC_AD6N_44	IO_L12N_AD0N_44	AB9	

VCCO_24	AA14	IO_L1P_AD15P_24	IO_L7P_HDGC_24	AA13	
VCCO_24	AD13	IO_L1N_AD15N_24	IO_L7N_HDGC_24	AB13	
		IO_L2P_AD14P_24	IO_L8P_HDGC_24	AB15	
		IO_L2N_AD14N_24	IO_L8N_HDGC_24	AB14	
		IO_L3P_AD13P_24	IO_L9P_AD11P_24	W14	
		IO_L3N_AD13N_24	IO_L9N_AD11N_24	W13	
		IO_L4P_AD12P_24	IO_L10P_AD10P_24	Y14	
		IO_L4N_AD12N_24	IO_L10N_AD10N_24	Y13	
		IO_L5P_HDGC_24	IO_L11P_AD9P_24	W12	
		IO_L5N_HDGC_24	IO_L11N_AD9N_24	W11	
		IO_L6P_HDGC_24	IO_L12P_AD8P_24	Y12	
		IO_L6N_HDGC_24	IO_L12N_AD8N_24	AA12	

VCCO_25	B12	IO_L1P_AD15P_25	IO_L7P_HDGC_25	E10	B25 L7 P
VCCO_25	E11	IO_L1N_AD15N_25	IO_L7N_HDGC_25	D10	B25 L7 N
		IO_L2P_AD14P_25	IO_L8P_HDGC_25	E12	B25 L8 P
		IO_L2N_AD14N_25	IO_L8N_HDGC_25	D11	B25 L8 N
		IO_L3P_AD13P_25	IO_L9P_AD11P_25	C11	B25 L9 P
		IO_L3N_AD13N_25	IO_L9N_AD11N_25	B10	B25 L9 N
		IO_L4P_AD12P_25	IO_L10P_AD10P_25	B11	B25 L10 P
		IO_L4N_AD12N_25	IO_L10N_AD10N_25	A10	B25 L10 N
		IO_L5P_HDGC_25	IO_L11P_AD9P_25	A12	B25 L11 P
		IO_L5N_HDGC_25	IO_L11N_AD9N_25	A11	B25 L11 N
		IO_L6P_HDGC_25	IO_L12P_AD8P_25	D12	B25 L12 P
		IO_L6N_HDGC_25	IO_L12N_AD8N_25	C12	B25 L12 N



Title: TE0803 - HD Banks		
A4	Number: TE0803 03CG-1EA	Rev. 02
Date: 2018-05-21	Copyright: Trenz Electronic GmbH / TT	Page6 of 26
Filename: B_HD.SchDoc		



Title: TE0803 - Config		
A4	Number: TE0803 03CG-1EA	Rev. 02
Date: 2018-05-21	Copyright: Trenz Electronic GmbH / TT	Page 7 of 26
Filename: CONFIG.SchDoc		

1

2

3

4

A

A

B

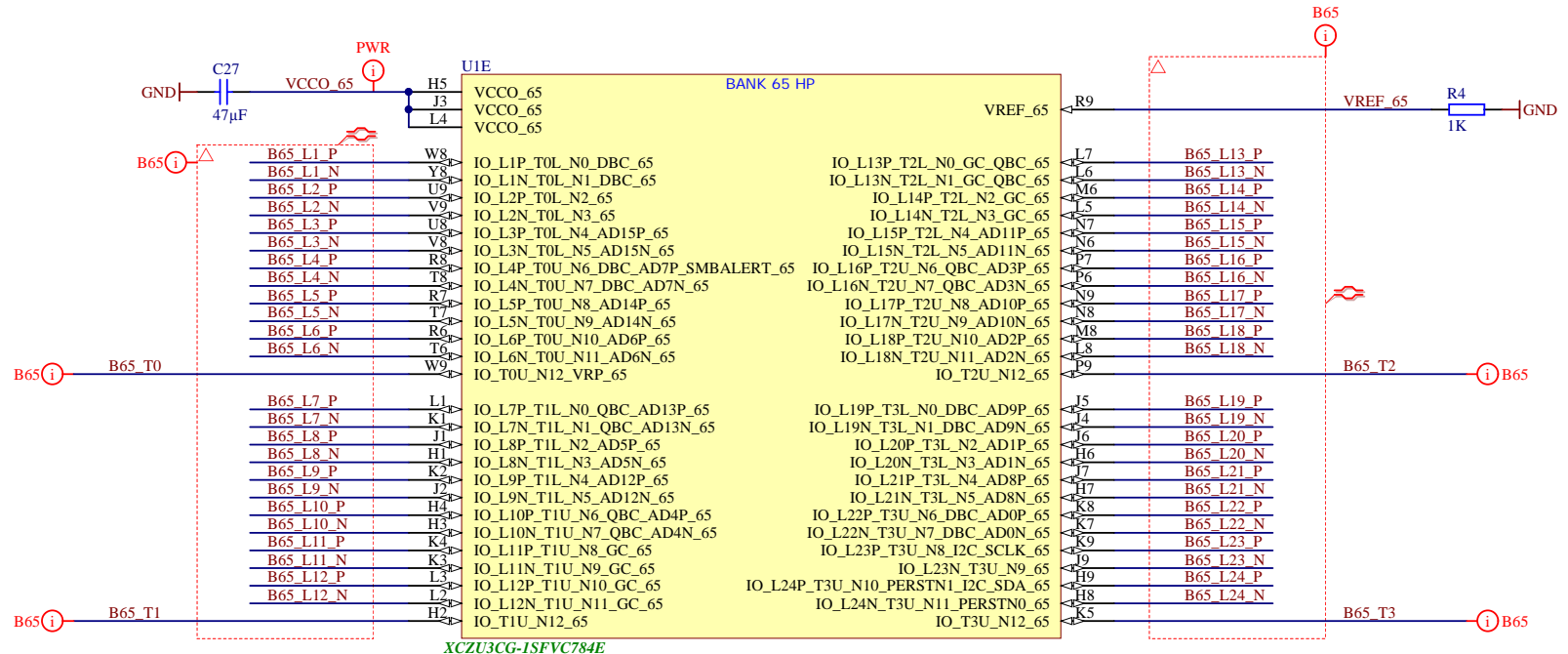
B

C

C

D

D



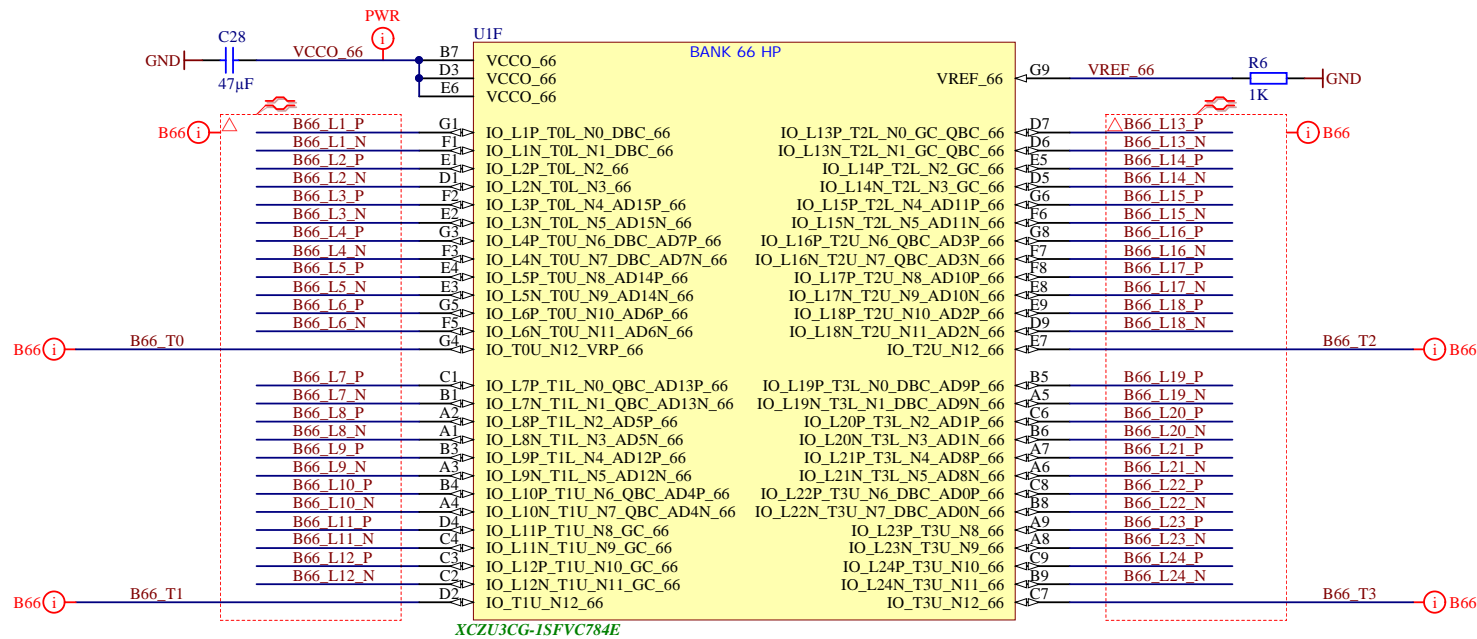
	Title: TE0803 - B65		
	A4	Number: TE0803 03CG-1EA	Rev. 02
	Date: 2018-05-21	Copyright: Trenz Electronic GmbH / TT	Page9 of 26
	Filename: B65.SchDoc		

1

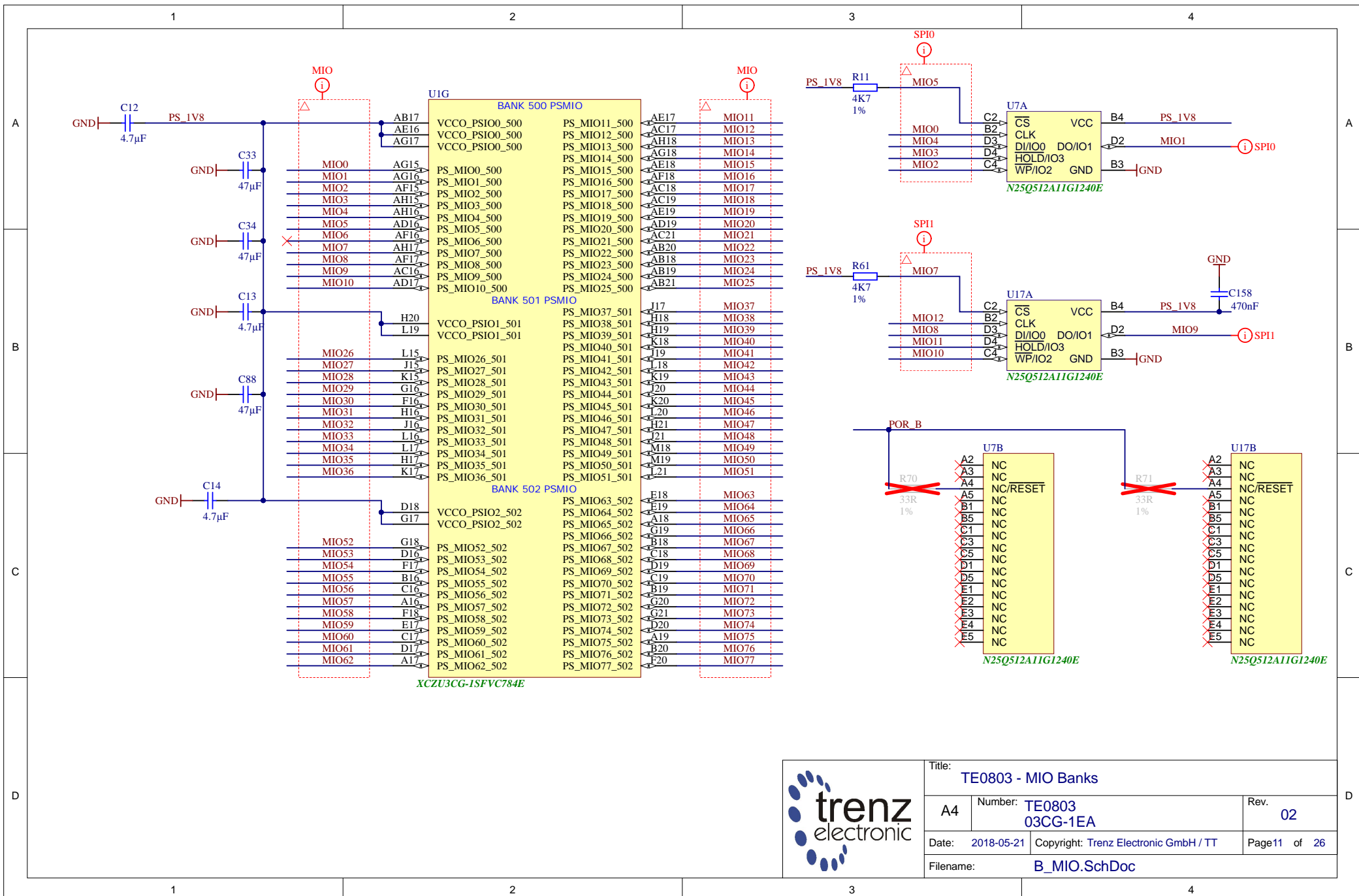
2

3

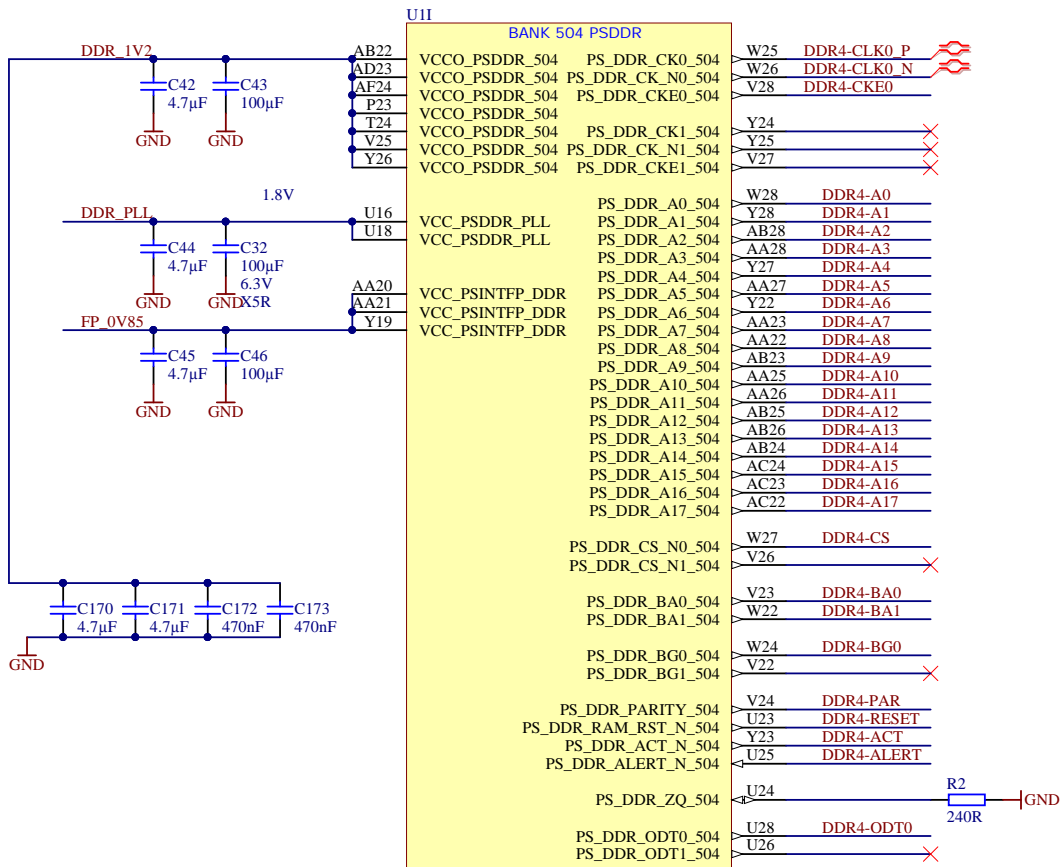
4



Title: TE0803 - B66		
A4	Number: TE0803 03CG-1EA	Rev. 02
Date: 2018-05-21	Copyright: Trenz Electronic GmbH / TT	Page 10 of 26
Filename: B66.SchDoc		



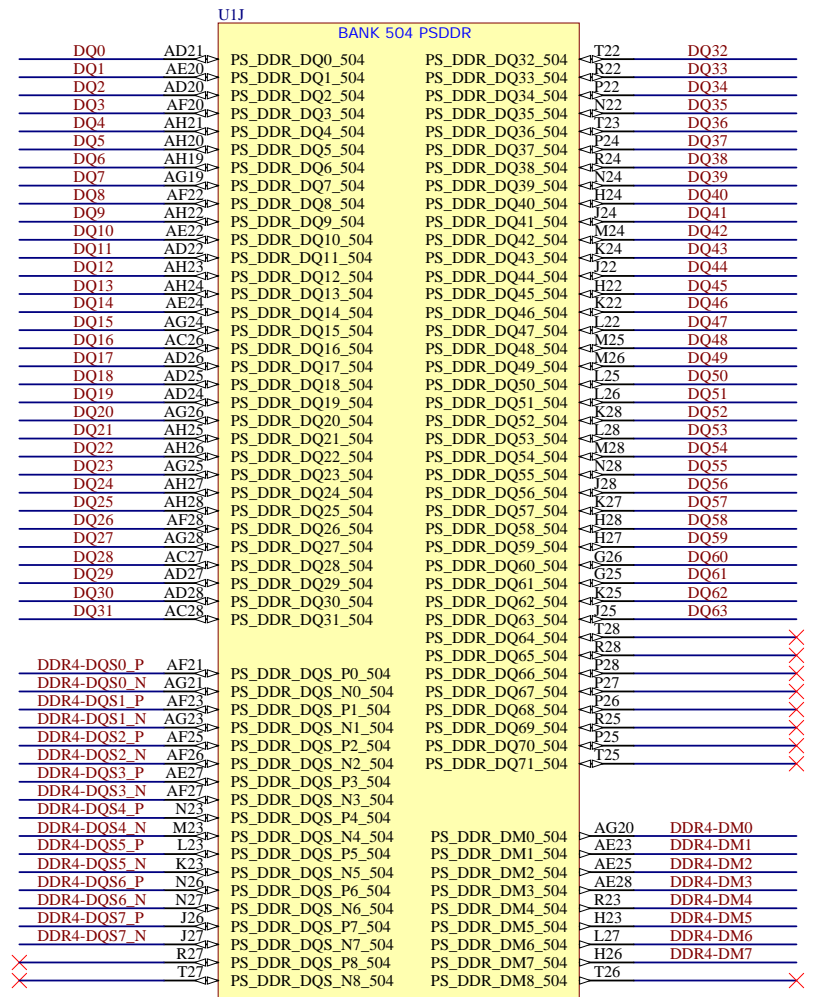
	Title: TE0803 - MIO Banks	
	A4	Number: TE0803 03CG-1EA
	Date: 2018-05-21	Copyright: Trenz Electronic GmbH / TT
	Filename: B_MIO.SchDoc	Page 11 of 26
Rev. 02		



U11 BANK 504 PSDDR

AB22	VCCO_PSDDR_504	PS_DDR_CK0_504	W25	DDR4-CLK0_P	
AD23	VCCO_PSDDR_504	PS_DDR_CK_N0_504	W26	DDR4-CLK0_N	
AF24	VCCO_PSDDR_504	PS_DDR_CKE0_504	V28	DDR4-CKE0	
P23	VCCO_PSDDR_504				
T24	VCCO_PSDDR_504		Y24		XX
V25	VCCO_PSDDR_504	PS_DDR_CK1_504	Y25		XX
Y26	VCCO_PSDDR_504	PS_DDR_CK_N1_504	V27		XX
	VCCO_PSDDR_504	PS_DDR_CKE1_504			
			W28	DDR4-A0	
			Y28	DDR4-A1	
			AB28	DDR4-A2	
			AA28	DDR4-A3	
			Y27	DDR4-A4	
			AA27	DDR4-A5	
			Y22	DDR4-A6	
			AA23	DDR4-A7	
			AA22	DDR4-A8	
			AB23	DDR4-A9	
			AA25	DDR4-A10	
			AA26	DDR4-A11	
			AB25	DDR4-A12	
			AB26	DDR4-A13	
			AB24	DDR4-A14	
			AC24	DDR4-A15	
			AC23	DDR4-A16	
			AC22	DDR4-A17	
			W27	DDR4-CS	
			V26		XX
			V23	DDR4-BA0	
			W22	DDR4-BA1	
			W24	DDR4-BG0	
			V22		XX
			V24	DDR4-PAR	
			U23	DDR4-RESET	
			Y23	DDR4-ACT	
			U25	DDR4-ALERT	
			U24		
			U28	DDR4-ODT0	
			U26		XX

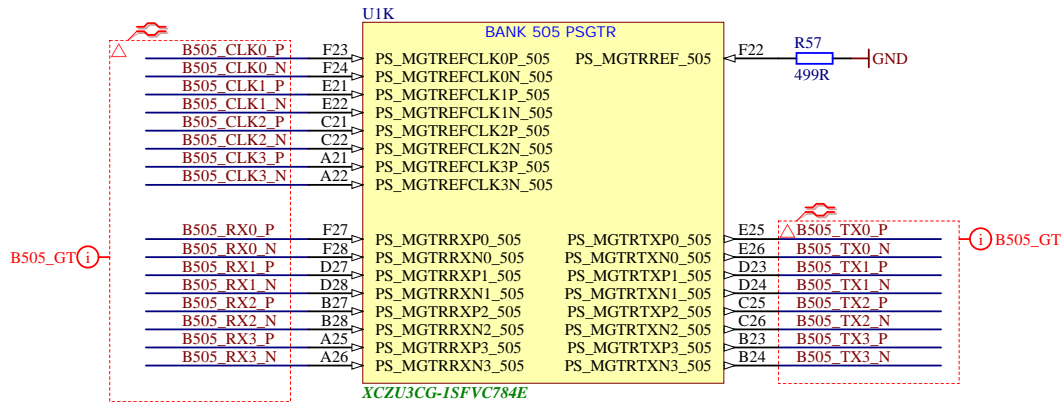
XCZU3CG-1SFVC784E




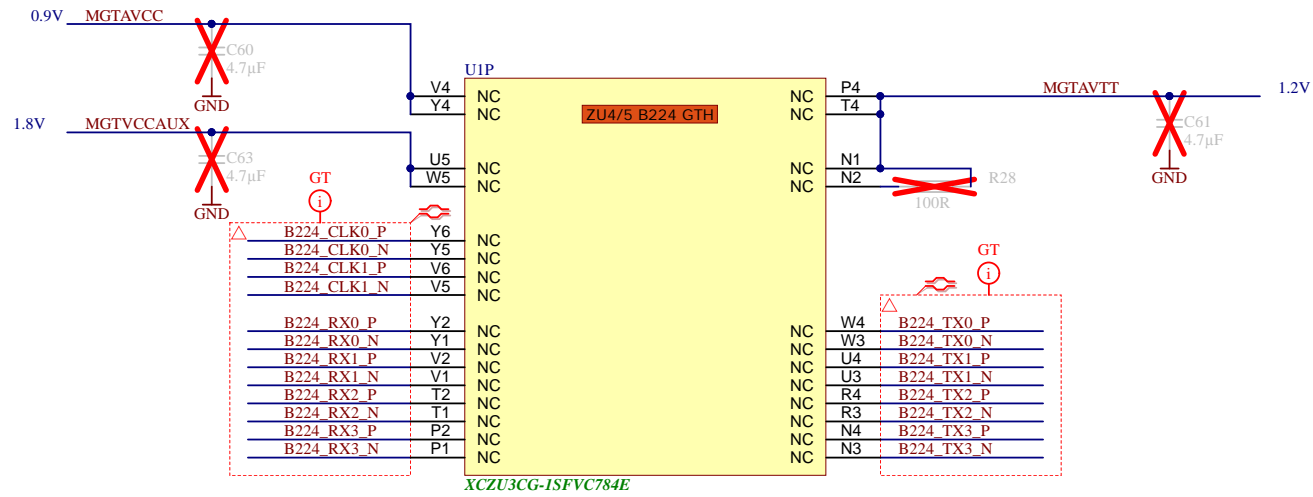
XCZU3CG-1SFVC784E



Title: TE0803 - PS_DDR			
A4	Number: TE0803 03CG-1EA	Rev. 02	
Date: 2018-05-21	Copyright: Trenz Electronic GmbH / TT	Page 12 of 26	
Filename: PS_DDR.SchDoc			



	Title: TE0803 - PS_GT		
	A4	Number: TE0803 03CG-1EA	Rev. 02
	Date: 2018-05-21	Copyright: Trenz Electronic GmbH / TT	Page 13 of 26
	Filename: B_PS_GT.SchDoc		



Title: TE0803 - B224GTH		
A4	Number: TE0803 03CG-1EA	Rev. 02
Date: 2018-05-21	Copyright: Trenz Electronic GmbH / TT	Page 14 of 26
Filename: B_GT.SchDoc		

1

2

3

4

A

A

B

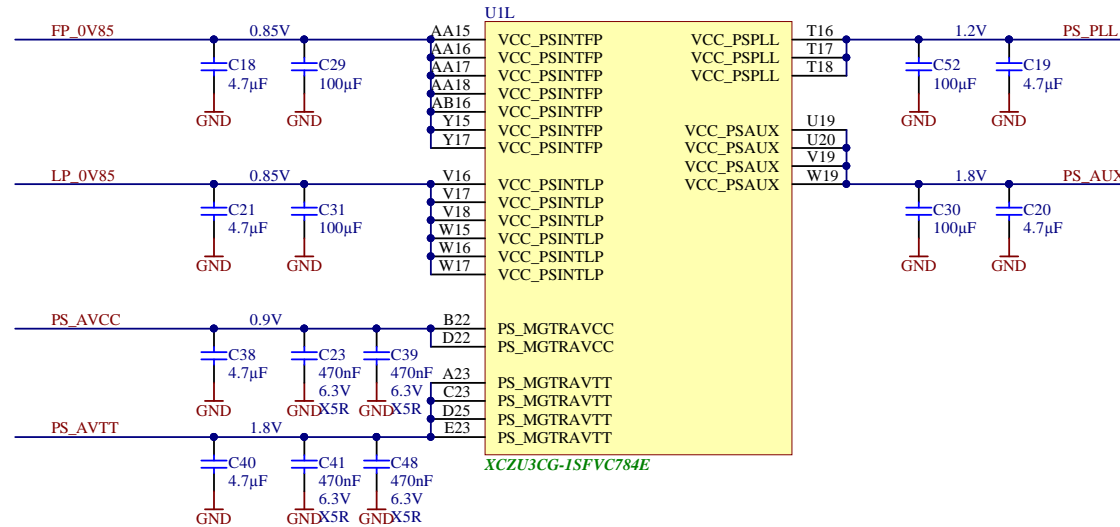
B

C

C

D

D



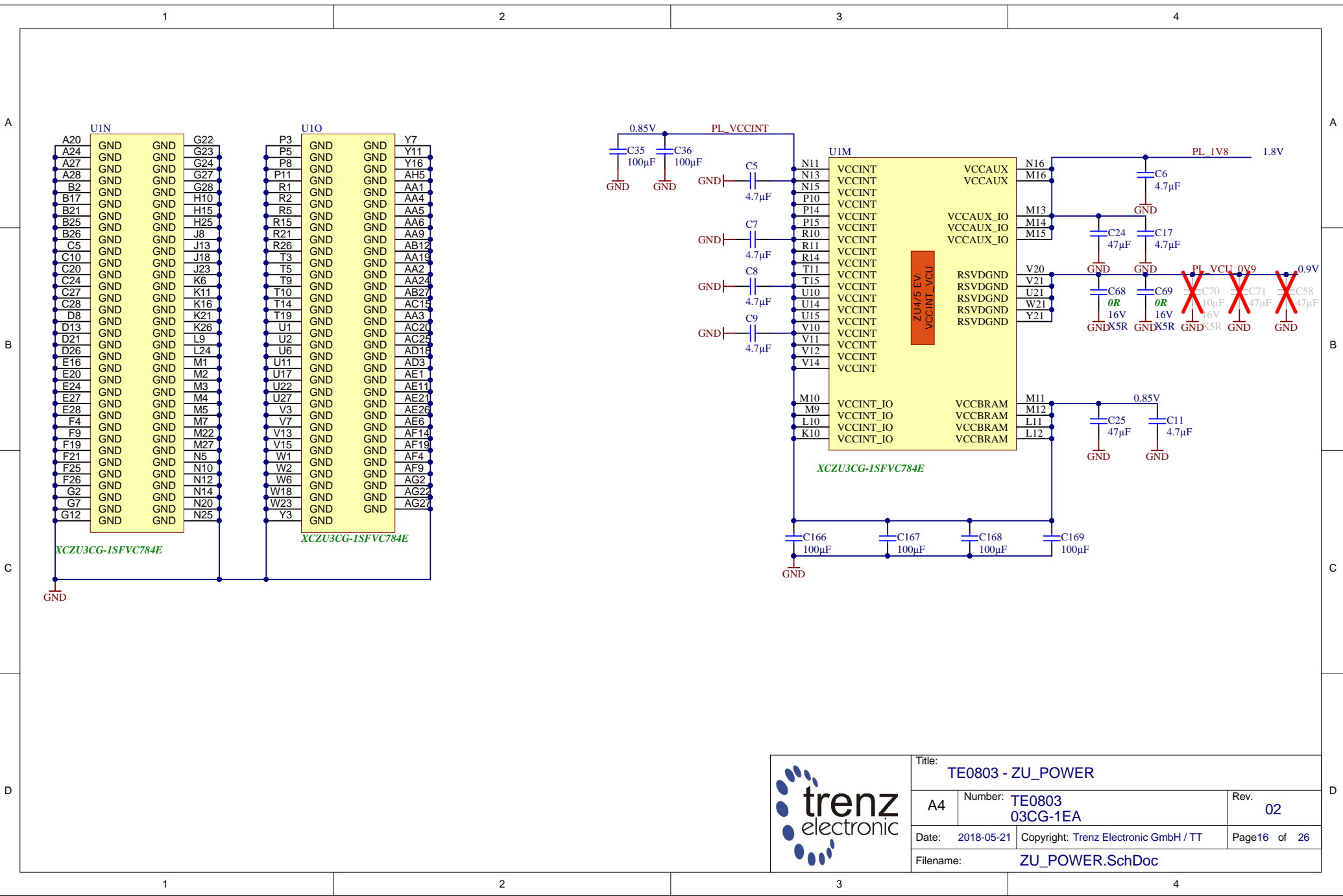
Title: TE0803 - ZU_PS_POWER		
A4	Number: TE0803 03CG-1EA	Rev. 02
Date: 2018-05-21	Copyright: Trenz Electronic GmbH / TT	Page15 of 26
Filename: ZU_PS_POWER.SchDoc		


1

2

3

4



	Title: TE0803 - ZU_POWER		
	A4	Number: TE0803 03CG-1EA	Rev. 02
	Date: 2018-05-21	Copyright: Trenz Electronic GmbH / TT	Page 16 of 26
	Filename: ZU_POWER.SchDoc		

1

2

3

4

A

A

B

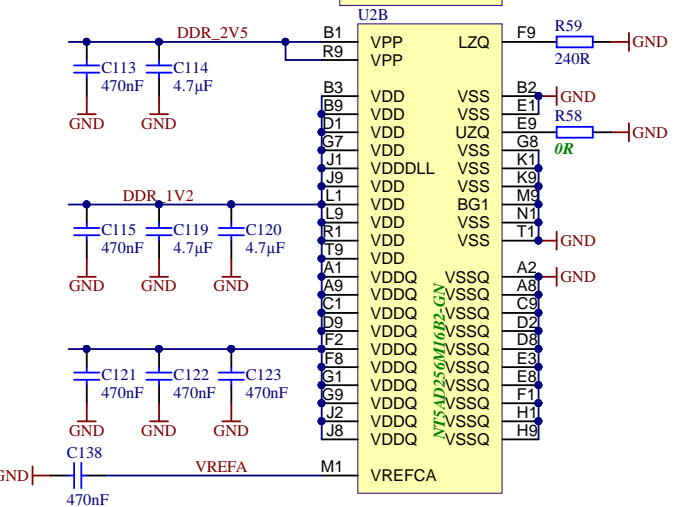
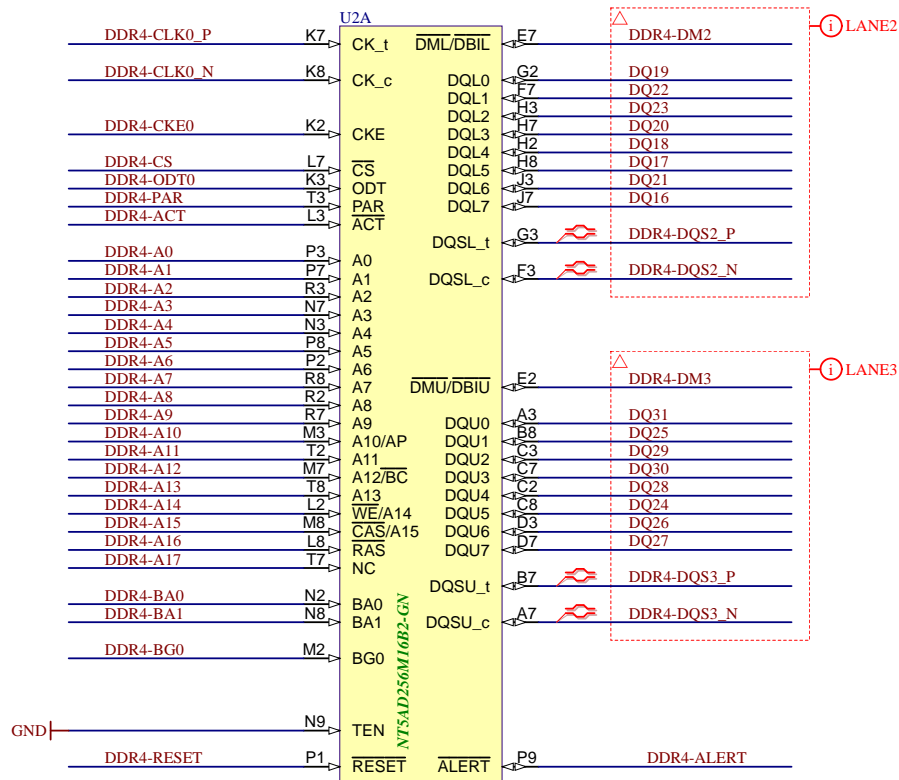
B

C

C

D

D



Title: TE0803 - DDR4_1_RAM		
A4	Number: TE0803 03CG-1EA	Rev. 02
Date: 2018-05-21	Copyright: Trenz Electronic GmbH / TT	Page17 of 26
Filename: DDR4-RAM.SchDoc		

1

2

3

4

1

2

3

4

A

A

B

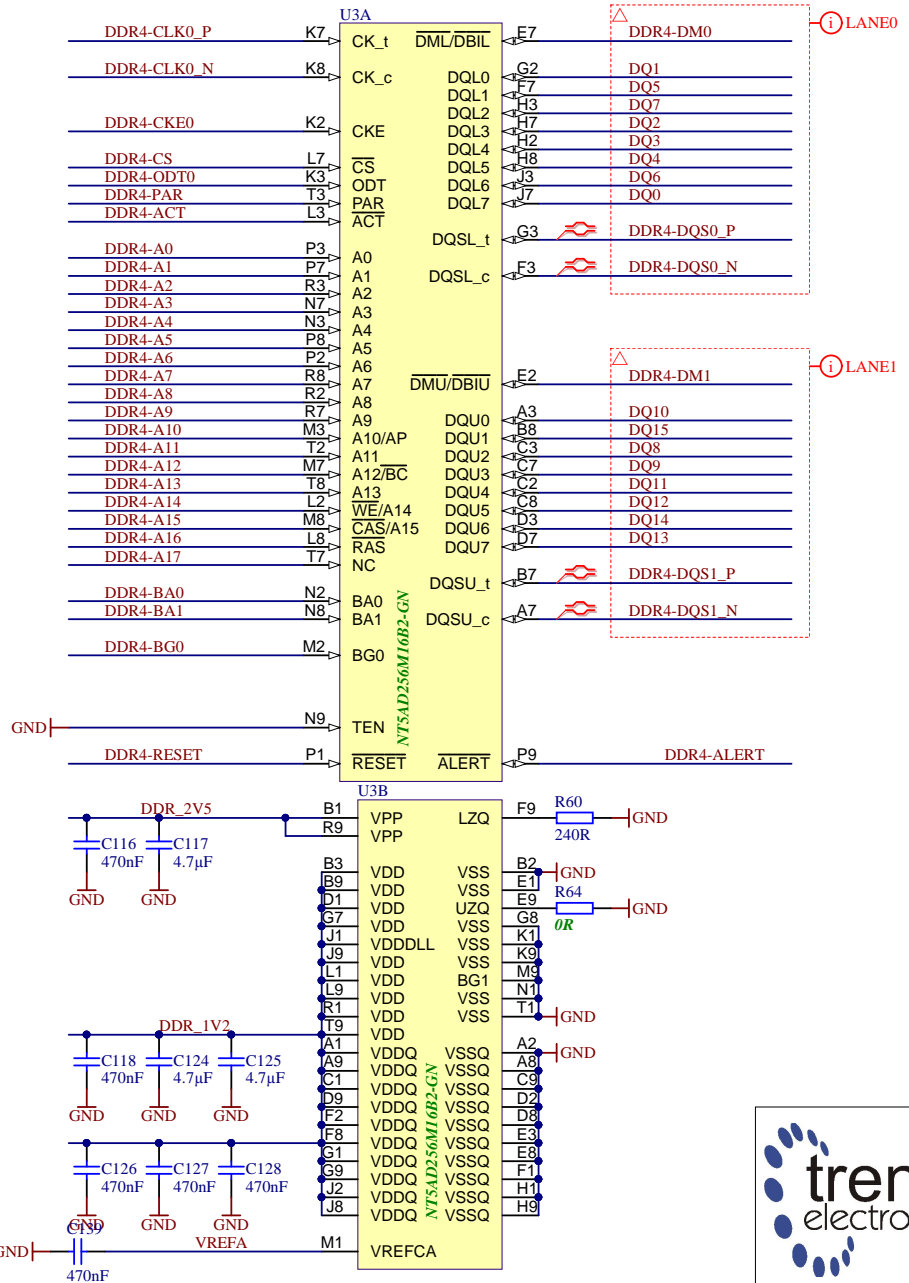

B

C

C

D

D

Title: TE0803 - DDR4_2_RAM		
A4	Number: TE0803 03CG-1EA	Rev. 02
Date: 2018-05-21	Copyright: Trenz Electronic GmbH / TT	Page18 of 26
Filename: DDR4-RAM_2.SchDoc		

1

2

3

4

1

2

3

4

A

A

B

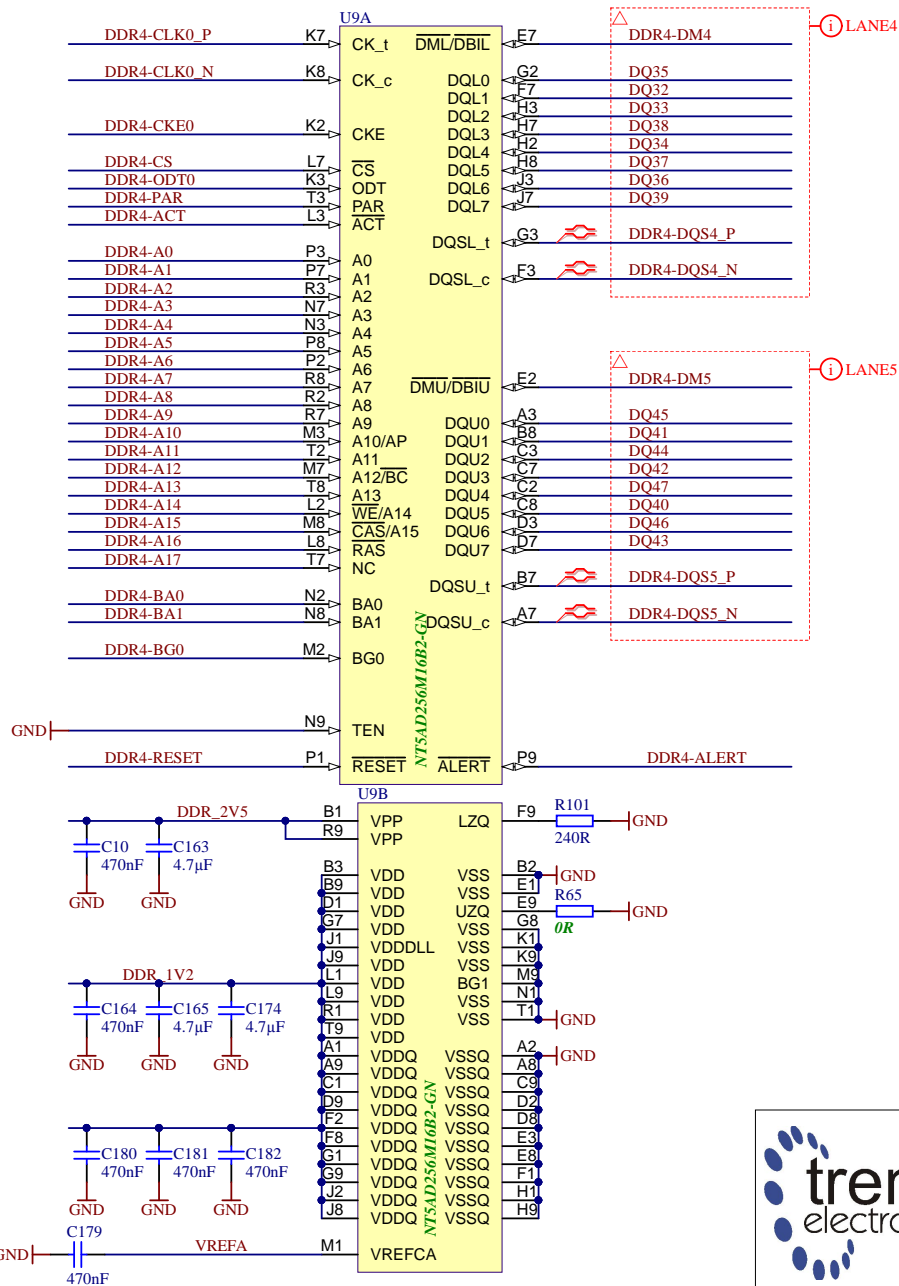
B

C

C

D

D



Title: TE0803 - DDR4_3_RAM		
A4	Number: TE0803 03CG-1EA	Rev. 02
Date: 2018-05-21	Copyright: Trenz Electronic GmbH / TT	Page 19 of 26
Filename: DDR4-RAM_3.SchDoc		

1

2

3

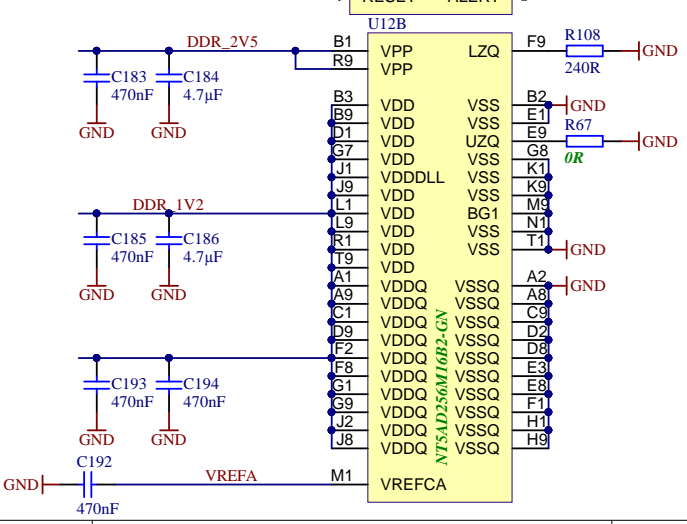
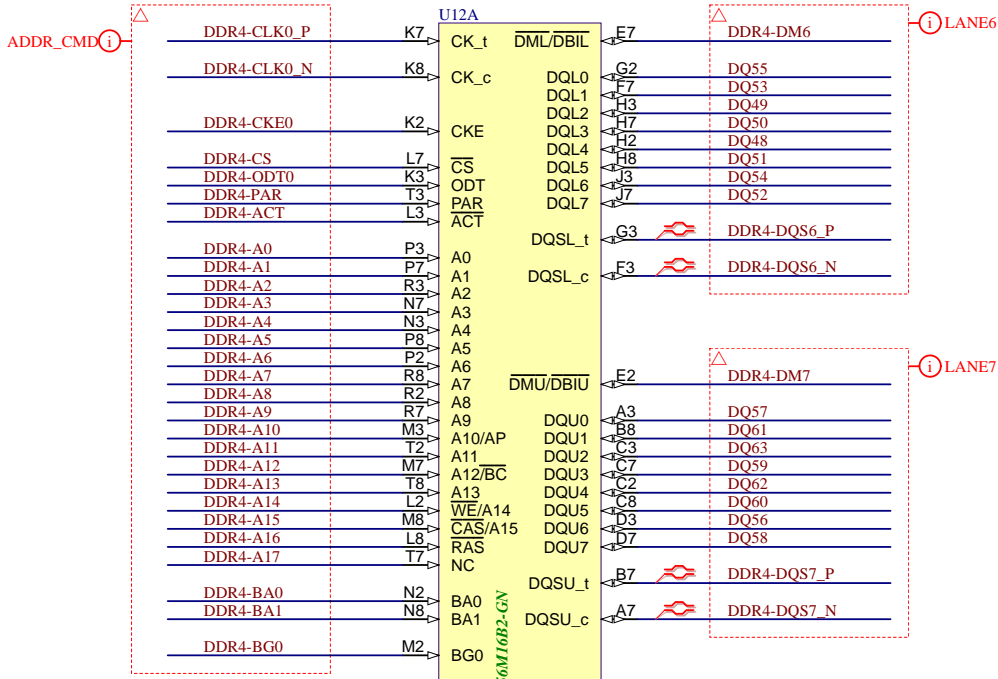
4

1

2

3

4



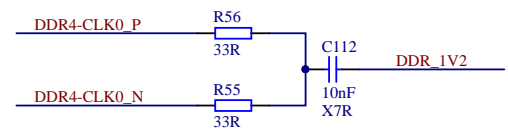
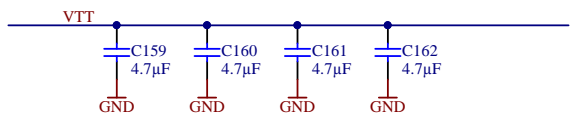
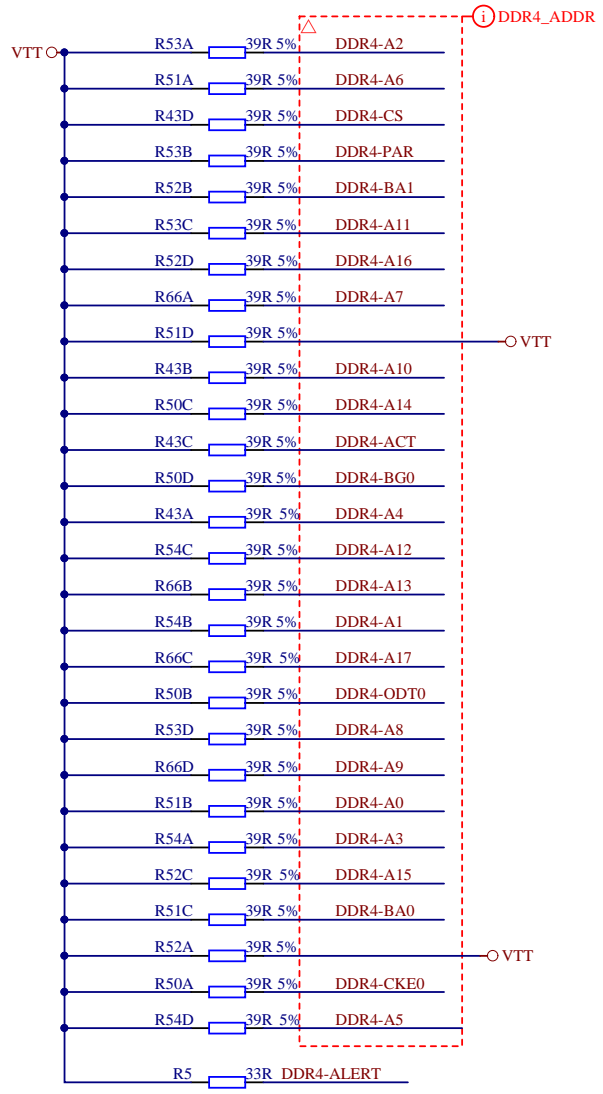
Title: TE0803 - DDR4_4_RAM		
A4	Number: TE0803 03CG-1EA	Rev. 02
Date: 2018-05-21	Copyright: Trenz Electronic GmbH / TT	Page20 of 26
Filename: DDR4-RAM_4.SchDoc		

1

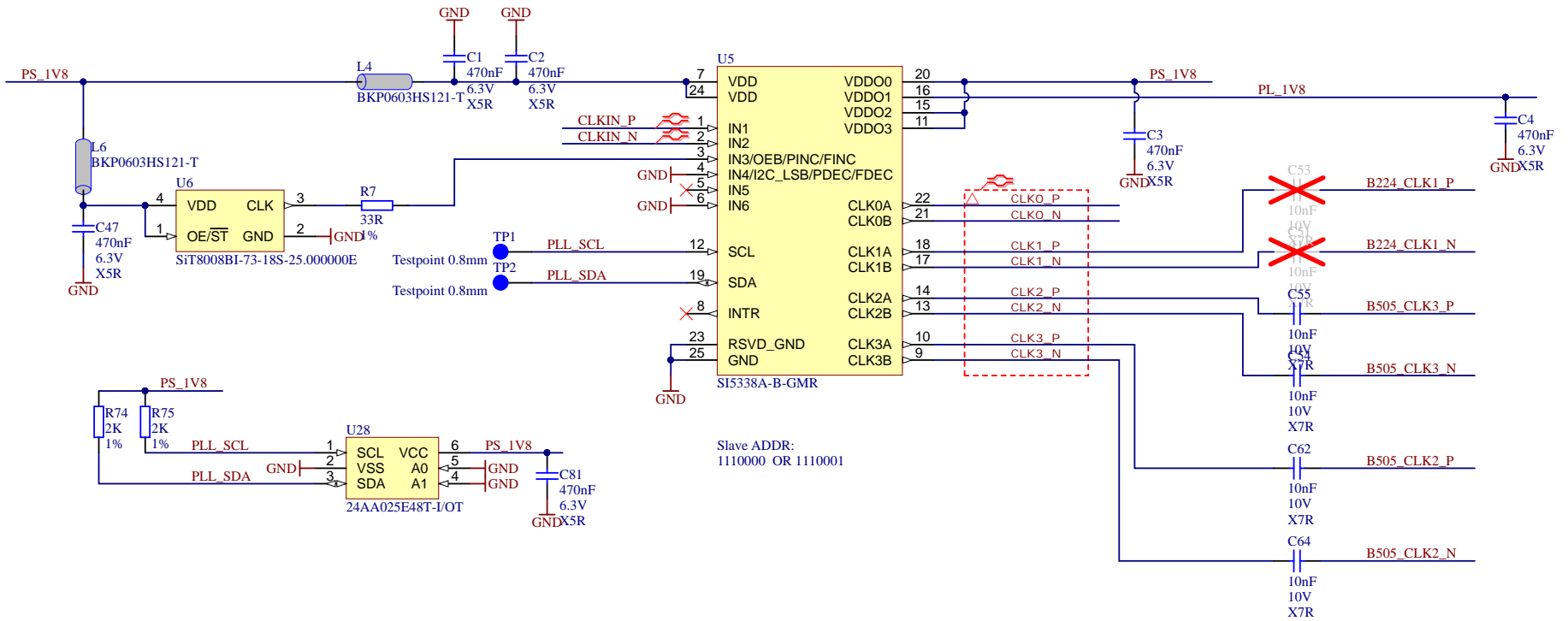
2

3

4



Title: TE0803 - DDR4_TERM		
A4	Number: TE0803 03CG-1EA	Rev. 02
Date: 2018-05-21	Copyright: Trenz Electronic GmbH / TT	Page21 of 26
Filename: DDR4-TERM.SchDoc		



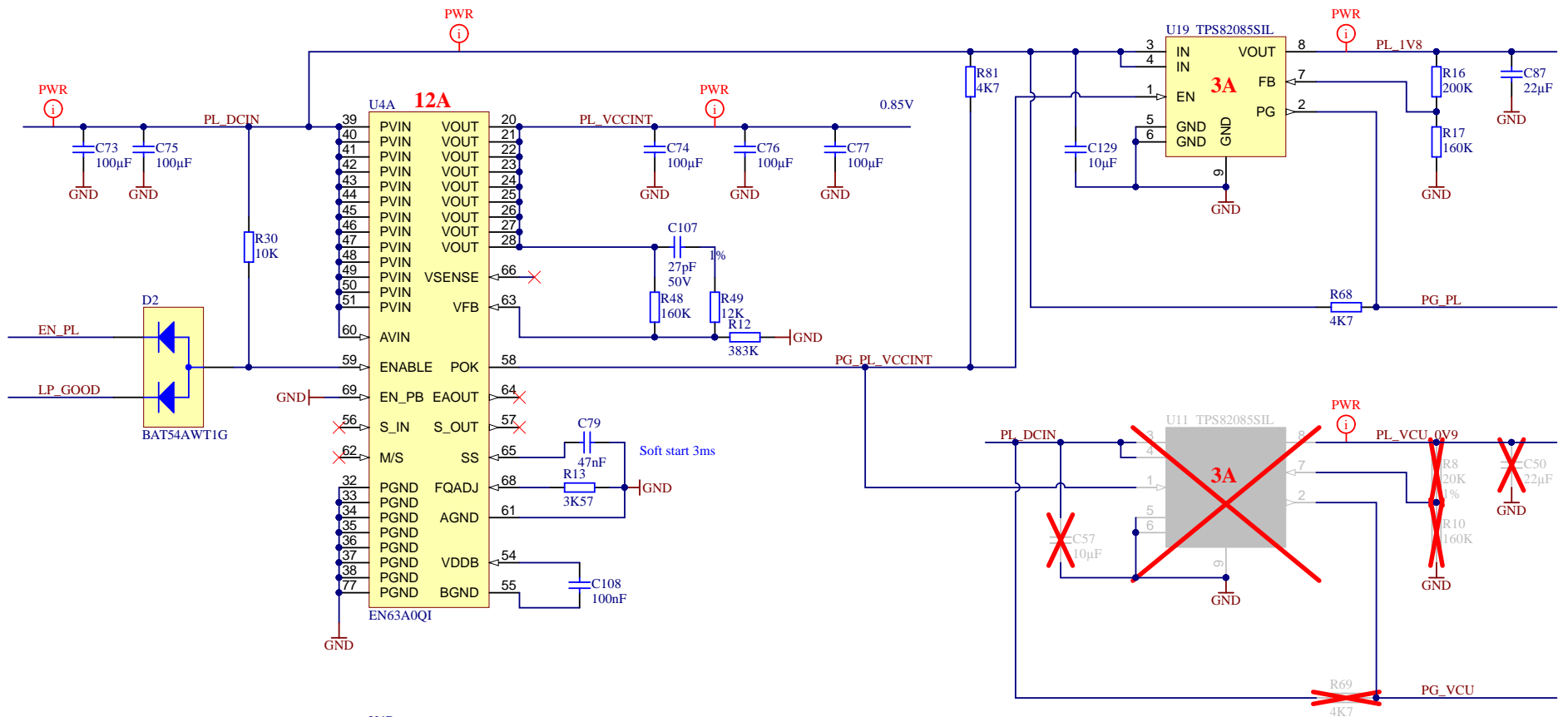
Title: TE0803 - CLOCK		
A4	Number: TE0803 03CG-1EA	Rev. 02
Date: 2018-05-21	Copyright: Trenz Electronic GmbH / TT	Page22 of 26
Filename: Clock.SchDoc		

1

2

3

4

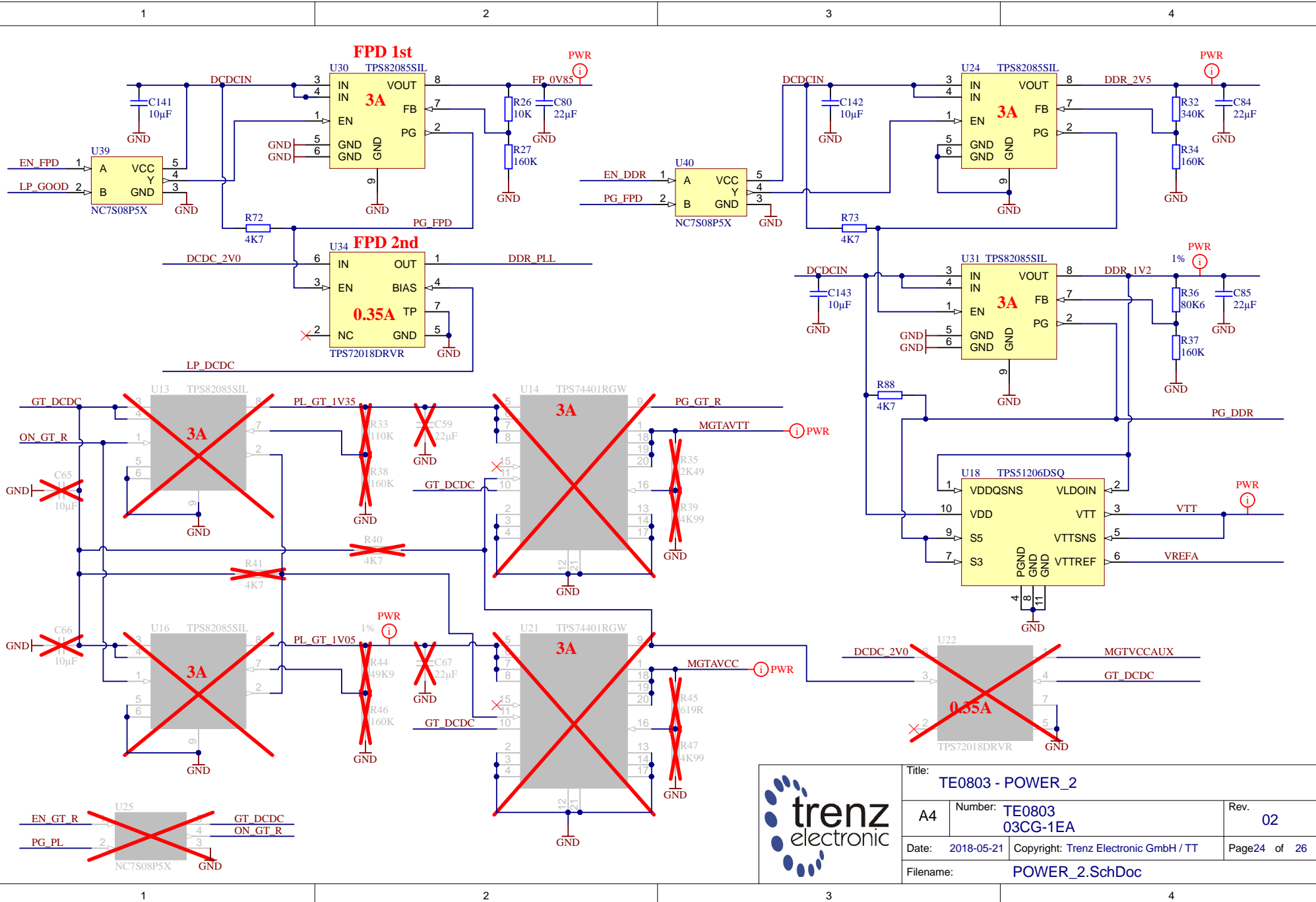


U4B			
1	NC	NC	17
2	NC	NC	18
3	NC	NC	19
4	NC	NC	29
5	NC	NC	30
6	NC	NC(SW)	31
7	NC	NC(SW)	52
8	NC	NC	53
9	NC	NC	67
10	NC	NC(SW)	70
11	NC	NC(SW)	71
12	NC	NC(SW)	72
13	NC	NC	73
14	NC	NC	74
15	NC	NC	75
16	NC	NC	76

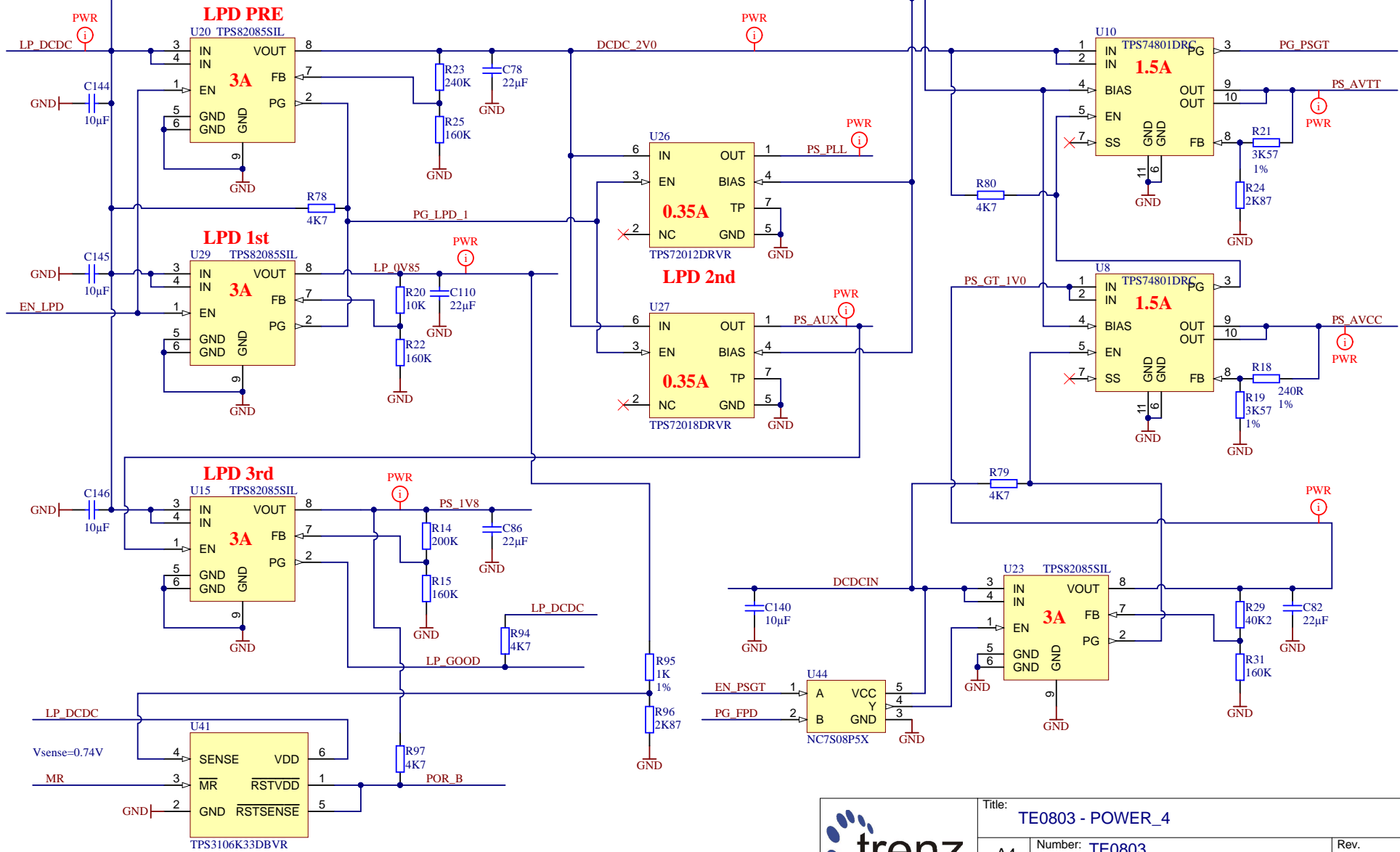
EN63A0QI




Title: TE0803 - POWER		
A4	Number: TE0803 03CG-1EA	Rev. 02
Date: 2018-05-21	Copyright: Trenz Electronic GmbH / TT	Page23 of 26
Filename: POWER.SchDoc		



Title: TE0803 - POWER_2		
A4	Number: TE0803 03CG-1EA	Rev. 02
Date: 2018-05-21	Copyright: Trenz Electronic GmbH / TT	Page24 of 26
Filename: POWER_2.SchDoc		



			Title: TE0803 - POWER_4	
			A4	Number: TE0803 03CG-1EA
Date: 2018-05-21		Copyright: Trenz Electronic GmbH / TT		Page25 of 26
Filename: POWER_4.SchDoc				

1

2

3

4

CHANGES REV01a (20.11.2017):

1) VCU voltage set to 0.9V, R20 changed to 40K , PL_VCU_1V0 renamed to PL_VCU_0V9.

CHANGES REV02 (20.06.2018):

- 1) Added LDO to DDR_PLL
- 2) All differential pairs wath length matched with tollerance 0.1mm (excluding package delays)
- 3) Added MAC EEPROM U28
- 4) VPS_MGTRAVCC set to 0.85V
- 5) Added pull-up resistors R68,R69

A

A

B

B

C

C

D

D



Title: TE0803 - Changes list		
A4	Number: TE0803 03CG-1EA	Rev. 02
Date: 2018-05-21	Copyright: Trenz Electronic GmbH	Page26 of 26
Filename: Revision_Changes.SchDoc		

1

2

3

4