

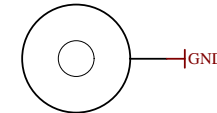
1

2

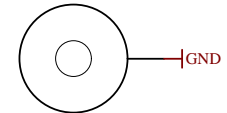
3

4

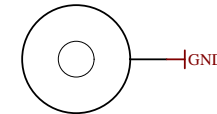
U_J1 J1.SchDoc	U_B_PS_GT B_PS_GT.SchDoc	U_DDR4-TERM DDR4-TERM.SchDoc
U_J2 J2.SchDoc	U_PS_DDR PS_DDR.SchDoc	U_ZU_POWER ZU_POWER.SchDoc
U_J3 J3.SchDoc	U_B_MIO B_MIO.SchDoc	U_ZU_PS_POWER ZU_PS_POWER.SchDoc
U_J4 J4.SchDoc	U_B_HD B_HD.SchDoc	U_POWER POWER.SchDoc
U_DDR4-TERM DDR4-TERM.SchDoc	U_Clock Clock.SchDoc	U_POWER_2 POWER_2.SchDoc
U_B64 B64.SchDoc	U_CONFIG CONFIG.SchDoc	
U_B65 B65.SchDoc	U_DDR4-RAM DDR4-RAM.SchDoc	U_POWER_4 POWER_4.SchDoc
U_B66 B66.SchDoc	U_DDR4-RAM_2 DDR4-RAM_2.SchDoc	U_REV_CH Revision_Changes.SchDoc
U_B_GT B_GT.SchDoc	U_DDR4-RAM_3 DDR4-RAM_3.SchDoc	
	U_DDR4-RAM_4 DDR4-RAM_4.SchDoc	



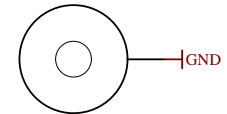
Mount.Hole 3.2mm für Unterlegscheibe



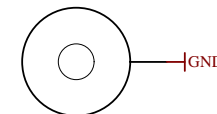
Mount.Hole 3.2mm für Unterlegscheibe



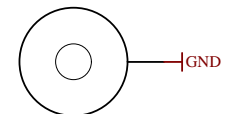
Mount.Hole 3.2mm für Unterlegscheibe



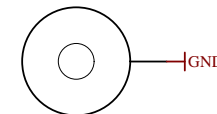
Mount.Hole 3.2mm für Unterlegscheibe



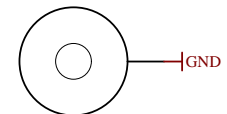
Mount.Hole 3.2mm für Unterlegscheibe



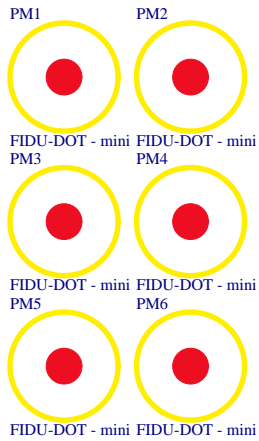
Mount.Hole 3.2mm für Unterlegscheibe



Mount.Hole 3.2mm für Unterlegscheibe

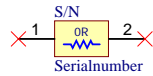


Mount.Hole 3.2mm für Unterlegscheibe



LOGO1  
TE Logo PRINT Layer  
LOGO PRINT

Serial  
Serial  
Serialnumber 6,3 x 6.3mm



Title: TE0803		
A4	Number: TE0803 03EG-1IB	Rev. 02
Date: 2018-05-21	Copyright: Trenz Electronic GmbH / TT	Page1 of 26
Filename: TE0803.SchDoc		

1

2

3

4

A

A

B

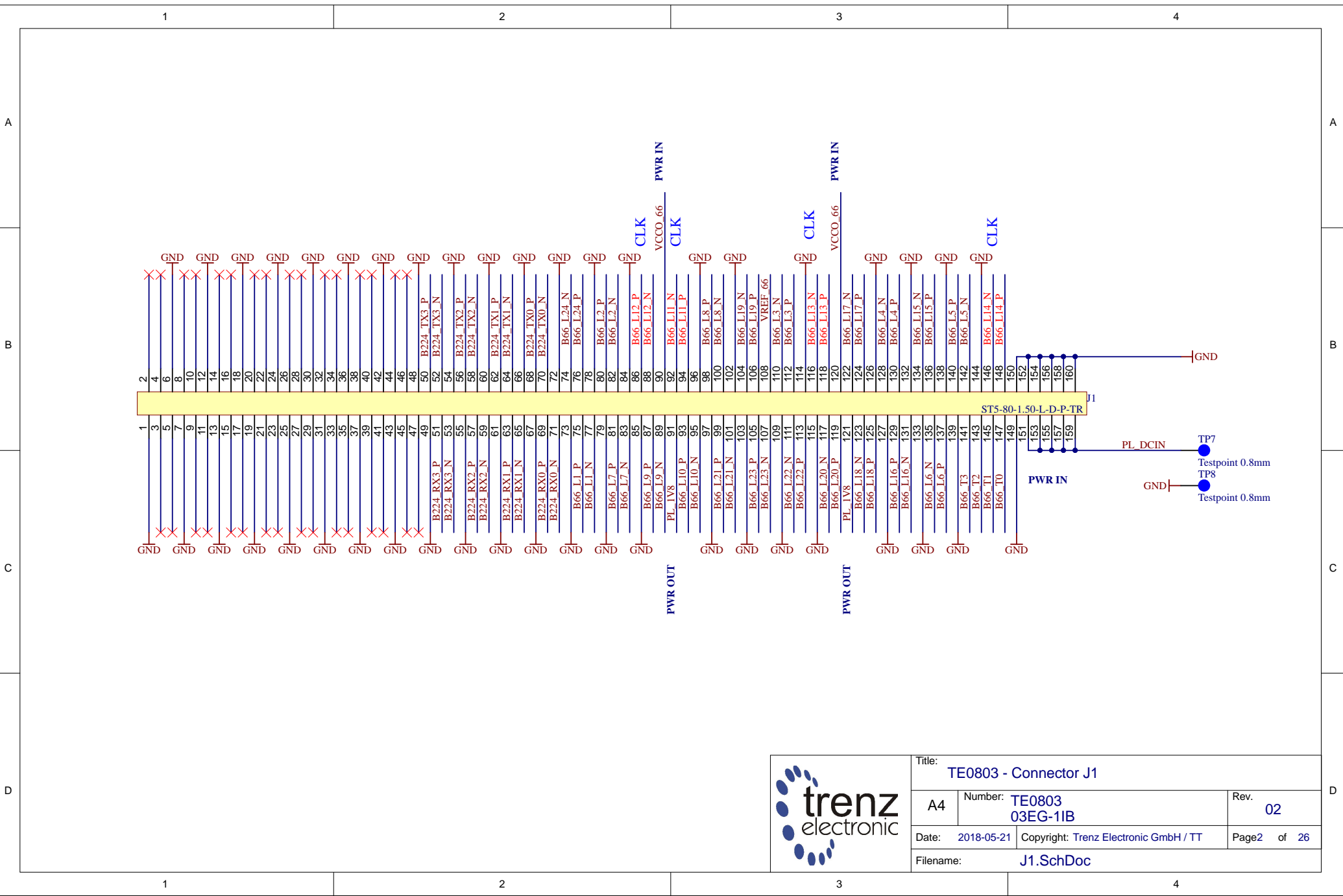
B


C

C

D

D



	Title: TE0803 - Connector J1	
	A4	Number: TE0803 03EG-11B
	Date: 2018-05-21	Copyright: Trenz Electronic GmbH / TT
	Filename: J1.SchDoc	Rev. 02
		Page2 of 26

1

2

3

4

A

A

B

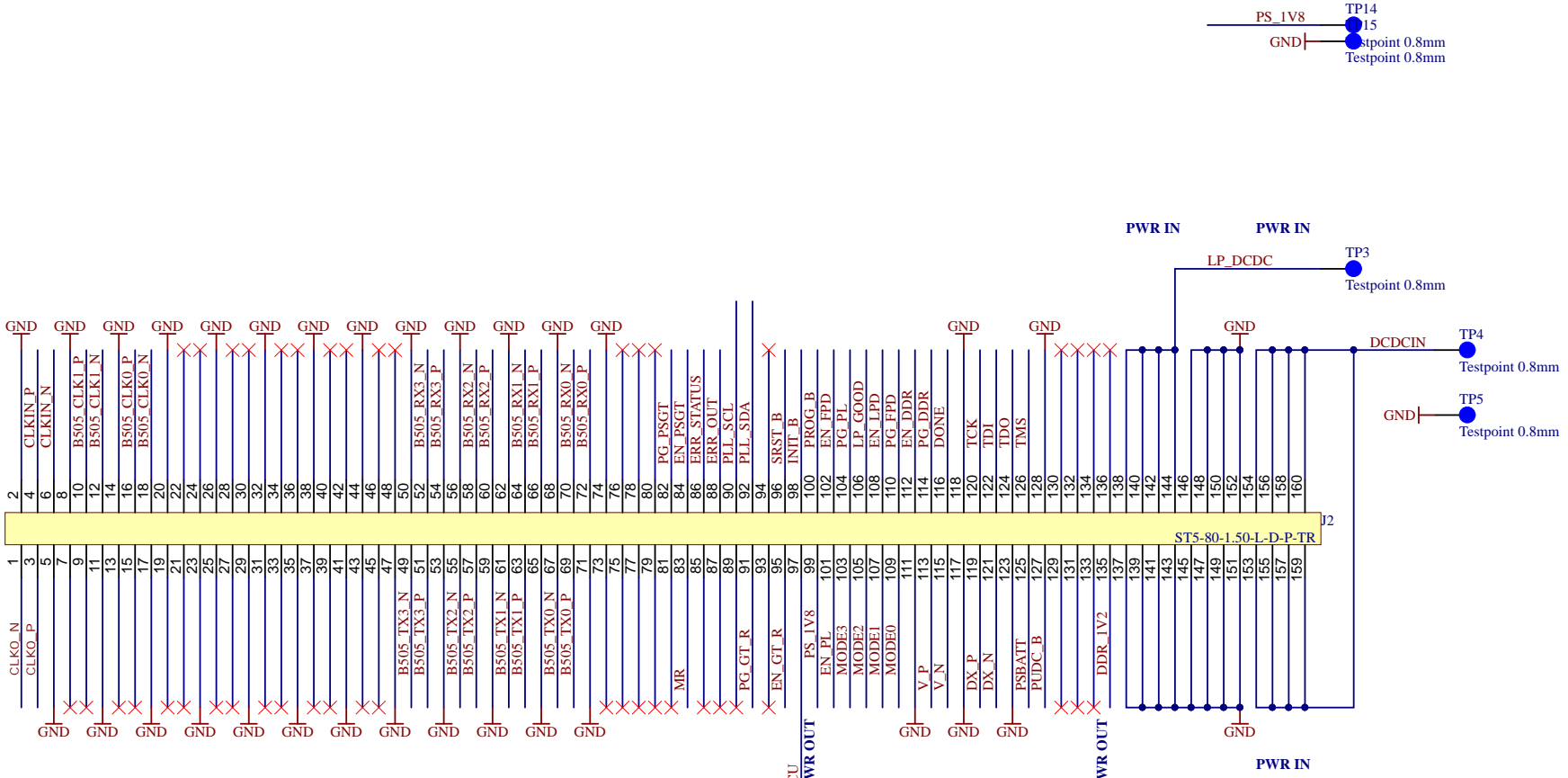
B

C

C

D

D



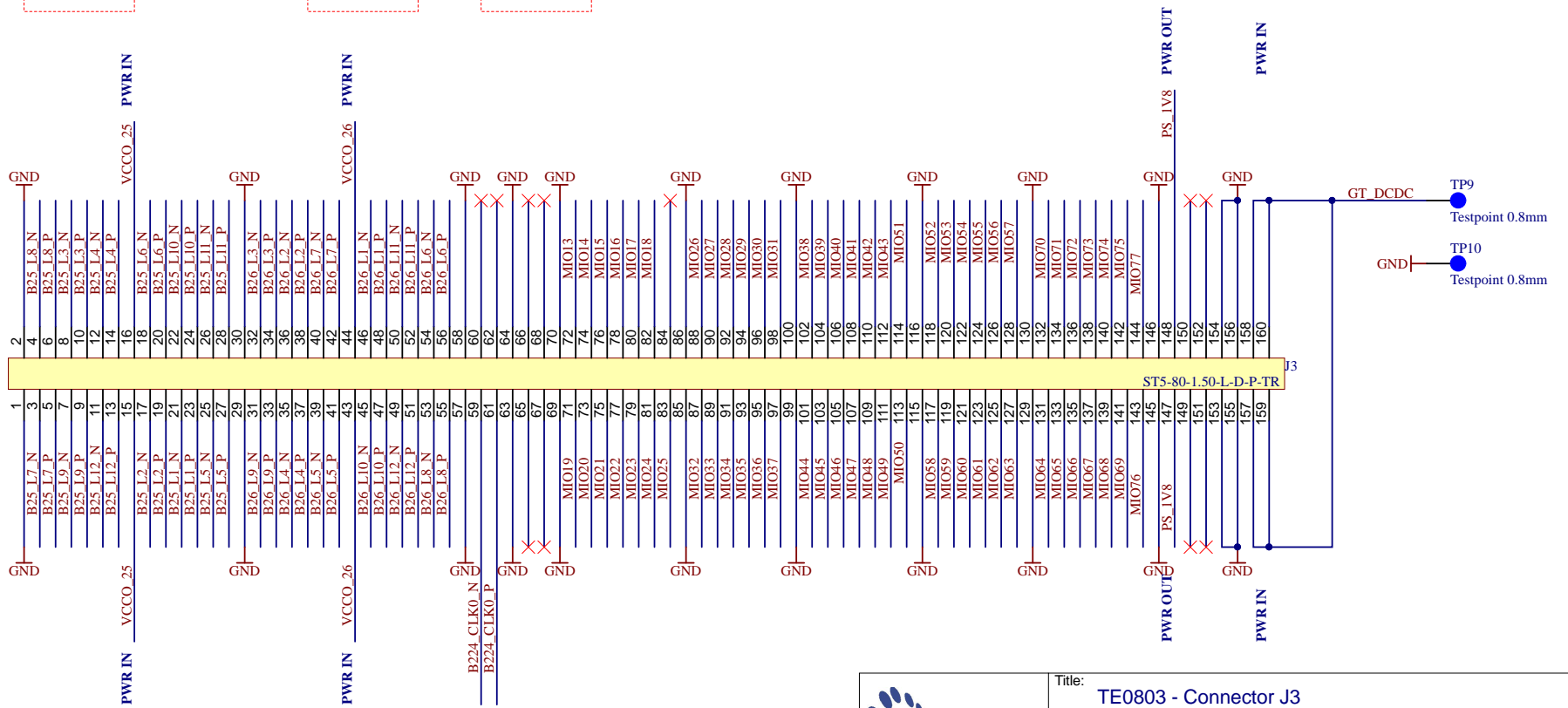
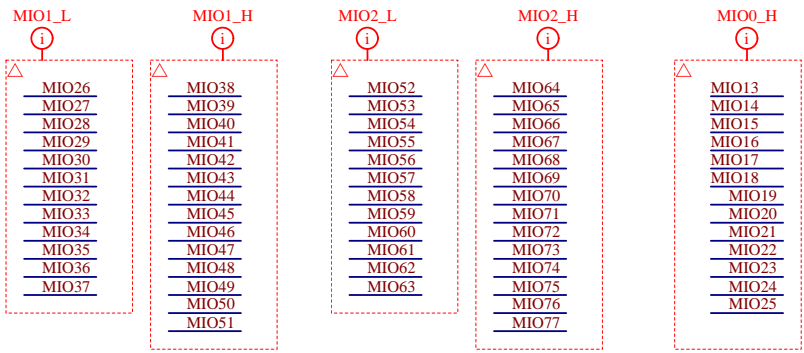
Title: TE0803 - Connector J2		
A4	Number: TE0803 03EG-11B	Rev. 02
Date: 2018-05-21	Copyright: Trenz Electronic GmbH / TT	Page3 of 26
Filename: J2.SchDoc		

1

2

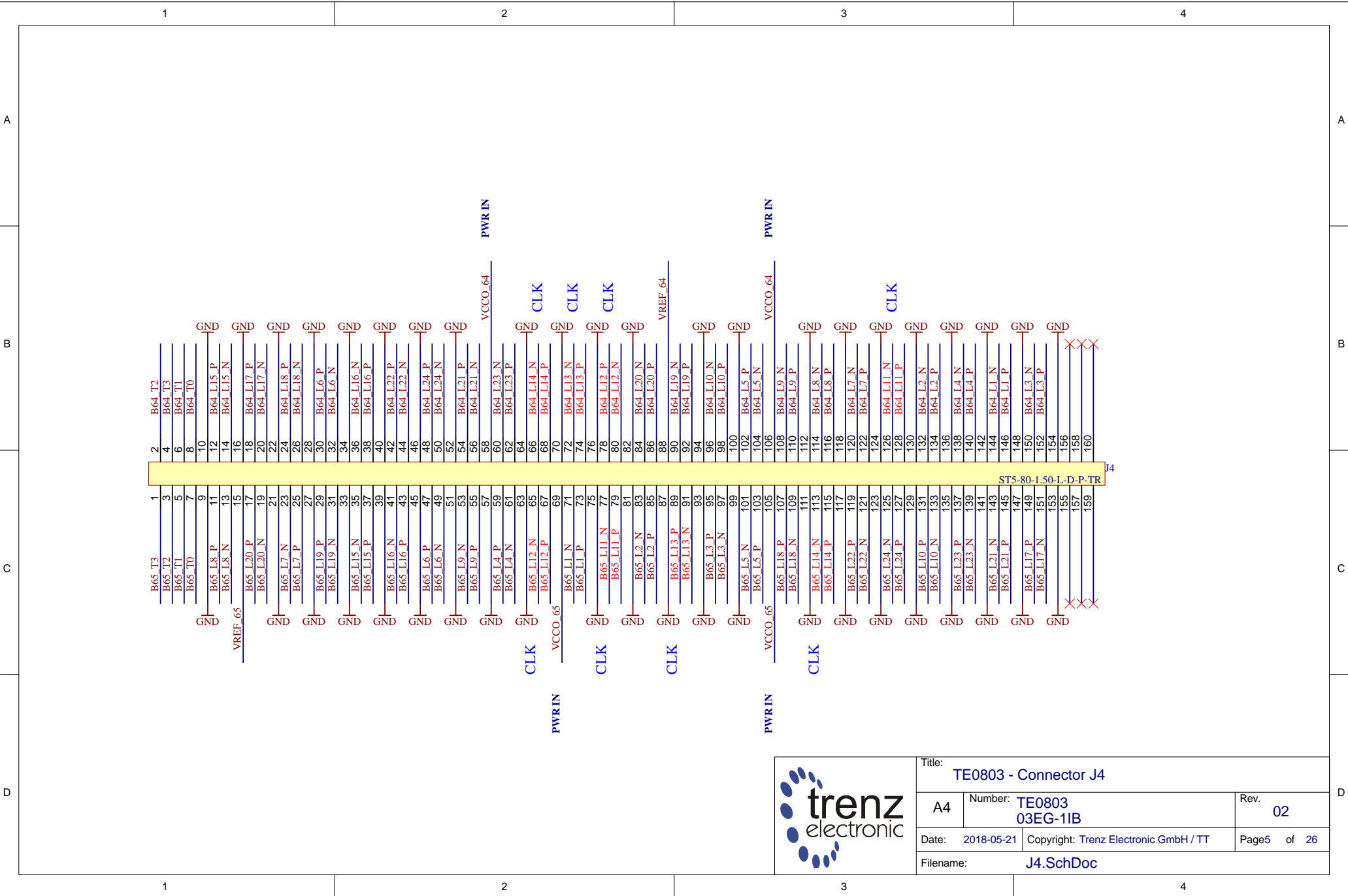
3

4

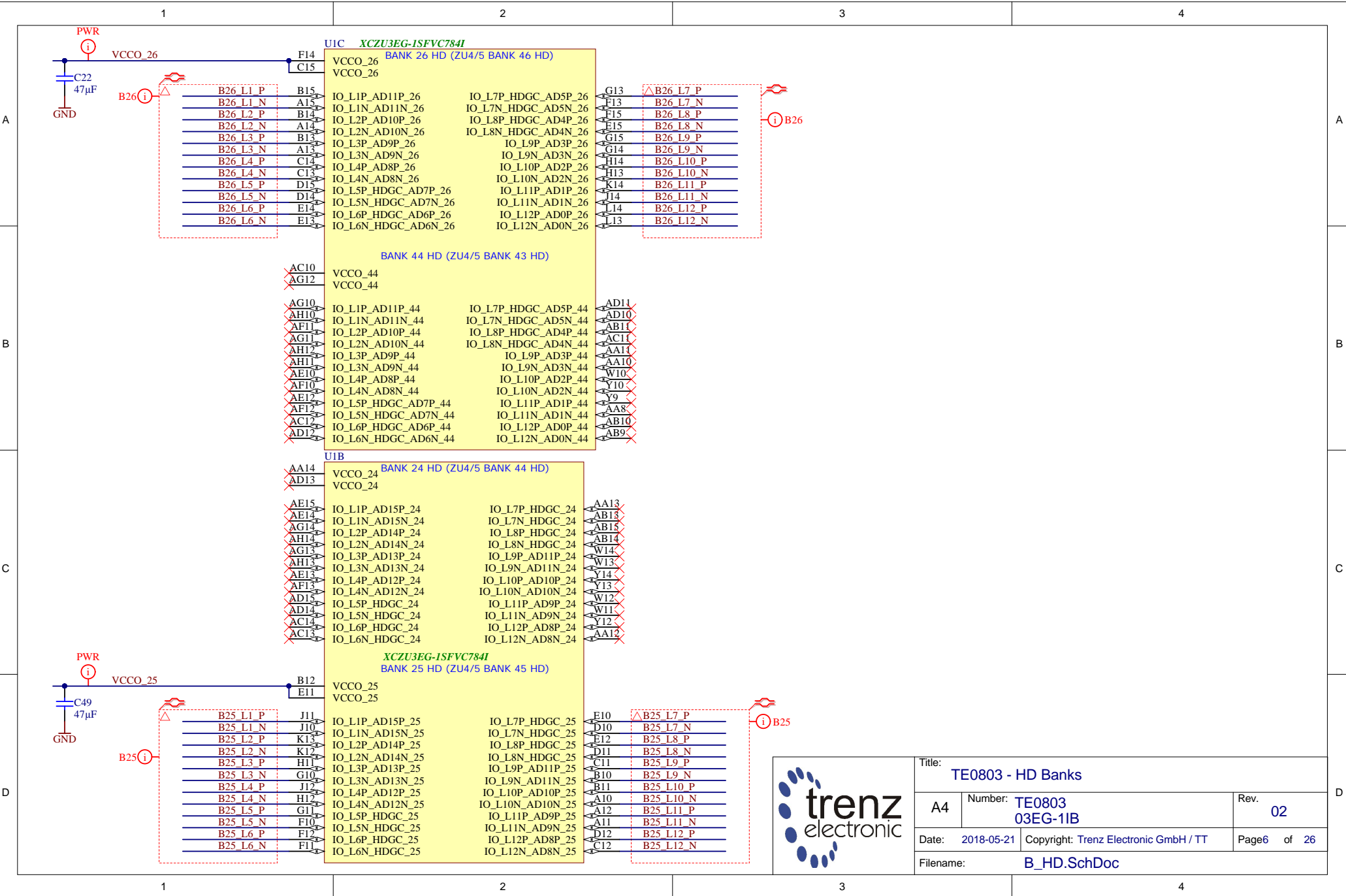


**trenz electronic**

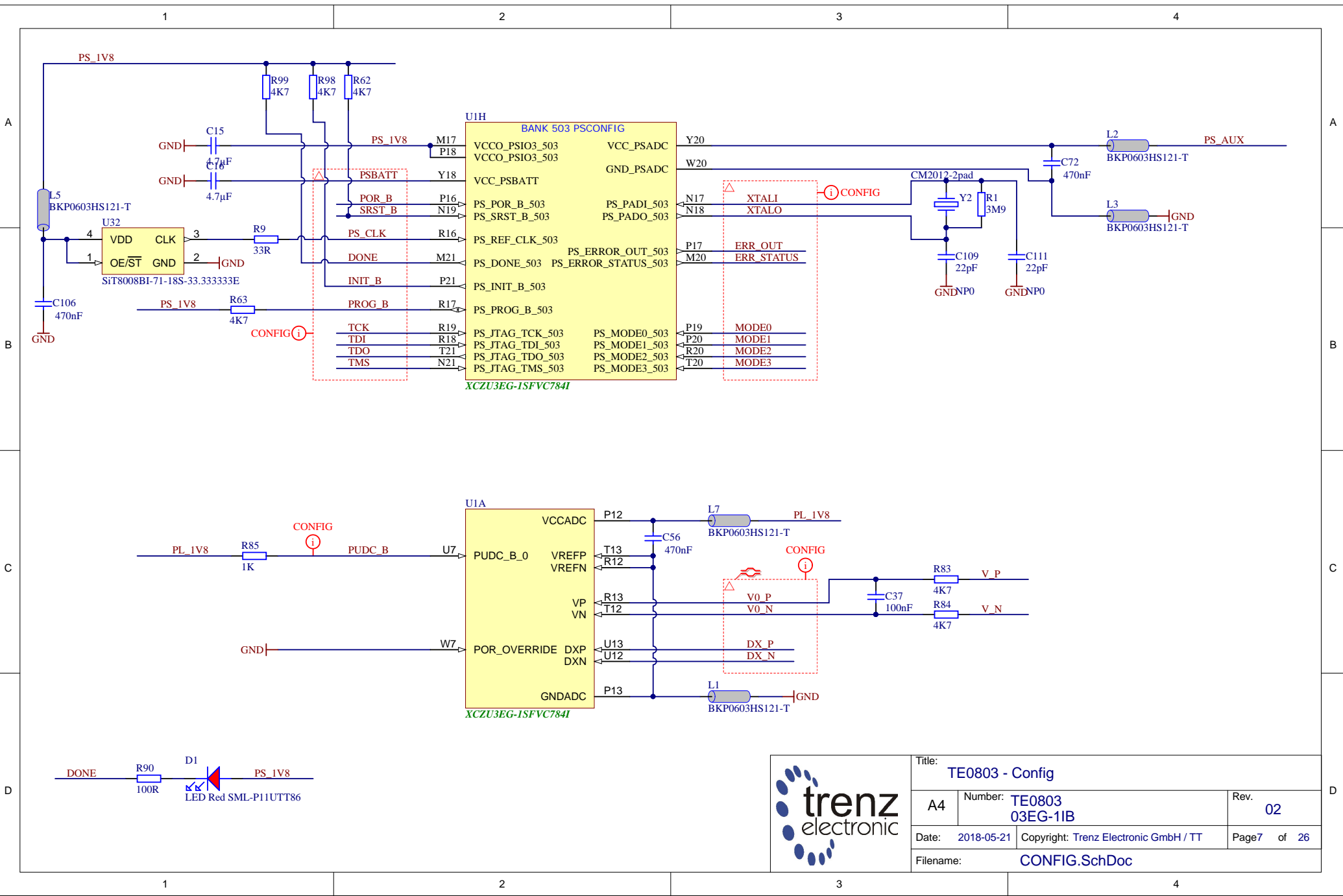
Title: TE0803 - Connector J3		
A4	Number: TE0803 03EG-11B	Rev. 02
Date: 2018-05-21	Copyright: Trenz Electronic GmbH / TT	Page4 of 26
Filename: J3.SchDoc		



Title: TE0803 - Connector J4		
A4	Number: TE0803 03EG-11B	Rev. 02
Date: 2018-05-21	Copyright: Trenz Electronic GmbH / TT	Page5 of 26
Filename: J4.SchDoc		



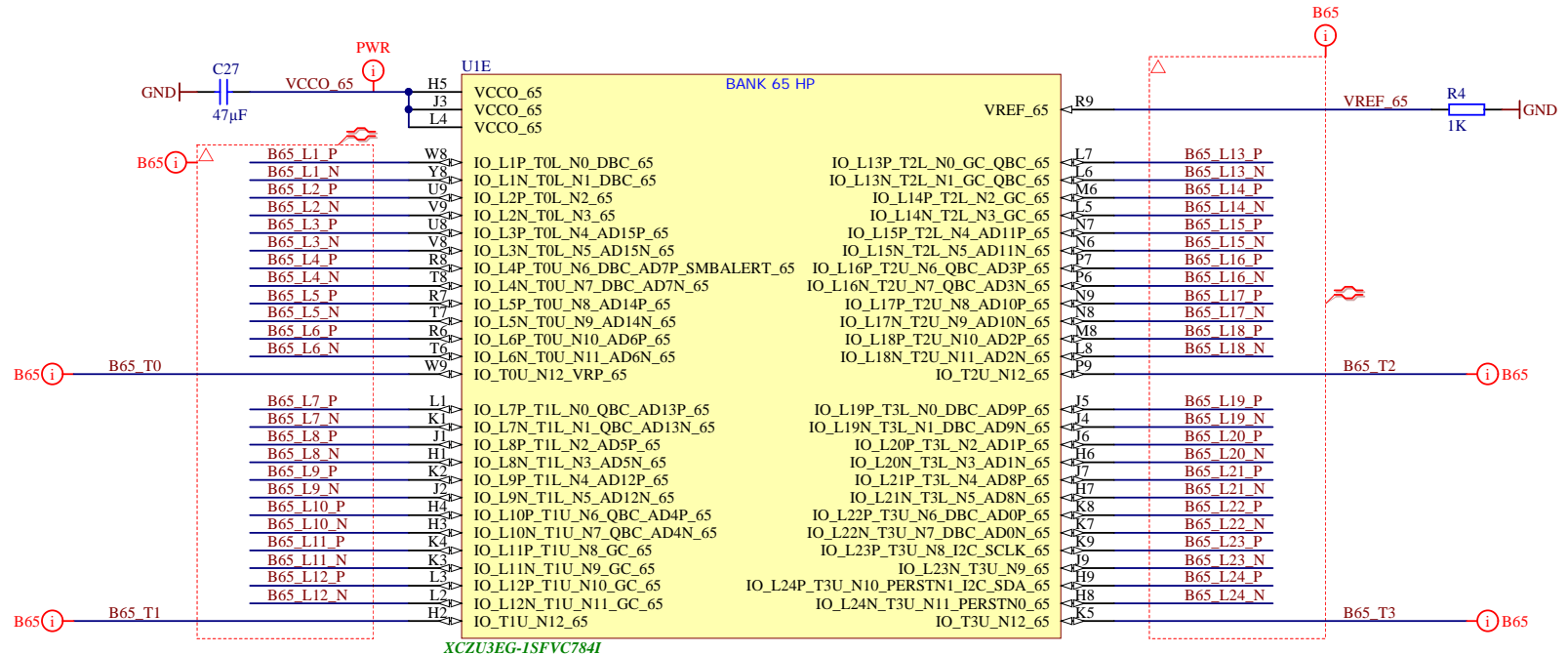
Title: TE0803 - HD Banks		
A4	Number: TE0803 03EG-1IB	Rev. 02
Date: 2018-05-21	Copyright: Trenz Electronic GmbH / TT	Page6 of 26
Filename: B_HD.SchDoc		



Title: TE0803 - Config		
A4	Number: TE0803 03EG-1IB	Rev. 02
Date: 2018-05-21	Copyright: Trenz Electronic GmbH / TT	Page7 of 26
Filename: CONFIG.SchDoc		







	Title: TE0803 - B65	
	A4	Number: TE0803 03EG-1IB
	Date: 2018-05-21	Copyright: Trenz Electronic GmbH / TT
	Rev. 02	Page9 of 26
Filename: B65.SchDoc		

1

2

3

4

A

A

B

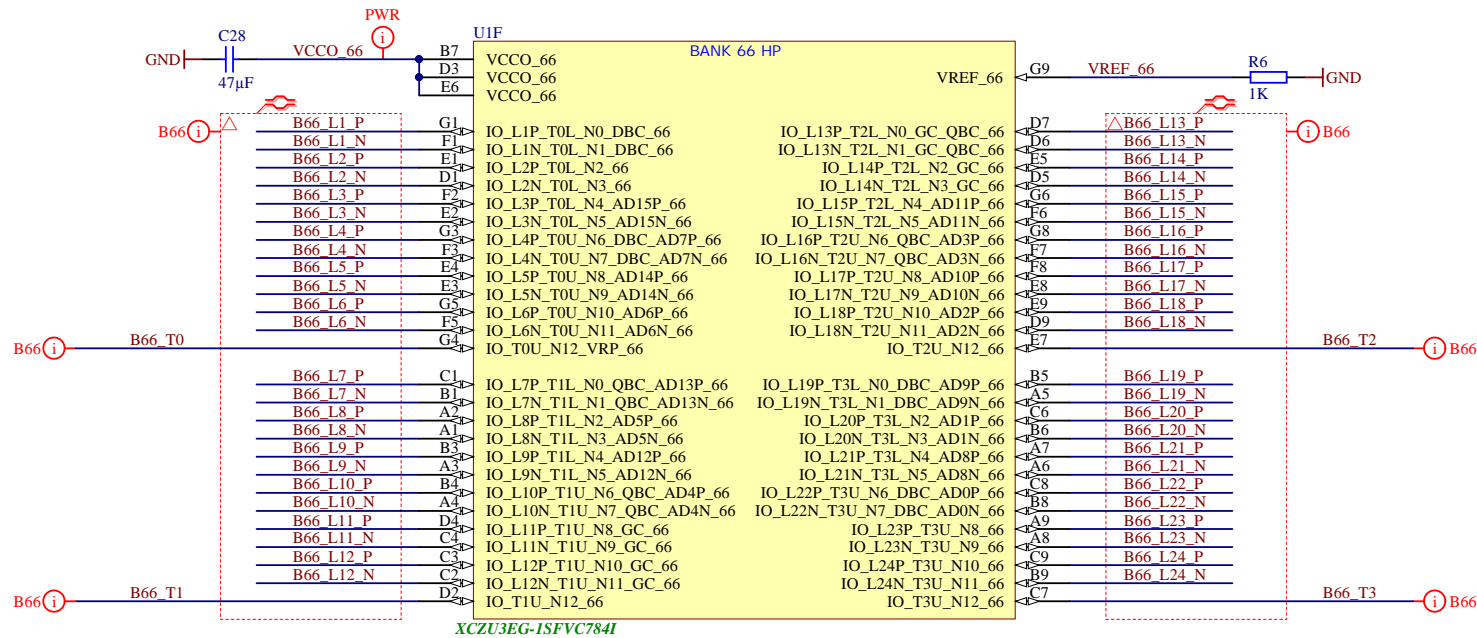
B

C

C

D

D



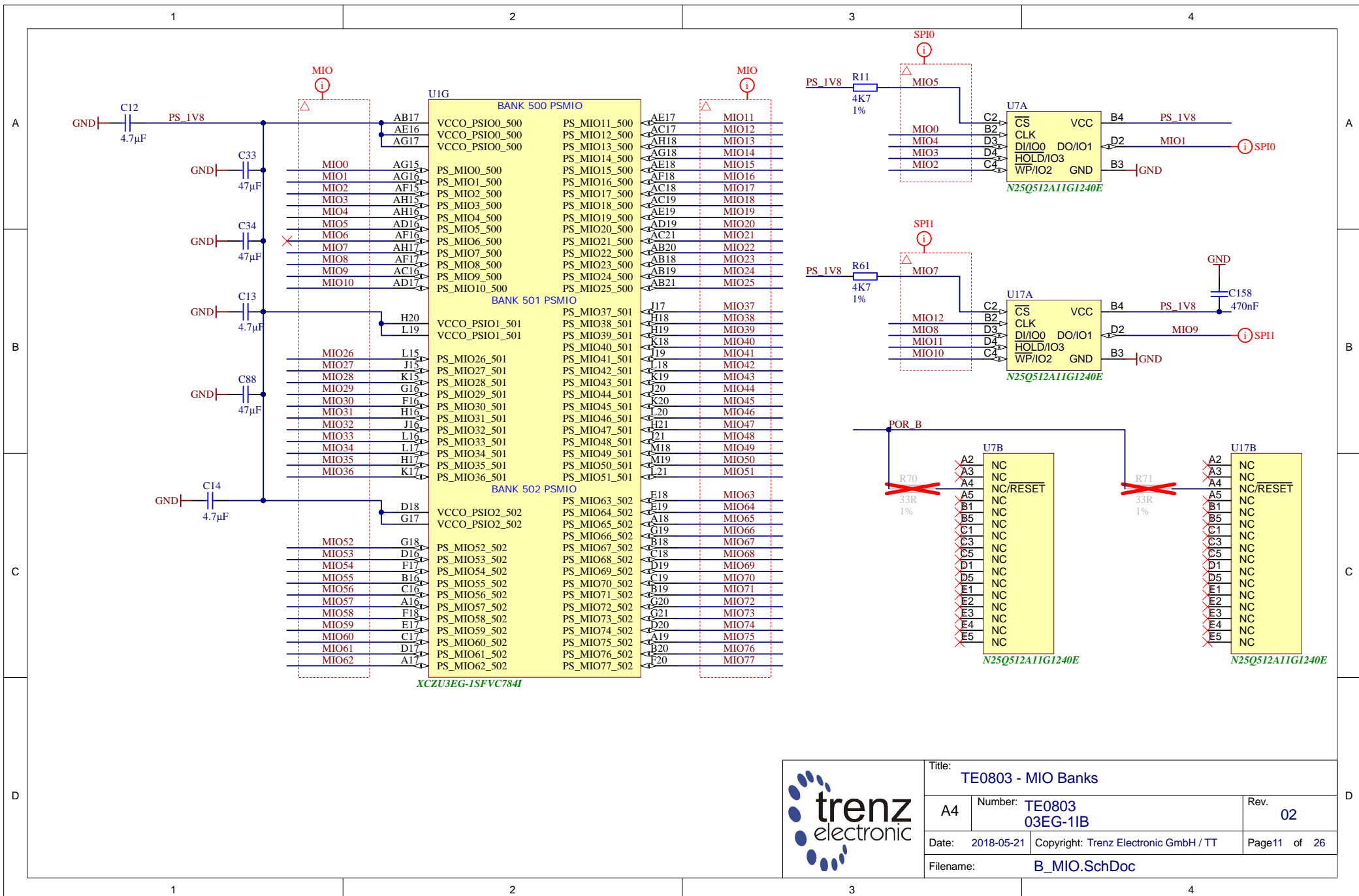
Title: TE0803 - B66		
A4	Number: TE0803 03EG-1IB	Rev. 02
Date: 2018-05-21	Copyright: Trenz Electronic GmbH / TT	Page10 of 26
Filename: B66.SchDoc		

1

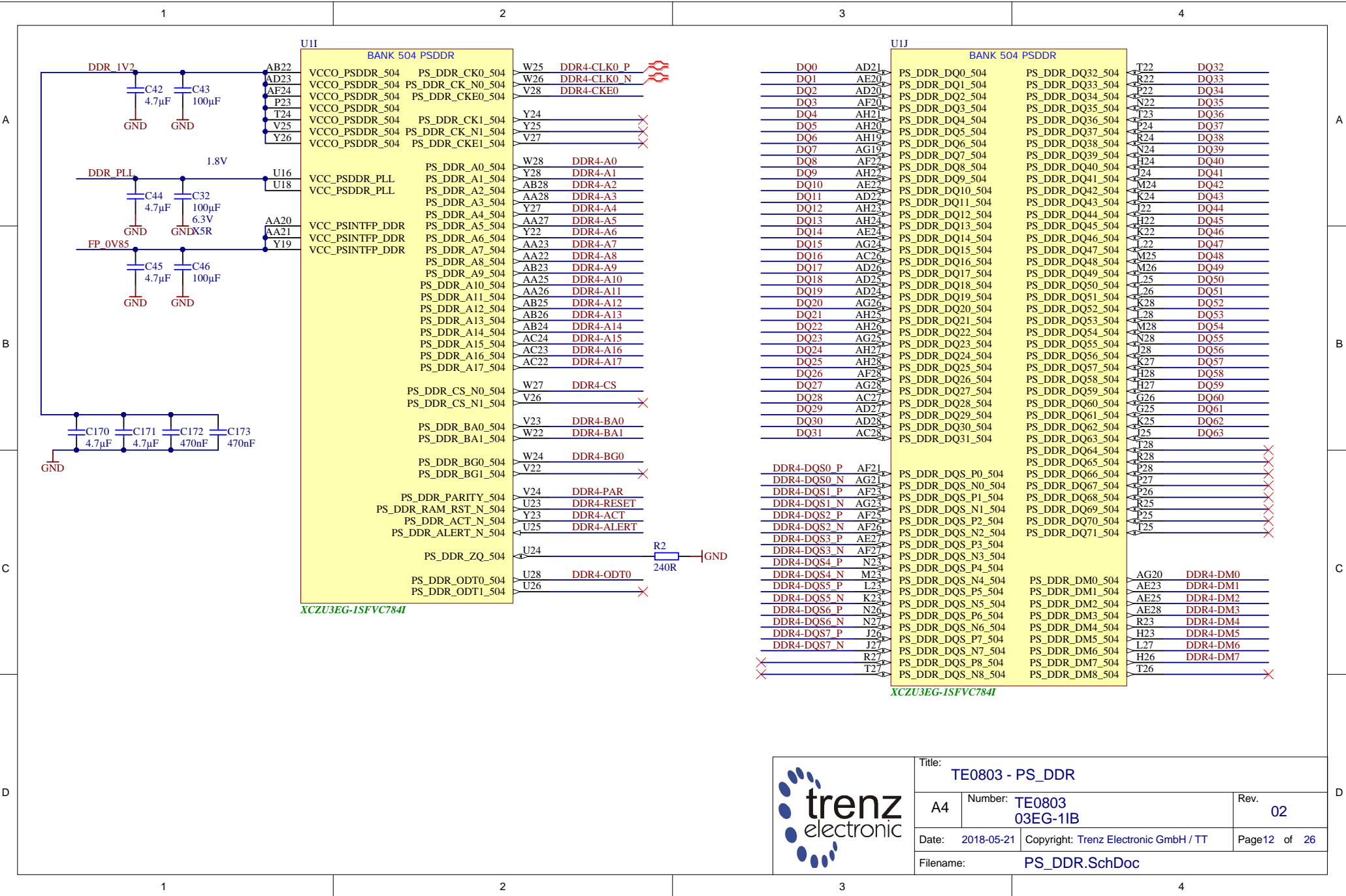
2

3

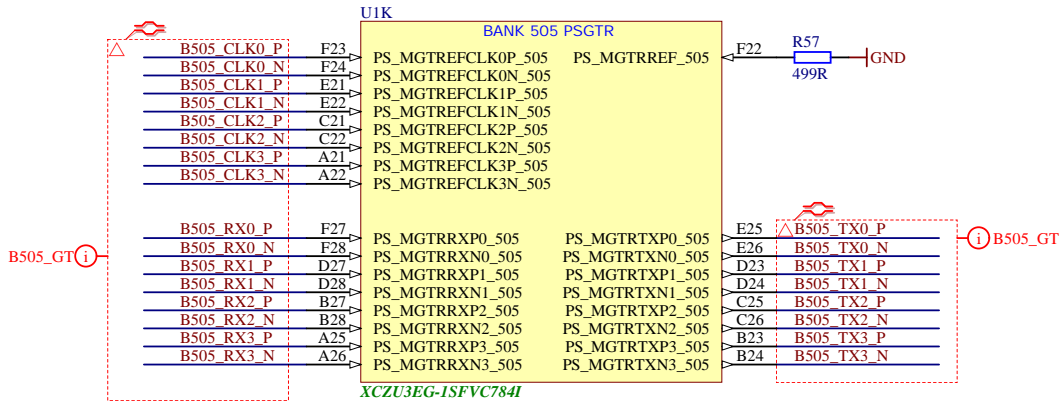
4




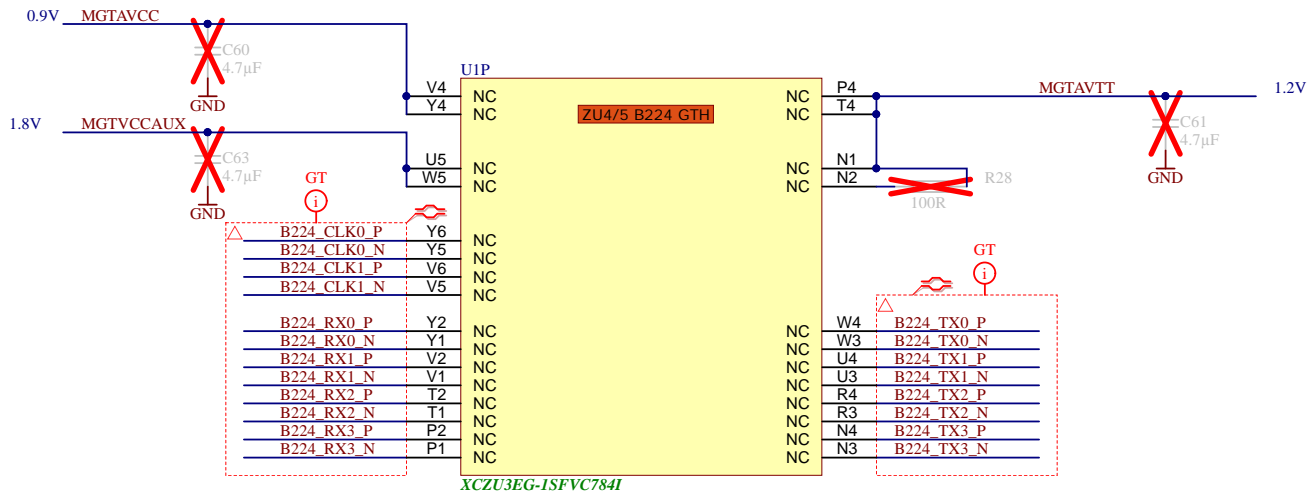
	Title: TE0803 - MIO Banks	
	A4	Number: TE0803 03EG-1IB
	Date: 2018-05-21	Copyright: Trenz Electronic GmbH / TT
	Filename: B_MIO.SchDoc	Page 11 of 26
Rev. 02		



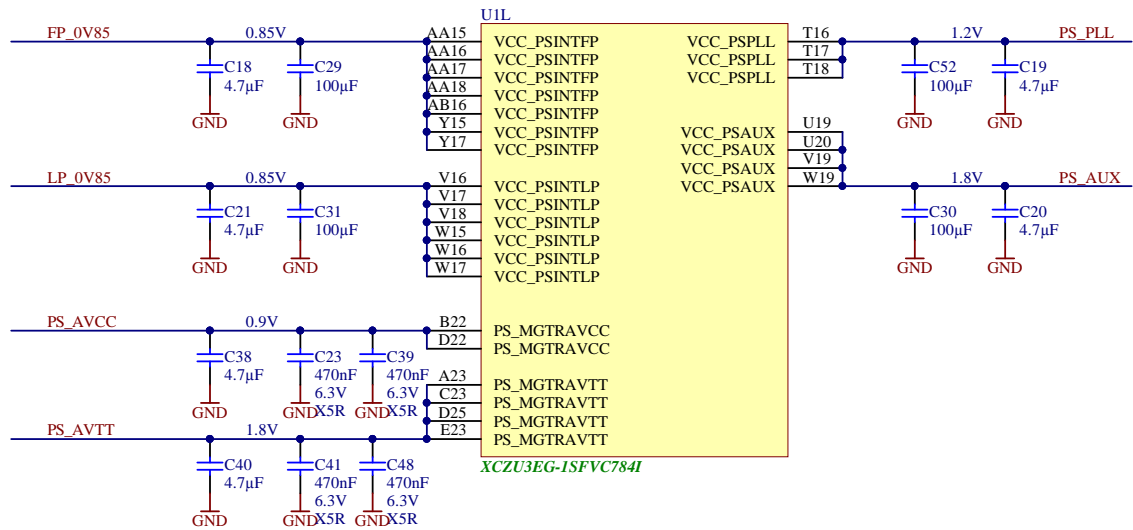
Title: TE0803 - PS_DDR		
A4	Number: TE0803 03EG-1IB	Rev. 02
Date: 2018-05-21	Copyright: Trenz Electronic GmbH / TT	Page 12 of 26
Filename: PS_DDR.SchDoc		



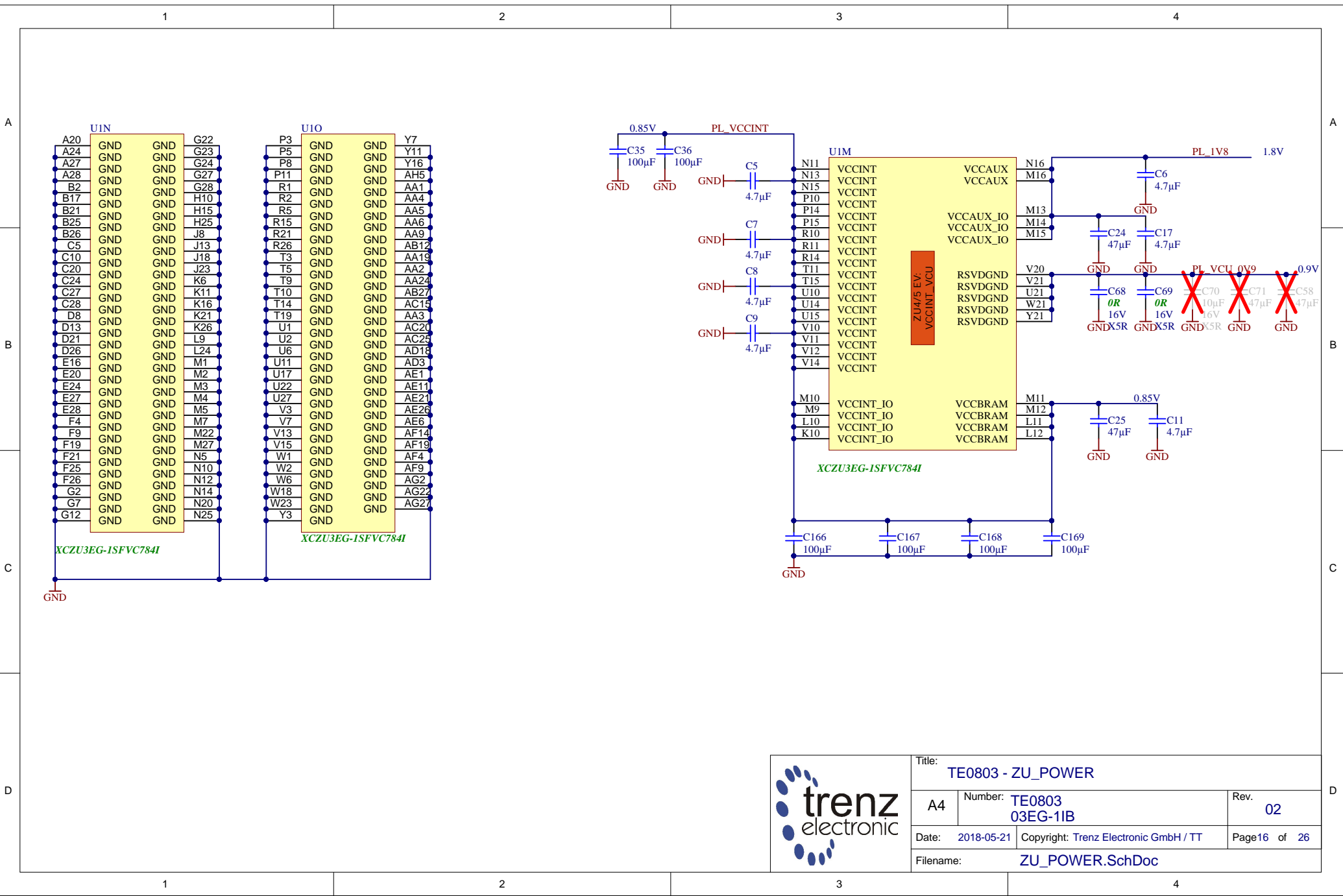
		Title: TE0803 - PS_GT	
		A4	Number: TE0803 03EG-1IB
Date: 2018-05-21		Copyright: Trenz Electronic GmbH / TT	
Filename: B_PS_GT.SchDoc		Page13 of 26	




Title: TE0803 - B224GTH		
A4	Number: TE0803 03EG-1IB	Rev. 02
Date: 2018-05-21	Copyright: Trenz Electronic GmbH / TT	Page 14 of 26
Filename: B_GT.SchDoc		



Title: TE0803 - ZU_PS_POWER		
A4	Number: TE0803 03EG-1IB	Rev. 02
Date: 2018-05-21	Copyright: Trenz Electronic GmbH / TT	Page15 of 26
Filename: ZU_PS_POWER.SchDoc		



			Title: TE0803 - ZU_POWER	
			A4	Number: TE0803 03EG-1IB
Date: 2018-05-21		Copyright: Trenz Electronic GmbH / TT		Page 16 of 26
Filename: ZU_POWER.SchDoc				



1

2

3

4

A

A

B

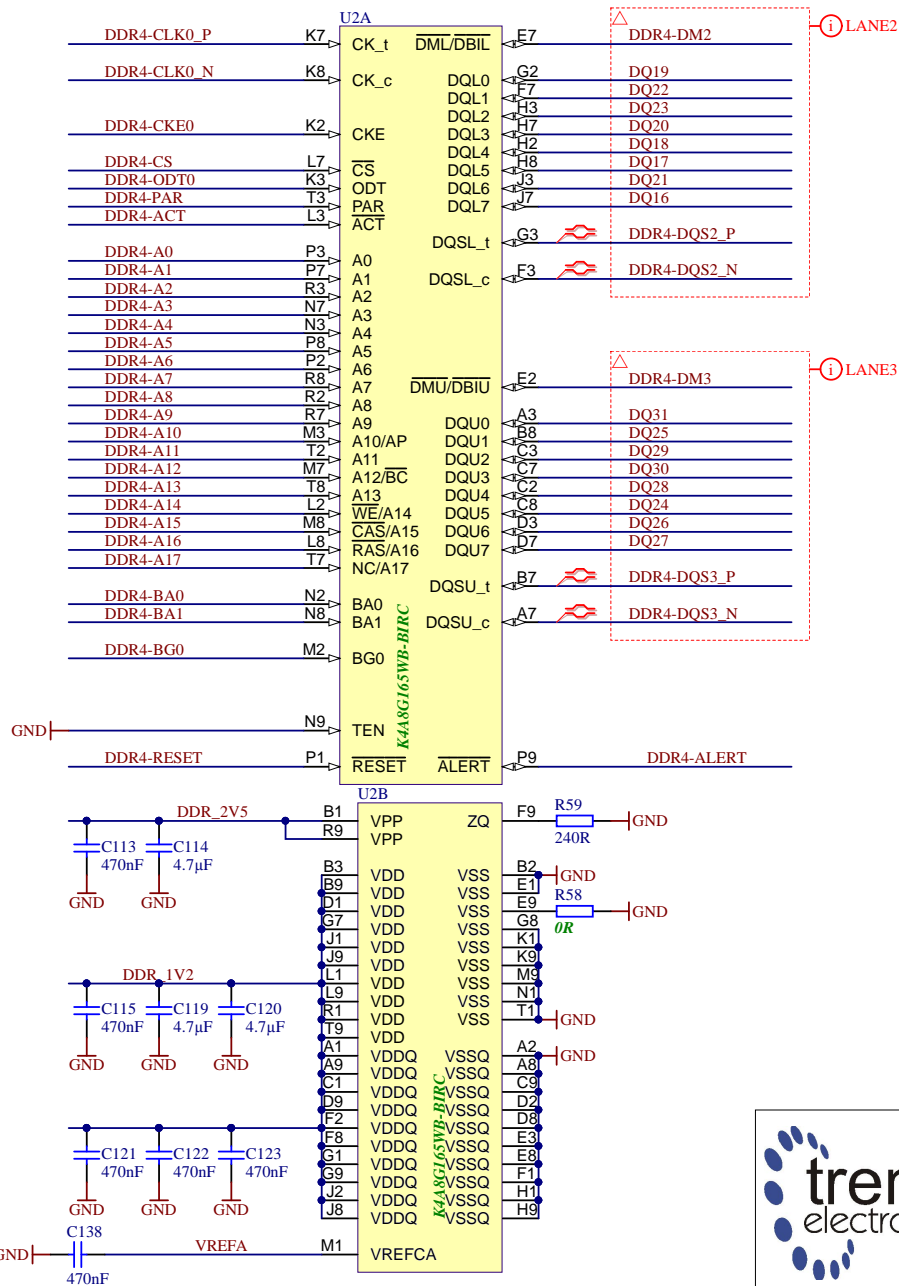

B

C

C

D

D

Title: TE0803 - DDR4_1_RAM		
A4	Number: TE0803 03EG-1IB	Rev. 02
Date: 2018-05-21	Copyright: Trenz Electronic GmbH / TT	Page 17 of 26
Filename: DDR4-RAM.SchDoc		

1

2

3

4

1

2

3

4

A

A

B

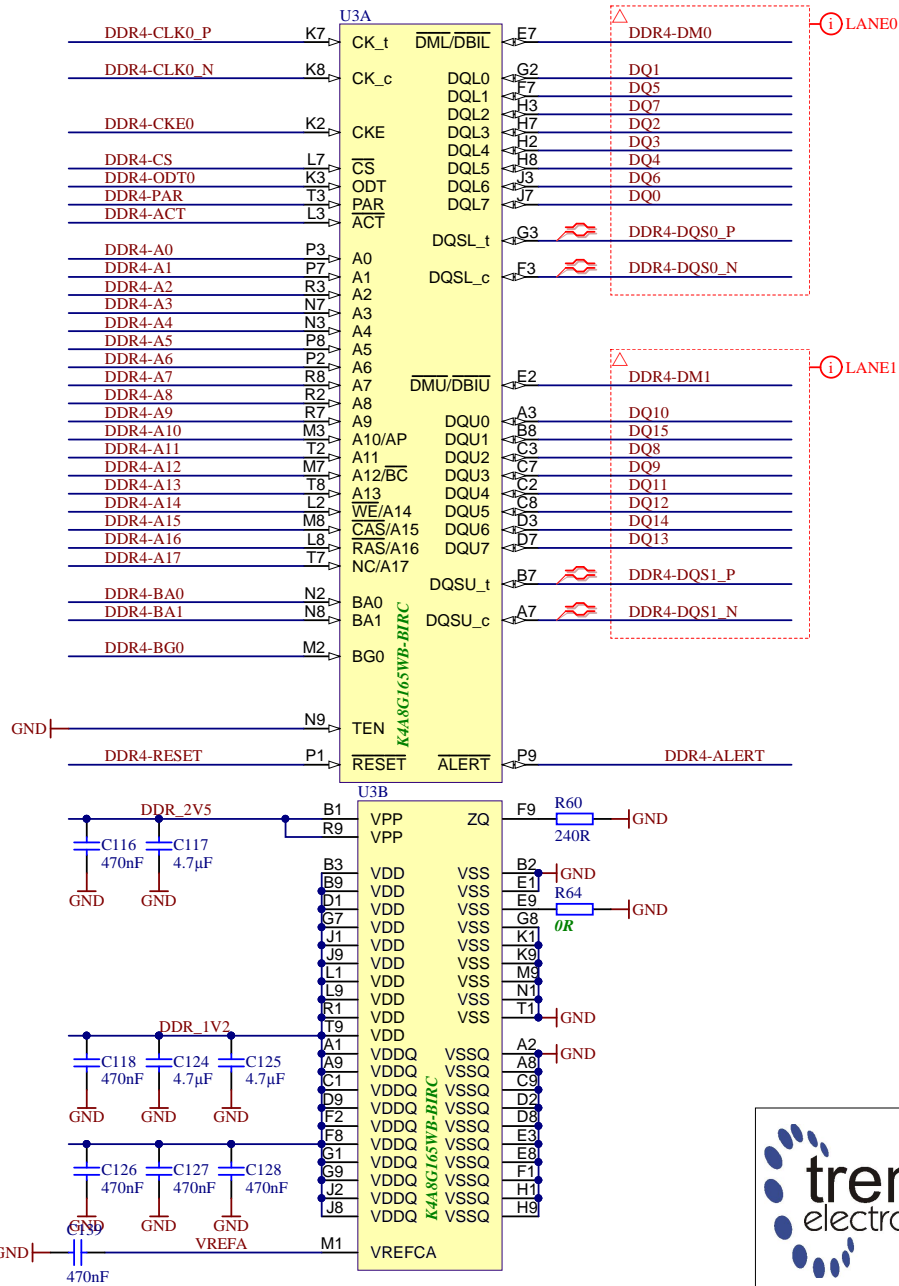
B

C

C

D

D



Title: TE0803 - DDR4_2_RAM		
A4	Number: TE0803 03EG-1IB	Rev. 02
Date: 2018-05-21	Copyright: Trenz Electronic GmbH / TT	Page18 of 26
Filename: DDR4-RAM_2.SchDoc		

1

2

3

4

1

2

3

4

A

A

B

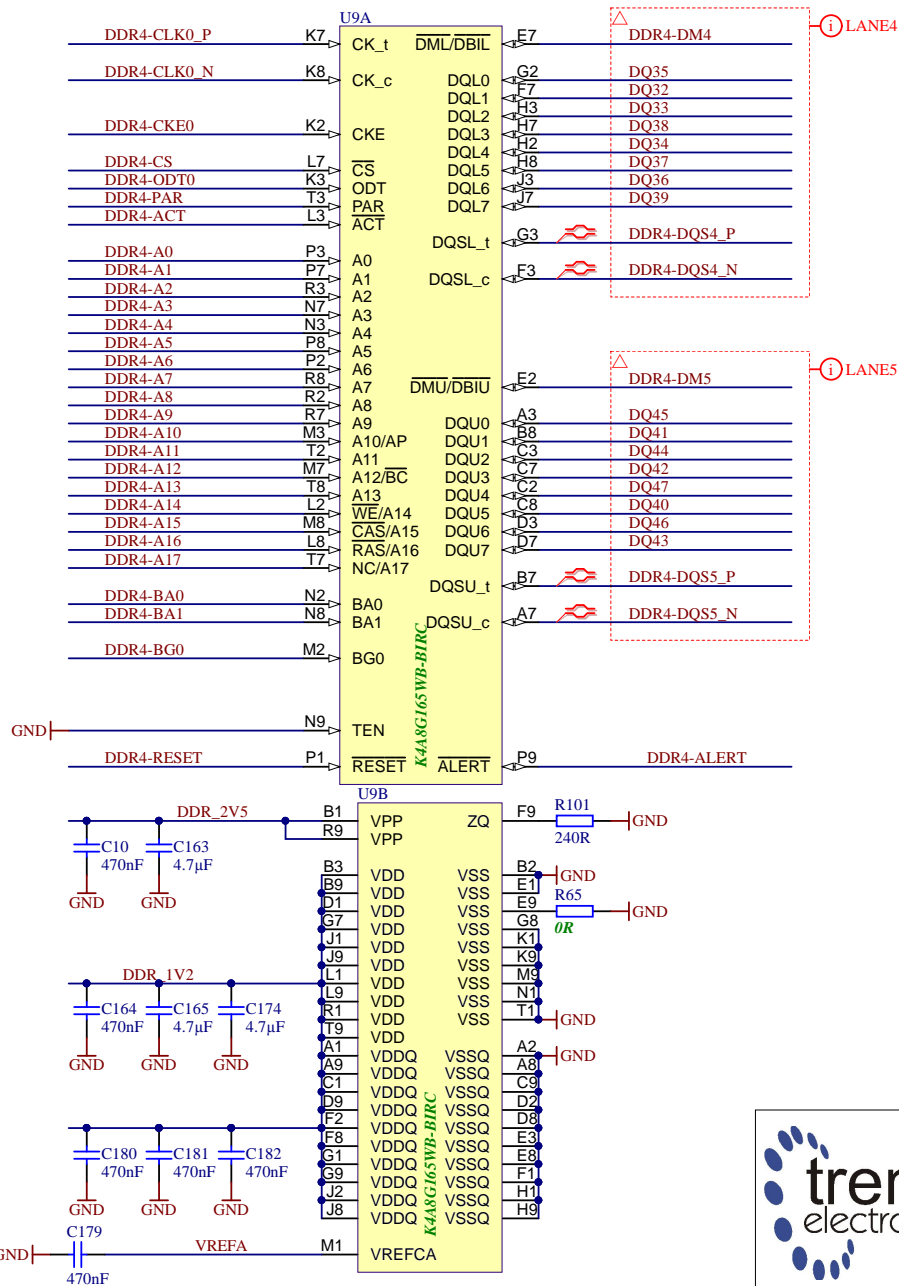

B

C

C

D

D

Title: TE0803 - DDR4_3_RAM		
A4	Number: TE0803 03EG-11B	Rev. 02
Date: 2018-05-21	Copyright: Trenz Electronic GmbH / TT	Page 19 of 26
Filename: DDR4-RAM_3.SchDoc		

1

2

3

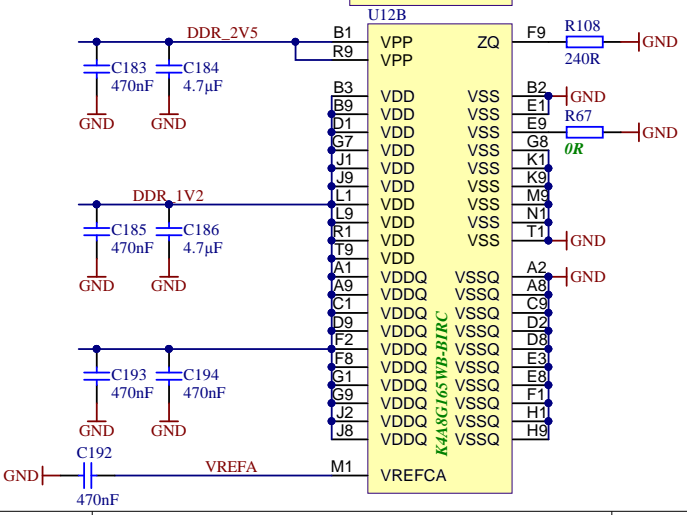
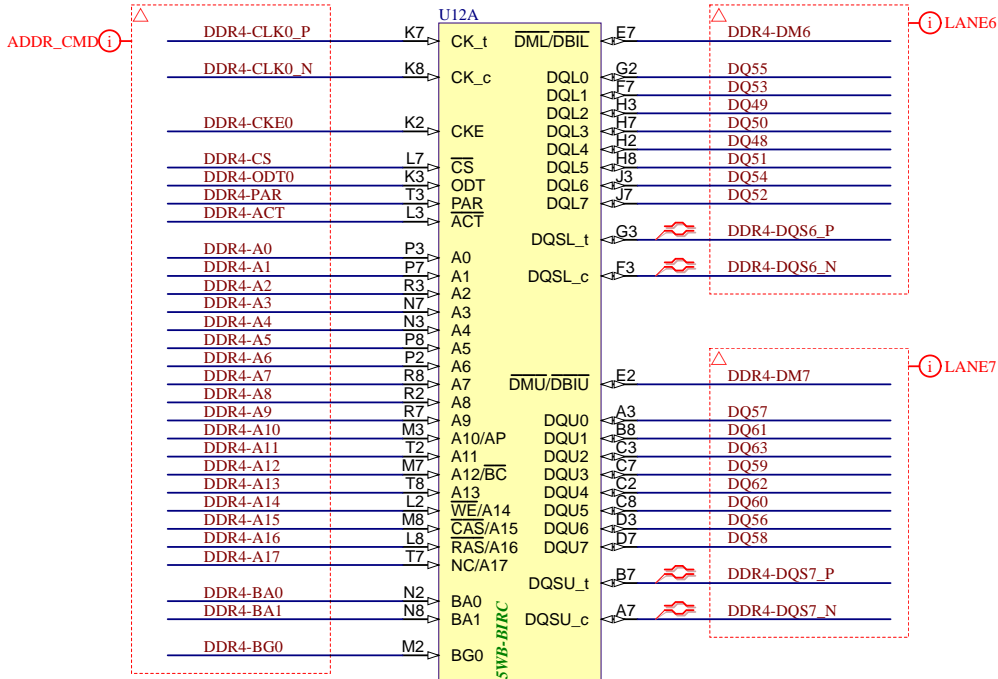
4

1

2

3

4



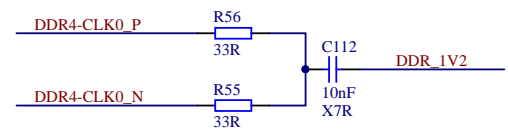
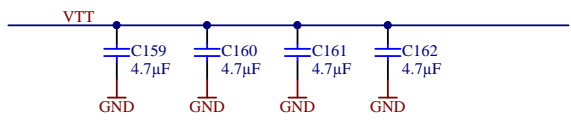
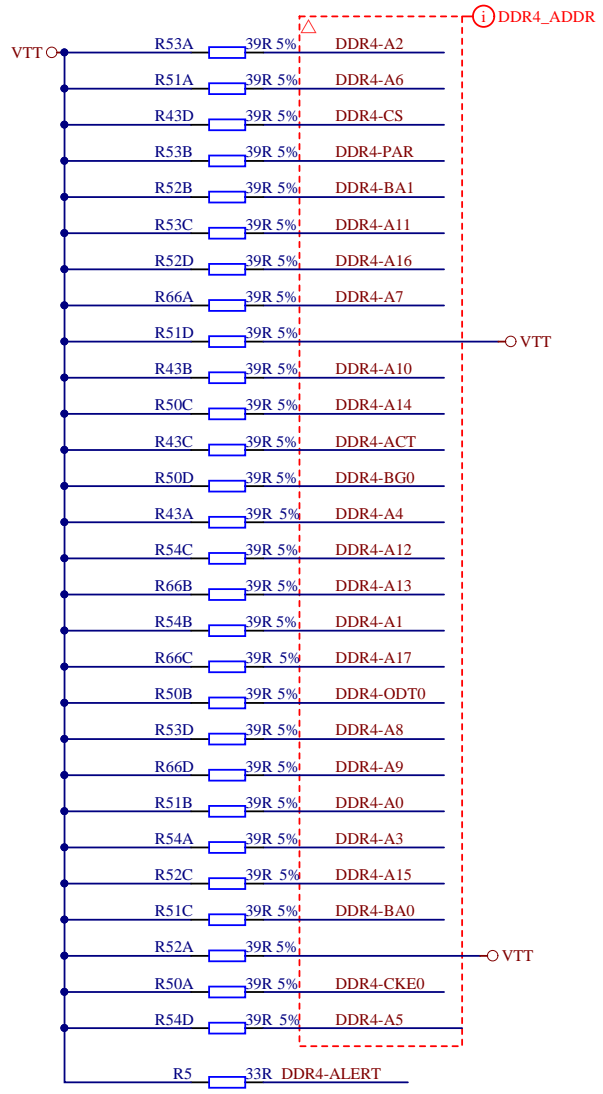
Title: TE0803 - DDR4_4_RAM		
A4	Number: TE0803 03EG-1IB	Rev. 02
Date: 2018-05-21	Copyright: Trenz Electronic GmbH / TT	Page20 of 26
Filename: DDR4-RAM_4.SchDoc		

1

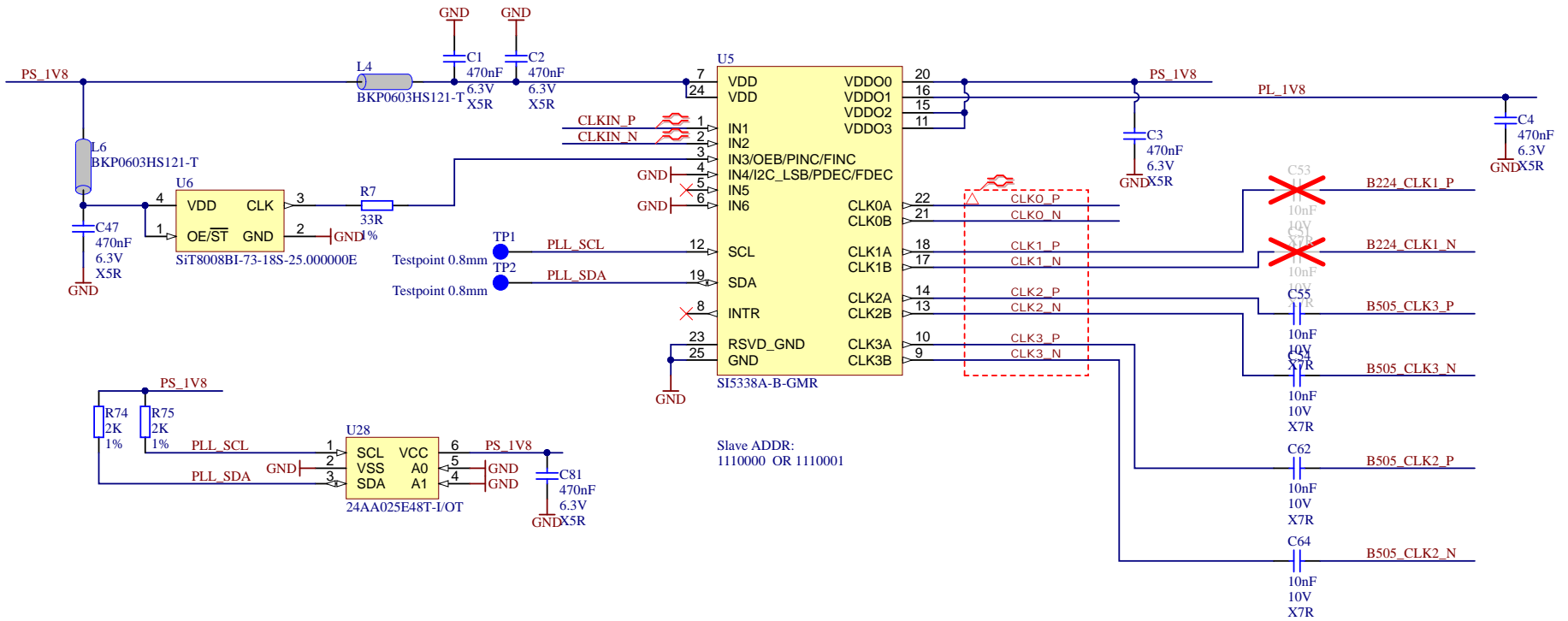
2


3

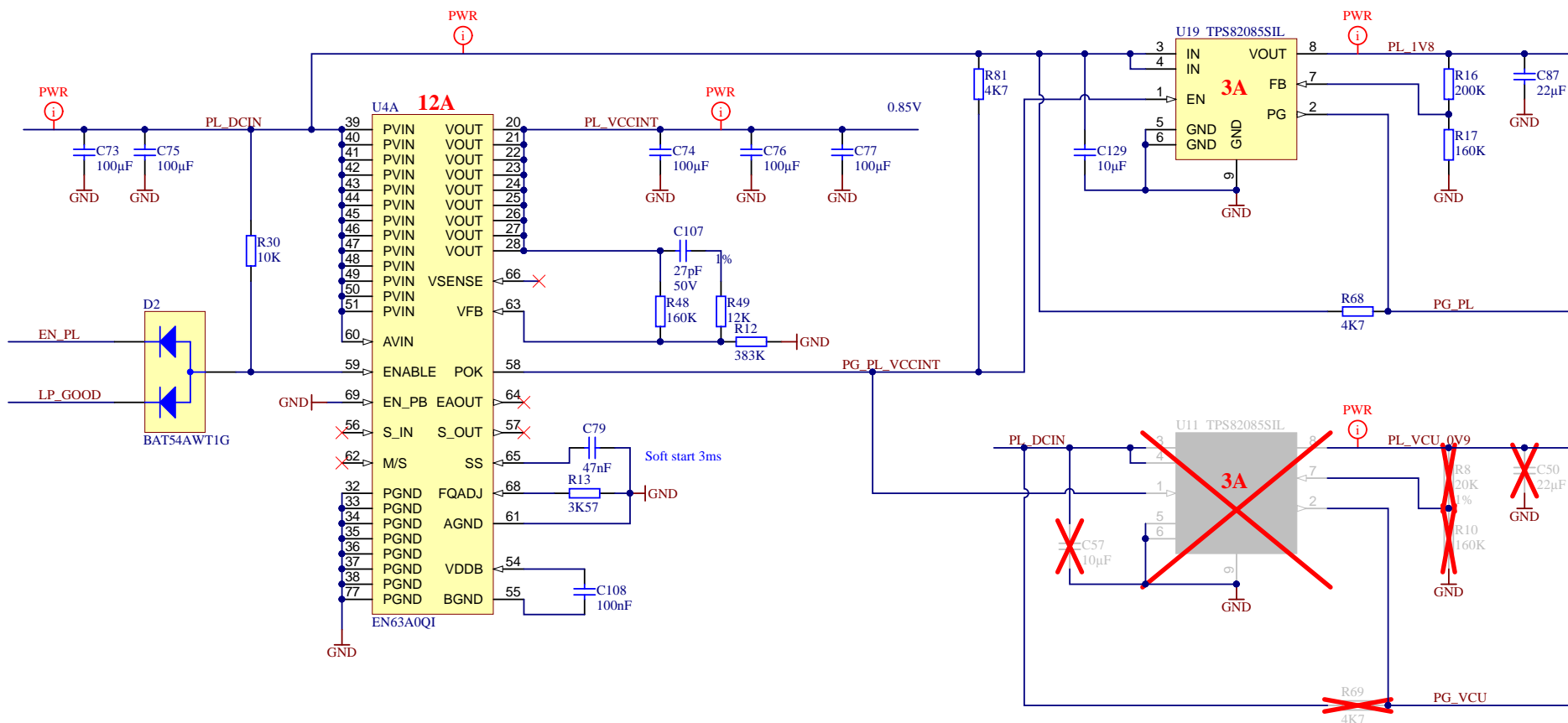
4



Title: TE0803 - DDR4_TERM		
A4	Number: TE0803 03EG-1IB	Rev. 02
Date: 2018-05-21	Copyright: Trenz Electronic GmbH / TT	Page21 of 26
Filename: DDR4-TERM.SchDoc		




		Title: TE0803 - CLOCK	
		A4	Number: TE0803 03EG-1IB
Date: 2018-05-21		Copyright: Trenz Electronic GmbH / TT	
Filename: Clock.SchDoc		Page22 of 26	

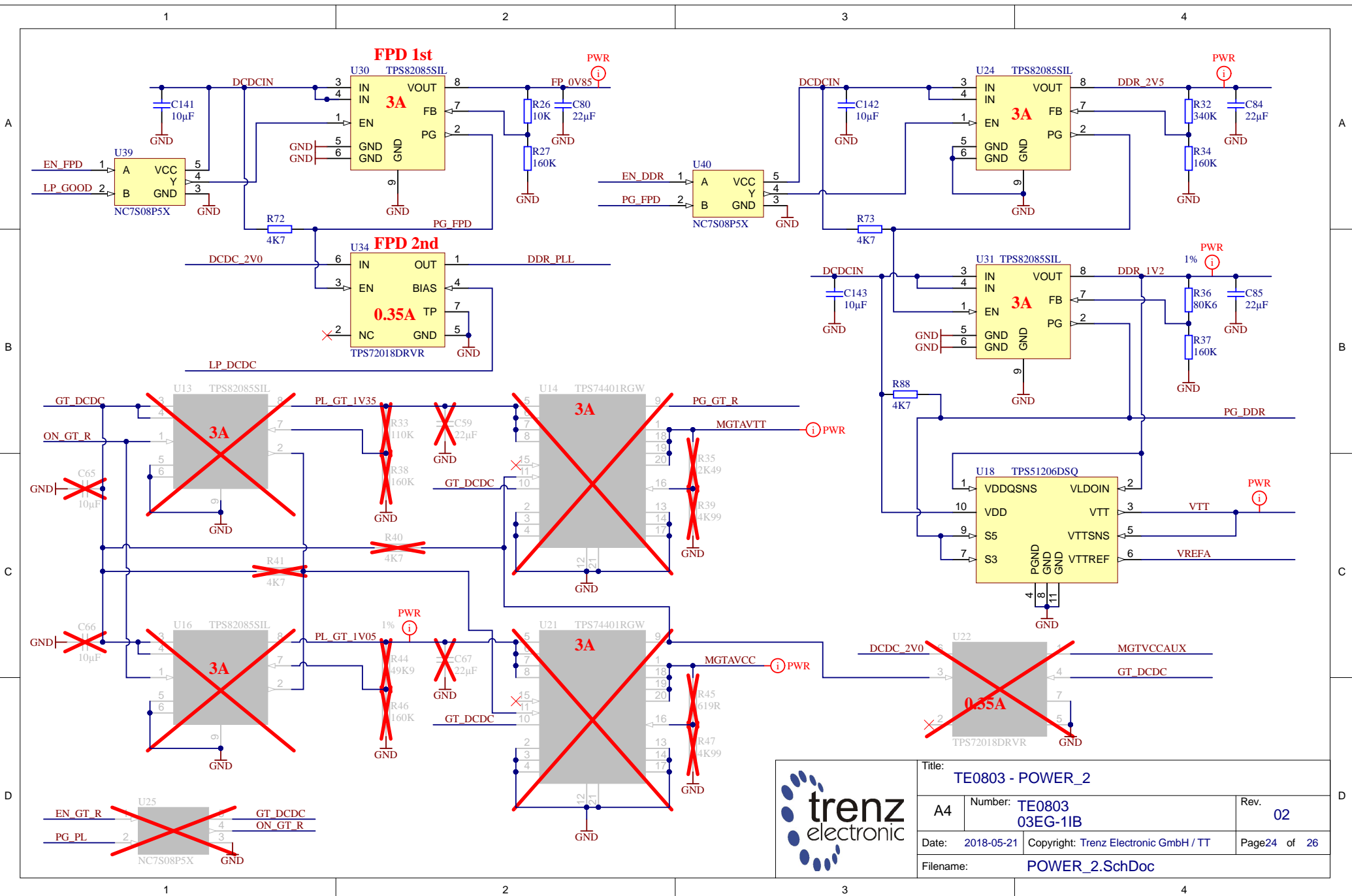


U4B  
EN63A0QI

1	NC	NC	17
2	NC	NC	18
3	NC	NC	19
4	NC	NC	29
5	NC	NC	30
6	NC	NC(SW)	31
7	NC	NC(SW)	52
8	NC	NC	53
9	NC	NC	67
10	NC	NC(SW)	70
11	NC	NC(SW)	71
12	NC	NC(SW)	72
13	NC	NC	73
14	NC	NC	74
15	NC	NC	75
16	NC	NC	76

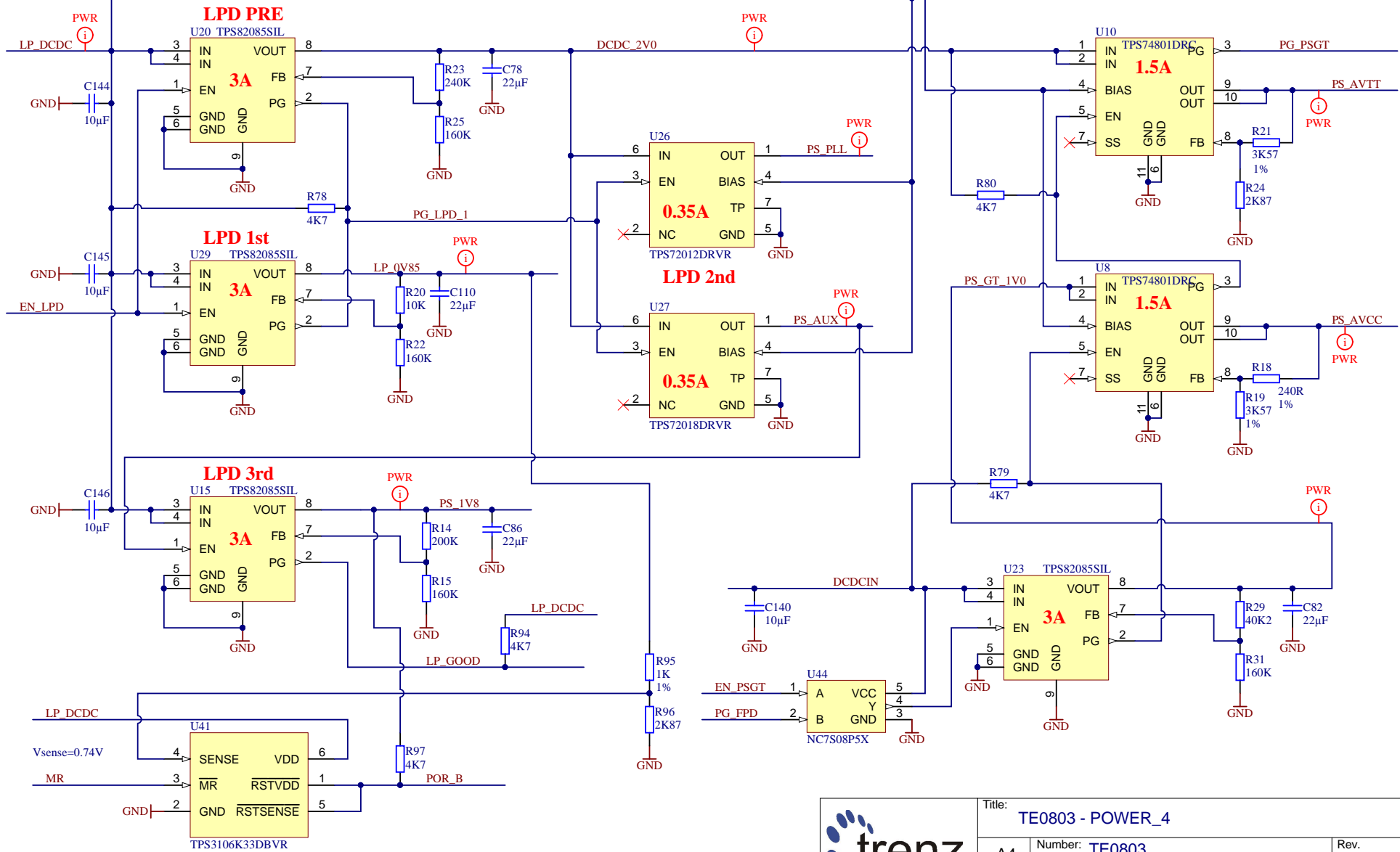


Title: TE0803 - POWER		
A4	Number: TE0803 03EG-1IB	Rev. 02
Date: 2018-05-21	Copyright: Trenz Electronic GmbH / TT	Page23 of 26
Filename: POWER.SchDoc		



Title: TE0803 - POWER_2		
A4	Number: TE0803 03EG-11B	Rev. 02
Date: 2018-05-21	Copyright: Trenz Electronic GmbH / TT	Page24 of 26
Filename: POWER_2.SchDoc		





Title: TE0803 - POWER_4		
A4	Number: TE0803 03EG-11B	Rev. 02
Date: 2018-05-21	Copyright: Trenz Electronic GmbH / TT	Page25 of 26
Filename: POWER_4.SchDoc		

1

2

3

4

CHANGES REV01a (20.11.2017):

1) VCU voltage set to 0.9V, R20 changed to 40K , PL\_VCU\_1V0 renamed to PL\_VCU\_0V9.

CHANGES REV02 (20.06.2018):

- 1) Added LDO to DDR\_PLL
- 2) All differential pairs wath length matched with tollerance 0.1mm (excluding package delays)
- 3) Added MAC EEPROM U28
- 4) VPS\_MGTRAVCC set to 0.85V
- 5) Added pull-up resistors R68,R69

A

A

B

B

C

C

D

D



Title: TE0803 - Changes list		
A4	Number: TE0803 03EG-1IB	Rev. 02
Date: 2018-05-21	Copyright: Trenz Electronic GmbH	Page26 of 26
Filename: Revision_Changes.SchDoc		

1

2

3

4