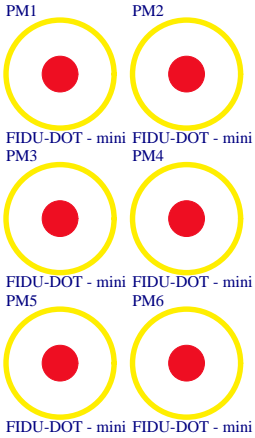
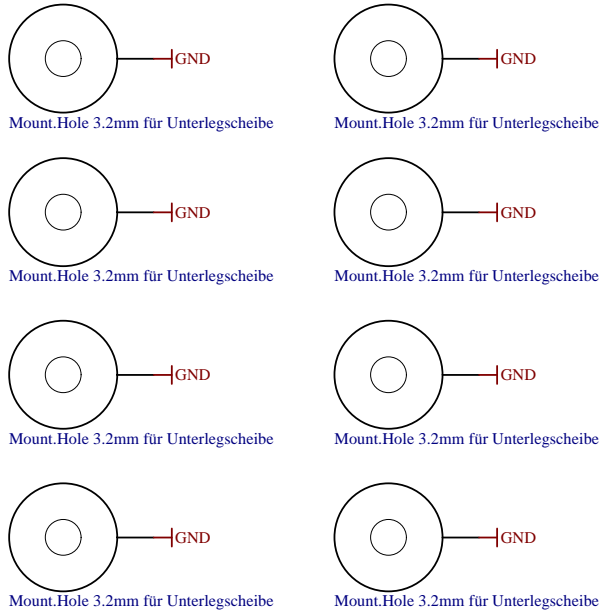
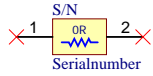


- | | | |
|---------------------------------|-----------------------------------|-------------------------------------|
| U_J1
J1.SchDoc | U_B_PS_GT
B_PS_GT.SchDoc | U_DDR4-TERM
DDR4-TERM.SchDoc |
| U_J2
J2.SchDoc | U_PS_DDR
PS_DDR.SchDoc | U_ZU_POWER
ZU_POWER.SchDoc |
| U_J3
J3.SchDoc | U_B_MIO
B_MIO.SchDoc | U_ZU_PS_POWER
ZU_PS_POWER.SchDoc |
| U_J4
J4.SchDoc | U_B_HD
B_HD.SchDoc | U_POWER
POWER.SchDoc |
| U_DDR4-TERM
DDR4-TERM.SchDoc | U_Clock
Clock.SchDoc | U_POWER_2
POWER_2.SchDoc |
| U_B64
B64.SchDoc | U_CONFIG
CONFIG.SchDoc | |
| U_B65
B65.SchDoc | U_DDR4-RAM
DDR4-RAM.SchDoc | U_POWER_4
POWER_4.SchDoc |
| U_B66
B66.SchDoc | U_DDR4-RAM_2
DDR4-RAM_2.SchDoc | U_REV_CH
Revision_Changes.SchDoc |
| U_B_GT
B_GT.SchDoc | U_DDR4-RAM_3
DDR4-RAM_3.SchDoc | |
| | U_DDR4-RAM_4
DDR4-RAM_4.SchDoc | |

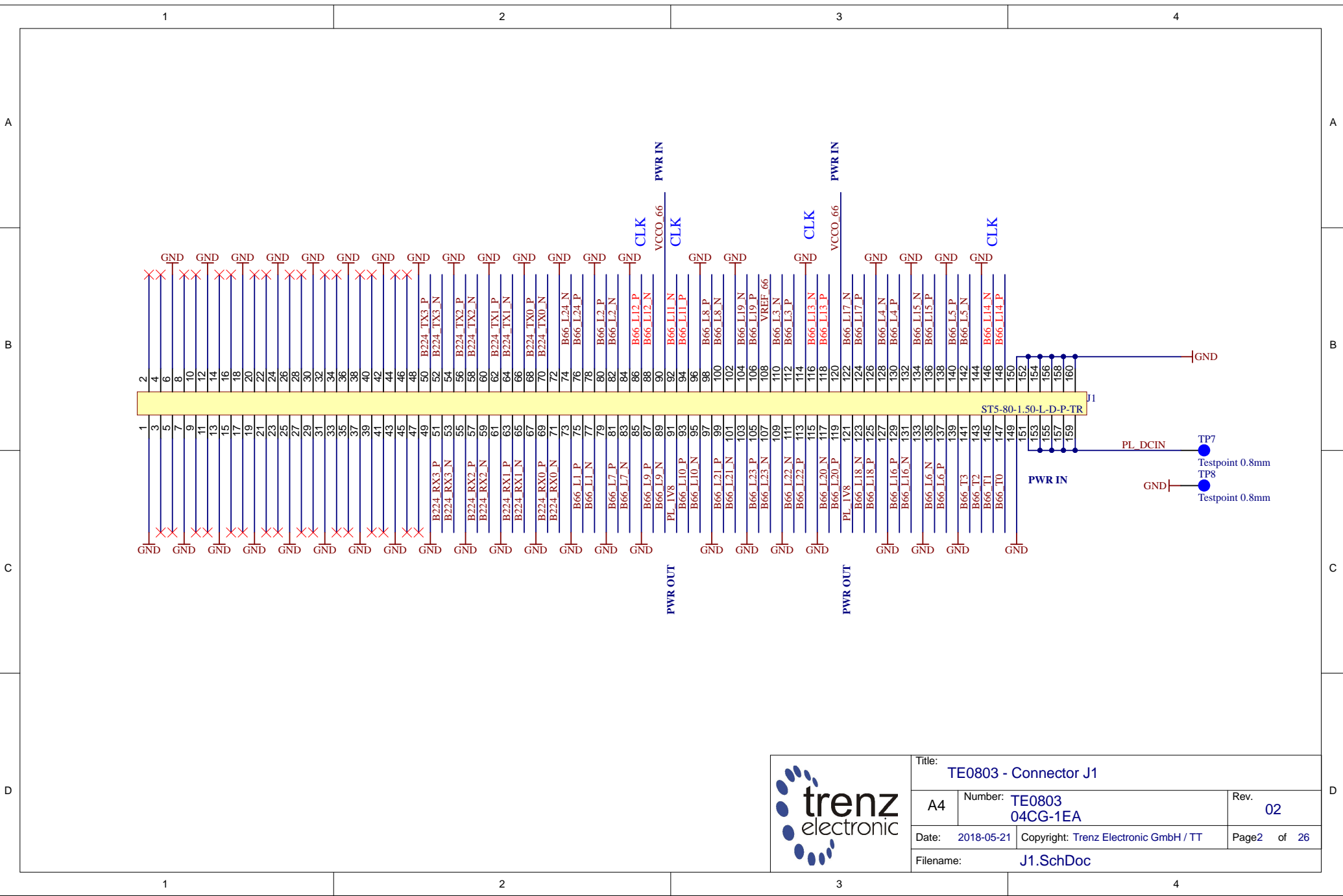



LOGO1
TE Logo PRINT Layer
LOGO PRINT

Serial
Serial
Serialnumber 6,3 x 6.3mm



			Title: TE0803	
			A4	Number: TE0803 04CG-1EA
Date: 2018-05-21		Copyright: Trenz Electronic GmbH / TT		Page1 of 26
Filename: TE0803.SchDoc				



	Title: TE0803 - Connector J1		
	A4	Number: TE0803 04CG-1EA	Rev. 02
	Date: 2018-05-21	Copyright: Trenz Electronic GmbH / TT	Page2 of 26
	Filename: J1.SchDoc		

1

2

3

4

A

A

B

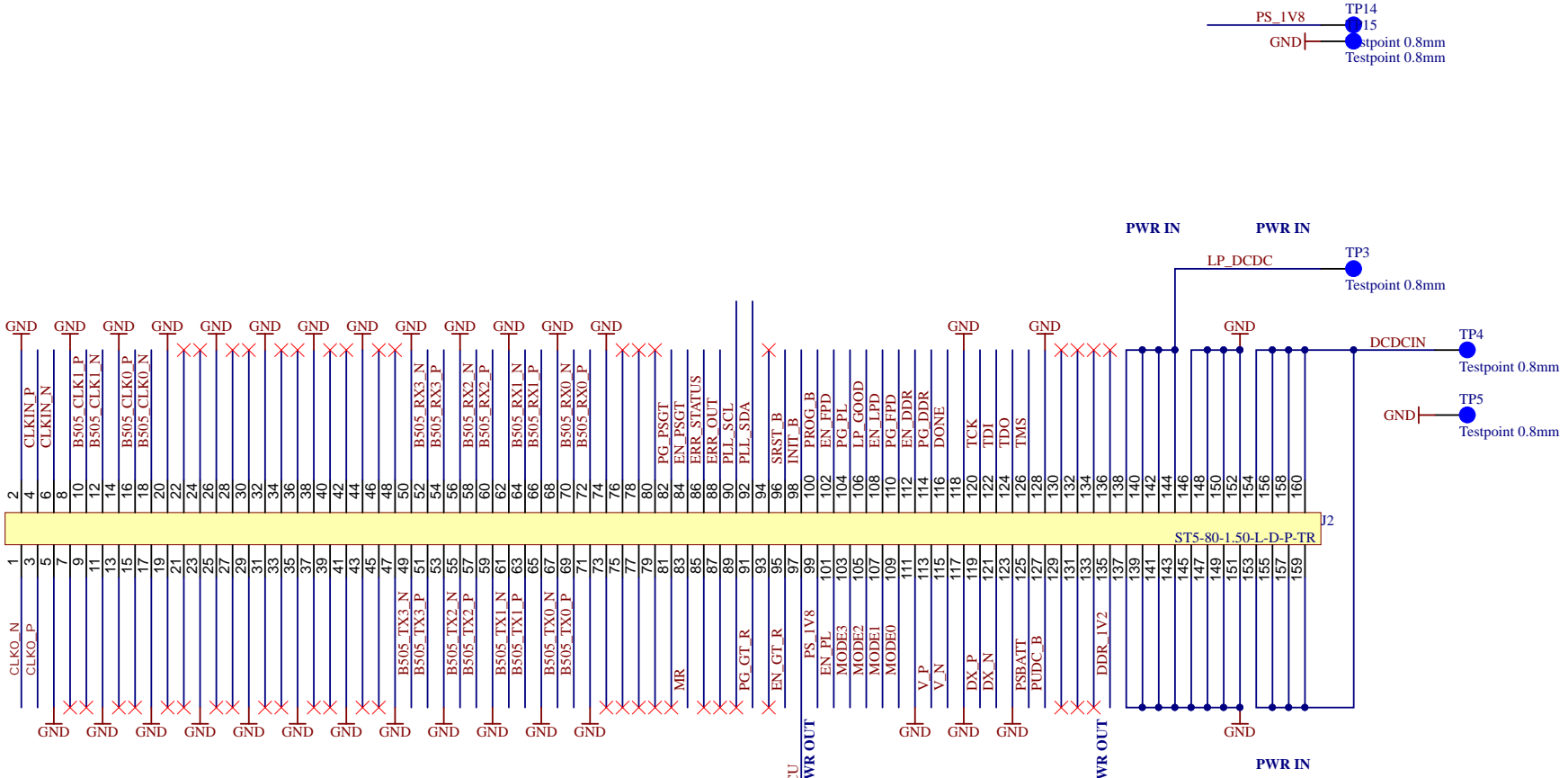

B

C

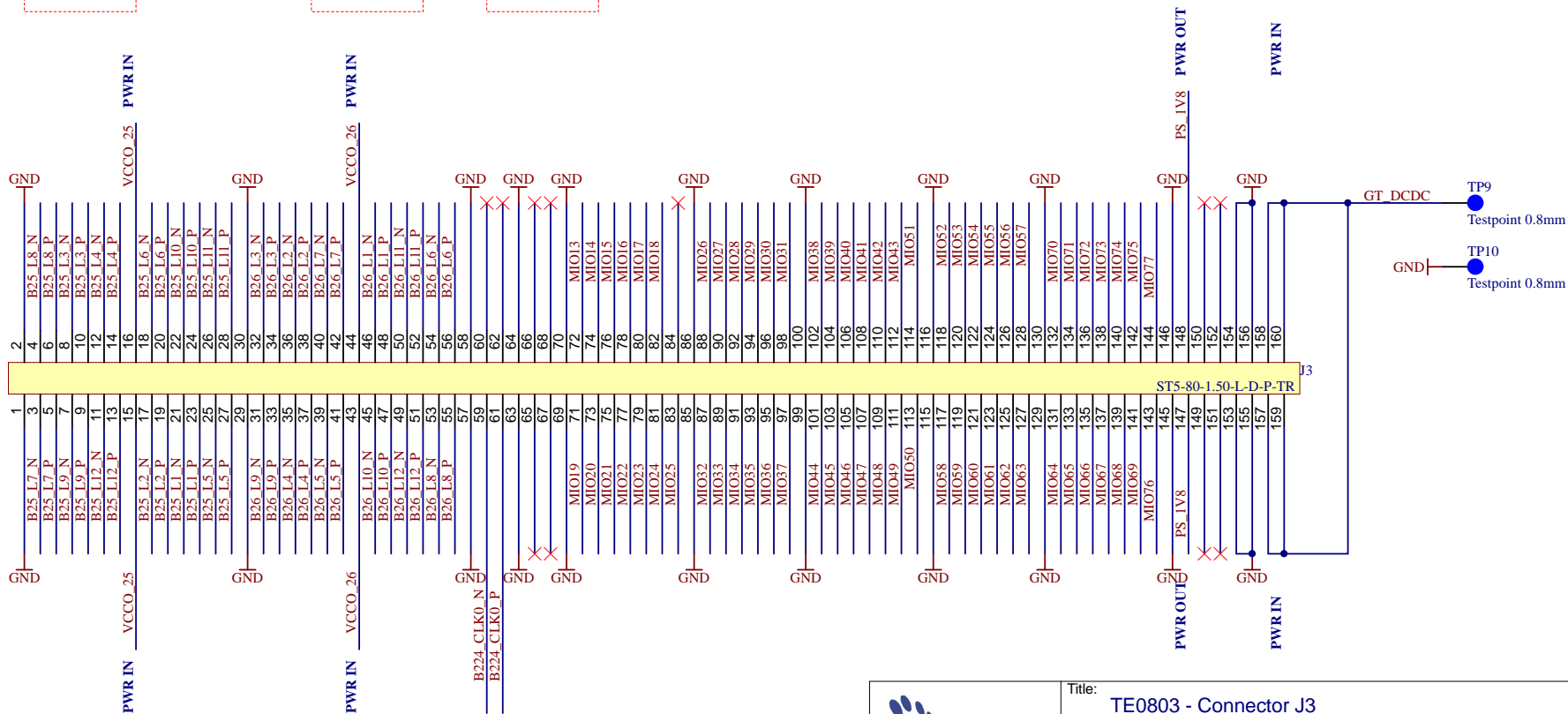
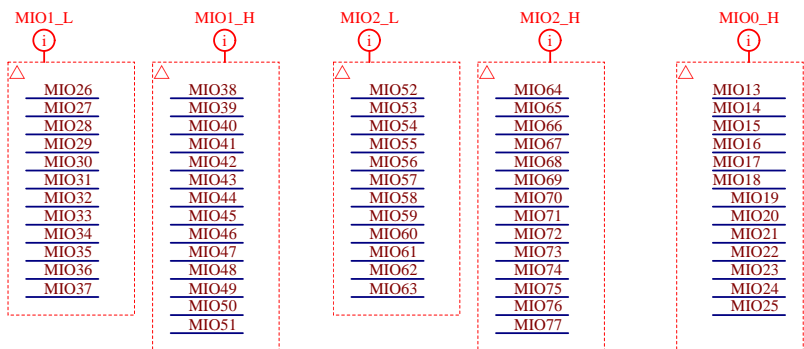
C

D

D

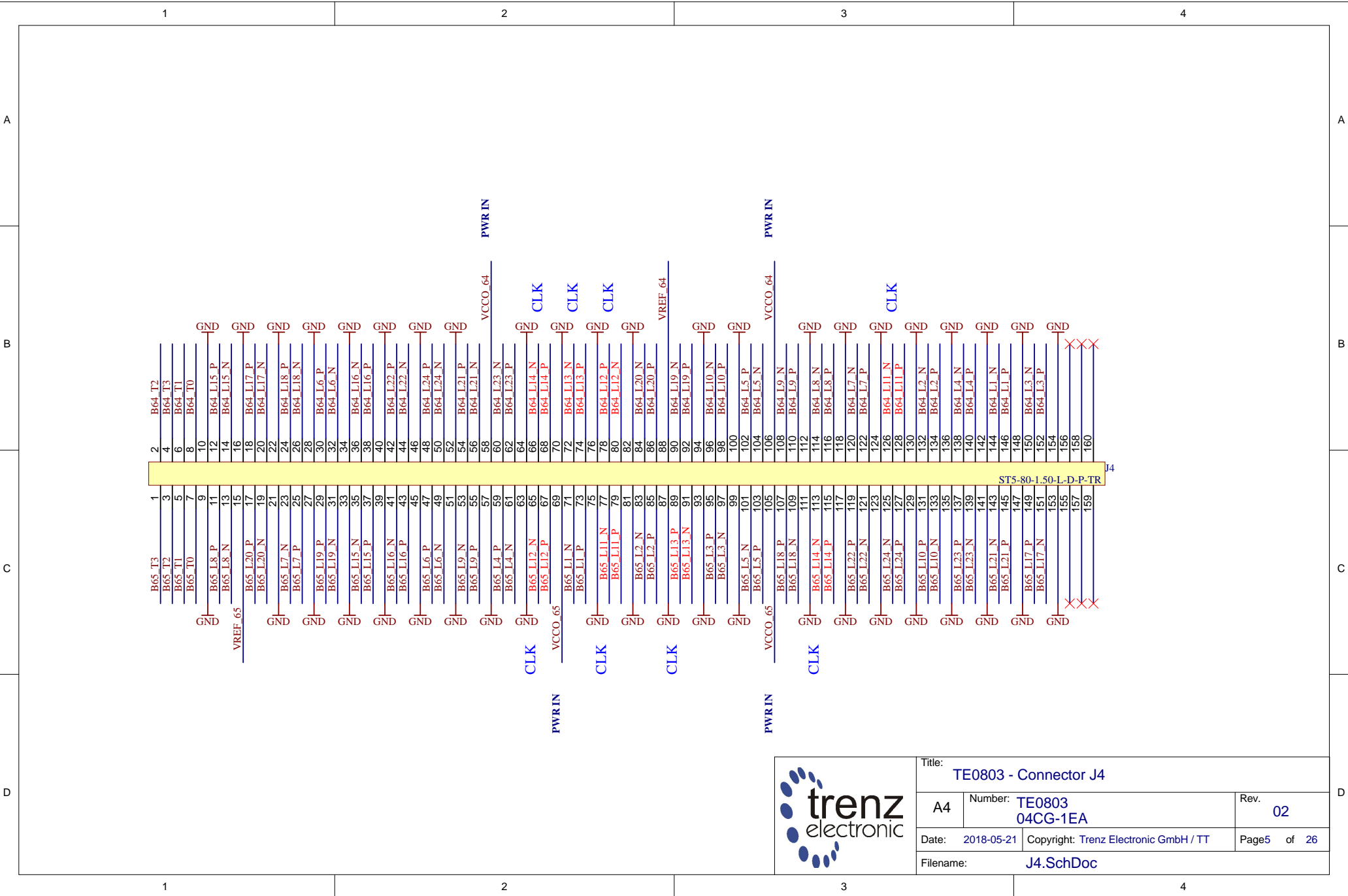



Title: TE0803 - Connector J2		
A4	Number: TE0803 04CG-1EA	Rev. 02
Date: 2018-05-21	Copyright: Trenz Electronic GmbH / TT	Page3 of 26
Filename: J2.SchDoc		

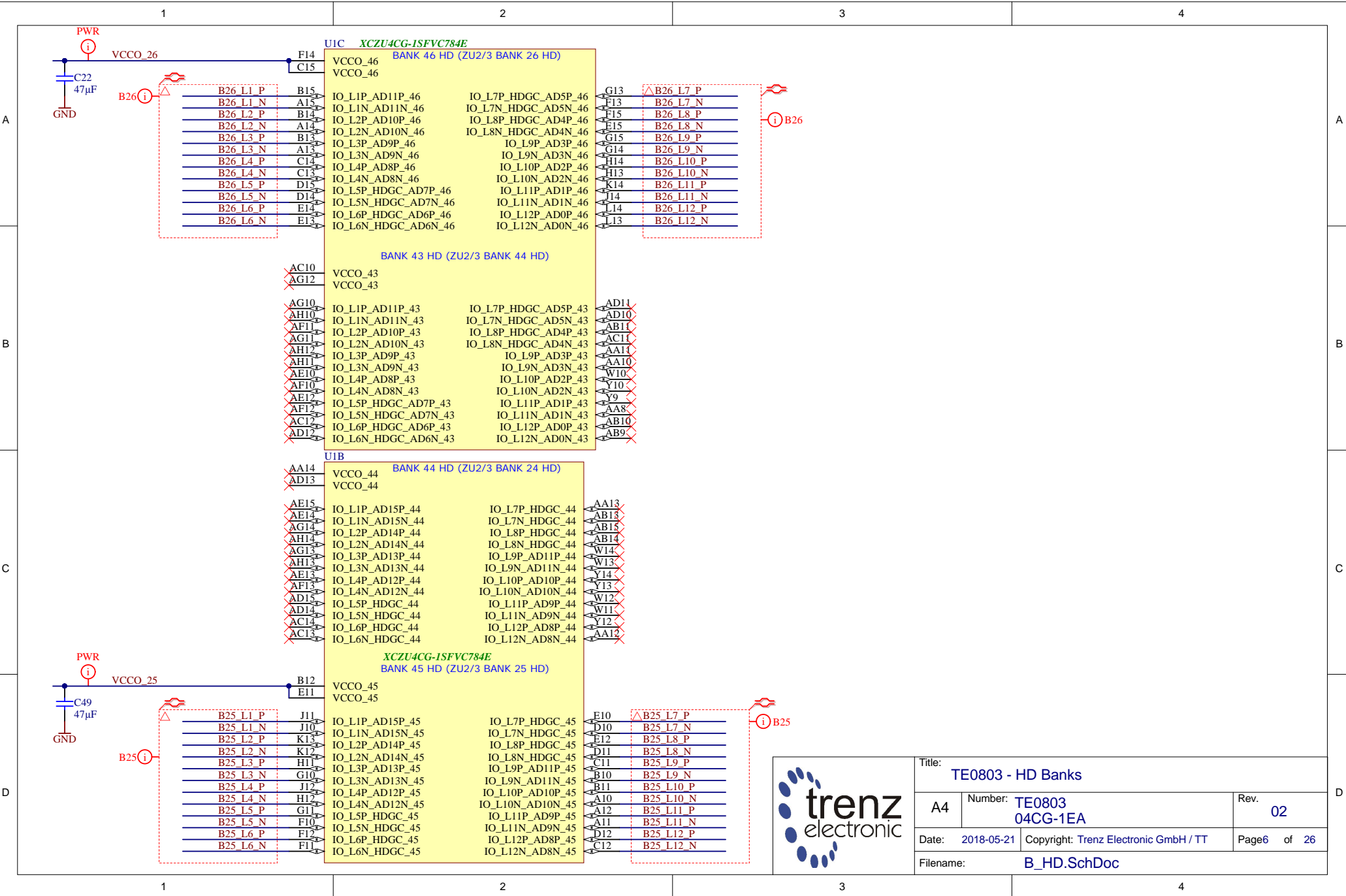


trenz electronic

Title: TE0803 - Connector J3		
A4	Number: TE0803 04CG-1EA	Rev. 02
Date: 2018-05-21	Copyright: Trenz Electronic GmbH / TT	Page4 of 26
Filename: J3.SchDoc		



Title: TE0803 - Connector J4		
A4	Number: TE0803 04CG-1EA	Rev. 02
Date: 2018-05-21	Copyright: Trenz Electronic GmbH / TT	Page5 of 26
Filename: J4.SchDoc		



UIC XCZU4CG-1SFVC784E
BANK 46 HD (ZU2/3 BANK 26 HD)

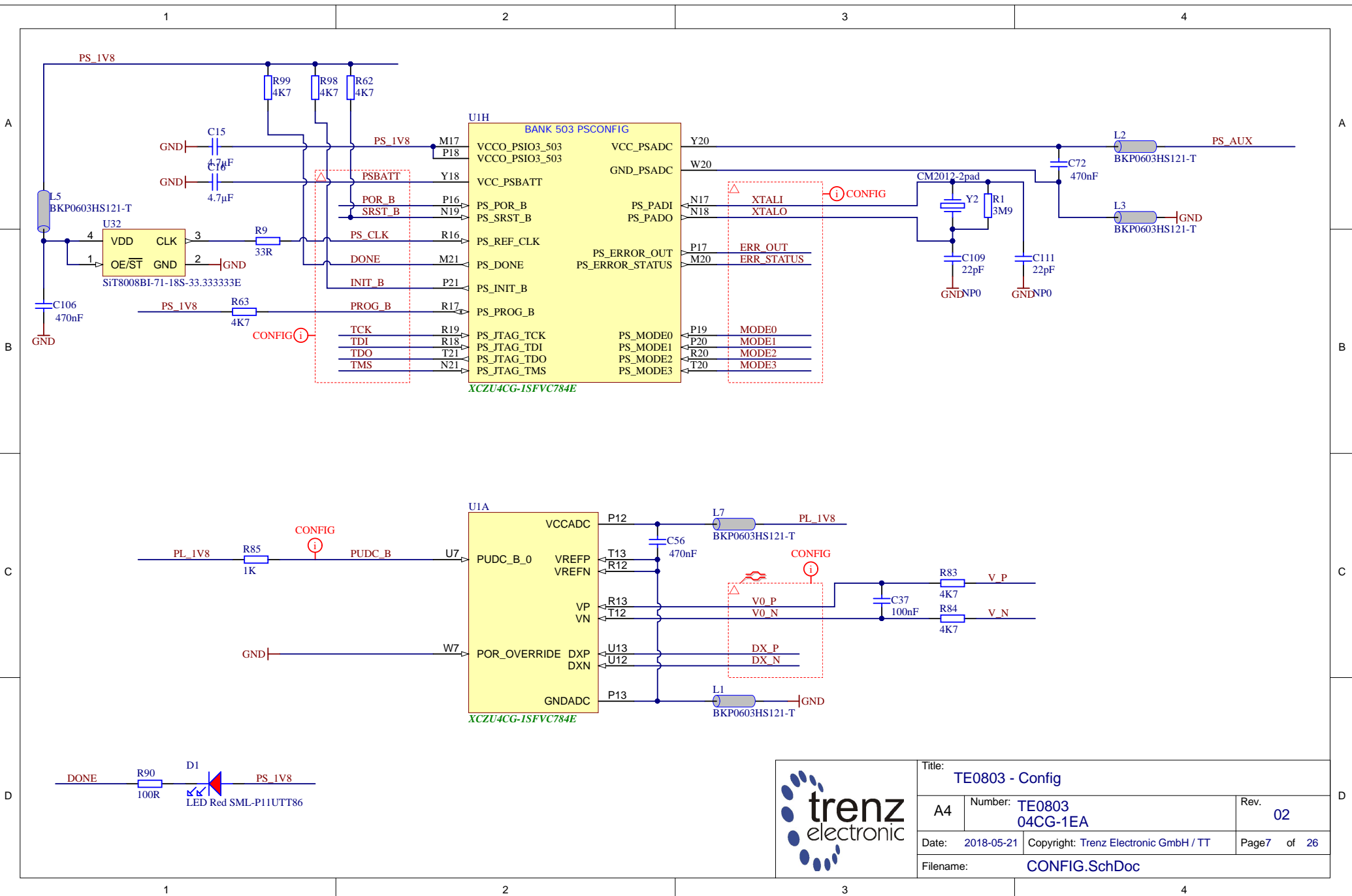
BANK 43 HD (ZU2/3 BANK 44 HD)

UIB
BANK 44 HD (ZU2/3 BANK 24 HD)

XCZU4CG-1SFVC784E
BANK 45 HD (ZU2/3 BANK 25 HD)

Title: TE0803 - HD Banks		
A4	Number: TE0803 04CG-1EA	Rev. 02
Date: 2018-05-21	Copyright: Trenz Electronic GmbH / TT	Page6 of 26
Filename: B_HD.SchDoc		





Title: TE0803 - Config		
A4	Number: TE0803 04CG-1EA	Rev. 02
Date: 2018-05-21	Copyright: Trenz Electronic GmbH / TT	Page 7 of 26
Filename: CONFIG.SchDoc		

1

2

3

4

A

A

B

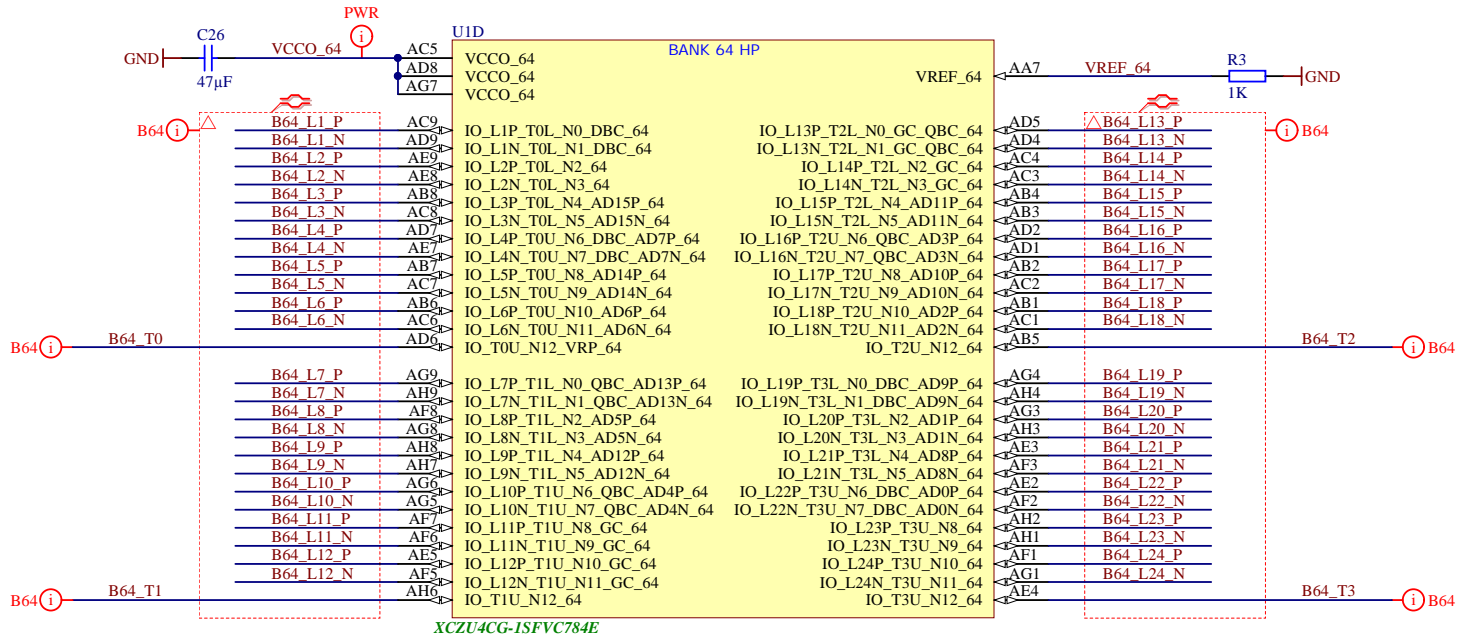
B

C

C

D

D



	Title: TE0803 - B64		
	A4	Number: TE0803 04CG-1EA	Rev. 02
	Date: 2018-05-21	Copyright: Trenz Electronic GmbH / TT	Page8 of 26
	Filename: B64.SchDoc		

1

2

3

4

1

2

3

4

A

A

B

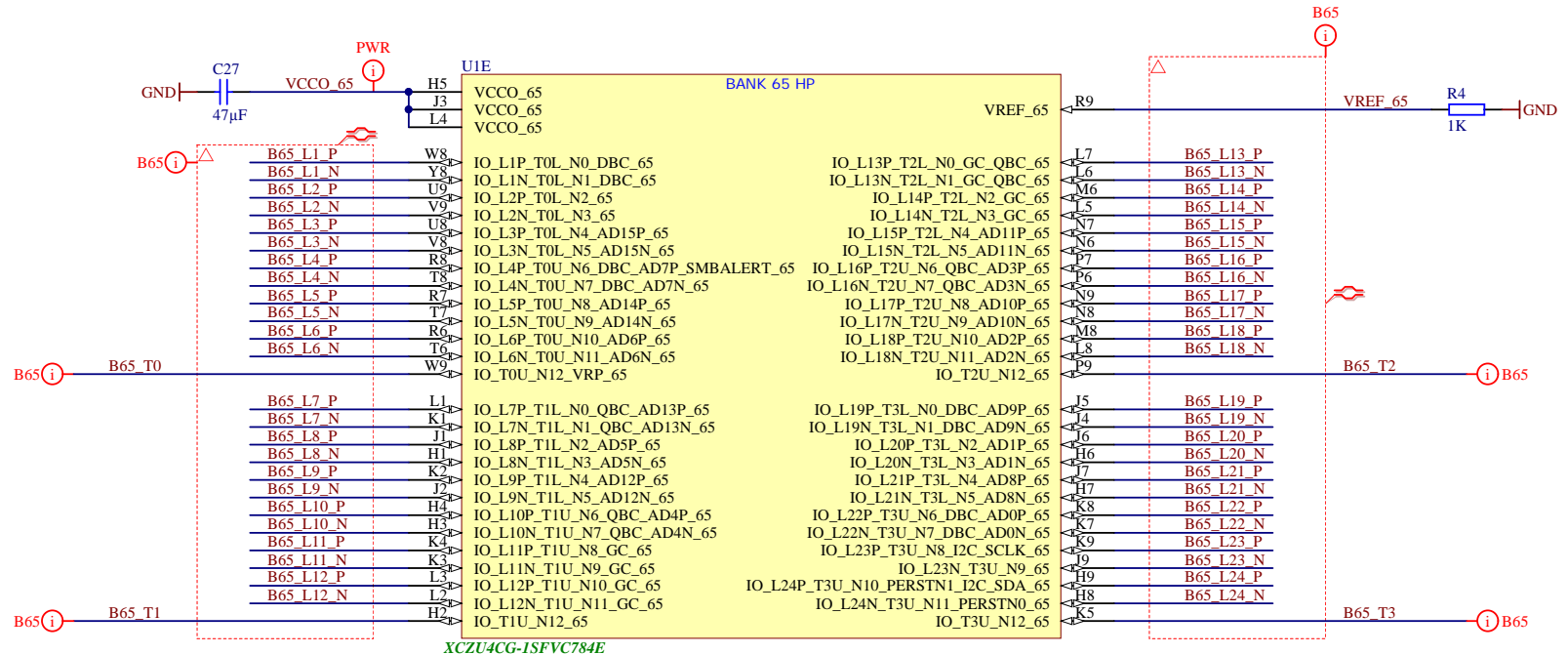

B

C

C

D

D

Title: TE0803 - B65		
A4	Number: TE0803 04CG-1EA	Rev. 02
Date: 2018-05-21	Copyright: Trenz Electronic GmbH / TT	Page9 of 26
Filename: B65.SchDoc		

1

2

3

4

1

2

3

4

A

A

B

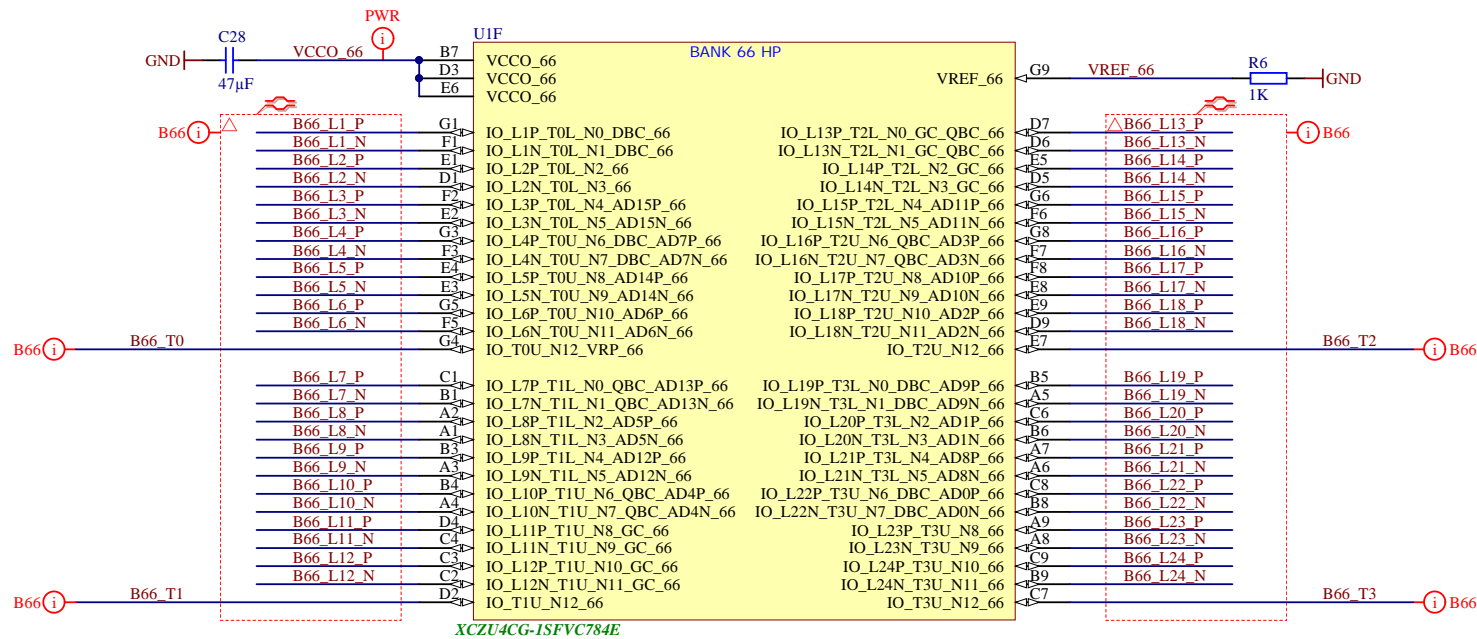
B

C

C

D

D



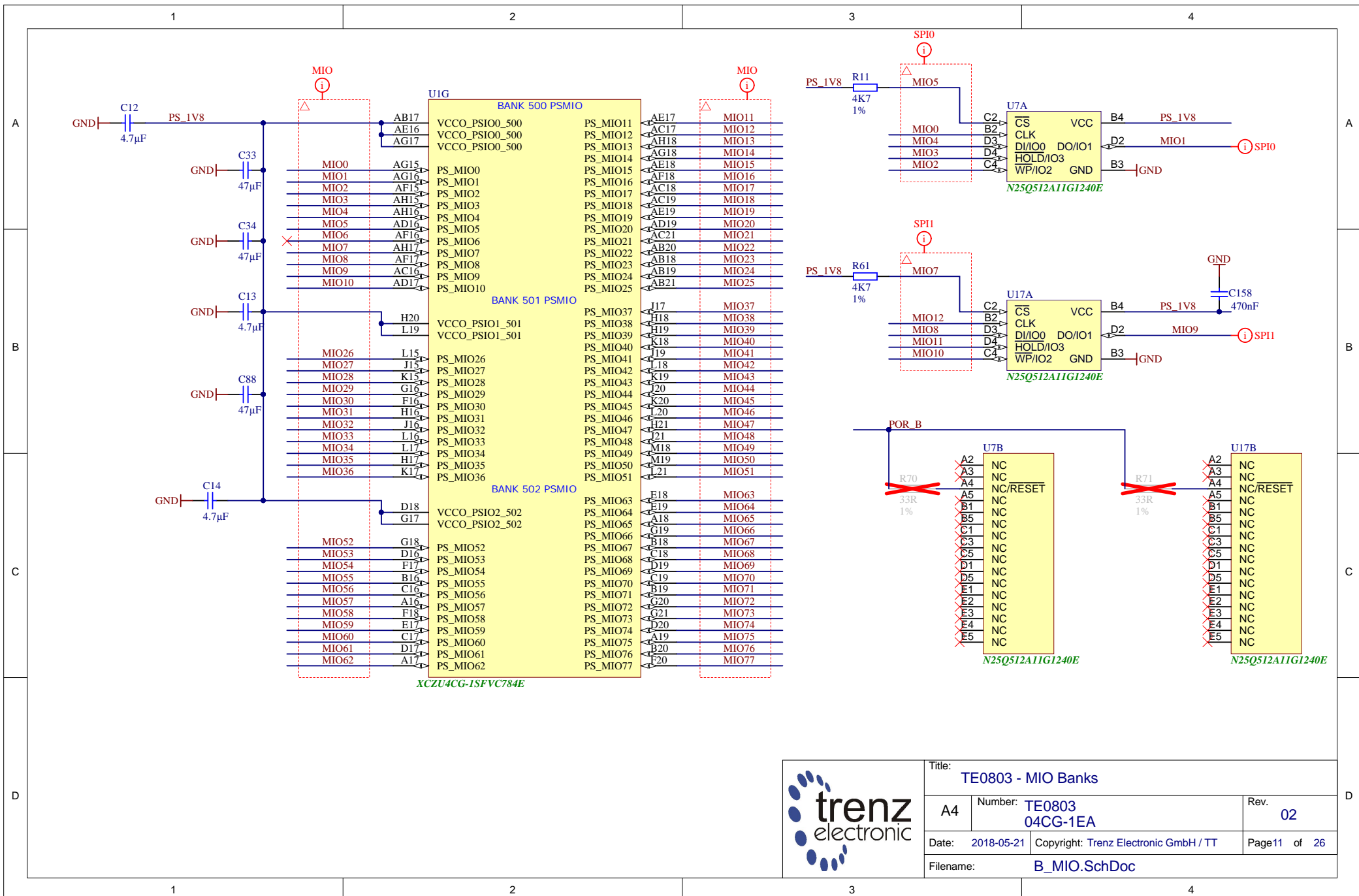
Title: TE0803 - B66		
A4	Number: TE0803 04CG-1EA	Rev. 02
Date: 2018-05-21	Copyright: Trenz Electronic GmbH / TT	Page10 of 26
Filename: B66.SchDoc		

1

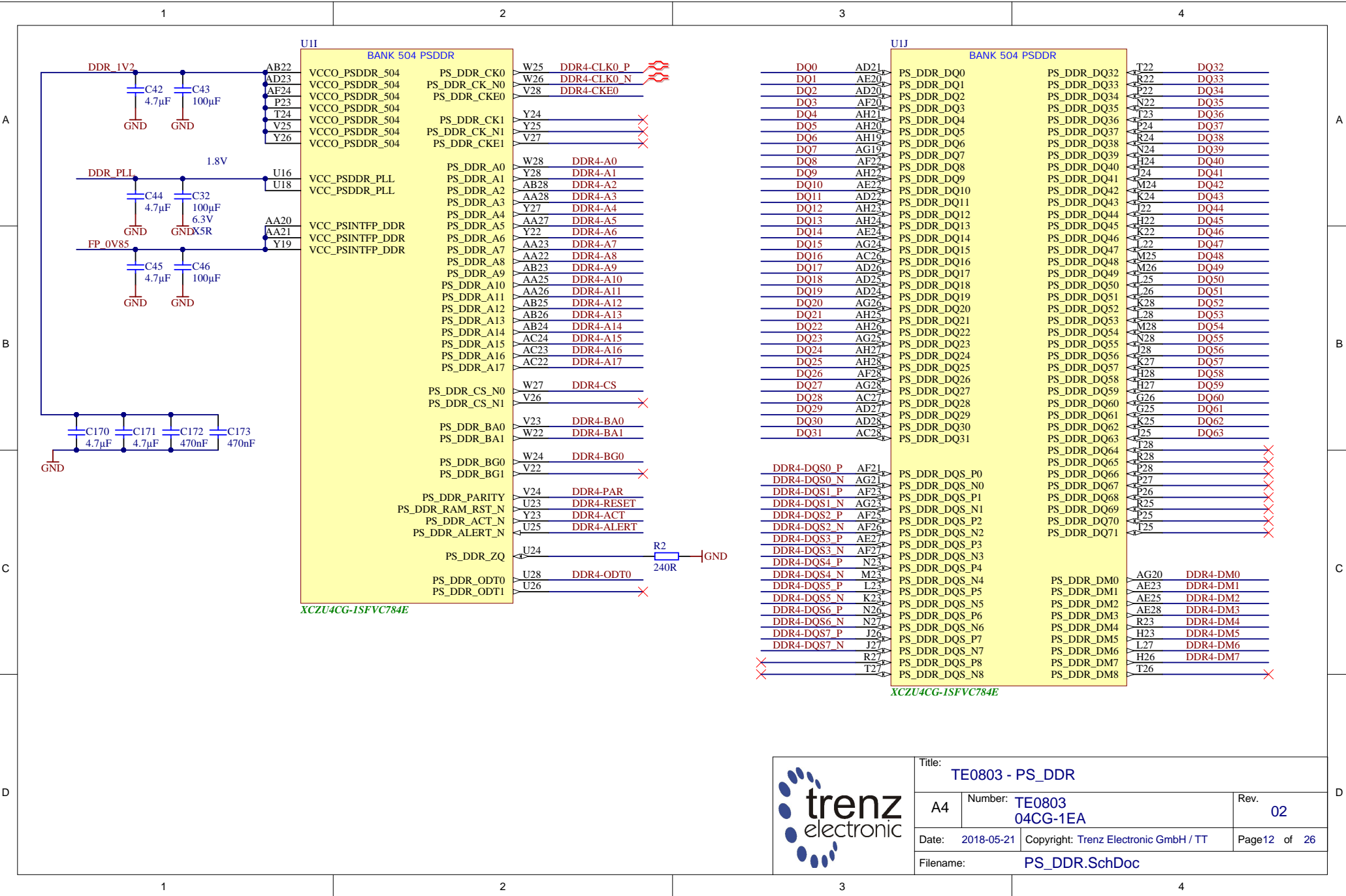
2

3

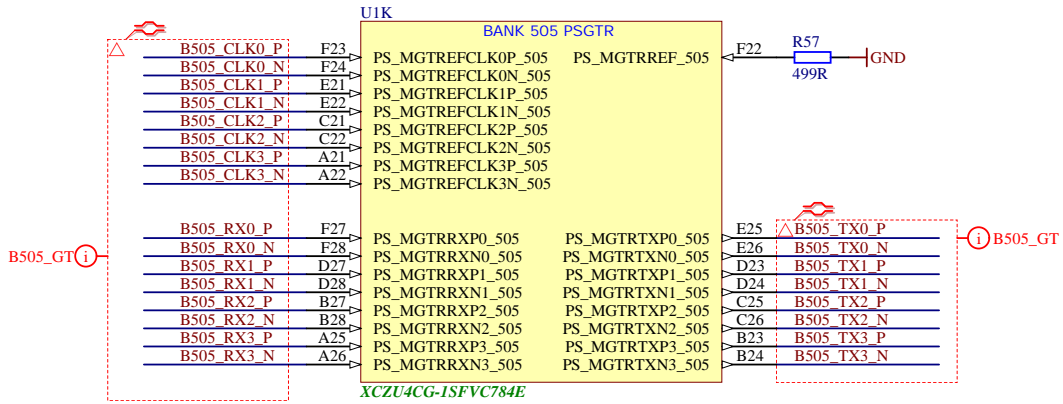
4




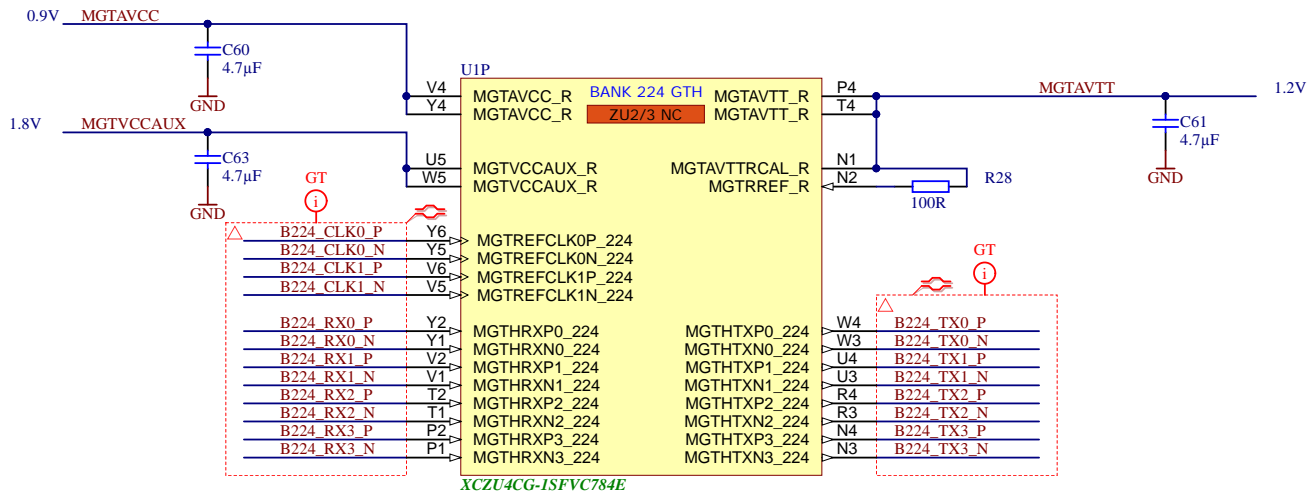
	Title: TE0803 - MIO Banks		
	A4	Number: TE0803 04CG-1EA	Rev. 02
	Date: 2018-05-21	Copyright: Trenz Electronic GmbH / TT	Page 11 of 26
	Filename: B_MIO.SchDoc		



Title: TE0803 - PS_DDR		
A4	Number: TE0803 04CG-1EA	Rev. 02
Date: 2018-05-21	Copyright: Trenz Electronic GmbH / TT	Page 12 of 26
Filename: PS_DDR.SchDoc		



	Title: TE0803 - PS_GT		
	A4	Number: TE0803 04CG-1EA	Rev. 02
	Date: 2018-05-21	Copyright: Trenz Electronic GmbH / TT	Page 13 of 26
	Filename: B_PS_GT.SchDoc		



XZU4CG-1SFVC784E



Title: TE0803 - B224GTH		
A4	Number: TE0803 04CG-1EA	Rev. 02
Date: 2018-05-21	Copyright: Trenz Electronic GmbH / TT	Page 14 of 26
Filename: B_GT.SchDoc		

1

2

3

4

A

A

B

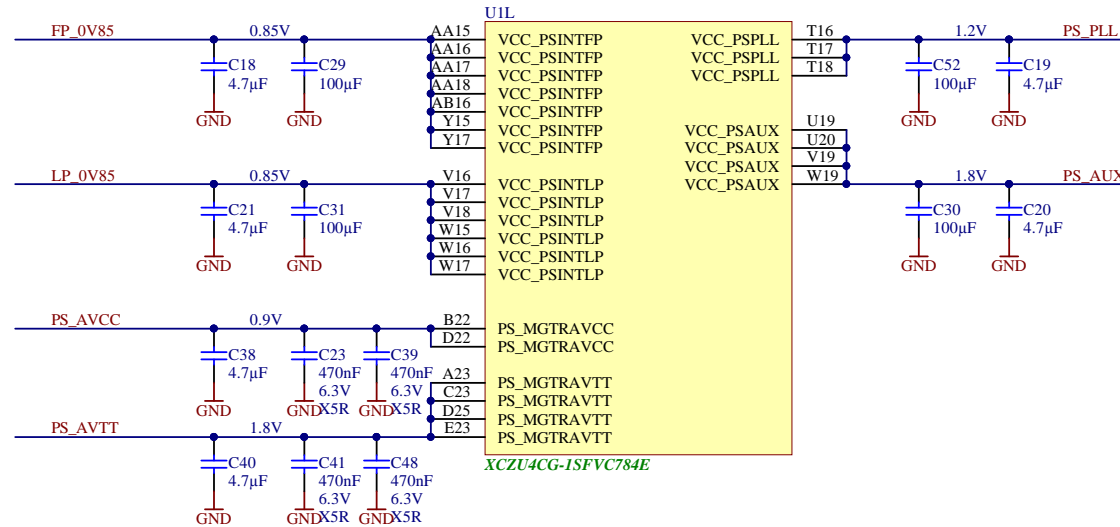
B

C

C

D

D



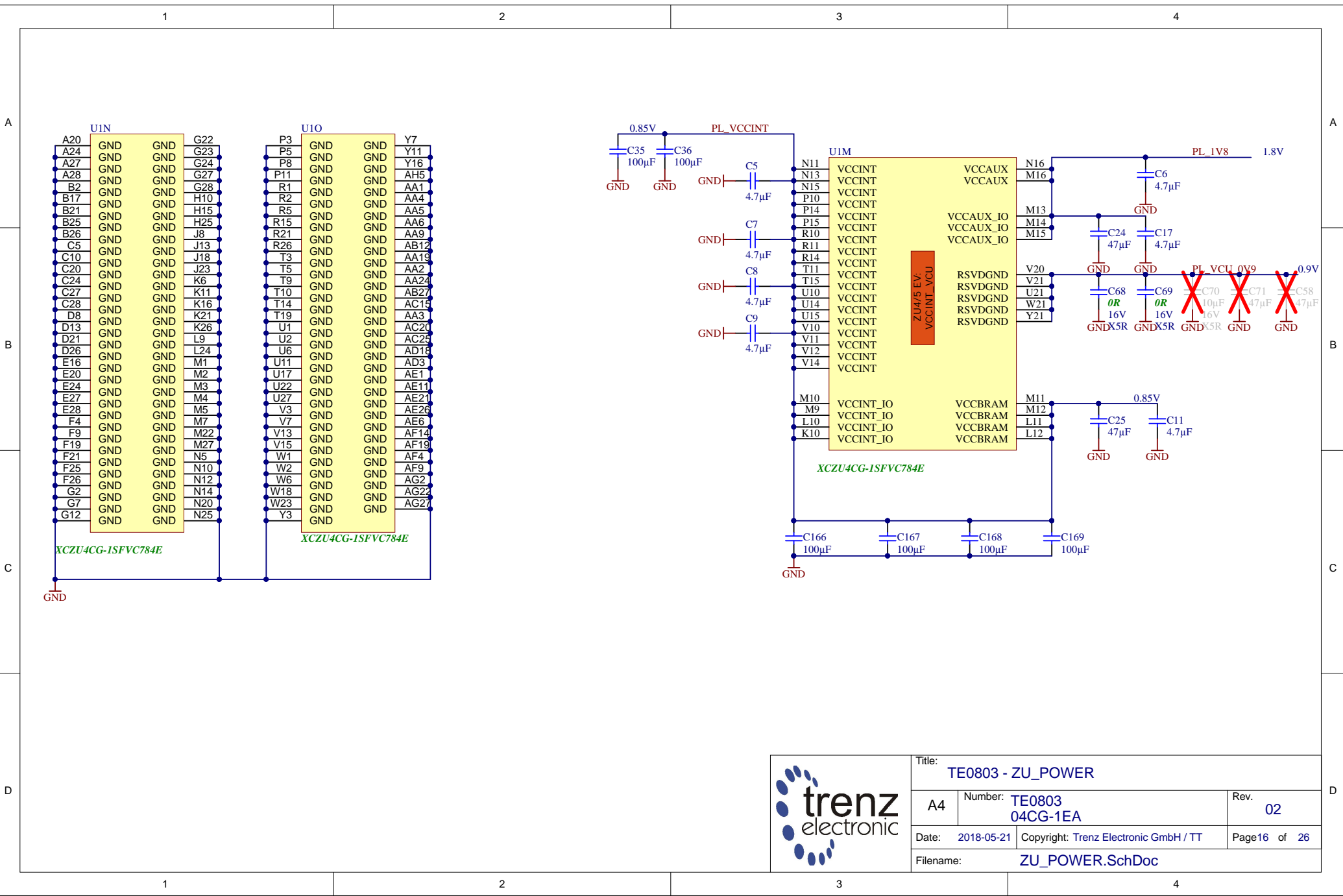
Title: TE0803 - ZU_PS_POWER		
A4	Number: TE0803 04CG-1EA	Rev. 02
Date: 2018-05-21	Copyright: Trenz Electronic GmbH / TT	Page15 of 26
Filename: ZU_PS_POWER.SchDoc		

1

2

3

4



	Title: TE0803 - ZU_POWER		
	A4	Number: TE0803 04CG-1EA	Rev. 02
	Date: 2018-05-21	Copyright: Trenz Electronic GmbH / TT	Page 16 of 26
	Filename: ZU_POWER.SchDoc		

1

2

3

4

A

A

B

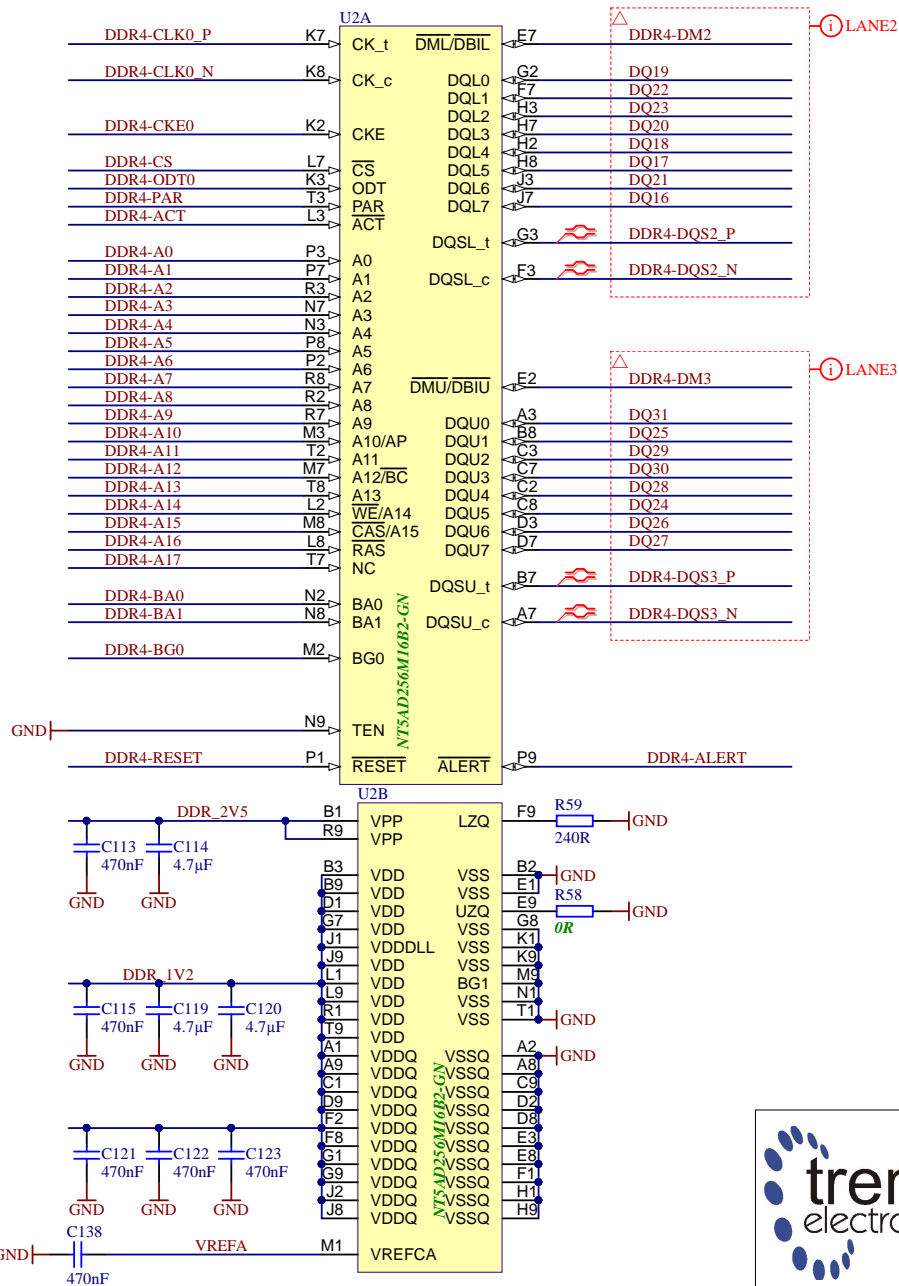
B

C

C

D

D



Title: TE0803 - DDR4_1_RAM		
A4	Number: TE0803 04CG-1EA	Rev. 02
Date: 2018-05-21	Copyright: Trenz Electronic GmbH / TT	Page 17 of 26
Filename: DDR4-RAM.SchDoc		

1

2

3

4

1

2

3

4

A

A

B

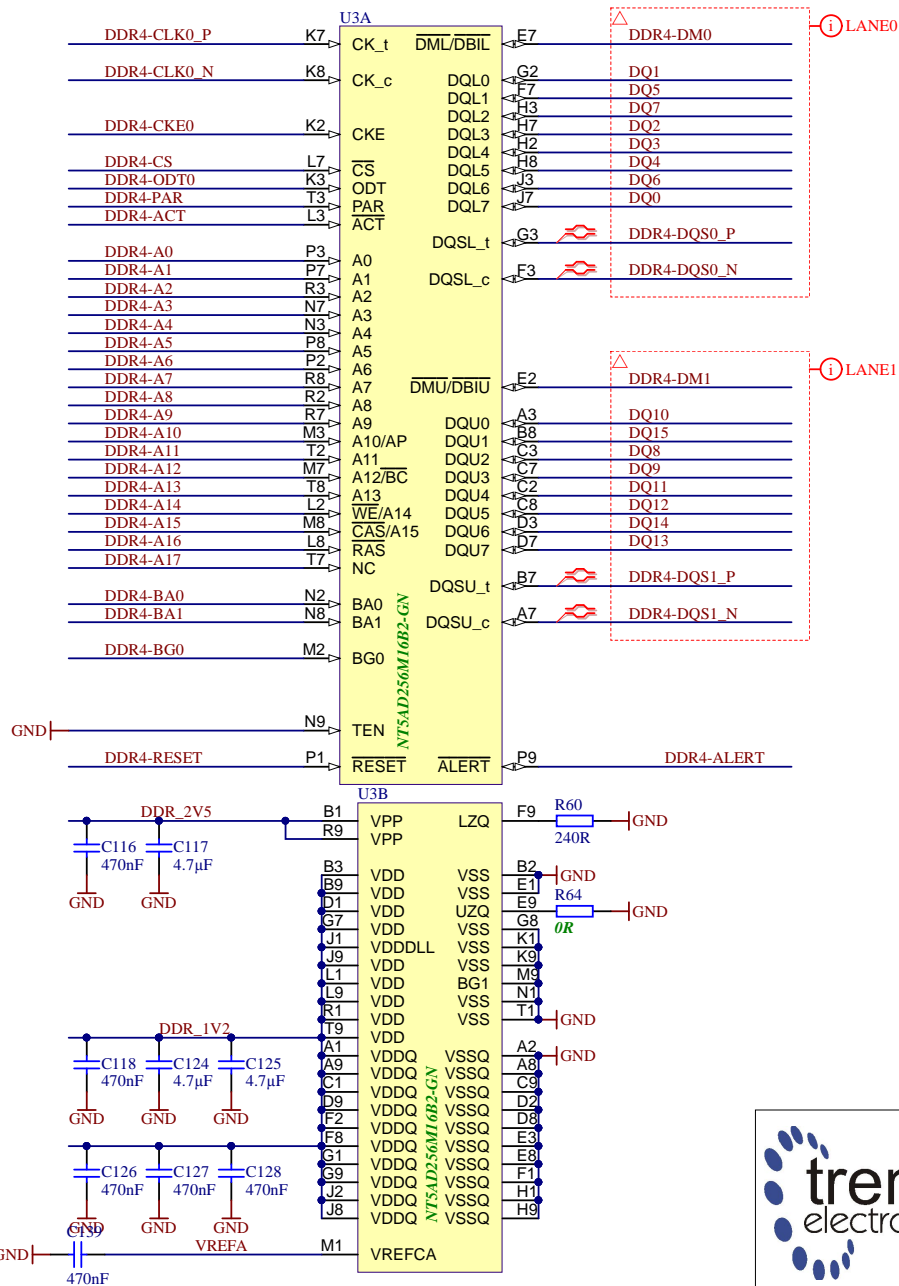

B

C

C

D

D

Title: TE0803 - DDR4_2_RAM		
A4	Number: TE0803 04CG-1EA	Rev. 02
Date: 2018-05-21	Copyright: Trenz Electronic GmbH / TT	Page 18 of 26
Filename: DDR4-RAM_2.SchDoc		

1

2

3

4

1

2

3

4

A

A

B

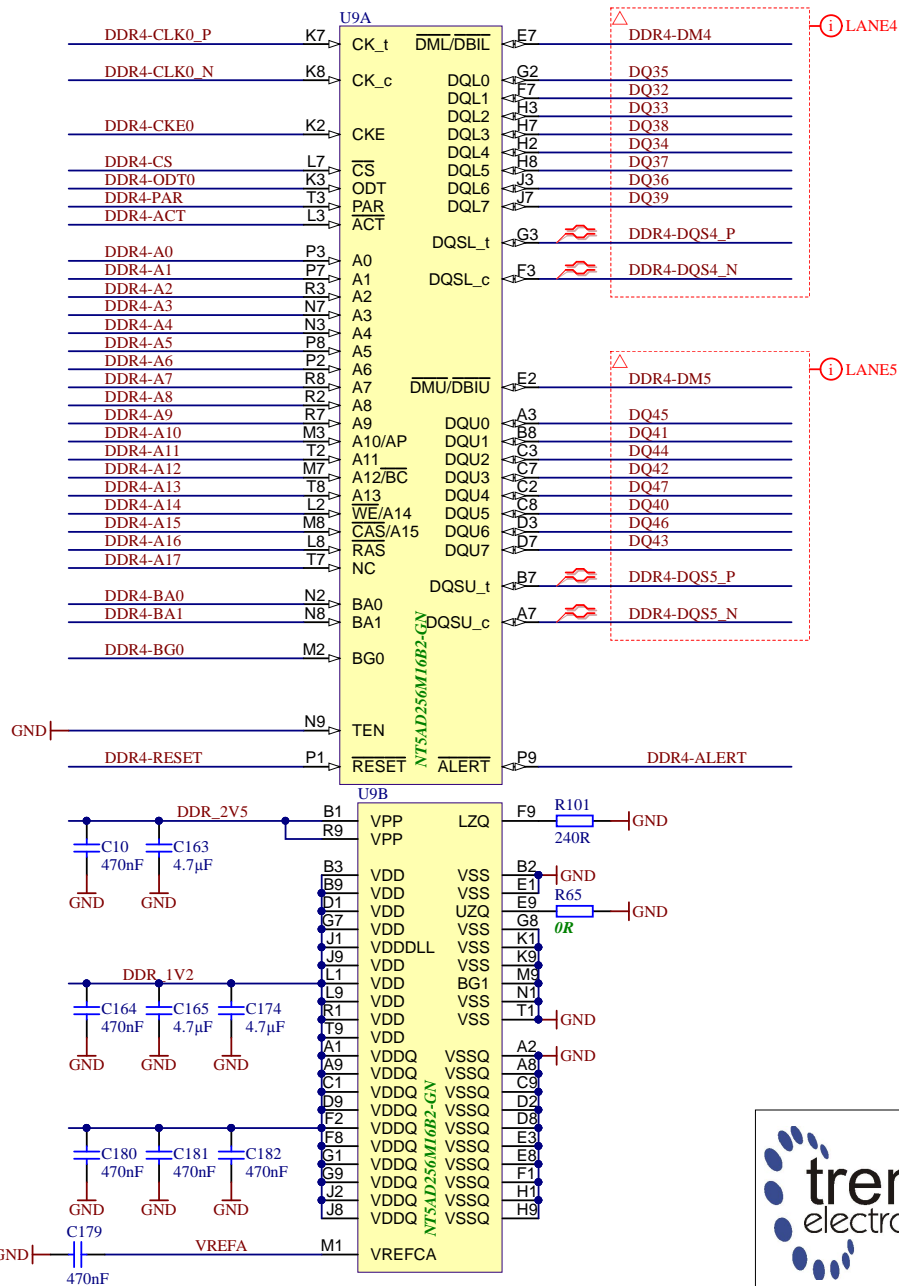
B

C

C

D

D



Title: TE0803 - DDR4_3_RAM		
A4	Number: TE0803 04CG-1EA	Rev. 02
Date: 2018-05-21	Copyright: Trenz Electronic GmbH / TT	Page19 of 26
Filename: DDR4-RAM_3.SchDoc		

1

2

3

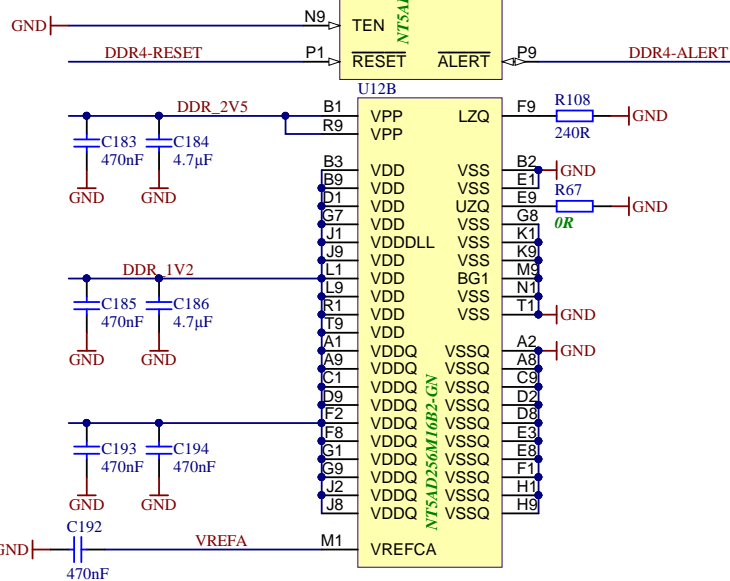
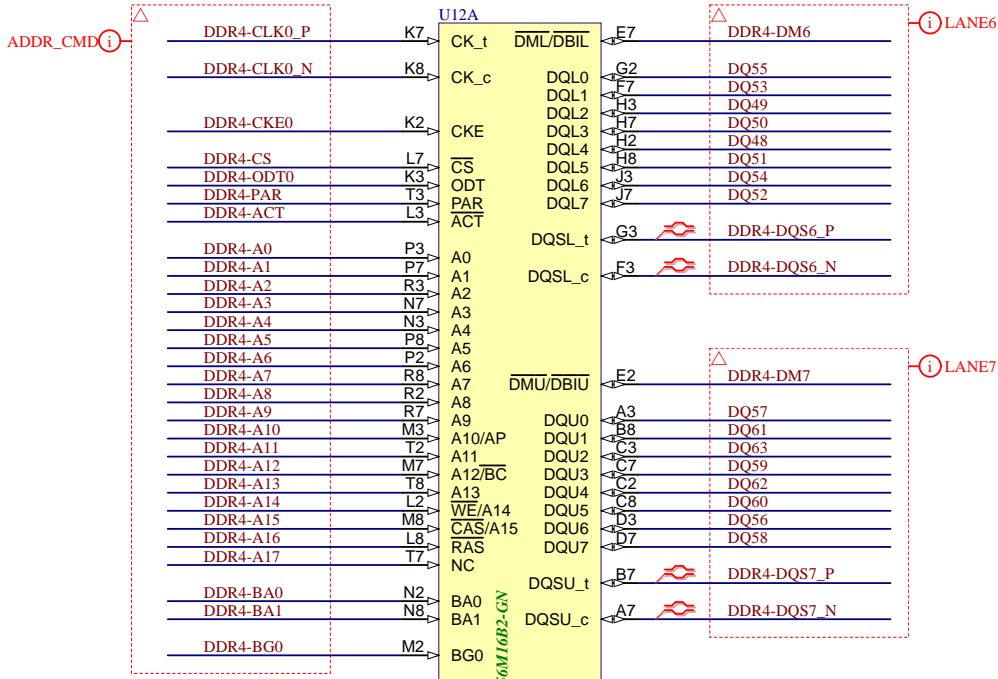
4

1

2

3

4



Title: TE0803 - DDR4_4_RAM		
A4	Number: TE0803 04CG-1EA	Rev. 02
Date: 2018-05-21	Copyright: Trenz Electronic GmbH / TT	Page20 of 26
Filename: DDR4-RAM_4.SchDoc		

1

2

3

4

A

A

B

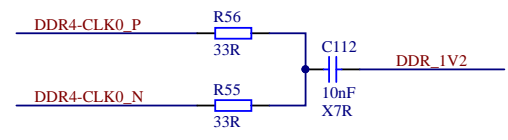
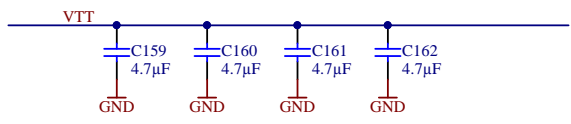
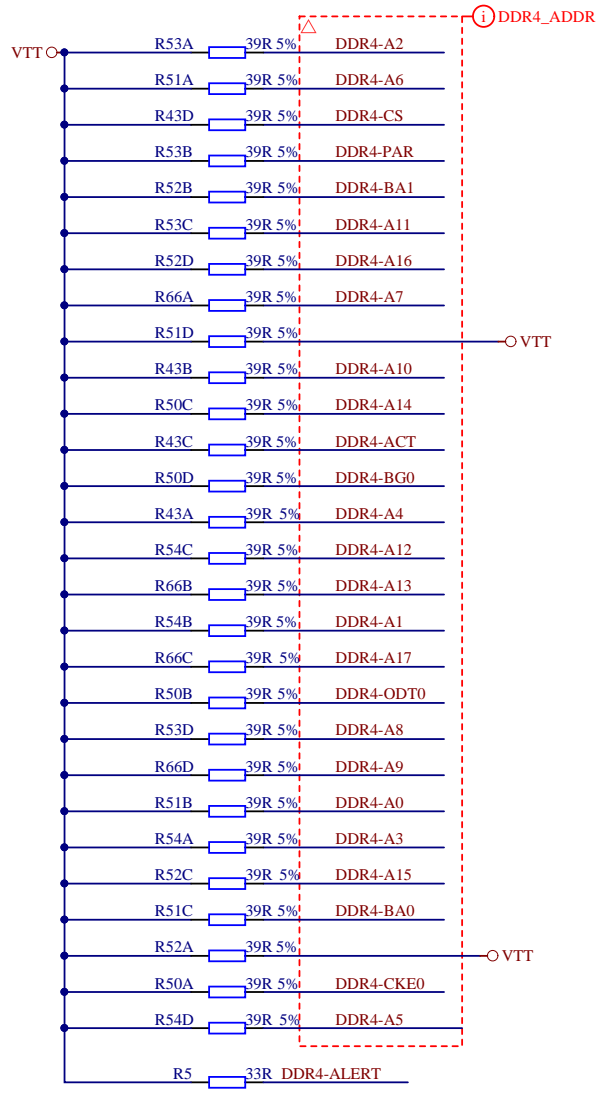
B

C

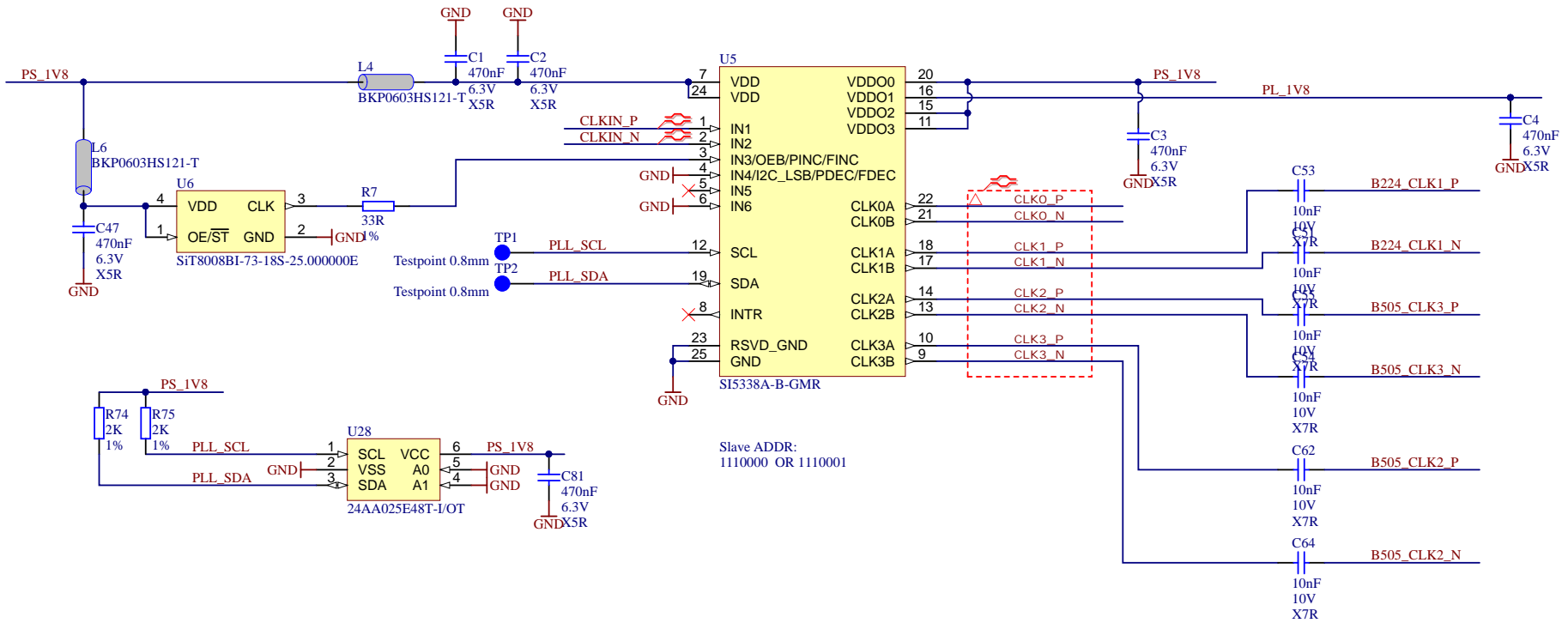
C

D

D



Title: TE0803 - DDR4_TERM		
A4	Number: TE0803 04CG-1EA	Rev. 02
Date: 2018-05-21	Copyright: Trenz Electronic GmbH / TT	Page21 of 26
Filename: DDR4-TERM.SchDoc		



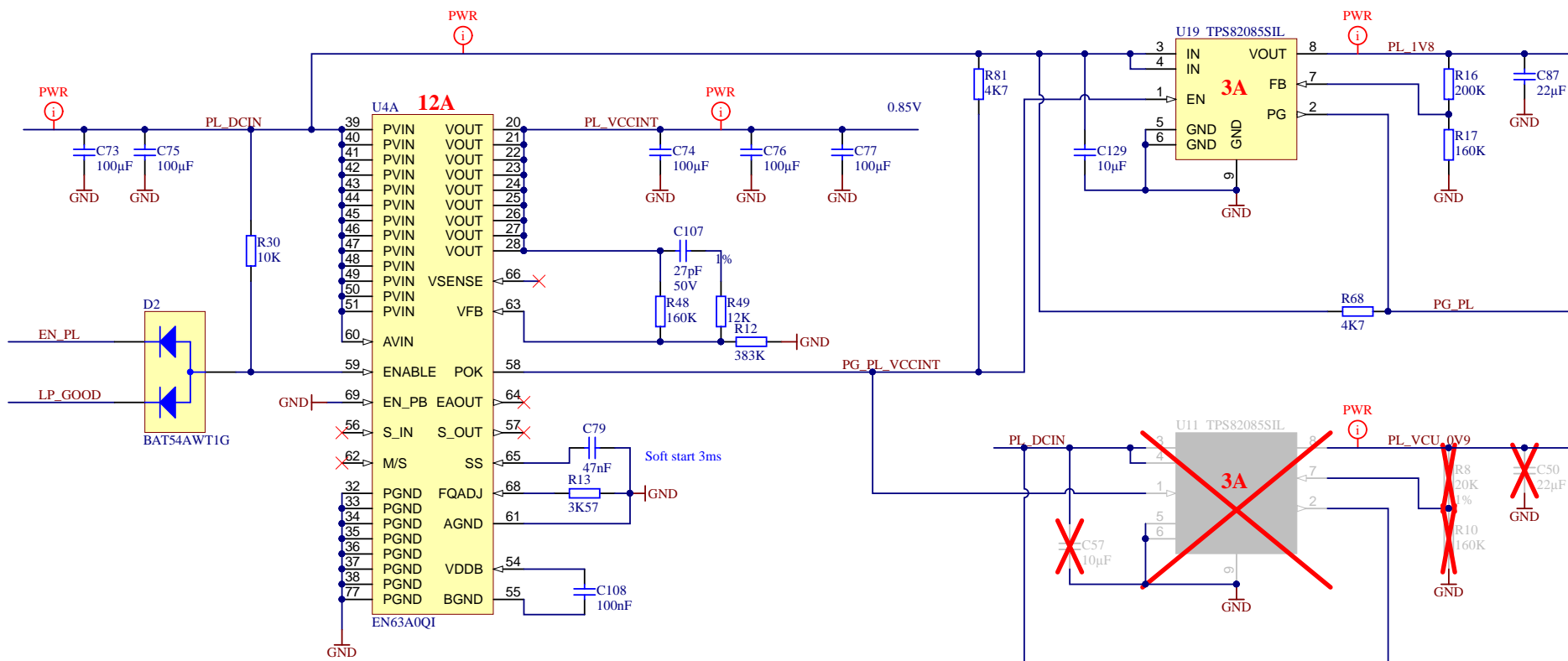
Title: TE0803 - CLOCK		
A4	Number: TE0803 04CG-1EA	Rev. 02
Date: 2018-05-21	Copyright: Trenz Electronic GmbH / TT	Page22 of 26
Filename: Clock.SchDoc		

1

2

3

4

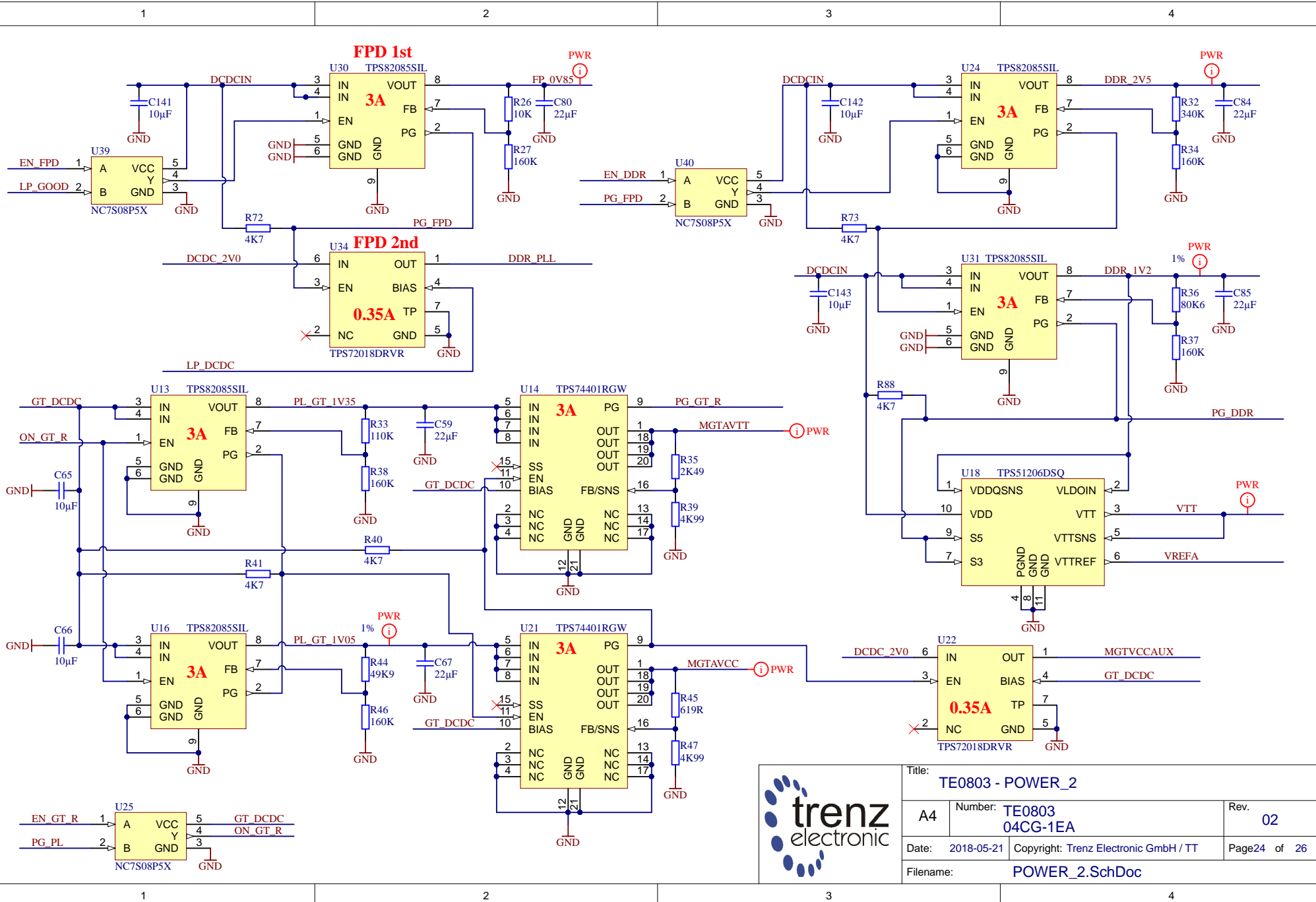


U4B

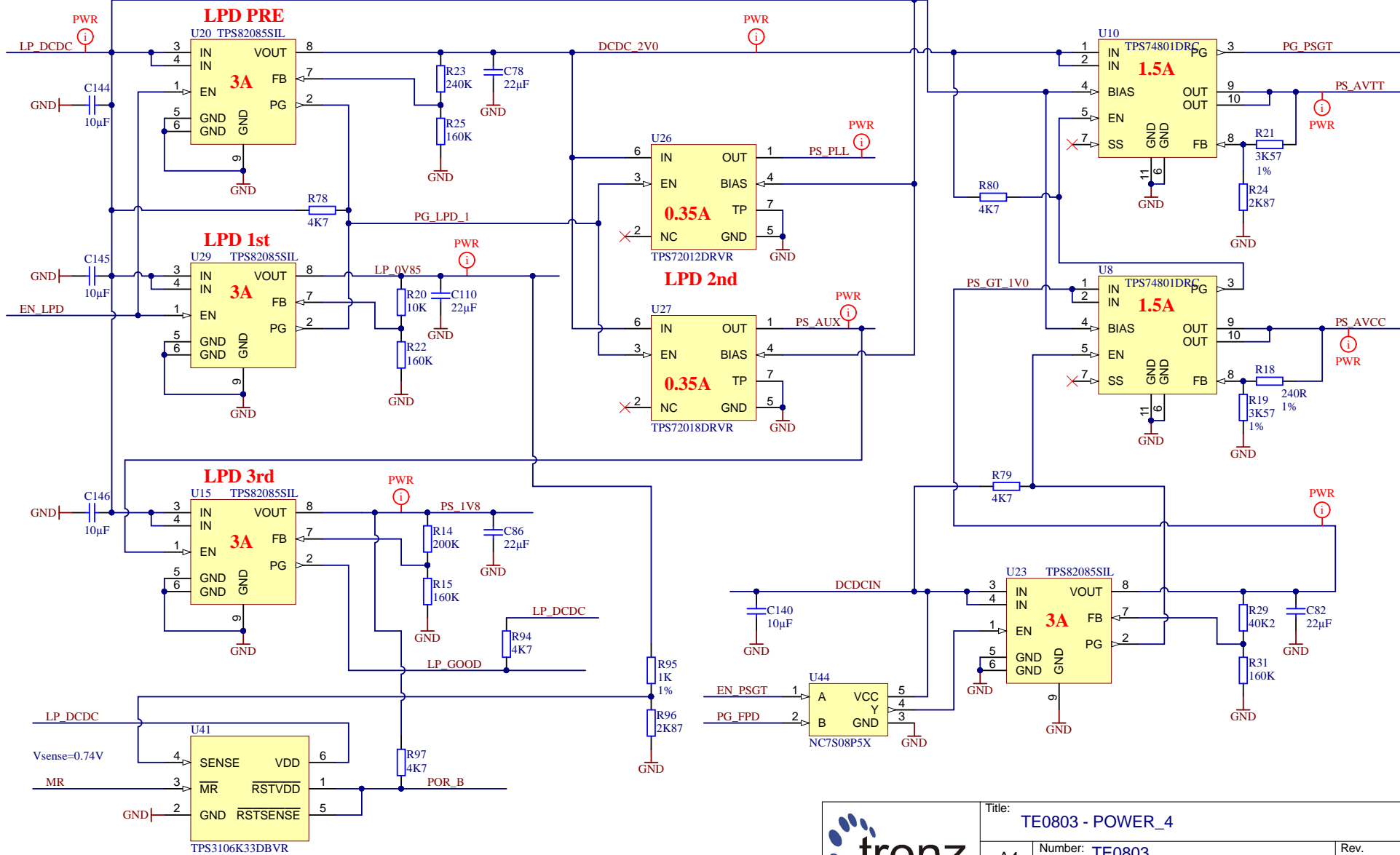
1	NC	NC	17
2	NC	NC	18
3	NC	NC	19
4	NC	NC	29
5	NC	NC	30
6	NC	NC(SW)	31
7	NC	NC(SW)	52
8	NC	NC	53
9	NC	NC	67
10	NC	NC(SW)	70
11	NC	NC(SW)	71
12	NC	NC(SW)	72
13	NC	NC	73
14	NC	NC	74
15	NC	NC	75
16	NC	NC	76

EN63A0QI

	Title: TE0803 - POWER		
	A4	Number: TE0803 04CG-1EA	Rev. 02
	Date: 2018-05-21	Copyright: Trenz Electronic GmbH / TT	Page23 of 26
	Filename: POWER.SchDoc		



Title: TE0803 - POWER_2		
A4	Number: TE0803 04CG-1EA	Rev. 02
Date: 2018-05-21	Copyright: Trenz Electronic GmbH / TT	Page24 of 26
Filename: POWER_2.SchDoc		



Title: TE0803 - POWER_4		
A4	Number: TE0803 04CG-1EA	Rev. 02
Date: 2018-05-21	Copyright: Trenz Electronic GmbH / TT	Page25 of 26
Filename: POWER_4.SchDoc		

1

2

3

4

CHANGES REV01a (20.11.2017):

1) VCU voltage set to 0.9V, R20 changed to 40K , PL_VCU_1V0 renamed to PL_VCU_0V9.

CHANGES REV02 (20.06.2018):

- 1) Added LDO to DDR_PLL
- 2) All differential pairs wath length matched with tollerance 0.1mm (excluding package delays)
- 3) Added MAC EEPROM U28
- 4) VPS_MGTRAVCC set to 0.85V
- 5) Added pull-up resistors R68,R69

A

A

B

B

C

C

D

D



Title: TE0803 - Changes list		
A4	Number: TE0803 04CG-1EA	Rev. 02
Date: 2018-05-21	Copyright: Trenz Electronic GmbH	Page26 of 26
Filename: Revision_Changes.SchDoc		

1

2

3

4