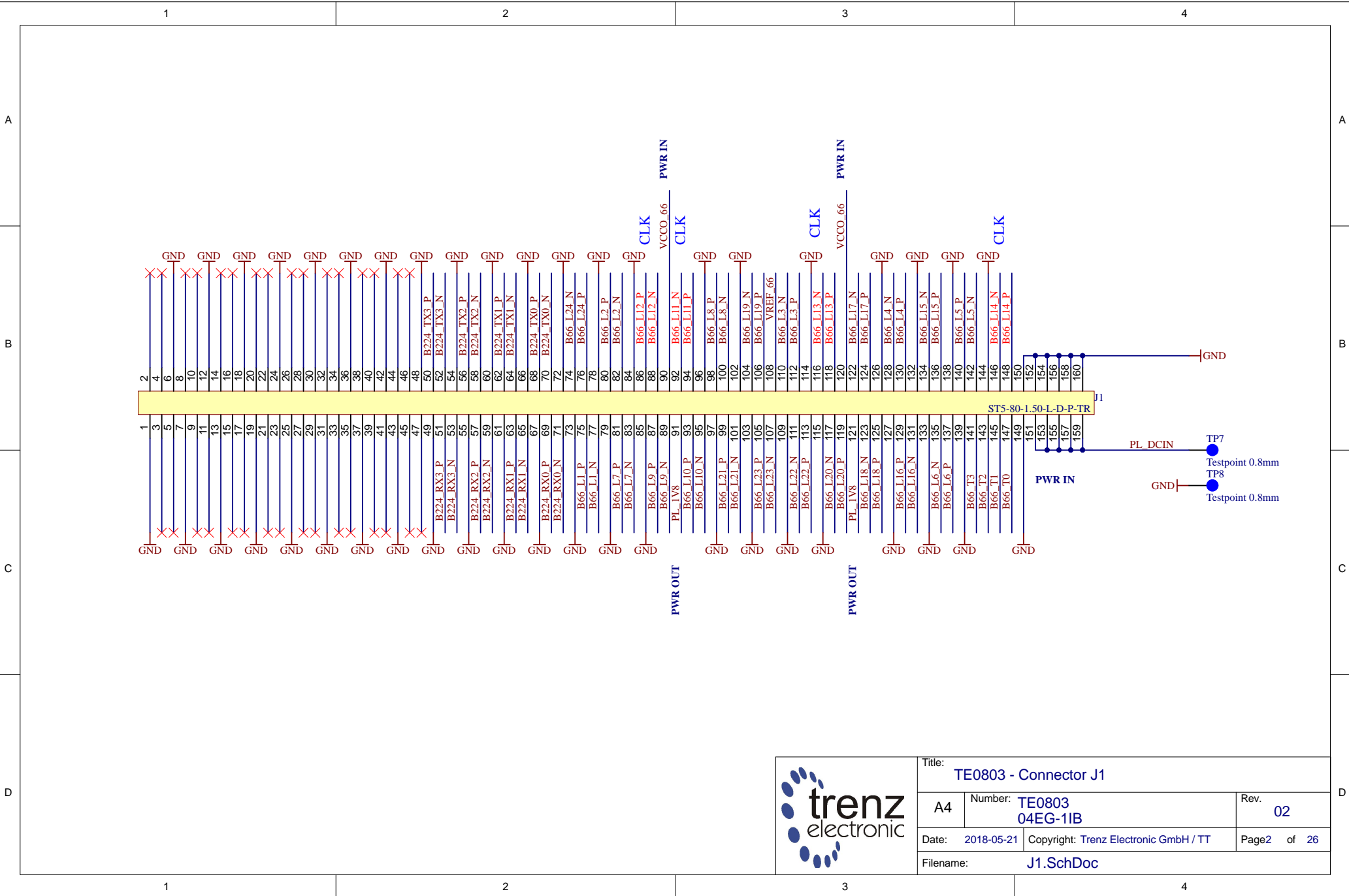


<p>U_J1 J1.SchDoc</p> <p>U_J2 J2.SchDoc</p> <p>U_J3 J3.SchDoc</p> <p>U_J4 J4.SchDoc</p> <p>U_DDR4-TERM DDR4-TERM.SchDoc</p> <p>U_B64 B64.SchDoc</p> <p>U_B65 B65.SchDoc</p> <p>U_B66 B66.SchDoc</p> <p>U_B_GT B_GT.SchDoc</p>	<p>U_B_PS_GT B_PS_GT.SchDoc</p> <p>U_PS_DDR PS_DDR.SchDoc</p> <p>U_B_MIO B_MIO.SchDoc</p> <p>U_B_HD B_HD.SchDoc</p> <p>U_Clock Clock.SchDoc</p> <p>U_CONFIG CONFIG.SchDoc</p> <p>U_DDR4-RAM DDR4-RAM.SchDoc</p> <p>U_DDR4-RAM_2 DDR4-RAM_2.SchDoc</p> <p>U_DDR4-RAM_3 DDR4-RAM_3.SchDoc</p> <p>U_DDR4-RAM_4 DDR4-RAM_4.SchDoc</p>	<p>U_DDR4-TERM DDR4-TERM.SchDoc</p> <p>U_ZU_POWER ZU_POWER.SchDoc</p> <p>U_ZU_PS_POWER ZU_PS_POWER.SchDoc</p> <p>U_POWER POWER.SchDoc</p> <p>U_POWER_2 POWER_2.SchDoc</p> <p>U_POWER_4 POWER_4.SchDoc</p> <p>U_REV_CH Revision_Changes.SchDoc</p>	
<p>PM1</p> <p>FIDU-DOT - mini PM3</p> <p>FIDU-DOT - mini PM5</p>	<p>PM2</p> <p>FIDU-DOT - mini PM4</p> <p>FIDU-DOT - mini PM6</p>	<p>LOGO1</p> <p>TE Logo PRINT Layer</p> <p>LOGO PRINT</p> <p>Serial Serial Serialnumber 6,3 x 6.3mm</p> <p>S/N OR Serialnumber</p>	<p>Mount.Hole 3.2mm für Unterlegscheibe</p> <p>Mount.Hole 3.2mm für Unterlegscheibe</p> <p>Mount.Hole 3.2mm für Unterlegscheibe</p> <p>Mount.Hole 3.2mm für Unterlegscheibe</p>
<p>1</p>	<p>2</p>	<p>3</p>	<p>4</p>
<p>1</p>	<p>2</p>	<p>3</p>	<p>4</p>



Title: TE0803		
A4	Number: TE0803 04EG-1IB	Rev. 02
Date: 2018-05-21	Copyright: Trenz Electronic GmbH / TT	Page1 of 26
Filename: TE0803.SchDoc		



Title: TE0803 - Connector J1		
A4	Number: TE0803 04EG-11B	Rev. 02
Date: 2018-05-21	Copyright: Trenz Electronic GmbH / TT	Page2 of 26
Filename: J1.SchDoc		

1

2

3

4

A

A

B

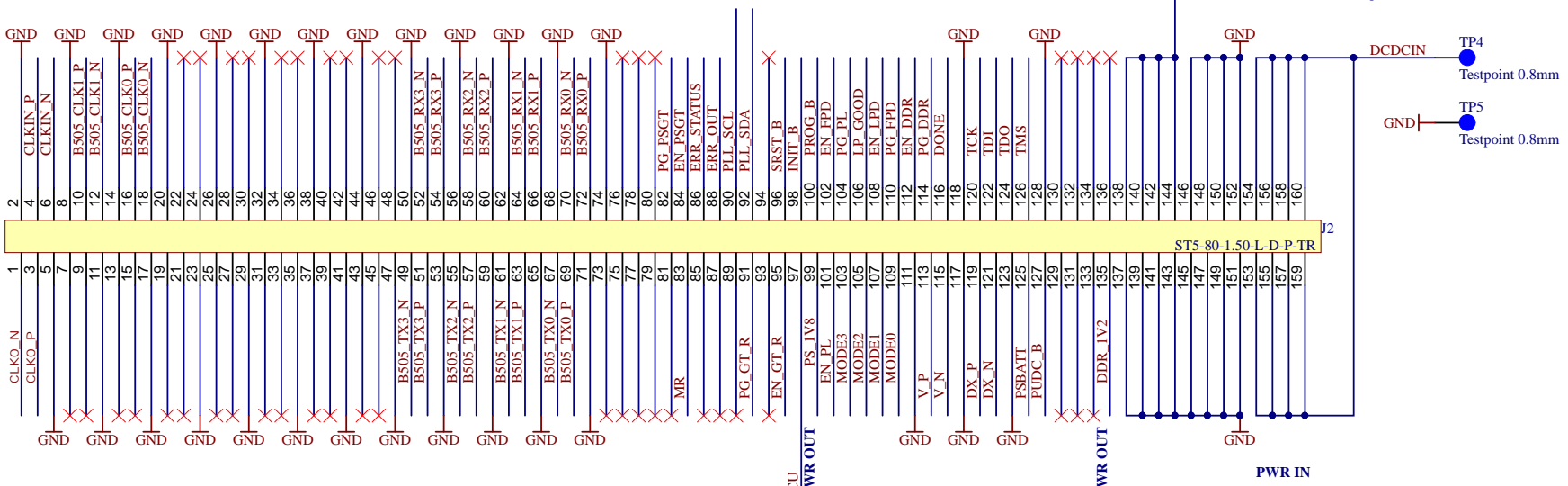
B

C

C

D

D



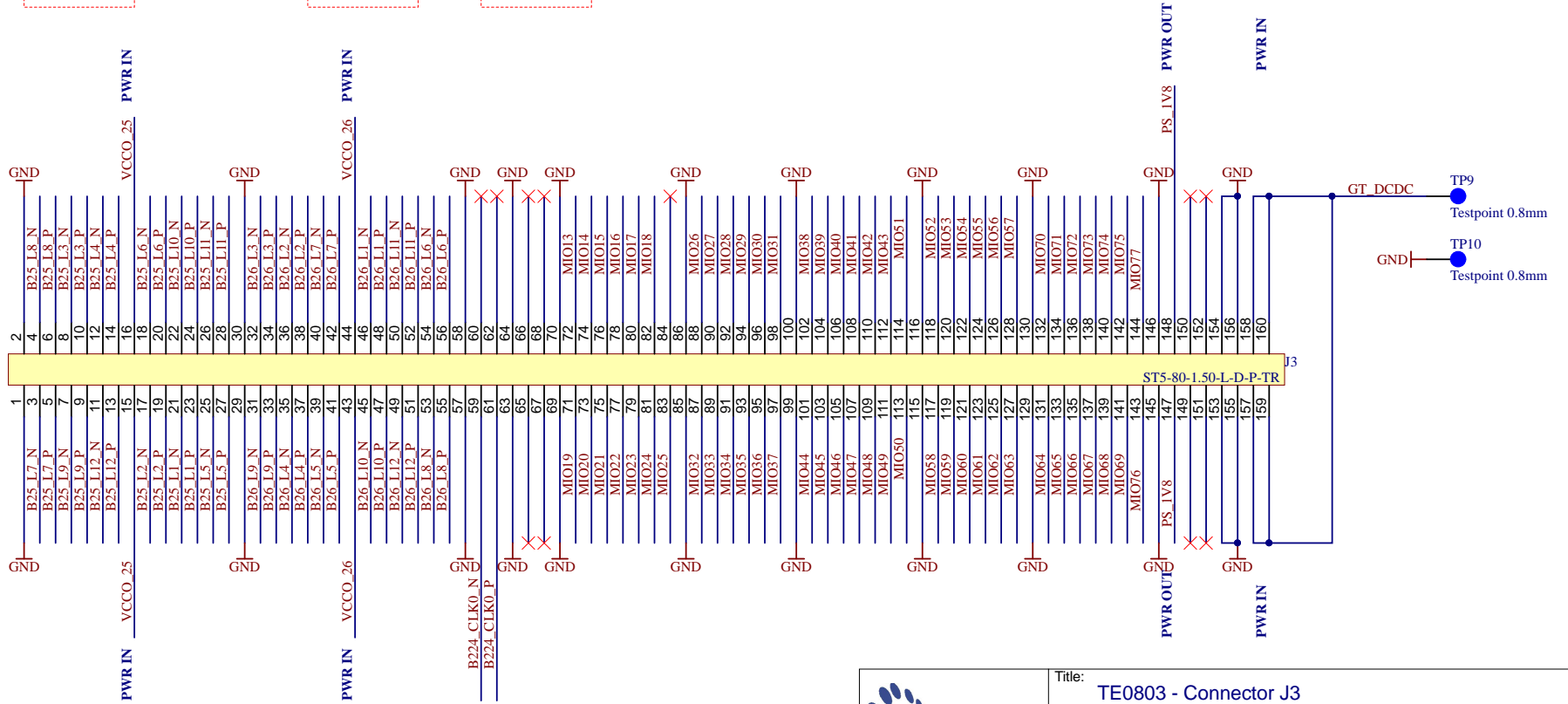
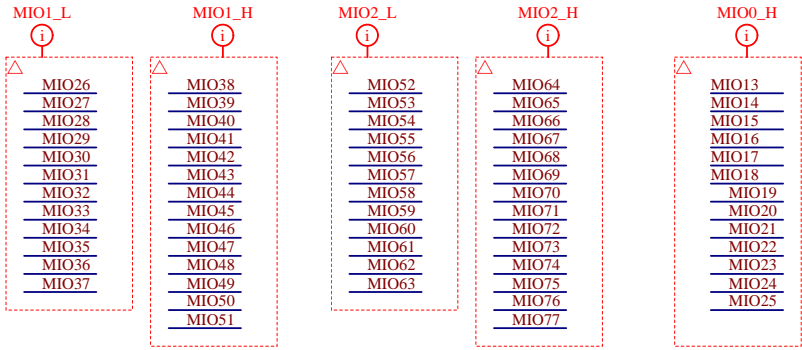
Title: TE0803 - Connector J2		
A4	Number: TE0803 04EG-11B	Rev. 02
Date: 2018-05-21	Copyright: Trenz Electronic GmbH / TT	Page3 of 26
Filename: J2.SchDoc		

1

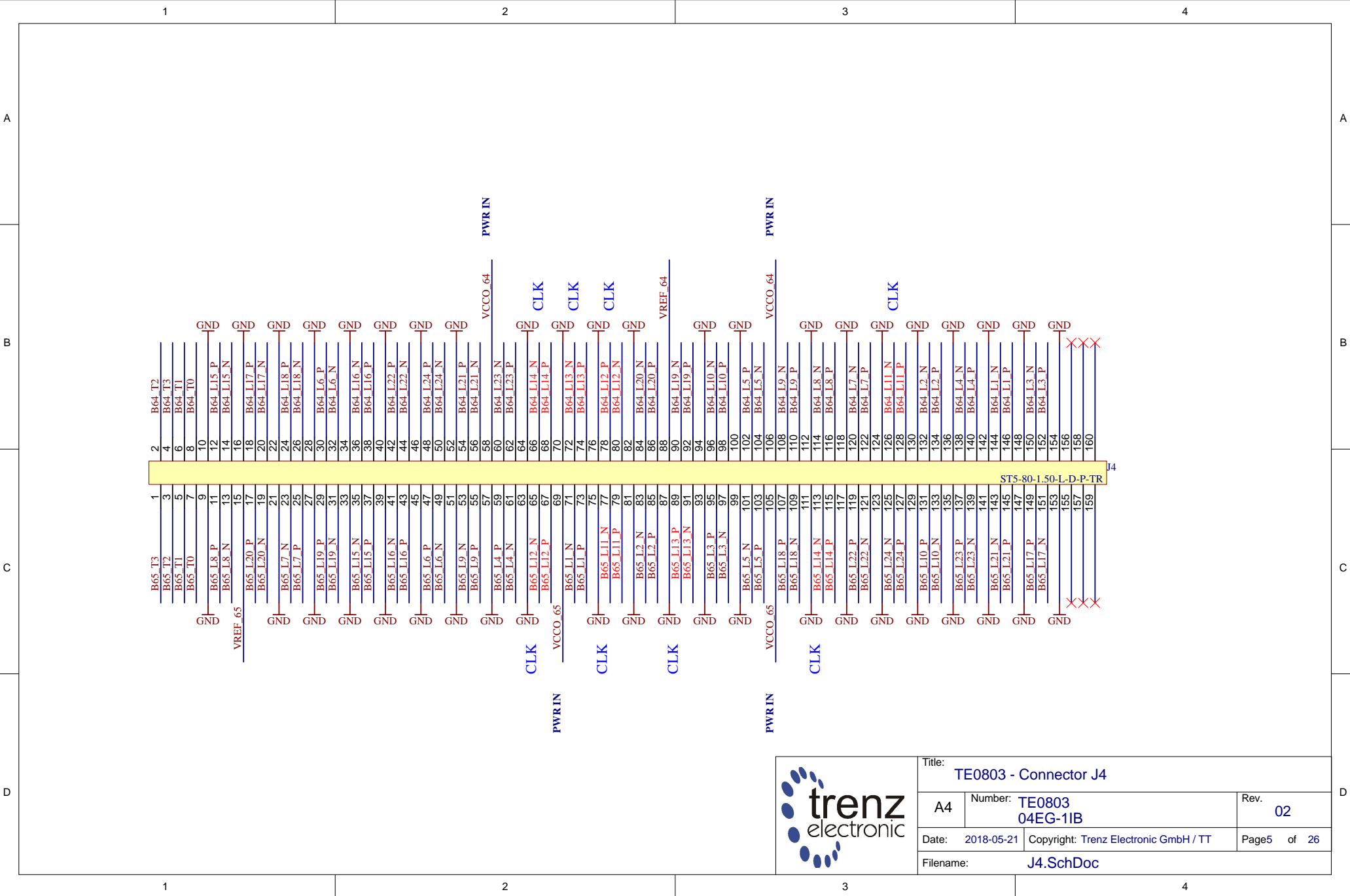
2

3

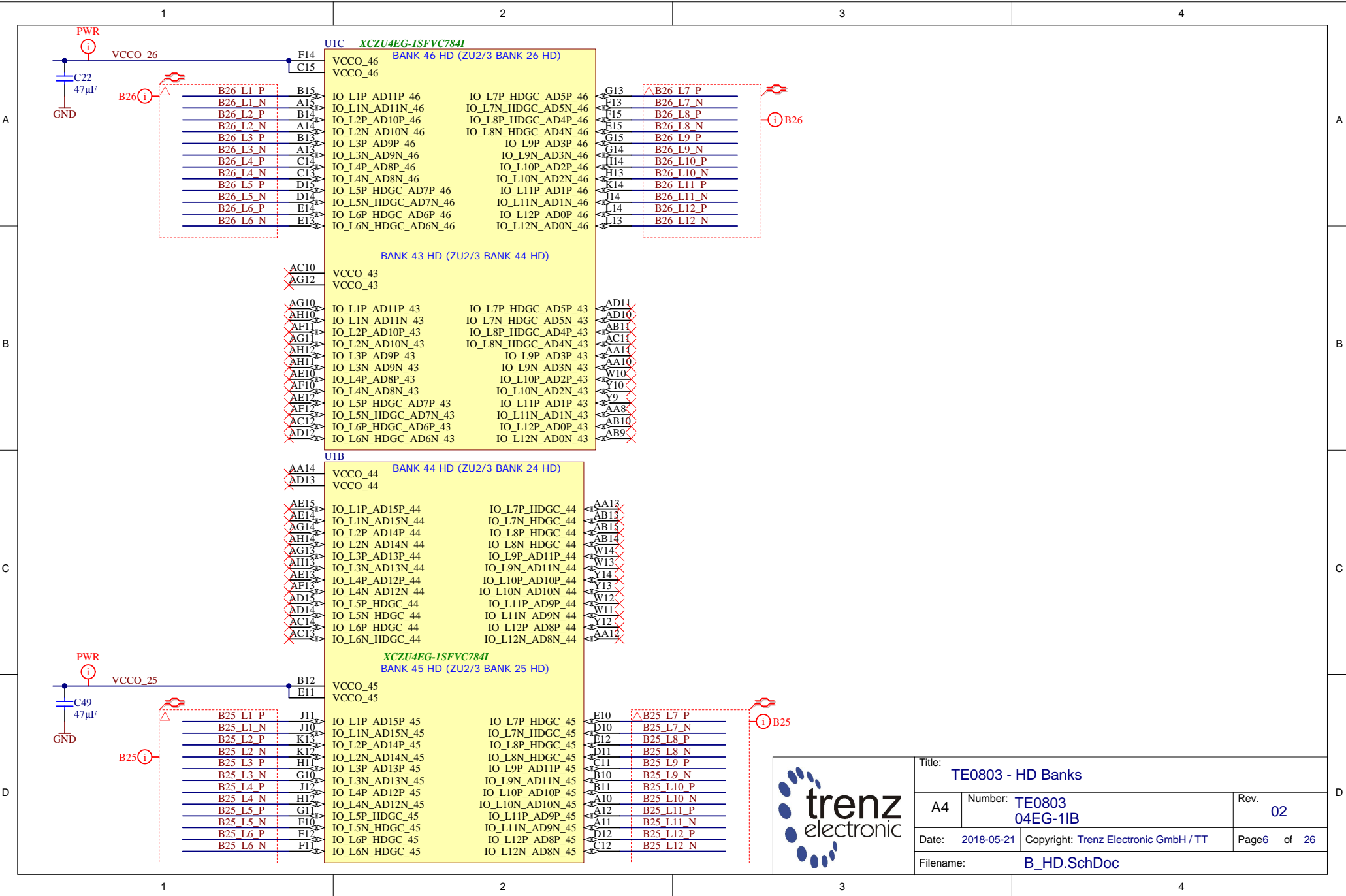
4



	Title: TE0803 - Connector J3	
	A4	Number: TE0803 04EG-11B
	Date: 2018-05-21	Copyright: Trenz Electronic GmbH / TT
	Rev. 02	Page4 of 26
Filename: J3.SchDoc		



Title: TE0803 - Connector J4		
A4	Number: TE0803 04EG-11B	Rev. 02
Date: 2018-05-21	Copyright: Trenz Electronic GmbH / TT	Page5 of 26
Filename: J4.SchDoc		



UIC XCZU4EG-1SFVC7841
BANK 46 HD (ZU2/3 BANK 26 HD)

VCCO_46	VCCO_46
IO_L1P_AD11P_46	IO_L7P_HDGC_AD5P_46
IO_L1N_AD11N_46	IO_L7N_HDGC_AD5N_46
IO_L2P_AD10P_46	IO_L8P_HDGC_AD4P_46
IO_L2N_AD10N_46	IO_L8N_HDGC_AD4N_46
IO_L3P_AD9P_46	IO_L9P_AD3P_46
IO_L3N_AD9N_46	IO_L9N_AD3N_46
IO_L4P_AD8P_46	IO_L10P_AD2P_46
IO_L4N_AD8N_46	IO_L10N_AD2N_46
IO_L5P_HDGC_AD7P_46	IO_L11P_AD1P_46
IO_L5N_HDGC_AD7N_46	IO_L11N_AD1N_46
IO_L6P_HDGC_AD6P_46	IO_L12P_AD0P_46
IO_L6N_HDGC_AD6N_46	IO_L12N_AD0N_46

G13	B26 L7 P
F13	B26 L7 N
F15	B26 L8 P
F15	B26 L8 N
G15	B26 L9 P
G14	B26 L9 N
H14	B26 L10 P
H13	B26 L10 N
K14	B26 L11 P
J14	B26 L11 N
L14	B26 L12 P
L13	B26 L12 N

BANK 43 HD (ZU2/3 BANK 44 HD)

VCCO_43	VCCO_43
IO_L1P_AD11P_43	IO_L7P_HDGC_AD5P_43
IO_L1N_AD11N_43	IO_L7N_HDGC_AD5N_43
IO_L2P_AD10P_43	IO_L8P_HDGC_AD4P_43
IO_L2N_AD10N_43	IO_L8N_HDGC_AD4N_43
IO_L3P_AD9P_43	IO_L9P_AD3P_43
IO_L3N_AD9N_43	IO_L9N_AD3N_43
IO_L4P_AD8P_43	IO_L10P_AD2P_43
IO_L4N_AD8N_43	IO_L10N_AD2N_43
IO_L5P_HDGC_AD7P_43	IO_L11P_AD1P_43
IO_L5N_HDGC_AD7N_43	IO_L11N_AD1N_43
IO_L6P_HDGC_AD6P_43	IO_L12P_AD0P_43
IO_L6N_HDGC_AD6N_43	IO_L12N_AD0N_43

AD11	
AD10	
AB11	
AC11	
AA11	
AA10	
W10	
Y10	
Y9	
AA8	
AB10	
AB9	

UIB
BANK 44 HD (ZU2/3 BANK 24 HD)

VCCO_44	VCCO_44
IO_L1P_AD15P_44	IO_L7P_HDGC_44
IO_L1N_AD15N_44	IO_L7N_HDGC_44
IO_L2P_AD14P_44	IO_L8P_HDGC_44
IO_L2N_AD14N_44	IO_L8N_HDGC_44
IO_L3P_AD13P_44	IO_L9P_AD11P_44
IO_L3N_AD13N_44	IO_L9N_AD11N_44
IO_L4P_AD12P_44	IO_L10P_AD10P_44
IO_L4N_AD12N_44	IO_L10N_AD10N_44
IO_L5P_HDGC_44	IO_L11P_AD9P_44
IO_L5N_HDGC_44	IO_L11N_AD9N_44
IO_L6P_HDGC_44	IO_L12P_AD8P_44
IO_L6N_HDGC_44	IO_L12N_AD8N_44

AA13	
AB13	
AB15	
AB14	
W14	
W13	
Y14	
Y13	
W12	
W11	
Y12	
AA12	

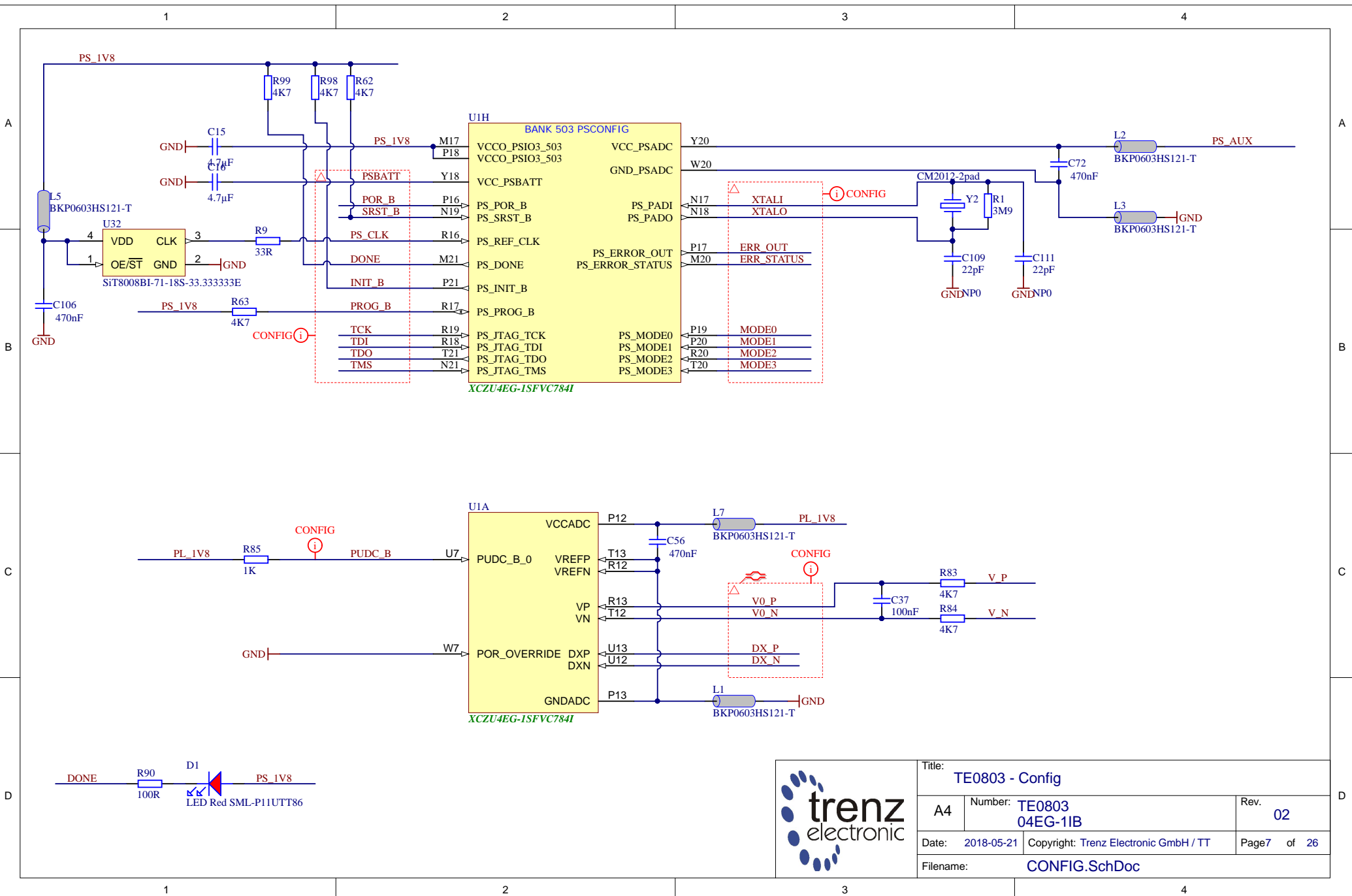
XCZU4EG-1SFVC7841
BANK 45 HD (ZU2/3 BANK 25 HD)

VCCO_45	VCCO_45
IO_L1P_AD15P_45	IO_L7P_HDGC_45
IO_L1N_AD15N_45	IO_L7N_HDGC_45
IO_L2P_AD14P_45	IO_L8P_HDGC_45
IO_L2N_AD14N_45	IO_L8N_HDGC_45
IO_L3P_AD13P_45	IO_L9P_AD11P_45
IO_L3N_AD13N_45	IO_L9N_AD11N_45
IO_L4P_AD12P_45	IO_L10P_AD10P_45
IO_L4N_AD12N_45	IO_L10N_AD10N_45
IO_L5P_HDGC_45	IO_L11P_AD9P_45
IO_L5N_HDGC_45	IO_L11N_AD9N_45
IO_L6P_HDGC_45	IO_L12P_AD8P_45
IO_L6N_HDGC_45	IO_L12N_AD8N_45

E10	B25 L7 P
D10	B25 L7 N
E12	B25 L8 P
D11	B25 L8 N
C11	B25 L9 P
B10	B25 L9 N
B11	B25 L10 P
A10	B25 L10 N
A12	B25 L11 P
A11	B25 L11 N
D12	B25 L12 P
C12	B25 L12 N



Title: TE0803 - HD Banks		
A4	Number: TE0803 04EG-1IB	Rev. 02
Date: 2018-05-21	Copyright: Trenz Electronic GmbH / TT	Page6 of 26
Filename: B_HD.SchDoc		



Title: TE0803 - Config		
A4	Number: TE0803 04EG-1IB	Rev. 02
Date: 2018-05-21	Copyright: Trenz Electronic GmbH / TT	Page7 of 26
Filename: CONFIG.SchDoc		

1

2

3

4

A

A

B

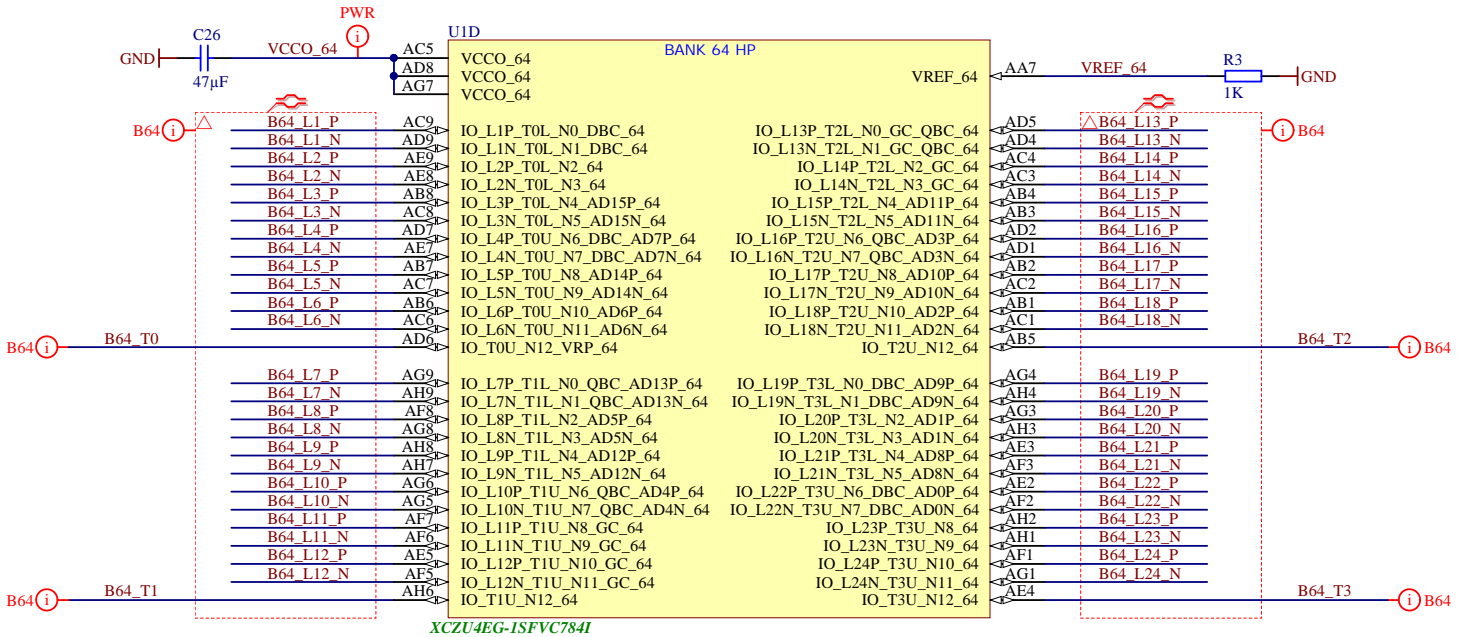
B

C

C

D

D



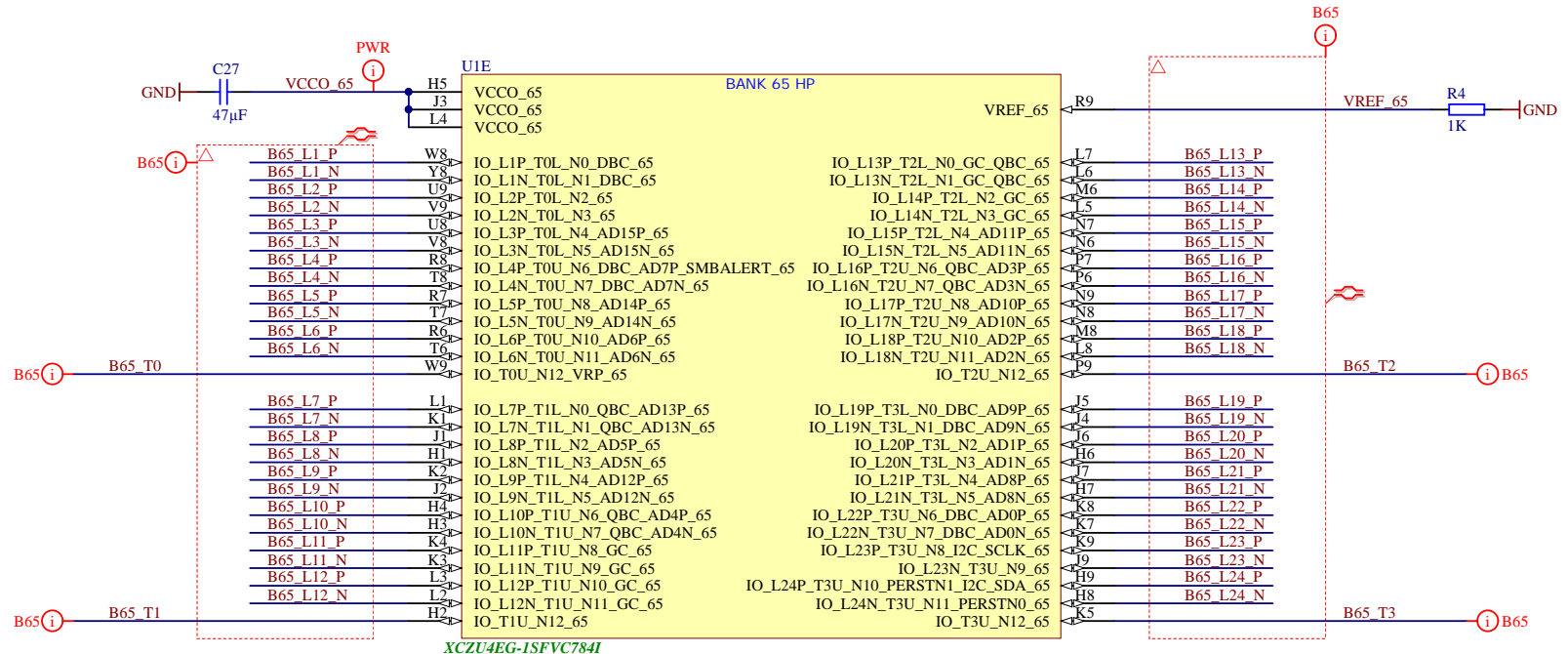
	Title: TE0803 - B64	
	A4	Number: TE0803 04EG-1IB
	Date: 2018-05-21	Copyright: Trenz Electronic GmbH / TT
	Rev. 02	Page8 of 26
Filename: B64.SchDoc		

1

2

3

4



Title: TE0803 - B65		
A4	Number: TE0803 04EG-1IB	Rev. 02
Date: 2018-05-21	Copyright: Trenz Electronic GmbH / TT	Page9 of 26
Filename: B65.SchDoc		

1

2

3

4

A

A

B

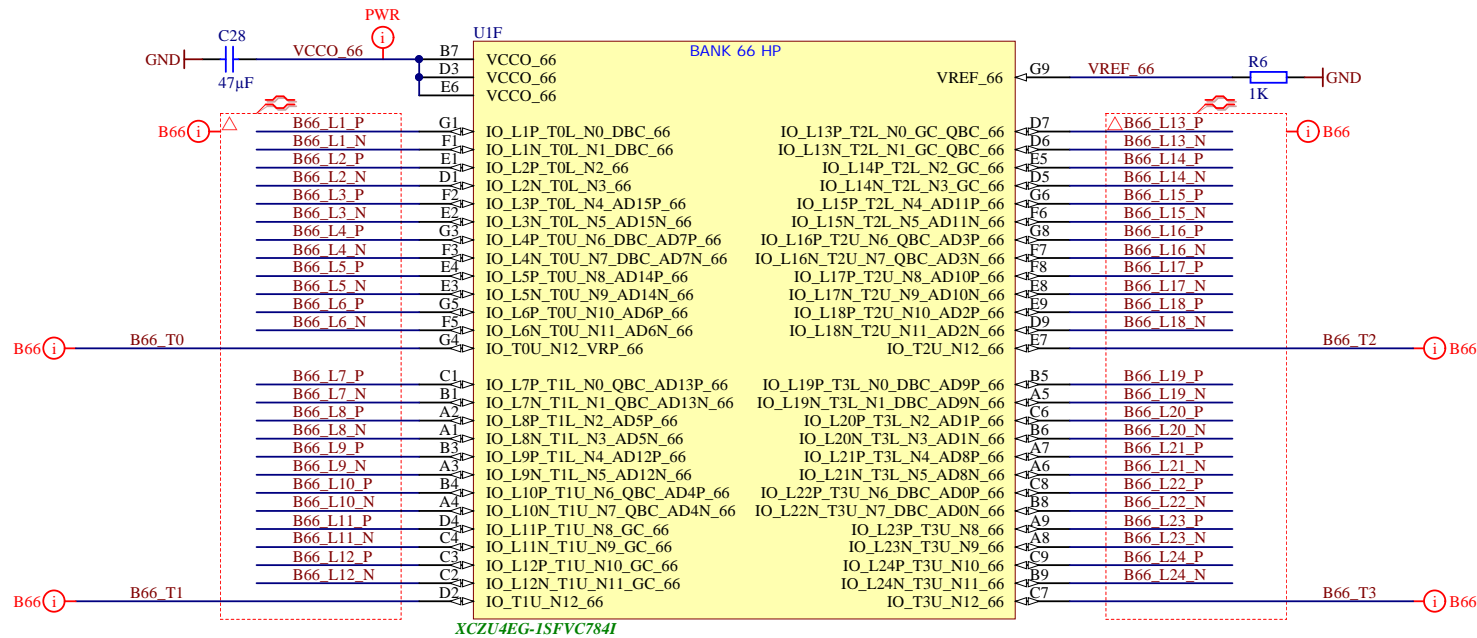
B

C

C

D

D



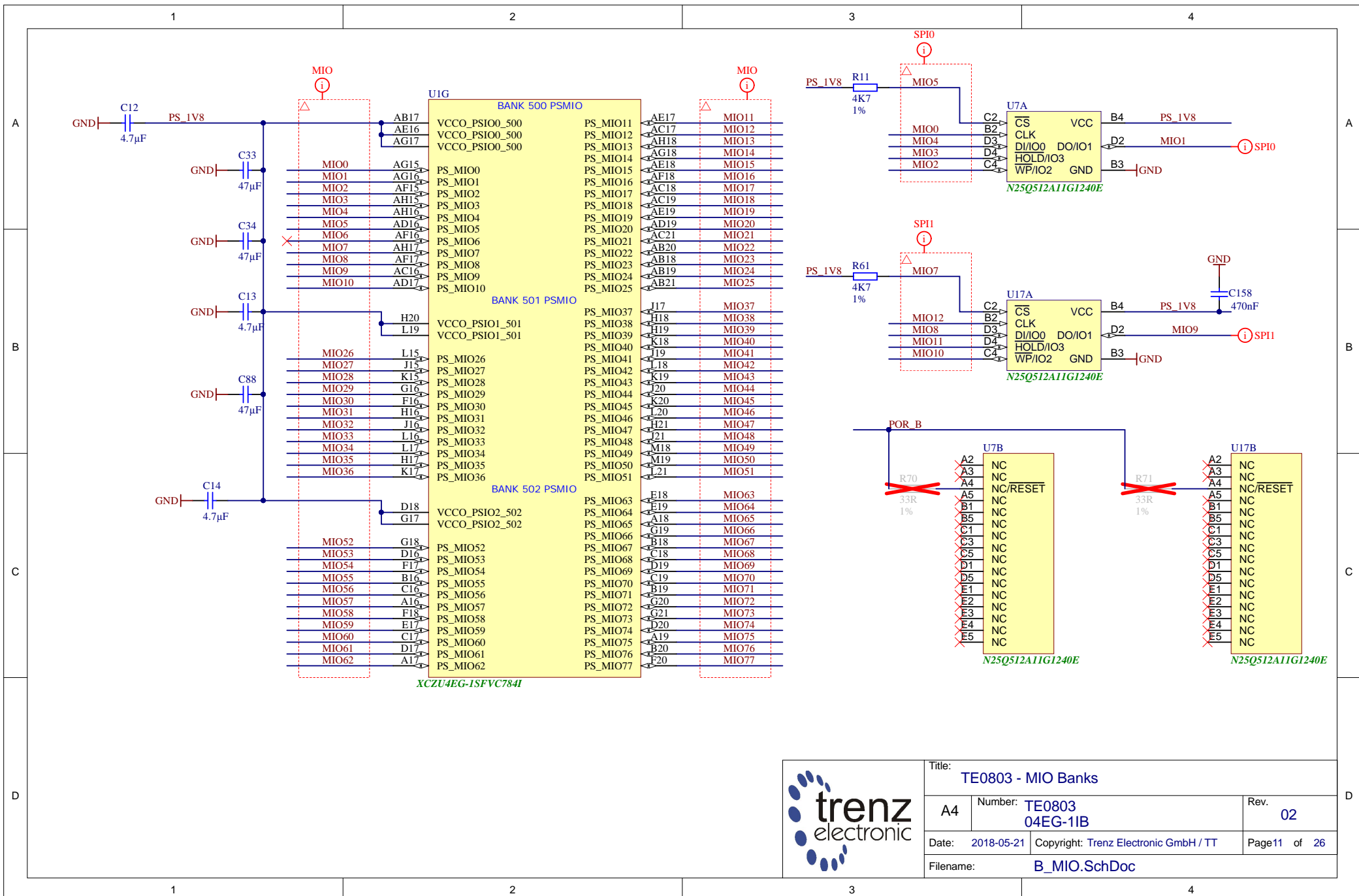
Title: TE0803 - B66		
A4	Number: TE0803 04EG-11B	Rev. 02
Date: 2018-05-21	Copyright: Trenz Electronic GmbH / TT	Page10 of 26
Filename: B66.SchDoc		

1

2

3

4



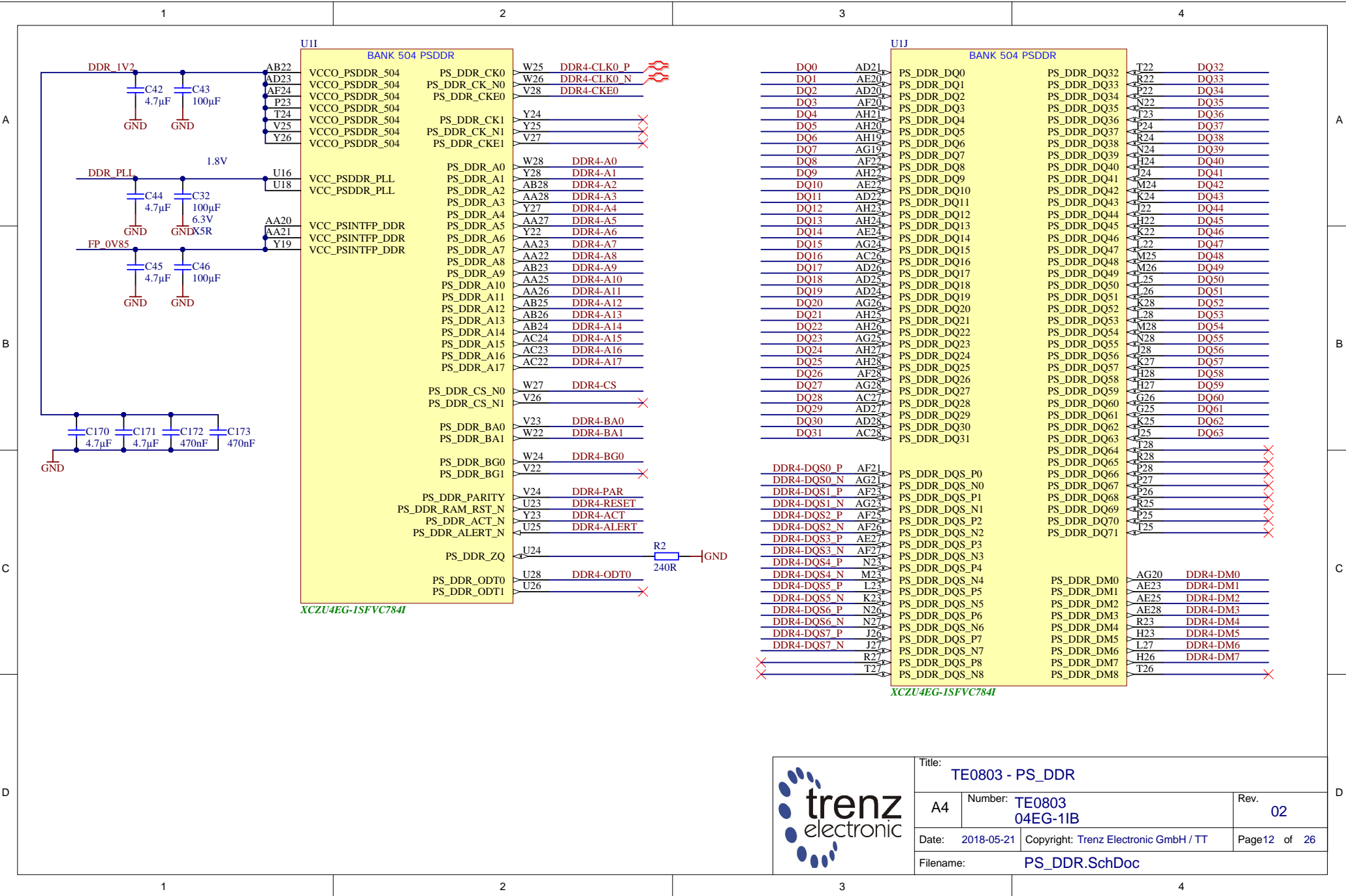
	Title: TE0803 - MIO Banks	
	A4	Number: TE0803 04EG-1IB
	Date: 2018-05-21	Copyright: Trenz Electronic GmbH / TT
	Filename: B_MIO.SchDoc	Page 11 of 26

1

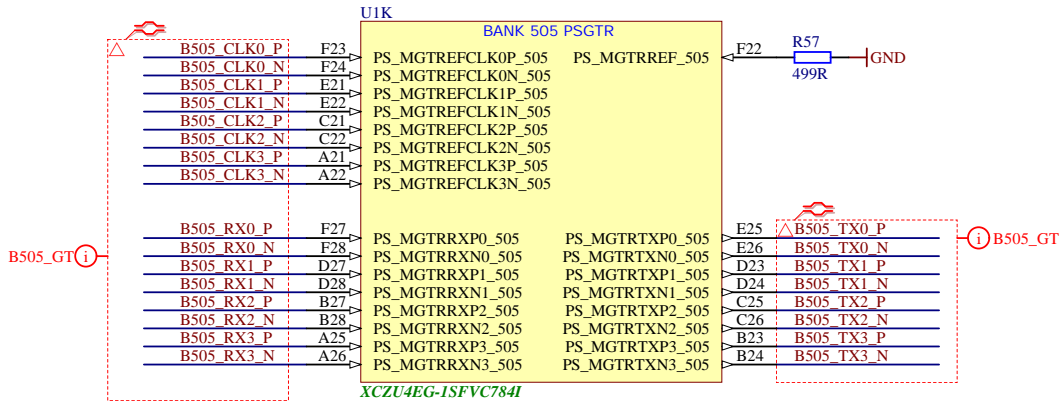
2

3

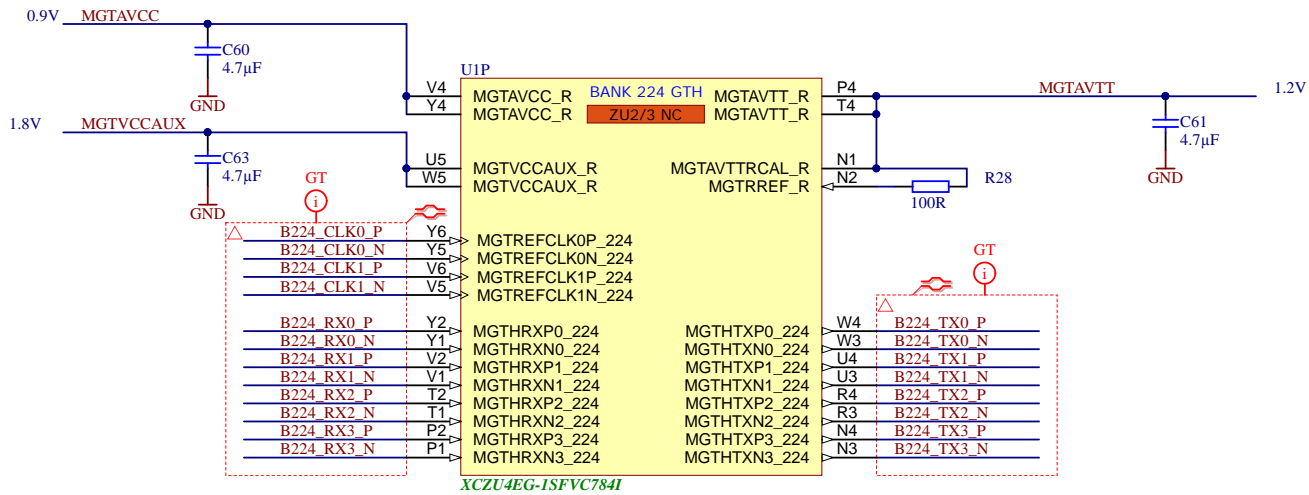
4



Title: TE0803 - PS_DDR		
A4	Number: TE0803 04EG-1IB	Rev. 02
Date: 2018-05-21	Copyright: Trenz Electronic GmbH / TT	Page12 of 26
Filename: PS_DDR.SchDoc		



	Title: TE0803 - PS_GT		
	A4	Number: TE0803 04EG-1IB	Rev. 02
	Date: 2018-05-21	Copyright: Trenz Electronic GmbH / TT	Page13 of 26
	Filename: B_PS_GT.SchDoc		



	Title: TE0803 - B224GTH	
	A4	Number: TE0803 04EG-1IB
	Date: 2018-05-21	Copyright: Trenz Electronic GmbH / TT
	Filename: B_GT.SchDoc	Page 14 of 26

Rev. 02

1

2

3

4

A

A

B

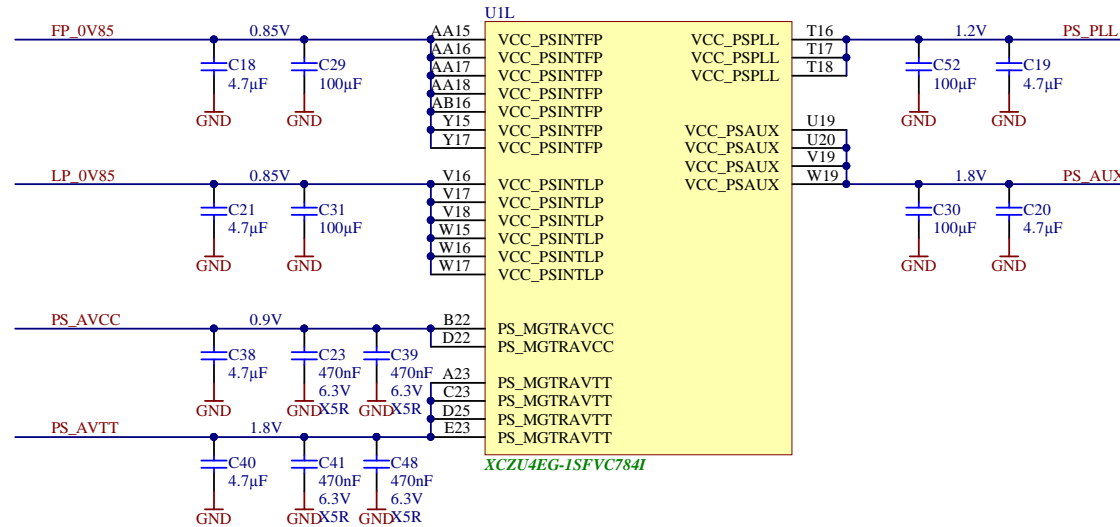
B

C

C

D

D



XCZU4EG-1SFVC784I



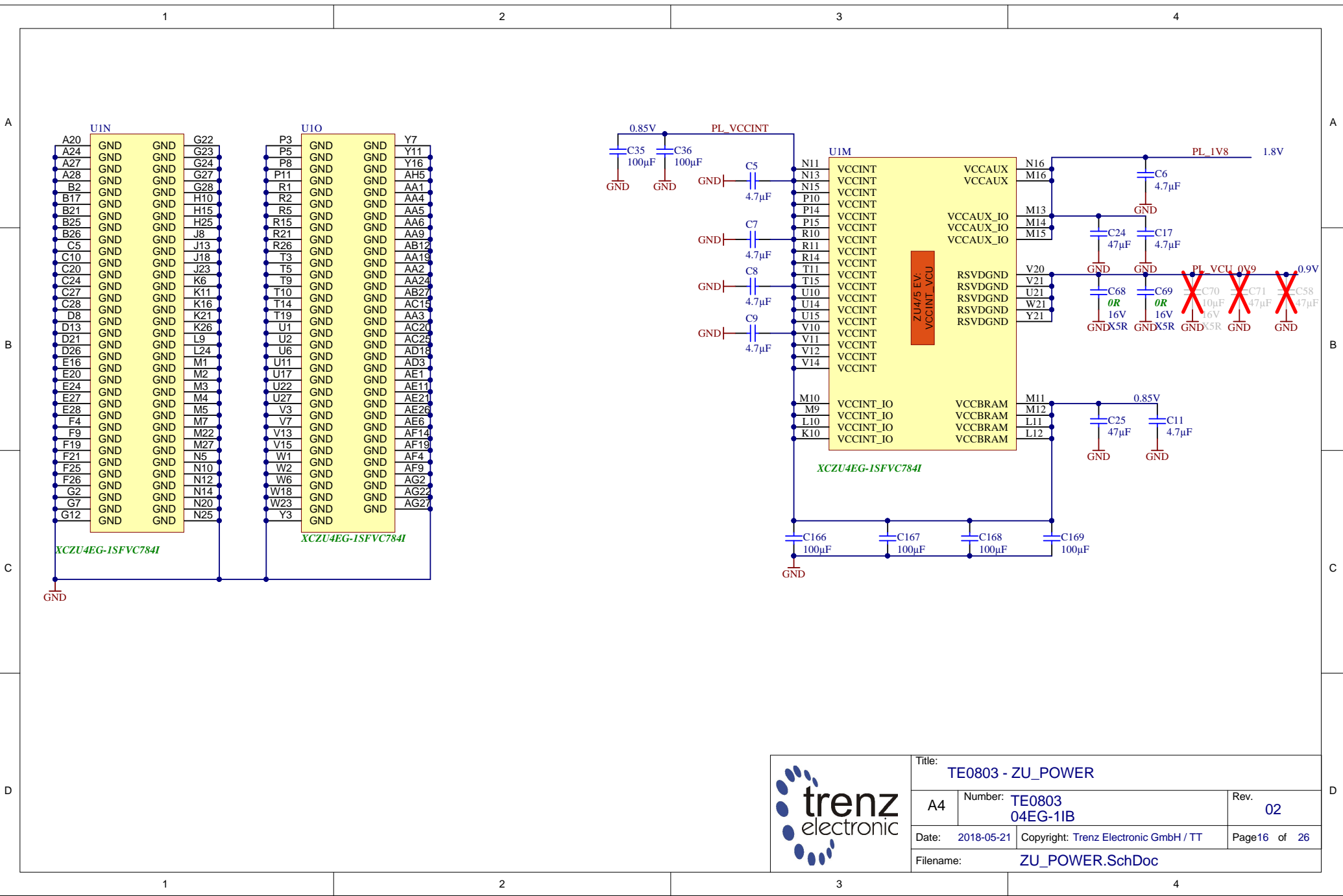
Title: TE0803 - ZU_PS_POWER		
A4	Number: TE0803 04EG-1IB	Rev. 02
Date: 2018-05-21	Copyright: Trenz Electronic GmbH / TT	Page15 of 26
Filename: ZU_PS_POWER.SchDoc		

1

2

3

4



	Title: TE0803 - ZU_POWER	
	A4	Number: TE0803 04EG-1IB
	Date: 2018-05-21	Copyright: Trenz Electronic GmbH / TT
	Filename: ZU_POWER.SchDoc	Page 16 of 26
Rev. 02		

1

2

3

4

A

A

B

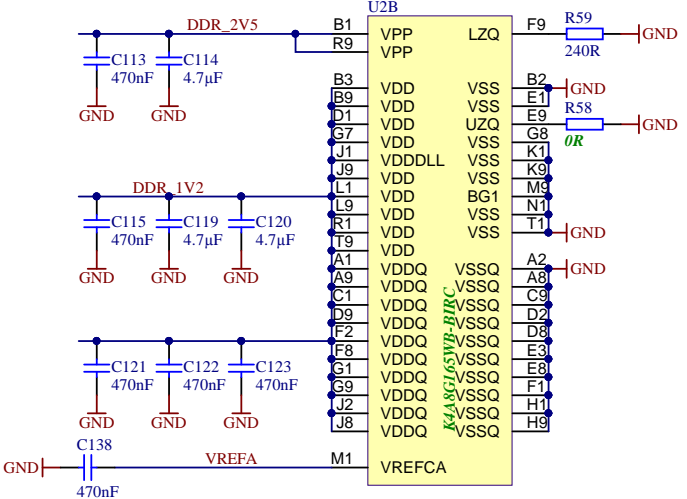
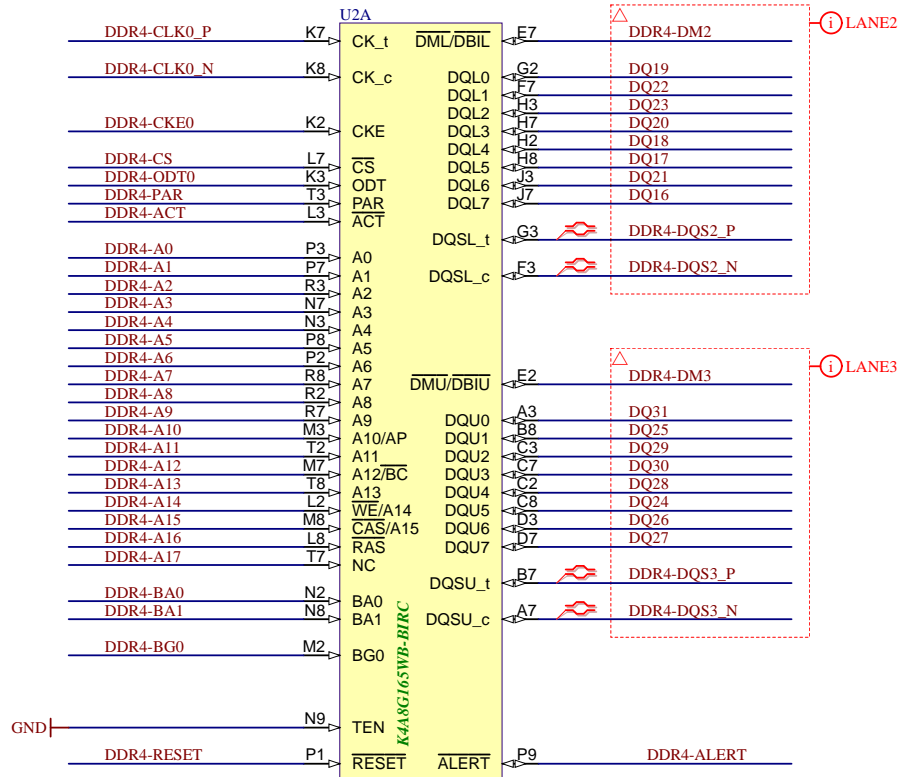
B

C

C

D

D



Title: TE0803 - DDR4_1_RAM		
A4	Number: TE0803 04EG-1IB	Rev. 02
Date: 2018-05-21	Copyright: Trenz Electronic GmbH / TT	Page 17 of 26
Filename: DDR4-RAM.SchDoc		

1

2

3

4

1

2

3

4

A

A

B

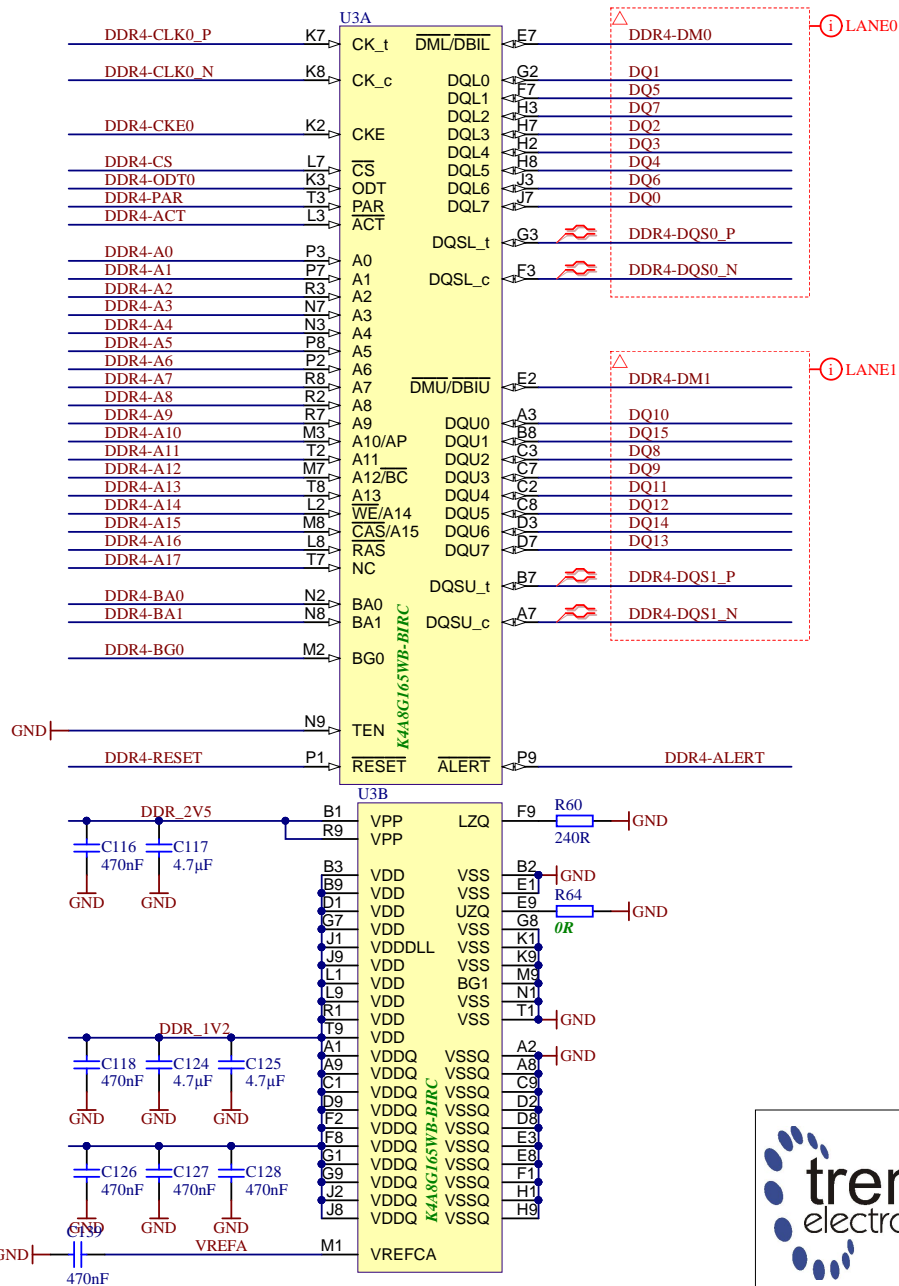

B

C

C

D

D

Title: TE0803 - DDR4_2_RAM		
A4	Number: TE0803 04EG-1IB	Rev. 02
Date: 2018-05-21	Copyright: Trenz Electronic GmbH / TT	Page18 of 26
Filename: DDR4-RAM_2.SchDoc		

1

2

3

4

1

2

3

4

A

A

B

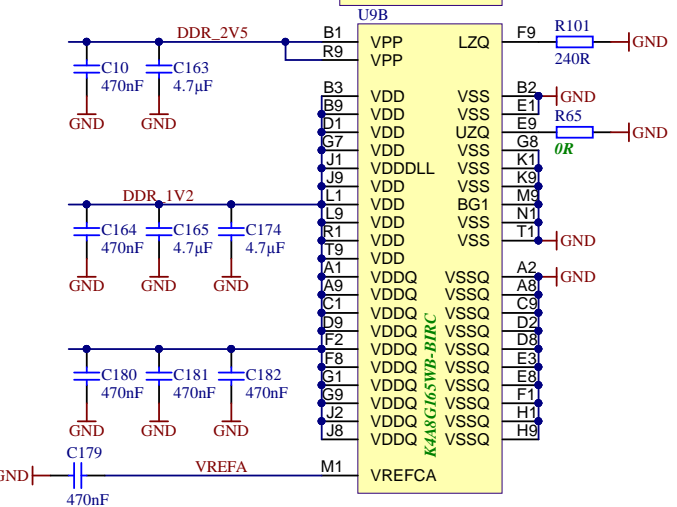
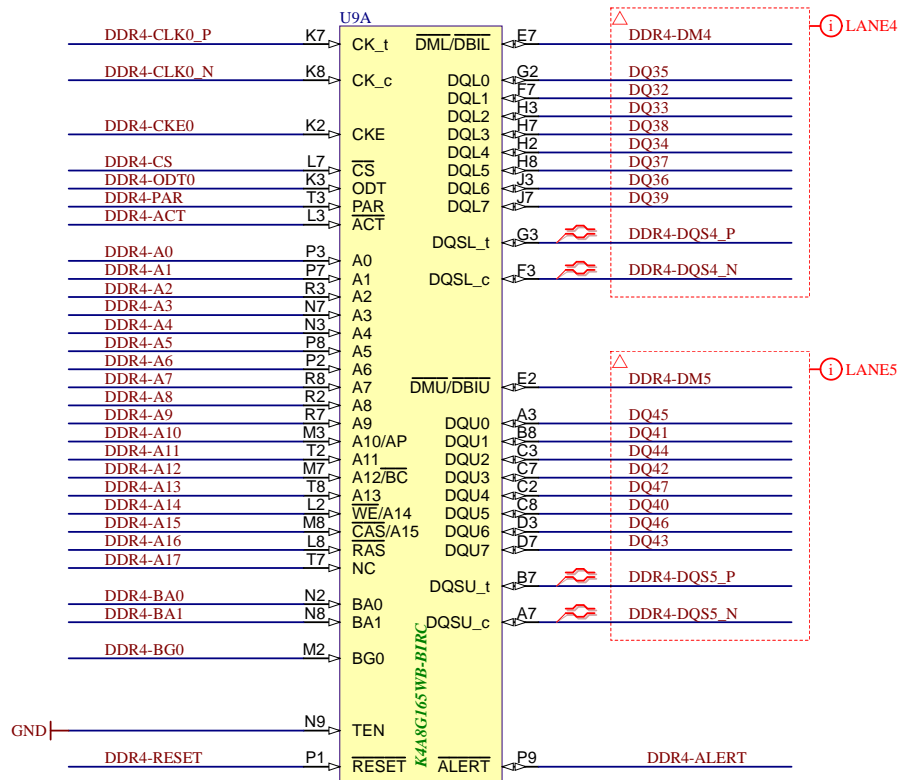
B

C

C

D

D



Title: TE0803 - DDR4_3_RAM		
A4	Number: TE0803 04EG-11B	Rev. 02
Date: 2018-05-21	Copyright: Trenz Electronic GmbH / TT	Page 19 of 26
Filename: DDR4-RAM_3.SchDoc		

1

2

3

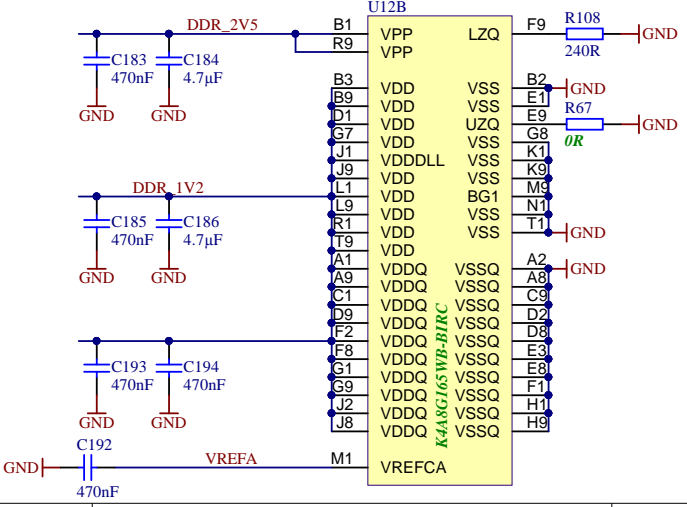
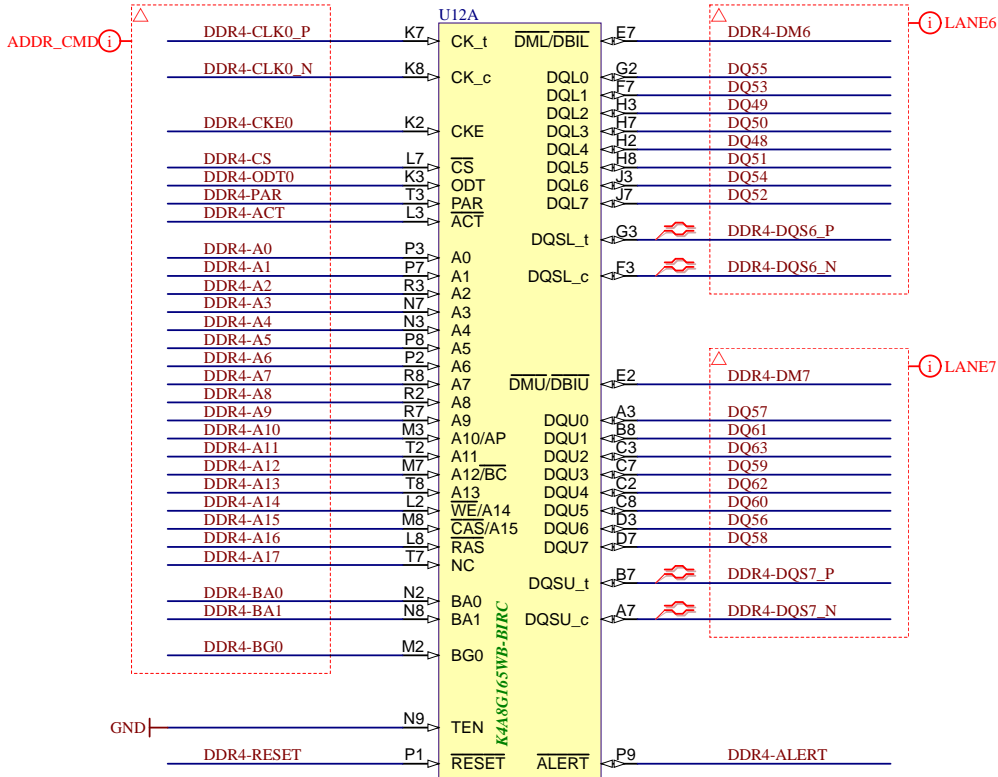
4

1

2

3

4



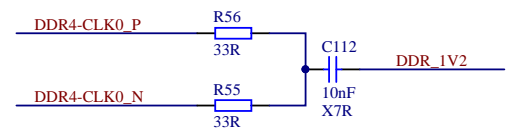
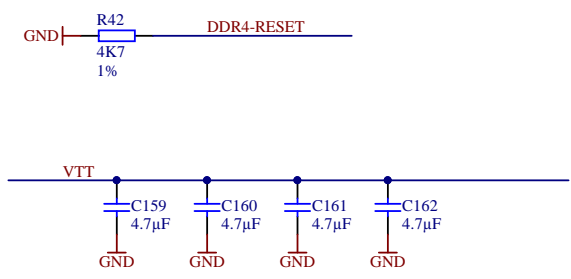
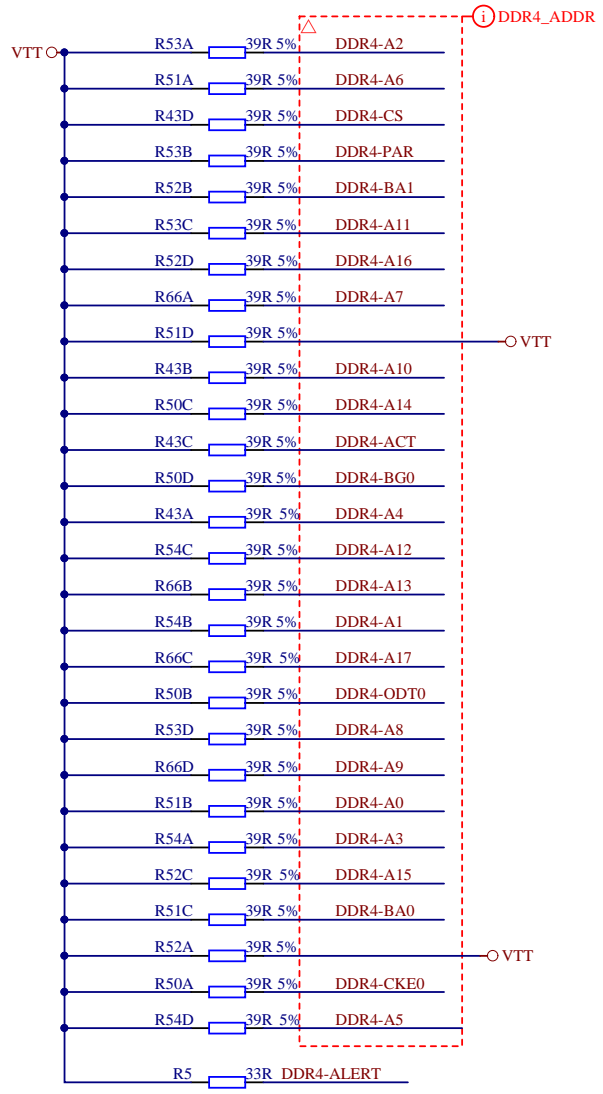
Title: TE0803 - DDR4_4_RAM		
A4	Number: TE0803 04EG-1IB	Rev. 02
Date: 2018-05-21	Copyright: Trenz Electronic GmbH / TT	Page20 of 26
Filename: DDR4-RAM_4.SchDoc		

1

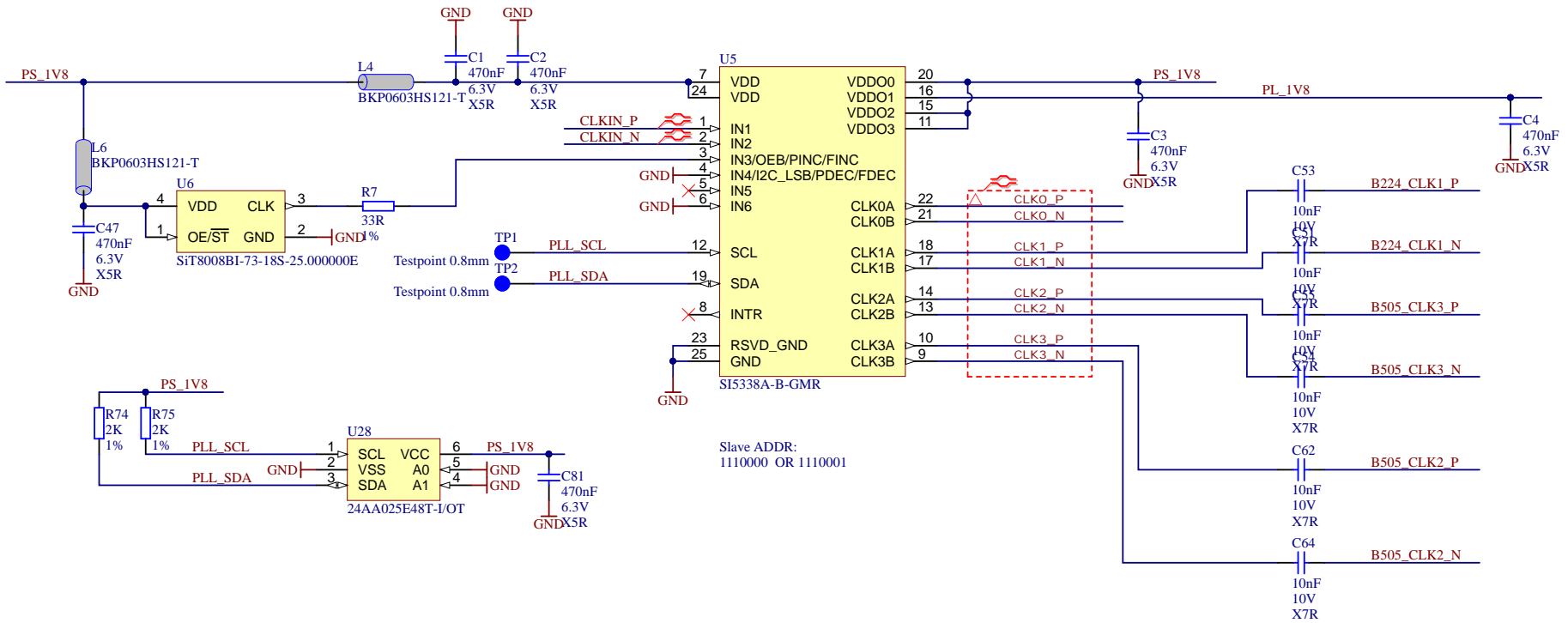
2

3

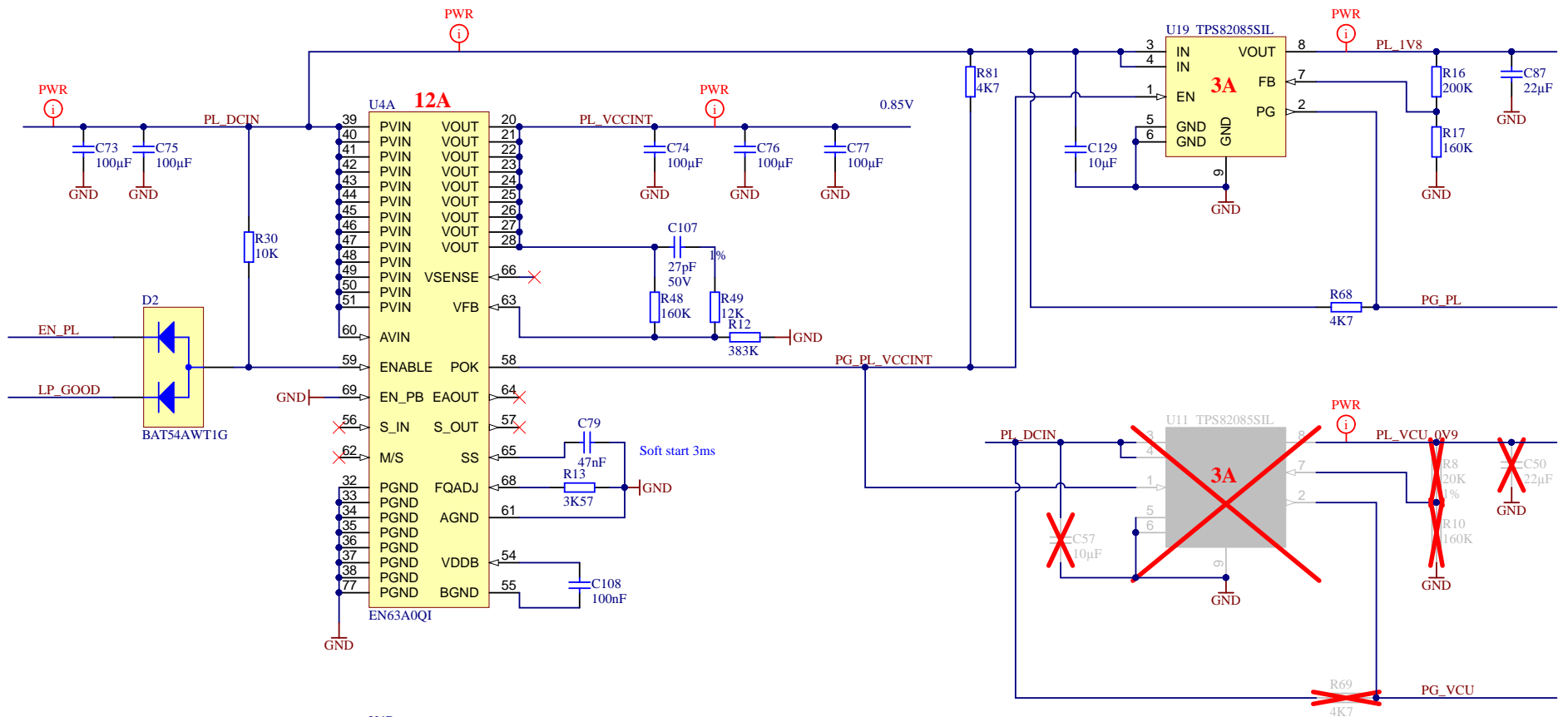
4



Title: TE0803 - DDR4_TERM		
A4	Number: TE0803 04EG-1IB	Rev. 02
Date: 2018-05-21	Copyright: Trenz Electronic GmbH / TT	Page21 of 26
Filename: DDR4-TERM.SchDoc		



Title: TE0803 - CLOCK		
A4	Number: TE0803 04EG-11B	Rev. 02
Date: 2018-05-21	Copyright: Trenz Electronic GmbH / TT	Page22 of 26
Filename: Clock.SchDoc		

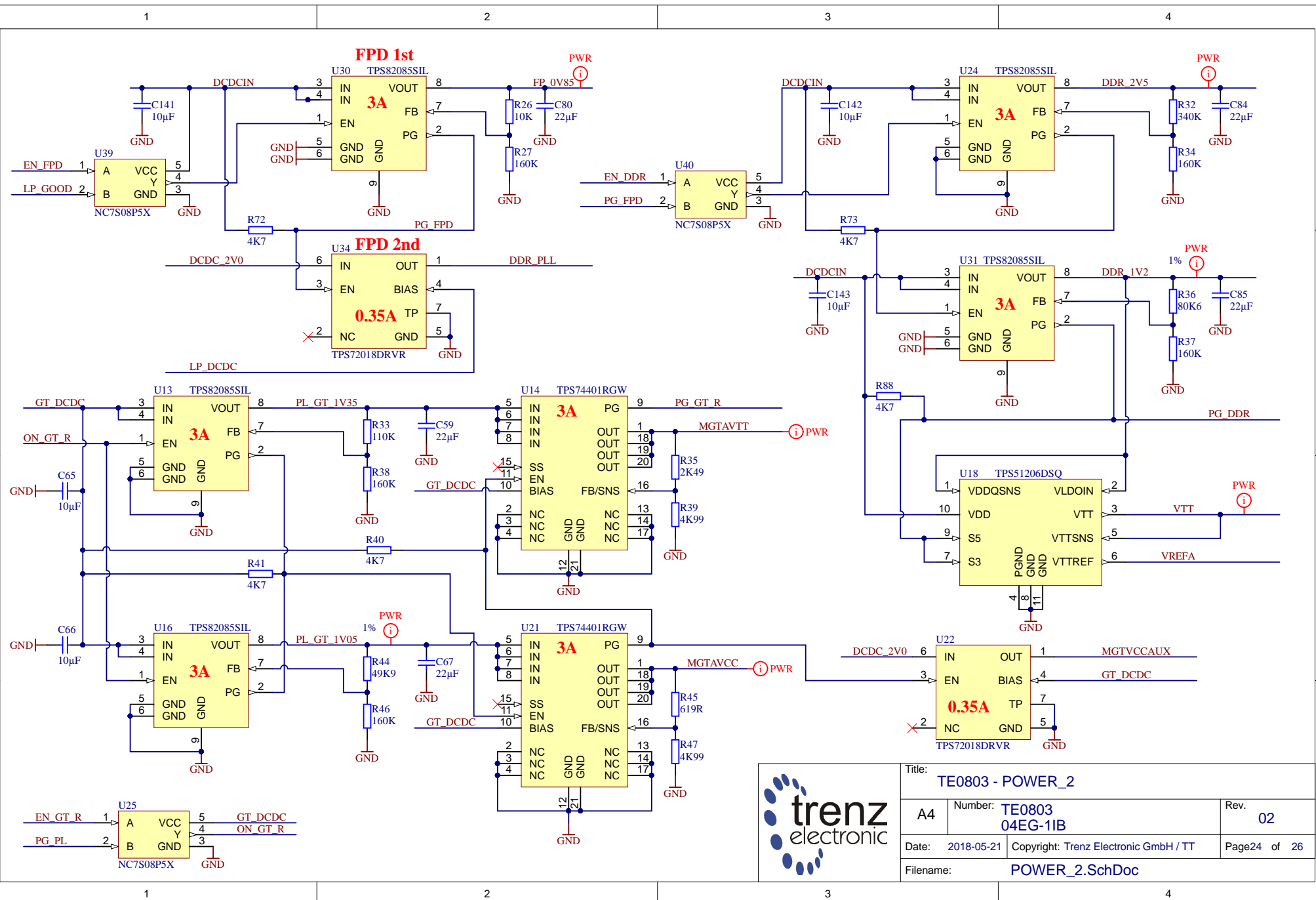


U4B			
1	NC	NC	17
2	NC	NC	18
3	NC	NC	19
4	NC	NC	29
5	NC	NC	30
6	NC	NC(SW)	31
7	NC	NC(SW)	52
8	NC	NC	53
9	NC	NC	67
10	NC	NC(SW)	70
11	NC	NC(SW)	71
12	NC	NC(SW)	72
13	NC	NC	73
14	NC	NC	74
15	NC	NC	75
16	NC	NC	76

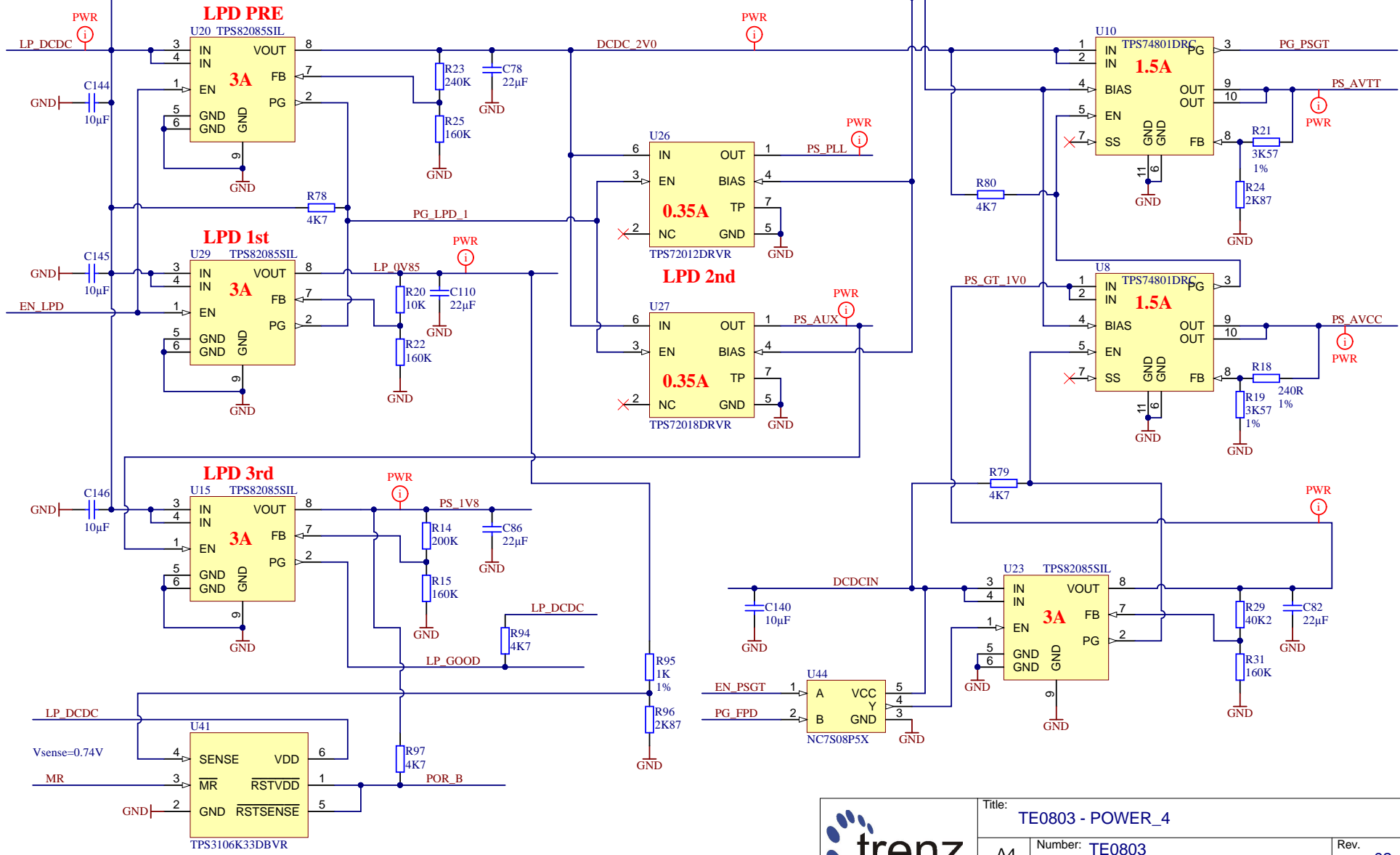
EN63A0QI




Title: TE0803 - POWER		
A4	Number: TE0803 04EG-11B	Rev. 02
Date: 2018-05-21	Copyright: Trenz Electronic GmbH / TT	Page23 of 26
Filename: POWER.SchDoc		



Title: TE0803 - POWER_2		
A4	Number: TE0803 04EG-11B	Rev. 02
Date: 2018-05-21	Copyright: Trenz Electronic GmbH / TT	Page24 of 26
Filename: POWER_2.SchDoc		



			Title: TE0803 - POWER_4	
			A4	Number: TE0803 04EG-11B
Date: 2018-05-21		Copyright: Trenz Electronic GmbH / TT		Rev. 02
Filename: POWER_4.SchDoc		Page 25 of 26		

1

2

3

4

CHANGES REV01a (20.11.2017):

1) VCU voltage set to 0.9V, R20 changed to 40K , PL_VCU_1V0 renamed to PL_VCU_0V9.

CHANGES REV02 (20.06.2018):

- 1) Added LDO to DDR_PLL
- 2) All differential pairs wath length matched with tollerance 0.1mm (excluding package delays)
- 3) Added MAC EEPROM U28
- 4) VPS_MGTRAVCC set to 0.85V
- 5) Added pull-up resistors R68,R69

A

A

B

B

C

C

D

D



Title: TE0803 - Changes list		
A4	Number: TE0803 04EG-1IB	Rev. 02
Date: 2018-05-21	Copyright: Trenz Electronic GmbH	Page26 of 26
Filename: Revision_Changes.SchDoc		

1

2

3

4