

1

2

3

4

U_J1
J1.SchDoc

U_J2
J2.SchDoc

U_J3
J3.SchDoc

U_J4
J4.SchDoc

U_DDR4-TERM
DDR4-TERM.SchDoc

U_B64
B64.SchDoc

U_B65
B65.SchDoc

U_B66
B66.SchDoc

U_B_GT
B_GT.SchDoc

U_B_PS_GT
B_PS_GT.SchDoc

U_PS_DDR
PS_DDR.SchDoc

U_B_MIO
B_MIO.SchDoc

U_B_HD
B_HD.SchDoc

U_Clock
Clock.SchDoc

U_CONFIG
CONFIG.SchDoc

U_DDR4-RAM
DDR4-RAM.SchDoc

U_DDR4-RAM_2
DDR4-RAM_2.SchDoc

U_DDR4-RAM_3
DDR4-RAM_3.SchDoc

U_DDR4-RAM_4
DDR4-RAM_4.SchDoc

U_DDR4-TERM
DDR4-TERM.SchDoc

U_ZU_POWER
ZU_POWER.SchDoc

U_ZU_PS_POWER
ZU_PS_POWER.SchDoc

U_POWER
POWER.SchDoc

U_POWER_2
POWER_2.SchDoc

U_POWER_4
POWER_4.SchDoc

U_REV_CH
Revision_Changes.SchDoc



FIDU-DOT - mini PM3 FIDU-DOT - mini PM4



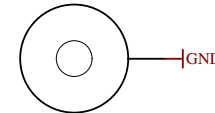
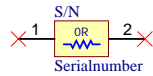
FIDU-DOT - mini PM5 FIDU-DOT - mini PM6



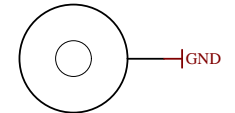
FIDU-DOT - mini FIDU-DOT - mini

LOGO1
TE Logo PRINT Layer
LOGO PRINT

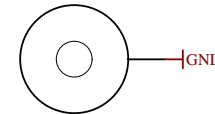
Serial
Serialnumber 6,3 x 6,3mm



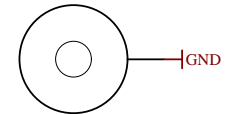
Mount.Hole 3.2mm für Unterlegscheibe



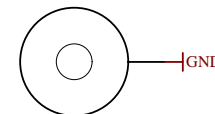
Mount.Hole 3.2mm für Unterlegscheibe



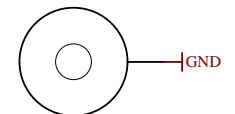
Mount.Hole 3.2mm für Unterlegscheibe



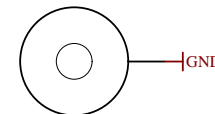
Mount.Hole 3.2mm für Unterlegscheibe



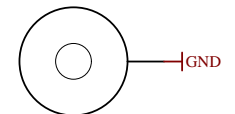
Mount.Hole 3.2mm für Unterlegscheibe



Mount.Hole 3.2mm für Unterlegscheibe



Mount.Hole 3.2mm für Unterlegscheibe



Mount.Hole 3.2mm für Unterlegscheibe



Title: TE0803		
A4	Number: TE0803 04EG-1ID	Rev. 02
Date: 2018-05-21	Copyright: Trenz Electronic GmbH / TT	Page1 of 26
Filename: TE0803.SchDoc		

1

2

3

4

A

A

B

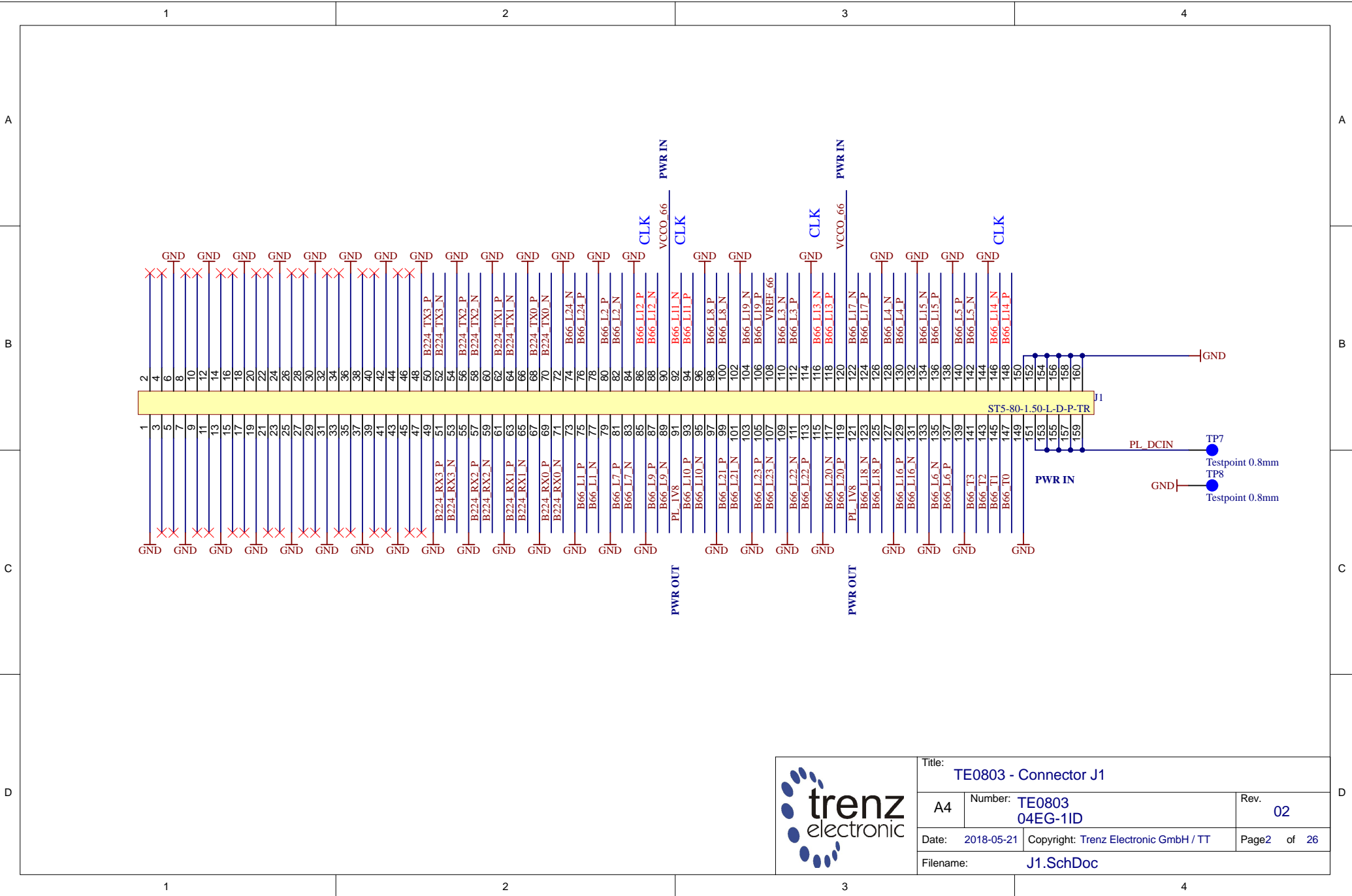
B

C

C

D

D



Title: TE0803 - Connector J1		
A4	Number: TE0803 04EG-1ID	Rev. 02
Date: 2018-05-21	Copyright: Trenz Electronic GmbH / TT	Page2 of 26
Filename: J1.SchDoc		

1

2

3

4

A

A

B

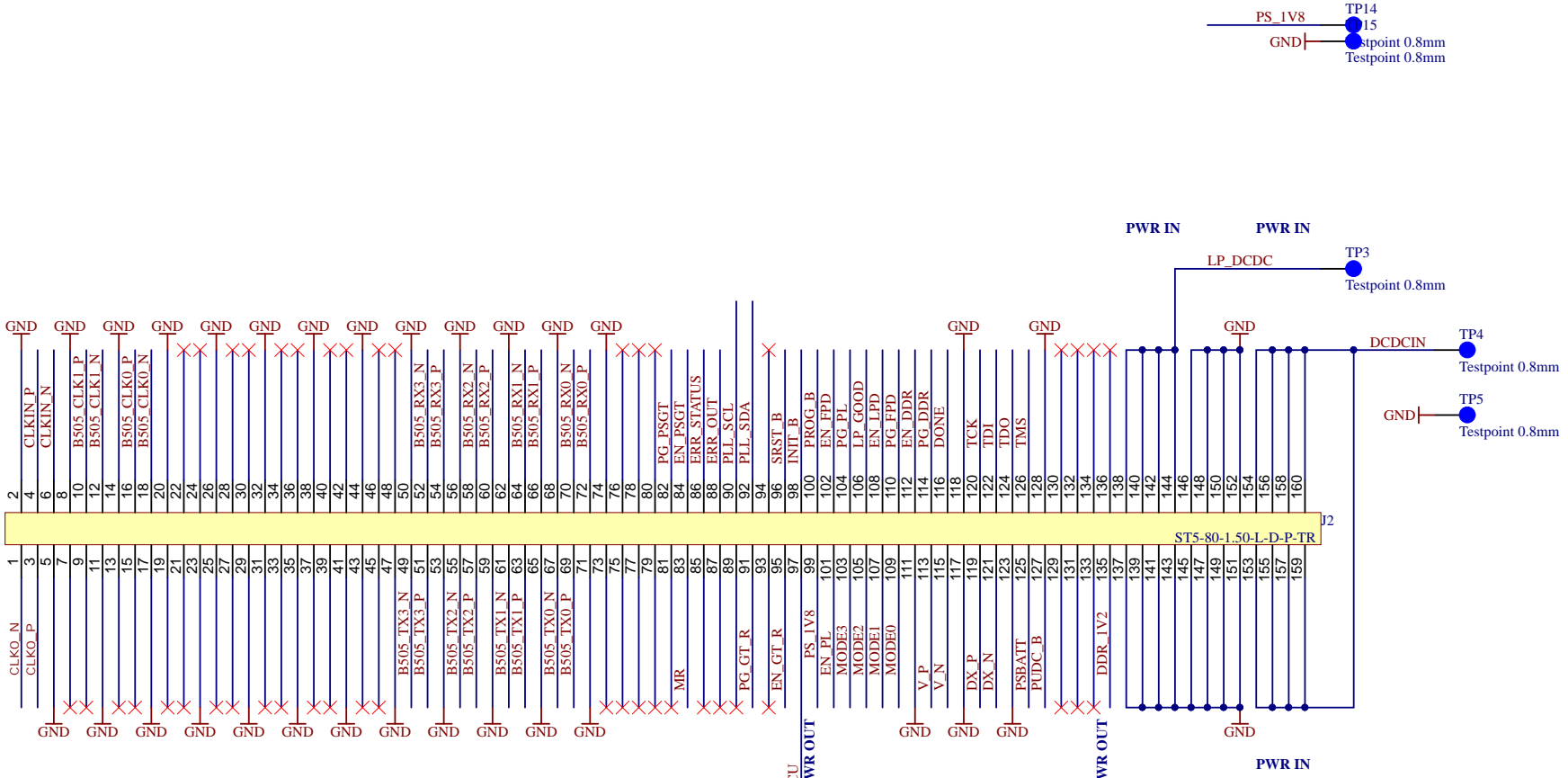

B

C

C

D

D

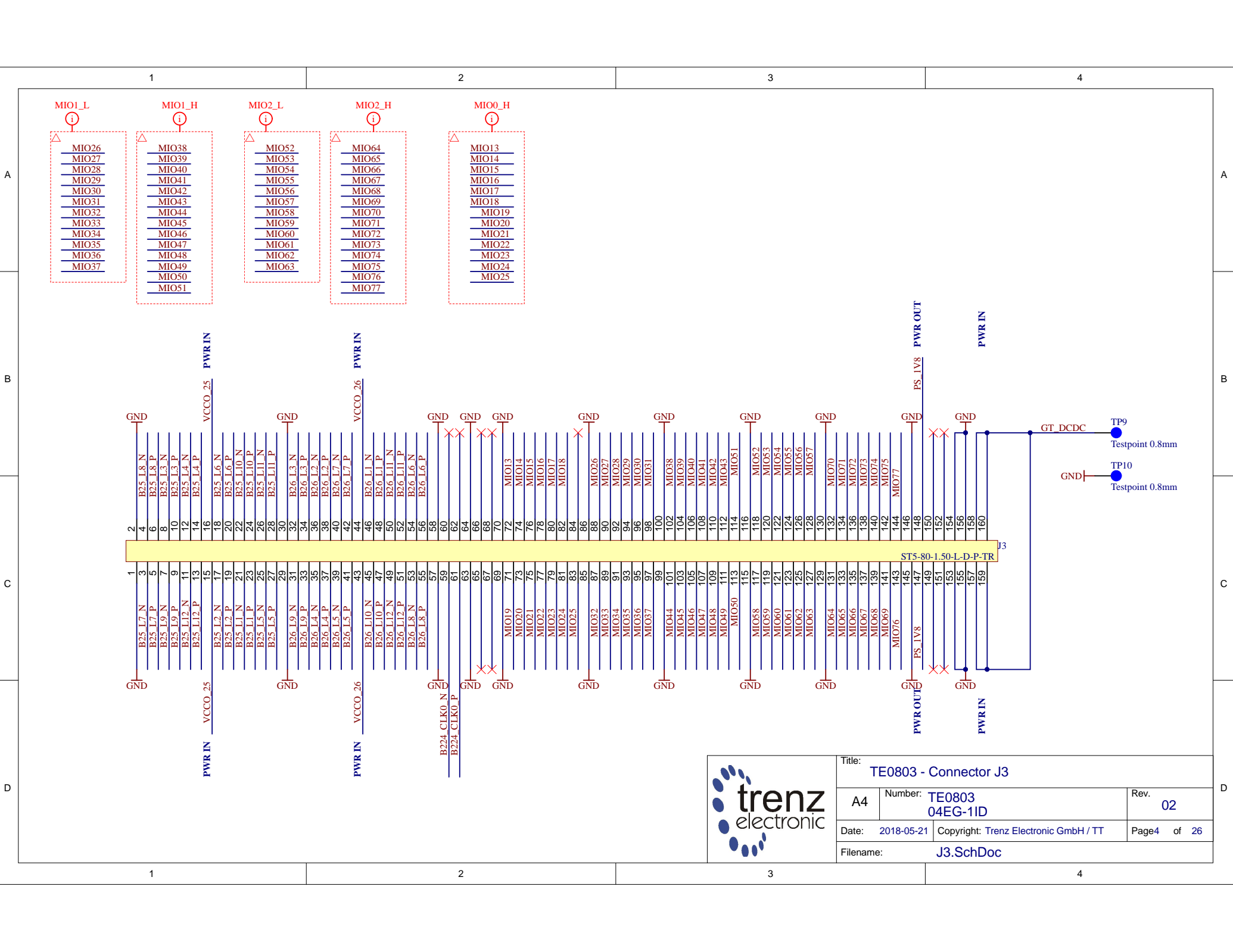
Title: TE0803 - Connector J2		
A4	Number: TE0803 04EG-11D	Rev. 02
Date: 2018-05-21	Copyright: Trenz Electronic GmbH / TT	Page3 of 26
Filename: J2.SchDoc		


1

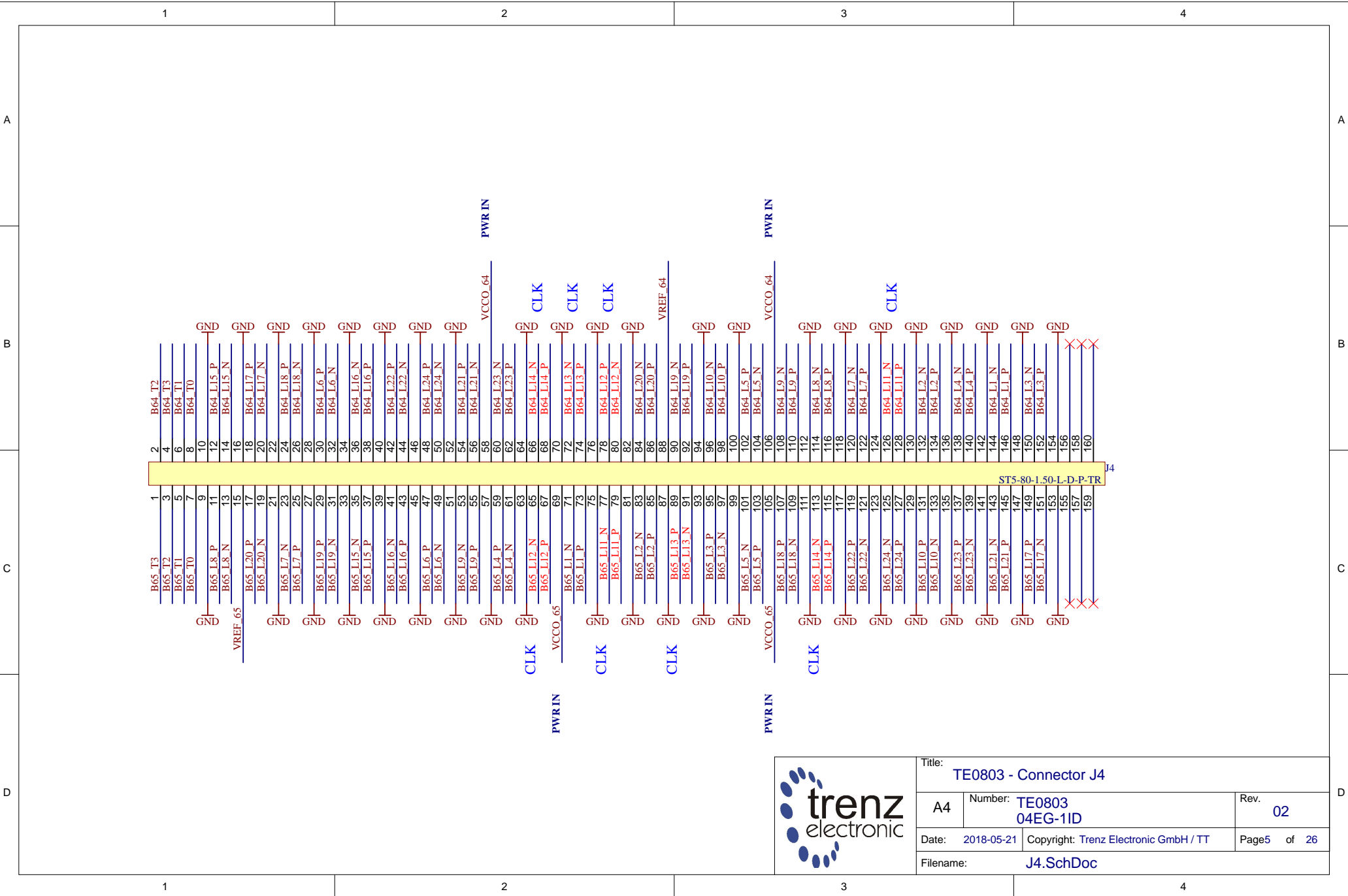
2

3

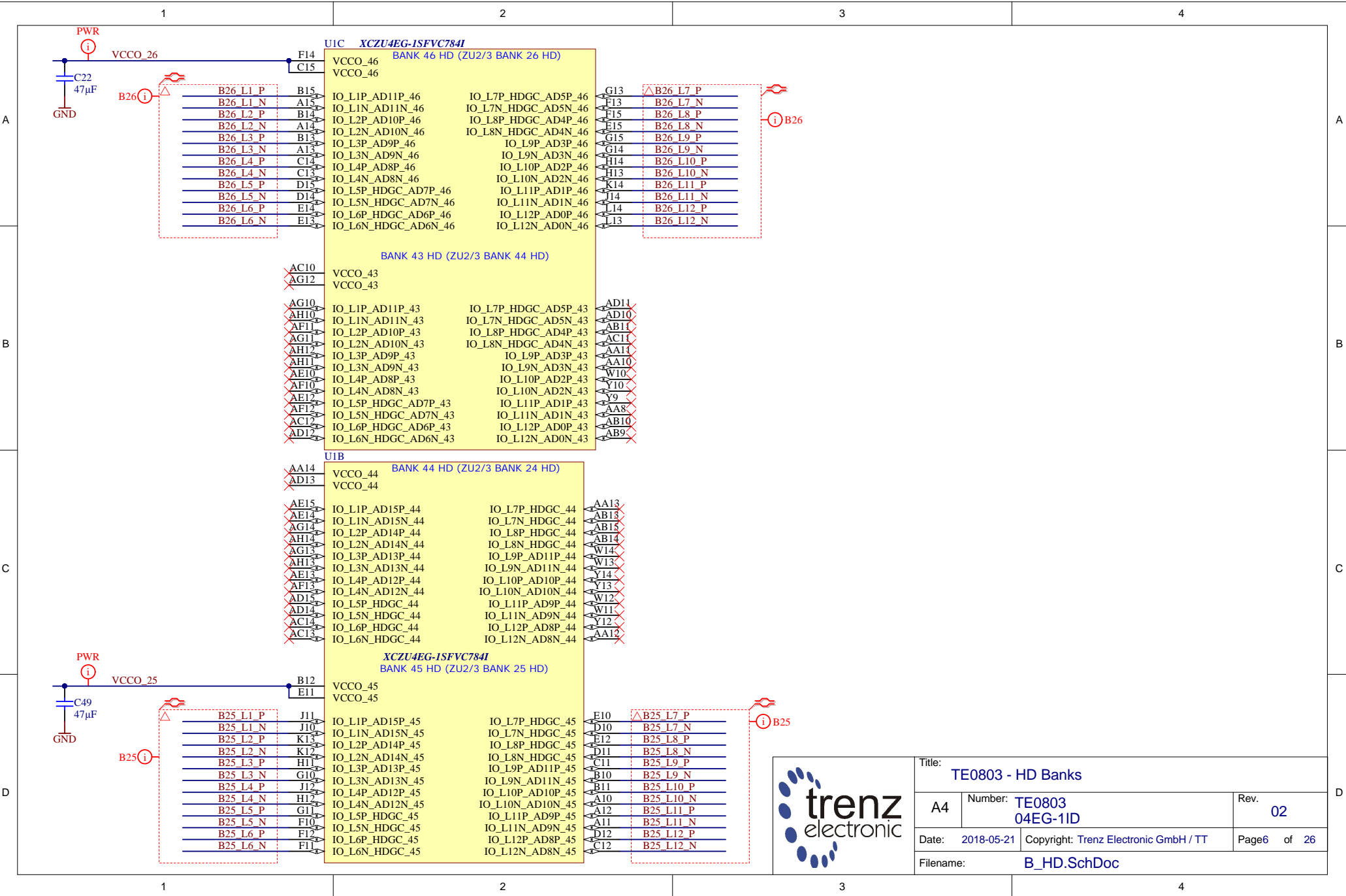
4



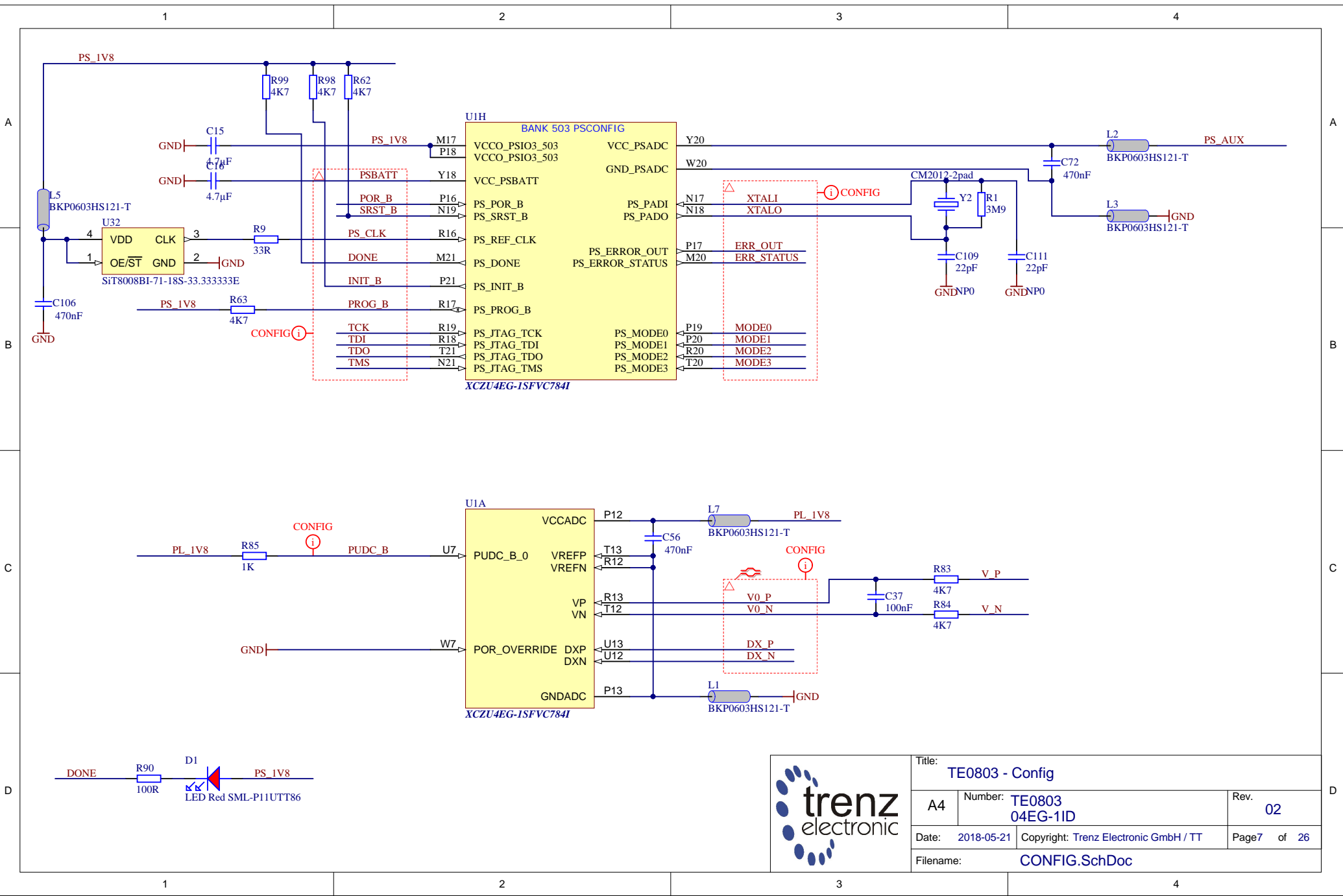
	Title: TE0803 - Connector J3		
	A4	Number: TE0803 04EG-11D	Rev. 02
	Date: 2018-05-21	Copyright: Trenz Electronic GmbH / TT	Page4 of 26
	Filename: J3.SchDoc		



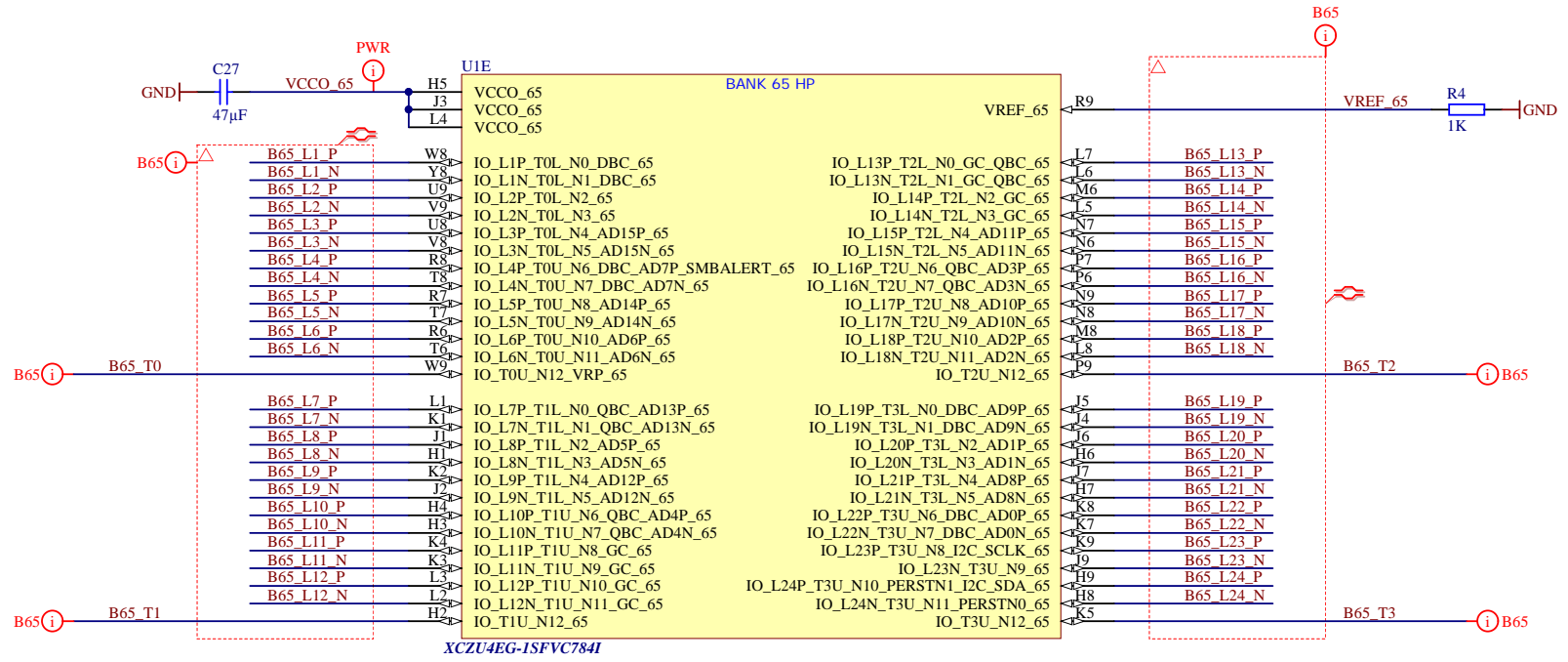
Title: TE0803 - Connector J4		
A4	Number: TE0803 04EG-11D	Rev. 02
Date: 2018-05-21	Copyright: Trenz Electronic GmbH / TT	Page5 of 26
Filename: J4.SchDoc		



Title: TE0803 - HD Banks		
A4	Number: TE0803 04EG-1ID	Rev. 02
Date: 2018-05-21	Copyright: Trenz Electronic GmbH / TT	Page6 of 26
Filename: B_HD.SchDoc		



Title: TE0803 - Config		
A4	Number: TE0803 04EG-1ID	Rev. 02
Date: 2018-05-21	Copyright: Trenz Electronic GmbH / TT	Page 7 of 26
Filename: CONFIG.SchDoc		



	Title: TE0803 - B65	
	A4	Number: TE0803 04EG-1ID
	Date: 2018-05-21	Copyright: Trenz Electronic GmbH / TT
	Filename: B65.SchDoc	Rev. 02
		Page9 of 26

1

2

3

4

A

A

B

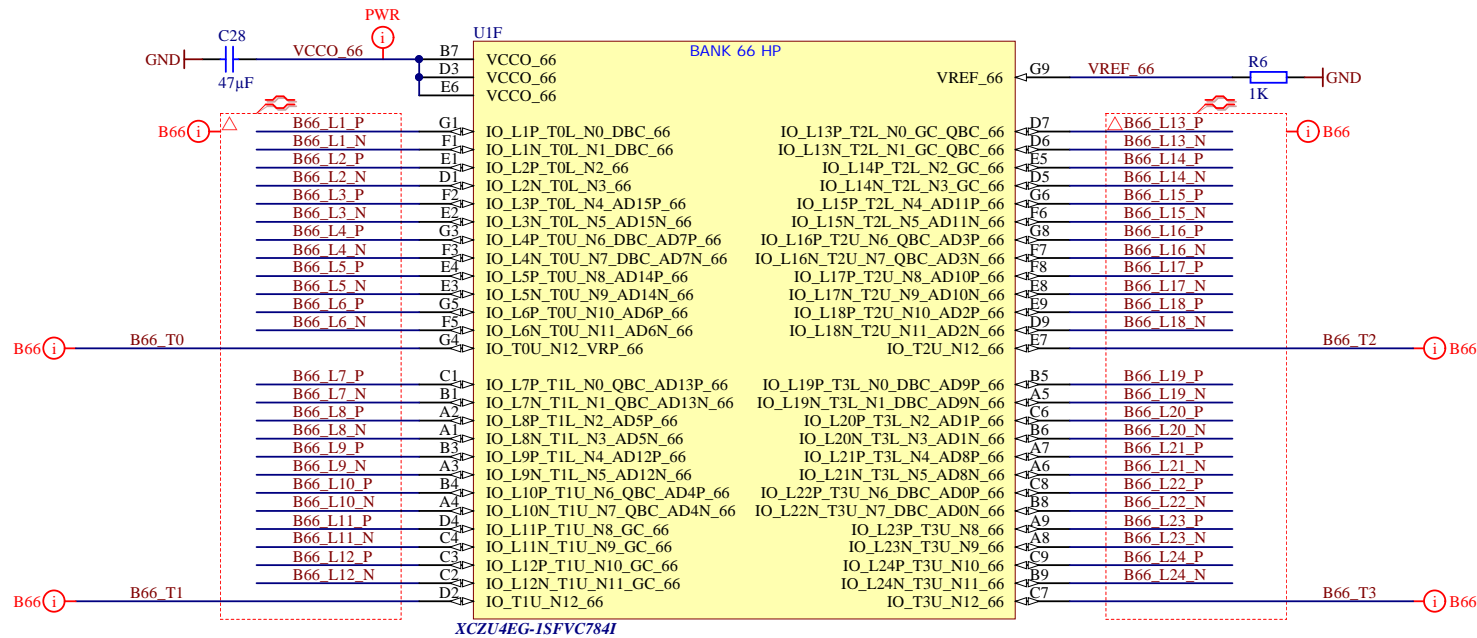
B

C

C

D

D



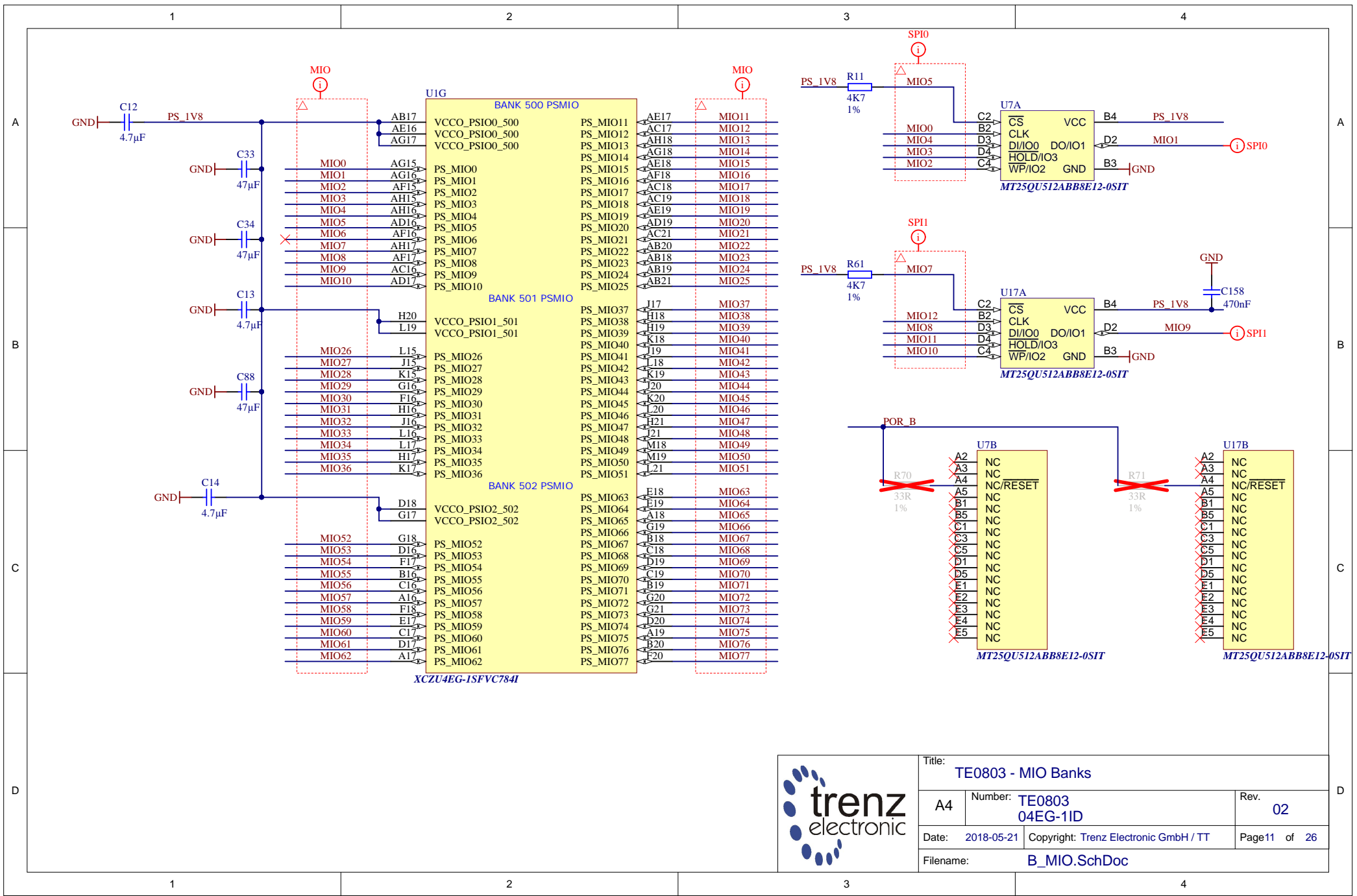
Title: TE0803 - B66		
A4	Number: TE0803 04EG-1ID	Rev. 02
Date: 2018-05-21	Copyright: Trenz Electronic GmbH / TT	Page 10 of 26
Filename: B66.SchDoc		

1

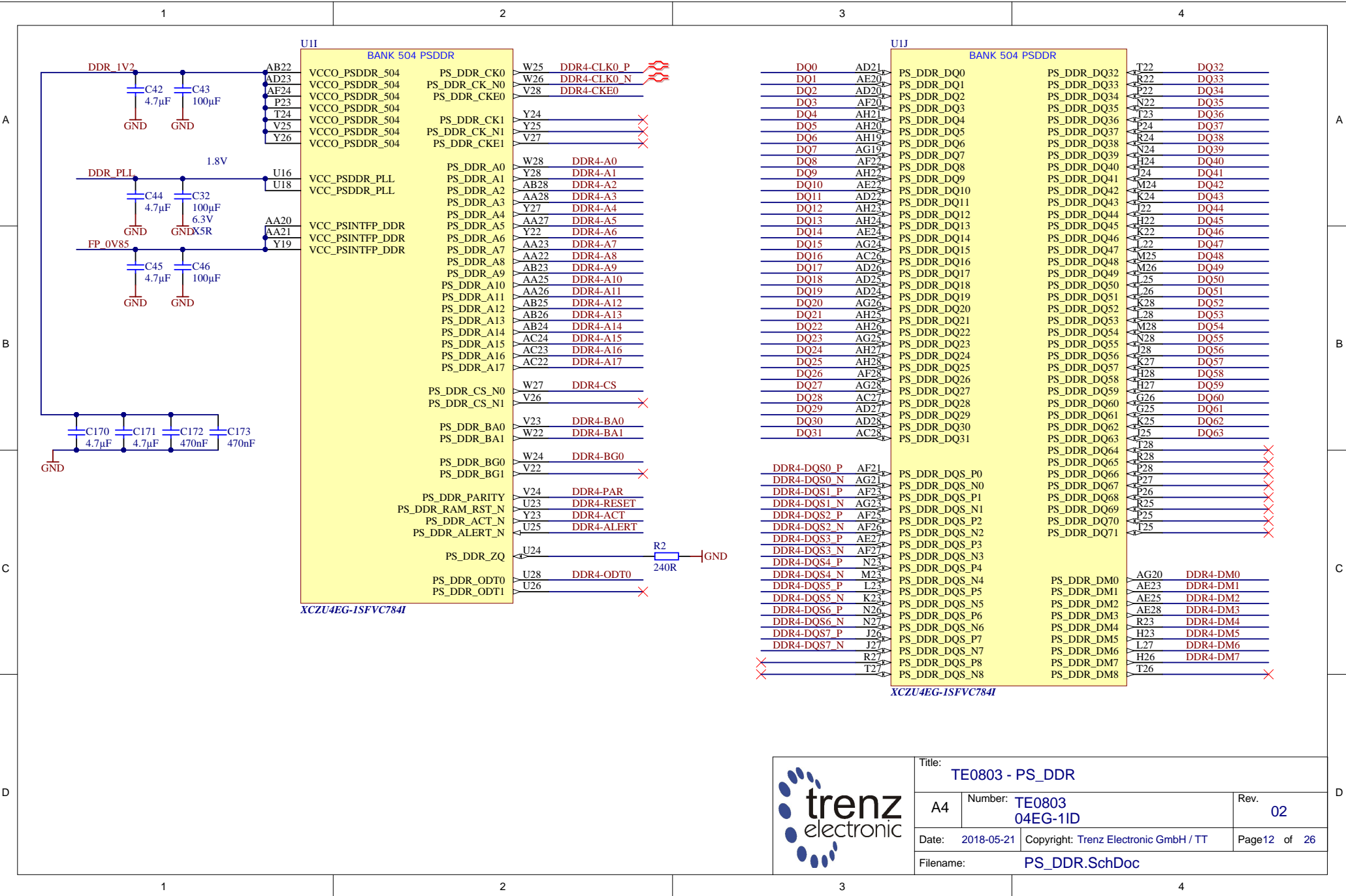
2

3

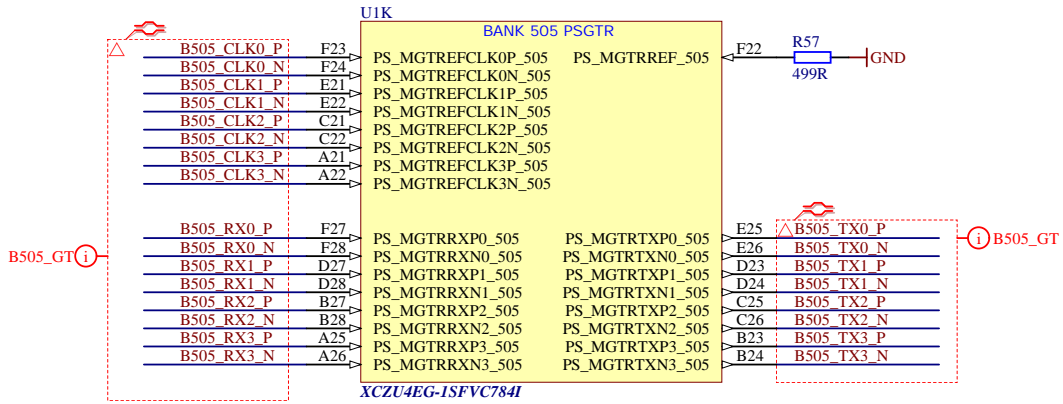
4



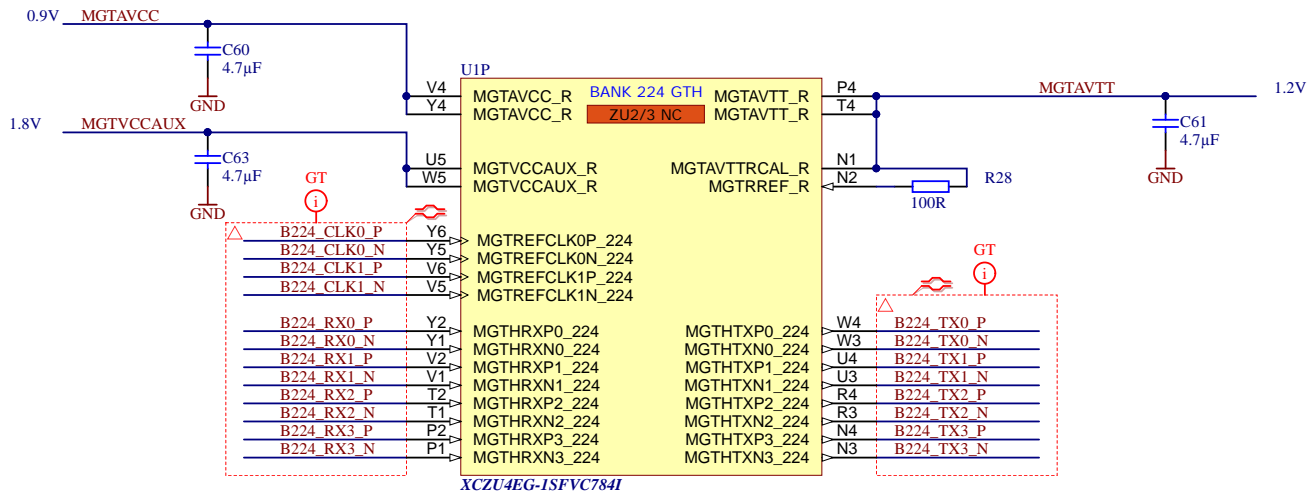
	Title: TE0803 - MIO Banks	
	A4	Number: TE0803 04EG-1ID
	Date: 2018-05-21	Copyright: Trenz Electronic GmbH / TT
	Filename: B_MIO.SchDoc	Page 11 of 26
Rev. 02		



	Title: TE0803 - PS_DDR	
	A4	Number: TE0803 04EG-1ID
	Date: 2018-05-21	Copyright: Trenz Electronic GmbH / TT
	Page 12 of 26	Rev. 02
Filename: PS_DDR.SchDoc		



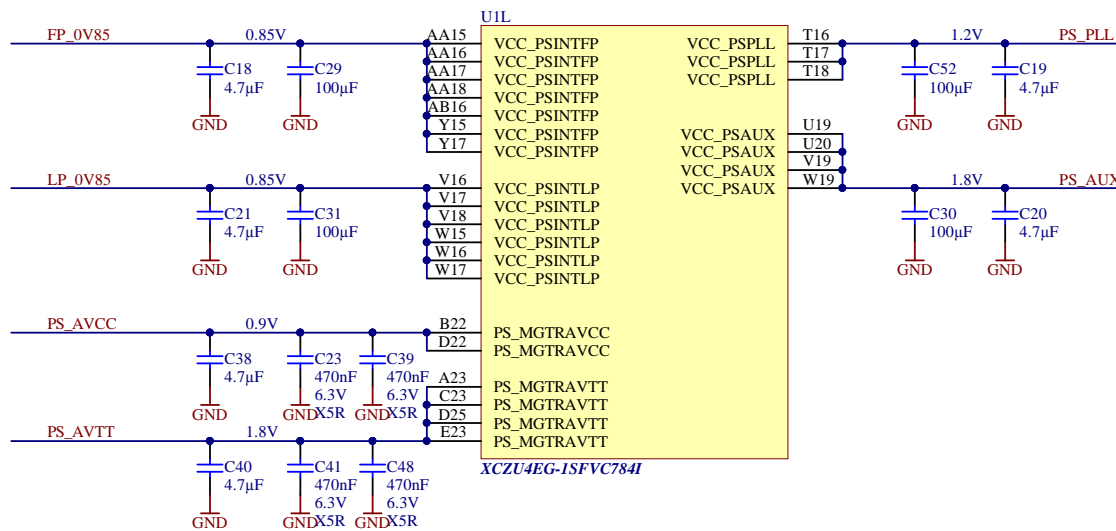
	Title: TE0803 - PS_GT		
	A4	Number: TE0803 04EG-1ID	Rev. 02
	Date: 2018-05-21	Copyright: Trenz Electronic GmbH / TT	Page 13 of 26
	Filename: B_PS_GT.SchDoc		



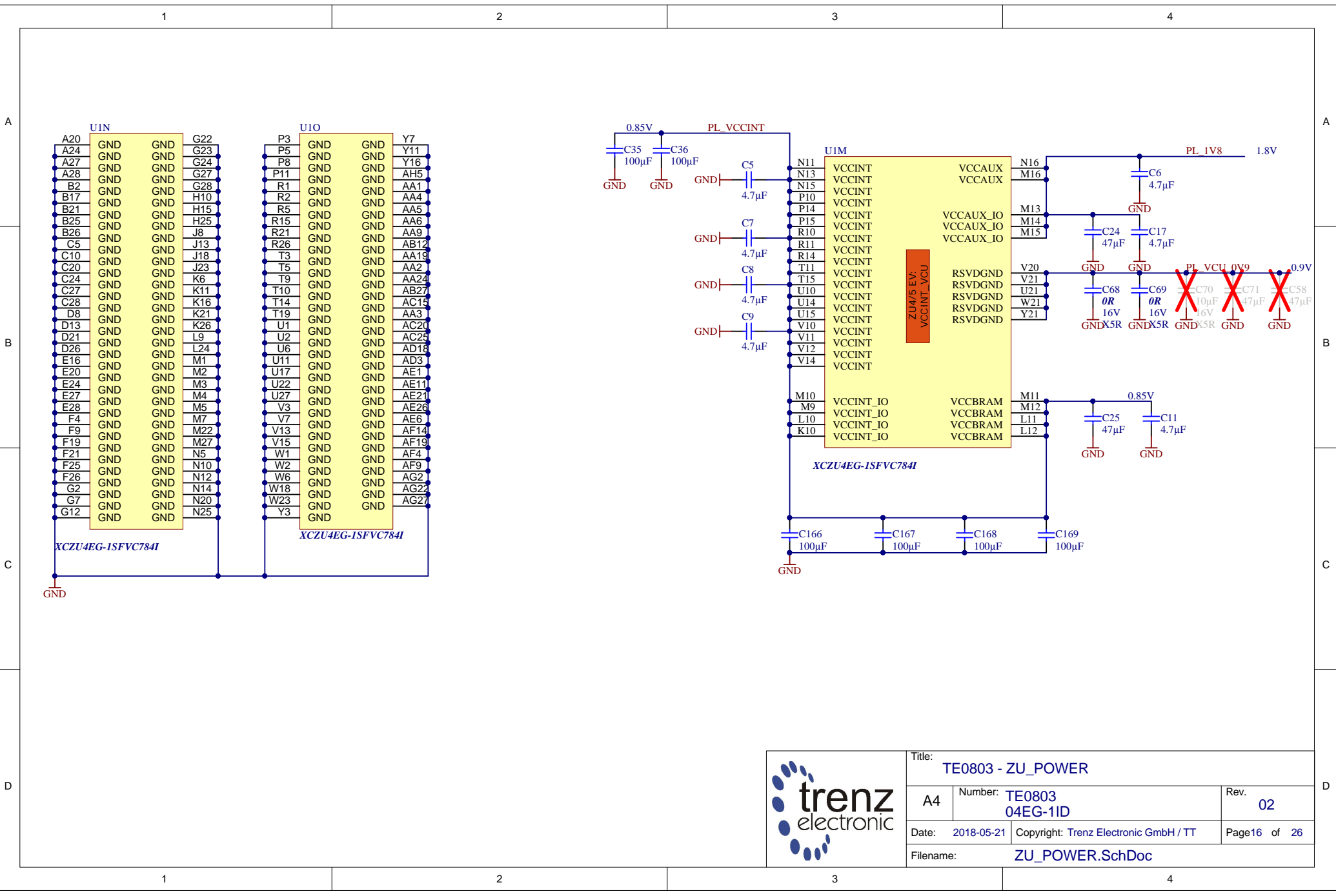
XCZU4EG-1SFVC784I




Title: TE0803 - B224GTH		
A4	Number: TE0803 04EG-1ID	Rev. 02
Date: 2018-05-21	Copyright: Trenz Electronic GmbH / TT	Page 14 of 26
Filename: B_GT.SchDoc		



Title: TE0803 - ZU_PS_POWER		
A4	Number: TE0803 04EG-1ID	Rev. 02
Date: 2018-05-21	Copyright: Trenz Electronic GmbH / TT	Page15 of 26
Filename: ZU_PS_POWER.SchDoc		



	Title: TE0803 - ZU_POWER	
	A4	Number: TE0803 04EG-1ID
	Date: 2018-05-21	Copyright: Trenz Electronic GmbH / TT
	Filename: ZU_POWER.SchDoc	Rev. 02
Page 16 of 26		

1

2

3

4

A

A

B

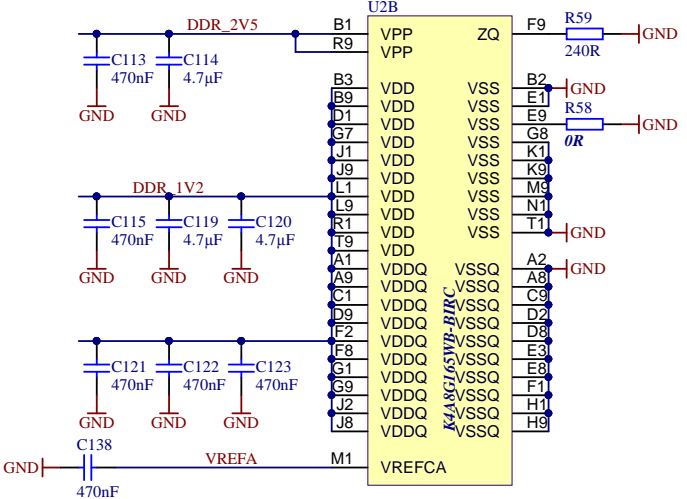
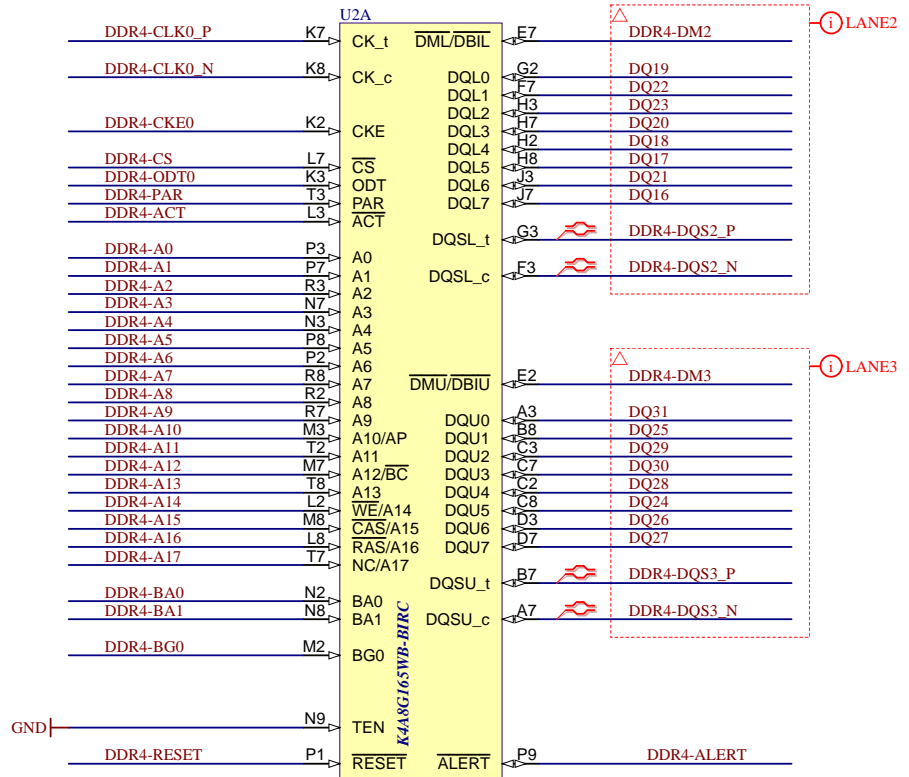
B

C

C

D

D



Title: TE0803 - DDR4_1_RAM		
A4	Number: TE0803 04EG-1ID	Rev. 02
Date: 2018-05-21	Copyright: Trenz Electronic GmbH / TT	Page17 of 26
Filename: DDR4-RAM.SchDoc		

1

2

3

4

1

2

3

4

A

A

B

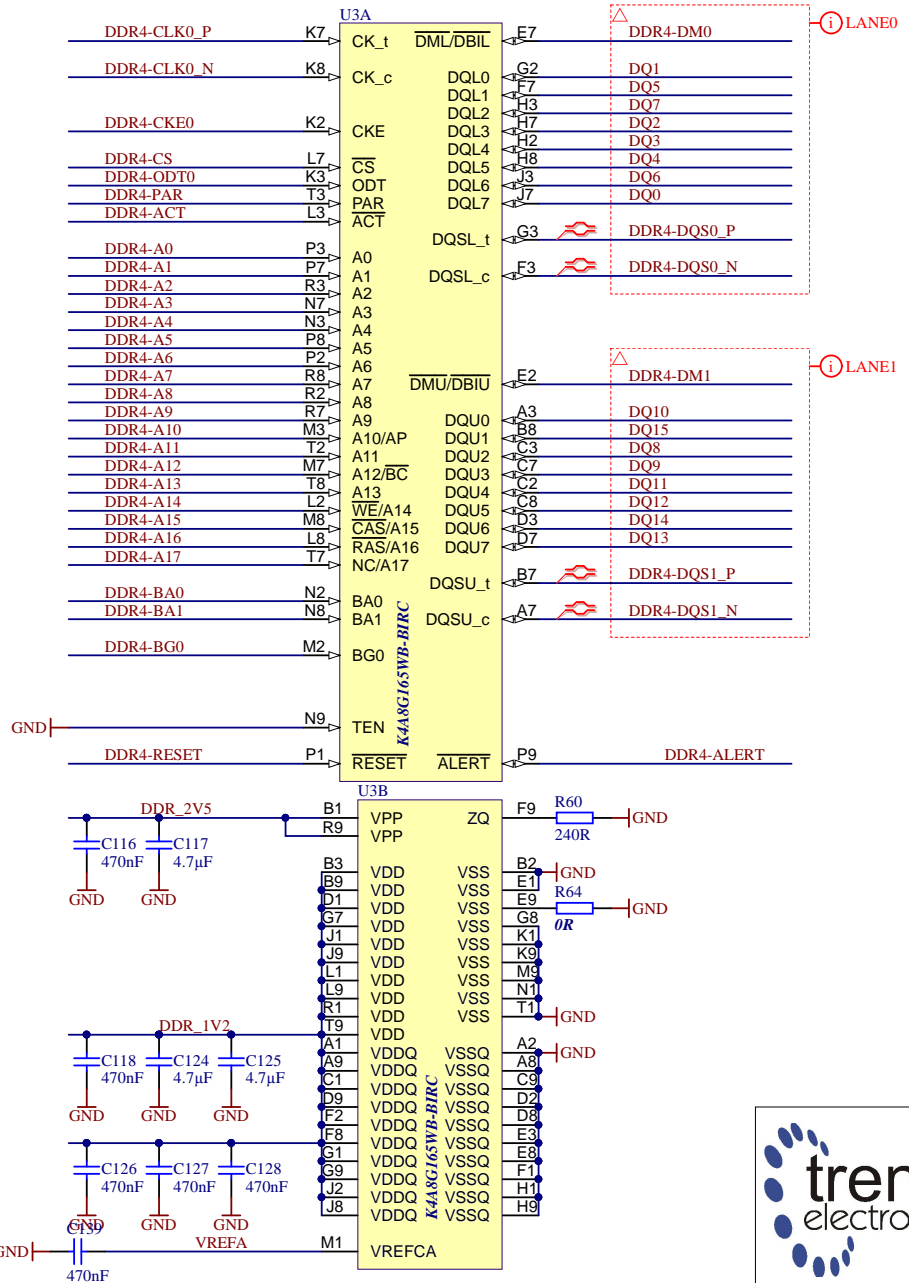
B

C

C

D

D



Title: TE0803 - DDR4_2_RAM		
A4	Number: TE0803 04EG-1ID	Rev. 02
Date: 2018-05-21	Copyright: Trenz Electronic GmbH / TT	Page18 of 26
Filename: DDR4-RAM_2.SchDoc		

1

2

3

4

1

2

3

4

A

A

B

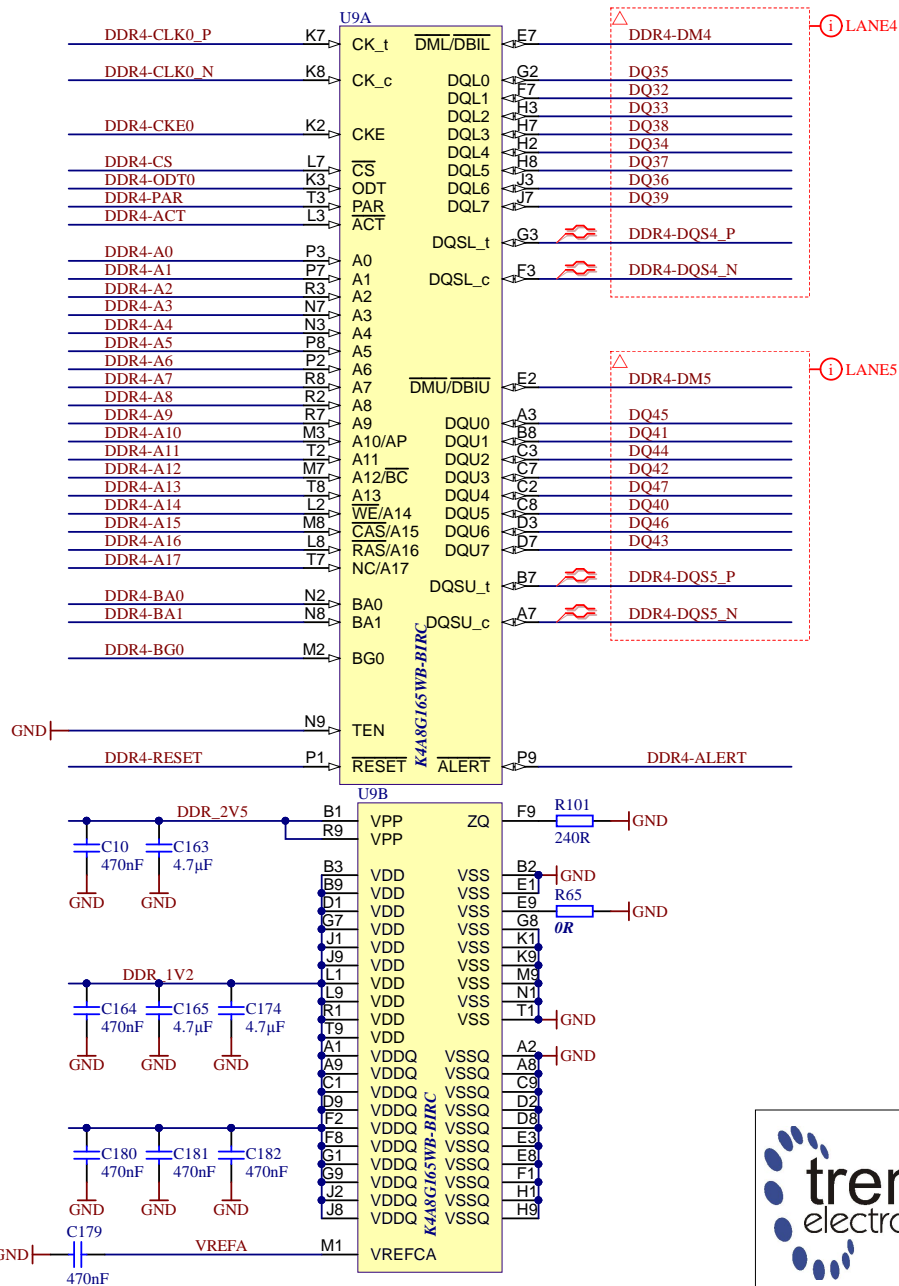

B

C

C

D

D

Title: TE0803 - DDR4_3_RAM		
A4	Number: TE0803 04EG-1ID	Rev. 02
Date: 2018-05-21	Copyright: Trenz Electronic GmbH / TT	Page 19 of 26
Filename: DDR4-RAM_3.SchDoc		

1

2

3

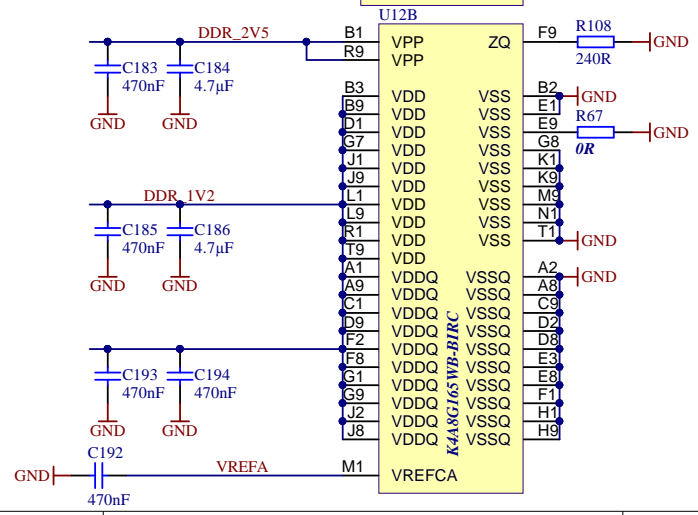
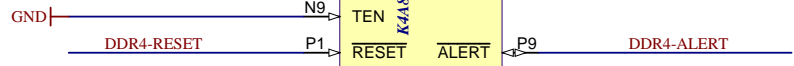
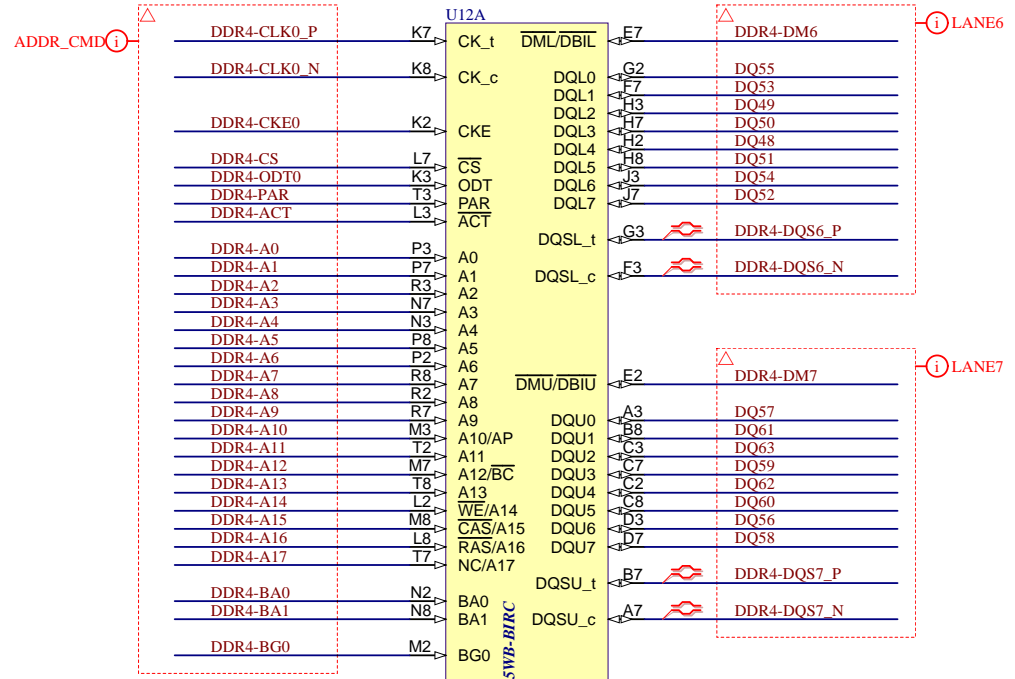
4

1

2

3

4



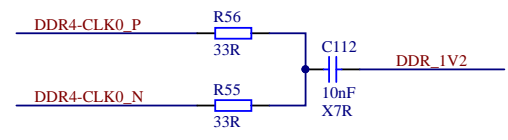
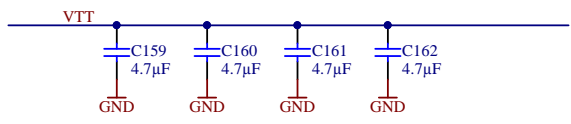
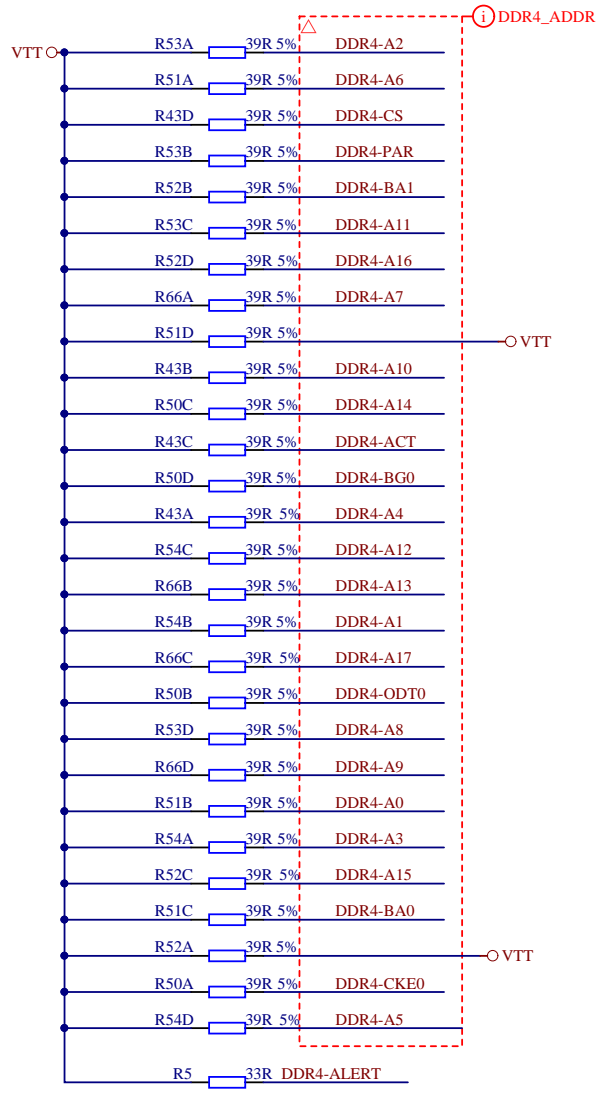
Title: TE0803 - DDR4_4_RAM		
A4	Number: TE0803 04EG-1ID	Rev. 02
Date: 2018-05-21	Copyright: Trenz Electronic GmbH / TT	Page20 of 26
Filename: DDR4-RAM_4.SchDoc		

1

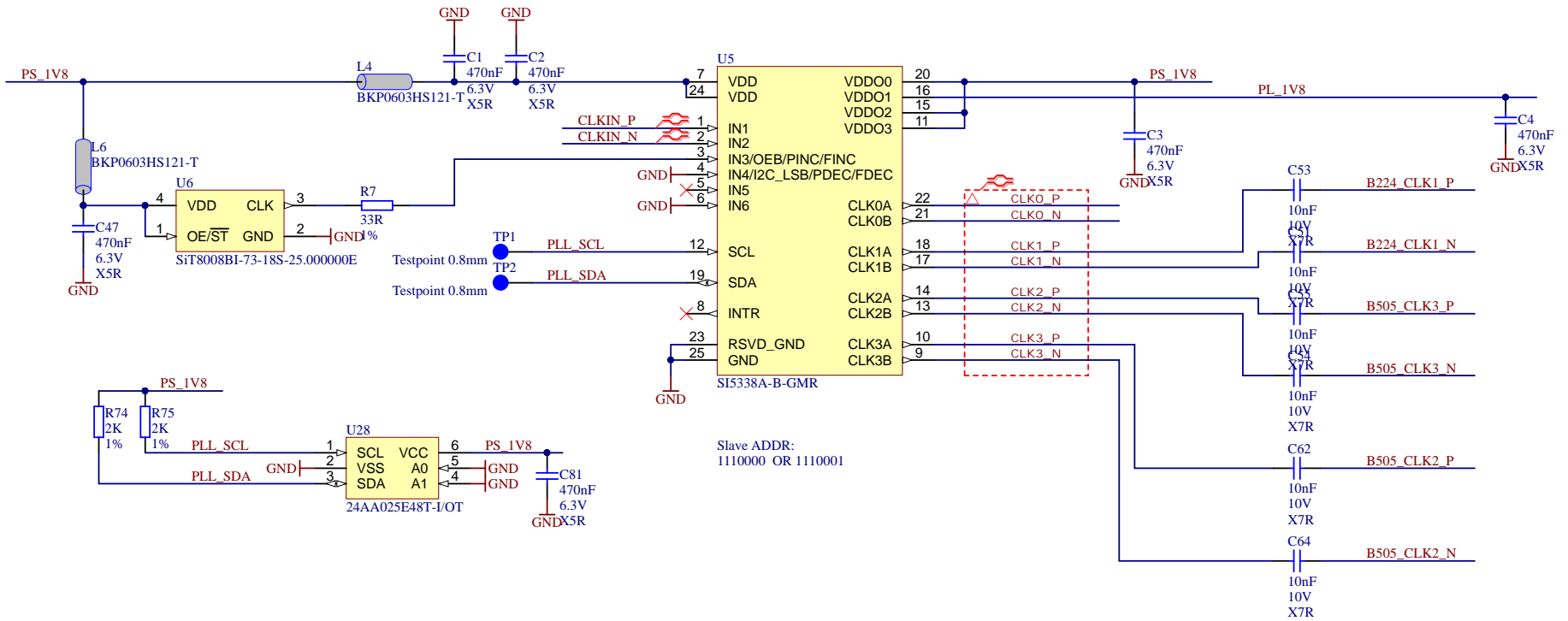
2

3

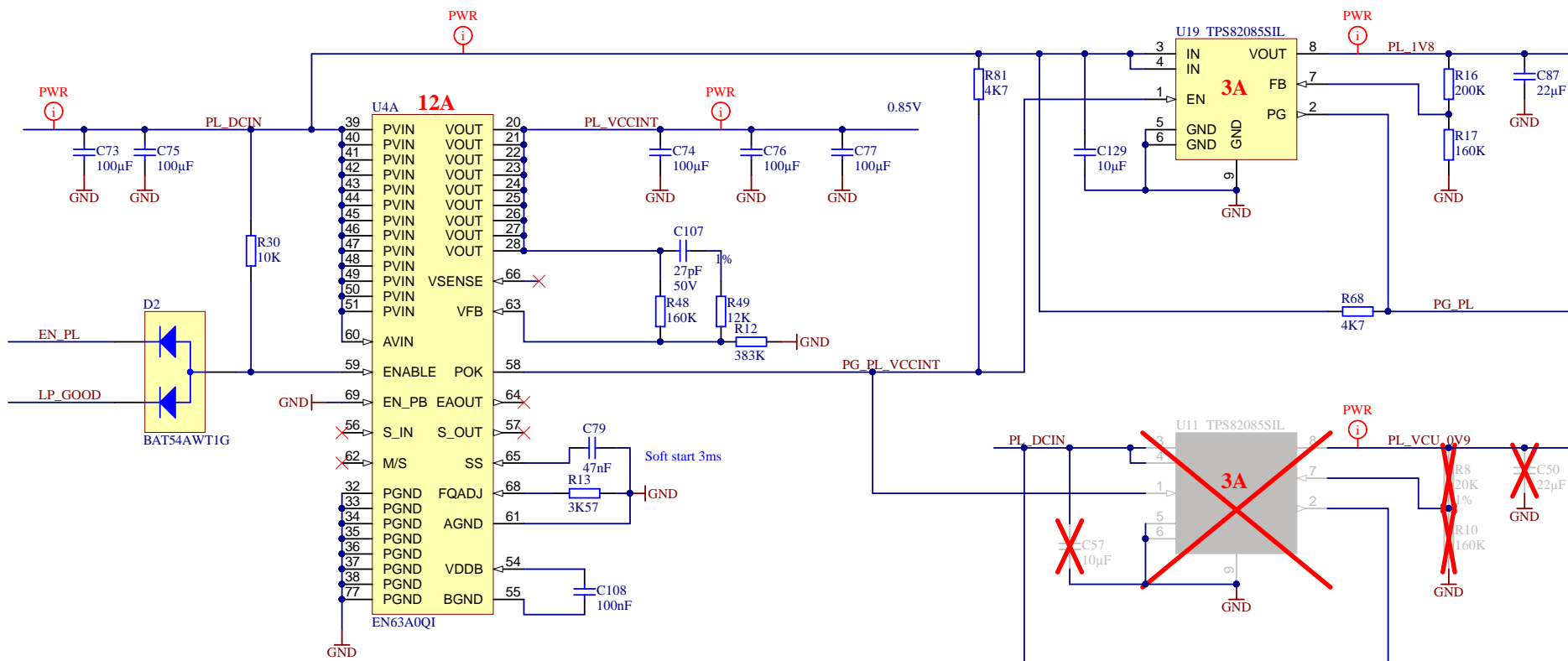
4



Title: TE0803 - DDR4_TERM		
A4	Number: TE0803 04EG-1ID	Rev. 02
Date: 2018-05-21	Copyright: Trenz Electronic GmbH / TT	Page21 of 26
Filename: DDR4-TERM.SchDoc		




Title:		TE0803 - CLOCK	
A4	Number:	TE0803 04EG-1ID	Rev. 02
Date:	2018-05-21	Copyright: Trenz Electronic GmbH / TT	Page22 of 26
Filename:	Clock.SchDoc		



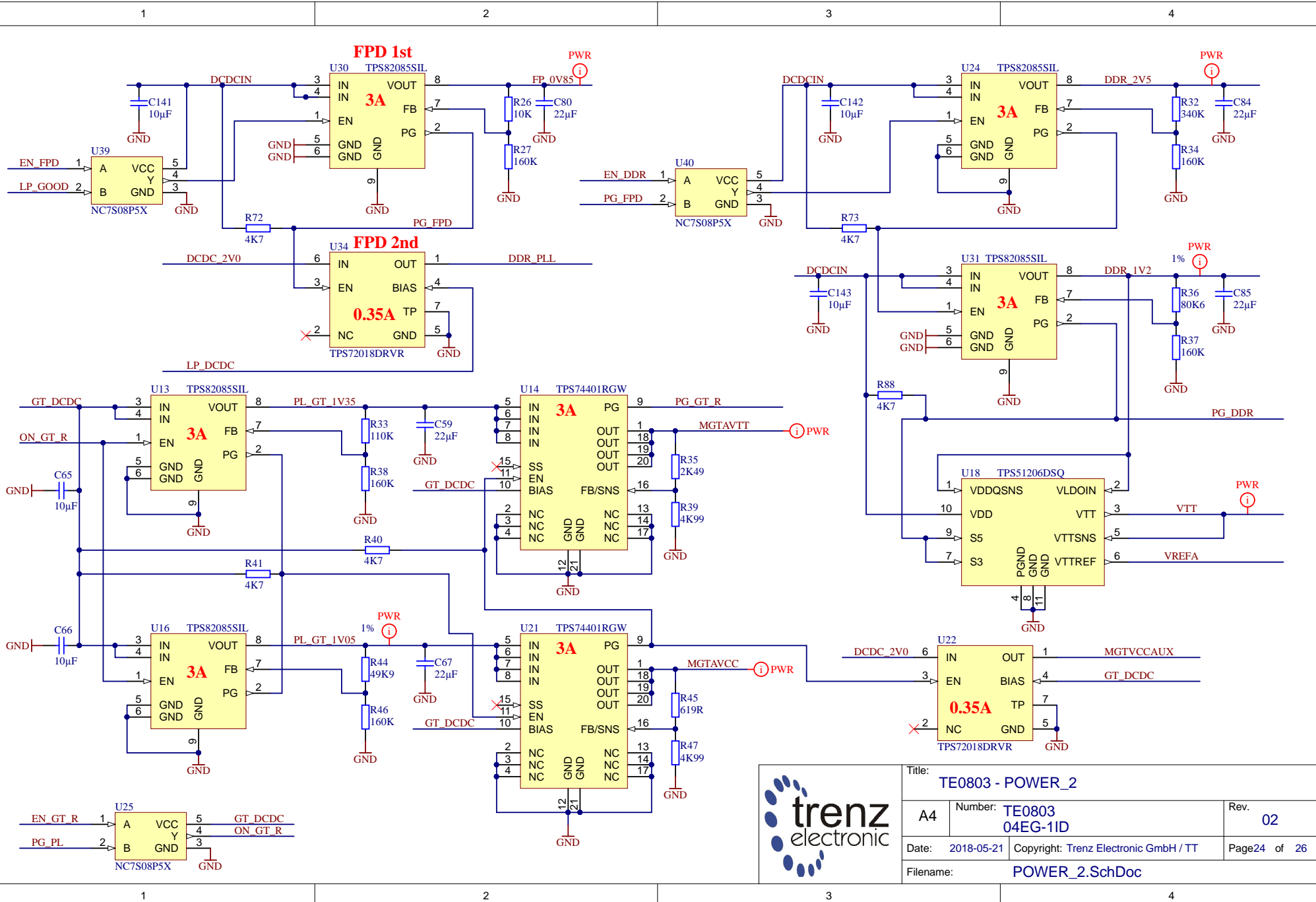
U4B

1	NC	NC	17
2	NC	NC	18
3	NC	NC	19
4	NC	NC	29
5	NC	NC	30
6	NC	NC(SW)	31
7	NC	NC(SW)	52
8	NC	NC	53
9	NC	NC	67
10	NC	NC(SW)	70
11	NC	NC(SW)	71
12	NC	NC(SW)	72
13	NC	NC	73
14	NC	NC	74
15	NC	NC	75
16	NC	NC	76

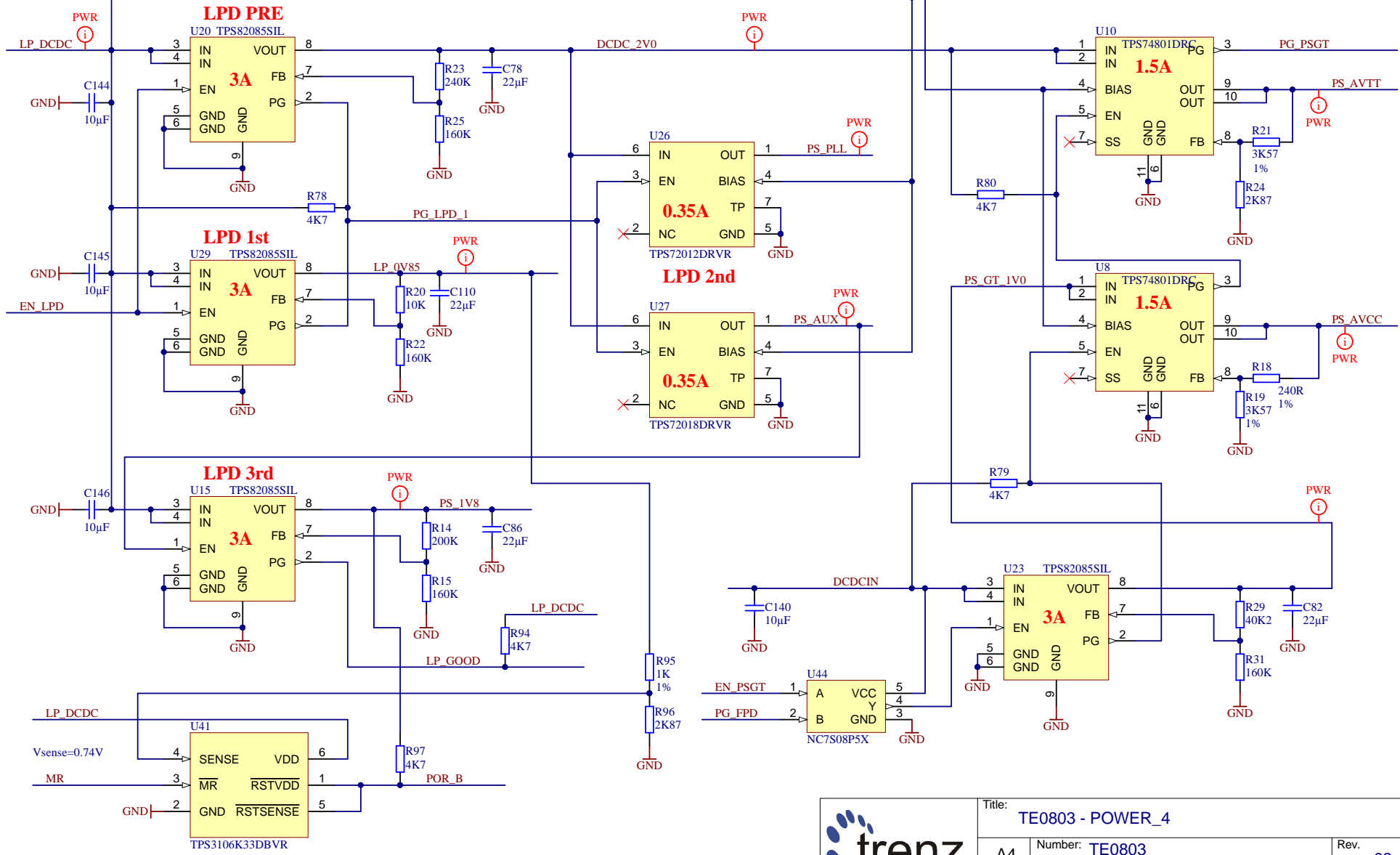
EN63A0QI




Title: TE0803 - POWER		
A4	Number: TE0803 04EG-1ID	Rev. 02
Date: 2018-05-21	Copyright: Trenz Electronic GmbH / TT	Page23 of 26
Filename: POWER.SchDoc		



Title: TE0803 - POWER_2		
A4	Number: TE0803 04EG-11D	Rev. 02
Date: 2018-05-21	Copyright: Trenz Electronic GmbH / TT	Page24 of 26
Filename: POWER_2.SchDoc		



		Title: TE0803 - POWER_4	
		A4	Number: TE0803 04EG-11D
Date: 2018-05-21		Copyright: Trenz Electronic GmbH / TT	
Filename: POWER_4.SchDoc		Page 25 of 26	

A
B
C
D

A
B
C
D

1 2 3 4

1

2

3

4

CHANGES REV01a (20.11.2017):

1) VCU voltage set to 0.9V, R20 changed to 40K , PL_VCU_1V0 renamed to PL_VCU_0V9.

CHANGES REV02 (20.06.2018):

- 1) Added LDO to DDR_PLL
- 2) All differential pairs wath length matched with tollerance 0.1mm (excluding package delays)
- 3) Added MAC EEPROM U28
- 4) VPS_MGTRAVCC set to 0.85V
- 5) Added pull-up resistors R68,R69

A

A

B

B

C

C

D

D



Title: TE0803 - Changes list		
A4	Number: TE0803 04EG-1ID	Rev. 02
Date: 2018-05-21	Copyright: Trenz Electronic GmbH	Page26 of 26
Filename: Revision_Changes.SchDoc		

1

2

3

4