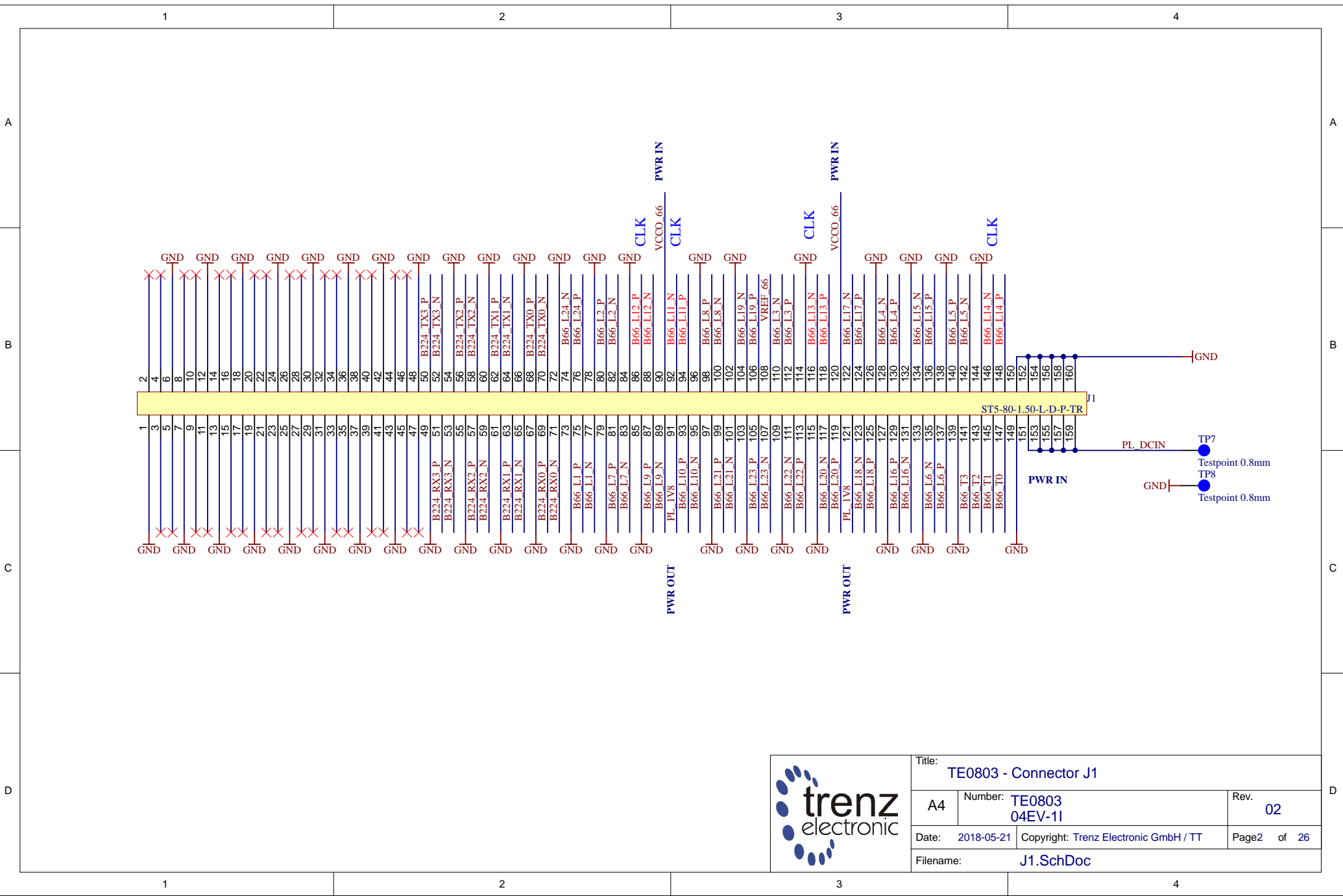



<p>1</p> <p>U_J1 J1.SchDoc</p> <p>U_J2 J2.SchDoc</p> <p>U_J3 J3.SchDoc</p> <p>U_J4 J4.SchDoc</p> <p>U_DDR4-TERM DDR4-TERM.SchDoc</p> <p>U_B64 B64.SchDoc</p> <p>U_B65 B65.SchDoc</p> <p>U_B66 B66.SchDoc</p> <p>U_B_GT B_GT.SchDoc</p>	<p>2</p> <p>U_B_PS_GT B_PS_GT.SchDoc</p> <p>U_PS_DDR PS_DDR.SchDoc</p> <p>U_B_MIO B_MIO.SchDoc</p> <p>U_B_HD B_HD.SchDoc</p> <p>U_Clock Clock.SchDoc</p> <p>U_CONFIG CONFIG.SchDoc</p> <p>U_DDR4-RAM DDR4-RAM.SchDoc</p> <p>U_DDR4-RAM_2 DDR4-RAM_2.SchDoc</p> <p>U_DDR4-RAM_3 DDR4-RAM_3.SchDoc</p> <p>U_DDR4-RAM_4 DDR4-RAM_4.SchDoc</p>	<p>3</p> <p>U_DDR4-TERM DDR4-TERM.SchDoc</p> <p>U_ZU_POWER ZU_POWER.SchDoc</p> <p>U_ZU_PS_POWER ZU_PS_POWER.SchDoc</p> <p>U_POWER POWER.SchDoc</p> <p>U_POWER_2 POWER_2.SchDoc</p> <p>U_POWER_4 POWER_4.SchDoc</p> <p>U_REV_CH Revision_Changes.SchDoc</p>	<p>4</p>
<p>A</p>			
<p>B</p>			
<p>C</p> <p>PM1</p> <p>PM2</p> <p>FIDU-DOT - mini PM3</p> <p>FIDU-DOT - mini PM4</p> <p>FIDU-DOT - mini PM5</p> <p>FIDU-DOT - mini PM6</p> <p>LOGO1 TE Logo PRINT Layer LOGO PRINT</p> <p>Serial Serialnumber 6,3 x 6,3mm</p> <p>S/N OR Serialnumber</p>		<p>3</p> <p>Mount.Hole 3.2mm für Unterlegscheibe</p> <p>Mount.Hole 3.2mm für Unterlegscheibe</p> <p>Mount.Hole 3.2mm für Unterlegscheibe</p> <p>Mount.Hole 3.2mm für Unterlegscheibe</p> <p>Mount.Hole 3.2mm für Unterlegscheibe</p> <p>Mount.Hole 3.2mm für Unterlegscheibe</p>	<p>4</p> <p>Mount.Hole 3.2mm für Unterlegscheibe</p> <p>Mount.Hole 3.2mm für Unterlegscheibe</p> <p>Mount.Hole 3.2mm für Unterlegscheibe</p> <p>Mount.Hole 3.2mm für Unterlegscheibe</p> <p>Mount.Hole 3.2mm für Unterlegscheibe</p> <p>Mount.Hole 3.2mm für Unterlegscheibe</p>
<p>D</p>		<p>3</p>	<p>4</p>



Title: TE0803		
A4	Number: TE0803 04EV-11	Rev. 02
Date: 2018-05-21	Copyright: Trenz Electronic GmbH / TT	Page1 of 26
Filename: TE0803.SchDoc		

Title: TE0803 - Connector J1		
A4	Number: TE0803 04EV-11	Rev. 02
Date: 2018-05-21	Copyright: Trenz Electronic GmbH / TT	Page2 of 26
Filename: J1.SchDoc		

1

2

3

4

A

A

B

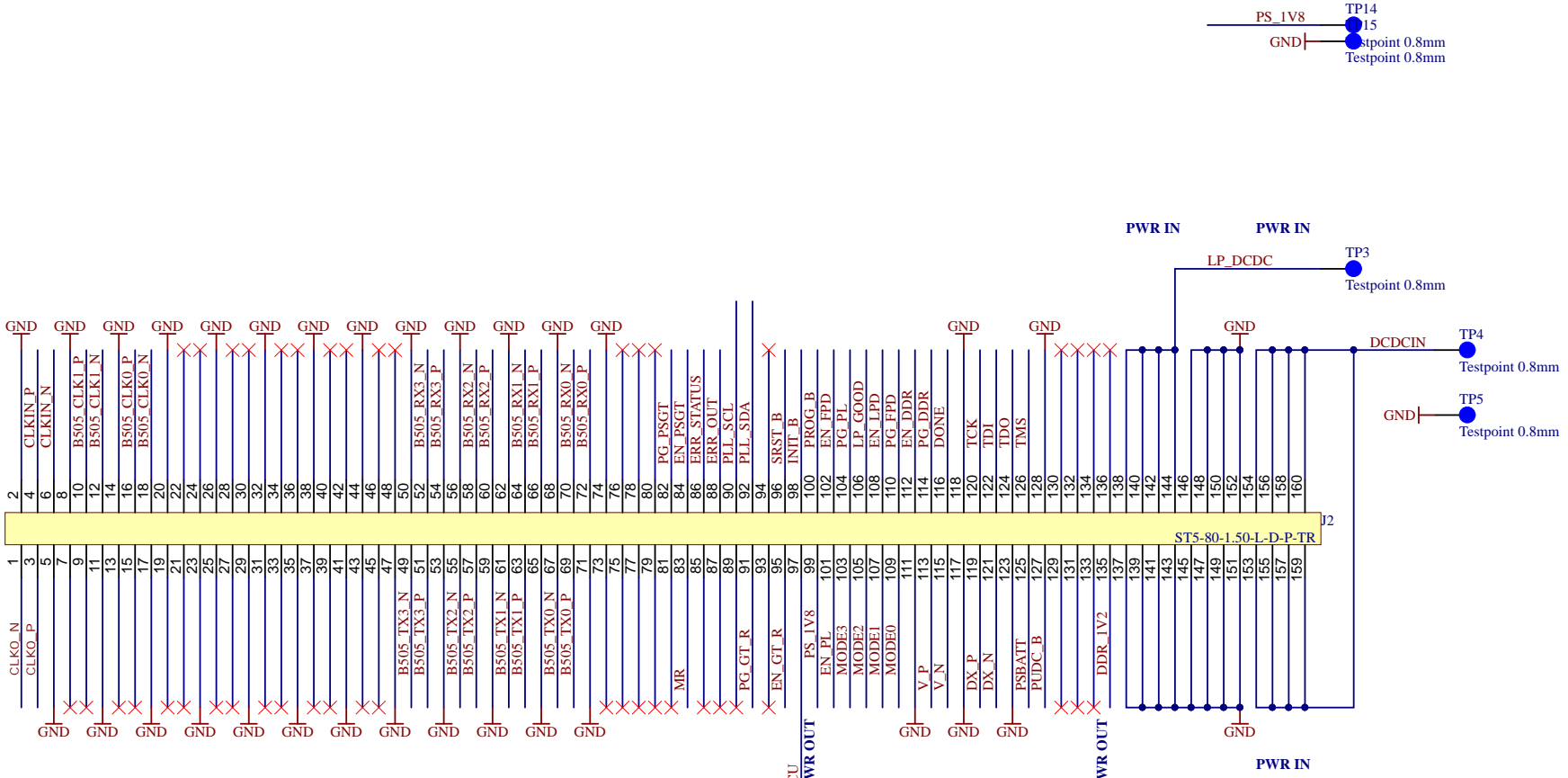
B

C

C

D

D



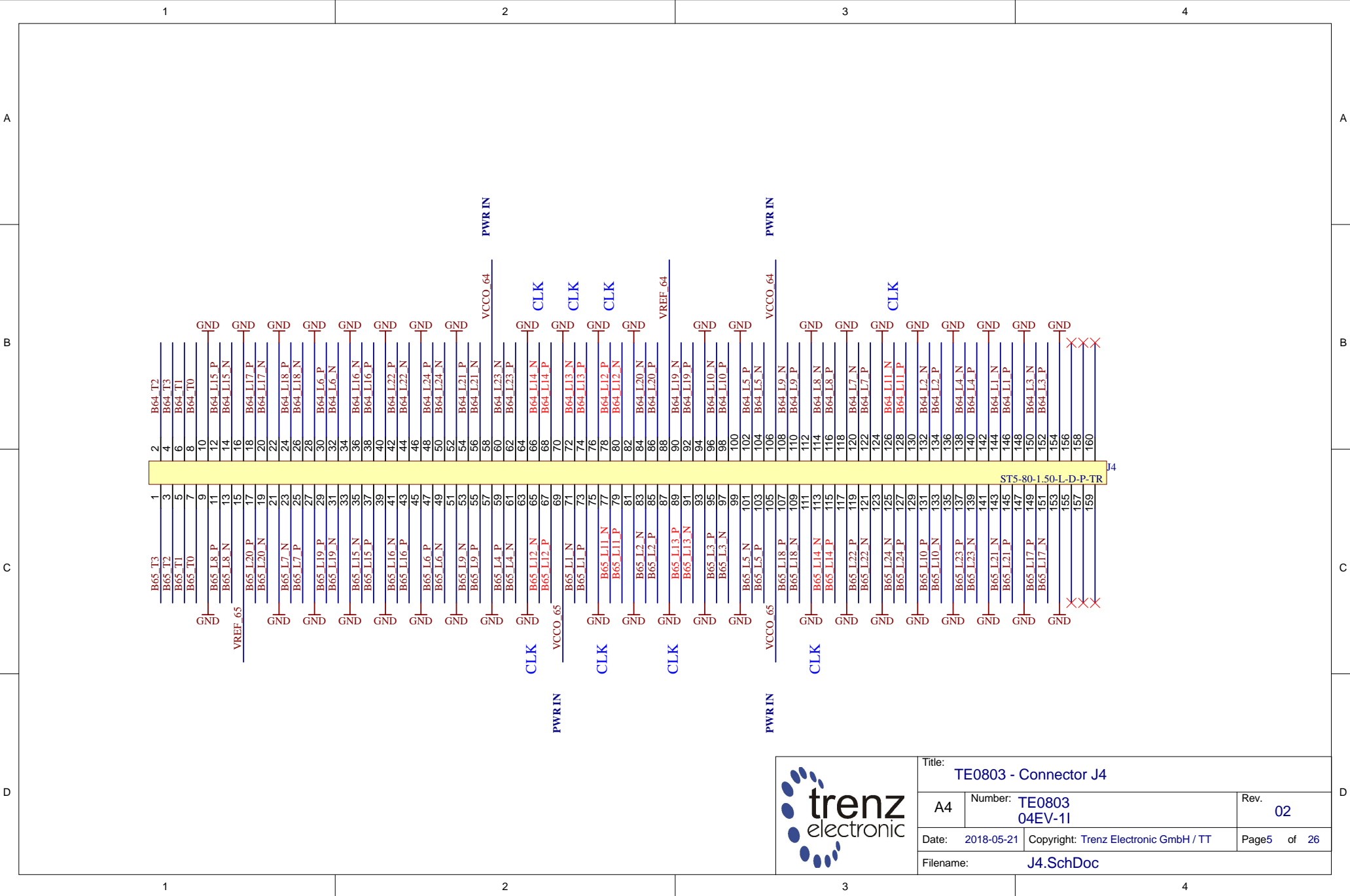
Title: TE0803 - Connector J2		
A4	Number: TE0803 04EV-11	Rev. 02
Date: 2018-05-21	Copyright: Trenz Electronic GmbH / TT	Page3 of 26
Filename: J2.SchDoc		

1

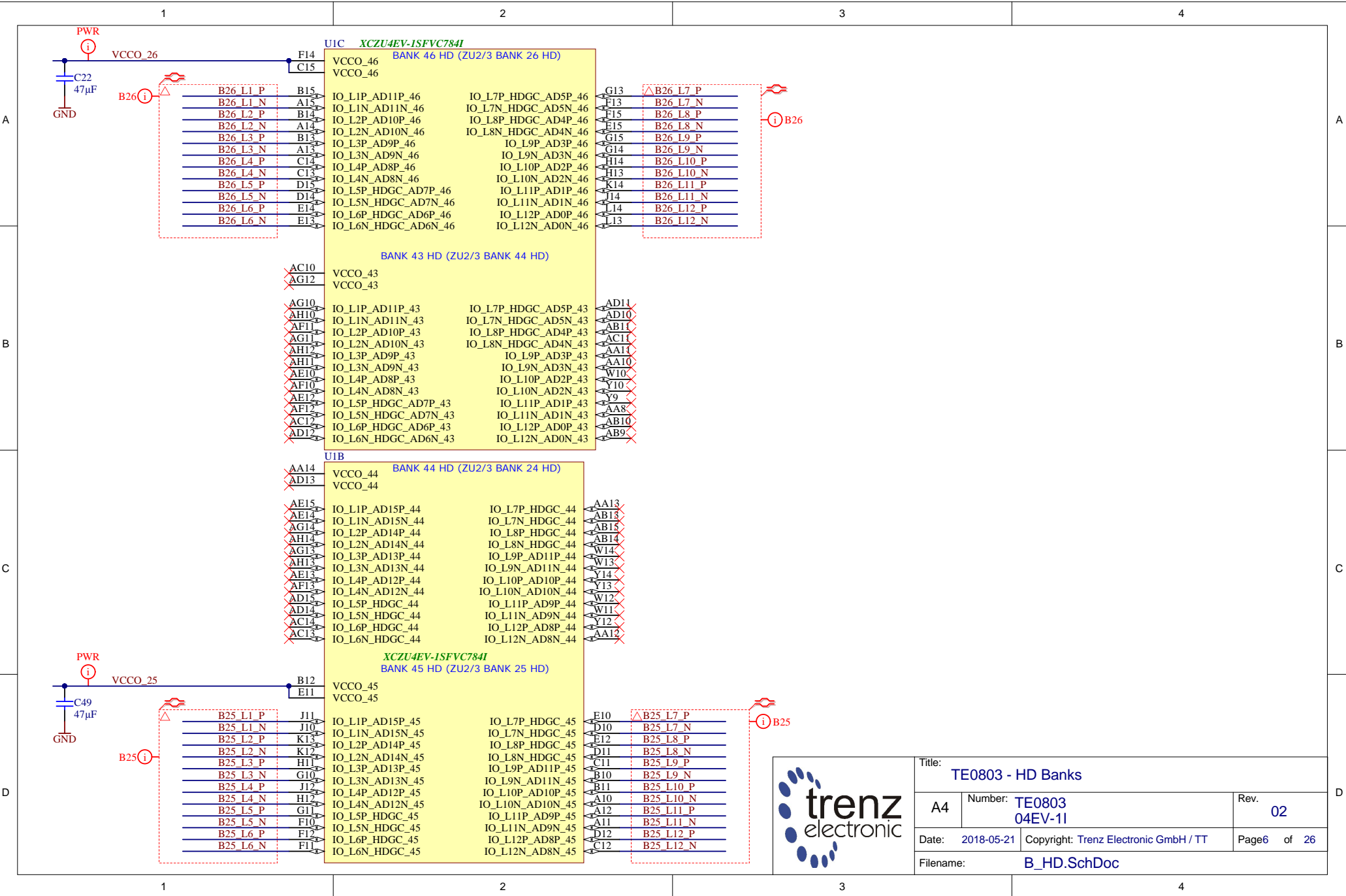
2

3

4



Title: TE0803 - Connector J4		
A4	Number: TE0803 04EV-11	Rev. 02
Date: 2018-05-21	Copyright: Trenz Electronic GmbH / TT	Page5 of 26
Filename: J4.SchDoc		



UIC XCZU4EV-1SFVC784I
BANK 46 HD (ZU2/3 BANK 26 HD)

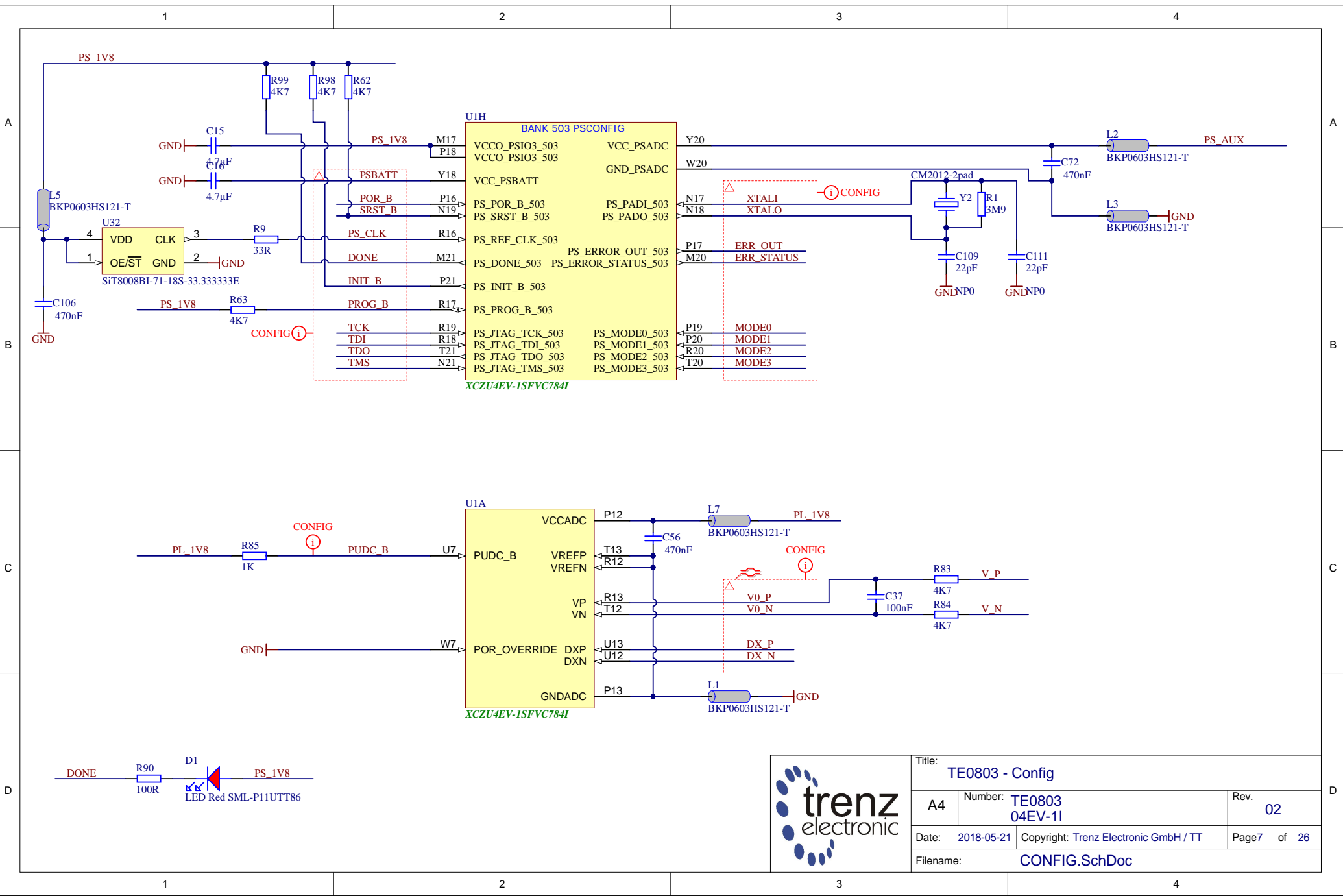
BANK 43 HD (ZU2/3 BANK 44 HD)

UIB
BANK 44 HD (ZU2/3 BANK 24 HD)

XCZU4EV-1SFVC784I
BANK 45 HD (ZU2/3 BANK 25 HD)



Title: TE0803 - HD Banks		
A4	Number: TE0803 04EV-11	Rev. 02
Date: 2018-05-21	Copyright: Trenz Electronic GmbH / TT	Page6 of 26
Filename: B_HD.SchDoc		



Title: TE0803 - Config		
A4	Number: TE0803 04EV-11	Rev. 02
Date: 2018-05-21	Copyright: Trenz Electronic GmbH / TT	Page 7 of 26
Filename: CONFIG.SchDoc		

1

2

3

4

A

A

B

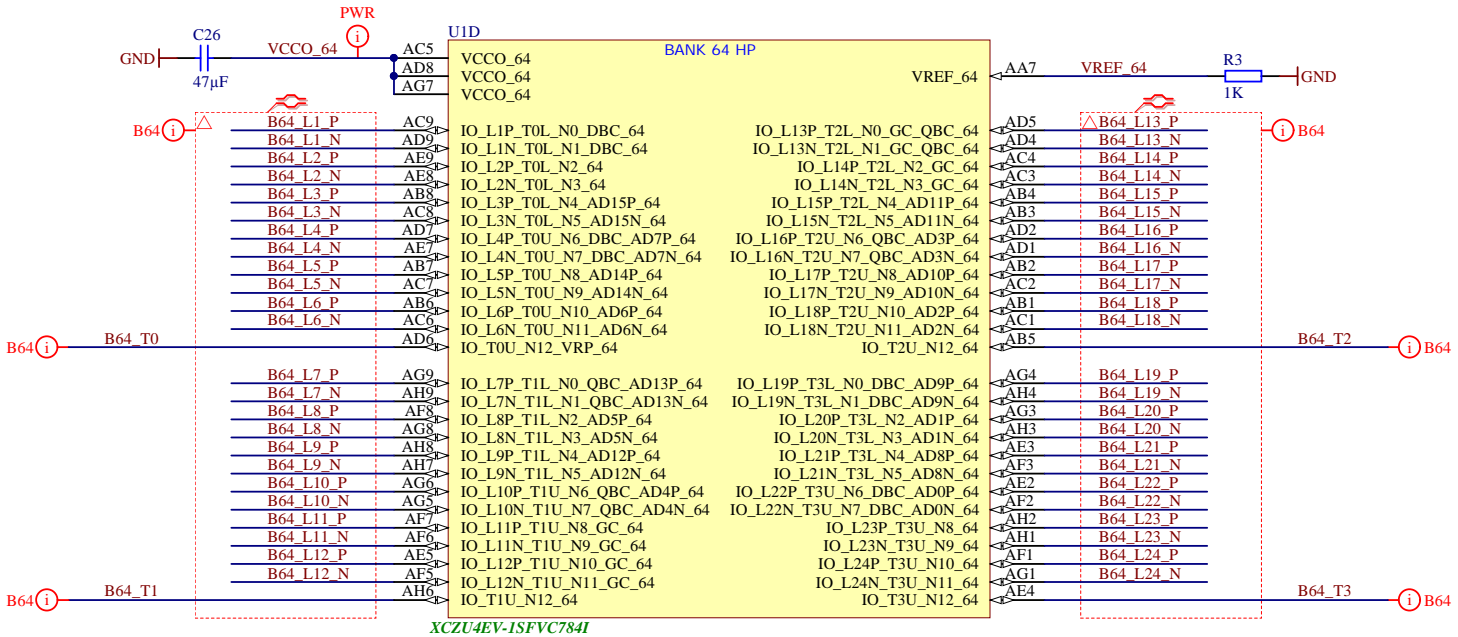
B

C

C

D

D



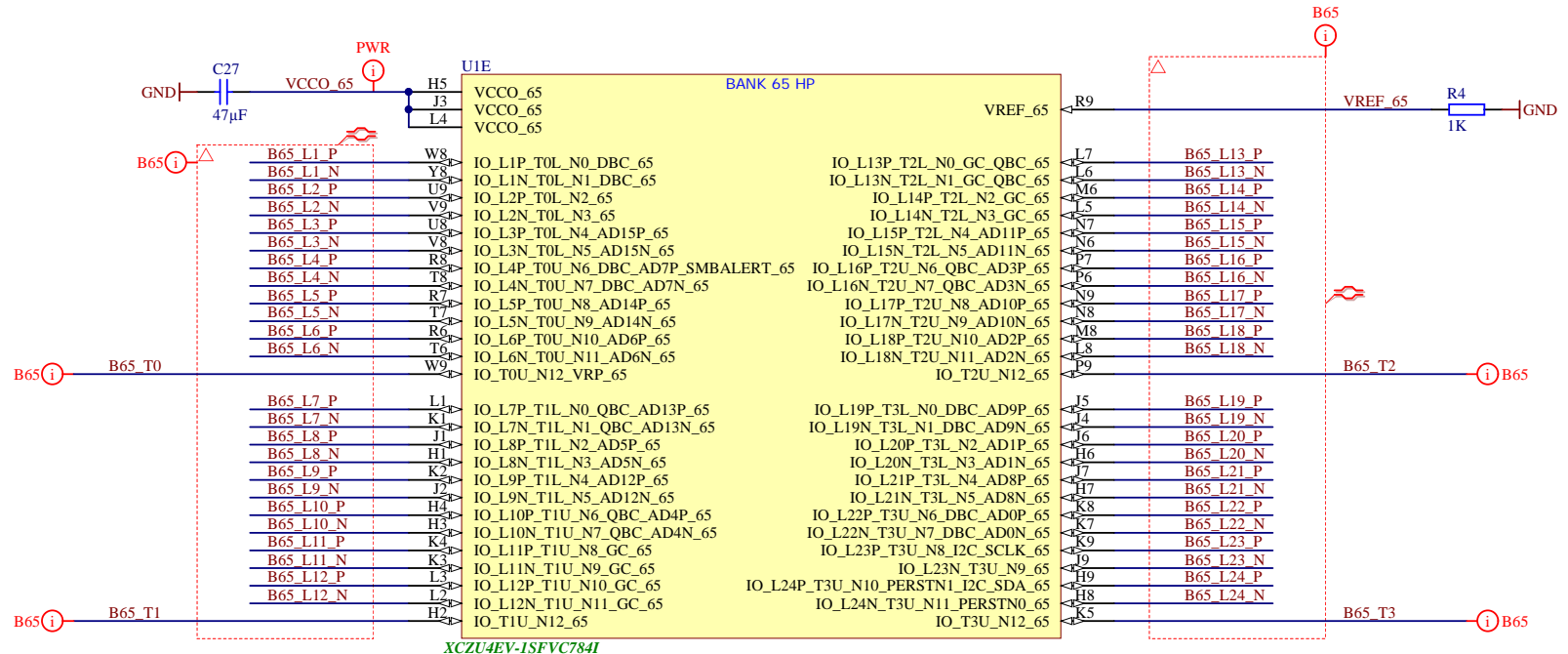
	Title: TE0803 - B64		
	A4	Number: TE0803 04EV-11	Rev. 02
	Date: 2018-05-21	Copyright: Trenz Electronic GmbH / TT	Page 8 of 26
	Filename: B64.SchDoc		

1

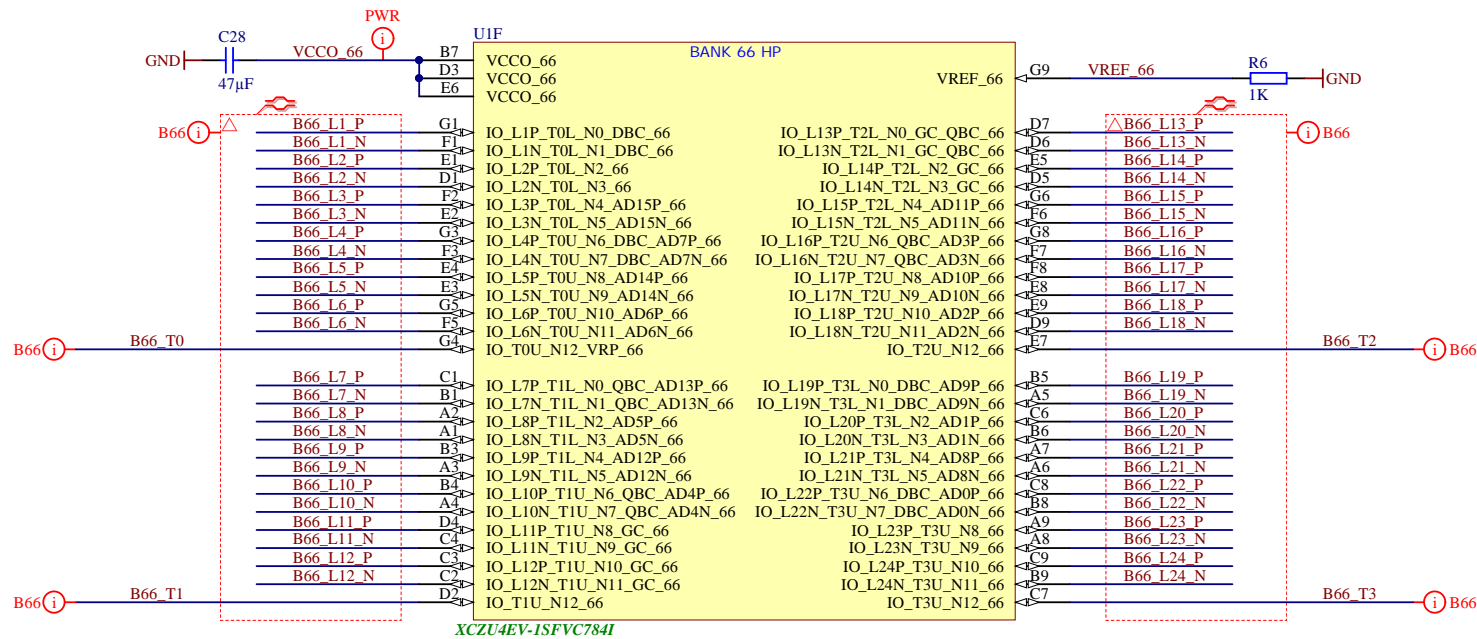
2

3

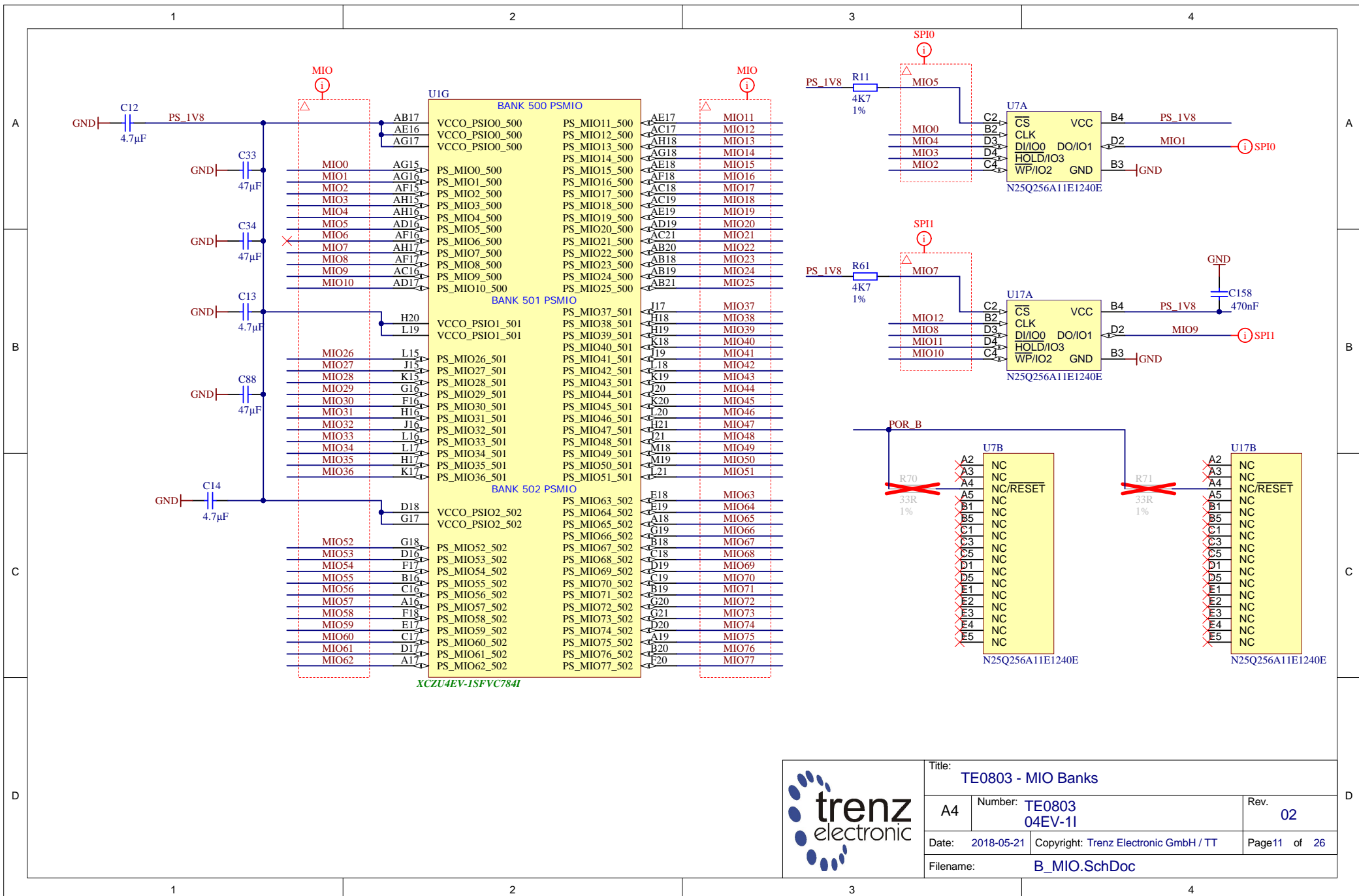
4



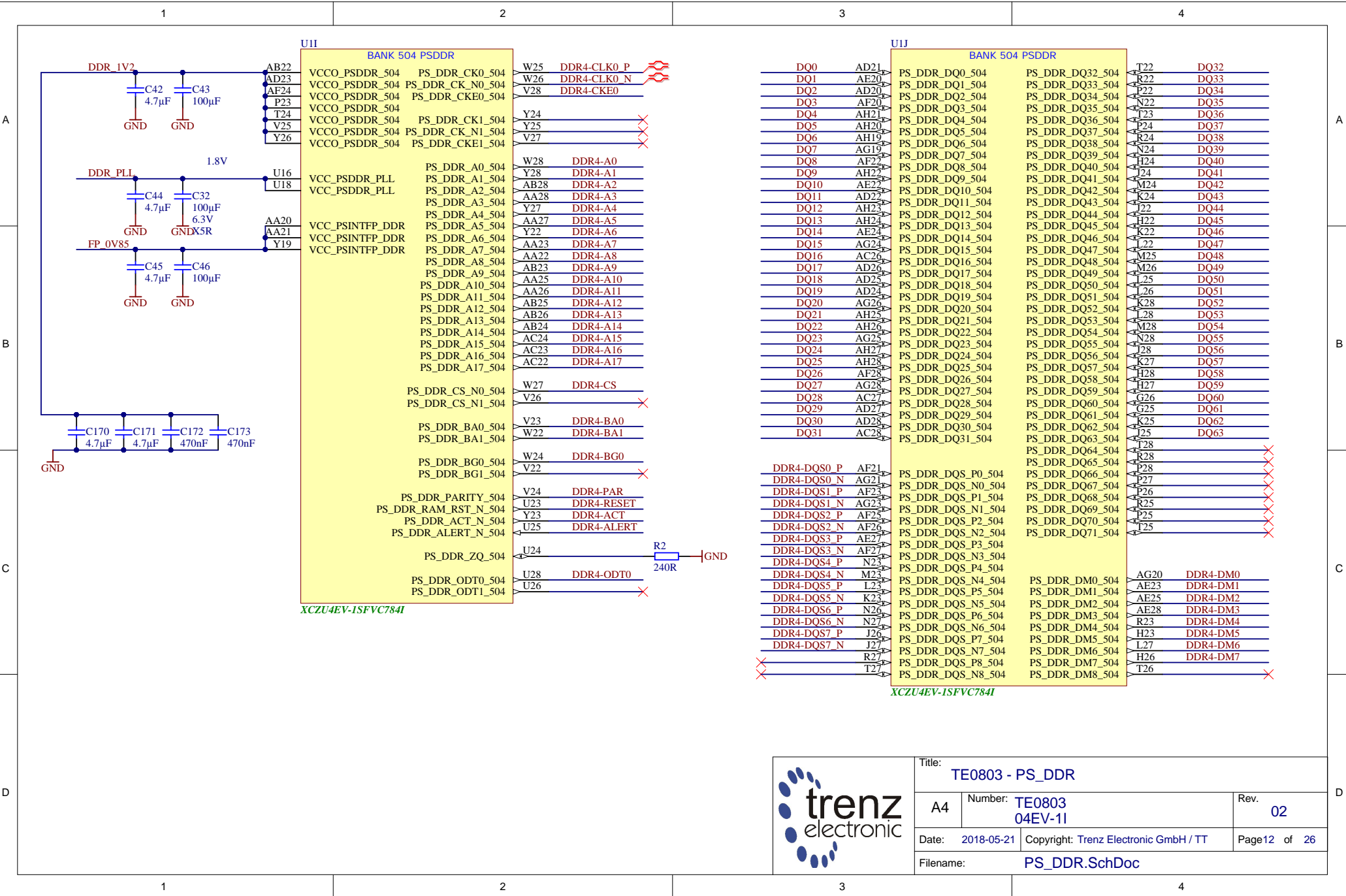
	Title: TE0803 - B65	
	A4	Number: TE0803 04EV-11
	Date: 2018-05-21	Copyright: Trenz Electronic GmbH / TT
	Filename: B65.SchDoc	Rev. 02
		Page9 of 26



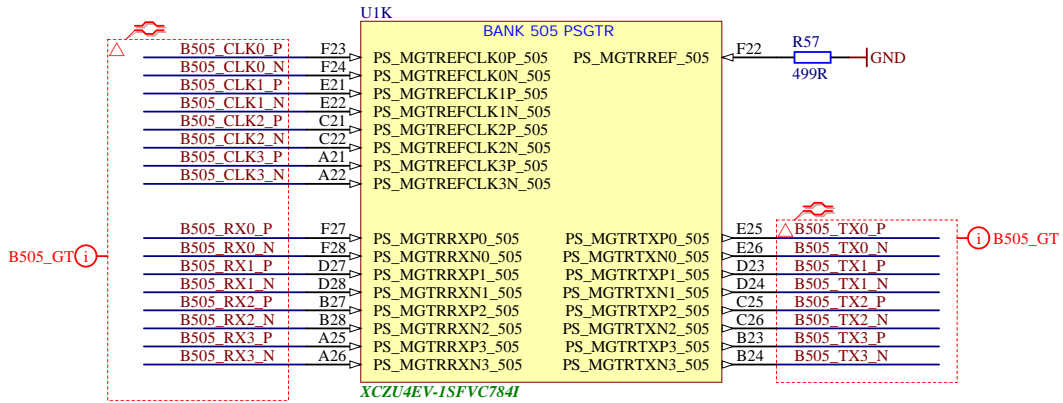
Title: TE0803 - B66		
A4	Number: TE0803 04EV-11	Rev. 02
Date: 2018-05-21	Copyright: Trenz Electronic GmbH / TT	Page10 of 26
Filename: B66.SchDoc		



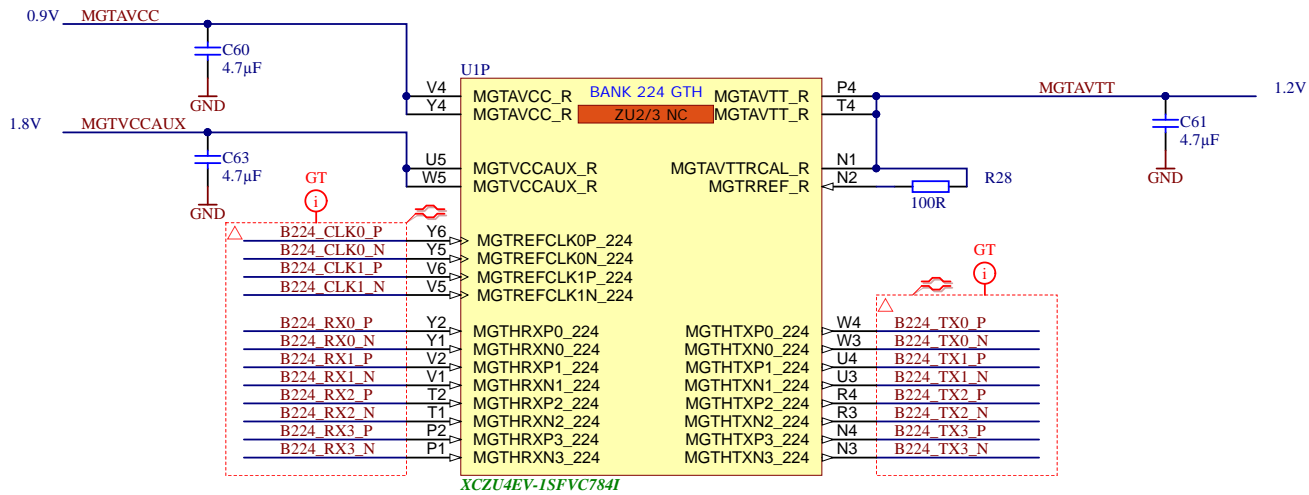
	Title: TE0803 - MIO Banks	
	A4	Number: TE0803 04EV-11
	Date: 2018-05-21	Copyright: Trenz Electronic GmbH / TT
	Filename: B_MIO.SchDoc	Page 11 of 26
Rev. 02		



Title: TE0803 - PS_DDR			
A4	Number: TE0803 04EV-11	Rev. 02	
Date: 2018-05-21	Copyright: Trenz Electronic GmbH / TT	Page 12 of 26	
Filename: PS_DDR.SchDoc			



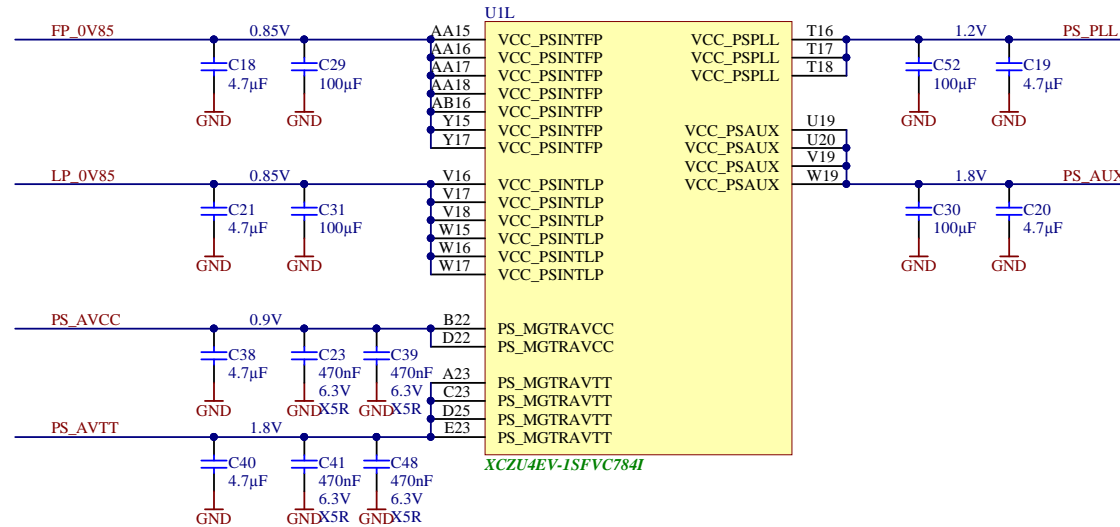
	Title: TE0803 - PS_GT		
	A4	Number: TE0803 04EV-1I	Rev. 02
	Date: 2018-05-21	Copyright: Trenz Electronic GmbH / TT	Page 13 of 26
	Filename: B_PS_GT.SchDoc		



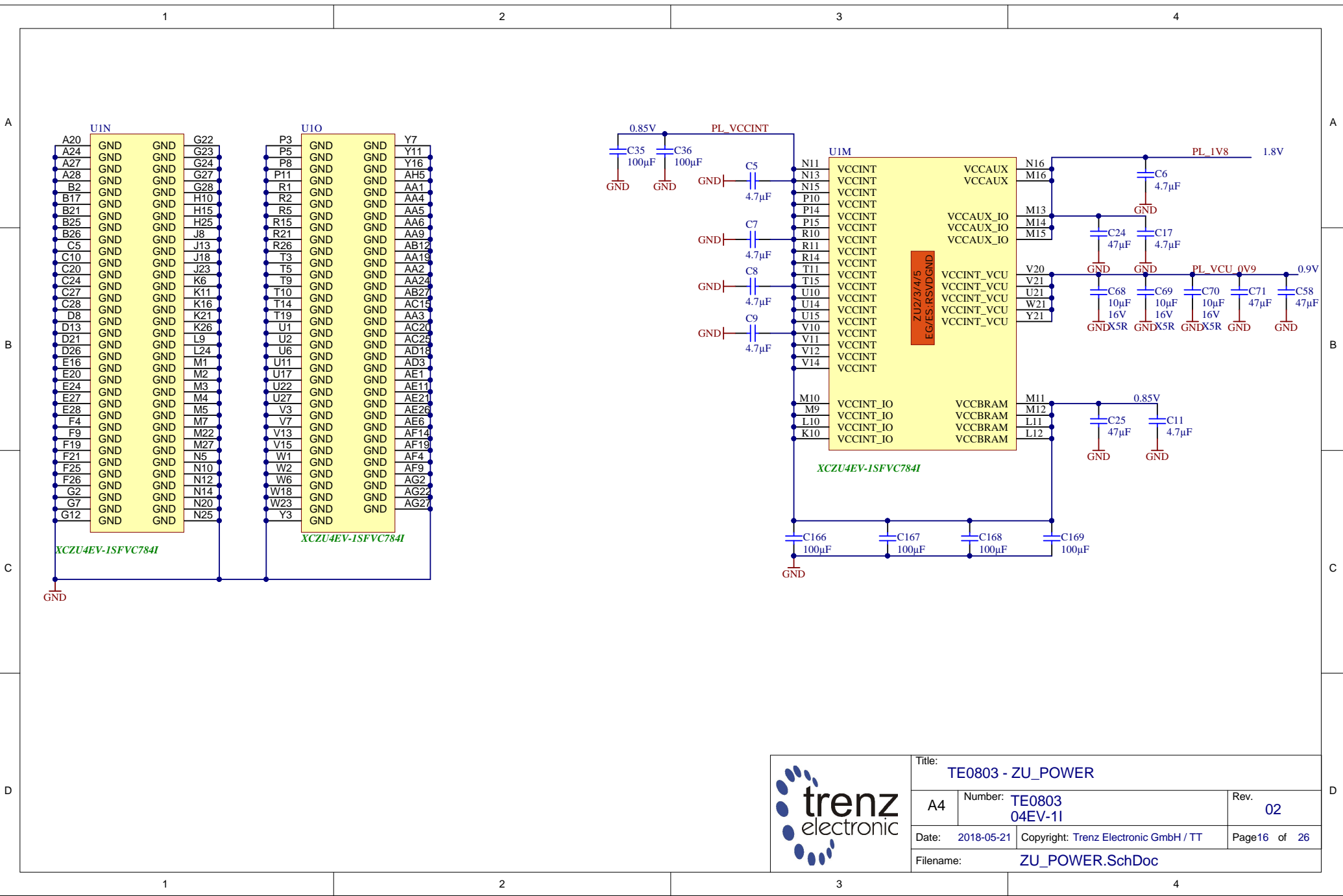
XCZU4EV-1SFVC784I




Title: TE0803 - B224GTH		
A4	Number: TE0803 04EV-11	Rev. 02
Date: 2018-05-21	Copyright: Trenz Electronic GmbH / TT	Page 14 of 26
Filename: B_GT.SchDoc		



Title: TE0803 - ZU_PS_POWER		
A4	Number: TE0803 04EV-11	Rev. 02
Date: 2018-05-21	Copyright: Trenz Electronic GmbH / TT	Page15 of 26
Filename: ZU_PS_POWER.SchDoc		



			Title: TE0803 - ZU_POWER	
			A4	Number: TE0803 04EV-11
Date: 2018-05-21		Copyright: Trenz Electronic GmbH / TT		Page16 of 26
Filename: ZU_POWER.SchDoc				

1

2

3

4

A

A

B

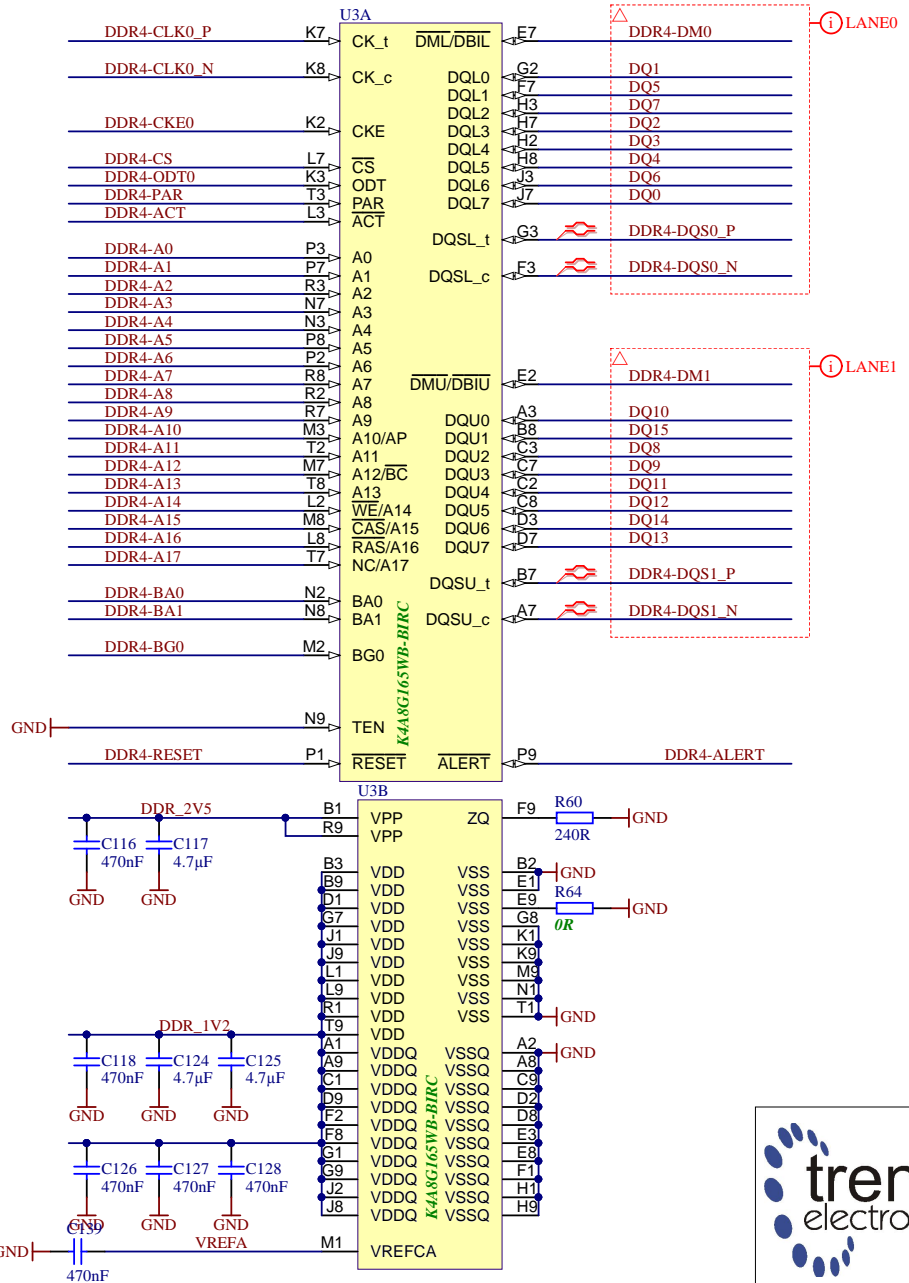
B

C

C

D

D



Title: TE0803 - DDR4_2_RAM		
A4	Number: TE0803 04EV-11	Rev. 02
Date: 2018-05-21	Copyright: Trenz Electronic GmbH / TT	Page18 of 26
Filename: DDR4-RAM_2.SchDoc		

1

2

3

4

1

2

3

4

A

A

B

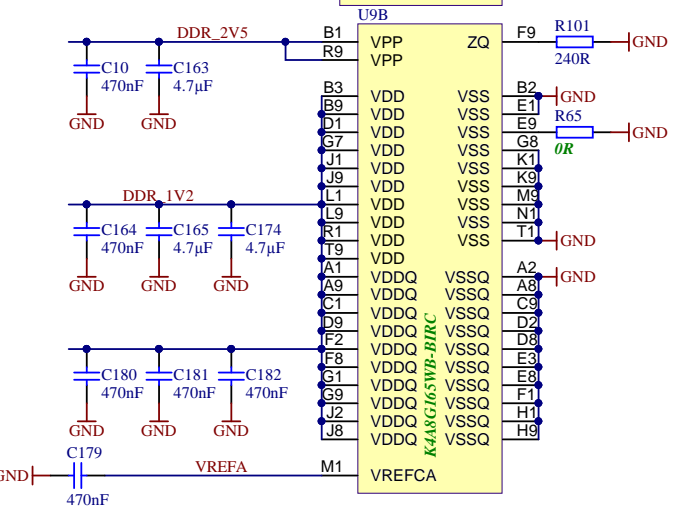
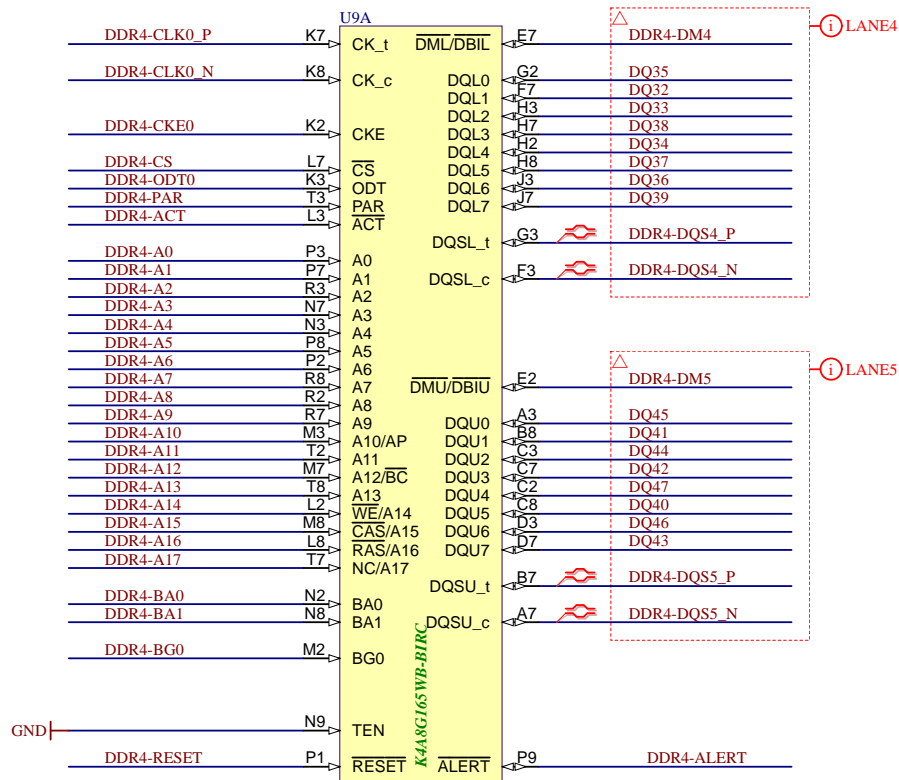

B

C

C

D

D

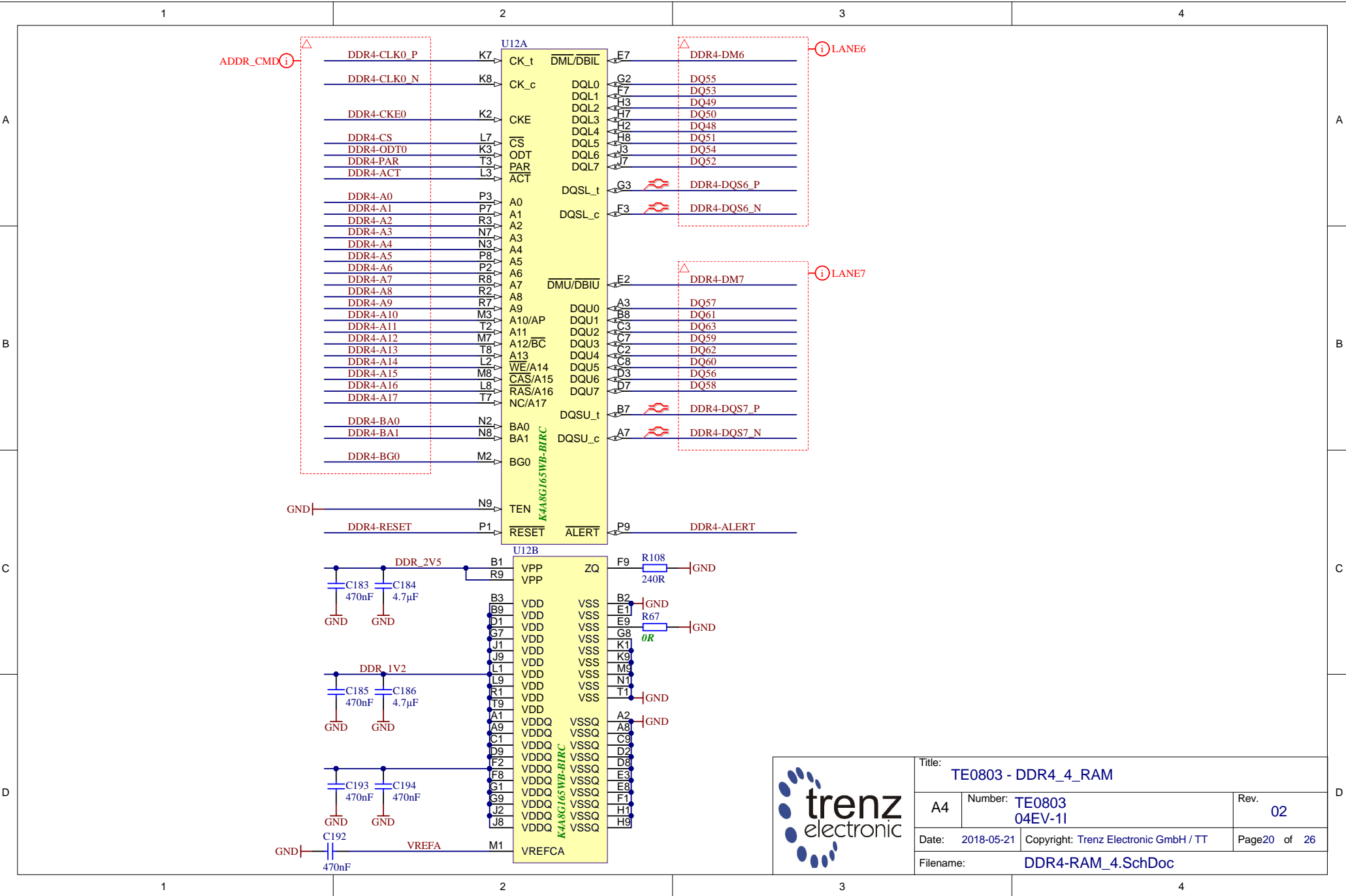
Title: TE0803 - DDR4_3_RAM		
A4	Number: TE0803 04EV-11	Rev. 02
Date: 2018-05-21	Copyright: Trenz Electronic GmbH / TT	Page 19 of 26
Filename: DDR4-RAM_3.SchDoc		

1

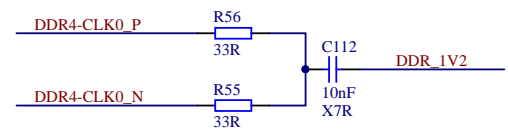
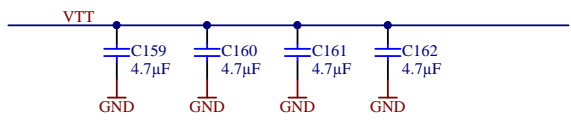
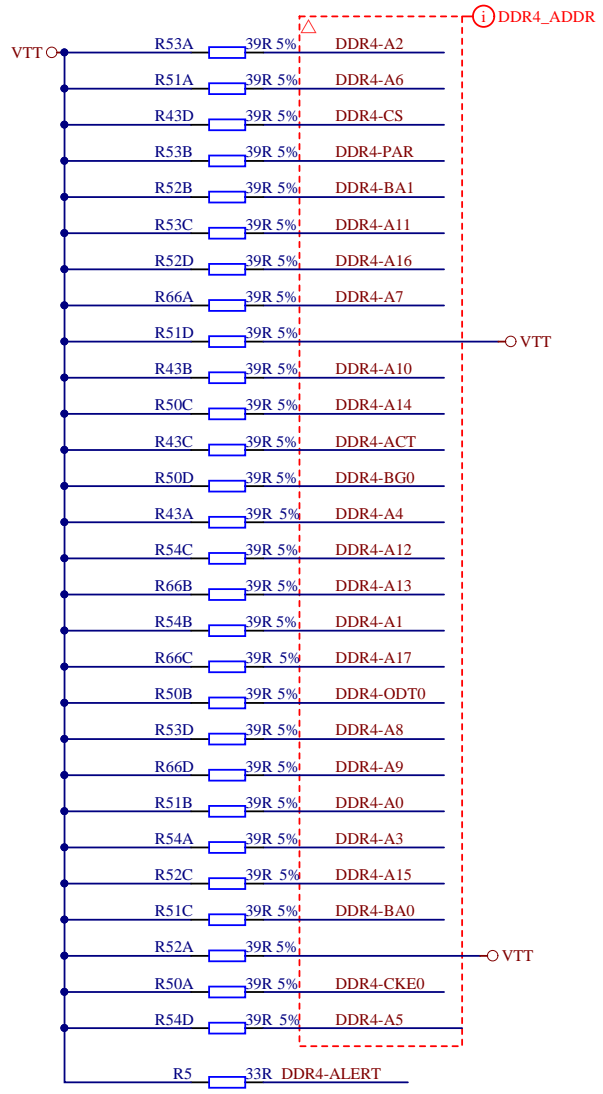
2

3

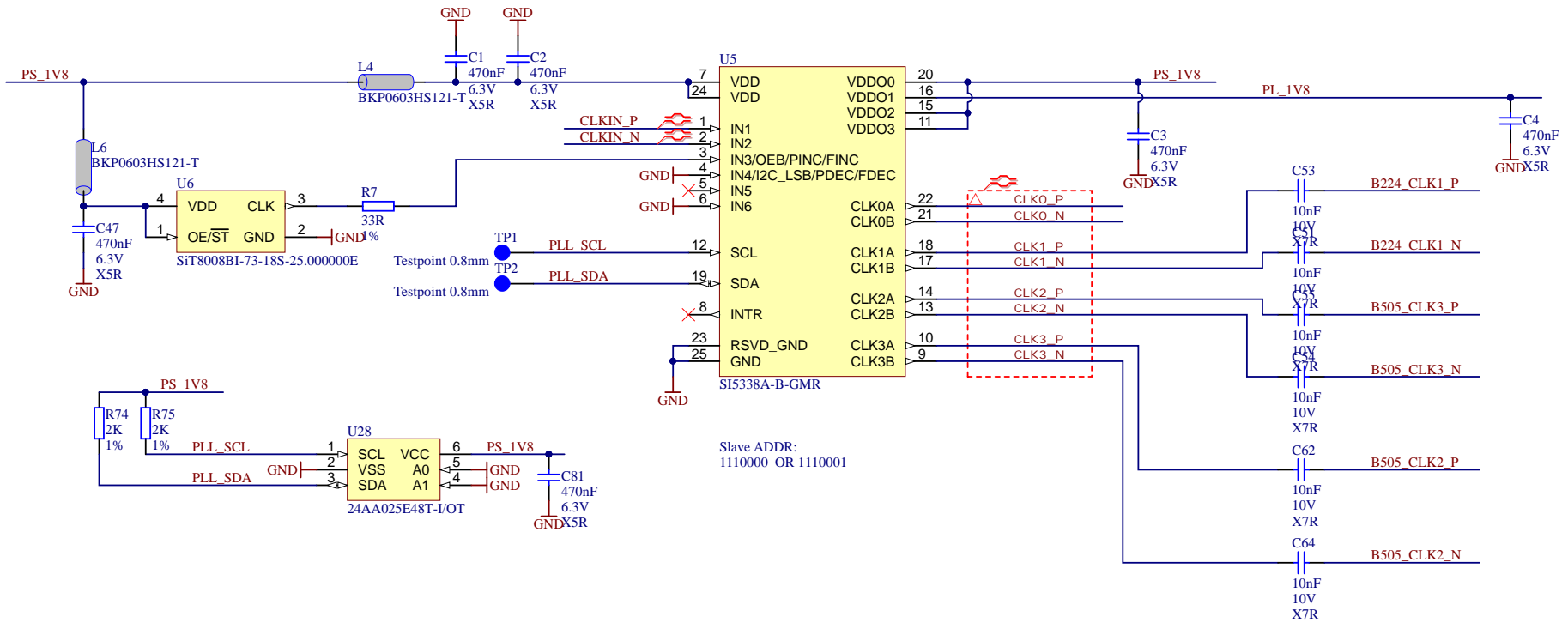
4



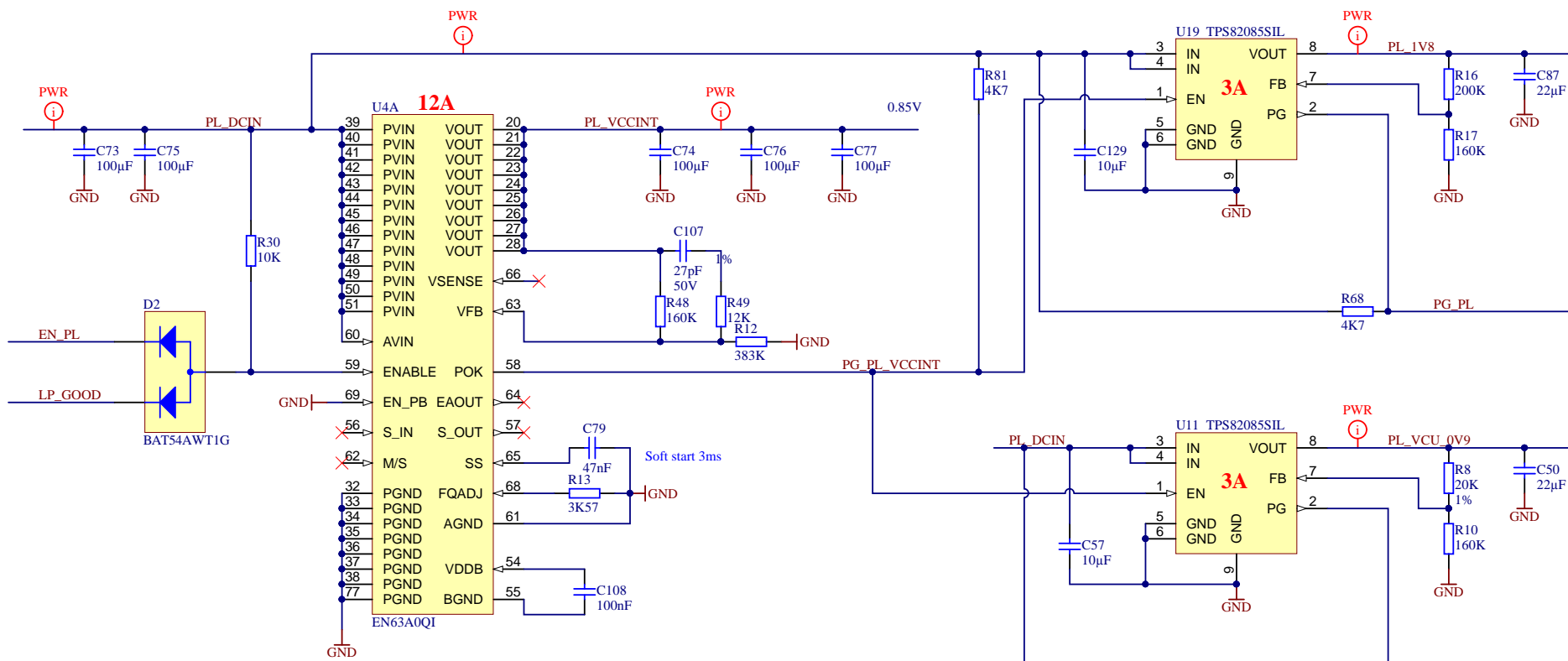
Title: TE0803 - DDR4_4_RAM		
A4	Number: TE0803 04EV-11	Rev. 02
Date: 2018-05-21	Copyright: Trenz Electronic GmbH / TT	Page20 of 26
Filename: DDR4-RAM_4.SchDoc		



Title: TE0803 - DDR4_TERM		
A4	Number: TE0803 04EV-11	Rev. 02
Date: 2018-05-21	Copyright: Trenz Electronic GmbH / TT	Page21 of 26
Filename: DDR4-TERM.SchDoc		



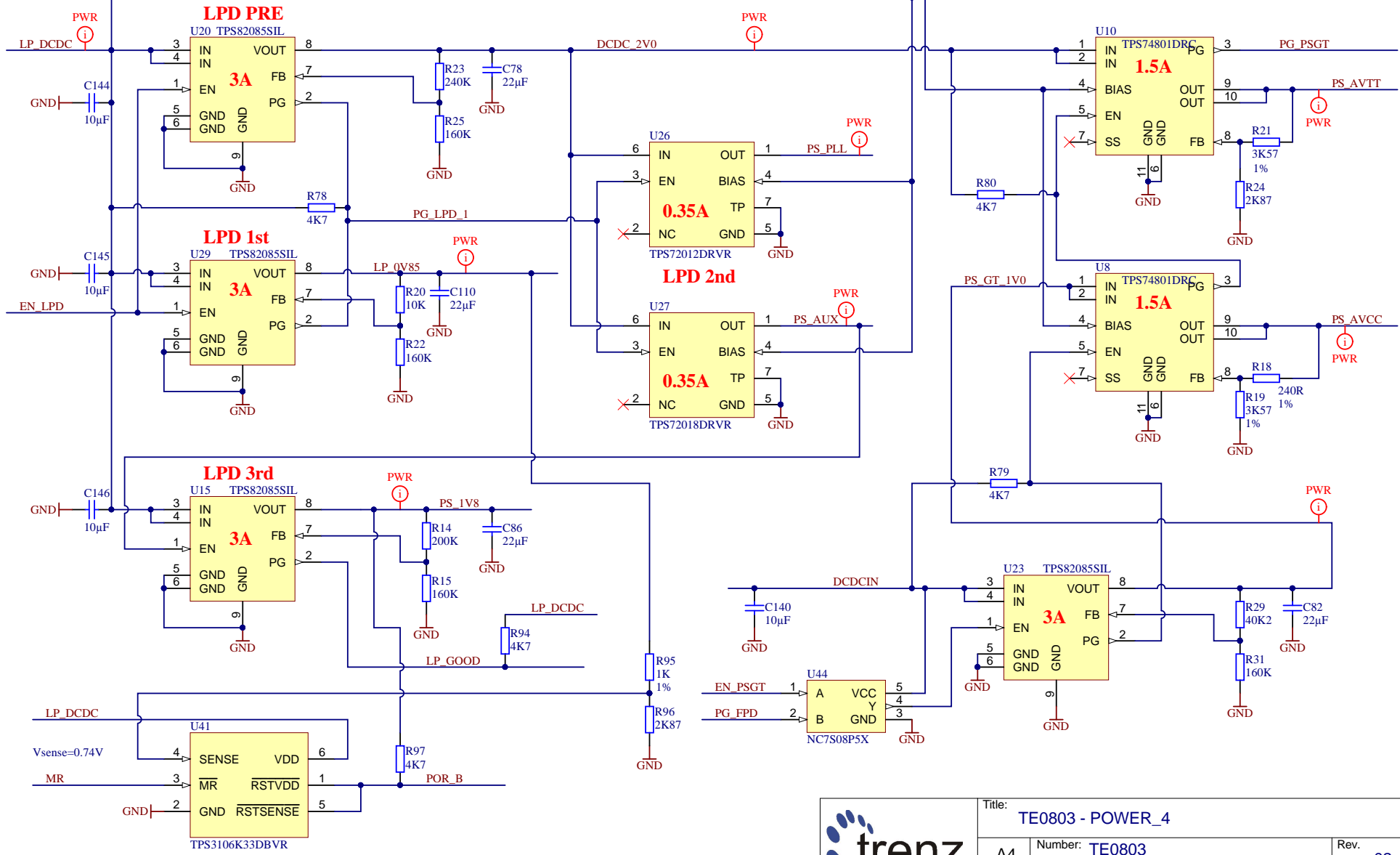
Title: TE0803 - CLOCK		
A4	Number: TE0803 04EV-11	Rev. 02
Date: 2018-05-21	Copyright: Trenz Electronic GmbH / TT	Page22 of 26
Filename: Clock.SchDoc		




U4B
EN63A0QI

1	NC	NC	17
2	NC	NC	18
3	NC	NC	19
4	NC	NC	29
5	NC	NC	30
6	NC	NC(SW)	31
7	NC	NC(SW)	52
8	NC	NC	53
9	NC	NC	67
10	NC	NC(SW)	70
11	NC	NC(SW)	71
12	NC	NC(SW)	72
13	NC	NC	73
14	NC	NC	74
15	NC	NC	75
16	NC	NC	76

	Title: TE0803 - POWER		
	A4	Number: TE0803 04EV-11	Rev. 02
	Date: 2018-05-21	Copyright: Trenz Electronic GmbH / TT	Page23 of 26
	Filename: POWER.SchDoc		



			Title: TE0803 - POWER_4	
			A4	Number: TE0803 04EV-11
Date: 2018-05-21		Copyright: Trenz Electronic GmbH / TT		Page25 of 26
Filename: POWER_4.SchDoc				

1

2

3

4

CHANGES REV01a (20.11.2017):

1) VCU voltage set to 0.9V, R20 changed to 40K , PL_VCU_1V0 renamed to PL_VCU_0V9.

CHANGES REV02 (20.06.2018):

- 1) Added LDO to DDR_PLL
- 2) All differential pairs wath length matched with tollerance 0.1mm (excluding package delays)
- 3) Added MAC EEPROM U28
- 4) VPS_MGTRAVCC set to 0.85V
- 5) Added pull-up resistors R68,R69

A

A

B

B

C

C

D

D



Title: TE0803 - Changes list		
A4	Number: TE0803 04EV-11	Rev. 02
Date: 2018-05-21	Copyright: Trenz Electronic GmbH	Page26 of 26
Filename: Revision_Changes.SchDoc		

1

2

3

4