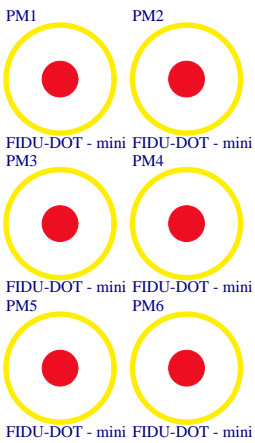
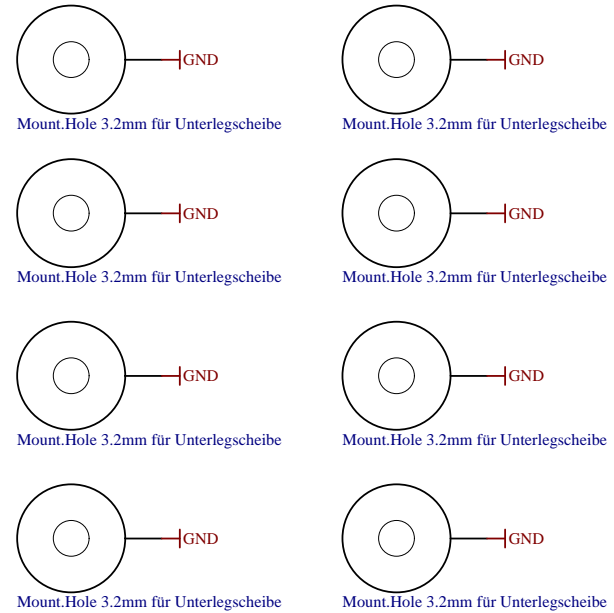
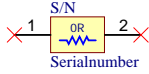


- | | | |
|---------------------------------|-----------------------------------|-------------------------------------|
| U_J1
J1.SchDoc | U_B_PS_GT
B_PS_GT.SchDoc | U_DDR4-TERM
DDR4-TERM.SchDoc |
| U_J2
J2.SchDoc | U_PS_DDR
PS_DDR.SchDoc | U_ZU_POWER
ZU_POWER.SchDoc |
| U_J3
J3.SchDoc | U_B_MIO
B_MIO.SchDoc | U_ZU_PS_POWER
ZU_PS_POWER.SchDoc |
| U_J4
J4.SchDoc | U_B_HD
B_HD.SchDoc | U_POWER
POWER.SchDoc |
| U_DDR4-TERM
DDR4-TERM.SchDoc | U_Clock
Clock.SchDoc | U_POWER_2
POWER_2.SchDoc |
| U_B64
B64.SchDoc | U_CONFIG
CONFIG.SchDoc | |
| U_B65
B65.SchDoc | U_DDR4-RAM
DDR4-RAM.SchDoc | U_POWER_4
POWER_4.SchDoc |
| U_B66
B66.SchDoc | U_DDR4-RAM_2
DDR4-RAM_2.SchDoc | U_REV_CH
Revision_Changes.SchDoc |
| U_B_GT
B_GT.SchDoc | U_DDR4-RAM_3
DDR4-RAM_3.SchDoc | |
| | U_DDR4-RAM_4
DDR4-RAM_4.SchDoc | |



LOGO1
TE Logo PRINT Layer
LOGO PRINT

Serial
Serialnumber 6,3 x 6.3mm



	Title: TE0803		
	A4	Number: TE0803 05EV-11A	Rev. 02
	Date: 2018-05-21	Copyright: Trenz Electronic GmbH / TT	Page1 of 26
	Filename: TE0803.SchDoc		

1

2

3

4

A

A

B

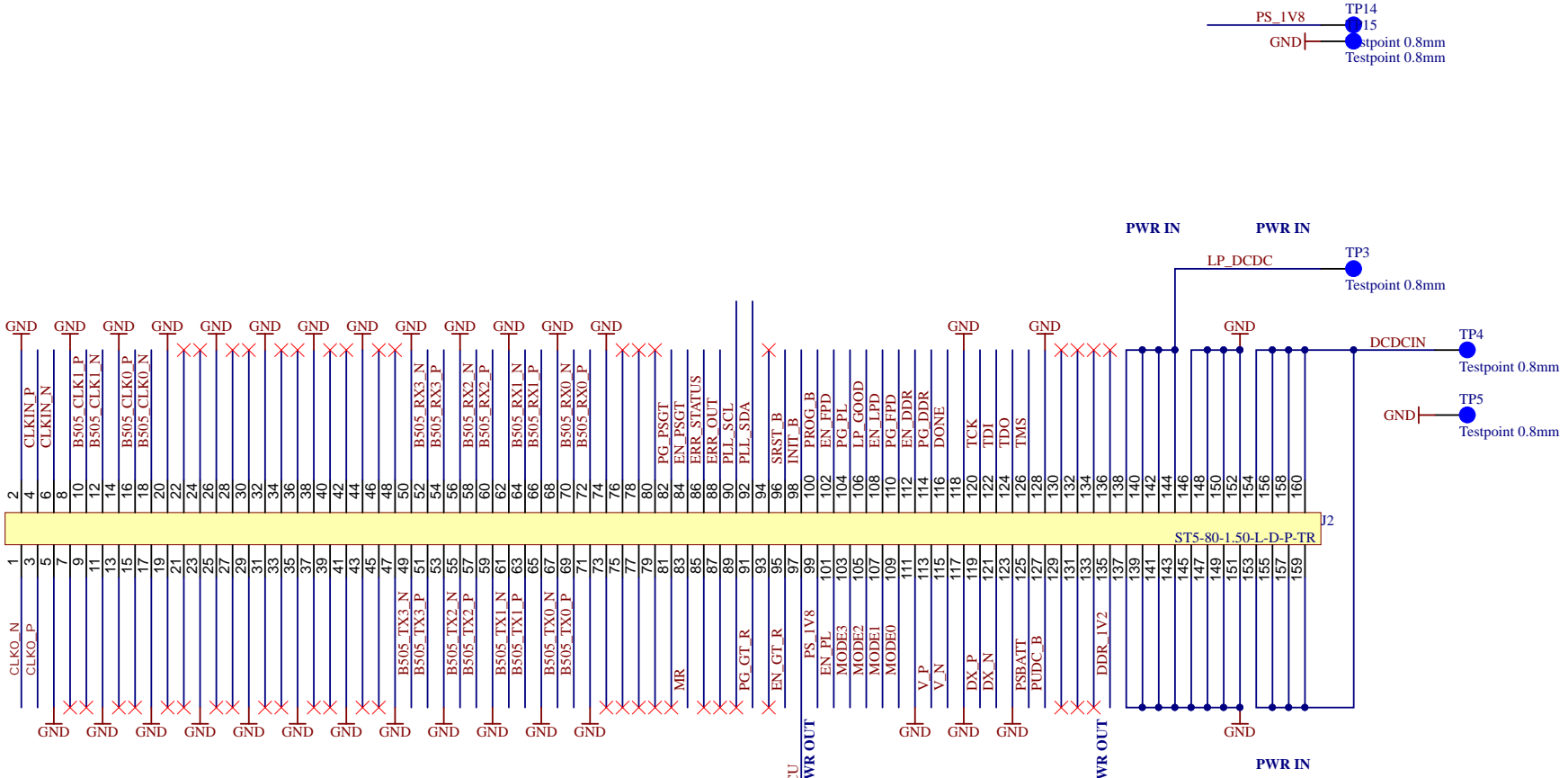
B

C

C

D

D



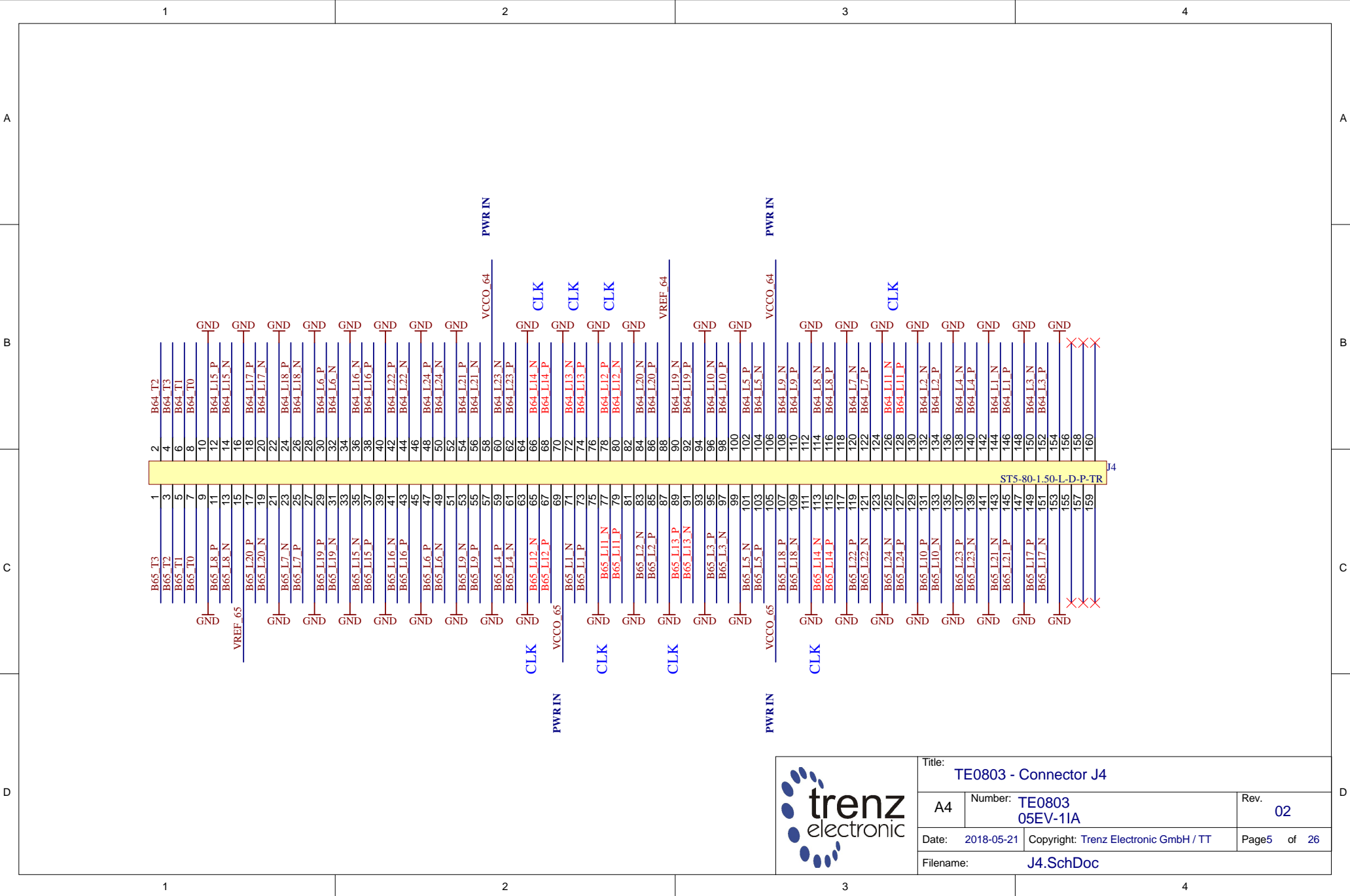
Title: TE0803 - Connector J2		
A4	Number: TE0803 05EV-11A	Rev. 02
Date: 2018-05-21	Copyright: Trenz Electronic GmbH / TT	Page3 of 26
Filename: J2.SchDoc		

1

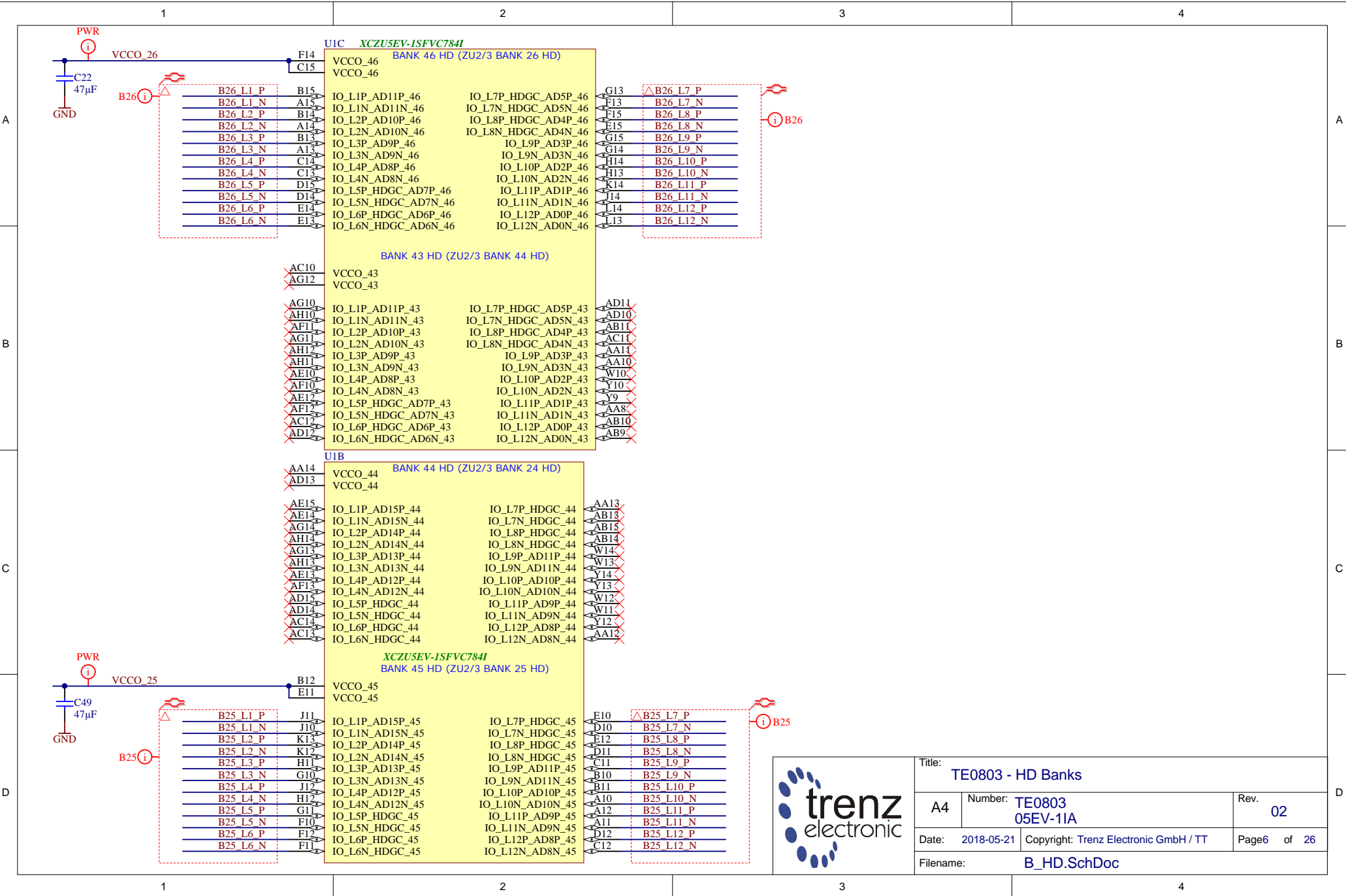
2

3

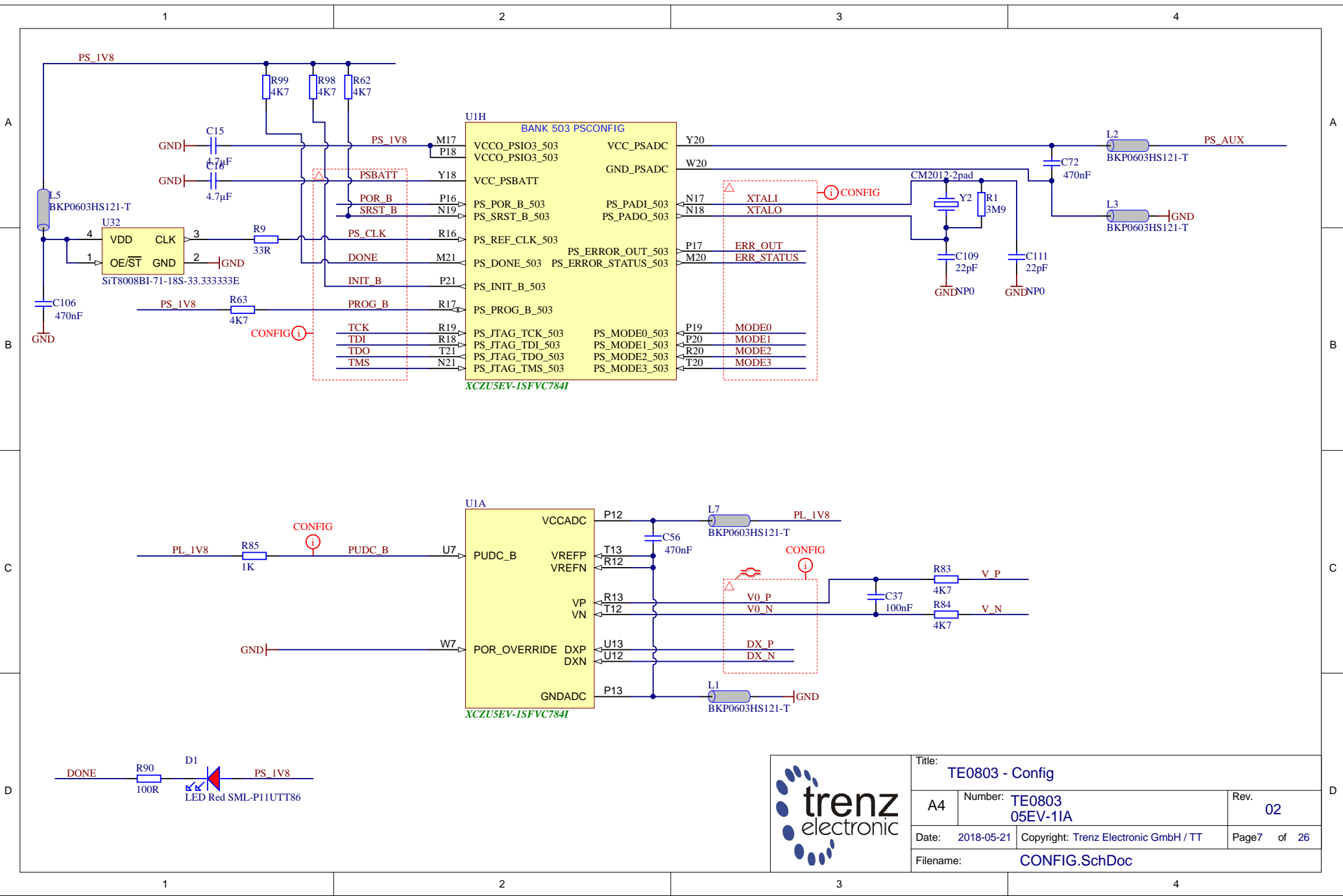
4



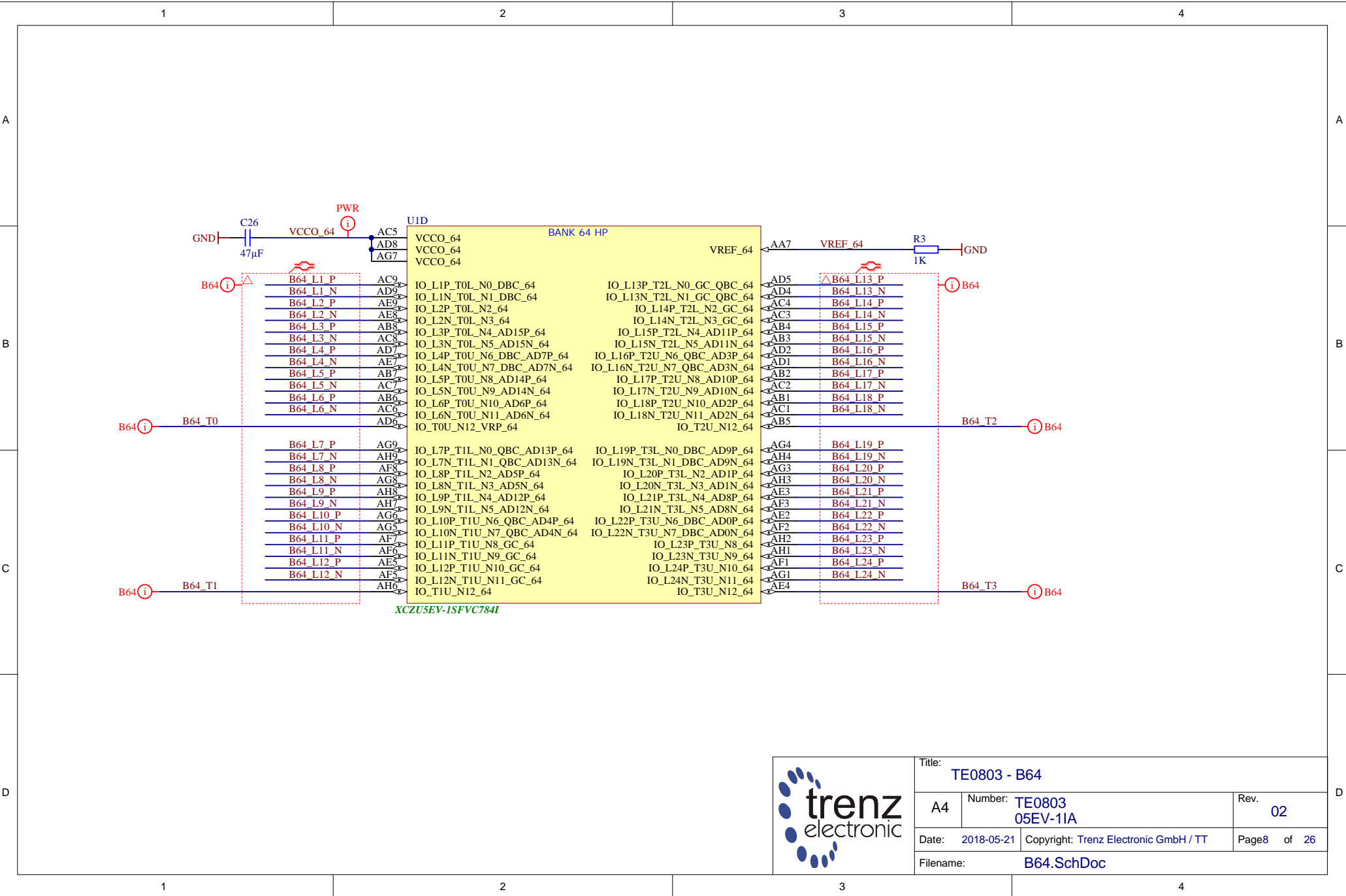
Title: TE0803 - Connector J4		
A4	Number: TE0803 05EV-11A	Rev. 02
Date: 2018-05-21	Copyright: Trenz Electronic GmbH / TT	Page5 of 26
Filename: J4.SchDoc		



Title: TE0803 - HD Banks		
A4	Number: TE0803 05EV-11A	Rev. 02
Date: 2018-05-21	Copyright: Trenz Electronic GmbH / TT	Page6 of 26
Filename: B_HD.SchDoc		



Title: TE0803 - Config		
A4	Number: TE0803 05EV-11A	Rev. 02
Date: 2018-05-21	Copyright: Trenz Electronic GmbH / TT	Page7 of 26
Filename: CONFIG.SchDoc		



Title: TE0803 - B64		
A4	Number: TE0803 05EV-11A	Rev. 02
Date: 2018-05-21	Copyright: Trenz Electronic GmbH / TT	Page8 of 26
Filename: B64.SchDoc		

1

2

3

4

A

A

B

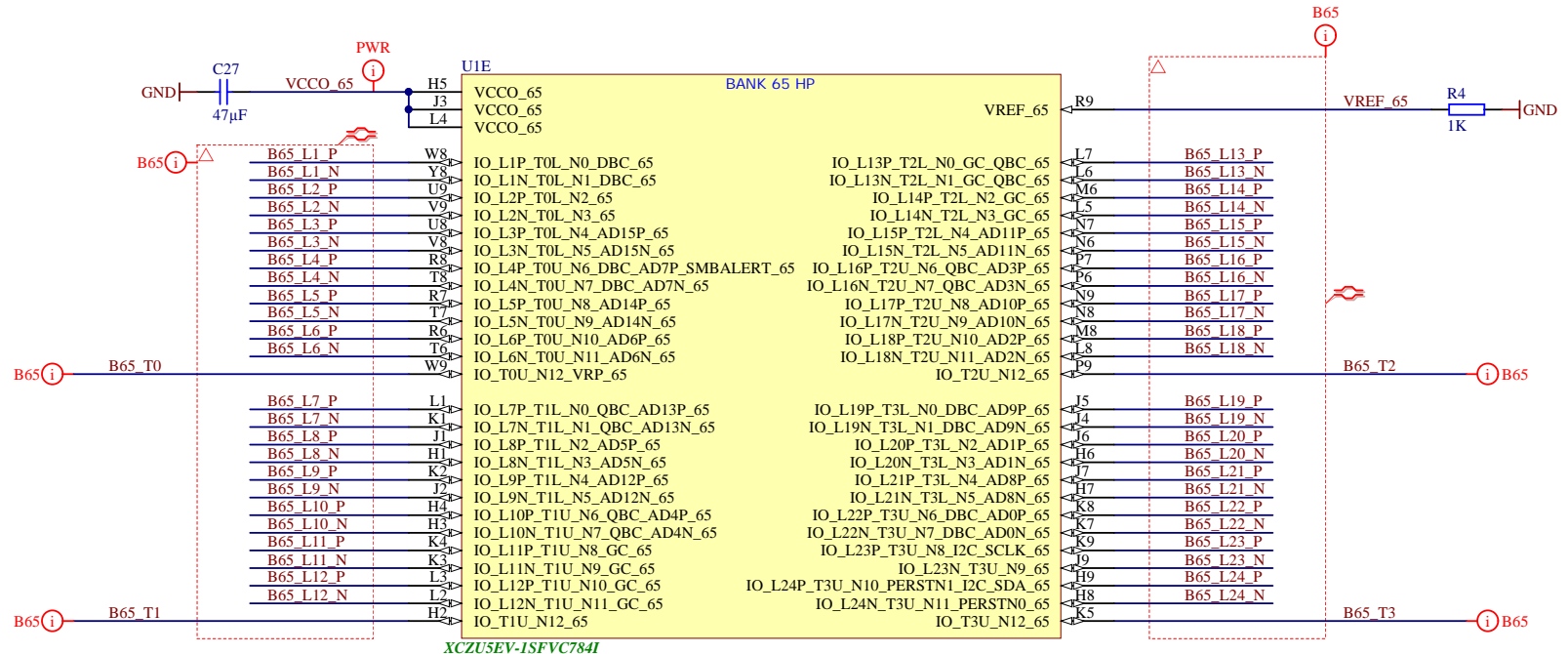
B

C

C

D

D



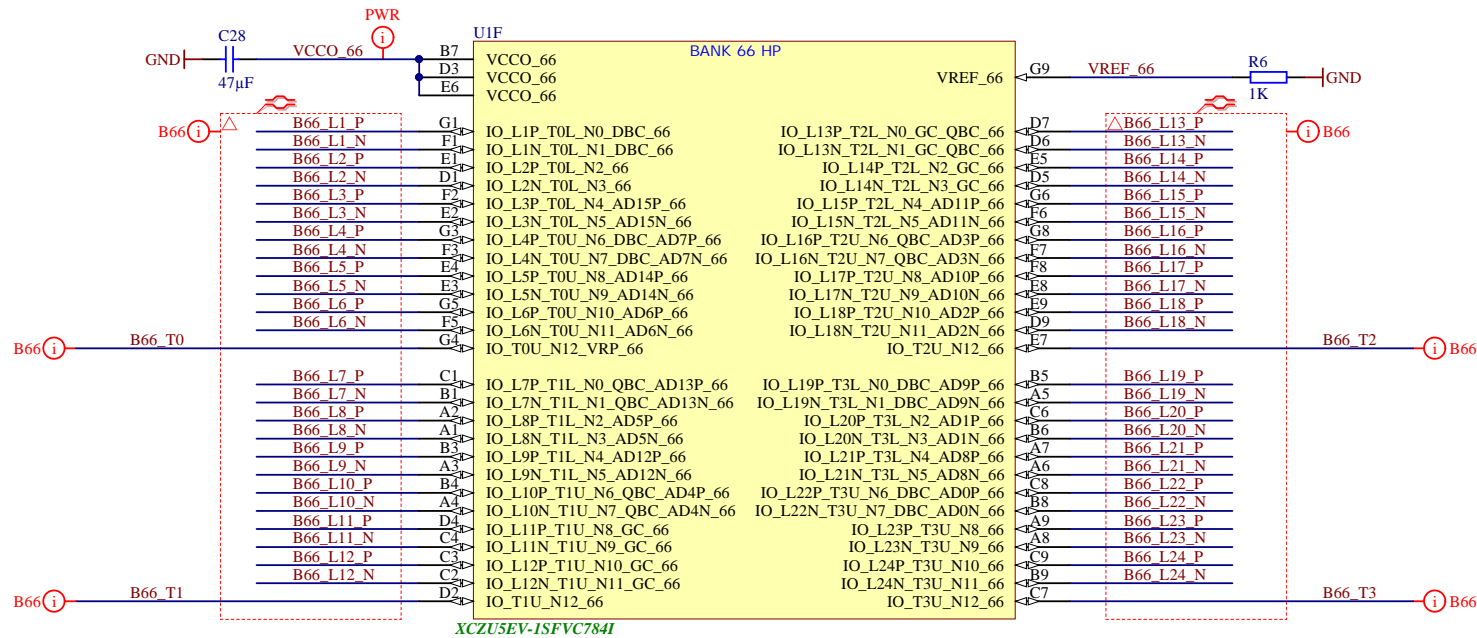
	Title: TE0803 - B65	
	A4	Number: TE0803 05EV-11A
	Date: 2018-05-21	Copyright: Trenz Electronic GmbH / TT
	Rev. 02	Page9 of 26
Filename: B65.SchDoc		

1

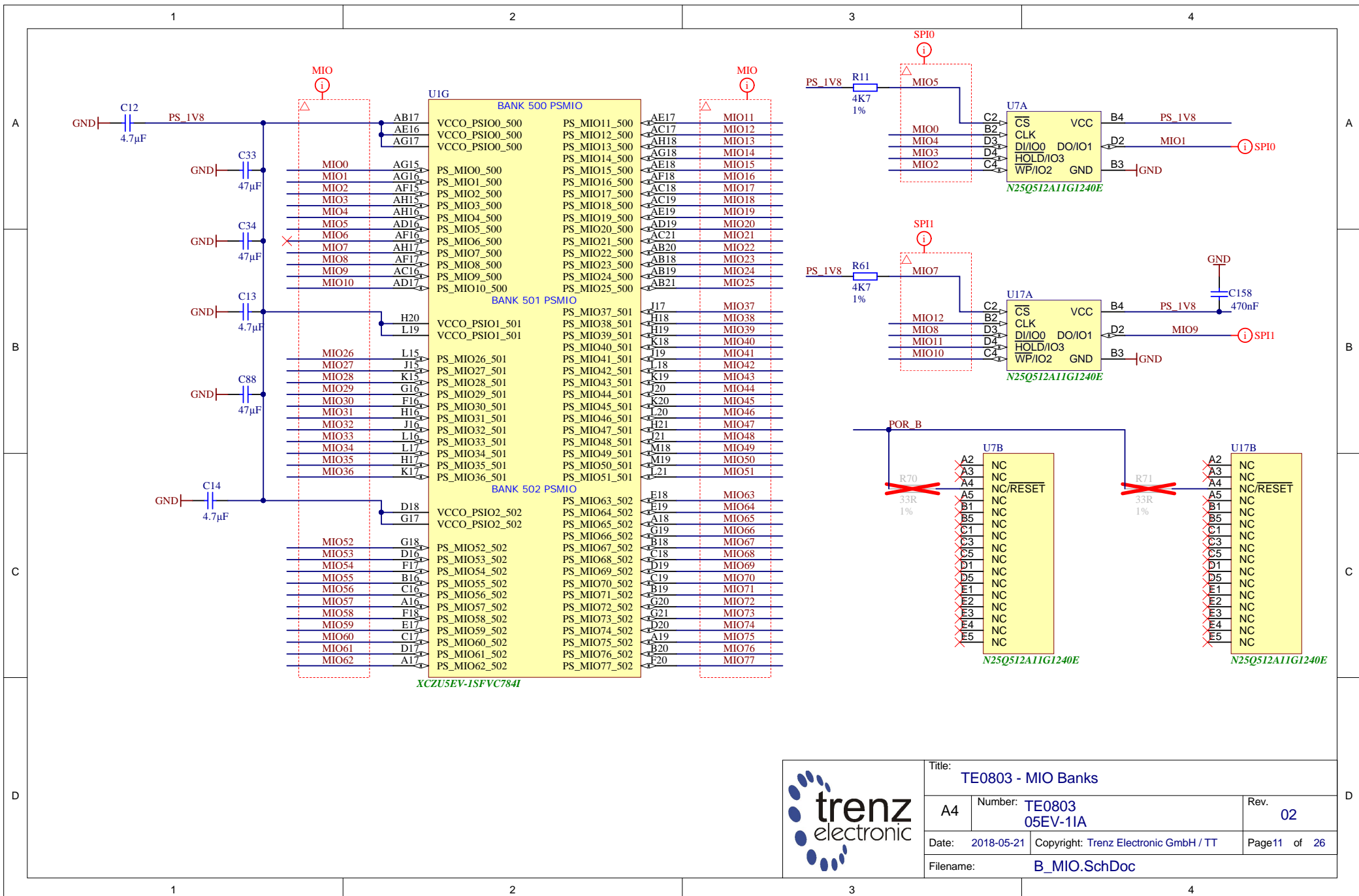
2

3

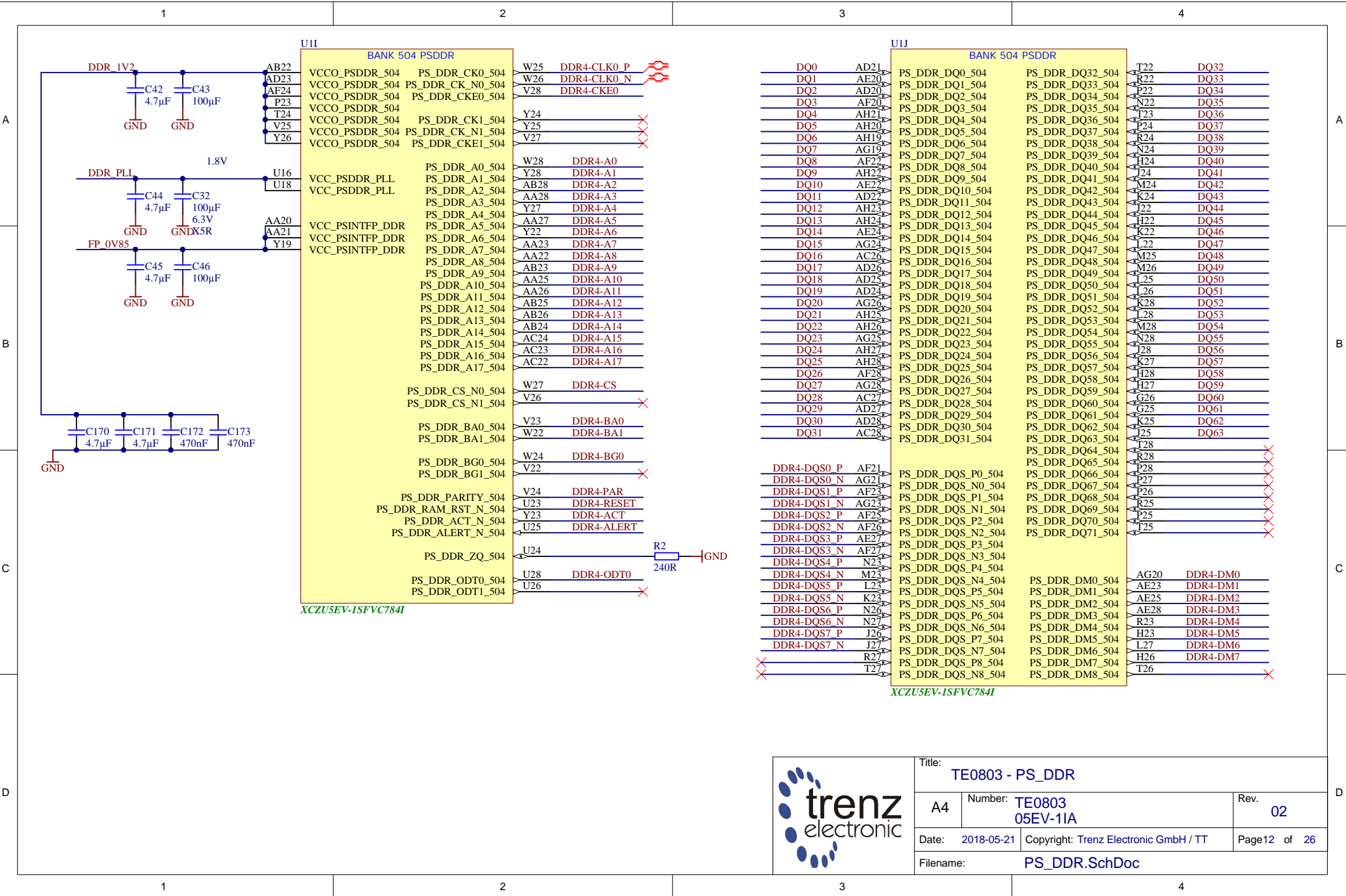
4



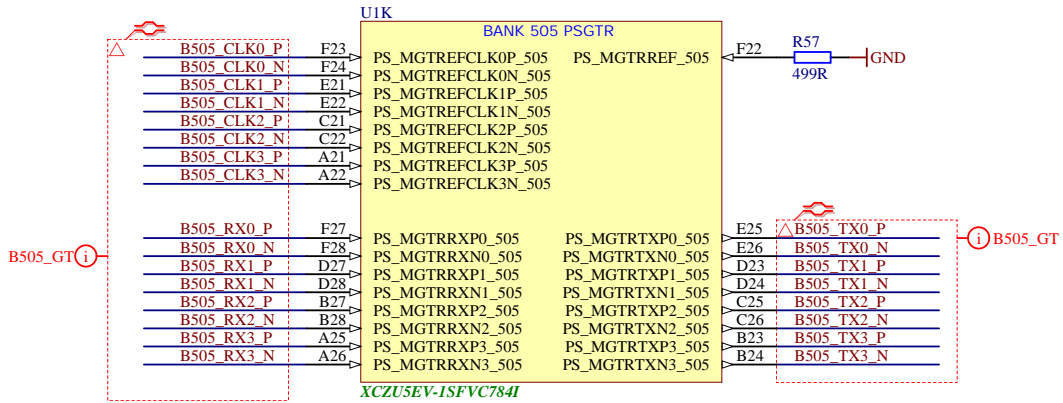
Title: TE0803 - B66		
A4	Number: TE0803 05EV-11A	Rev. 02
Date: 2018-05-21	Copyright: Trenz Electronic GmbH / TT	Page10 of 26
Filename: B66.SchDoc		




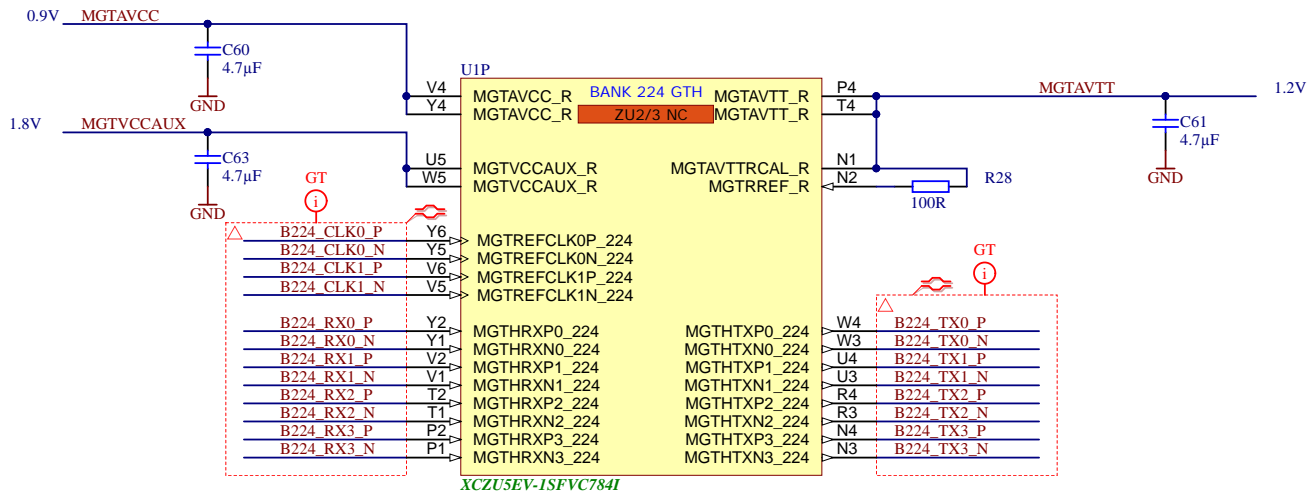
	Title: TE0803 - MIO Banks		
	A4	Number: TE0803 05EV-11A	Rev. 02
	Date: 2018-05-21	Copyright: Trenz Electronic GmbH / TT	Page 11 of 26
	Filename: B_MIO.SchDoc		



Title: TE0803 - PS_DDR			
A4	Number: TE0803 05EV-11A	Rev. 02	
Date: 2018-05-21	Copyright: Trenz Electronic GmbH / TT	Page 12 of 26	
Filename: PS_DDR.SchDoc			



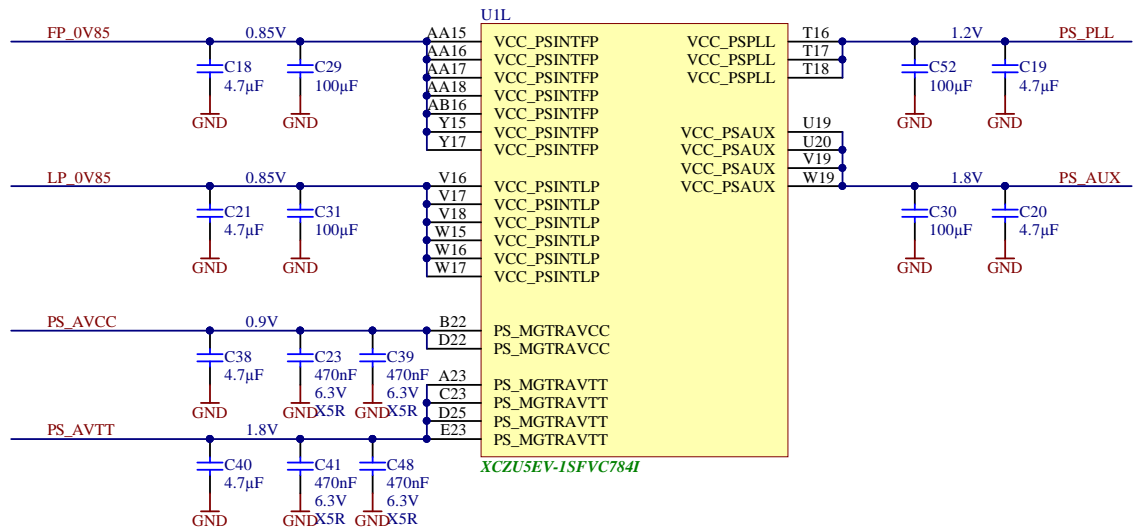
	Title: TE0803 - PS_GT		
	A4	Number: TE0803 05EV-11A	Rev. 02
	Date: 2018-05-21	Copyright: Trenz Electronic GmbH / TT	Page13 of 26
	Filename: B_PS_GT.SchDoc		



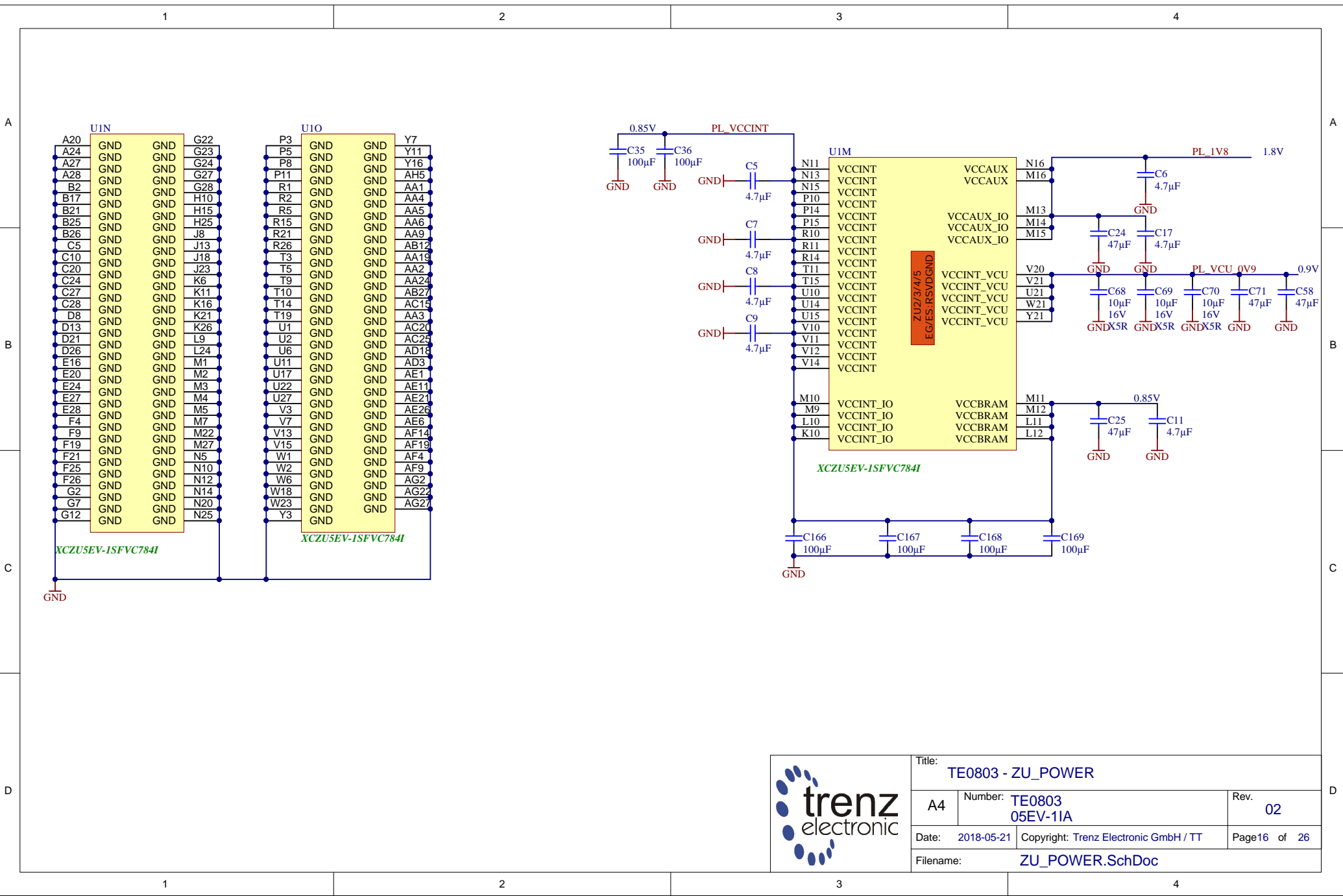
XZU5EV-1SFVC784I




Title: TE0803 - B224GTH		
A4	Number: TE0803 05EV-11A	Rev. 02
Date: 2018-05-21	Copyright: Trenz Electronic GmbH / TT	Page 14 of 26
Filename: B_GT.SchDoc		



Title: TE0803 - ZU_PS_POWER		
A4	Number: TE0803 05EV-11A	Rev. 02
Date: 2018-05-21	Copyright: Trenz Electronic GmbH / TT	Page 15 of 26
Filename: ZU_PS_POWER.SchDoc		



			Title: TE0803 - ZU_POWER	
			A4	Number: TE0803 05EV-11A
Date: 2018-05-21		Copyright: Trenz Electronic GmbH / TT		Page16 of 26
Filename: ZU_POWER.SchDoc				

1

2

3

4

A

A

B

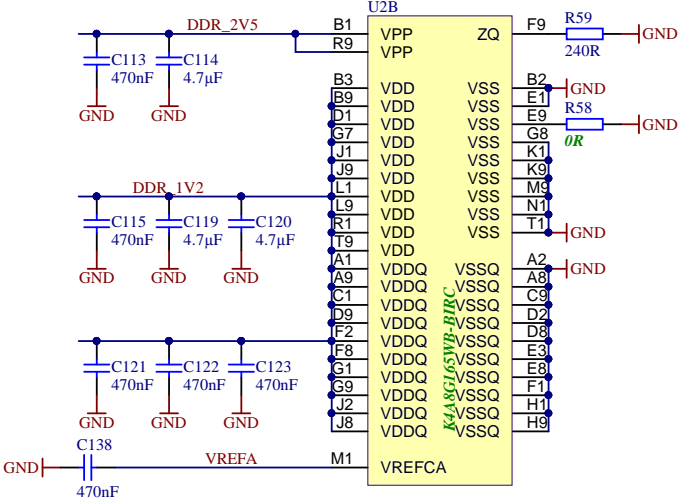
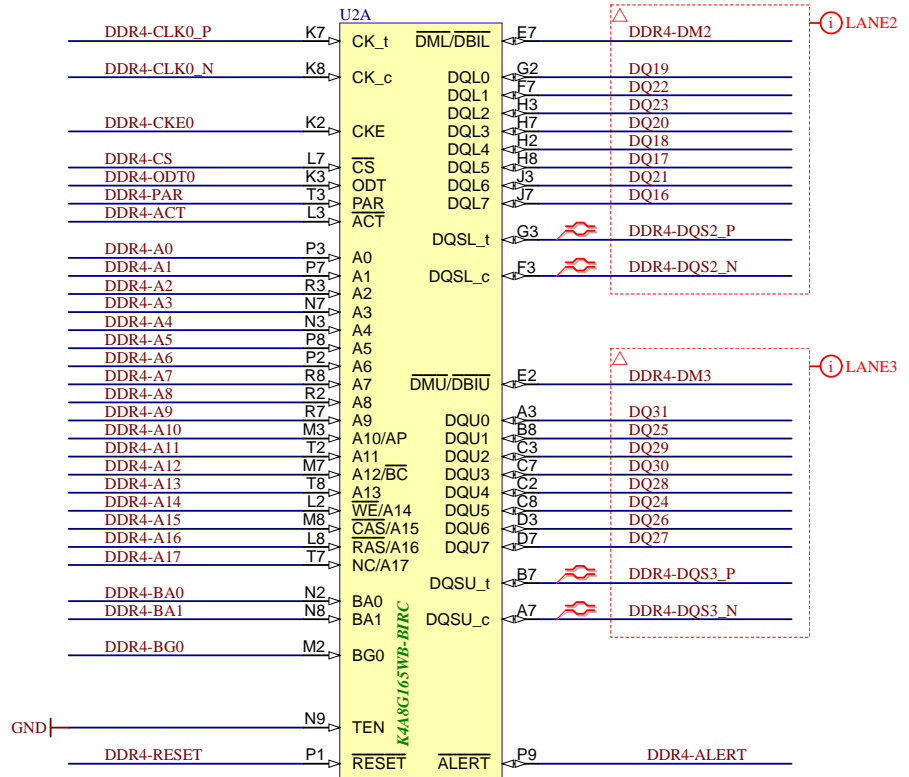
B

C

C

D

D



Title: TE0803 - DDR4_1_RAM		
A4	Number: TE0803 05EV-11A	Rev. 02
Date: 2018-05-21	Copyright: Trenz Electronic GmbH / TT	Page17 of 26
Filename: DDR4-RAM.SchDoc		

1

2

3

4

1

2

3

4

A

A

B

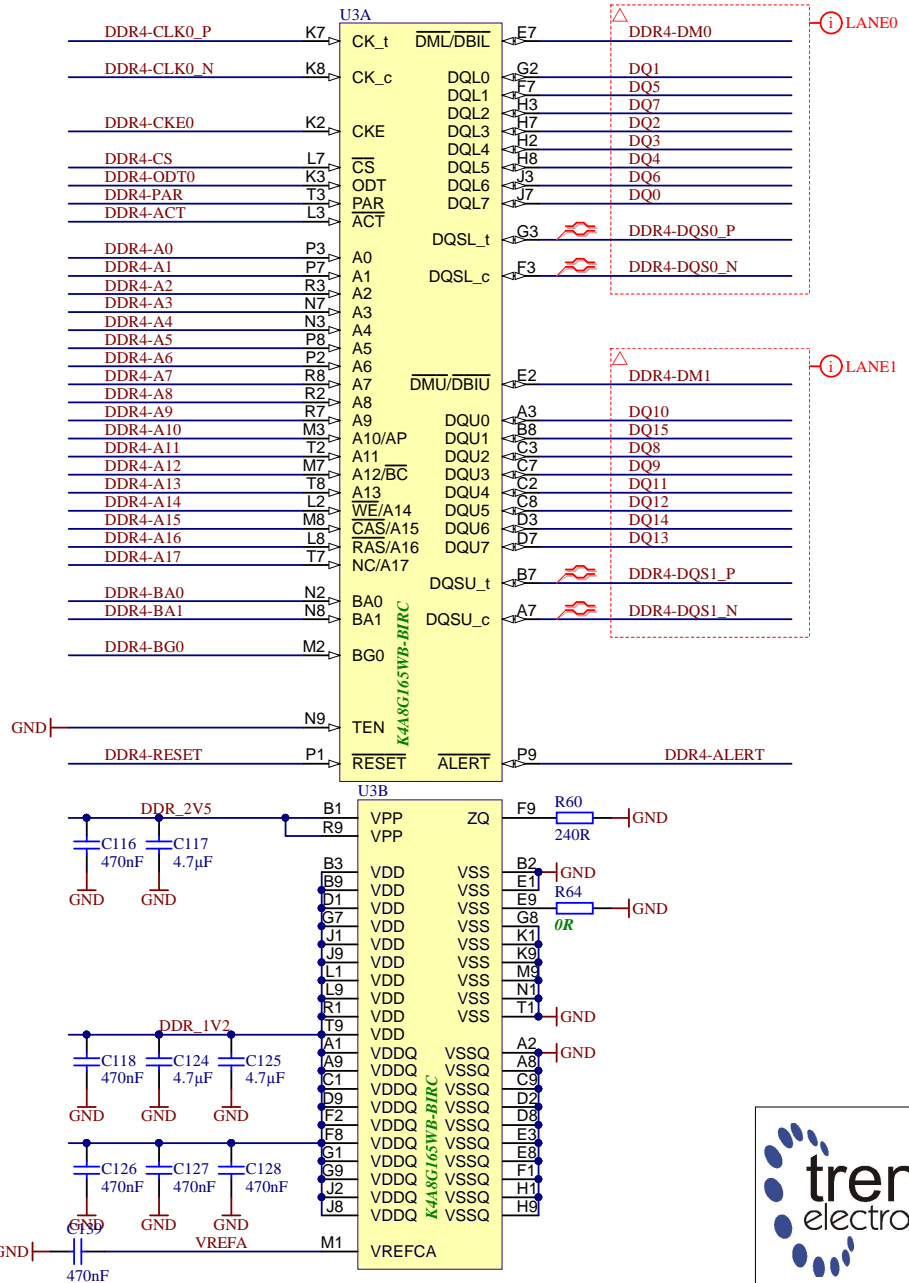
B

C

C

D

D



Title: TE0803 - DDR4_2_RAM		
A4	Number: TE0803 05EV-11A	Rev. 02
Date: 2018-05-21	Copyright: Trenz Electronic GmbH / TT	Page18 of 26
Filename: DDR4-RAM_2.SchDoc		

1

2

3

4

1

2

3

4

A

A

B

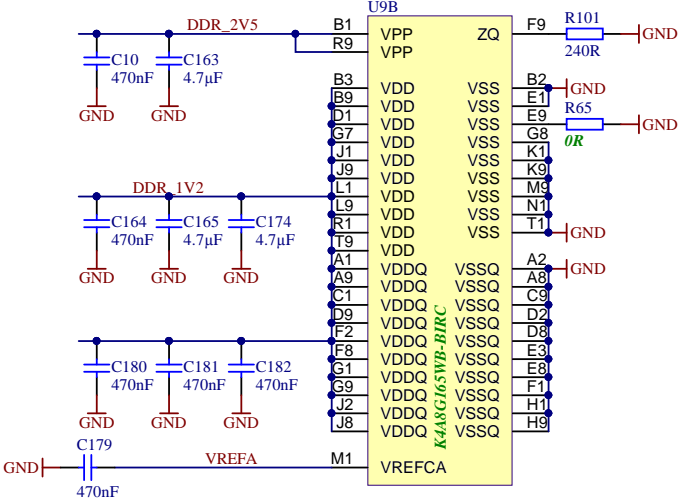
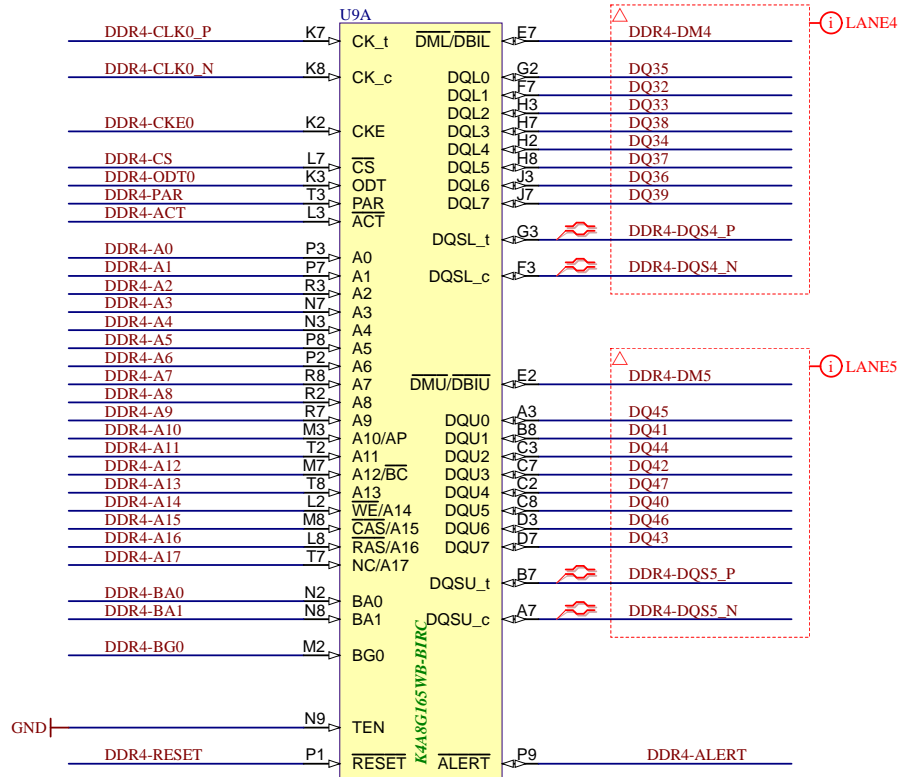
B

C

C

D

D



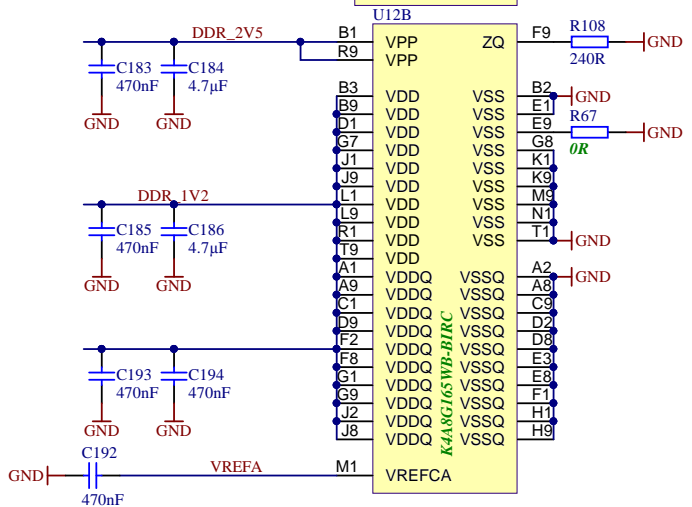
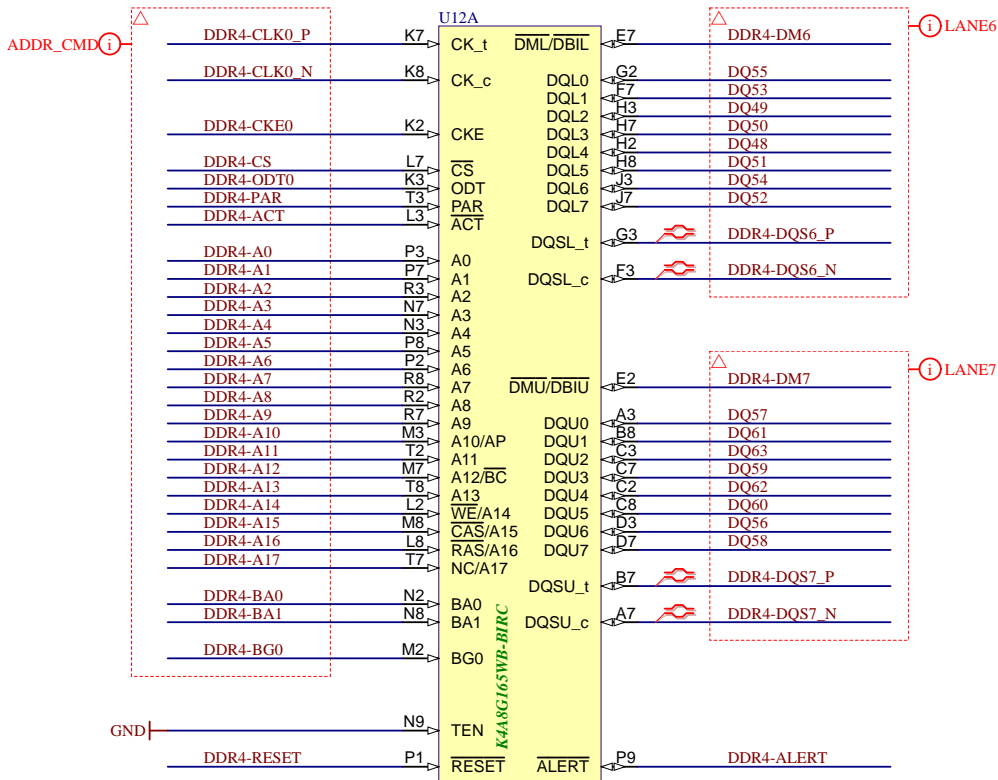
Title: TE0803 - DDR4_3_RAM		
A4	Number: TE0803 05EV-11A	Rev. 02
Date: 2018-05-21	Copyright: Trenz Electronic GmbH / TT	Page 19 of 26
Filename: DDR4-RAM_3.SchDoc		

1

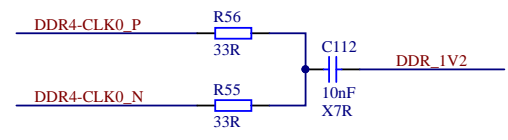
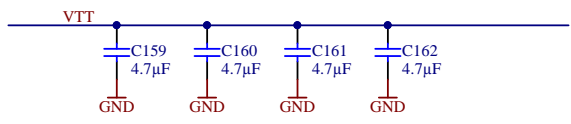
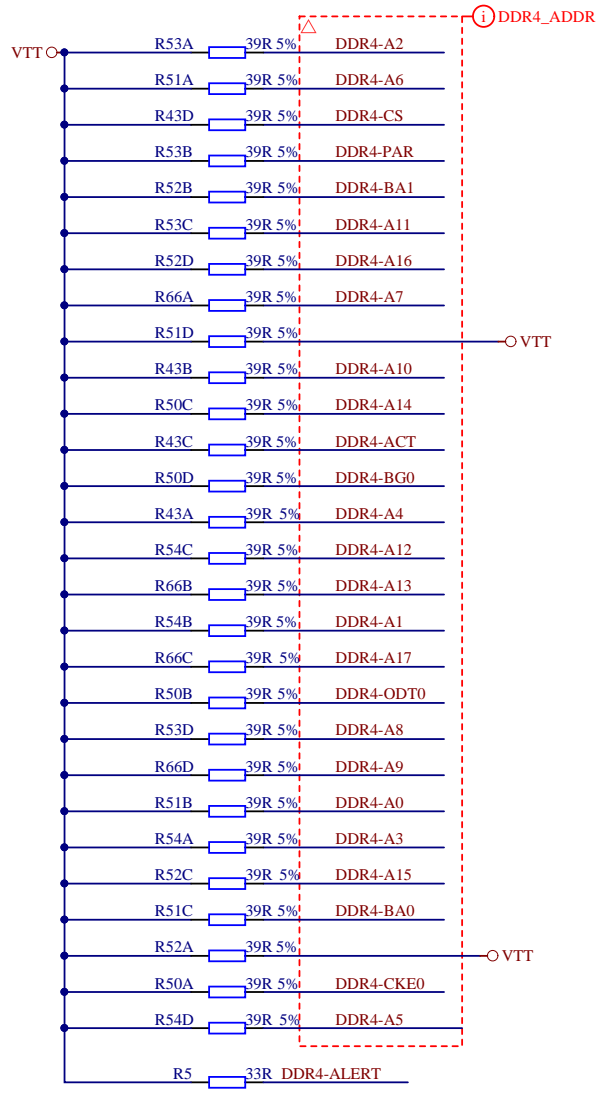
2

3

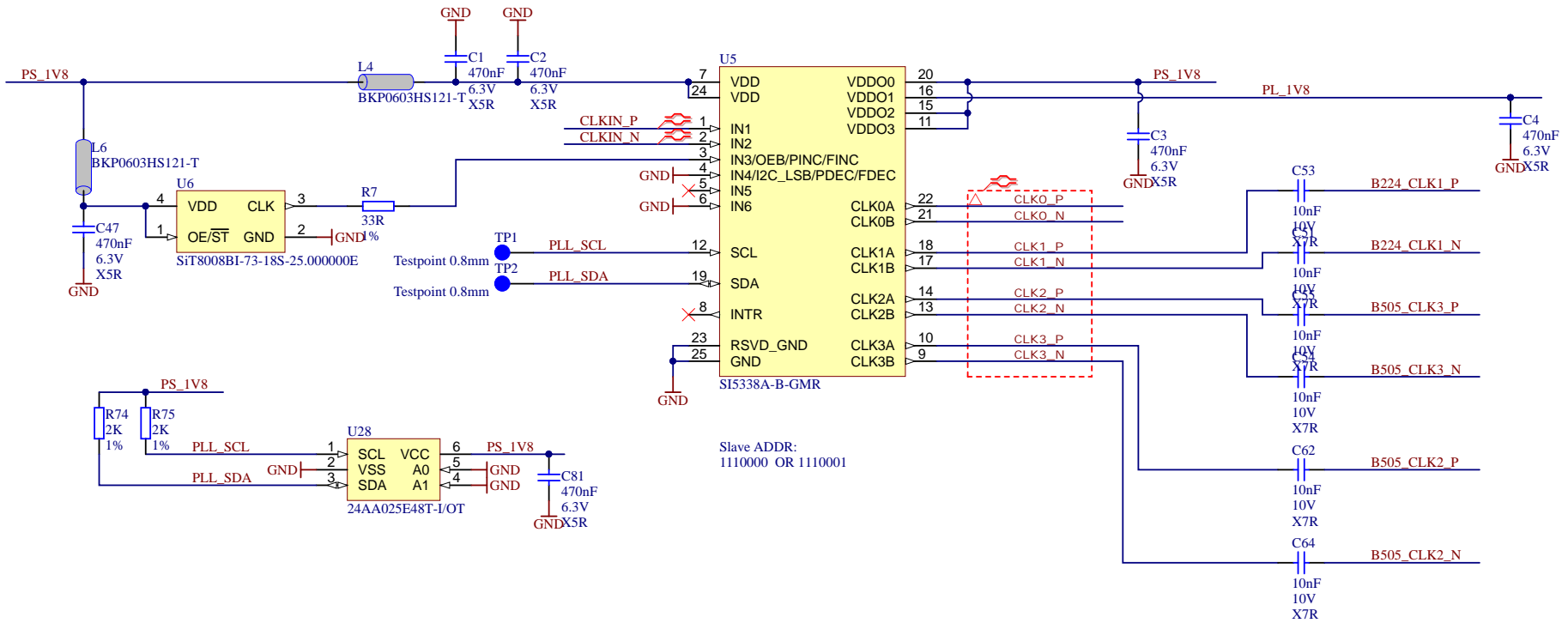
4



Title: TE0803 - DDR4_4_RAM		
A4	Number: TE0803 05EV-11A	Rev. 02
Date: 2018-05-21	Copyright: Trenz Electronic GmbH / TT	Page20 of 26
Filename: DDR4-RAM_4.SchDoc		



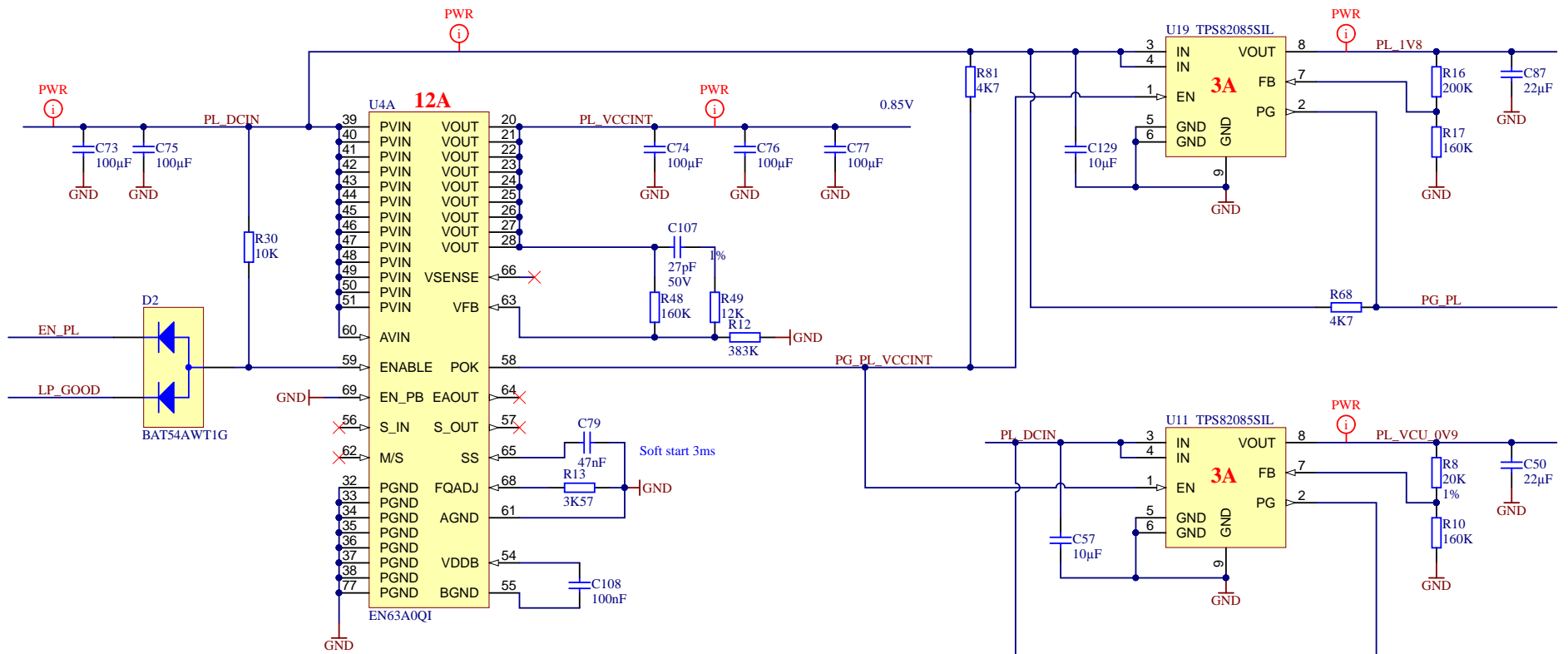
Title: TE0803 - DDR4_TERM		
A4	Number: TE0803 05EV-11A	Rev. 02
Date: 2018-05-21	Copyright: Trenz Electronic GmbH / TT	Page21 of 26
Filename: DDR4-TERM.SchDoc		



Slave ADDR:
1110000 OR 1110001




Title: TE0803 - CLOCK		
A4	Number: TE0803 05EV-11A	Rev. 02
Date: 2018-05-21	Copyright: Trenz Electronic GmbH / TT	Page22 of 26
Filename: Clock.SchDoc		

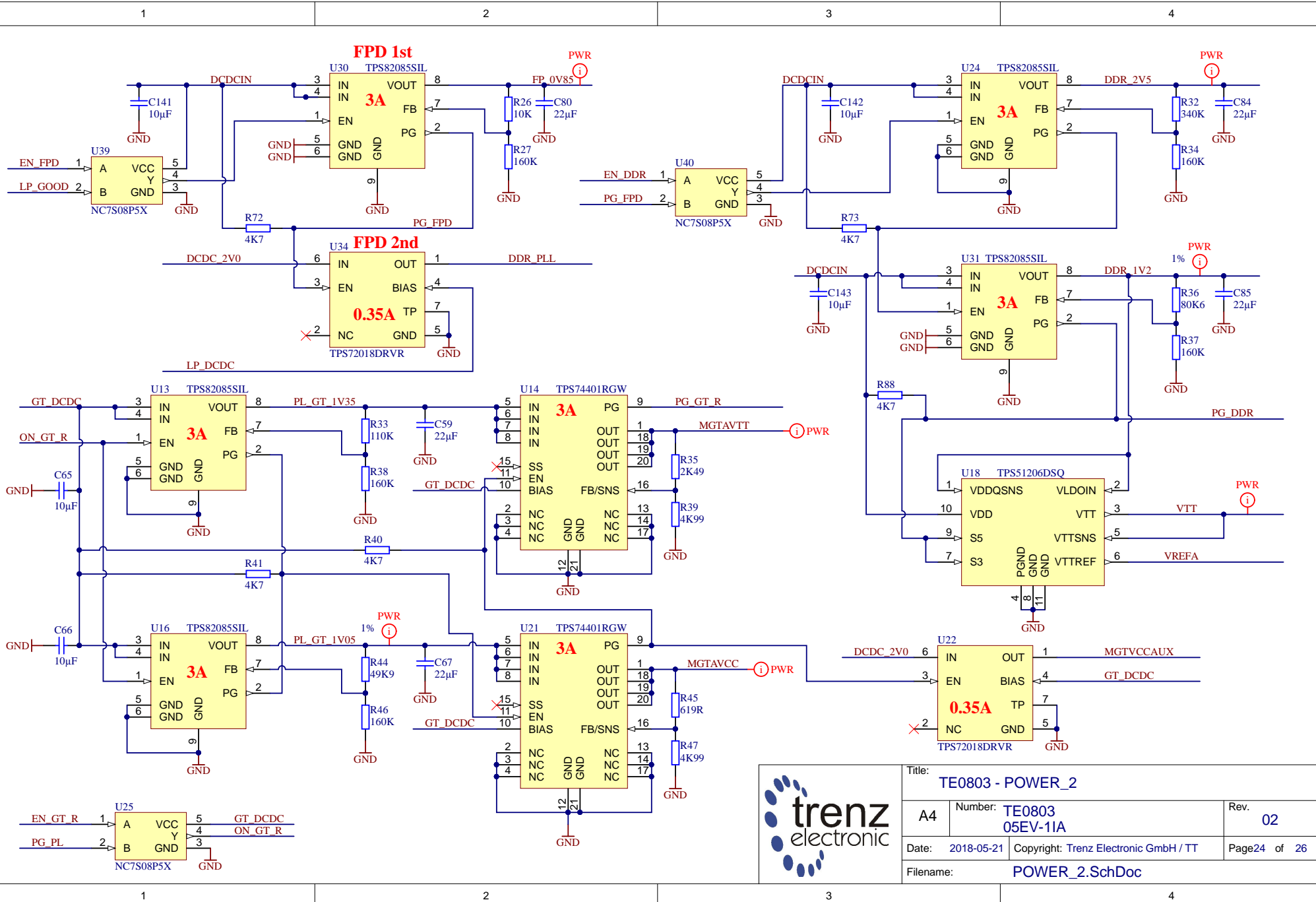


U4B
EN63A0QI

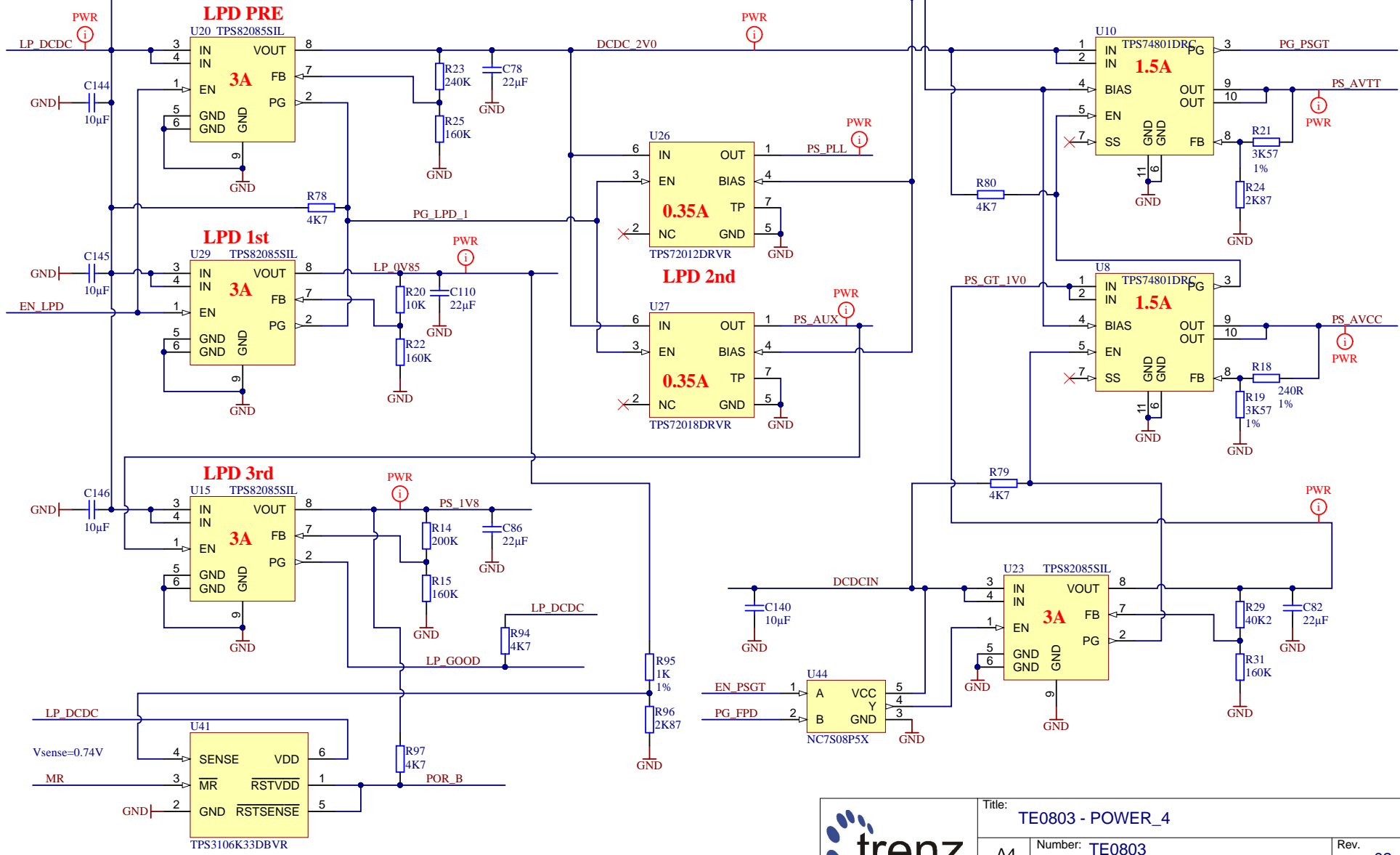
1	NC	NC	17
2	NC	NC	18
3	NC	NC	19
4	NC	NC	29
5	NC	NC	30
6	NC	NC(SW)	31
7	NC	NC(SW)	52
8	NC	NC	53
9	NC	NC	67
10	NC	NC(SW)	70
11	NC	NC(SW)	71
12	NC	NC(SW)	72
13	NC	NC	73
14	NC	NC	74
15	NC	NC	75
16	NC	NC	76




Title: TE0803 - POWER		
A4	Number: TE0803 05EV-11A	Rev. 02
Date: 2018-05-21	Copyright: Trenz Electronic GmbH / TT	Page23 of 26
Filename: POWER.SchDoc		



Title: TE0803 - POWER_2		
A4	Number: TE0803 05EV-11A	Rev. 02
Date: 2018-05-21	Copyright: Trenz Electronic GmbH / TT	Page24 of 26
Filename: POWER_2.SchDoc		



		Title: TE0803 - POWER_4	
		A4	Number: TE0803 05EV-11A
Date: 2018-05-21		Copyright: Trenz Electronic GmbH / TT	
Filename: POWER_4.SchDoc		Page 25 of 26	

A
B
C
D

A
B
C
D

1 2 3 4

1

2

3

4

CHANGES REV01a (20.11.2017):

1) VCU voltage set to 0.9V, R20 changed to 40K , PL_VCU_1V0 renamed to PL_VCU_0V9.

CHANGES REV02 (20.06.2018):

- 1) Added LDO to DDR_PLL
- 2) All differential pairs wath length matched with tollerance 0.1mm (excluding package delays)
- 3) Added MAC EEPROM U28
- 4) VPS_MGTRAVCC set to 0.85V
- 5) Added pull-up resistors R68,R69

A

A

B

B

C

C

D

D



Title: TE0803 - Changes list		
A4	Number: TE0803 05EV-11A	Rev. 02
Date: 2018-05-21	Copyright: Trenz Electronic GmbH	Page26 of 26
Filename: Revision_Changes.SchDoc		

1

2

3

4