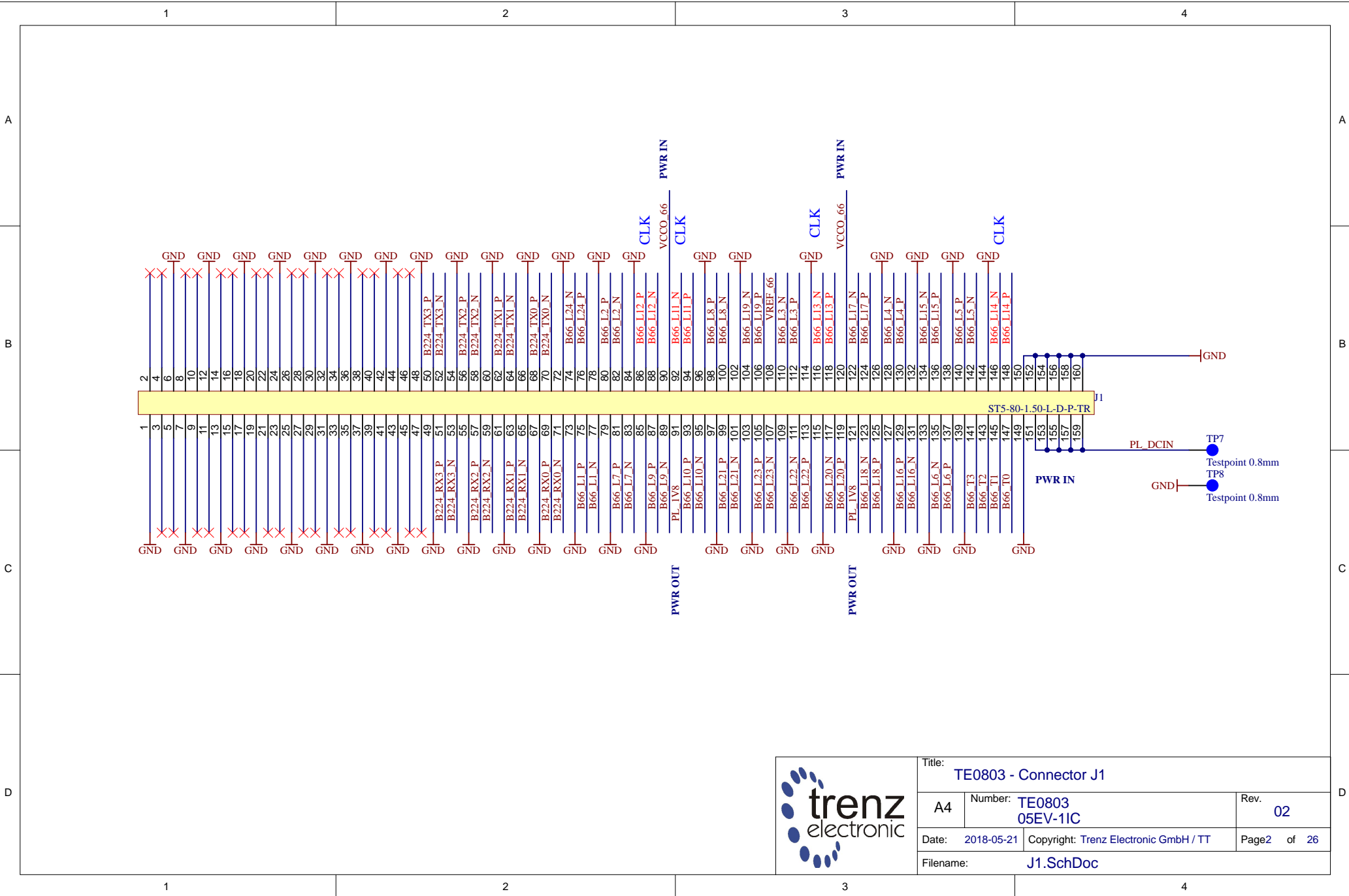


<p>1</p> <p>U_J1 J1.SchDoc</p> <p>U_J2 J2.SchDoc</p> <p>U_J3 J3.SchDoc</p> <p>U_J4 J4.SchDoc</p> <p>U_DDR4-TERM DDR4-TERM.SchDoc</p> <p>U_B64 B64.SchDoc</p> <p>U_B65 B65.SchDoc</p> <p>U_B66 B66.SchDoc</p> <p>U_B_GT B_GT.SchDoc</p>	<p>2</p> <p>U_B_PS_GT B_PS_GT.SchDoc</p> <p>U_PS_DDR PS_DDR.SchDoc</p> <p>U_B_MIO B_MIO.SchDoc</p> <p>U_B_HD B_HD.SchDoc</p> <p>U_Clock Clock.SchDoc</p> <p>U_CONFIG CONFIG.SchDoc</p> <p>U_DDR4-RAM DDR4-RAM.SchDoc</p> <p>U_DDR4-RAM_2 DDR4-RAM_2.SchDoc</p> <p>U_DDR4-RAM_3 DDR4-RAM_3.SchDoc</p> <p>U_DDR4-RAM_4 DDR4-RAM_4.SchDoc</p>	<p>3</p> <p>U_DDR4-TERM DDR4-TERM.SchDoc</p> <p>U_ZU_POWER ZU_POWER.SchDoc</p> <p>U_ZU_PS_POWER ZU_PS_POWER.SchDoc</p> <p>U_POWER POWER.SchDoc</p> <p>U_POWER_2 POWER_2.SchDoc</p> <p>U_POWER_4 POWER_4.SchDoc</p> <p>U_REV_CH Revision_Changes.SchDoc</p>	<p>4</p>									
<p>A</p>												
<p>B</p>		<p>Mount.Hole 3.2mm für Unterlegscheibe</p> <p>Mount.Hole 3.2mm für Unterlegscheibe</p>	<p>Mount.Hole 3.2mm für Unterlegscheibe</p> <p>Mount.Hole 3.2mm für Unterlegscheibe</p>									
<p>C</p> <p>PM1</p> <p>PM2</p> <p>FIDU-DOT - mini PM3</p> <p>FIDU-DOT - mini PM4</p> <p>FIDU-DOT - mini PM5</p> <p>FIDU-DOT - mini PM6</p> <p>LOGO1 TE Logo PRINT Layer LOGO PRINT</p> <p>Serial Serialnumber 6,3 x 6,3mm</p> <p>S/N OR Serialnumber</p>	<p>2</p>	<p>3</p>	<p>D</p> <p>Title: TE0803</p> <table border="1"> <tr> <td>A4</td> <td>Number: TE0803 05EV-11C</td> <td>Rev. 02</td> </tr> <tr> <td>Date: 2018-05-21</td> <td>Copyright: Trenz Electronic GmbH / TT</td> <td>Page1 of 26</td> </tr> <tr> <td colspan="3">Filename: TE0803.SchDoc</td> </tr> </table>	A4	Number: TE0803 05EV-11C	Rev. 02	Date: 2018-05-21	Copyright: Trenz Electronic GmbH / TT	Page1 of 26	Filename: TE0803.SchDoc		
A4	Number: TE0803 05EV-11C	Rev. 02										
Date: 2018-05-21	Copyright: Trenz Electronic GmbH / TT	Page1 of 26										
Filename: TE0803.SchDoc												



Title: TE0803 - Connector J1		
A4	Number: TE0803 05EV-11C	Rev. 02
Date: 2018-05-21	Copyright: Trenz Electronic GmbH / TT	Page2 of 26
Filename: J1.SchDoc		

1

2

3

4

A

A

B

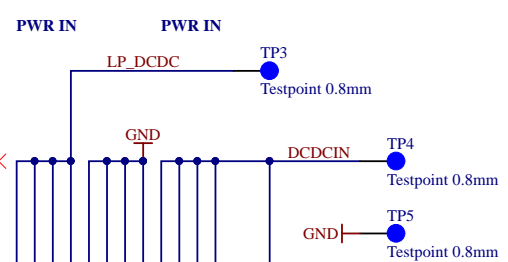
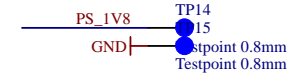
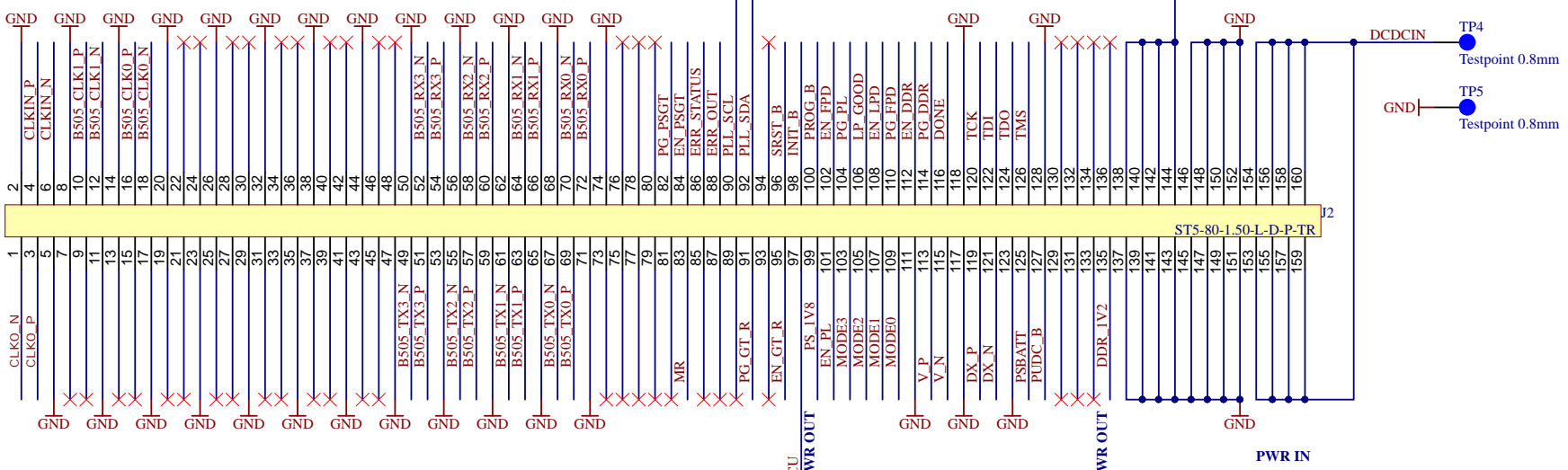
B

C

C

D

D



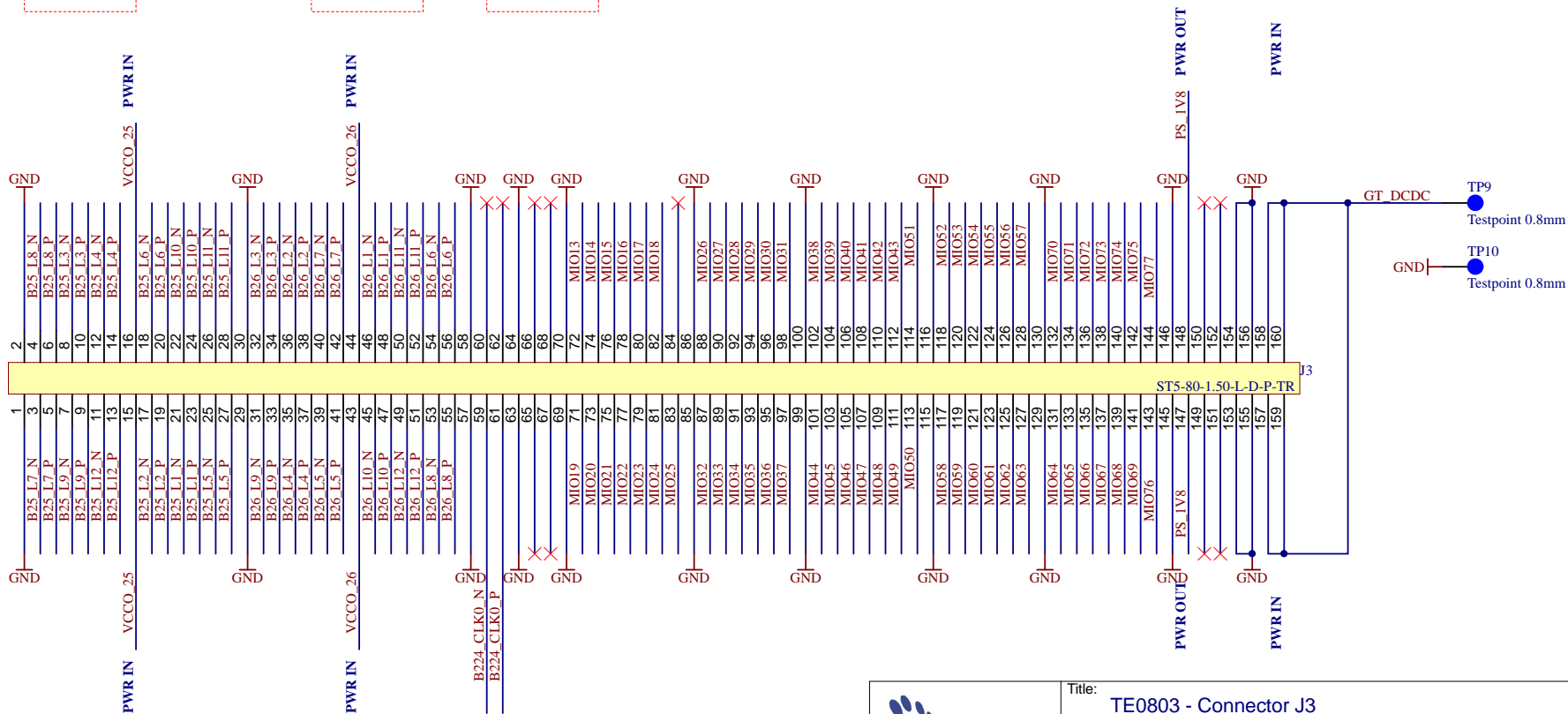
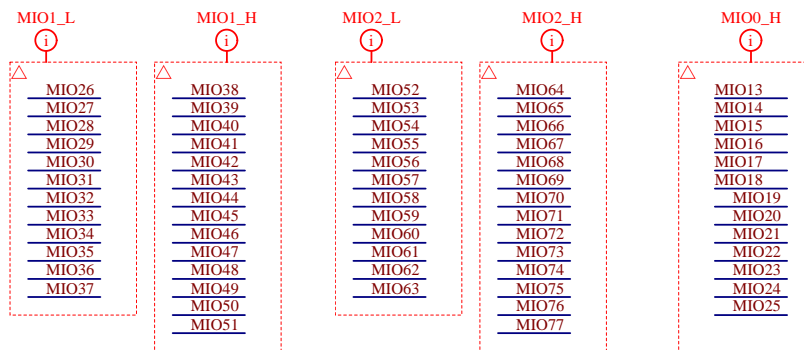
	Title: TE0803 - Connector J2	
	A4	Number: TE0803 05EV-11C
	Date: 2018-05-21	Copyright: Trenz Electronic GmbH / TT
	Rev. 02	Page3 of 26
Filename: J2.SchDoc		

1

2

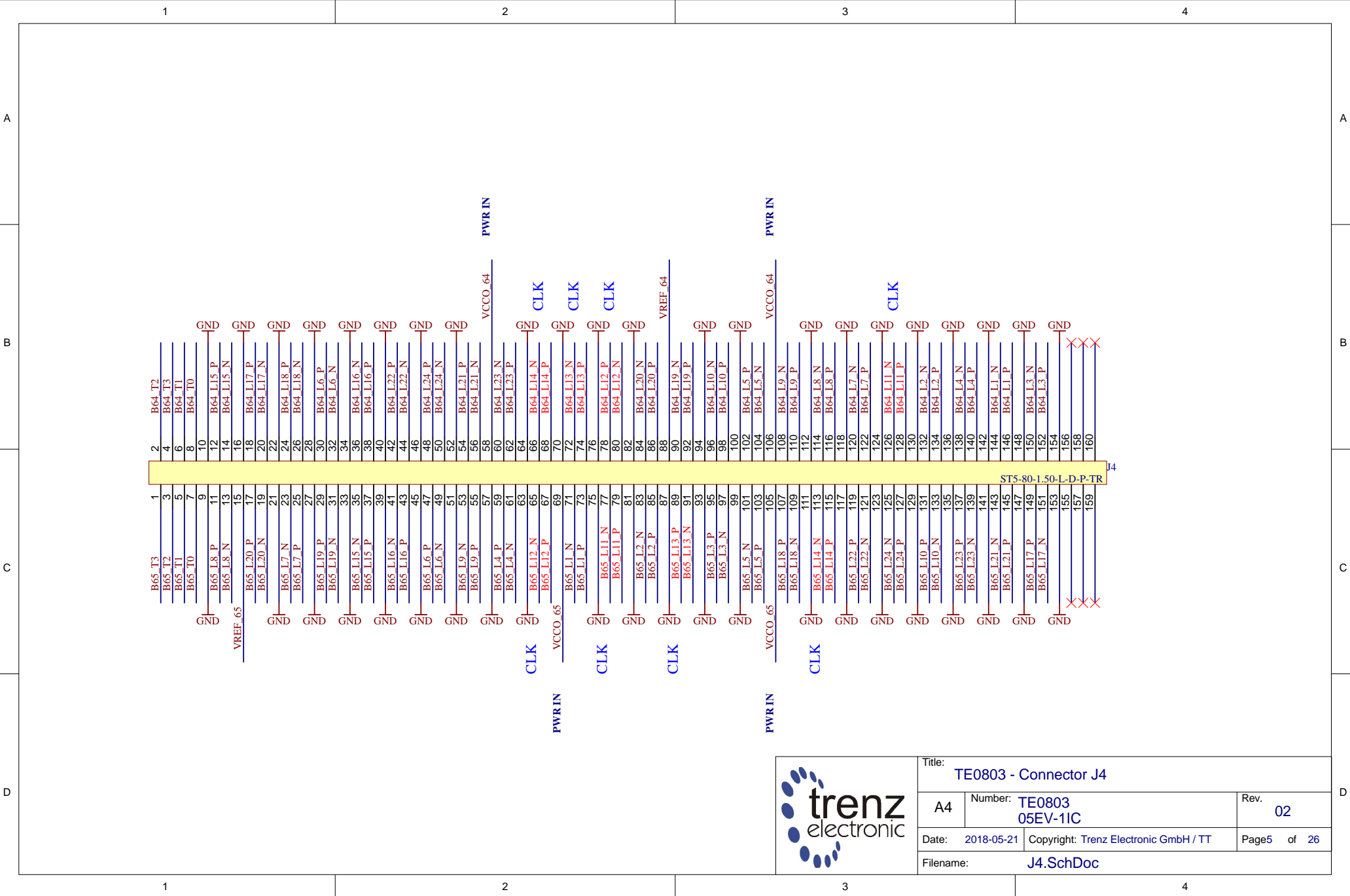
3

4

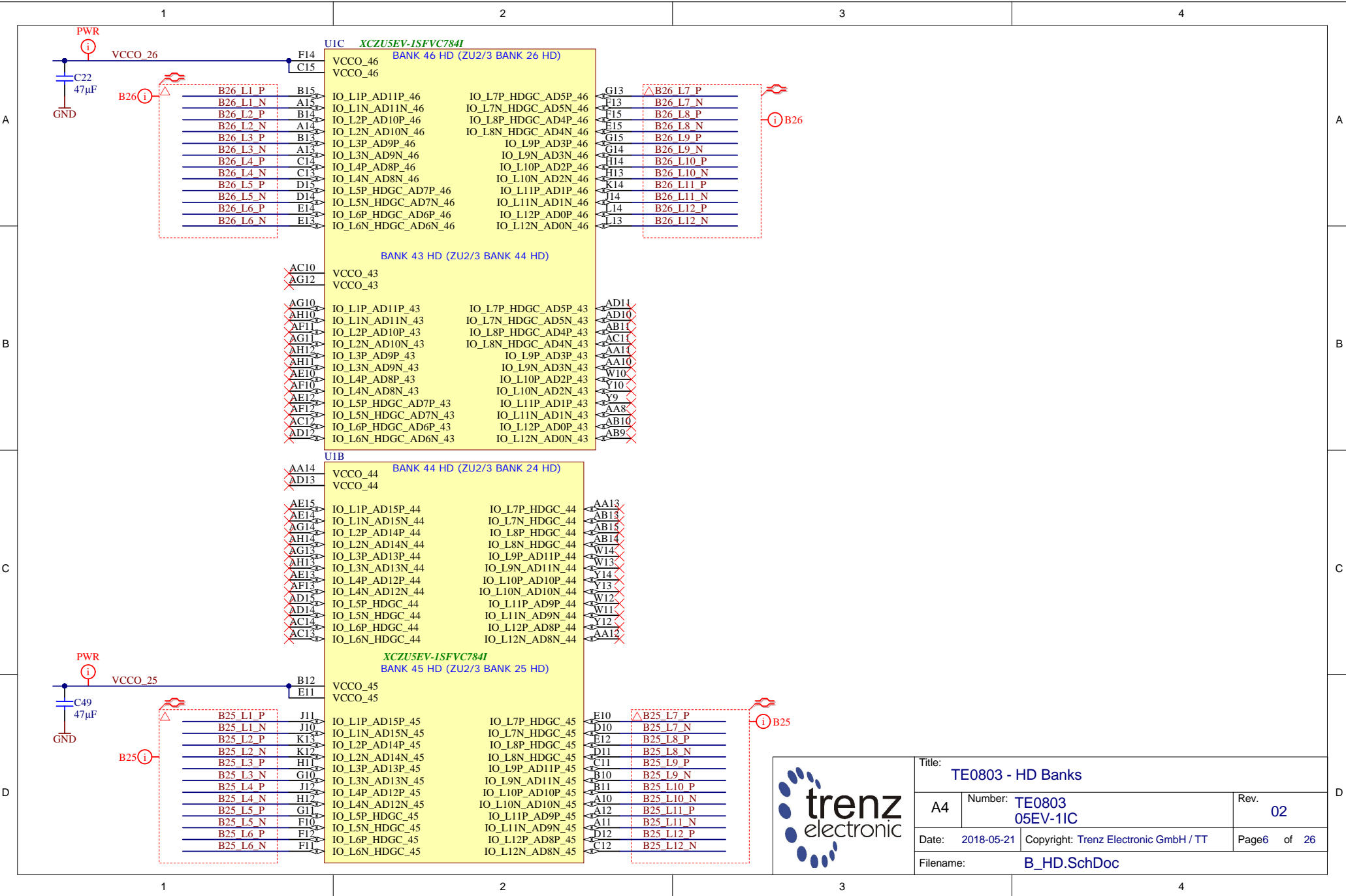


		Title: TE0803 - Connector J3	
		A4	Number: TE0803 05EV-11C
Date: 2018-05-21	Copyright: Trenz Electronic GmbH / TT	Rev. 02	Page4 of 26
Filename: J3.SchDoc			





Title: TE0803 - Connector J4		
A4	Number: TE0803 05EV-11C	Rev. 02
Date: 2018-05-21	Copyright: Trenz Electronic GmbH / TT	Page5 of 26
Filename: J4.SchDoc		



**UIC XCZUSEV-1SFVC784I**  
**BANK 46 HD (ZU2/3 BANK 26 HD)**

VCCO_46	F14	VCCO_46	B15	IO_L1P_AD11P_46	IO_L7P_HDGC_AD5P_46	G13	B26 L7 P
VCCO_46	C15	VCCO_46	A15	IO_L1N_AD11N_46	IO_L7N_HDGC_AD5N_46	F13	B26 L7 N
			B14	IO_L2P_AD10P_46	IO_L8P_HDGC_AD4P_46	F15	B26 L8 P
			A14	IO_L2N_AD10N_46	IO_L8N_HDGC_AD4N_46	F15	B26 L8 N
			B13	IO_L3P_AD9P_46	IO_L9P_AD3P_46	G15	B26 L9 P
			A13	IO_L3N_AD9N_46	IO_L9N_AD3N_46	G14	B26 L9 N
			C14	IO_L4P_AD8P_46	IO_L10P_AD2P_46	H14	B26 L10 P
			C13	IO_L4N_AD8N_46	IO_L10N_AD2N_46	H13	B26 L10 N
			D15	IO_L5P_HDGC_AD7P_46	IO_L11P_AD1P_46	K14	B26 L11 P
			D14	IO_L5N_HDGC_AD7N_46	IO_L11N_AD1N_46	J14	B26 L11 N
			E14	IO_L6P_HDGC_AD6P_46	IO_L12P_AD0P_46	L14	B26 L12 P
			E13	IO_L6N_HDGC_AD6N_46	IO_L12N_AD0N_46	L13	B26 L12 N

**BANK 43 HD (ZU2/3 BANK 44 HD)**

VCCO_43	AC10	VCCO_43	AG10	IO_L1P_AD11P_43	IO_L7P_HDGC_AD5P_43	AD11	
VCCO_43	AG12	VCCO_43	AH10	IO_L1N_AD11N_43	IO_L7N_HDGC_AD5N_43	AD10	
			AF11	IO_L2P_AD10P_43	IO_L8P_HDGC_AD4P_43	AB11	
			AG11	IO_L2N_AD10N_43	IO_L8N_HDGC_AD4N_43	AC11	
			AH12	IO_L3P_AD9P_43	IO_L9P_AD3P_43	AA11	
			AH11	IO_L3N_AD9N_43	IO_L9N_AD3N_43	AA10	
			AE10	IO_L4P_AD8P_43	IO_L10P_AD2P_43	W10	
			AF10	IO_L4N_AD8N_43	IO_L10N_AD2N_43	Y10	
			AE12	IO_L5P_HDGC_AD7P_43	IO_L11P_AD1P_43	Y9	
			AF12	IO_L5N_HDGC_AD7N_43	IO_L11N_AD1N_43	AA8	
			AC12	IO_L6P_HDGC_AD6P_43	IO_L12P_AD0P_43	AB10	
			AD12	IO_L6N_HDGC_AD6N_43	IO_L12N_AD0N_43	AB9	

**UIB**  
**BANK 44 HD (ZU2/3 BANK 24 HD)**

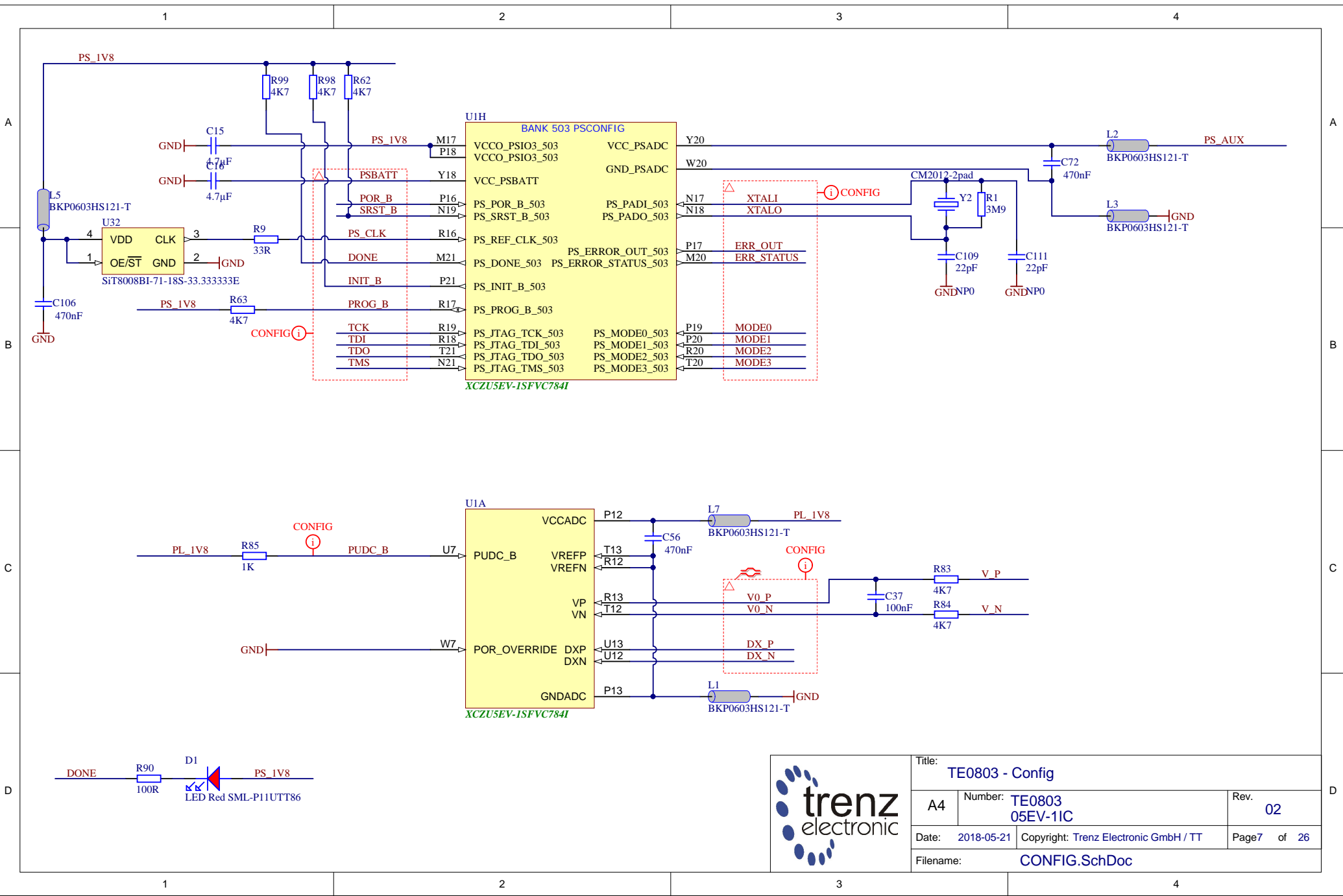
VCCO_44	AA14	VCCO_44	AE15	IO_L1P_AD15P_44	IO_L7P_HDGC_44	AA13	
VCCO_44	AD13	VCCO_44	AE14	IO_L1N_AD15N_44	IO_L7N_HDGC_44	AB13	
			AG14	IO_L2P_AD14P_44	IO_L8P_HDGC_44	AB15	
			AH14	IO_L2N_AD14N_44	IO_L8N_HDGC_44	AB14	
			AG13	IO_L3P_AD13P_44	IO_L9P_AD11P_44	W14	
			AH13	IO_L3N_AD13N_44	IO_L9N_AD11N_44	W13	
			AE13	IO_L4P_AD12P_44	IO_L10P_AD10P_44	Y14	
			AF13	IO_L4N_AD12N_44	IO_L10N_AD10N_44	Y13	
			AD15	IO_L5P_HDGC_44	IO_L11P_AD9P_44	W12	
			AD14	IO_L5N_HDGC_44	IO_L11N_AD9N_44	W11	
			AC14	IO_L6P_HDGC_44	IO_L12P_AD8P_44	Y12	
			AC13	IO_L6N_HDGC_44	IO_L12N_AD8N_44	AA12	

**XCZUSEV-1SFVC784I**  
**BANK 45 HD (ZU2/3 BANK 25 HD)**

VCCO_45	B12	VCCO_45	J11	IO_L1P_AD15P_45	IO_L7P_HDGC_45	E10	B25 L7 P
VCCO_45	E11	VCCO_45	J10	IO_L1N_AD15N_45	IO_L7N_HDGC_45	D10	B25 L7 N
			K13	IO_L2P_AD14P_45	IO_L8P_HDGC_45	E12	B25 L8 P
			K12	IO_L2N_AD14N_45	IO_L8N_HDGC_45	D11	B25 L8 N
			H11	IO_L3P_AD13P_45	IO_L9P_AD11P_45	C11	B25 L9 P
			G10	IO_L3N_AD13N_45	IO_L9N_AD11N_45	B10	B25 L9 N
			J12	IO_L4P_AD12P_45	IO_L10P_AD10P_45	B11	B25 L10 P
			H12	IO_L4N_AD12N_45	IO_L10N_AD10N_45	A10	B25 L10 N
			G11	IO_L5P_HDGC_45	IO_L11P_AD9P_45	A12	B25 L11 P
			F10	IO_L5N_HDGC_45	IO_L11N_AD9N_45	A11	B25 L11 N
			F12	IO_L6P_HDGC_45	IO_L12P_AD8P_45	D12	B25 L12 P
			F11	IO_L6N_HDGC_45	IO_L12N_AD8N_45	C12	B25 L12 N



Title: TE0803 - HD Banks		
A4	Number: TE0803 05EV-11C	Rev. 02
Date: 2018-05-21	Copyright: Trenz Electronic GmbH / TT	Page6 of 26
Filename: B_HD.SchDoc		



Title: TE0803 - Config		
A4	Number: TE0803 05EV-11C	Rev. 02
Date: 2018-05-21	Copyright: Trenz Electronic GmbH / TT	Page7 of 26
Filename: CONFIG.SchDoc		

1

2

3

4

A

A

B

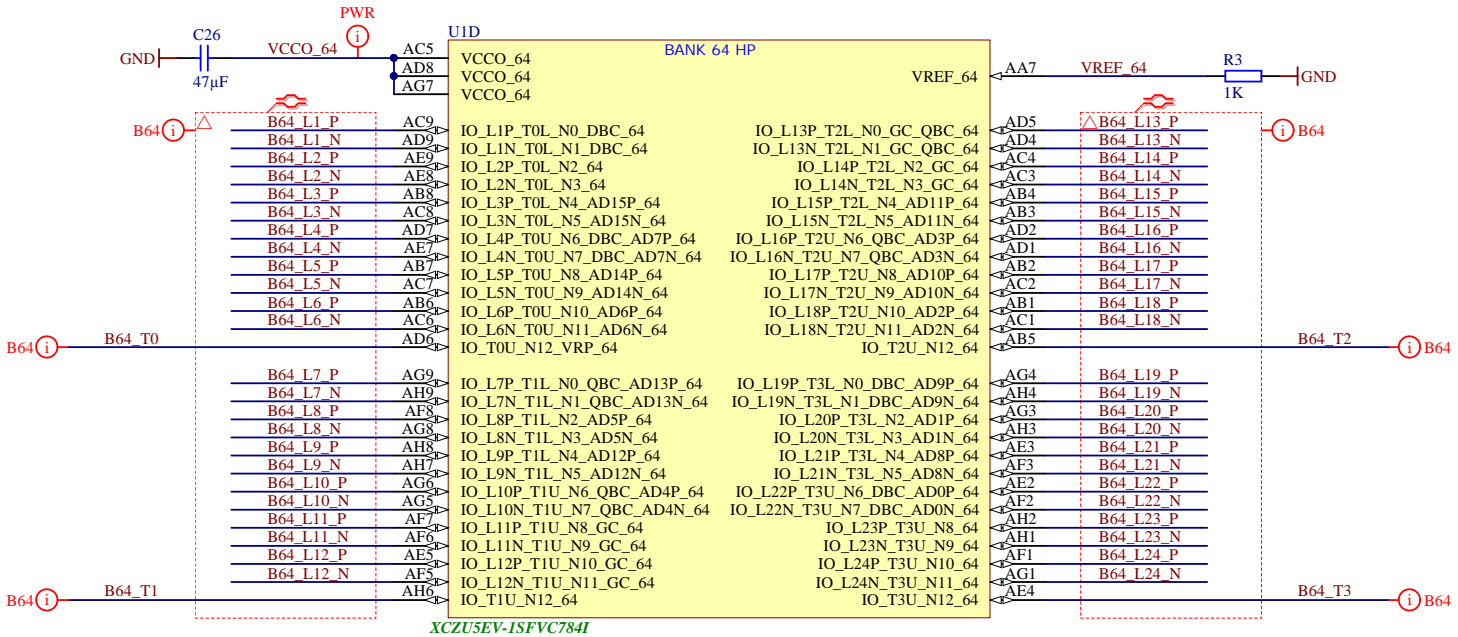
B

C

C

D

D



	Title: TE0803 - B64	
	A4	Number: TE0803 05EV-11C
	Date: 2018-05-21	Copyright: Trenz Electronic GmbH / TT
	Rev. 02	Page8 of 26
Filename: B64.SchDoc		

1

2

3

4

1

2

3

4

A

A

B

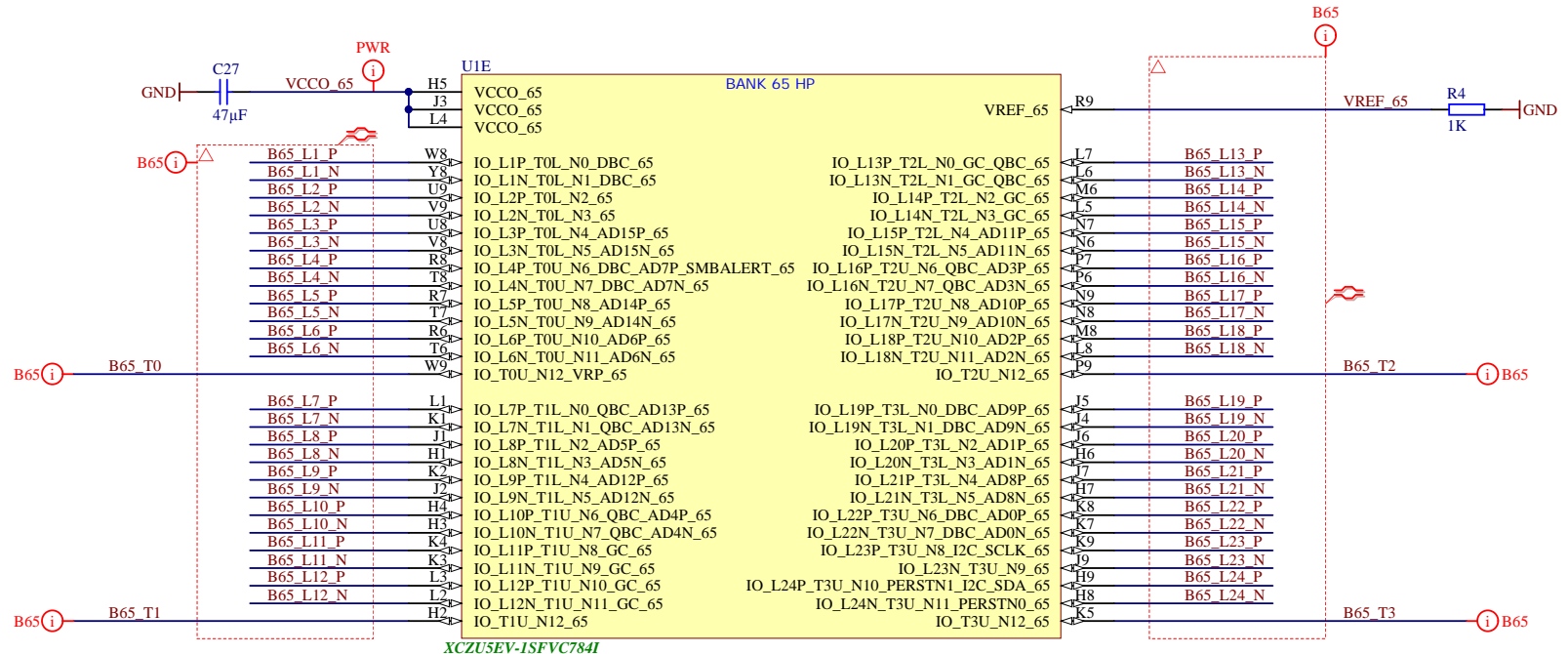
B

C

C

D

D



	Title: TE0803 - B65	
	A4	Number: TE0803 05EV-11C
	Date: 2018-05-21	Copyright: Trenz Electronic GmbH / TT
	Filename: B65.SchDoc	
	Rev. 02	Page9 of 26

1

2

3

4

1

2

3

4

A

A

B

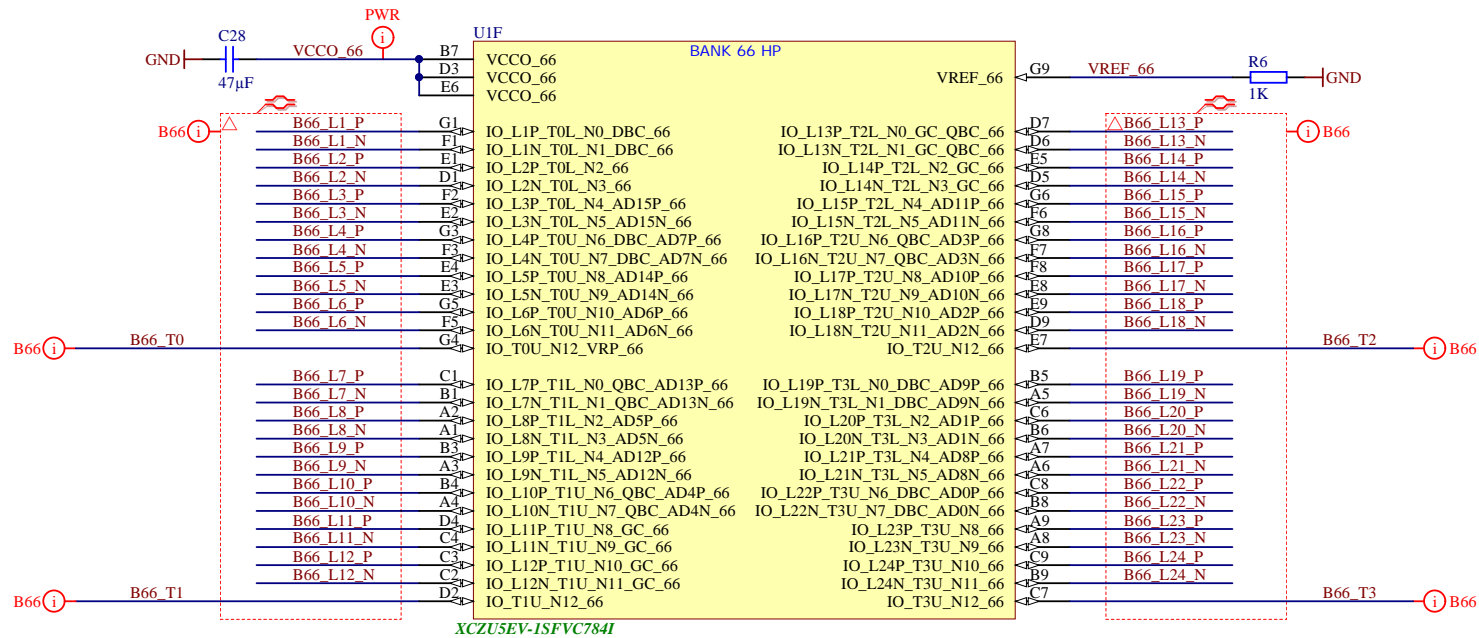
B

C

C

D

D



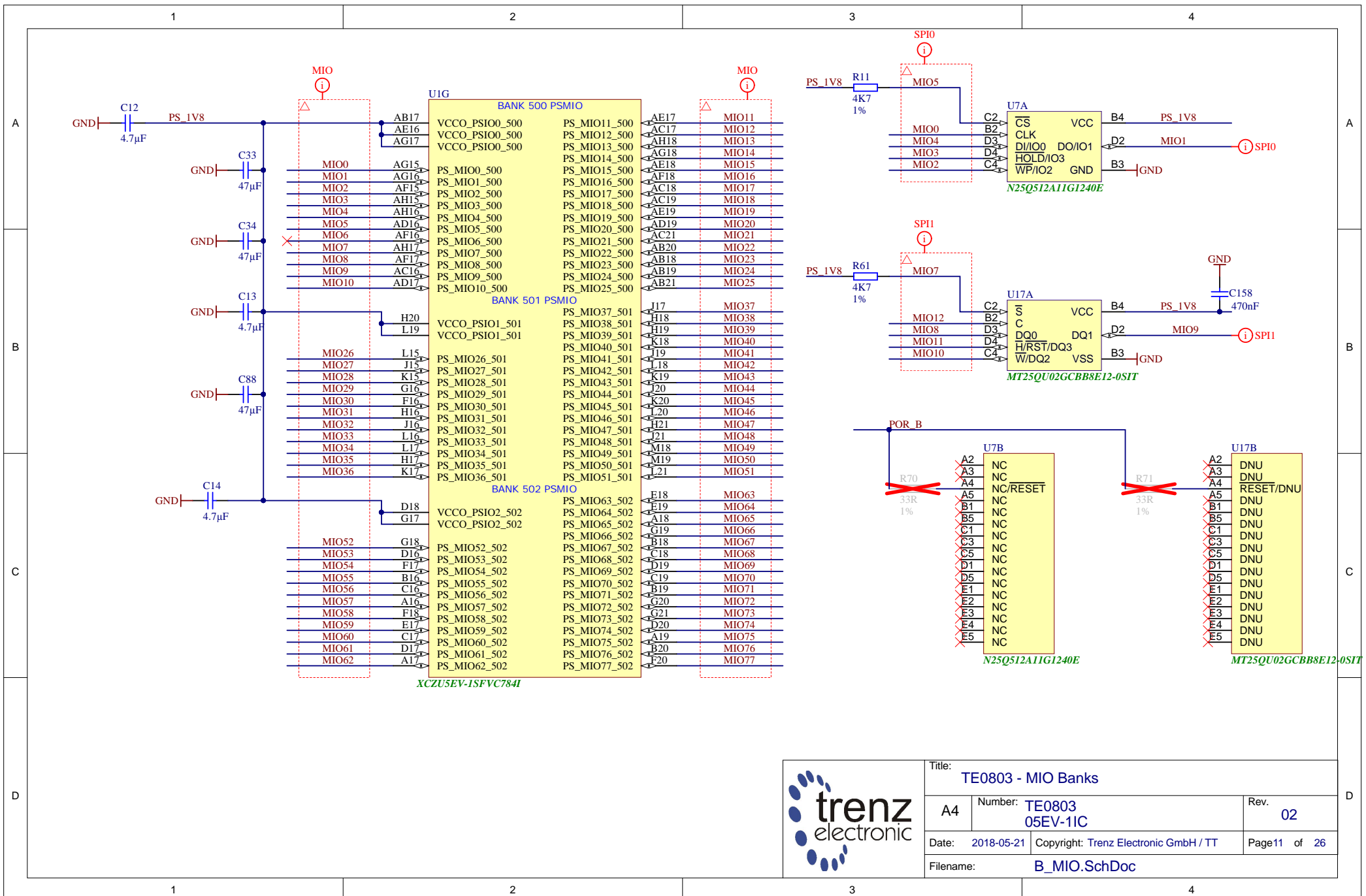
Title: TE0803 - B66		
A4	Number: TE0803 05EV-11C	Rev. 02
Date: 2018-05-21	Copyright: Trenz Electronic GmbH / TT	Page10 of 26
Filename: B66.SchDoc		

1

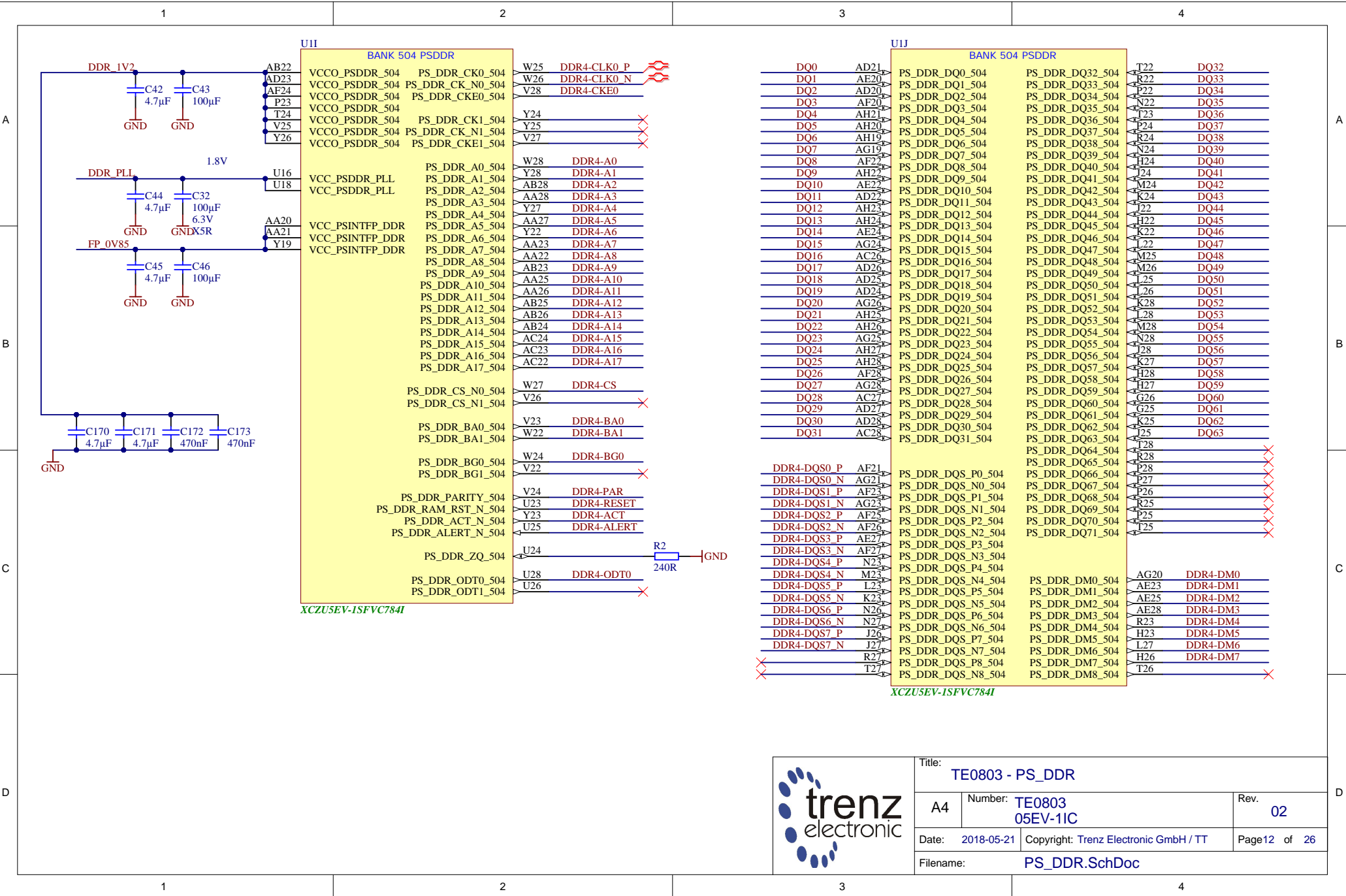
2

3

4

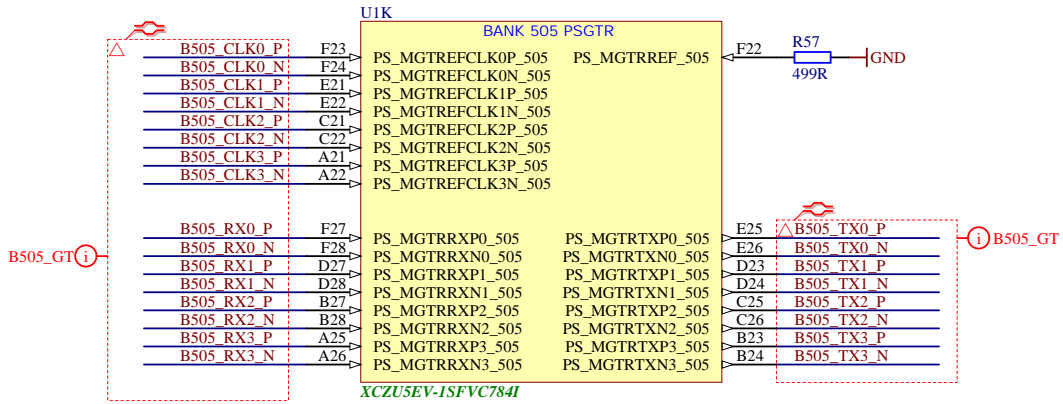


Title: TE0803 - MIO Banks		
A4	Number: TE0803 05EV-11C	Rev. 02
Date: 2018-05-21	Copyright: Trenz Electronic GmbH / TT	Page 11 of 26
Filename: B_MIO.SchDoc		

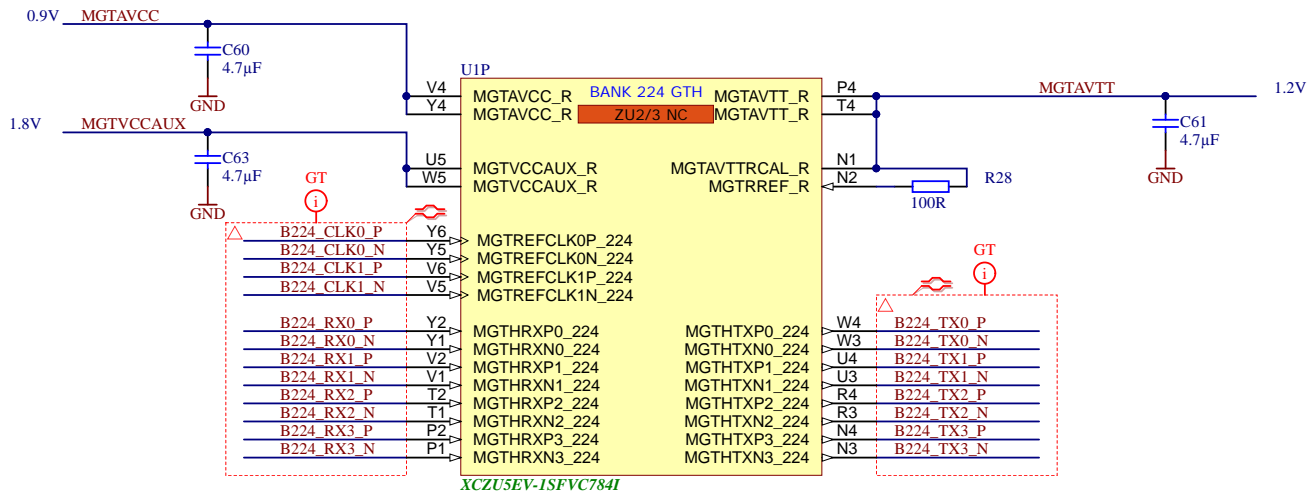


Title: TE0803 - PS_DDR			
A4	Number: TE0803 05EV-11C	Rev. 02	
Date: 2018-05-21	Copyright: Trenz Electronic GmbH / TT	Page 12 of 26	
Filename: PS_DDR.SchDoc			




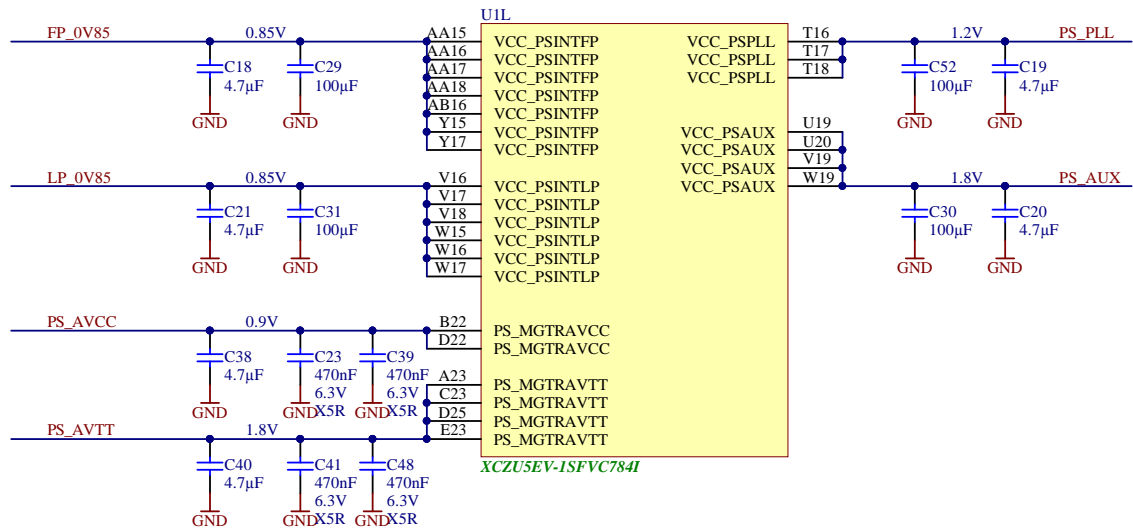


	Title: TE0803 - PS_GT		
	A4	Number: TE0803 05EV-11C	Rev. 02
	Date: 2018-05-21	Copyright: Trenz Electronic GmbH / TT	Page13 of 26
	Filename: B_PS_GT.SchDoc		



XZU5EV-1SFVC784I

	Title: TE0803 - B224GTH		
	A4	Number: TE0803 05EV-11C	Rev. 02
	Date: 2018-05-21	Copyright: Trenz Electronic GmbH / TT	Page 14 of 26
	Filename: B_GT.SchDoc		



Title: TE0803 - ZU_PS_POWER		
A4	Number: TE0803 05EV-11C	Rev. 02
Date: 2018-05-21	Copyright: Trenz Electronic GmbH / TT	Page15 of 26
Filename: ZU_PS_POWER.SchDoc		

1

2

3

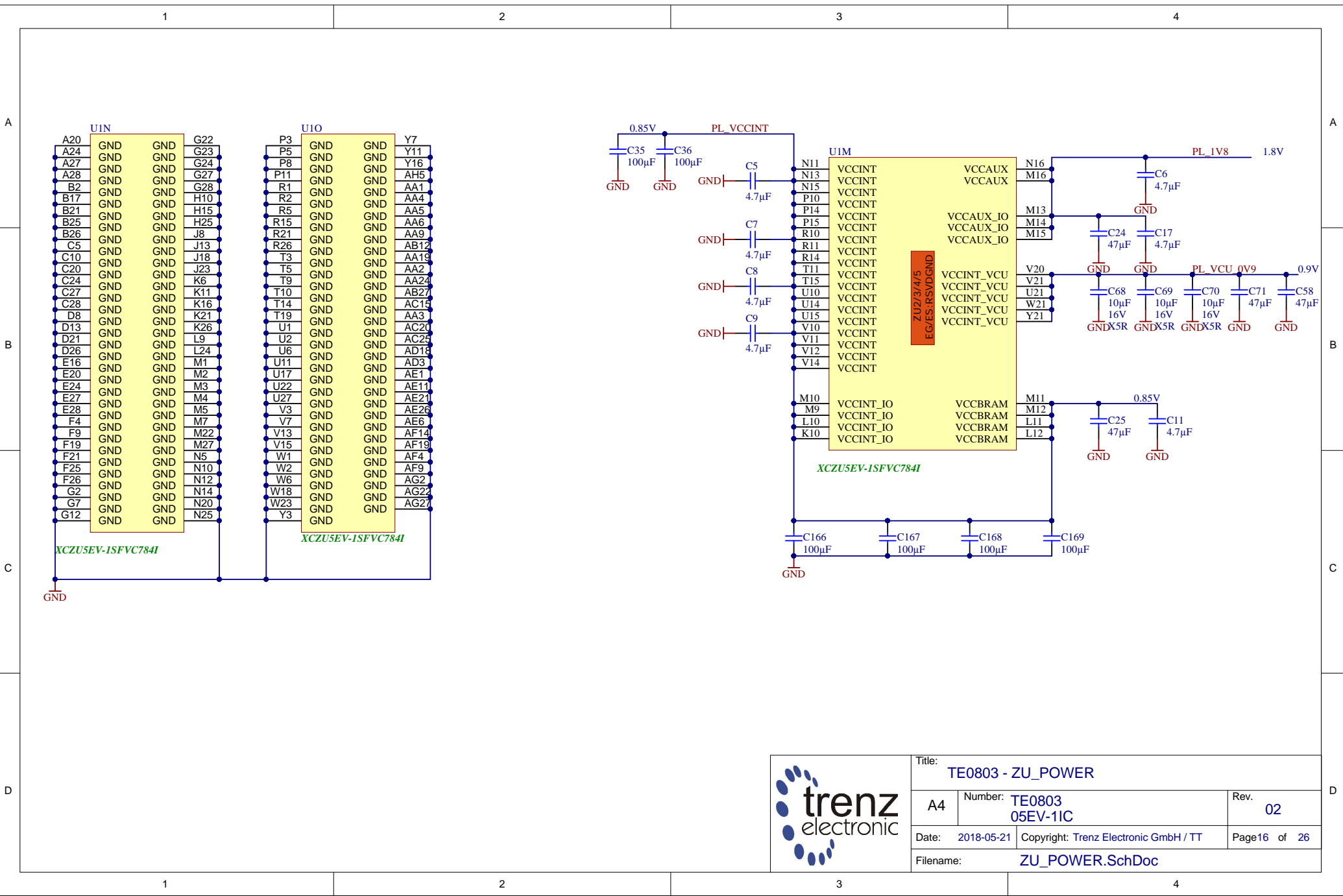
4


1

2

3

4



			Title: TE0803 - ZU_POWER	
			A4	Number: TE0803 05EV-1IC
Date: 2018-05-21		Copyright: Trenz Electronic GmbH / TT		Page 16 of 26
Filename: ZU_POWER.SchDoc				

1

2

3

4

A

A

B

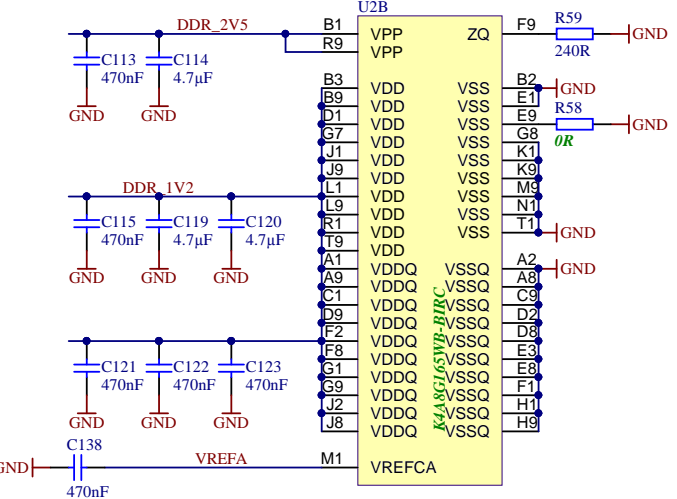
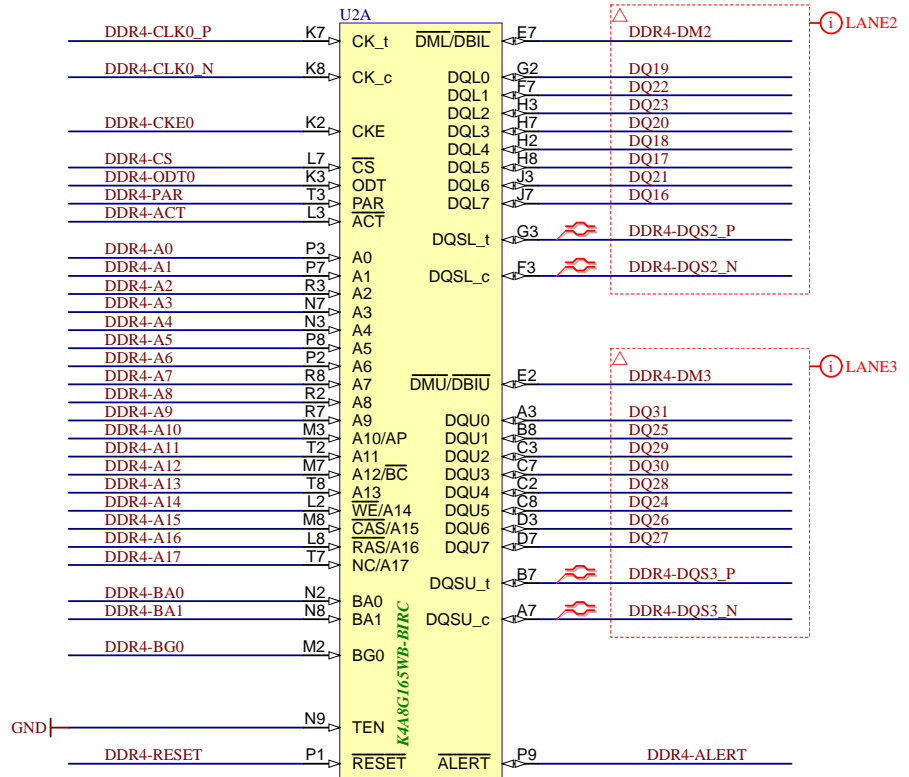
B

C

C

D

D



Title: TE0803 - DDR4_1_RAM		
A4	Number: TE0803 05EV-11C	Rev. 02
Date: 2018-05-21	Copyright: Trenz Electronic GmbH / TT	Page17 of 26
Filename: DDR4-RAM.SchDoc		

1

2

3

4

1

2

3

4

A

A

B

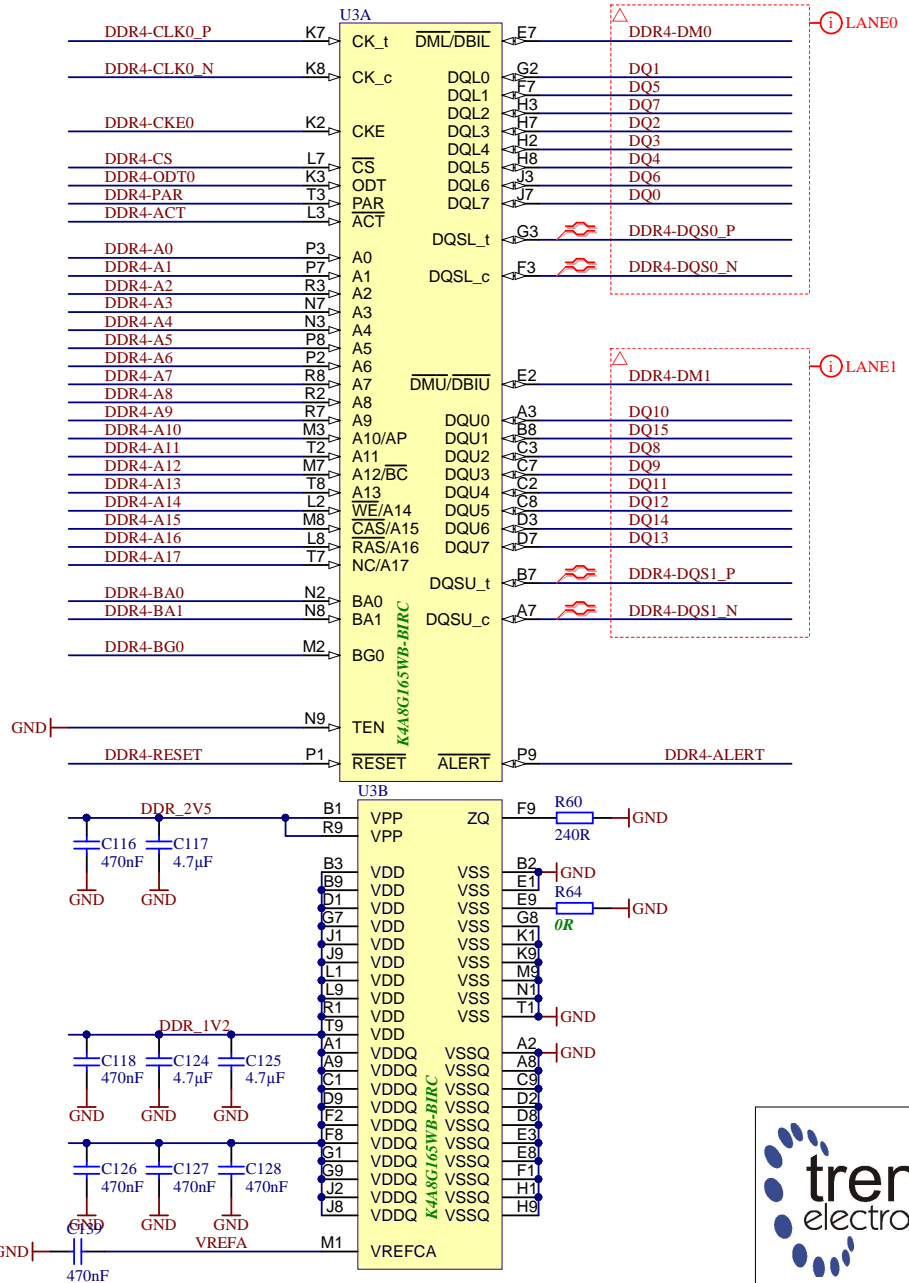
B

C

C

D

D



Title: TE0803 - DDR4_2_RAM		
A4	Number: TE0803 05EV-11C	Rev. 02
Date: 2018-05-21	Copyright: Trenz Electronic GmbH / TT	Page18 of 26
Filename: DDR4-RAM_2.SchDoc		

1

2

3

4

1

2

3

4

A

A

B

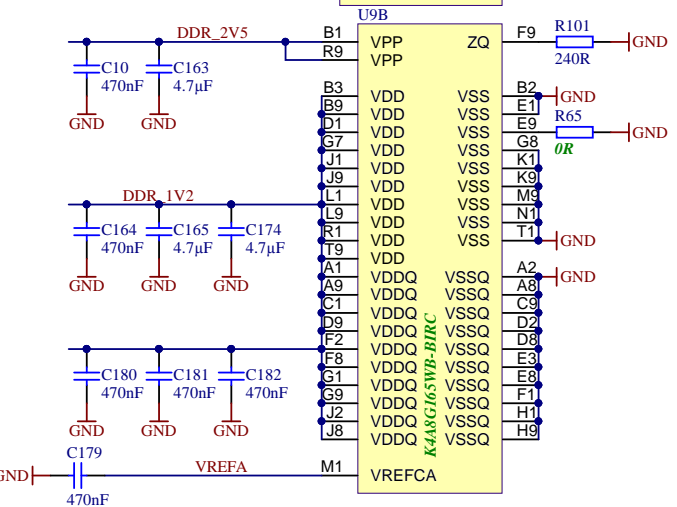
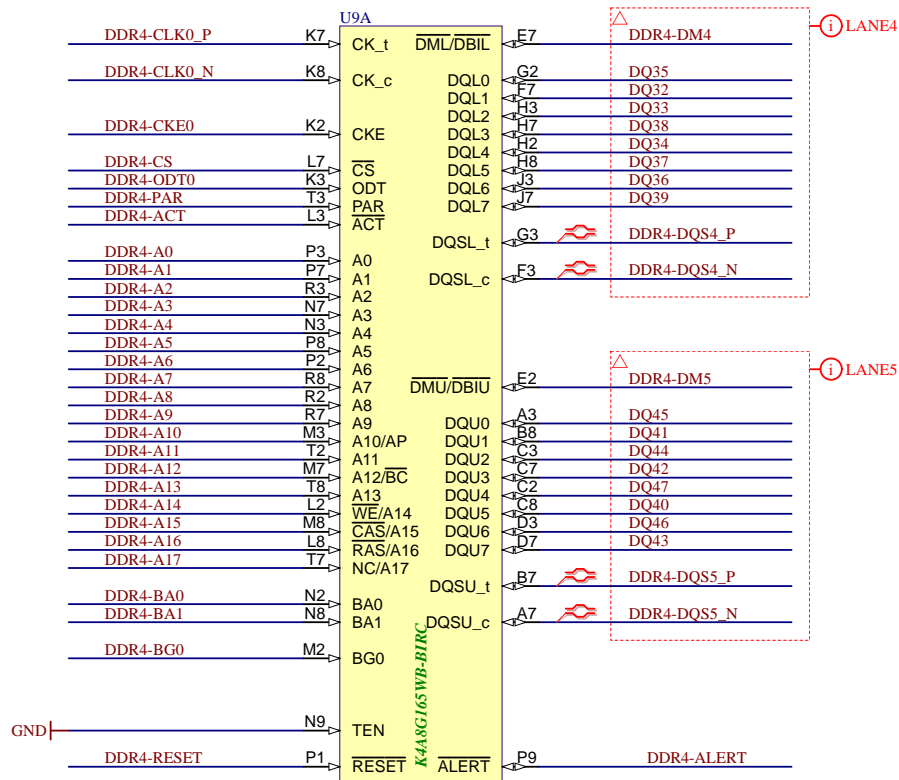

B

C

C

D

D

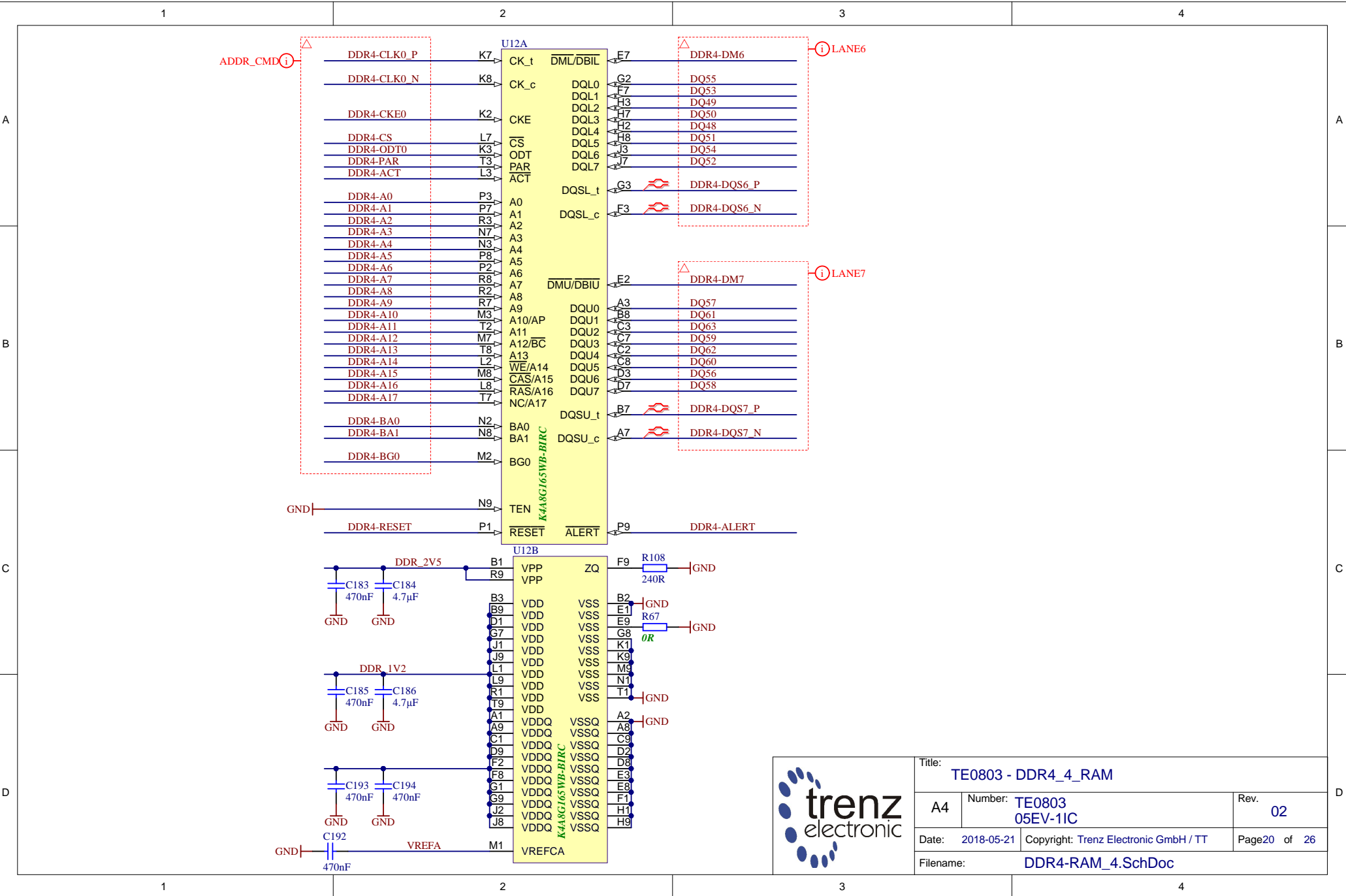
Title: TE0803 - DDR4_3_RAM		
A4	Number: TE0803 05EV-11C	Rev. 02
Date: 2018-05-21	Copyright: Trenz Electronic GmbH / TT	Page 19 of 26
Filename: DDR4-RAM_3.SchDoc		

1

2

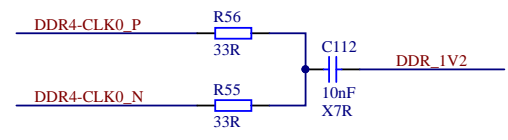
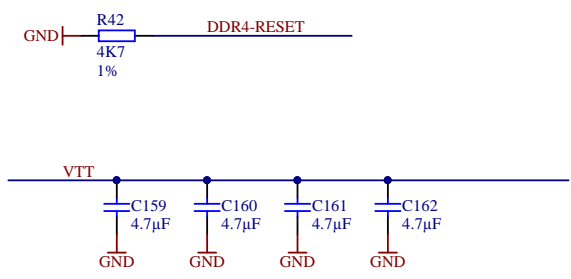
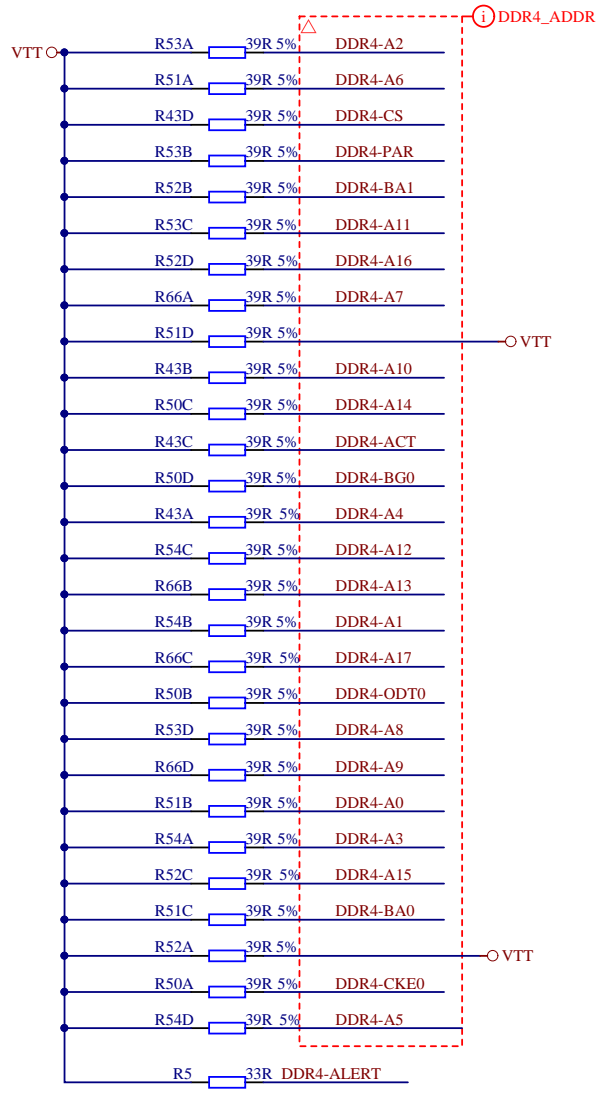
3

4

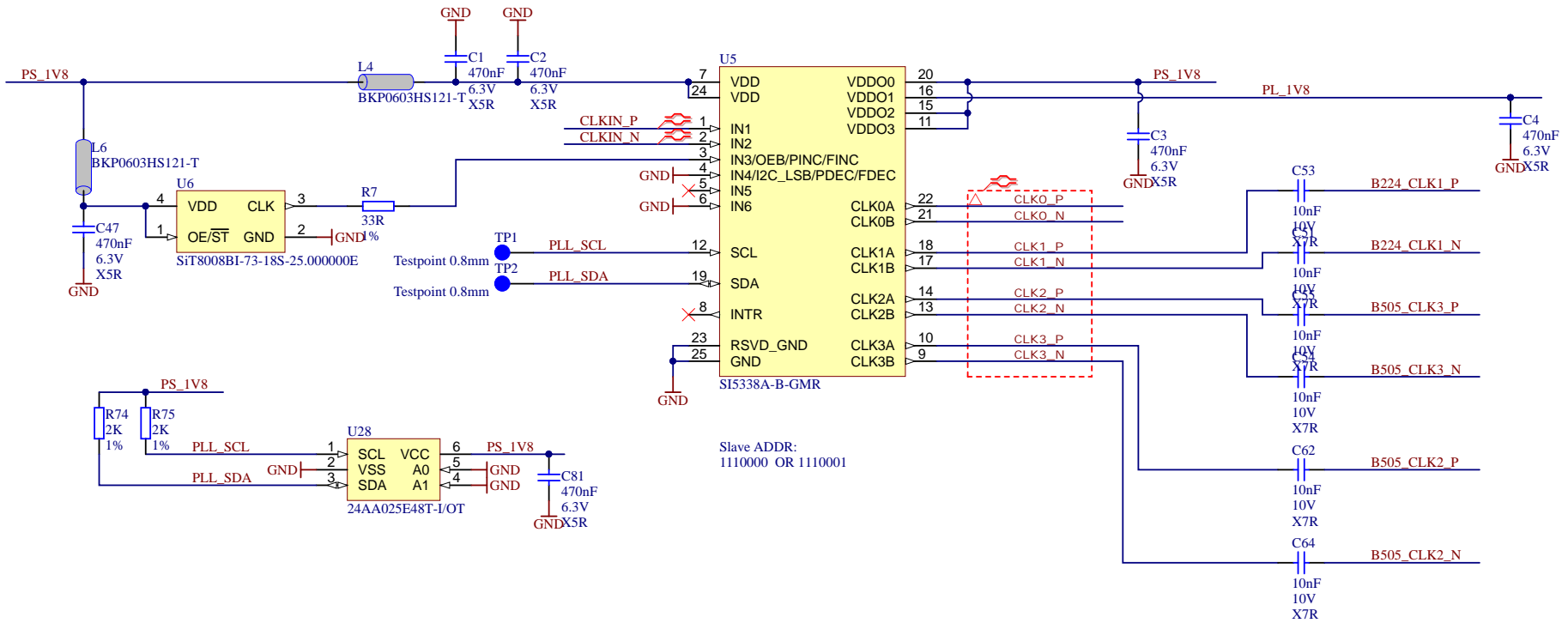


Title: TE0803 - DDR4_4_RAM		
A4	Number: TE0803 05EV-11C	Rev. 02
Date: 2018-05-21	Copyright: Trenz Electronic GmbH / TT	Page20 of 26
Filename: DDR4-RAM_4.SchDoc		

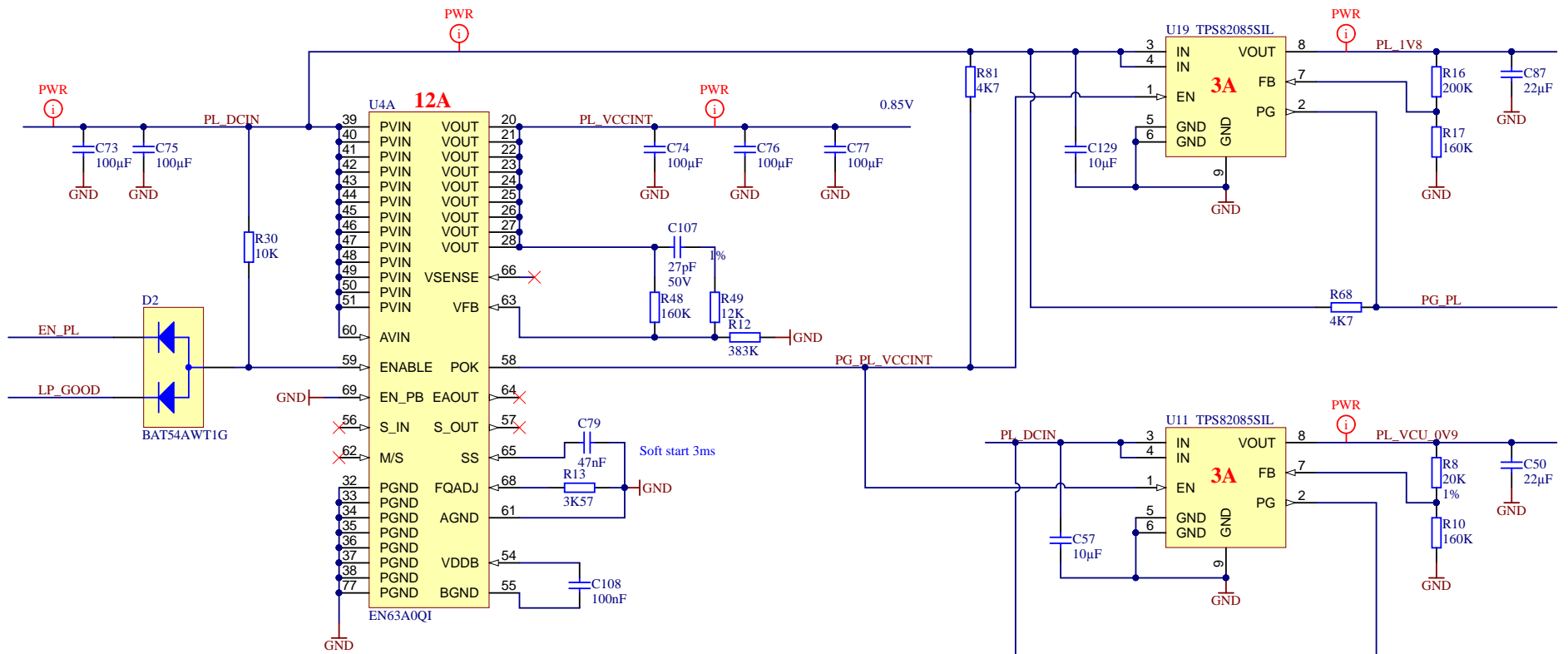




Title: TE0803 - DDR4_TERM		
A4	Number: TE0803 05EV-11C	Rev. 02
Date: 2018-05-21	Copyright: Trenz Electronic GmbH / TT	Page21 of 26
Filename: DDR4-TERM.SchDoc		



Title: TE0803 - CLOCK		
A4	Number: TE0803 05EV-11C	Rev. 02
Date: 2018-05-21	Copyright: Trenz Electronic GmbH / TT	Page22 of 26
Filename: Clock.SchDoc		



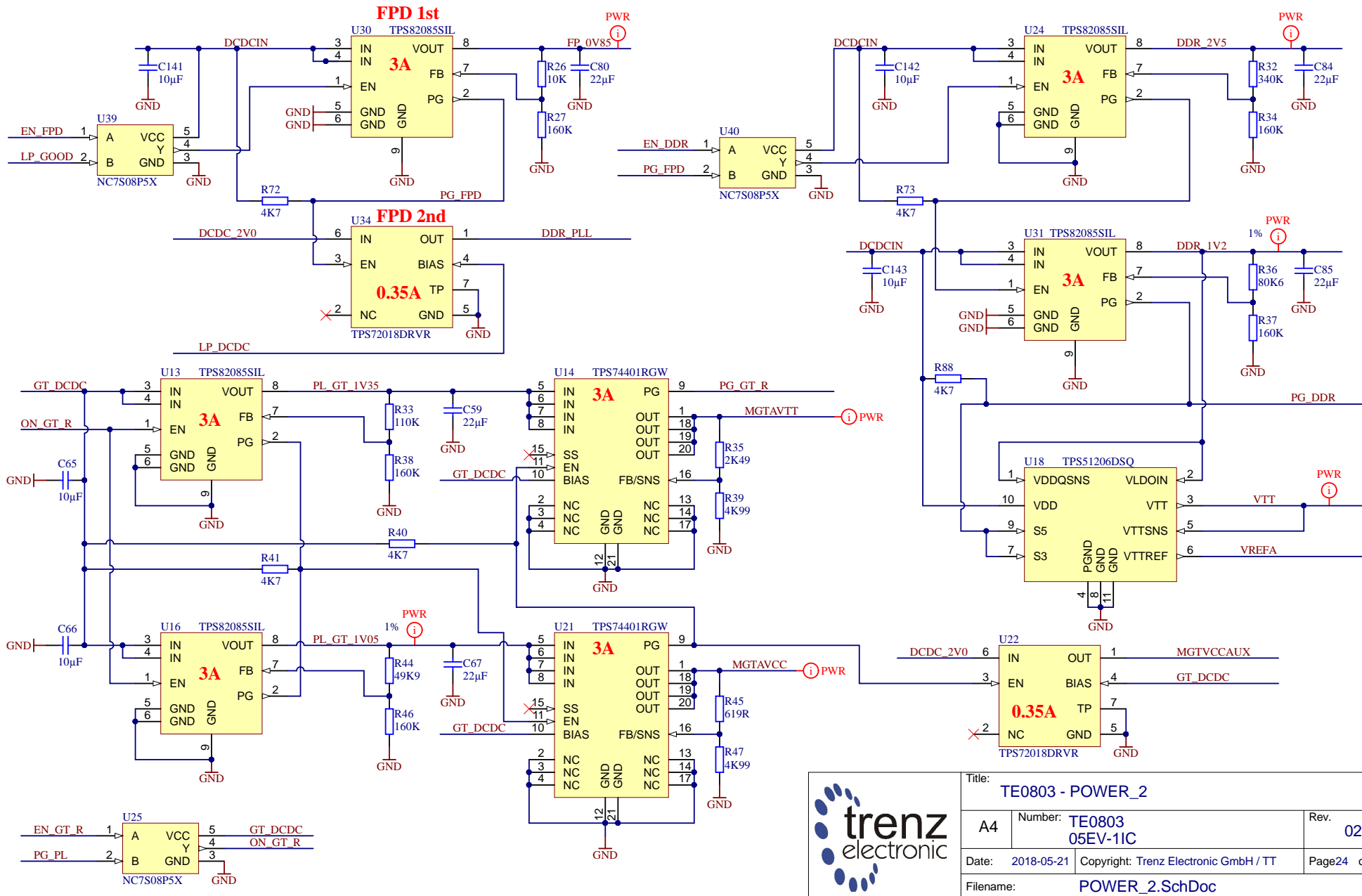

U4B

1	NC	NC	17
2	NC	NC	18
3	NC	NC	19
4	NC	NC	29
5	NC	NC	30
6	NC	NC(SW)	31
7	NC	NC(SW)	52
8	NC	NC	53
9	NC	NC	67
10	NC	NC(SW)	70
11	NC	NC(SW)	71
12	NC	NC(SW)	72
13	NC	NC	73
14	NC	NC	74
15	NC	NC	75
16	NC	NC	76

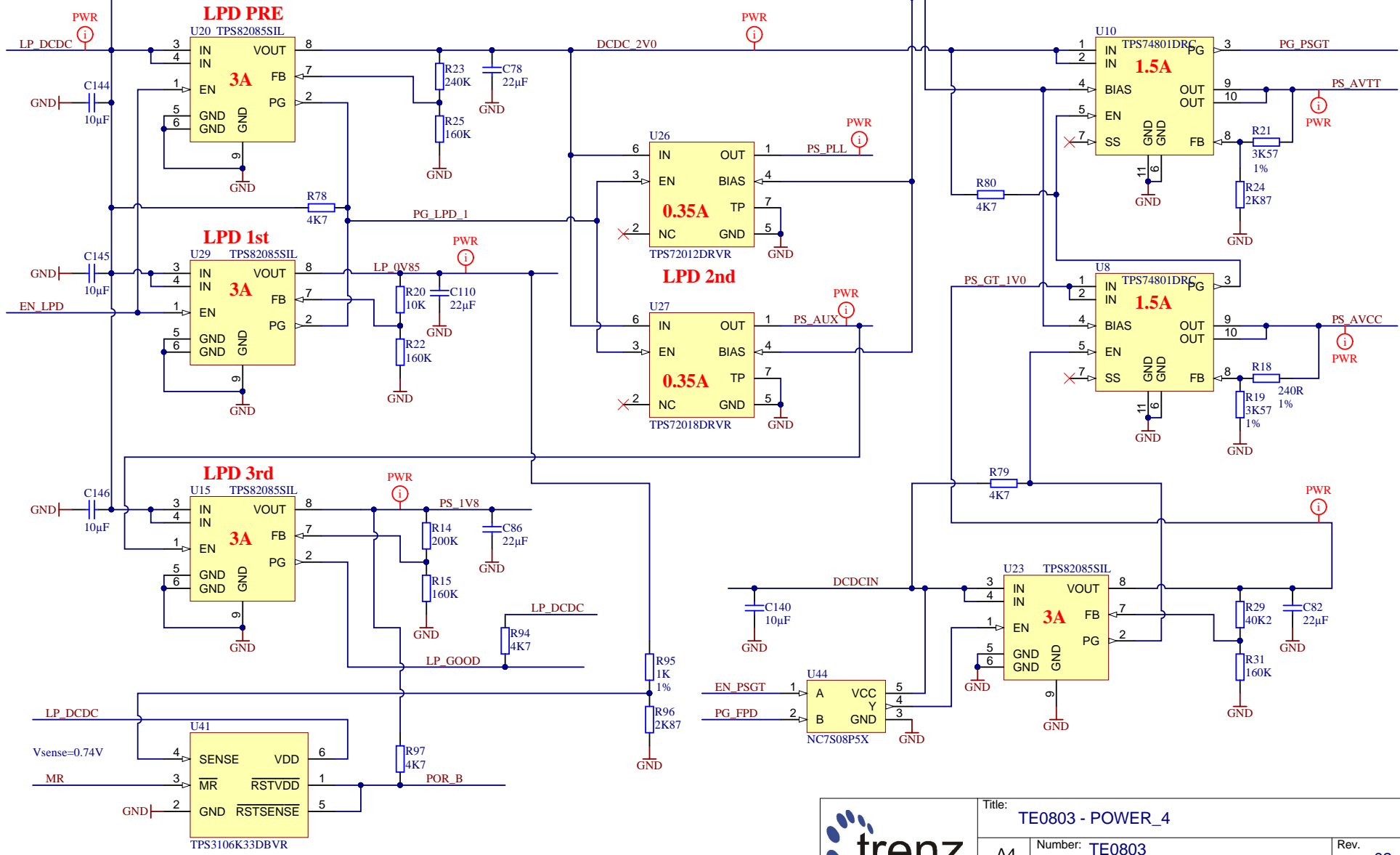
EN63A0QI




Title: TE0803 - POWER		
A4	Number: TE0803 05EV-11C	Rev. 02
Date: 2018-05-21	Copyright: Trenz Electronic GmbH / TT	Page23 of 26
Filename: POWER.SchDoc		

Title: TE0803 - POWER_2		
A4	Number: TE0803 05EV-11C	Rev. 02
Date: 2018-05-21	Copyright: Trenz Electronic GmbH / TT	Page24 of 26
Filename: POWER_2.SchDoc		



			Title: TE0803 - POWER_4	
			A4	Number: TE0803 05EV-11C
Date: 2018-05-21		Copyright: Trenz Electronic GmbH / TT		Page25 of 26
Filename: POWER_4.SchDoc				

1

2

3

4

CHANGES REV01a (20.11.2017):

1) VCU voltage set to 0.9V, R20 changed to 40K , PL\_VCU\_1V0 renamed to PL\_VCU\_0V9.

CHANGES REV02 (20.06.2018):

- 1) Added LDO to DDR\_PLL
- 2) All differential pairs wath length matched with tollerance 0.1mm (excluding package delays)
- 3) Added MAC EEPROM U28
- 4) VPS\_MGTRAVCC set to 0.85V
- 5) Added pull-up resistors R68,R69

A

A

B

B

C

C

D

D



Title: TE0803 - Changes list		
A4	Number: TE0803 05EV-11C	Rev. 02
Date: 2018-05-21	Copyright: Trenz Electronic GmbH	Page26 of 26
Filename: Revision_Changes.SchDoc		

1

2

3

4