

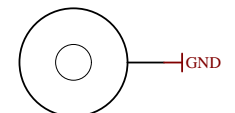
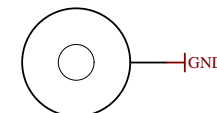
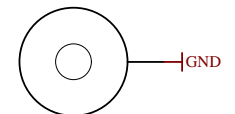
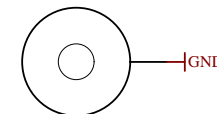
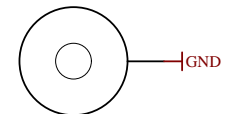
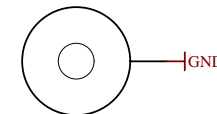
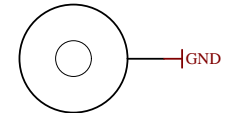
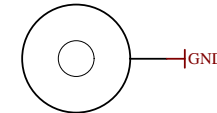
1

2

3

4

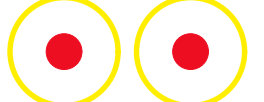
U_J1 J1.SchDoc	U_B_PS_GT B_PS_GT.SchDoc	U_DDR4-TERM DDR4-TERM.SchDoc
U_J2 J2.SchDoc	U_PS_DDR PS_DDR.SchDoc	U_ZU_POWER ZU_POWER.SchDoc
U_J3 J3.SchDoc	U_B_MIO B_MIO.SchDoc	U_ZU_PS_POWER ZU_PS_POWER.SchDoc
U_J4 J4.SchDoc	U_B_HD B_HD.SchDoc	U_POWER POWER.SchDoc
U_DDR4-TERM DDR4-TERM.SchDoc	U_Clock Clock.SchDoc	U_POWER_2 POWER_2.SchDoc
U_B64 B64.SchDoc	U_CONFIG CONFIG.SchDoc	U_POWER_3 POWER_3.SchDoc
U_B65 B65.SchDoc	U_DDR4-RAM DDR4-RAM.SchDoc	U_POWER_4 POWER_4.SchDoc
U_B66 B66.SchDoc	U_DDR4-RAM_2 DDR4-RAM_2.SchDoc	
U_B_GT B_GT.SchDoc	U_DDR4-RAM_3 DDR4-RAM_3.SchDoc	
U_B_GT_2 B_GT_2.SchDoc	U_DDR4-RAM_4 DDR4-RAM_4.SchDoc	



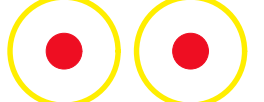
FIDU-DOT - small



FIDU-DOT - small



FIDU-DOT - small



FIDU-DOT - small

LOGO1

TE Logo PRINT Layer

LOGO PRINT

Serial

Serial

Serialnumber 6,3 x 6.3mm



Title: TE0807		
A4	Number: TE0807 07EV-1E	Rev. 01
Date: 2017-04-18	Copyright: Trenz Electronic GmbH / TT	Page1 of 27
Filename: TE0807.SchDoc		

1

2

3

4

A

A

B

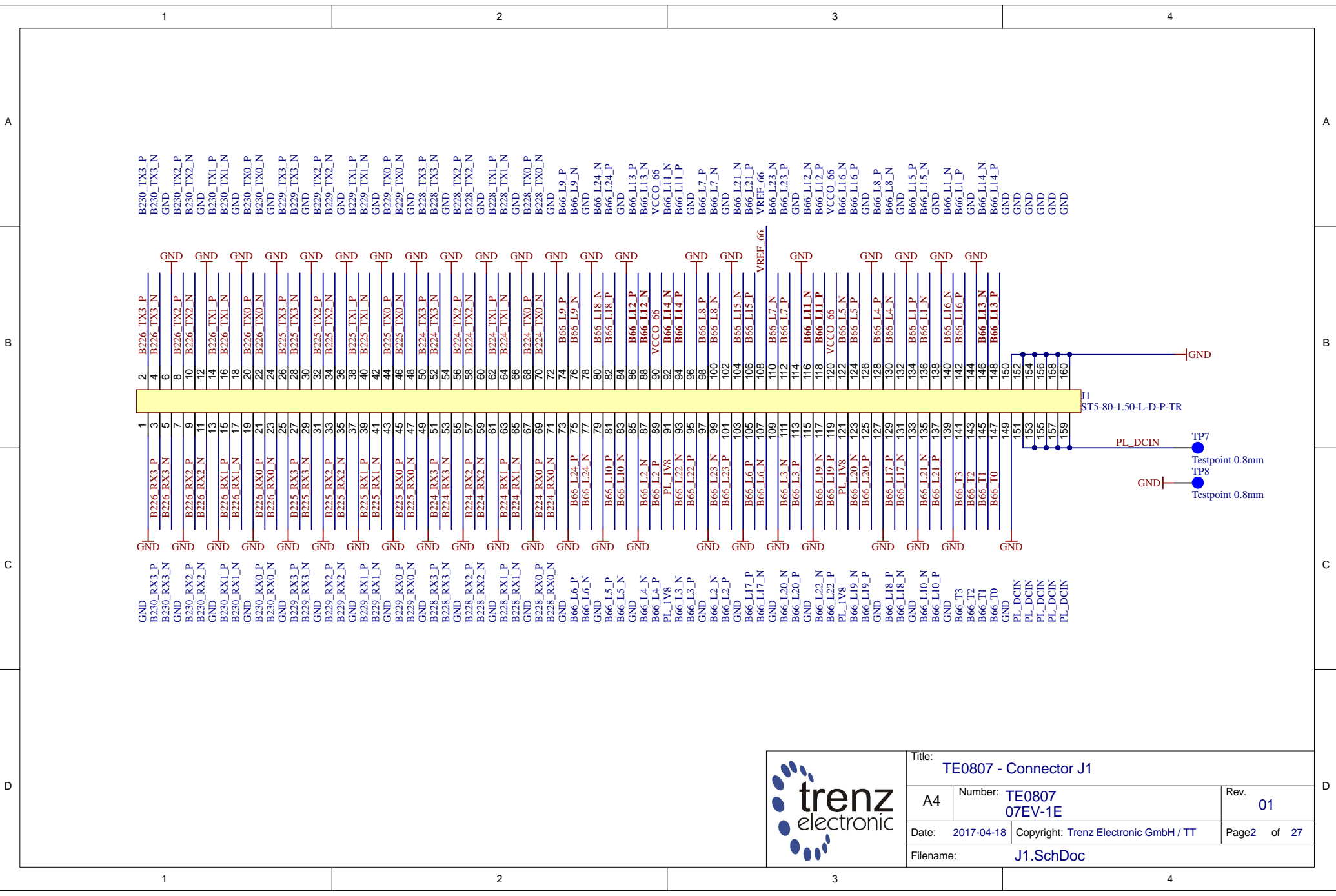

B

C

C

D

D

Title: TE0807 - Connector J1		
A4	Number: TE0807 07EV-1E	Rev. 01
Date: 2017-04-18	Copyright: Trenz Electronic GmbH / TT	Page2 of 27
Filename: J1.SchDoc		

1
1
1
1

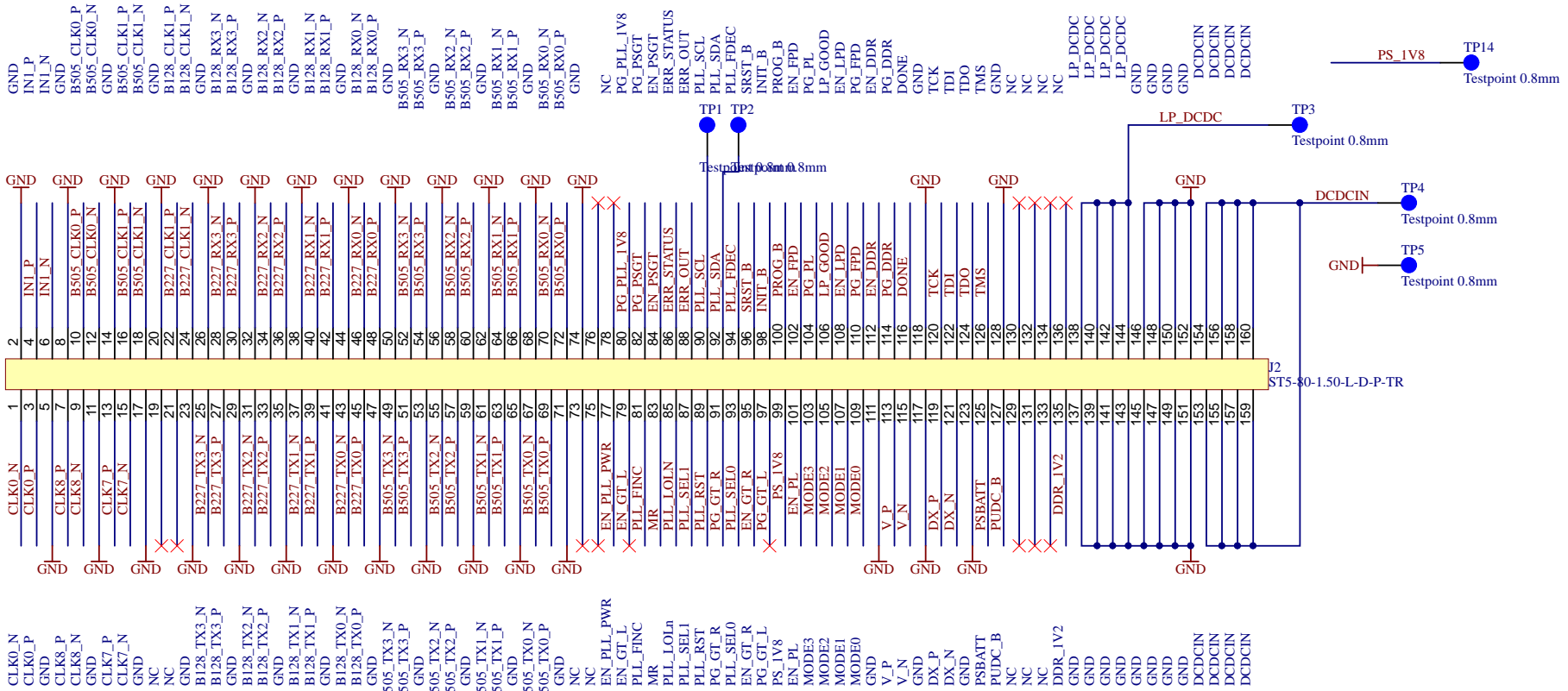
2
2
2
2

3
3
3
3

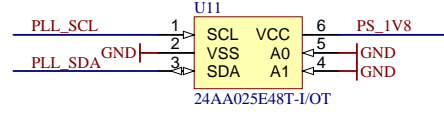
4
4
4
4

A
B
C
D

A
B
C
D



EEPROM for MAC



Slave address: 1010000x



Title: TE0807 - Connector J2		
A4	Number: TE0807 07EV-1E	Rev. 01
Date: 2017-04-18	Copyright: Trenz Electronic GmbH / TT	Page3 of 27
Filename: J2.SchDoc		

1
1
1
1

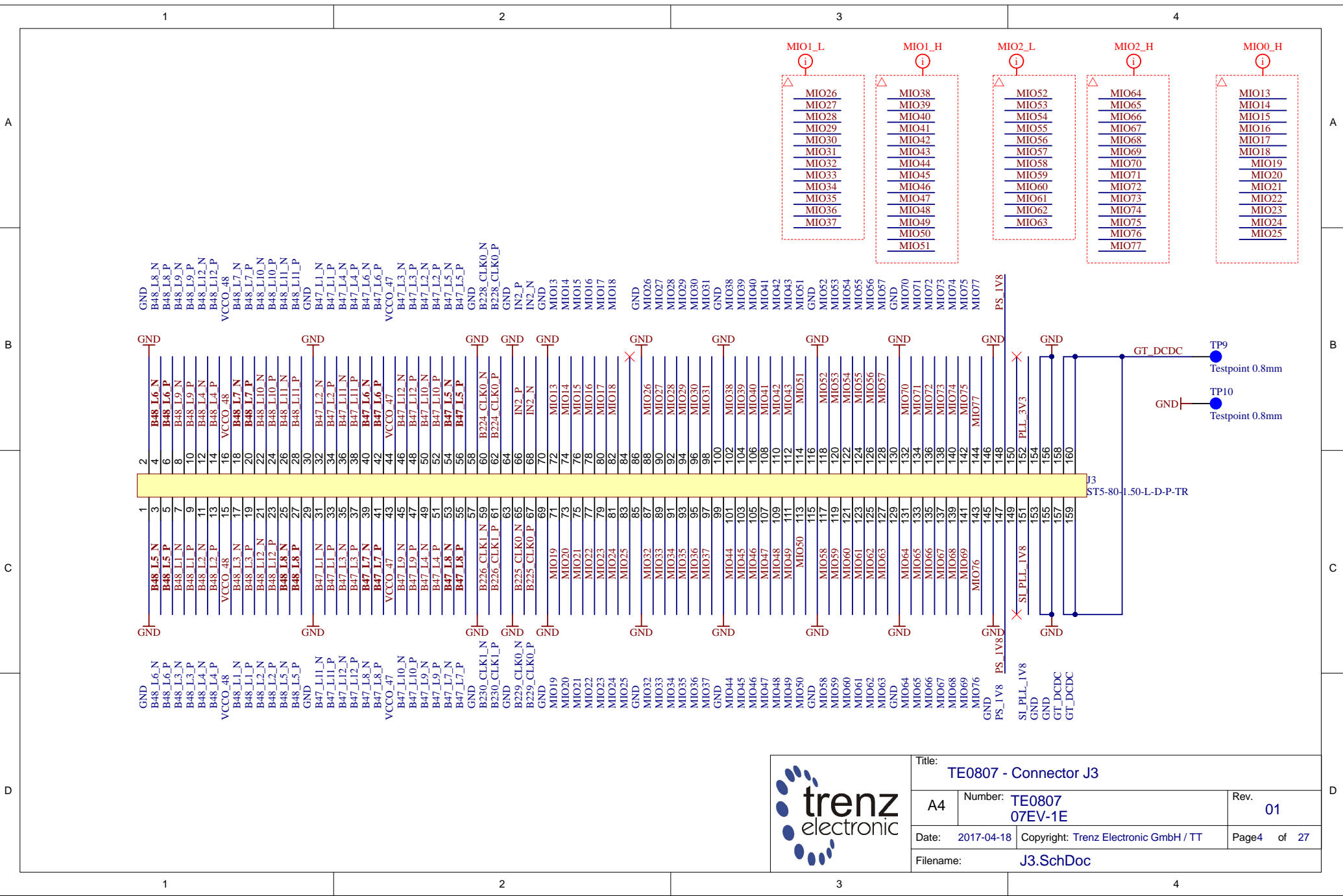
2
2
2
2

3
3
3
3

4
4
4
4

A
B
C
D

A
B
C
D



	Title: TE0807 - Connector J3	
	A4	Number: TE0807 07EV-1E
	Date: 2017-04-18	Copyright: Trenz Electronic GmbH / TT
	Filename: J3.SchDoc	
	Rev. 01	Page4 of 27

A
B
C
D

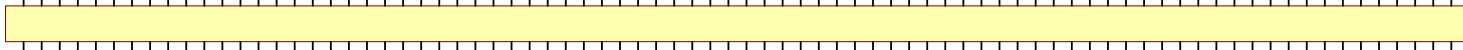
1

2

3

4

B65_T3	1	B65_T3	2	B64_T2	B64_T2
B65_T2	3	B65_T2	4	B64_T3	B64_T3
B65_T1	5	B65_T1	6	B64_T1	B64_T1
B65_T0	7	B65_T0	8	B64_T0	B64_T0
GND	9	GND	10	GND	GND
B65_L24_P	11	B65_L23_P	11	B64_L4_N	B64_L24_N
B65_L24_N	13	B65_L23_N	13	B64_L4_P	B64_L24_P
VREF_65	15	VREF_65	15	GND	GND
B65_L17_N	17	B65_L18_N	17	GND	B64_L22_P
B65_L17_P	19	B65_L18_P	19	GND	B64_L22_N
GND	21	GND	21	GND	GND
B65_L22_P	23	B65_L24_P	23	B64_L5_P	B64_L23_P
B65_L22_N	25	B65_L24_N	25	B64_L5_N	B64_L23_N
GND	27	GND	27	GND	GND
B65_L21_P	29	B65_L20_P	29	B64_L7_N	B64_L19_N
B65_L21_N	31	B65_L20_N	31	B64_L7_P	B64_L19_P
GND	33	GND	33	GND	GND
B65_L20_P	35	B65_L21_P	35	B64_L16_P	B64_L15_P
B65_L20_N	37	B65_L21_N	37	B64_L16_N	B64_L15_N
GND	39	GND	39	GND	GND
B65_L23_N	41	B65_L22_N	41	B64_L3_P	B64_L21_P
B65_L23_P	43	B65_L22_P	43	B64_L3_N	B64_L21_N
GND	45	GND	45	GND	GND
B65_L19_P	47	B65_L19_P	47	B64_L2_N	B64_L20_N
B65_L19_N	49	B65_L19_N	49	B64_L2_P	B64_L20_P
GND	51	GND	51	GND	GND
B65_L18_P	53	B65_L17_P	53	B64_L6_P	B64_L18_P
B65_L18_N	55	B65_L17_N	55	B64_L6_N	B64_L18_N
GND	57	GND	57	VCCO_64	VCCO_64
B65_L15_N	59	B65_L15_N	59	B64_L15_P	B64_L17_P
B65_L15_P	61	B65_L15_P	61	B64_L15_N	B64_L17_N
GND	63	GND	63	GND	GND
B65_L12_N	65	B65_L12_N	65	B64_L11_N	B64_L13_N
B65_L12_P	67	B65_L12_P	67	B64_L11_P	B64_L13_P
VCCO_65	69	VCCO_65	69	GND	GND
B65_L7_N	71	B65_L7_N	71	B64_L12_N	B64_L14_N
B65_L7_P	73	B65_L7_P	73	B64_L12_P	B64_L14_P
GND	75	GND	75	GND	GND
B65_L11_N	77	B65_L11_N	77	B64_L13_P	B64_L11_P
B65_L11_P	79	B65_L11_P	79	B64_L13_N	B64_L11_N
GND	81	GND	81	GND	GND
B65_L6_N	83	B65_L5_N	83	B64_L8_N	B64_L16_N
B65_L6_P	85	B65_L5_P	85	B64_L8_P	B64_L16_P
GND	87	GND	87	VREF_64	VREF_64
B65_L13_P	89	B65_L14_P	89	B64_L9_N	B64_L10_N
B65_L13_N	91	B65_L14_N	91	B64_L9_P	B64_L10_P
GND	93	GND	93	GND	GND
B65_L10_N	95	B65_L9_N	95	B64_L10_N	B64_L16_N
B65_L10_P	97	B65_L9_P	97	B64_L10_P	B64_L16_P
GND	99	GND	99	GND	GND
B65_L4_N	101	B65_L4_N	101	B64_L22_P	B64_L5_P
B65_L4_P	103	B65_L4_P	103	B64_L22_N	B64_L5_N
VCCO_65	105	VCCO_65	105	GND	VCCO_64
B65_L6_N	107	B65_L6_N	107	B64_L20_N	B64_L19_N
B65_L6_P	109	B65_L6_P	109	B64_L20_P	B64_L19_P
GND	111	GND	111	GND	GND
B65_L14_N	113	B65_L13_N	113	B64_L19_P	B64_L14_P
B65_L14_P	115	B65_L13_P	115	B64_L19_N	B64_L14_N
GND	117	GND	117	GND	GND
B65_L8_P	119	B65_L1_P	119	B64_L21_N	B64_L3_N
B65_L8_N	121	B65_L1_N	121	B64_L21_P	B64_L3_P
GND	123	GND	123	GND	GND
B65_L2_N	125	B65_L10_N	125	B64_L14_N	B64_L12_N
B65_L2_P	127	B65_L10_P	127	B64_L14_P	B64_L12_P
GND	129	GND	129	GND	GND
B65_L16_P	131	B65_L16_P	131	B64_L23_N	B64_L2_N
B65_L16_N	133	B65_L16_N	133	B64_L23_P	B64_L2_P
GND	135	GND	135	GND	GND
B65_L3_N	137	B65_L3_N	137	B64_L24_N	B64_L1_N
B65_L3_P	139	B65_L3_P	139	B64_L24_P	B64_L1_P
GND	141	GND	141	GND	GND
B65_L1_P	143	B65_L2_P	143	B64_L18_N	B64_L8_N
B65_L1_N	145	B65_L2_N	145	B64_L18_P	B64_L8_P
GND	147	GND	147	GND	GND
B65_L5_P	149	B65_L8_P	149	B64_L17_P	B64_L7_P
B65_L5_N	151	B65_L8_N	151	B64_L17_N	B64_L7_N
GND	153	GND	153	GND	GND
NC	155	NC	155	NC	NC
NC	157	NC	157	NC	NC
NC	159	NC	159	NC	NC



J4
ST5-80-1.50-L-D-P-TR

	Title: TE0807 - Connector J4	
	A4	Number: TE0807 07EV-1E
	Date: 2017-04-18	Copyright: Trenz Electronic GmbH / TT
	Filename: J4.SchDoc	
	Rev. 01	Page5 of 27

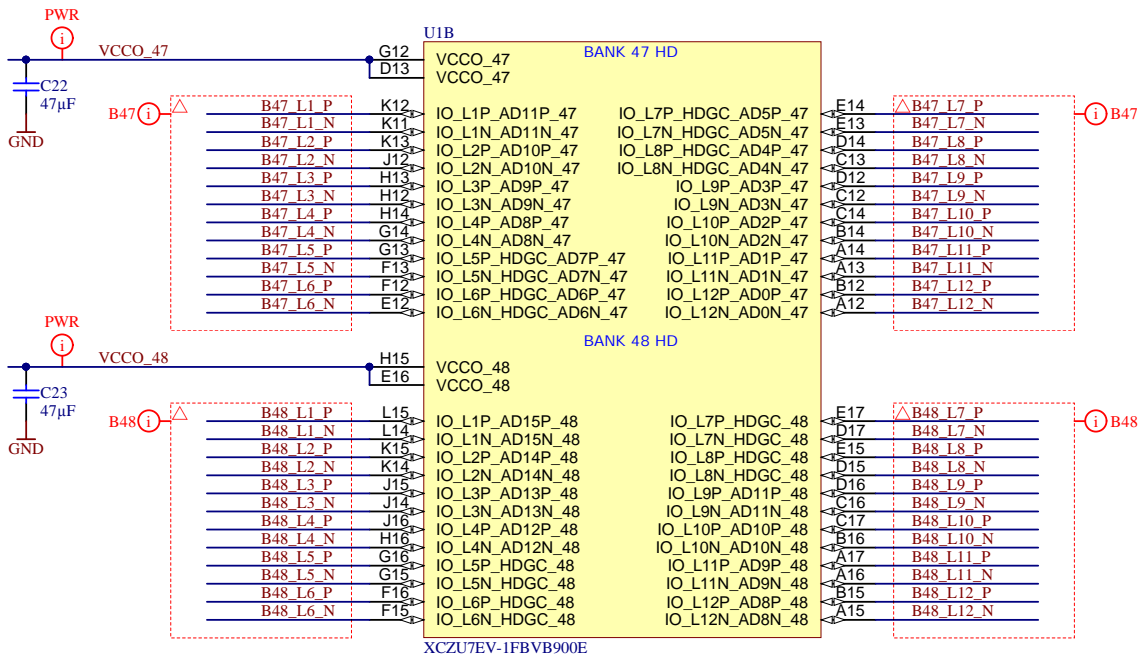
1

2

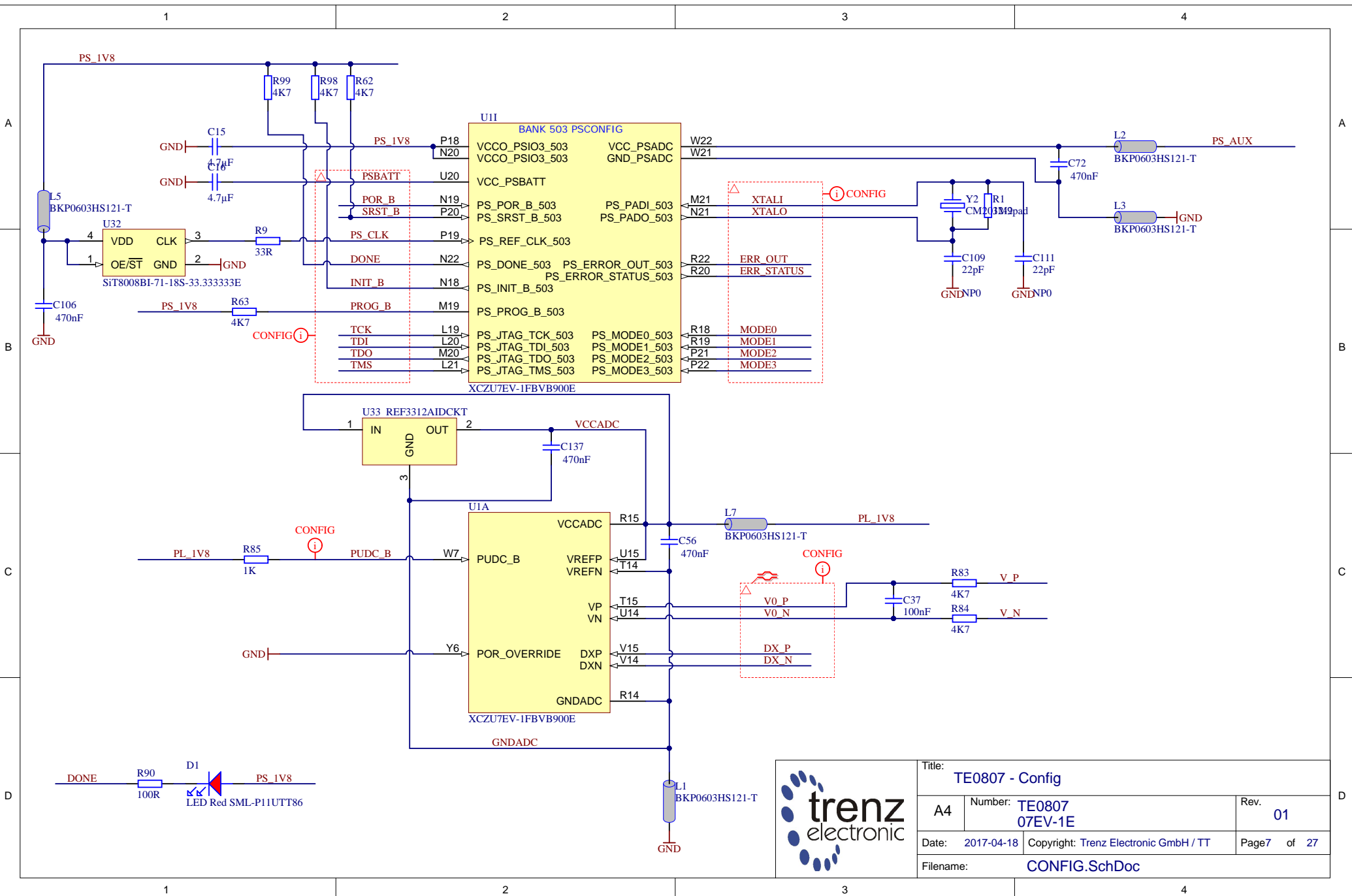
3

4

A
B
C
D



	Title: TE0807 - B47HD and B48HD	
	A4	Number: TE0807 07EV-1E
	Date: 2017-04-18	Copyright: Trenz Electronic GmbH / TT
	Filename: B_HD.SchDoc	Rev. 01



Title: TE0807 - Config		
A4	Number: TE0807 07EV-1E	Rev. 01
Date: 2017-04-18	Copyright: Trenz Electronic GmbH / TT	Page 7 of 27
Filename: CONFIG.SchDoc		

1

2

3

4

A

A

B

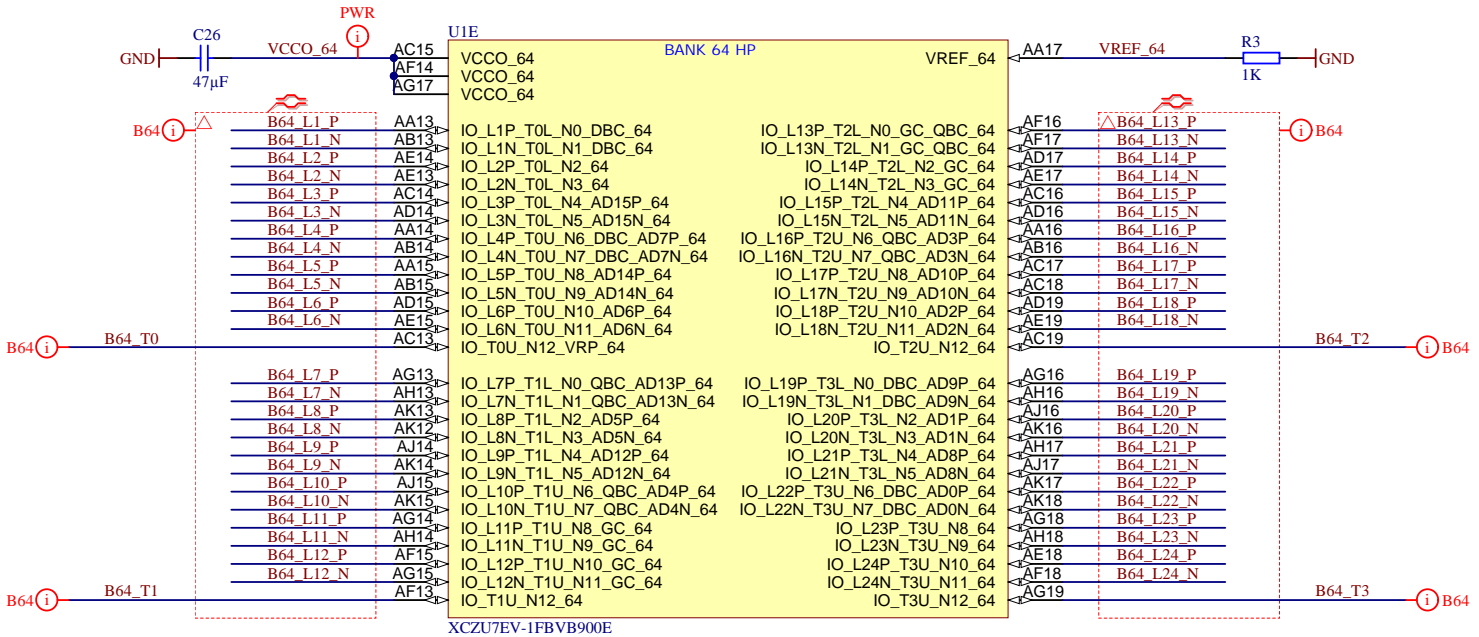
B

C

C

D

D



Title: TE0807 - B64		
A4	Number: TE0807 07EV-1E	Rev. 01
Date: 2017-04-18	Copyright: Trenz Electronic GmbH / TT	Page8 of 27
Filename: B64.SchDoc		

1

2

3

4

1

2

3

4

A

A

B

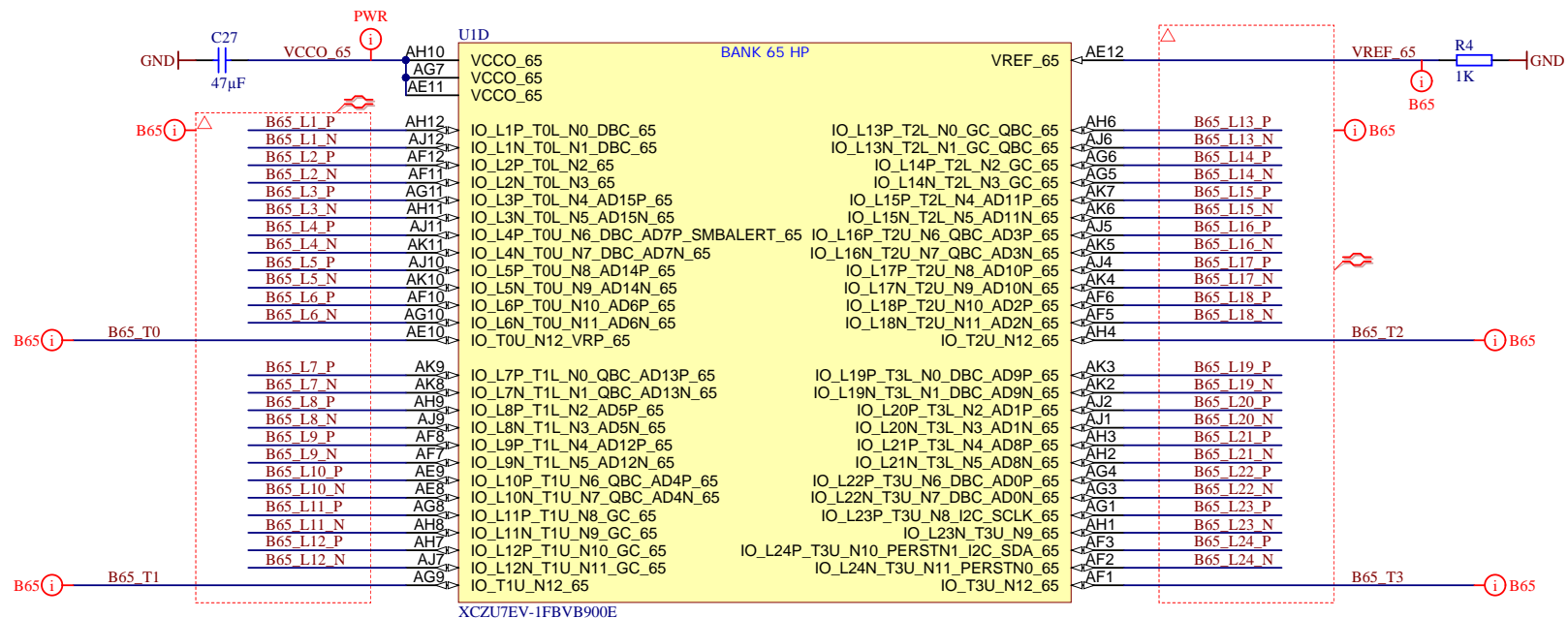
B

C

C

D

D



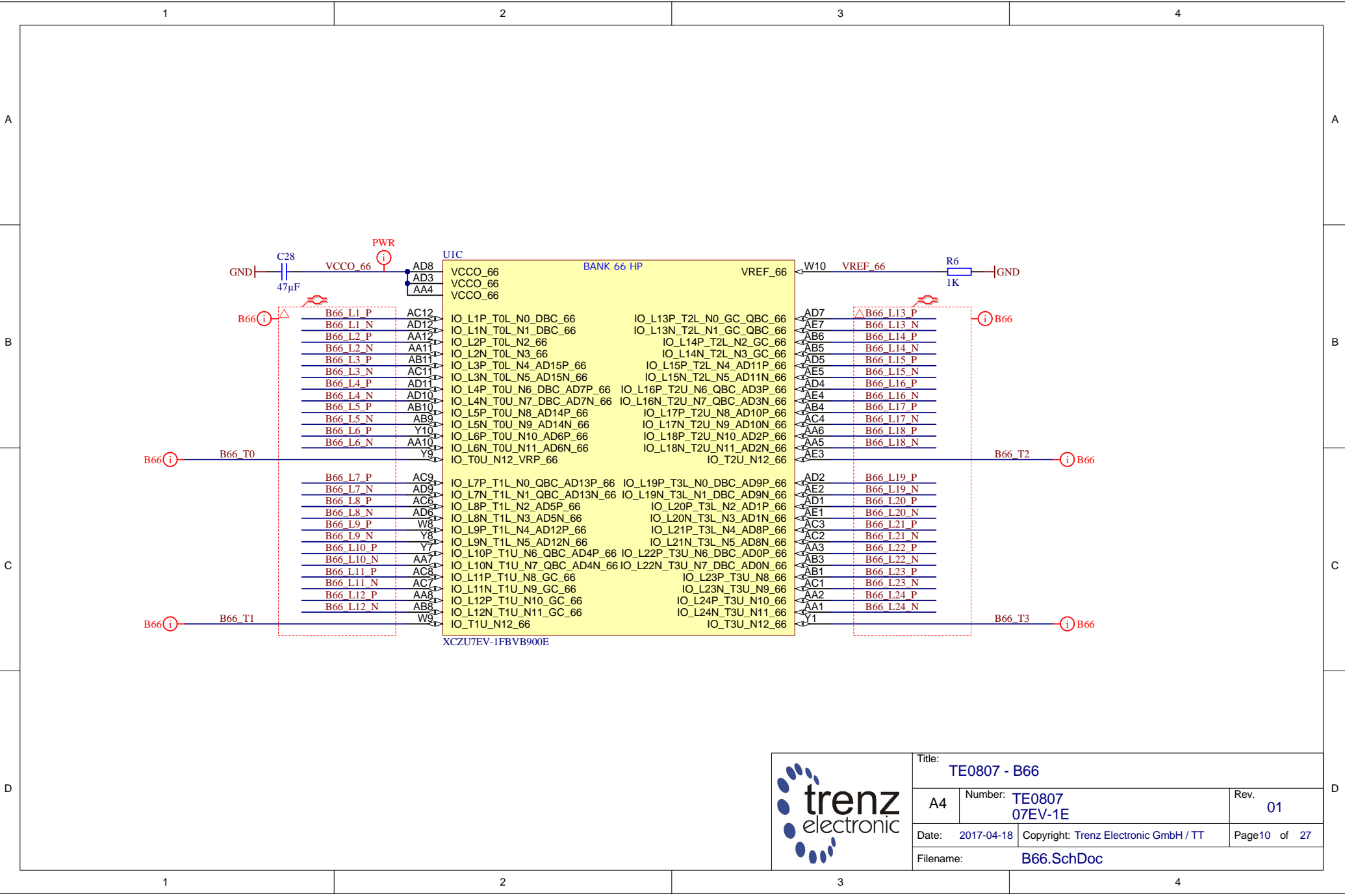
Title: TE0807 - B65		
A4	Number: TE0807 07EV-1E	Rev. 01
Date: 2017-04-18	Copyright: Trenz Electronic GmbH / TT	Page 9 of 27
Filename: B65.SchDoc		


1

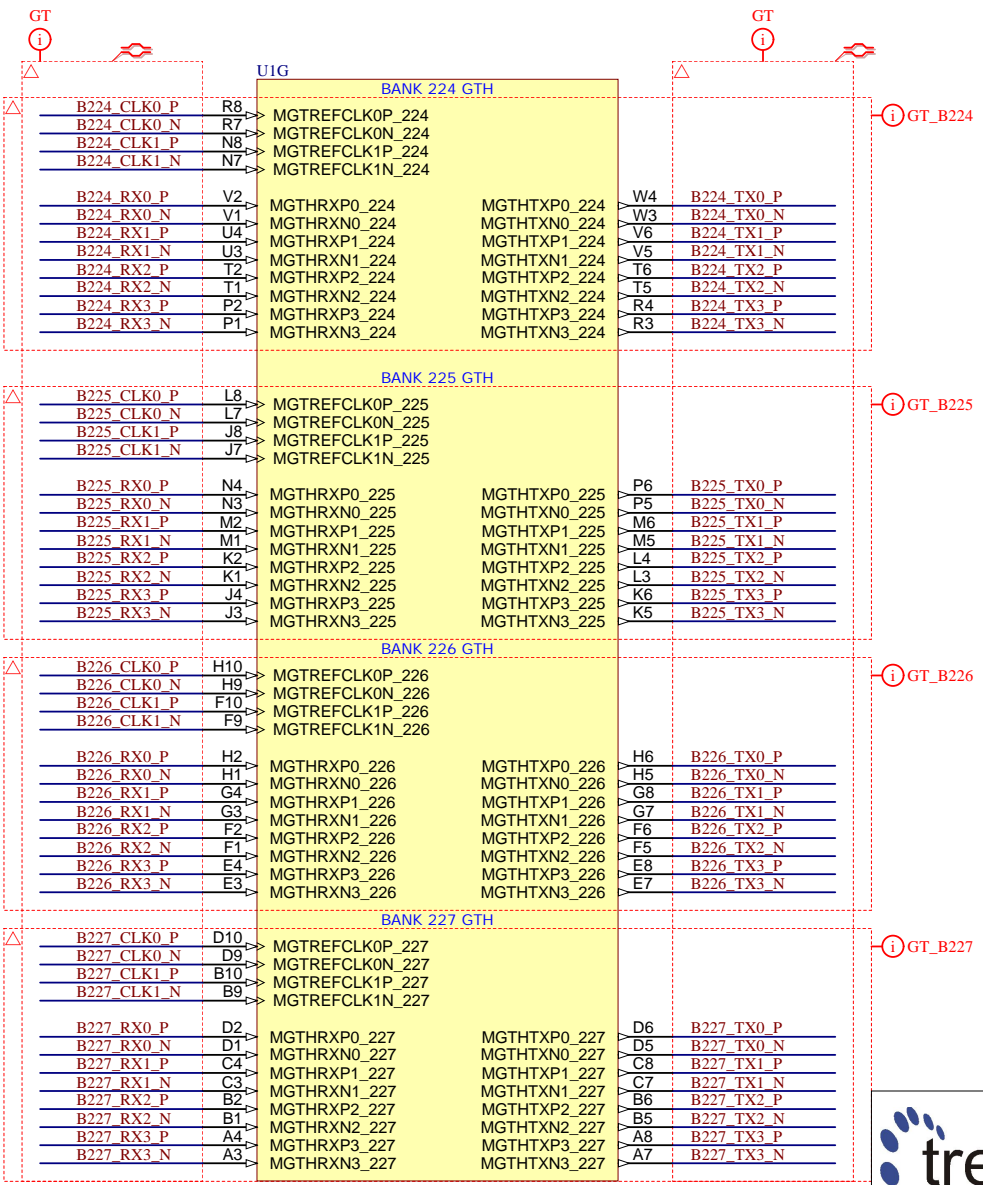
2

3

4



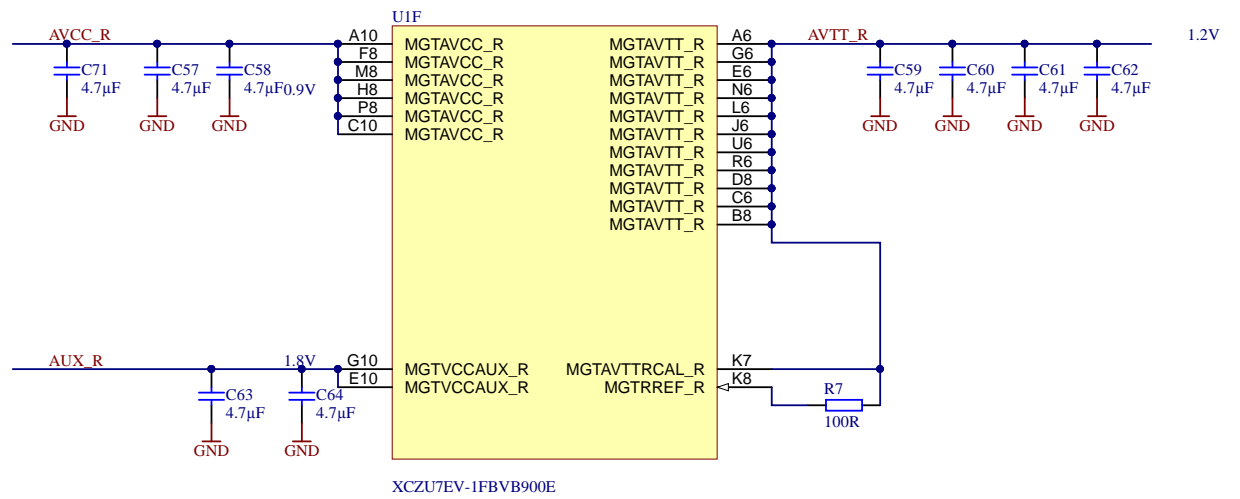
	Title: TE0807 - B66		
	A4	Number: TE0807 07EV-1E	Rev. 01
	Date: 2017-04-18	Copyright: Trenz Electronic GmbH / TT	Page10 of 27
	Filename: B66.SchDoc		



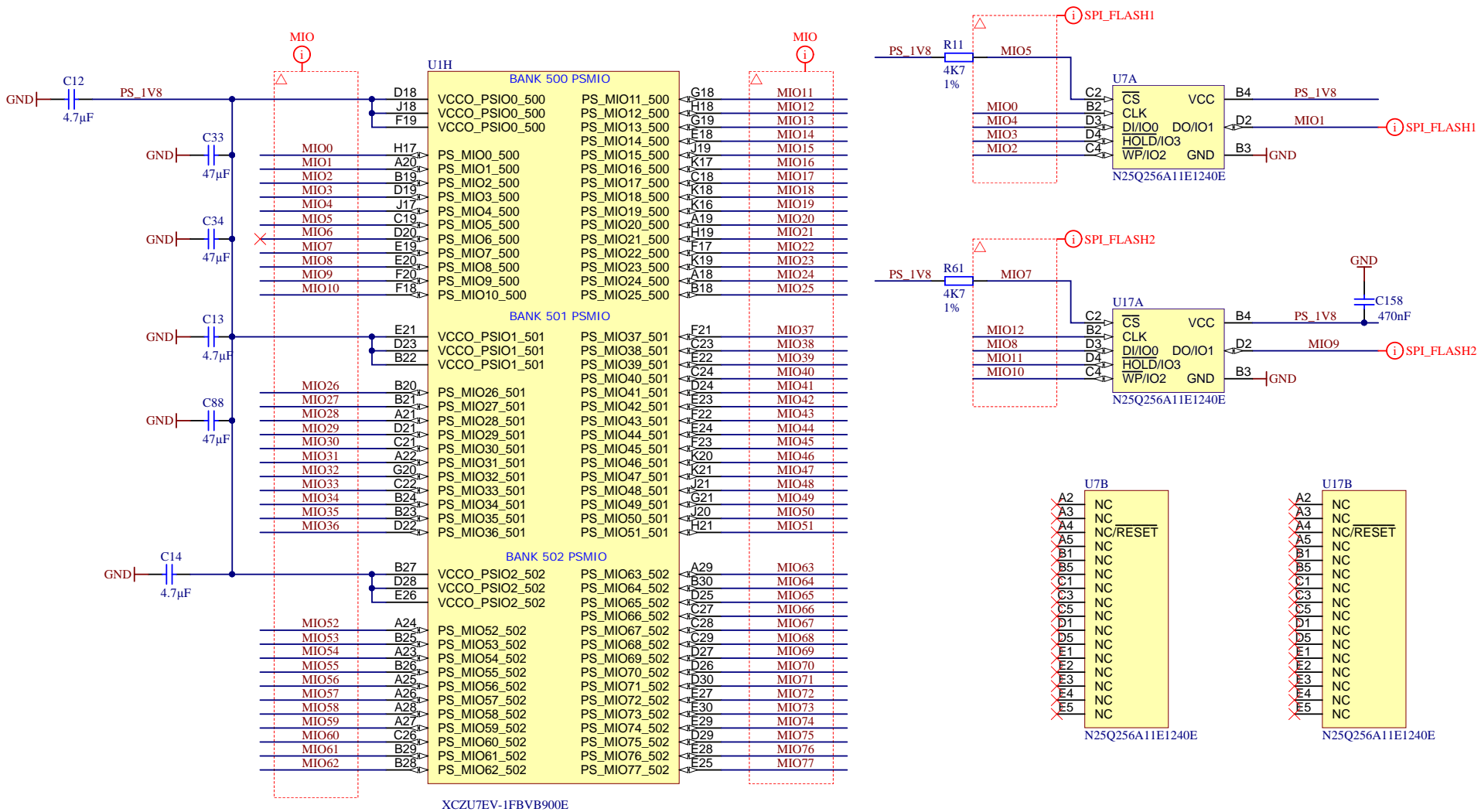
XCZU7EV-1FBVB900E



Title: TE0807 - GTH_Banks		
A4	Number: TE0807 07EV-1E	Rev. 01
Date: 2017-04-18	Copyright: Trenz Electronic GmbH / TT	Page 11 of 27
Filename: B_GT.SchDoc		

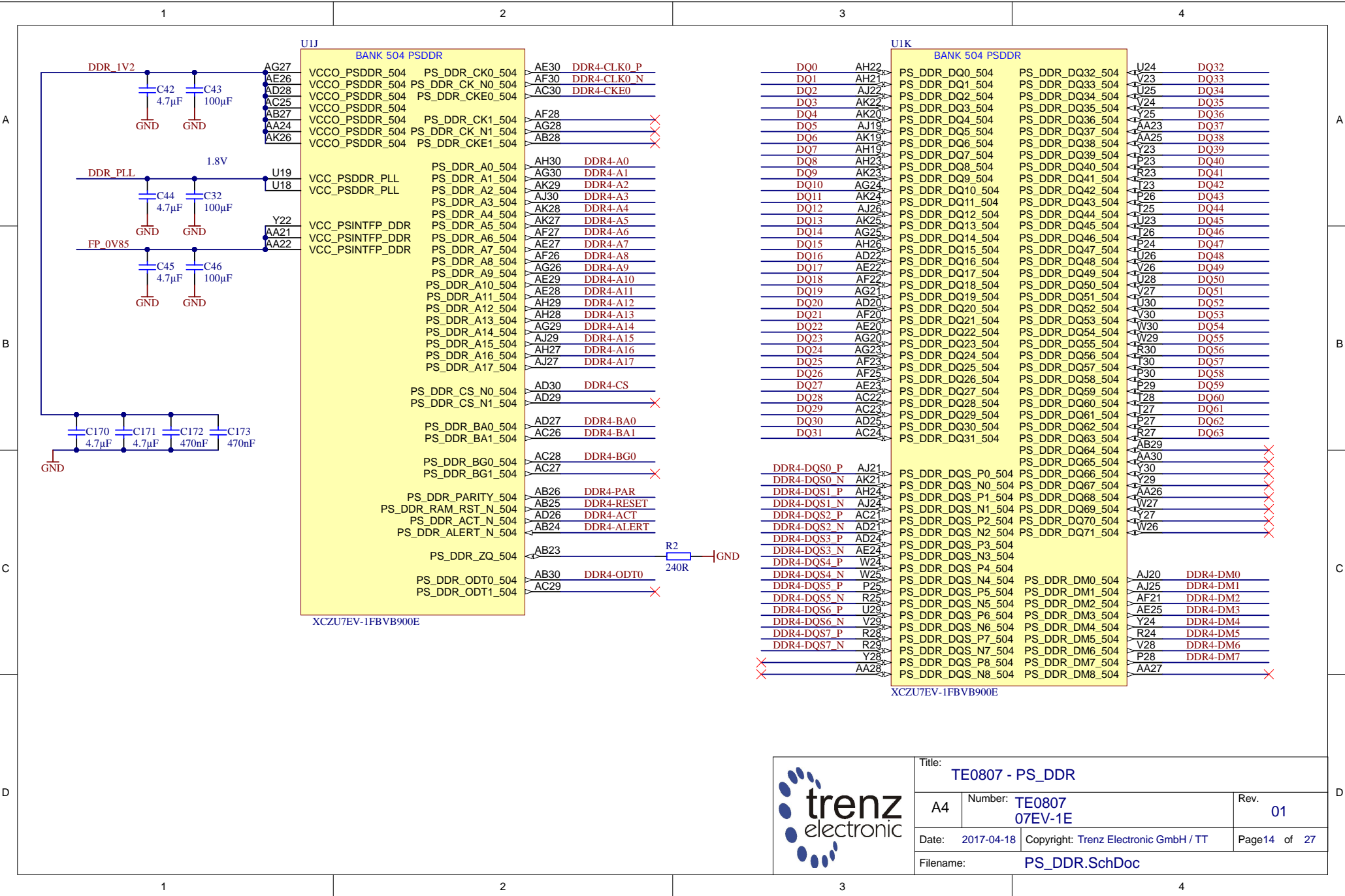


Title: TE0807 - GTH_PWR		
A4	Number: TE0807 07EV-1E	Rev. 01
Date: 2017-04-18	Copyright: Trenz Electronic GmbH / TT	Page 12 of 27
Filename: B_GT_2.SchDoc		



XCZU7EV-1FBVB900E

	Title: TE0807 - MIO Banks		
	A4	Number: TE0807 07EV-1E	Rev. 01
	Date: 2017-04-18	Copyright: Trenz Electronic GmbH / TT	Page13 of 27
	Filename: B_MIO.SchDoc		



UIJ BANK 504 PSDDR

AG27	VCCO_PSDDR_504	PS_DDR_CLK0_504
AE26	VCCO_PSDDR_504	PS_DDR_CLK_N0_504
AD28	VCCO_PSDDR_504	PS_DDR_CKE0_504
AC25	VCCO_PSDDR_504	PS_DDR_CKE1_504
AB27	VCCO_PSDDR_504	PS_DDR_CK1_504
AA24	VCCO_PSDDR_504	PS_DDR_CK_N1_504
AK26	VCCO_PSDDR_504	PS_DDR_CKE1_504
U19	VCC_PSDDR_PLL	PS_DDR_A0_504
U18	VCC_PSDDR_PLL	PS_DDR_A1_504
Y22	VCC_PSINTFP_DDR	PS_DDR_A2_504
AA21	VCC_PSINTFP_DDR	PS_DDR_A3_504
AA22	VCC_PSINTFP_DDR	PS_DDR_A4_504
		PS_DDR_A5_504
		PS_DDR_A6_504
		PS_DDR_A7_504
		PS_DDR_A8_504
		PS_DDR_A9_504
		PS_DDR_A10_504
		PS_DDR_A11_504
		PS_DDR_A12_504
		PS_DDR_A13_504
		PS_DDR_A14_504
		PS_DDR_A15_504
		PS_DDR_A16_504
		PS_DDR_A17_504
		PS_DDR_CS_N0_504
		PS_DDR_CS_N1_504
		PS_DDR_BA0_504
		PS_DDR_BA1_504
		PS_DDR_BG0_504
		PS_DDR_BG1_504
		PS_DDR_PARITY_504
		PS_DDR_RAM_RST_N_504
		PS_DDR_ACT_N_504
		PS_DDR_ALERT_N_504
		PS_DDR_ZQ_504
		PS_DDR_ODT0_504
		PS_DDR_ODT1_504

XCZU7EV-1FBVB900E

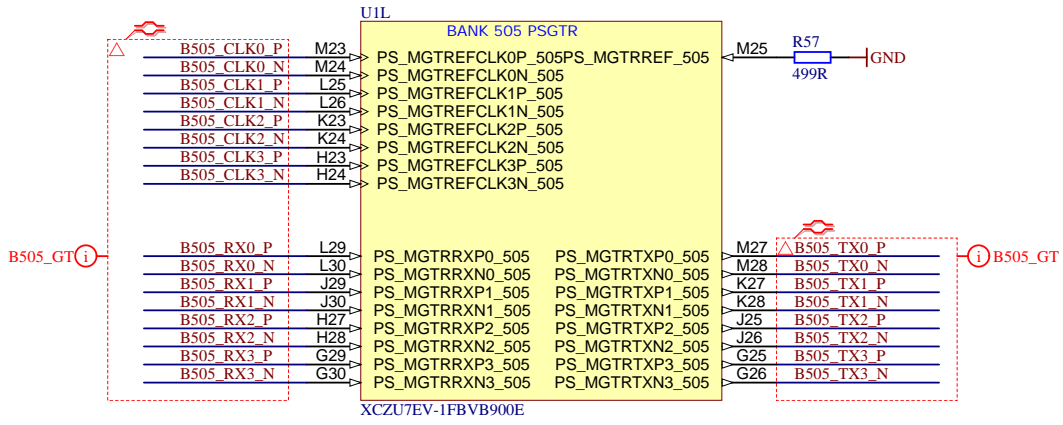
UIK BANK 504 PSDDR


AH22	PS_DDR_DQ0_504	PS_DDR_DQ32_504
AH21	PS_DDR_DQ1_504	PS_DDR_DQ33_504
AJ22	PS_DDR_DQ2_504	PS_DDR_DQ34_504
AK22	PS_DDR_DQ3_504	PS_DDR_DQ35_504
AK20	PS_DDR_DQ4_504	PS_DDR_DQ36_504
AJ19	PS_DDR_DQ5_504	PS_DDR_DQ37_504
AK19	PS_DDR_DQ6_504	PS_DDR_DQ38_504
AH19	PS_DDR_DQ7_504	PS_DDR_DQ39_504
AH23	PS_DDR_DQ8_504	PS_DDR_DQ40_504
AK23	PS_DDR_DQ9_504	PS_DDR_DQ41_504
AG24	PS_DDR_DQ10_504	PS_DDR_DQ42_504
AK24	PS_DDR_DQ11_504	PS_DDR_DQ43_504
AJ26	PS_DDR_DQ12_504	PS_DDR_DQ44_504
AK25	PS_DDR_DQ13_504	PS_DDR_DQ45_504
AG25	PS_DDR_DQ14_504	PS_DDR_DQ46_504
AH26	PS_DDR_DQ15_504	PS_DDR_DQ47_504
AD22	PS_DDR_DQ16_504	PS_DDR_DQ48_504
AE22	PS_DDR_DQ17_504	PS_DDR_DQ49_504
AF22	PS_DDR_DQ18_504	PS_DDR_DQ50_504
AG21	PS_DDR_DQ19_504	PS_DDR_DQ51_504
AD20	PS_DDR_DQ20_504	PS_DDR_DQ52_504
AF20	PS_DDR_DQ21_504	PS_DDR_DQ53_504
AE20	PS_DDR_DQ22_504	PS_DDR_DQ54_504
AG20	PS_DDR_DQ23_504	PS_DDR_DQ55_504
AG23	PS_DDR_DQ24_504	PS_DDR_DQ56_504
AF23	PS_DDR_DQ25_504	PS_DDR_DQ57_504
AF25	PS_DDR_DQ26_504	PS_DDR_DQ58_504
AE23	PS_DDR_DQ27_504	PS_DDR_DQ59_504
AC23	PS_DDR_DQ28_504	PS_DDR_DQ60_504
AD25	PS_DDR_DQ29_504	PS_DDR_DQ61_504
AD25	PS_DDR_DQ30_504	PS_DDR_DQ62_504
AC24	PS_DDR_DQ31_504	PS_DDR_DQ63_504
AJ21	PS_DDR_DQS_P0_504	PS_DDR_DM0_504
AK21	PS_DDR_DQS_N0_504	PS_DDR_DM1_504
AH24	PS_DDR_DQS_P1_504	PS_DDR_DM2_504
AJ24	PS_DDR_DQS_N1_504	PS_DDR_DM3_504
AC21	PS_DDR_DQS_P2_504	PS_DDR_DM4_504
AD21	PS_DDR_DQS_N2_504	PS_DDR_DM5_504
AD24	PS_DDR_DQS_P3_504	PS_DDR_DM6_504
AE24	PS_DDR_DQS_N3_504	PS_DDR_DM7_504
W24	PS_DDR_DQS_P4_504	PS_DDR_DM8_504
W25	PS_DDR_DQS_N4_504	
P25	PS_DDR_DQS_P5_504	
R25	PS_DDR_DQS_N5_504	
U29	PS_DDR_DQS_P6_504	
V29	PS_DDR_DQS_N6_504	
R28	PS_DDR_DQS_P7_504	
R29	PS_DDR_DQS_N7_504	
Y28	PS_DDR_DQS_P8_504	
AA28	PS_DDR_DQS_N8_504	

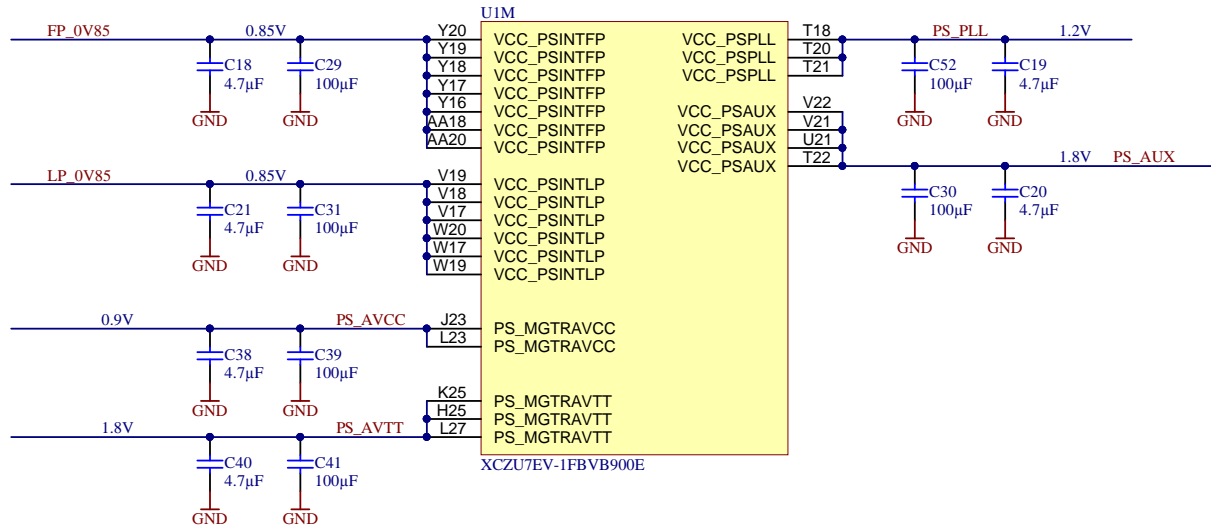
XCZU7EV-1FBVB900E




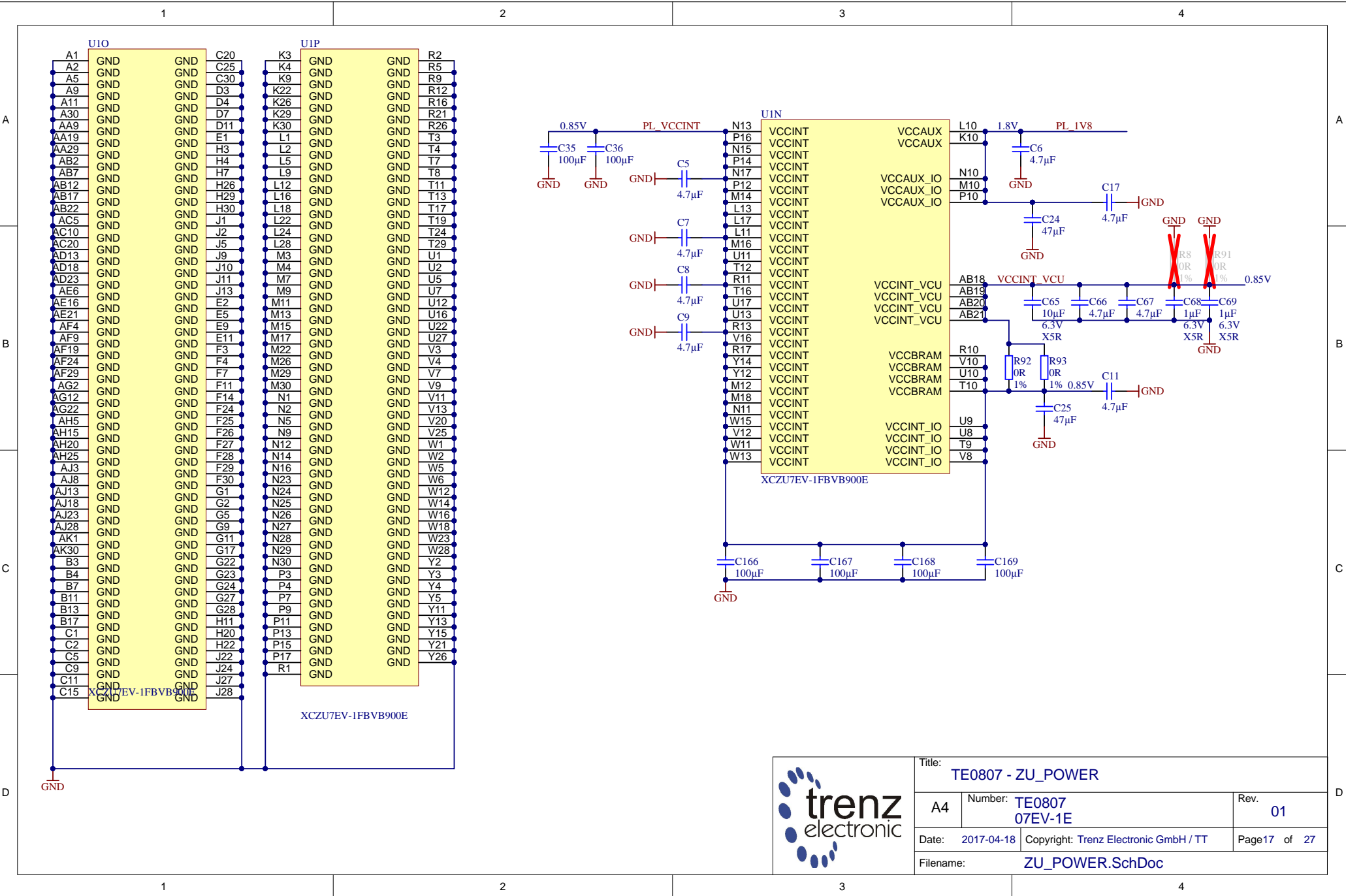
Title: TE0807 - PS_DDR			
A4	Number: TE0807 07EV-1E	Rev. 01	
Date: 2017-04-18	Copyright: Trenz Electronic GmbH / TT	Page 14 of 27	
Filename: PS_DDR.SchDoc			



	Title: TE0807 - PS_GT		
	A4	Number: TE0807 07EV-1E	Rev. 01
	Date: 2017-04-18	Copyright: Trenz Electronic GmbH / TT	Page 15 of 27
	Filename: B_PS_GT.SchDoc		



		Title: TE0807 - ZU_PS_POWER	
		A4	Number: TE0807 07EV-1E
Date: 2017-04-18		Copyright: Trenz Electronic GmbH / TT	
Filename: ZU_PS_POWER.SchDoc		Page 16 of 27	



Title: TE0807 - ZU_POWER		
A4	Number: TE0807 07EV-1E	Rev. 01
Date: 2017-04-18	Copyright: Trenz Electronic GmbH / TT	Page 17 of 27
Filename: ZU_POWER.SchDoc		

1

2

3

4

A

A

B

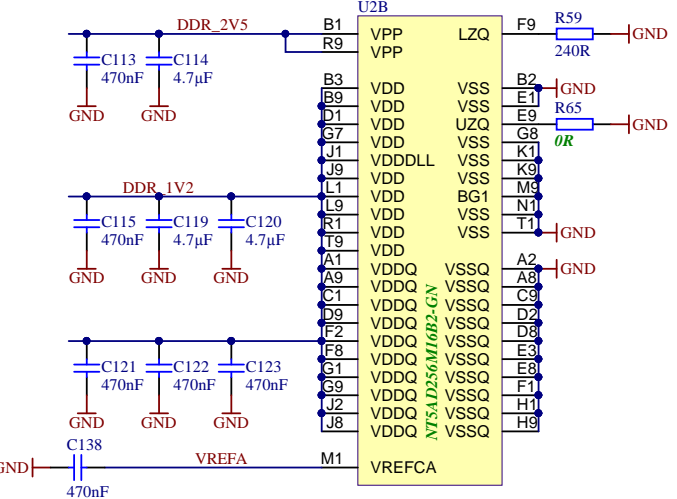
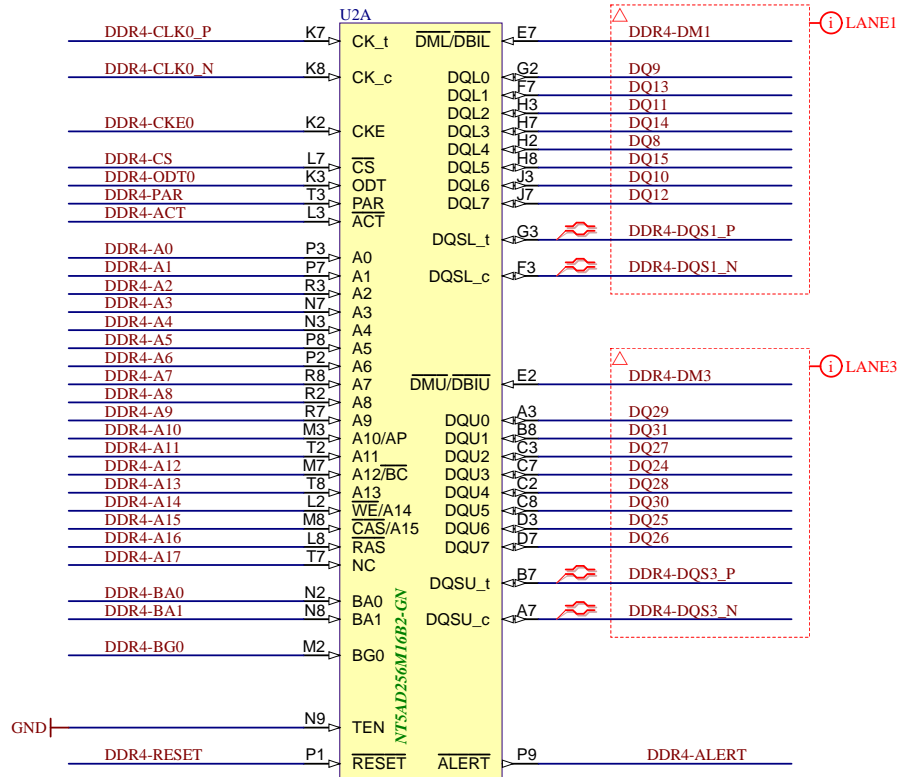
B

C

C

D

D



Title: TE0807 - DDR4_1_RAM		
A4	Number: TE0807 07EV-1E	Rev. 01
Date: 2017-04-18	Copyright: Trenz Electronic GmbH / TT	Page18 of 27
Filename: DDR4-RAM.SchDoc		

1

2

3

4

1

2

3

4

A

A

B

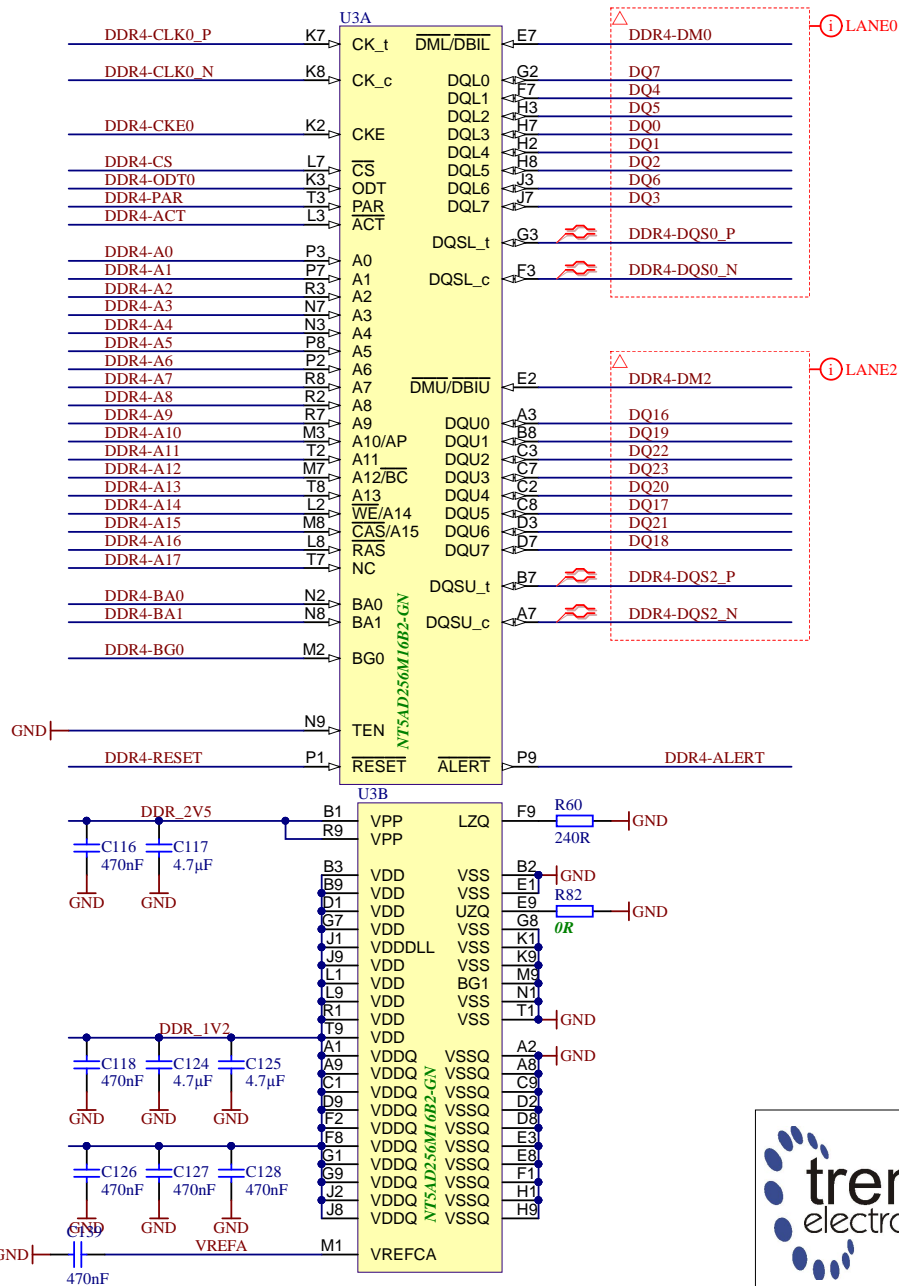

B

C

C

D

D

Title: TE0807 - DDR4_2_RAM		
A4	Number: TE0807 07EV-1E	Rev. 01
Date: 2017-04-18	Copyright: Trenz Electronic GmbH / TT	Page 19 of 27
Filename: DDR4-RAM_2.SchDoc		

1

2

3

4

1

2

3

4

A

A

B

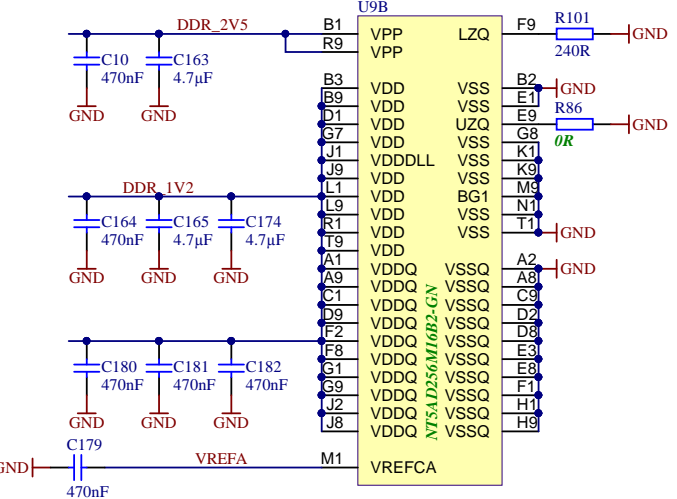
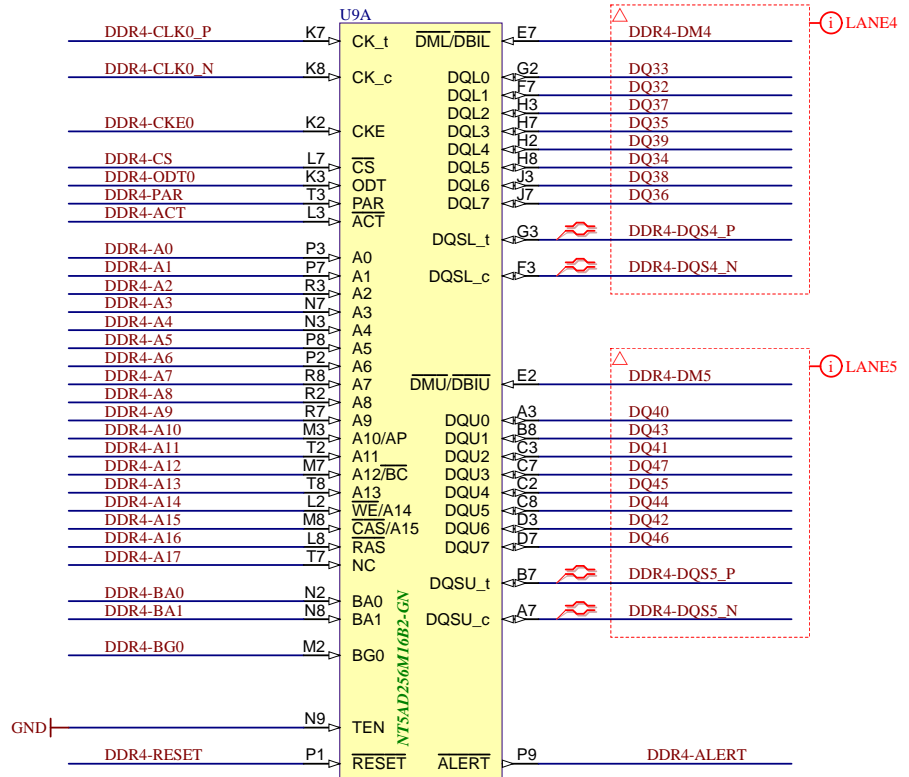
B

C

C

D

D



Title: TE0807 - DDR4_3_RAM		
A4	Number: TE0807 07EV-1E	Rev. 01
Date: 2017-04-18	Copyright: Trenz Electronic GmbH / TT	Page20 of 27
Filename: DDR4-RAM_3.SchDoc		

1

2

3

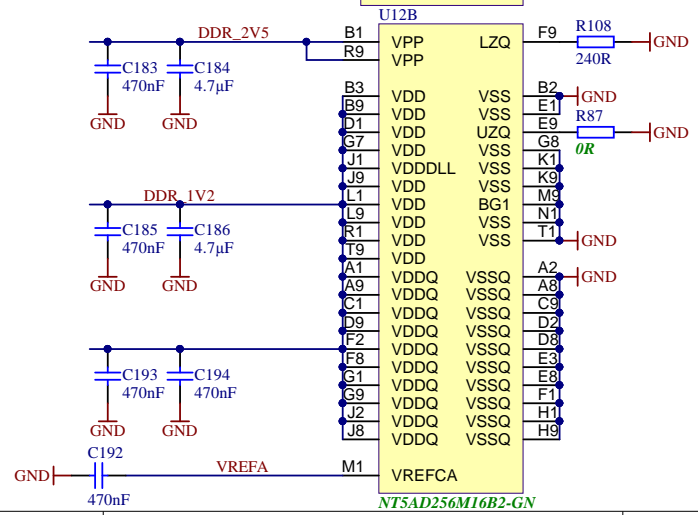
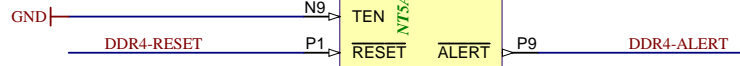
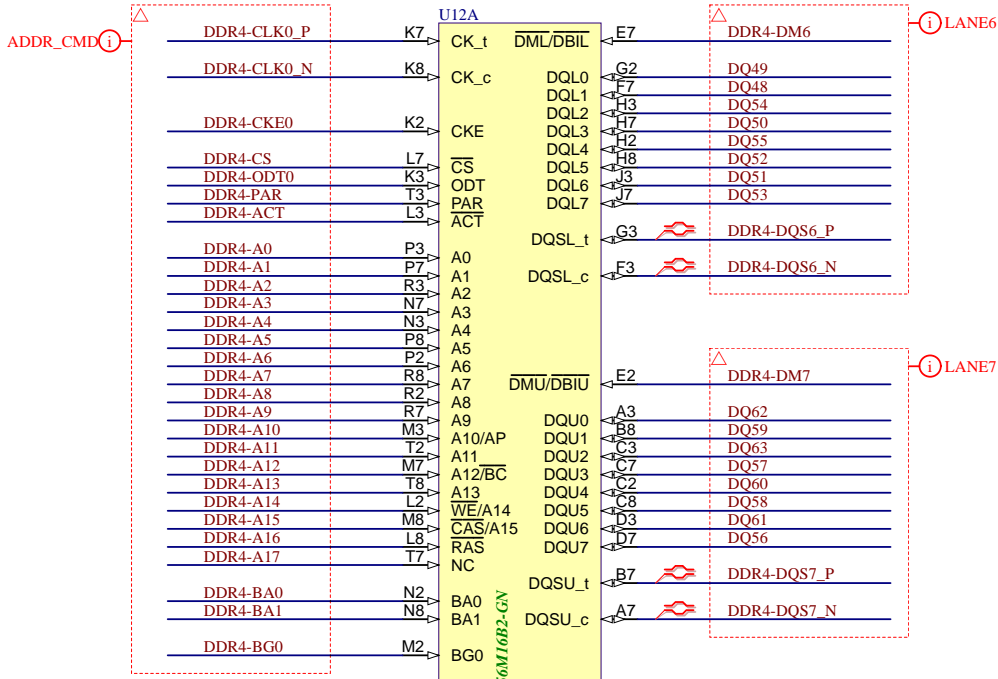
4

1

2

3

4



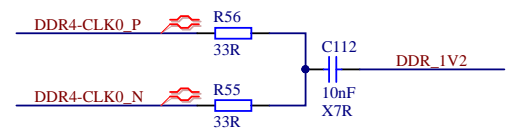
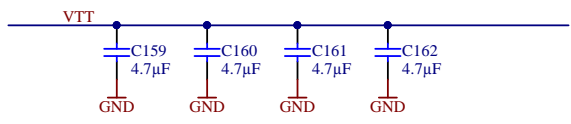
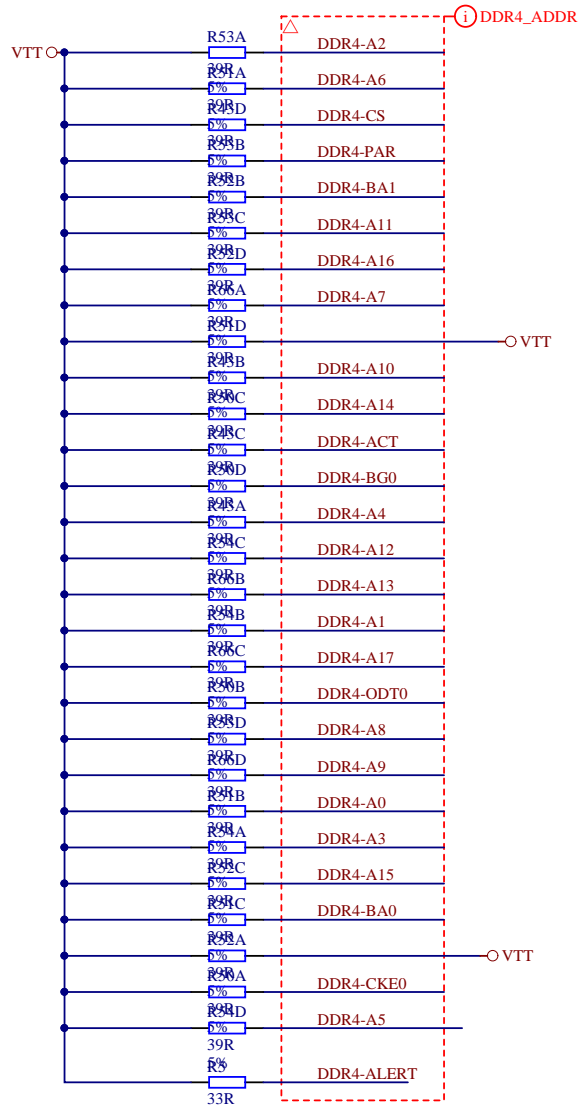
Title: TE0807 - DDR4_4_RAM		
A4	Number: TE0807 07EV-1E	Rev. 01
Date: 2017-04-18	Copyright: Trenz Electronic GmbH / TT	Page 21 of 27
Filename: DDR4-RAM_4.SchDoc		


1

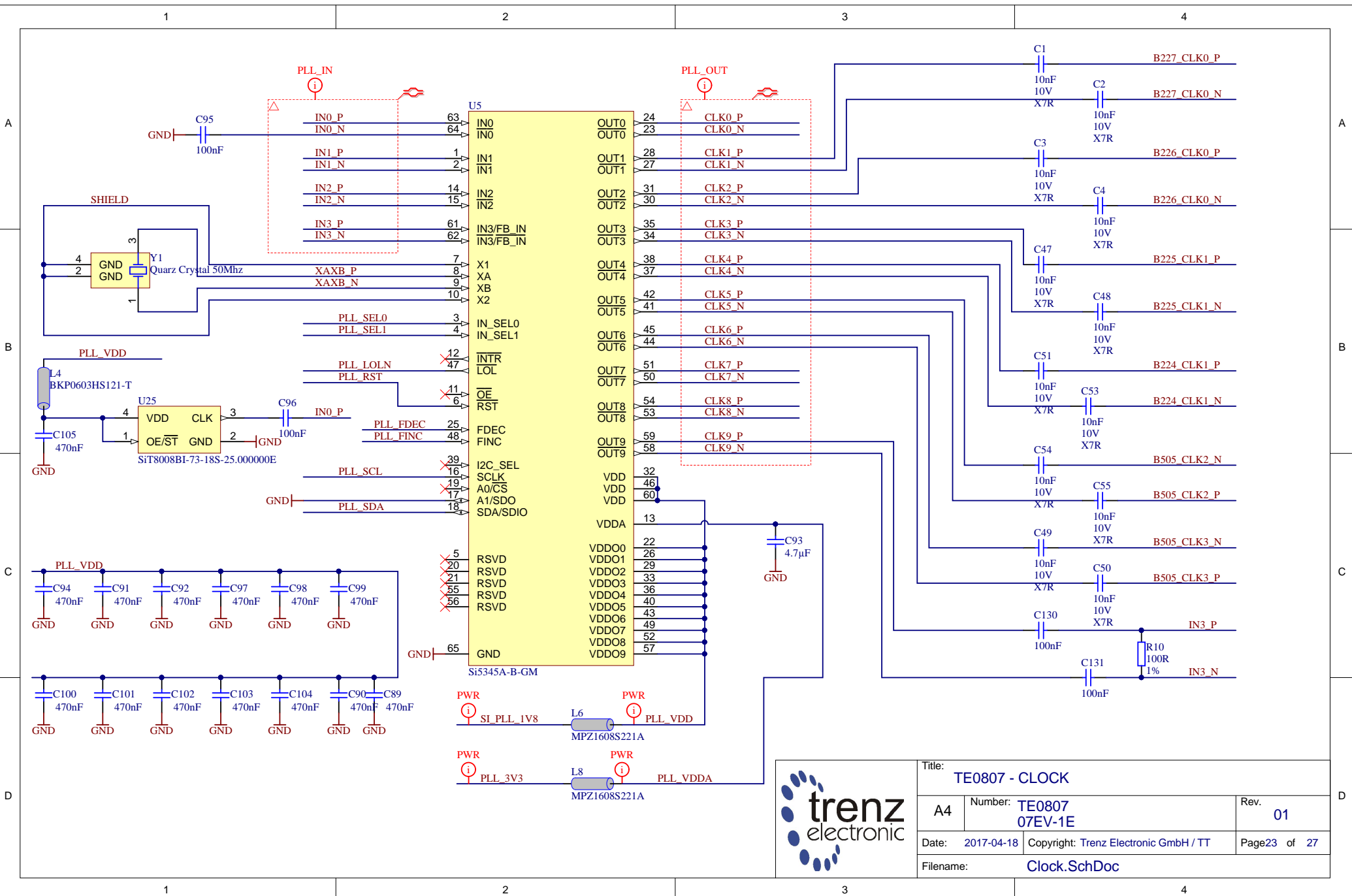
2

3

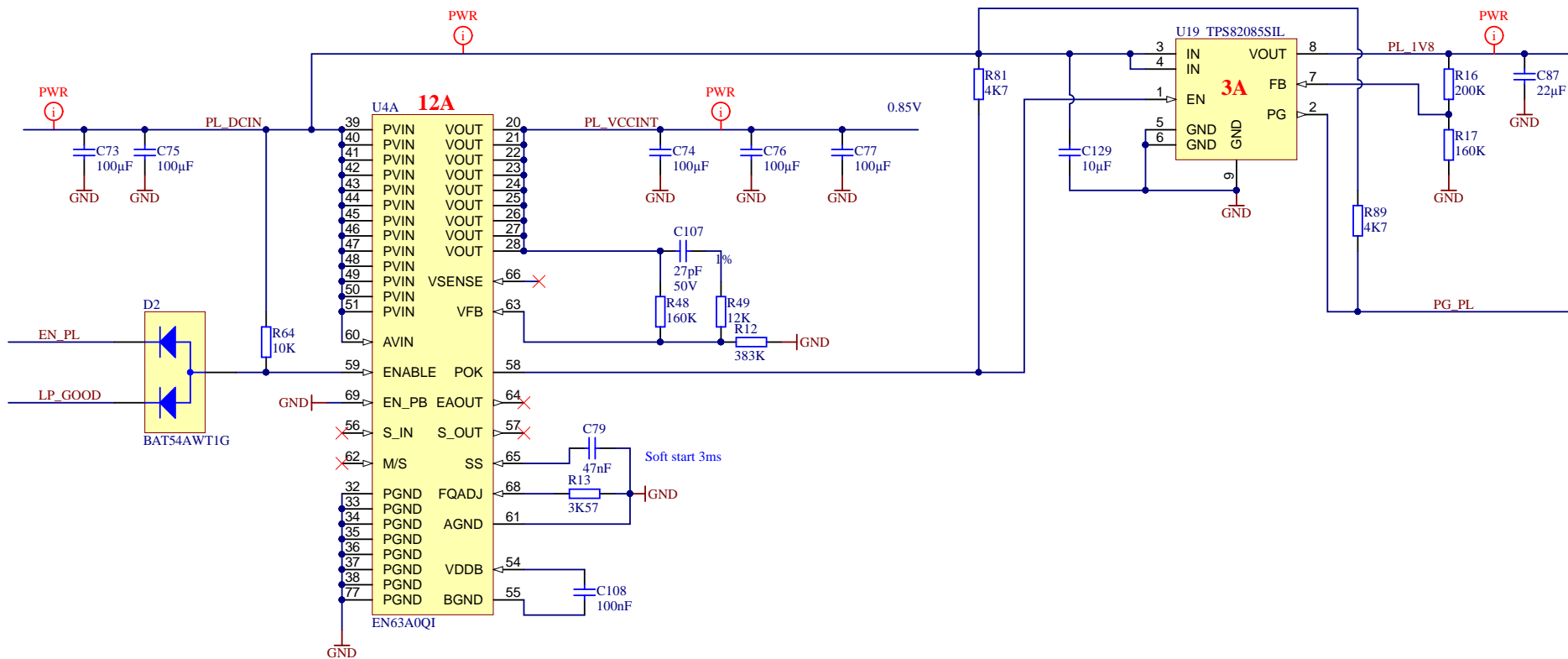
4



		Title: TE0807 - DDR4_TERM	
		A4	Number: TE0807 07EV-1E
Date: 2017-04-18		Copyright: Trenz Electronic GmbH / TT	
Filename: DDR4-TERM.SchDoc		Page22 of 27	



Title: TE0807 - CLOCK		
A4	Number: TE0807 07EV-1E	Rev. 01
Date: 2017-04-18	Copyright: Trenz Electronic GmbH / TT	Page23 of 27
Filename: Clock.SchDoc		



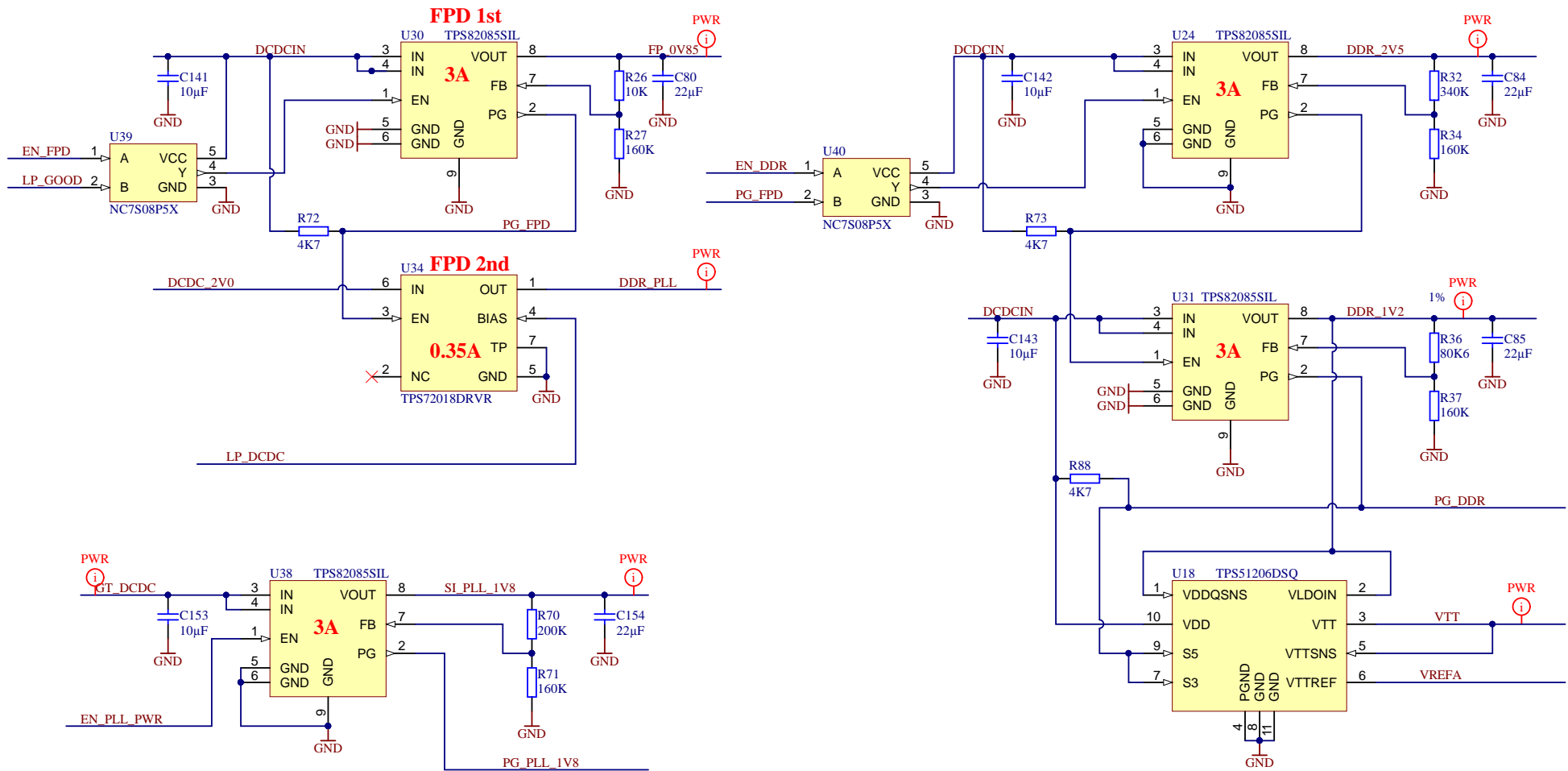
U4B

1	NC	NC	17
2	NC	NC	18
3	NC	NC	19
4	NC	NC	29
5	NC	NC	30
6	NC	NC(SW)	31
7	NC	NC(SW)	52
8	NC	NC	53
9	NC	NC	67
10	NC	NC(SW)	70
11	NC	NC(SW)	71
12	NC	NC(SW)	72
13	NC	NC	73
14	NC	NC	74
15	NC	NC	75
16	NC	NC	76

EN63A0QI



Title: TE0807 - POWER		
A4	Number: TE0807 07EV-1E	Rev. 01
Date: 2017-04-18	Copyright: Trenz Electronic GmbH / TT	Page24 of 27
Filename: POWER.SchDoc		



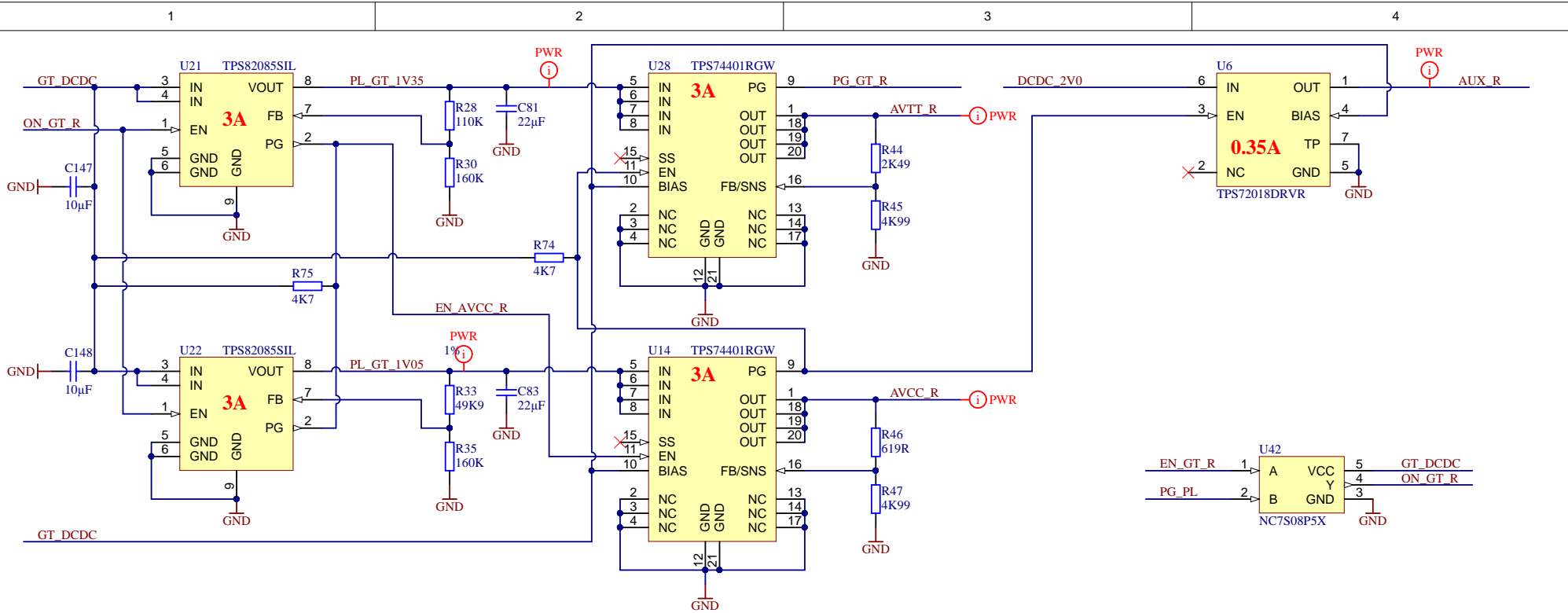
Title: TE0807 - POWER_2		
A4	Number: TE0807 07EV-1E	Rev. 01
Date: 2017-04-18	Copyright: Trenz Electronic GmbH / TT	Page 25 of 27
Filename: POWER_2.SchDoc		

1

2

3

4



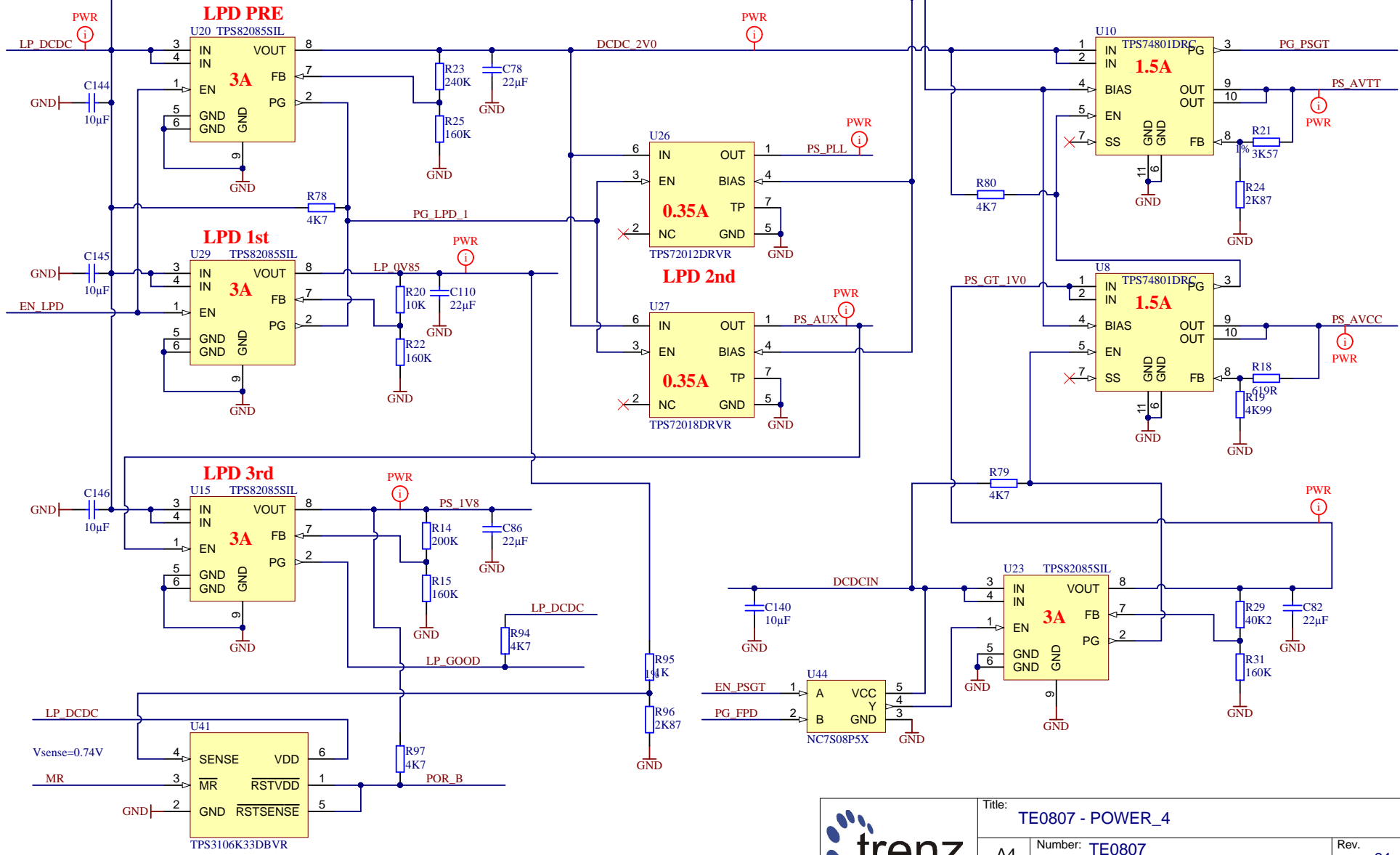
Title: TE0807 - POWER_3		
A4	Number: TE0807 07EV-1E	Rev. 01
Date: 2017-04-18	Copyright: Trenz Electronic GmbH / TT	Page26 of 27
Filename: POWER_3.SchDoc		

1

2

3

4



	Title: TE0807 - POWER_4	
	A4	Number: TE0807 07EV-1E
	Date: 2017-04-18	Copyright: Trenz Electronic GmbH / TT
	Filename: POWER_4.SchDoc	

Rev. 01

Page 27 of 27