

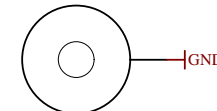
1

2

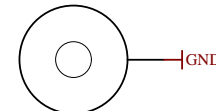
3

4

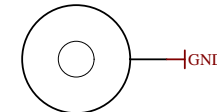
U_J1 J1.SchDoc	U_B_PS_GT B_PS_GT.SchDoc	U_DDR4-TERM DDR4-TERM.SchDoc
U_J2 J2.SchDoc	U_PS_DDR PS_DDR.SchDoc	U_ZU_POWER ZU_POWER.SchDoc
U_J3 J3.SchDoc	U_B_MIO B_MIO.SchDoc	U_ZU_PS_POWER ZU_PS_POWER.SchDoc
U_J4 J4.SchDoc	U_B_HD B_HD.SchDoc	U_POWER POWER.SchDoc
U_DDR4-TERM DDR4-TERM.SchDoc	U_Clock Clock.SchDoc	U_POWER_2 POWER_2.SchDoc
U_B64 B64.SchDoc	U_CONFIG CONFIG.SchDoc	U_POWER_3 POWER_3.SchDoc
U_B65 B65.SchDoc	U_DDR4-RAM DDR4-RAM.SchDoc	U_POWER_4 POWER_4.SchDoc
U_B66 B66.SchDoc	U_DDR4-RAM_2 DDR4-RAM_2.SchDoc	
U_B_GT B_GT.SchDoc	U_DDR4-RAM_3 DDR4-RAM_3.SchDoc	
U_B_GT_2 B_GT_2.SchDoc	U_DDR4-RAM_4 DDR4-RAM_4.SchDoc	



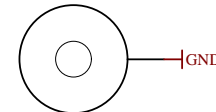
Mount.Hole 3.2mm für Unterlegscheibe



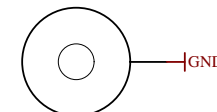
Mount.Hole 3.2mm für Unterlegscheibe



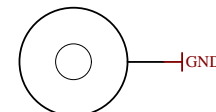
Mount.Hole 3.2mm für Unterlegscheibe



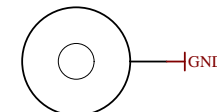
Mount.Hole 3.2mm für Unterlegscheibe



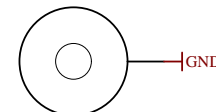
Mount.Hole 3.2mm für Unterlegscheibe



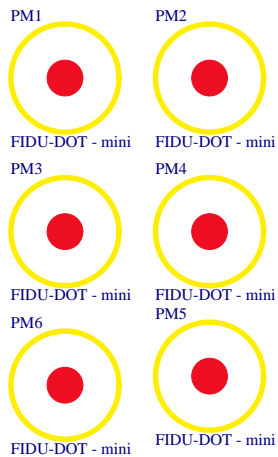
Mount.Hole 3.2mm für Unterlegscheibe



Mount.Hole 3.2mm für Unterlegscheibe



Mount.Hole 3.2mm für Unterlegscheibe



LOGO1
TE Logo PRINT Layer
LOGO PRINT

Serial
Serial
Serialnumber 6,3 x 6.3mm



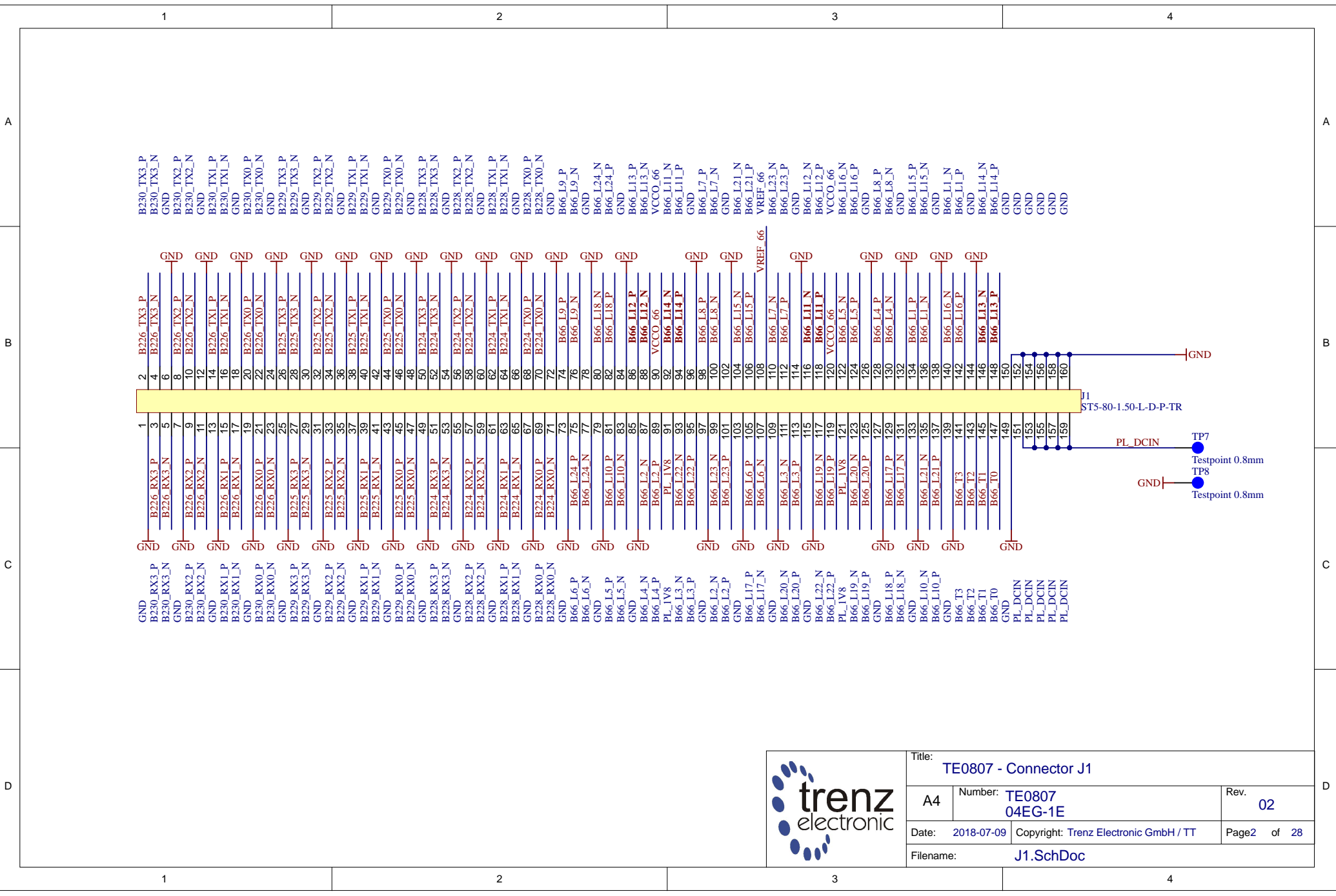

Title: TE0807		
A4	Number: TE0807 04EG-1E	Rev. 02
Date: 2018-07-09	Copyright: Trenz Electronic GmbH / TT	Page1 of 28
Filename: TE0807.SchDoc		

1

2

3

4

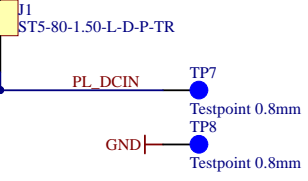
Title: TE0807 - Connector J1		
A4	Number: TE0807 04EG-1E	Rev. 02
Date: 2018-07-09	Copyright: Trenz Electronic GmbH / TT	Page2 of 28
Filename: J1.SchDoc		

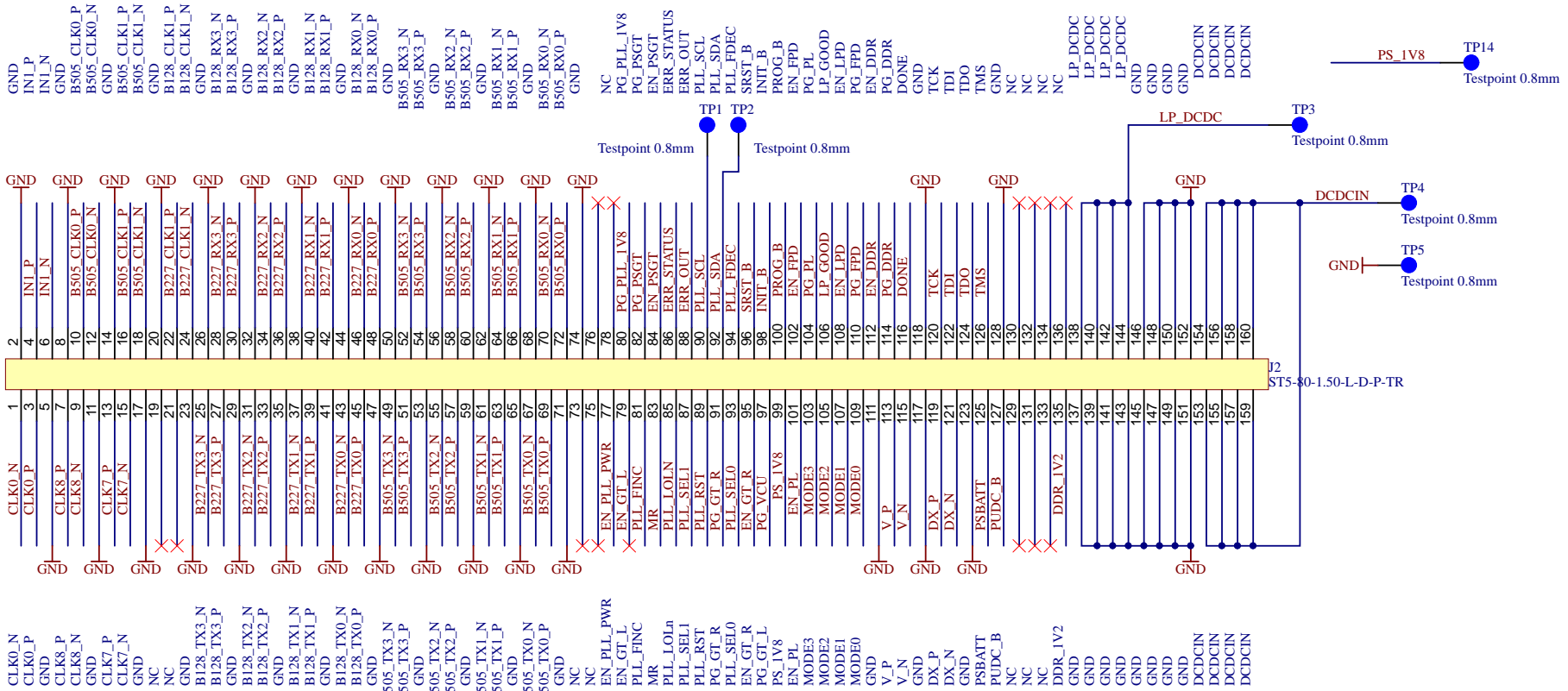
1
2
3
4
5
6
7
8
9
10
11
12
13
14
15
16
17
18
19
20
21
22
23
24
25
26
27
28
29
30
31
32
33
34
35
36
37
38
39
40
41
42
43
44
45
46
47
48
49
50
51
52
53
54
55
56
57
58
59
60
61
62
63
64
65
66
67
68
69
70
71
72
73
74
75
76
77
78
79
80
81
82
83
84
85
86
87
88
89
90
91
92
93
94
95
96
97
98
99
100
101
102
103
104
105
106
107
108
109
110
111
112
113
114
115
116
117
118
119
120
121
122
123
124
125
126
127
128
129
130
131
132
133
134
135
136
137
138
139
140
141
142
143
144
145
146
147
148
149
150
151
152
153
154
155
156
157
158
159
160

GND
B230_RX3_P
B230_RX3_N
GND
B230_RX2_P
B230_RX2_N
GND
B230_RX1_P
B230_RX1_N
GND
B230_RX0_P
B230_RX0_N
GND
B229_RX3_P
B229_RX3_N
GND
B229_RX2_P
B229_RX2_N
GND
B229_RX1_P
B229_RX1_N
GND
B229_RX0_P
B229_RX0_N
GND
B228_RX3_P
B228_RX3_N
GND
B228_RX2_P
B228_RX2_N
GND
B228_RX1_P
B228_RX1_N
GND
B228_RX0_P
B228_RX0_N
GND
B66_L6_P
B66_L6_N
GND
B66_L5_P
B66_L5_N
GND
B66_L4_P
B66_L4_N
GND
PL_IV8
B66_L3_N
B66_L3_P
GND
B66_L2_N
B66_L2_P
GND
B66_L17_P
B66_L17_N
GND
B66_L20_N
B66_L20_P
GND
B66_L22_N
B66_L22_P
GND
PL_IV8
B66_L19_N
B66_L19_P
GND
B66_L18_P
B66_L18_N
GND
B66_L10_N
B66_L10_P
GND
B66_T3
B66_T2
B66_T1
B66_T0
GND
PL_DCN
PL_DCN
PL_DCN
PL_DCN

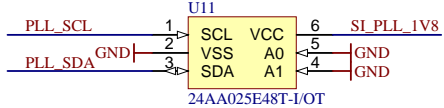
2 B226_TX3_P
4 B226_TX3_N
6
8 B226_TX2_P
10 B226_TX2_N
12
14 B226_TX1_P
16 B226_TX1_N
18
20 B226_TX0_P
22 B226_TX0_N
24
26 B225_TX3_P
28 B225_TX3_N
30
32 B225_TX2_P
34 B225_TX2_N
36
38 B225_TX1_P
40 B225_TX1_N
42
44 B225_TX0_P
46 B225_TX0_N
48
50 B224_TX3_P
52 B224_TX3_N
54
56 B224_TX2_P
58 B224_TX2_N
60
62 B224_TX1_P
64 B224_TX1_N
66
68 B224_TX0_P
70 B224_TX0_N
72
74 B66_L9_P
76 B66_L9_N
78
80 B66_L18_N
82 B66_L18_P
84
86 B66_L12_P
88 B66_L12_N
90 VCCO_66
92 B66_L14_N
94 B66_L14_P
96
98 B66_L8_P
100 B66_L8_N
102
104 B66_L15_N
106 B66_L15_P
108 VREF_66
110 B66_L7_N
112 B66_L7_P
114
116 B66_L11_N
118 B66_L11_P
120 VCCO_66
122 B66_L5_N
124 B66_L5_P
126
128 B66_L4_P
130 B66_L4_N
132
134 B66_L1_P
136 B66_L1_N
138
140 B66_L16_N
142 B66_L16_P
144
146 B66_L13_N
148 B66_L13_P
150
152
154
156
158
160

B230_TX3_P
B230_TX3_N
GND
B230_TX2_P
B230_TX2_N
GND
B230_TX1_P
B230_TX1_N
GND
B230_TX0_P
B230_TX0_N
GND
B229_TX3_P
B229_TX3_N
GND
B229_TX2_P
B229_TX2_N
GND
B229_TX1_P
B229_TX1_N
GND
B229_TX0_P
B229_TX0_N
GND
B228_TX3_P
B228_TX3_N
GND
B228_TX2_P
B228_TX2_N
GND
B228_TX1_P
B228_TX1_N
GND
B228_TX0_P
B228_TX0_N
GND
B66_L9_P
B66_L9_N
GND
B66_L24_N
B66_L24_P
GND
B66_L13_P
B66_L13_N
VCCO_66
B66_L11_N
B66_L11_P
GND
B66_L7_P
B66_L7_N
GND
B66_L21_N
B66_L21_P
GND
VREF_66
B66_L23_N
B66_L23_P
GND
B66_L12_N
B66_L12_P
VCCO_66
B66_L16_N
B66_L16_P
GND
B66_L8_P
B66_L8_N
GND
B66_L15_P
B66_L15_N
GND
B66_L1_N
B66_L1_P
GND
B66_L14_N
B66_L14_P
GND
GND
GND
GND
GND





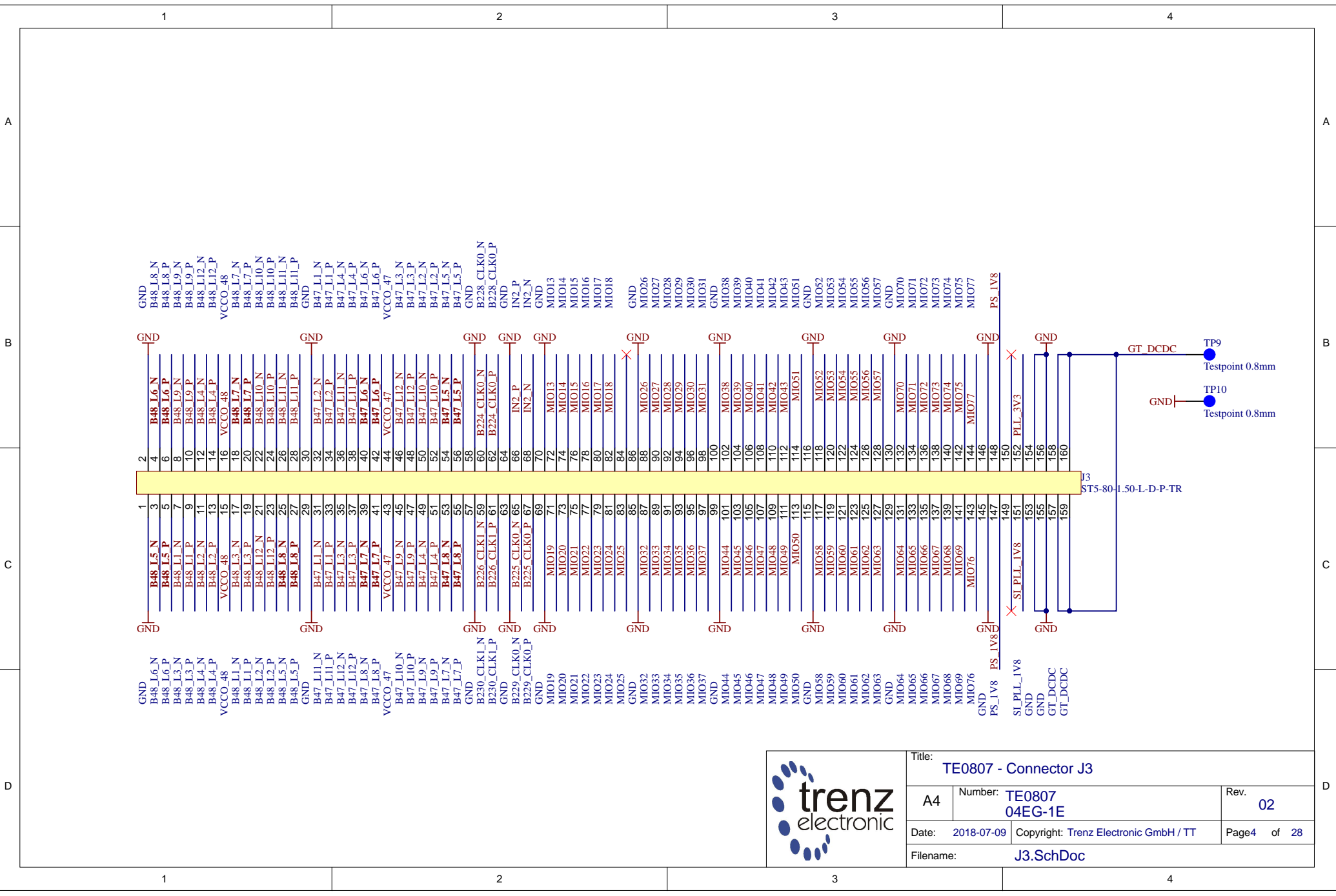

EEPROM for MAC



Slave address: 1010000x

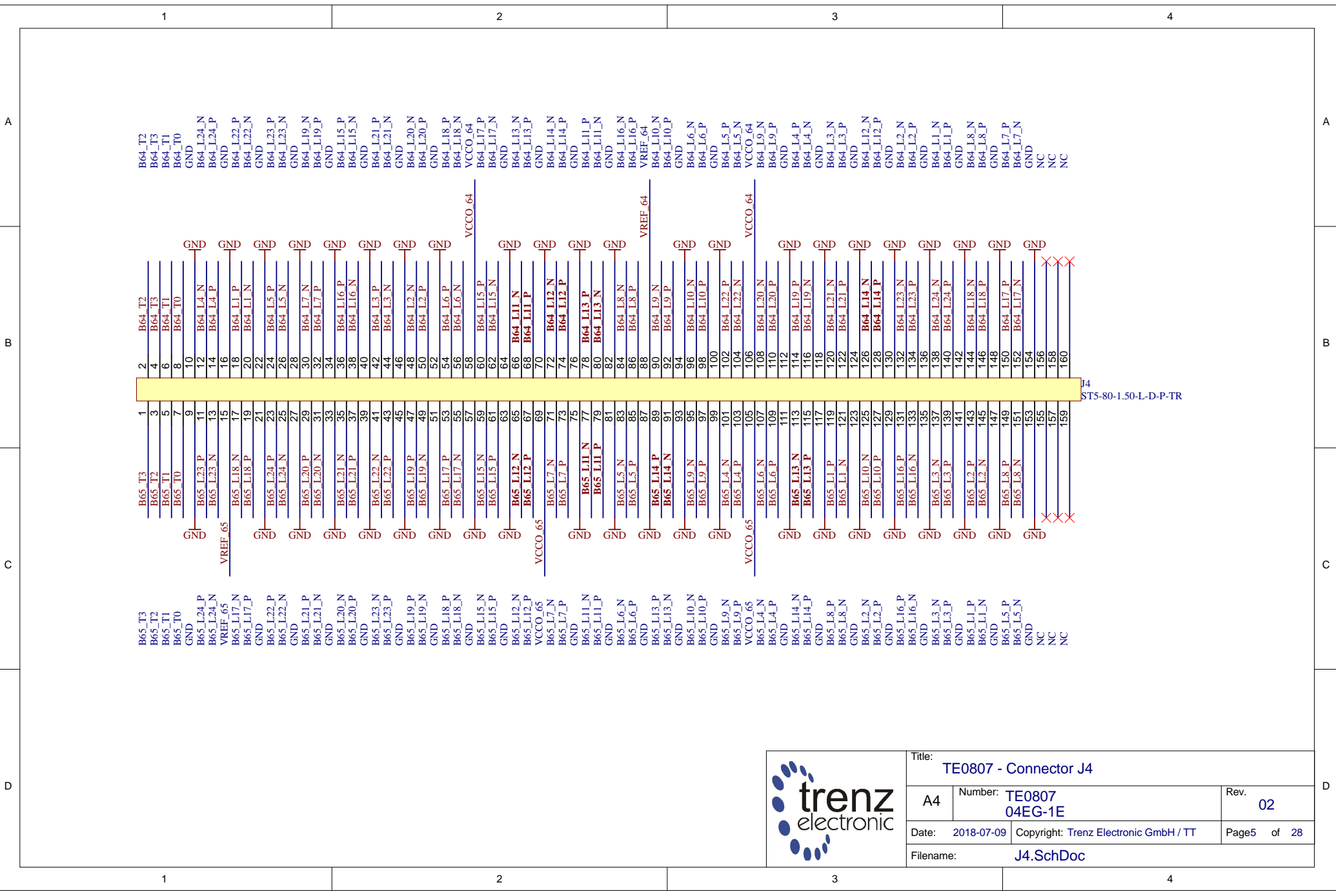



Title: TE0807 - Connector J2		
A4	Number: TE0807 04EG-1E	Rev. 02
Date: 2018-07-09	Copyright: Trenz Electronic GmbH / TT	Page3 of 28
Filename: J2.SchDoc		

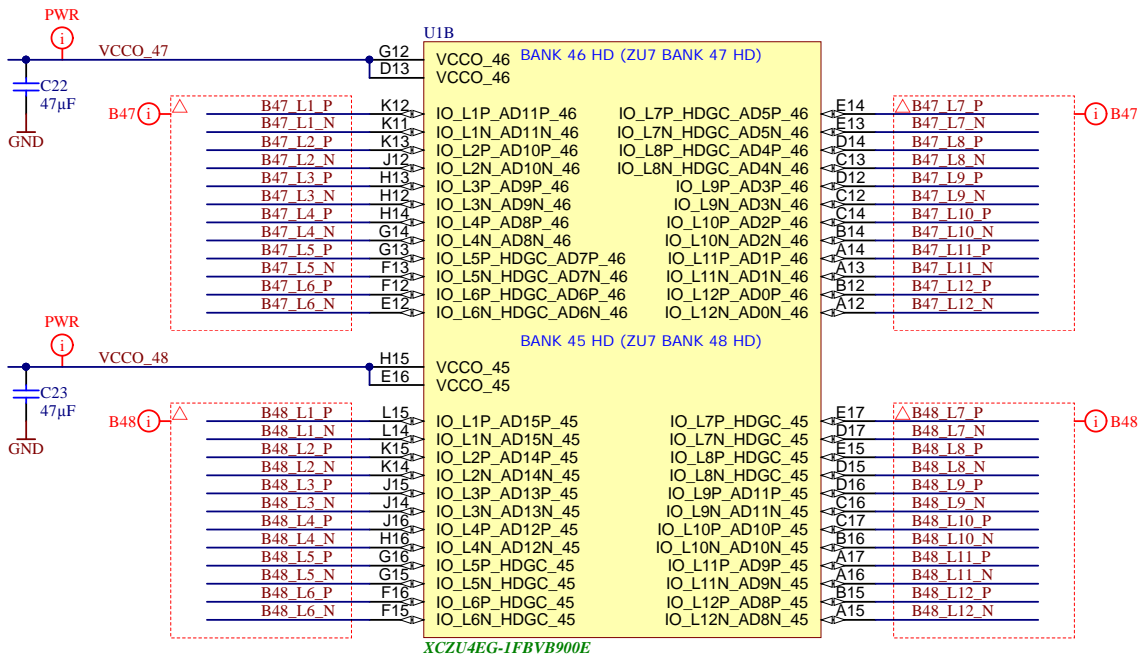
Title: TE0807 - Connector J3		
A4	Number: TE0807 04EG-1E	Rev. 02
Date: 2018-07-09	Copyright: Trenz Electronic GmbH / TT	Page4 of 28
Filename: J3.SchDoc		

A
B
C
D

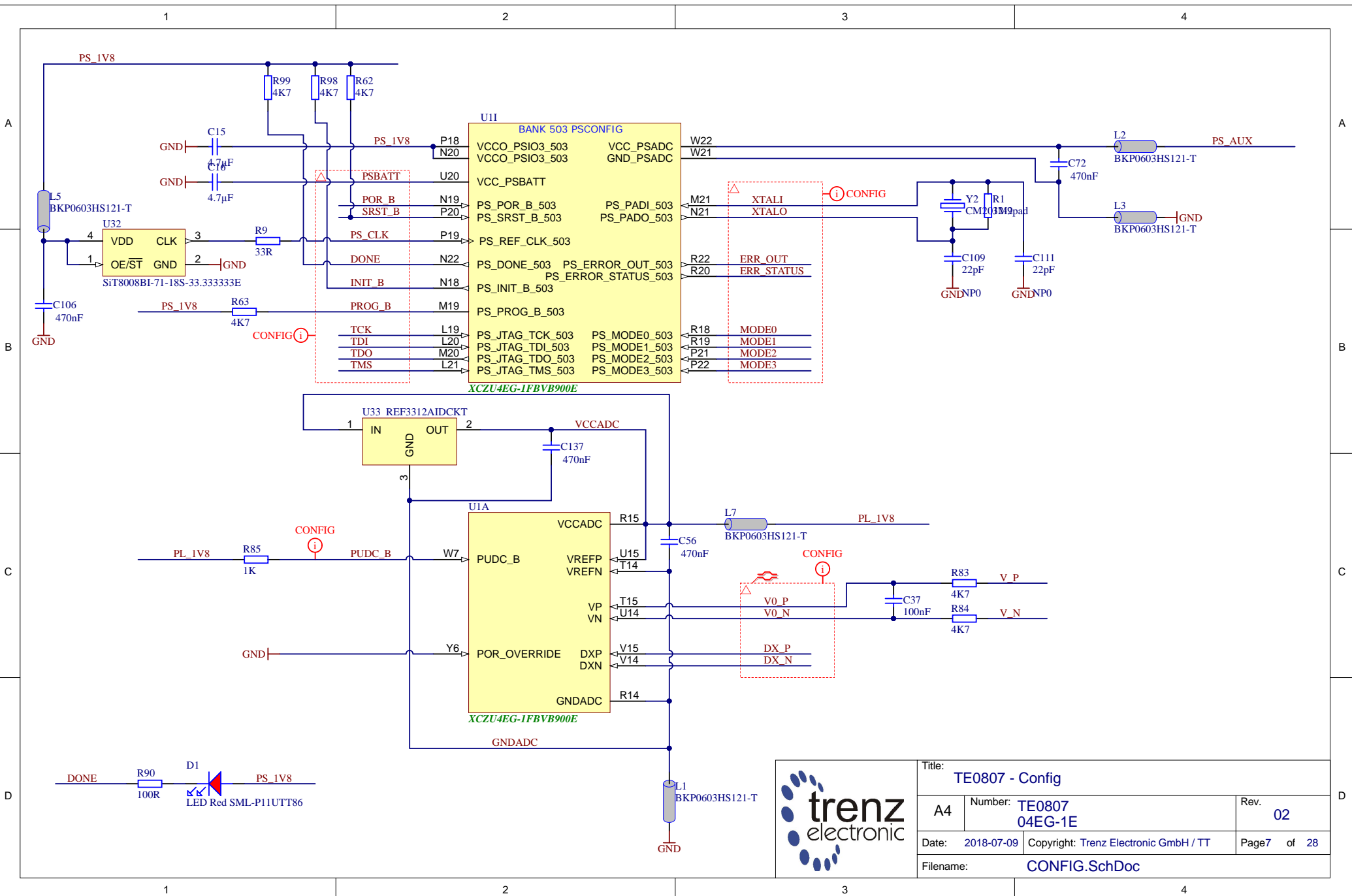



Title: TE0807 - Connector J4		
A4	Number: TE0807 04EG-1E	Rev. 02
Date: 2018-07-09	Copyright: Trenz Electronic GmbH / TT	Page5 of 28
Filename: J4.SchDoc		

1 2 3 4



Title: TE0807 - B47HD and B48HD		
A4	Number: TE0807 04EG-1E	Rev. 02
Date: 2018-07-09	Copyright: Trenz Electronic GmbH / TT	Page6 of 28
Filename: B_HD.SchDoc		



Title: TE0807 - Config		
A4	Number: TE0807 04EG-1E	Rev. 02
Date: 2018-07-09	Copyright: Trenz Electronic GmbH / TT	Page 7 of 28
Filename: CONFIG.SchDoc		

1

2

3

4

A

A

B

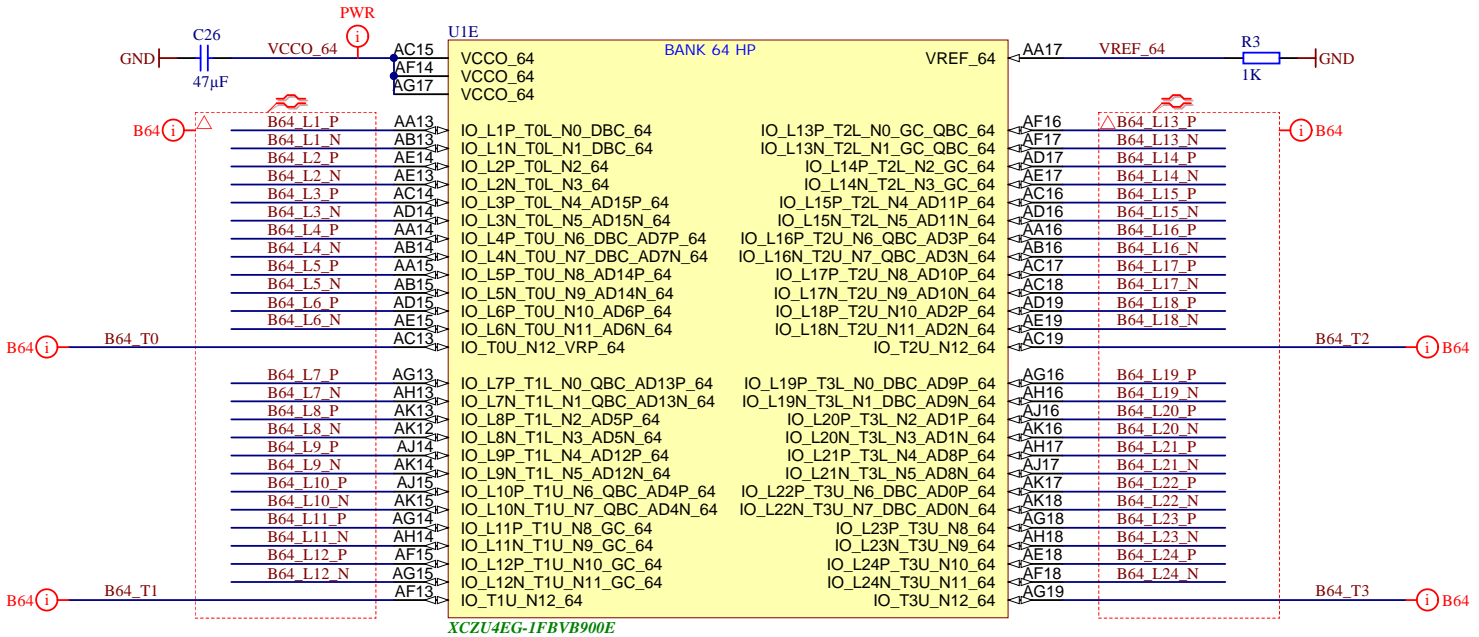
B


C

C

D

D



	Title: TE0807 - B64		
	A4	Number: TE0807 04EG-1E	Rev. 02
	Date: 2018-07-09	Copyright: Trenz Electronic GmbH / TT	Page8 of 28
	Filename: B64.SchDoc		

1

2

3

4

1

2

3

4

A

A

B

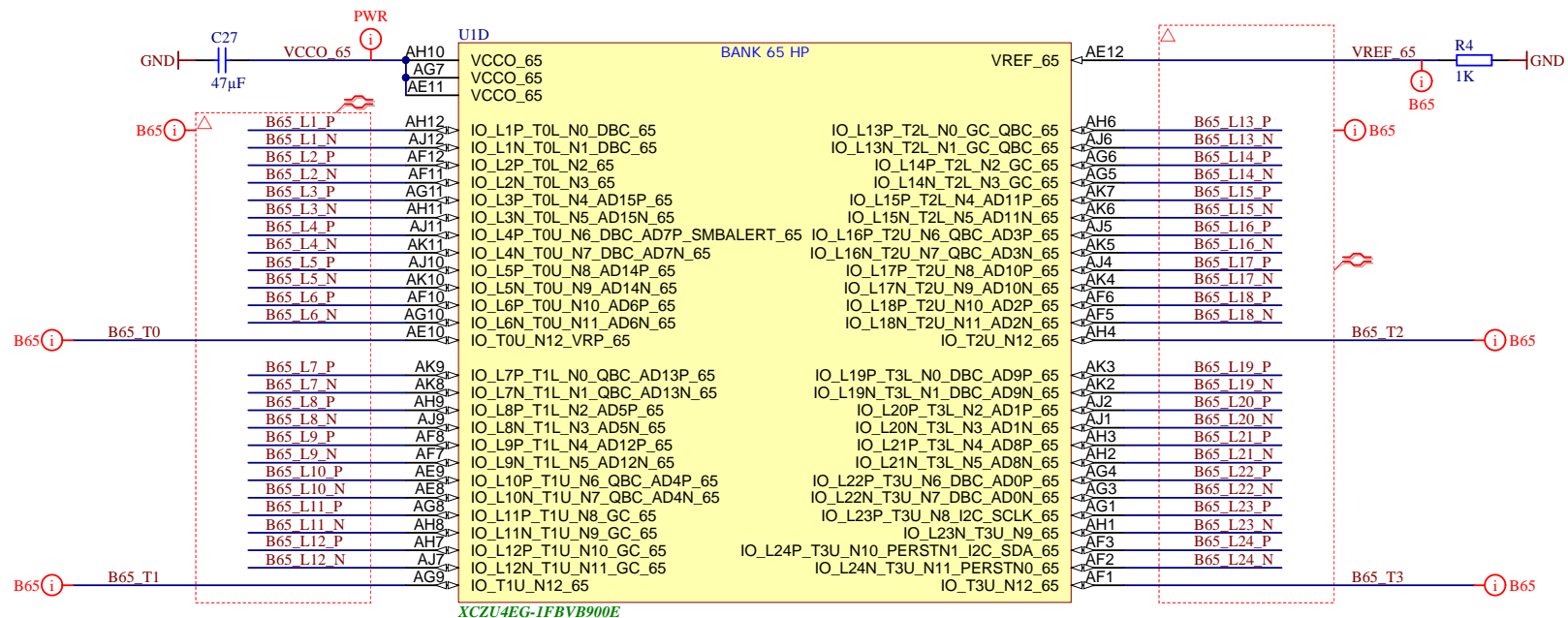
B

C

C

D

D



XCZU4EG-1FBV900E

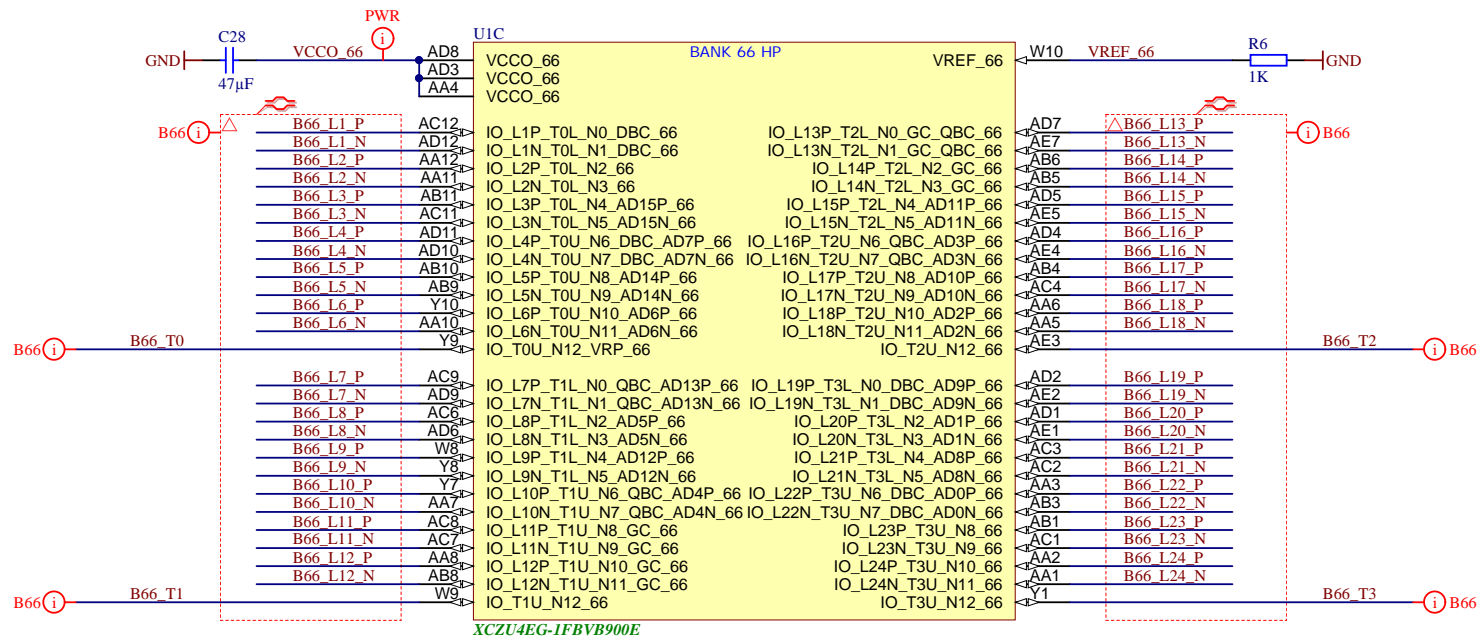
	Title: TE0807 - B65		
	A4	Number: TE0807 04EG-1E	Rev. 02
	Date: 2018-07-09	Copyright: Trenz Electronic GmbH / TT	Page9 of 28
	Filename: B65.SchDoc		

1

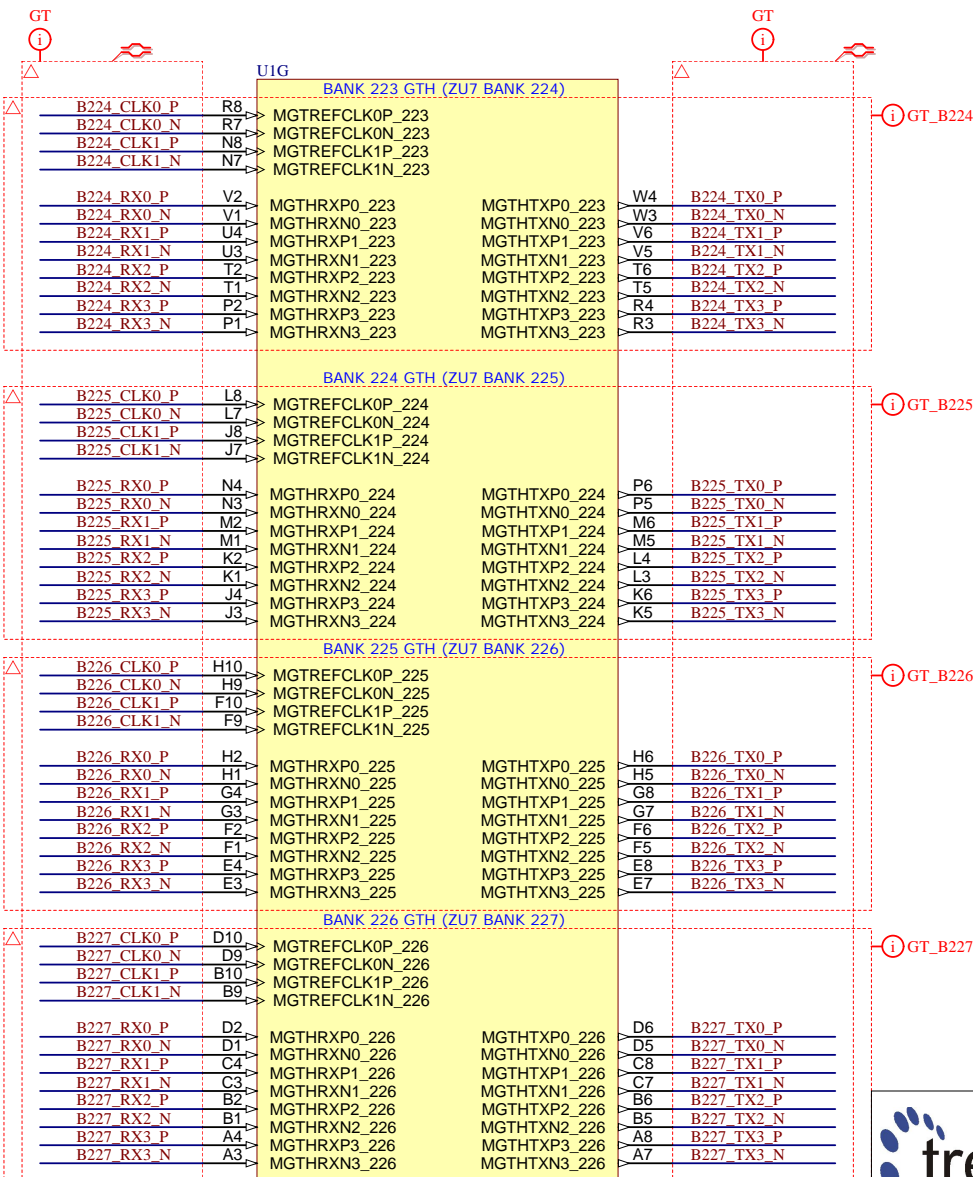
2

3

4



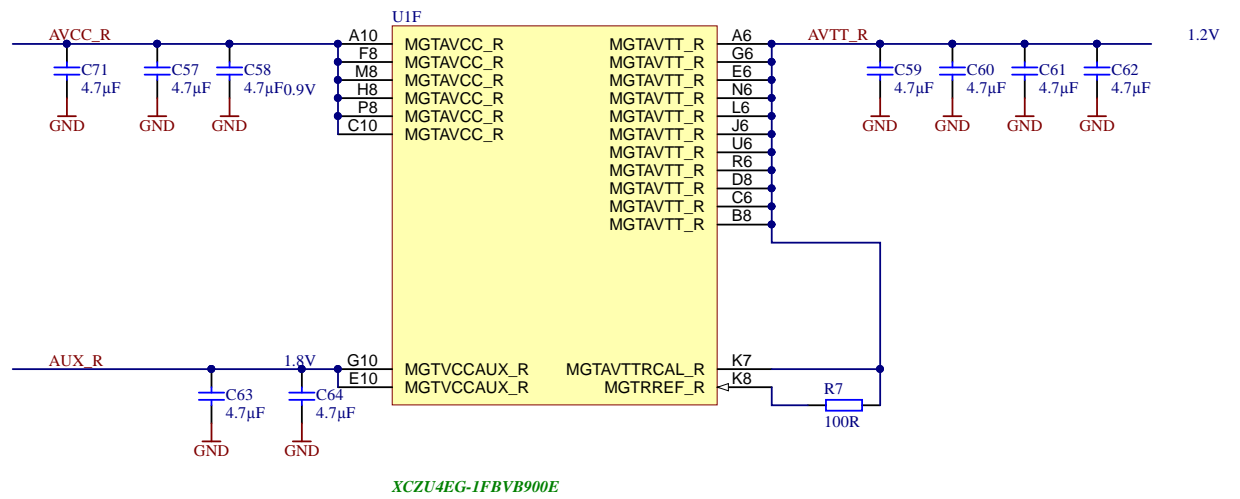
	Title: TE0807 - B66		
	A4	Number: TE0807 04EG-1E	Rev. 02
	Date: 2018-07-09	Copyright: Trenz Electronic GmbH / TT	
	Page 10 of 28		
Filename: B66.SchDoc			



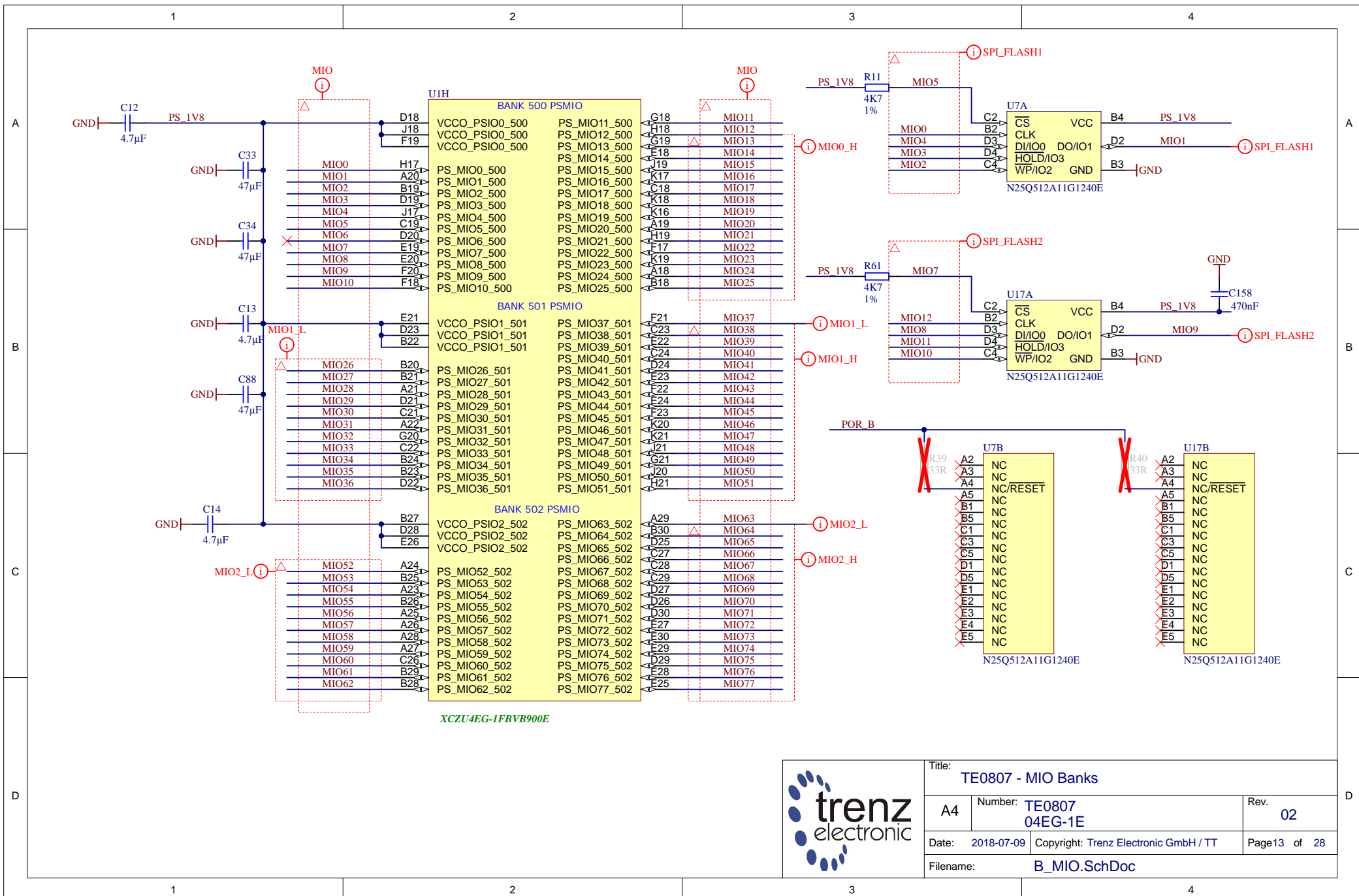
XCZU4EG-1FBV900E



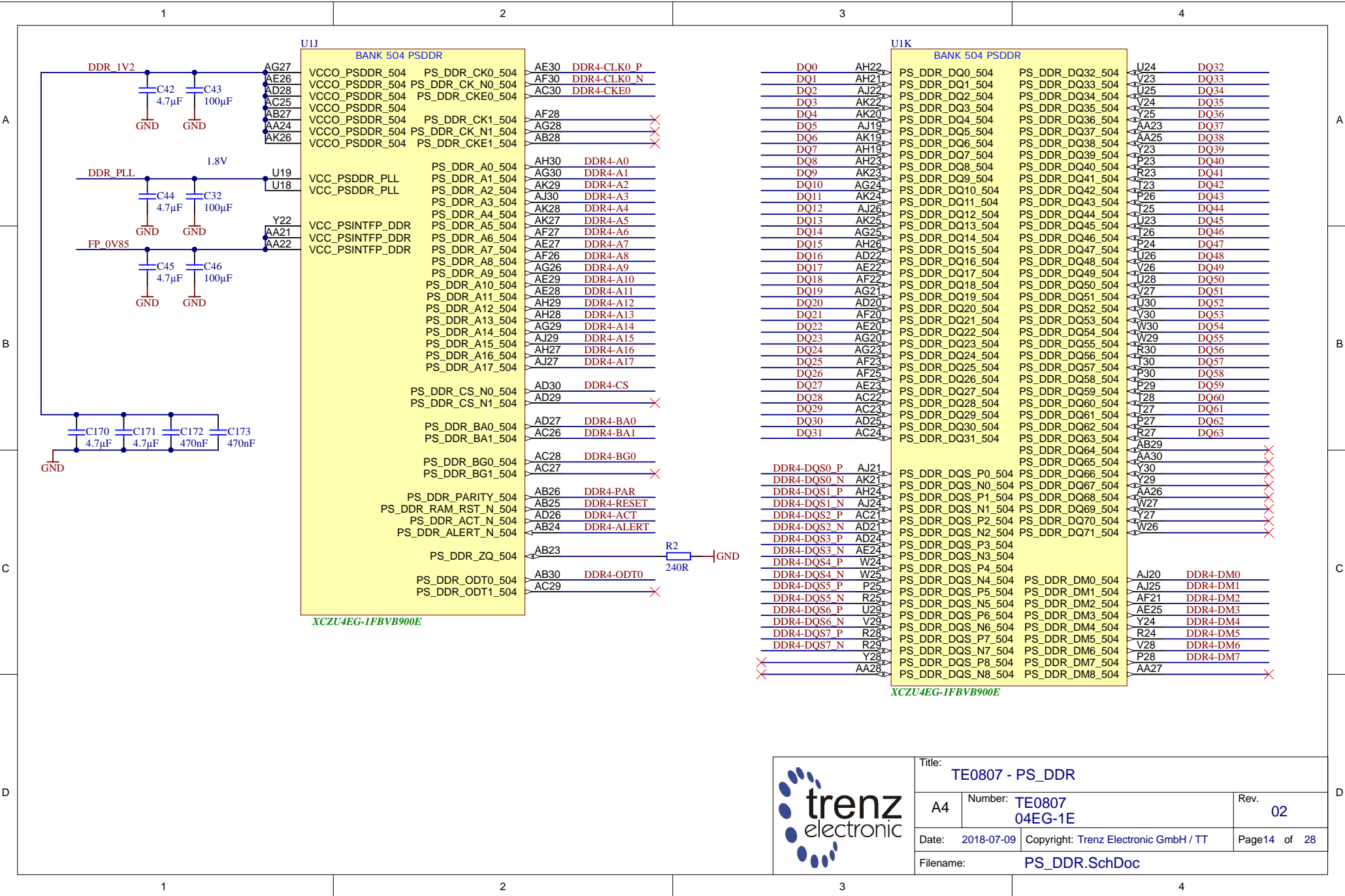
Title: TE0807 - GTH_Banks		
A4	Number: TE0807 04EG-1E	Rev. 02
Date: 2018-07-09	Copyright: Trenz Electronic GmbH / TT	Page 11 of 28
Filename: B_GT.SchDoc		



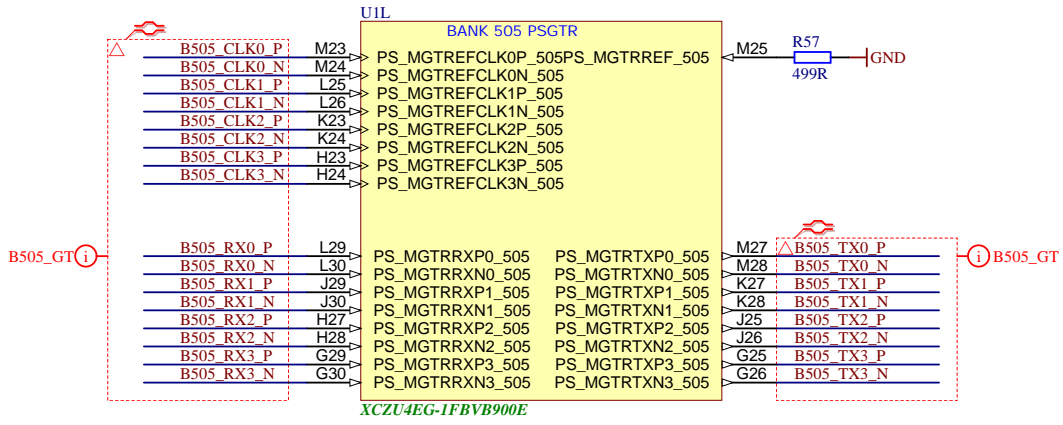
Title: TE0807 - GTH_PWR		
A4	Number: TE0807 04EG-1E	Rev. 02
Date: 2018-07-09	Copyright: Trenz Electronic GmbH / TT	Page 12 of 28
Filename: B_GT_2.SchDoc		




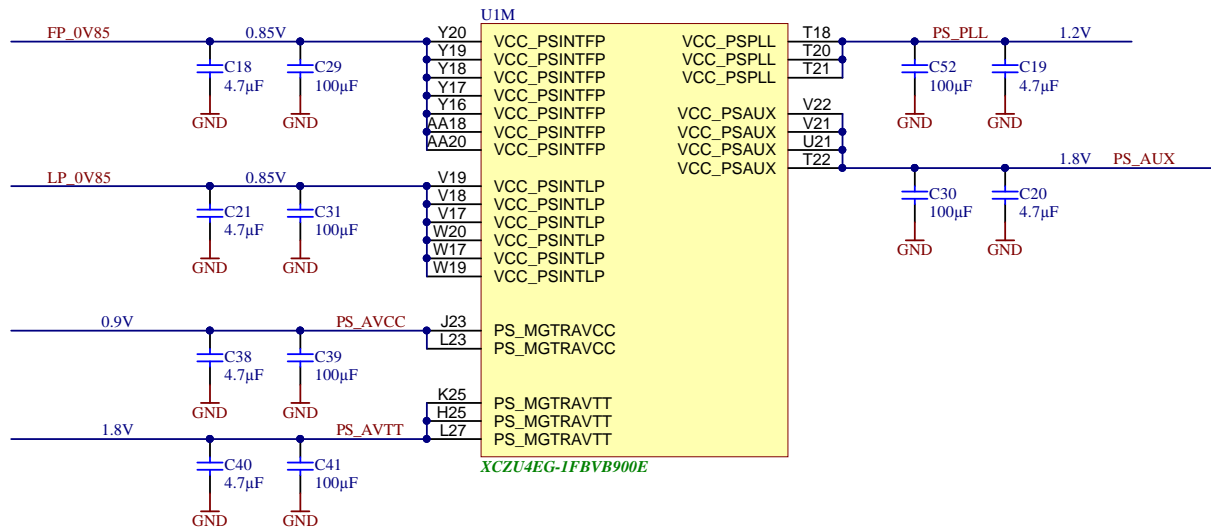
	Title: TE0807 - MIO Banks		
	A4	Number: TE0807 04EG-1E	Rev. 02
	Date: 2018-07-09	Copyright: Trenz Electronic GmbH / TT	Page13 of 28
	Filename: B_MIO.SchDoc		




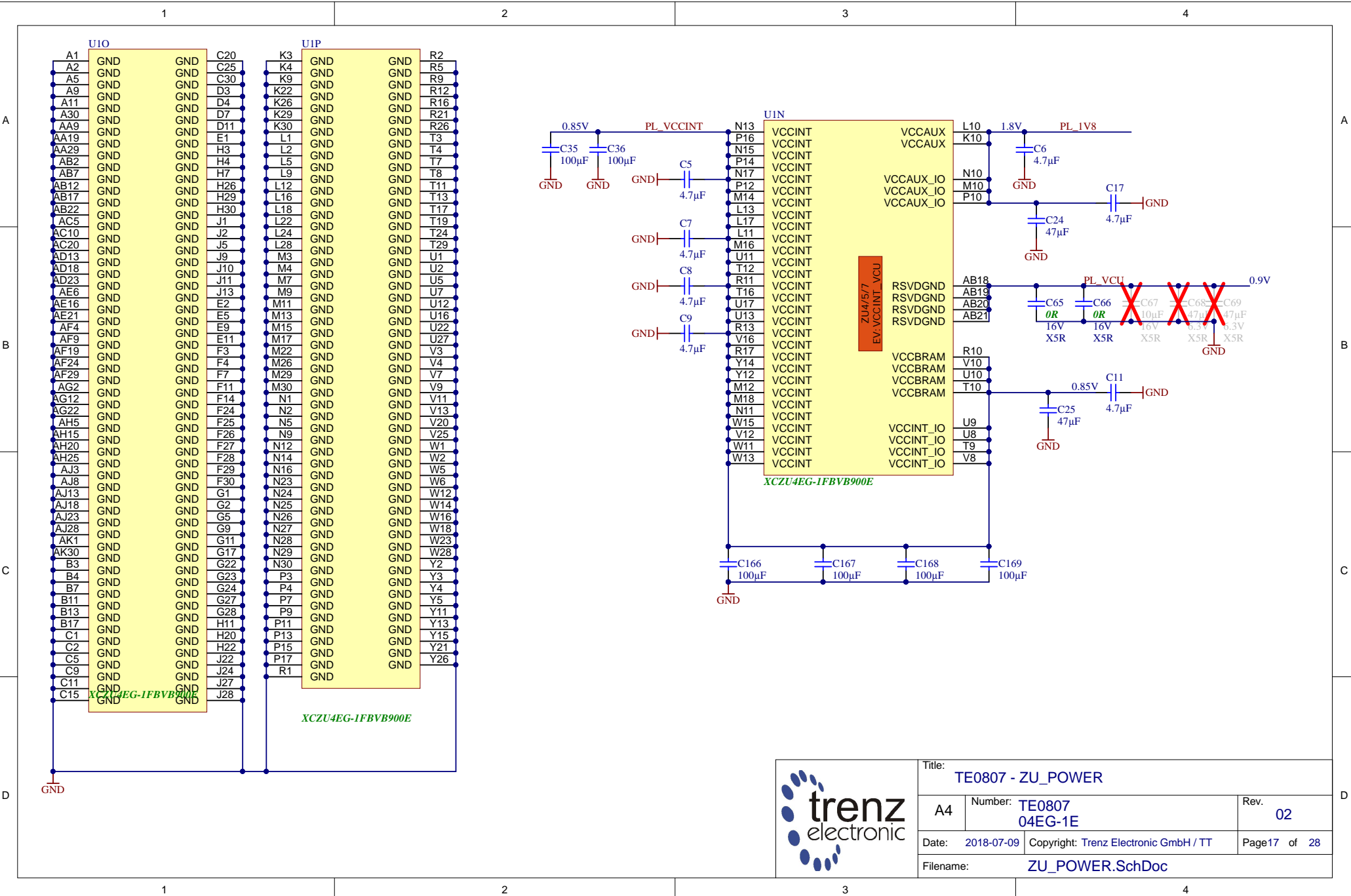
Title: TE0807 - PS_DDR		
A4	Number: TE0807 04EG-1E	Rev. 02
Date: 2018-07-09	Copyright: Trenz Electronic GmbH / TT	Page 14 of 28
Filename: PS_DDR.SchDoc		



	Title: TE0807 - PS_GT		
	A4	Number: TE0807 04EG-1E	Rev. 02
	Date: 2018-07-09	Copyright: Trenz Electronic GmbH / TT	Page 15 of 28
	Filename: B_PS_GT.SchDoc		



		Title: TE0807 - ZU_PS_POWER	
		A4	Number: TE0807 04EG-1E
Date: 2018-07-09		Copyright: Trenz Electronic GmbH / TT	
Filename: ZU_PS_POWER.SchDoc		Page 16 of 28	



Title: TE0807 - ZU_POWER		
A4	Number: TE0807 04EG-1E	Rev. 02
Date: 2018-07-09	Copyright: Trenz Electronic GmbH / TT	Page 17 of 28
Filename: ZU_POWER.SchDoc		

1

2

3

4

A

A

B

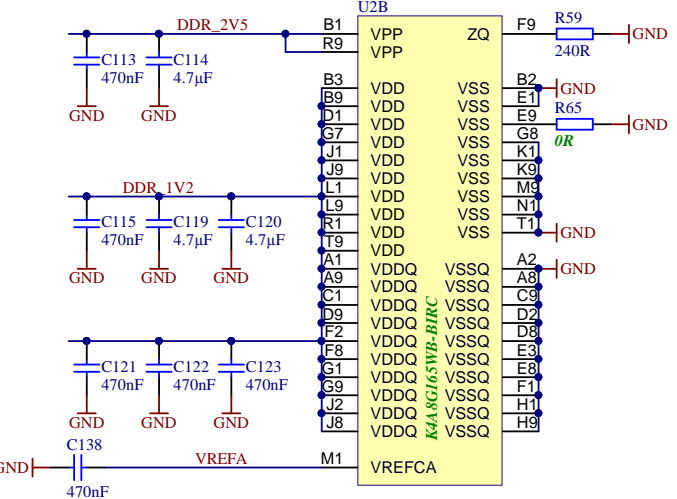
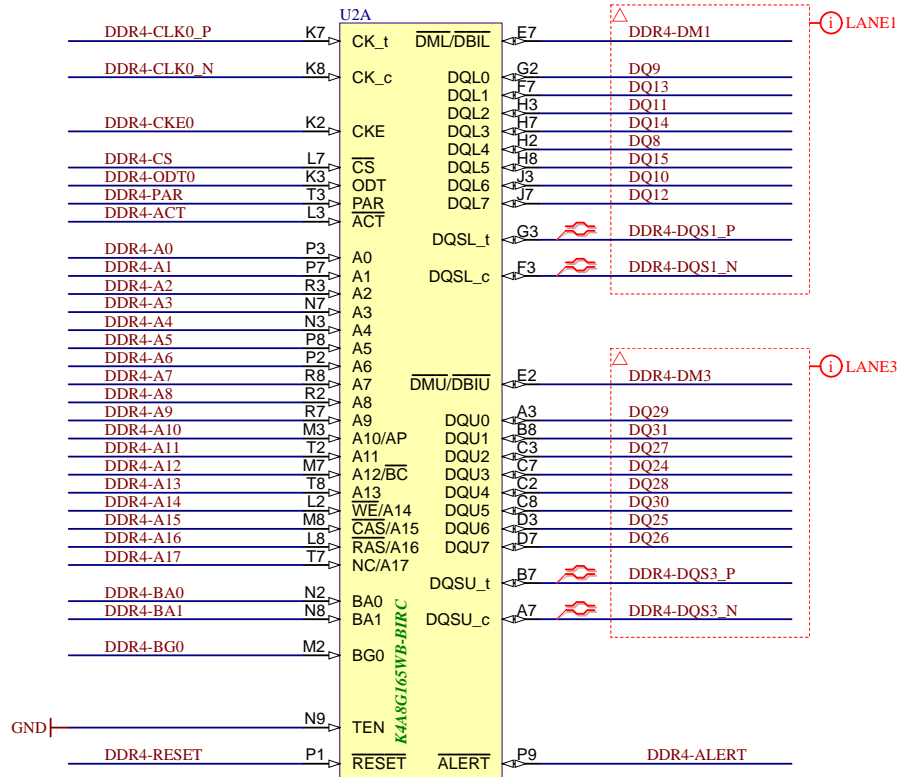
B

C

C

D

D



Title: TE0807 - DDR4_1_RAM		
A4	Number: TE0807 04EG-1E	Rev. 02
Date: 2018-07-09	Copyright: Trenz Electronic GmbH / TT	Page18 of 28
Filename: DDR4-RAM.SchDoc		

1

2

3

4

1

2

3

4

A

A

B

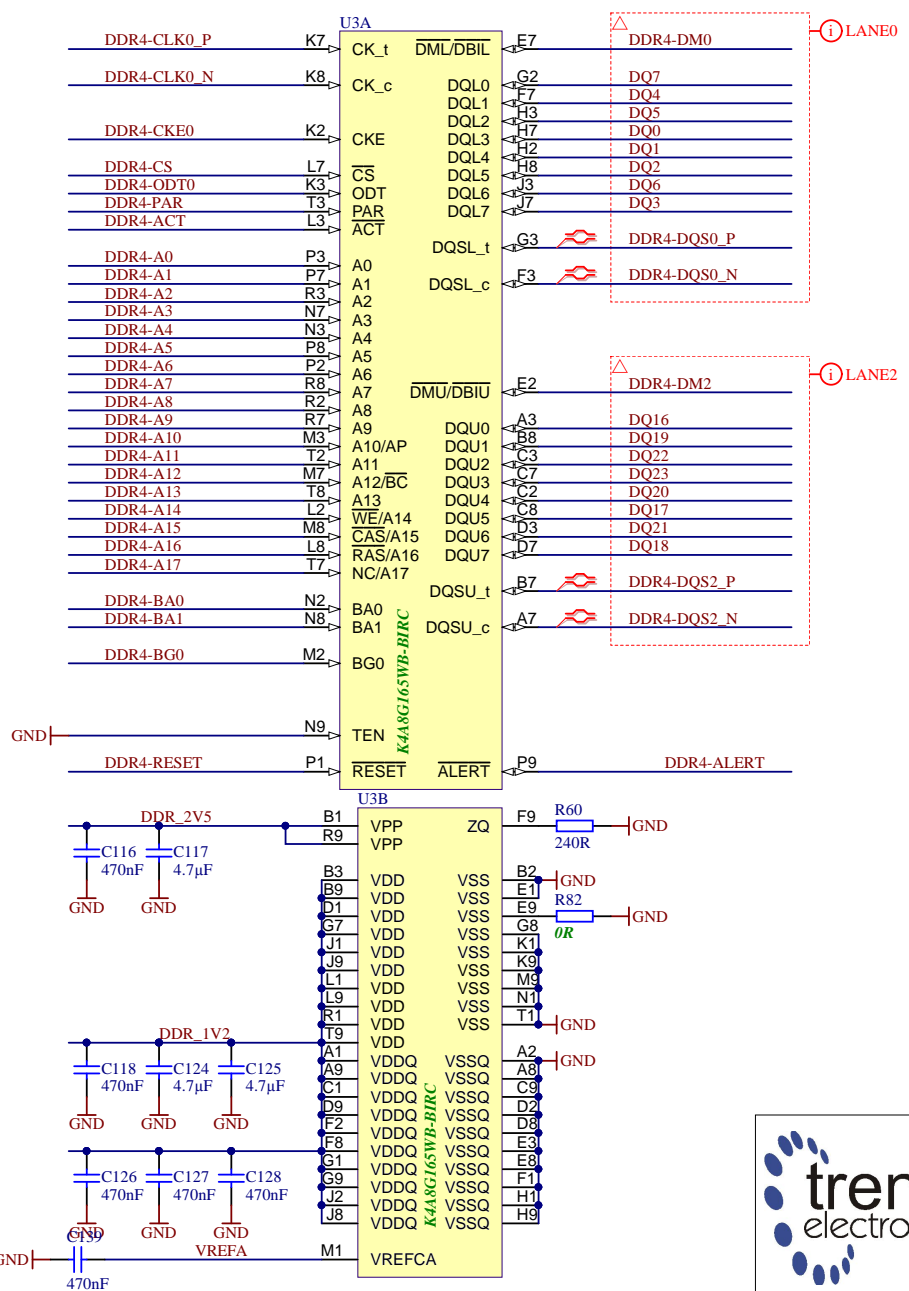
B

C

C

D

D



Title: TE0807 - DDR4_2_RAM		
A4	Number: TE0807 04EG-1E	Rev. 02
Date: 2018-07-09	Copyright: Trenz Electronic GmbH / TT	Page 19 of 28
Filename: DDR4-RAM_2.SchDoc		

1

2

3

4

1

2

3

4

A

A

B

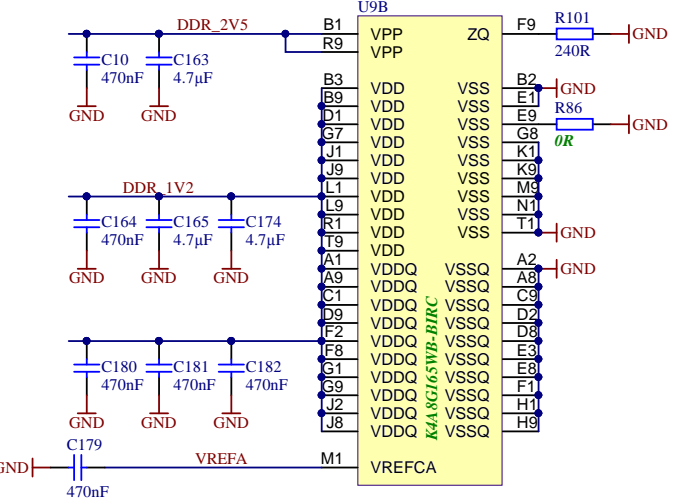
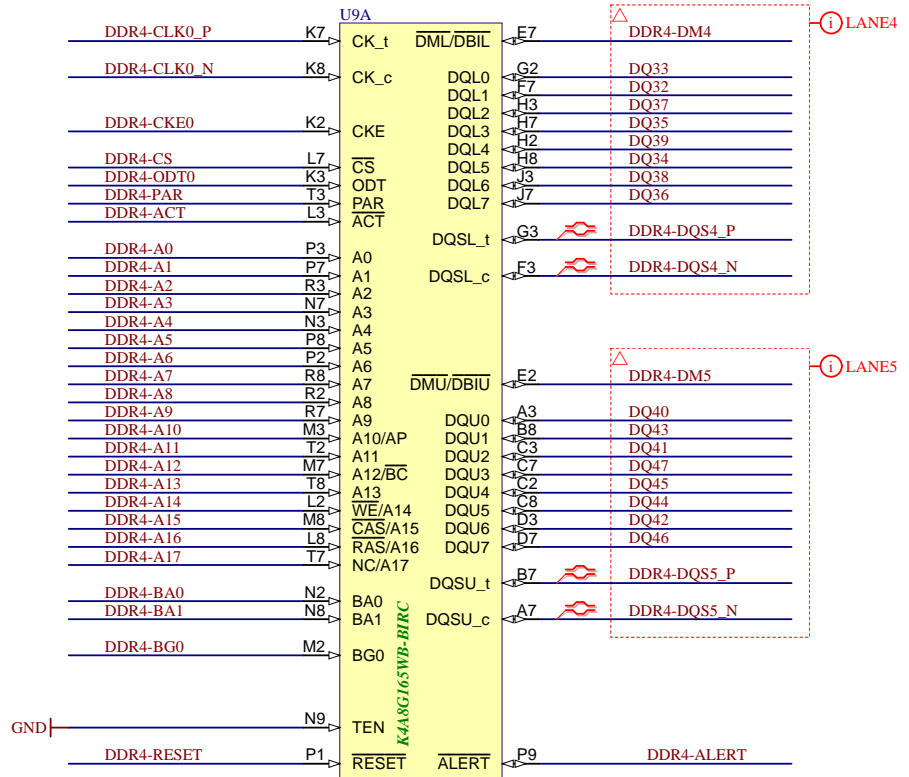
B

C

C

D

D



Title: TE0807 - DDR4_3_RAM		
A4	Number: TE0807 04EG-1E	Rev. 02
Date: 2018-07-09	Copyright: Trenz Electronic GmbH / TT	Page20 of 28
Filename: DDR4-RAM_3.SchDoc		

1

2

3

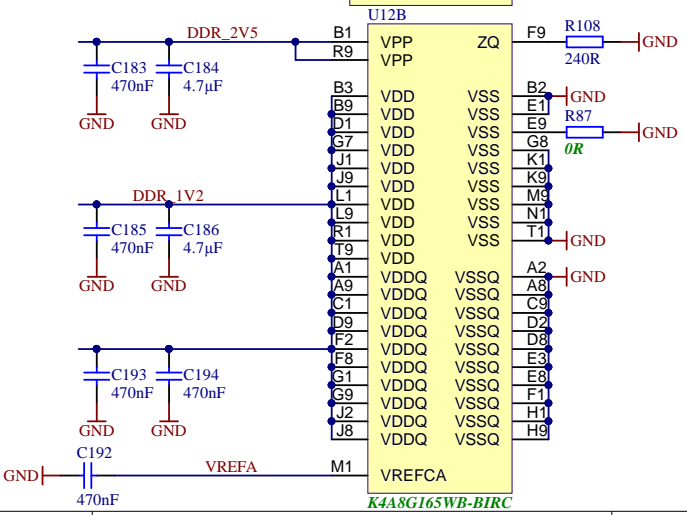
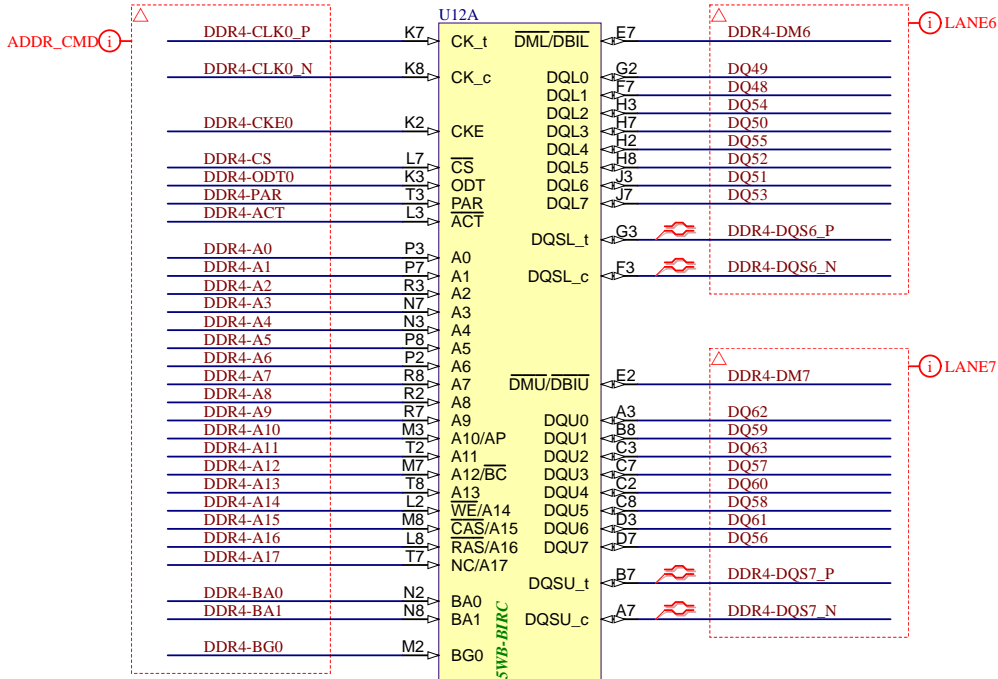
4

1

2

3

4



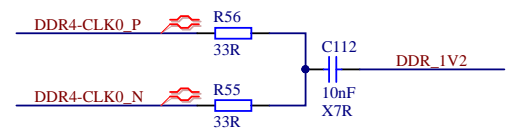
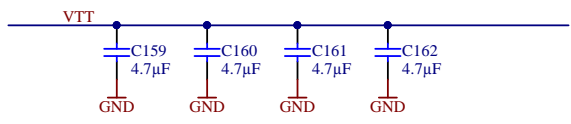
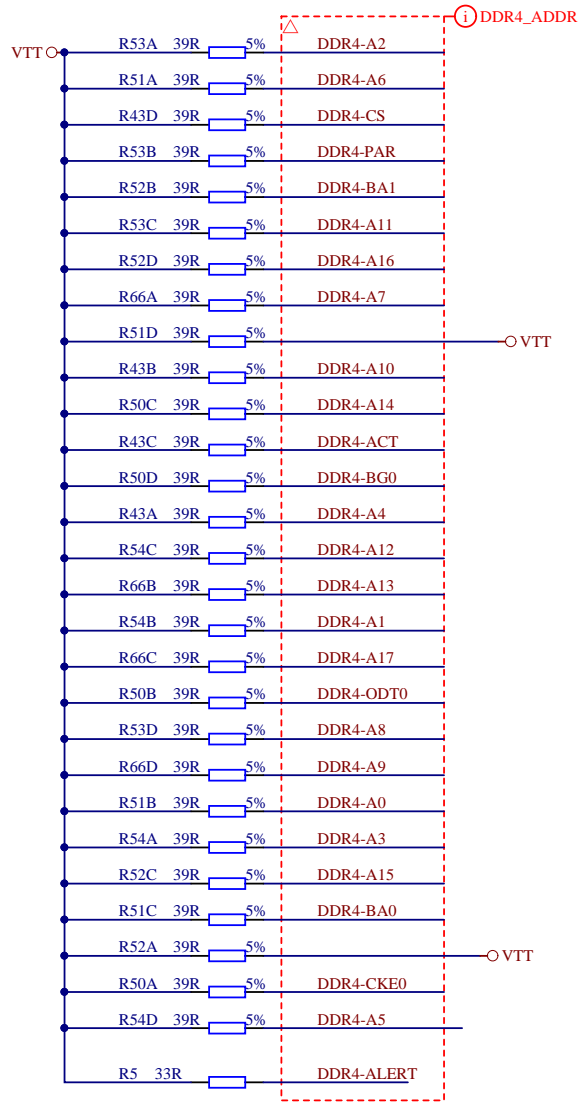
Title: TE0807 - DDR4_4_RAM		
A4	Number: TE0807 04EG-1E	Rev. 02
Date: 2018-07-09	Copyright: Trenz Electronic GmbH / TT	Page21 of 28
Filename: DDR4-RAM_4.SchDoc		


1

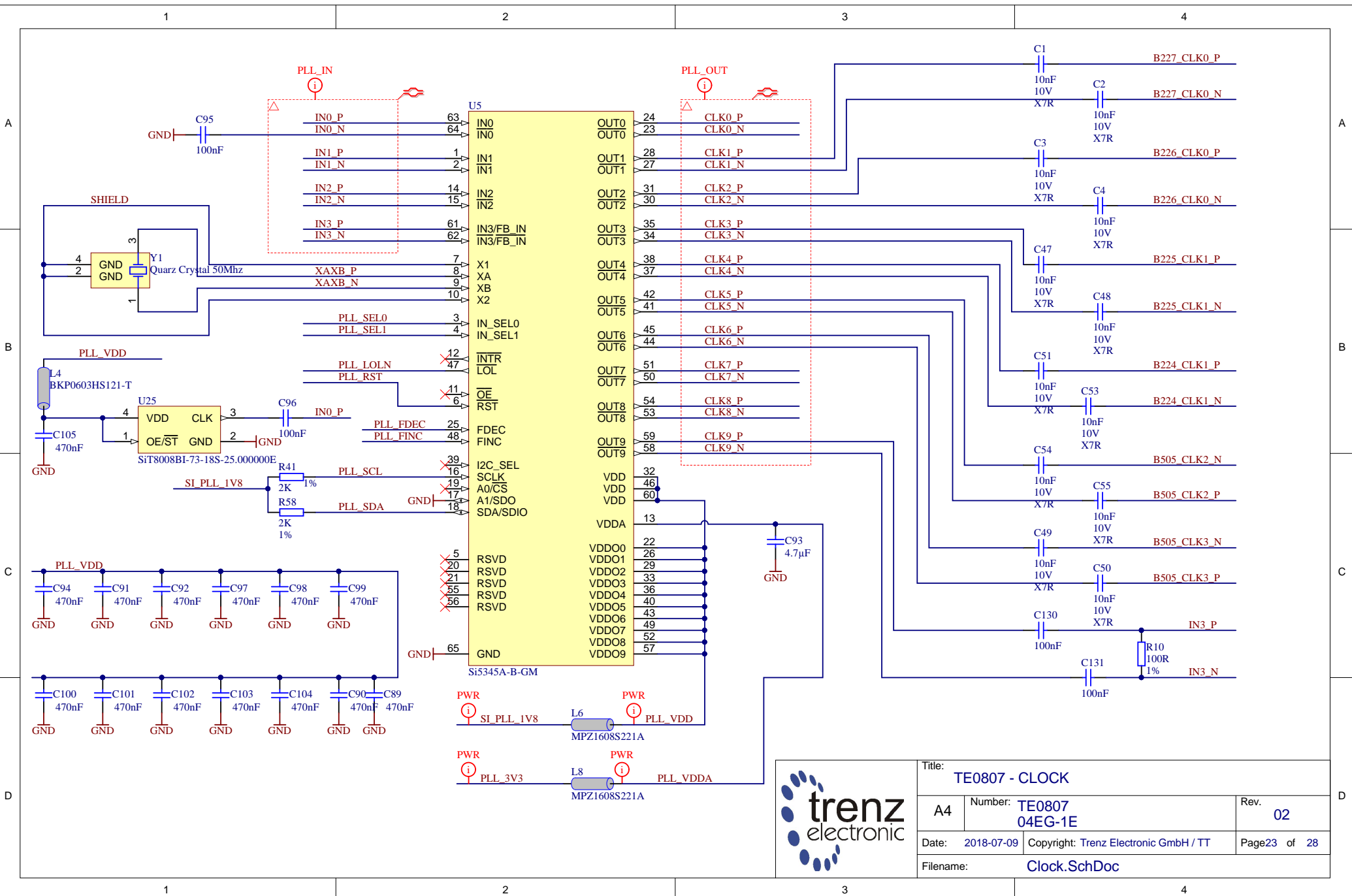
2

3

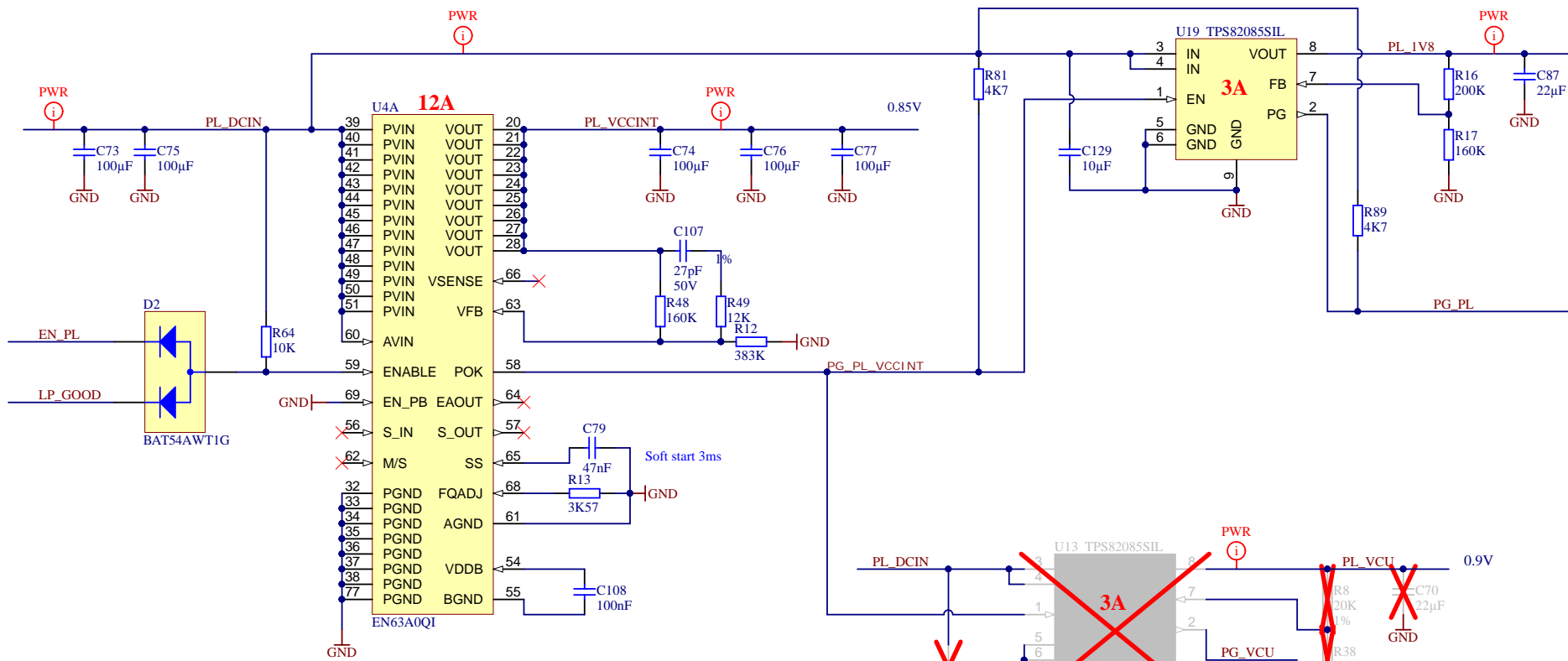
4



		Title: TE0807 - DDR4_TERM			
		A4	Number: TE0807 04EG-1E	Rev. 02	
		Date: 2018-07-09	Copyright: Trenz Electronic GmbH / TT		Page22 of 28
		Filename: DDR4-TERM.SchDoc			




Title: TE0807 - CLOCK		
A4	Number: TE0807 04EG-1E	Rev. 02
Date: 2018-07-09	Copyright: Trenz Electronic GmbH / TT	Page23 of 28
Filename: Clock.SchDoc		

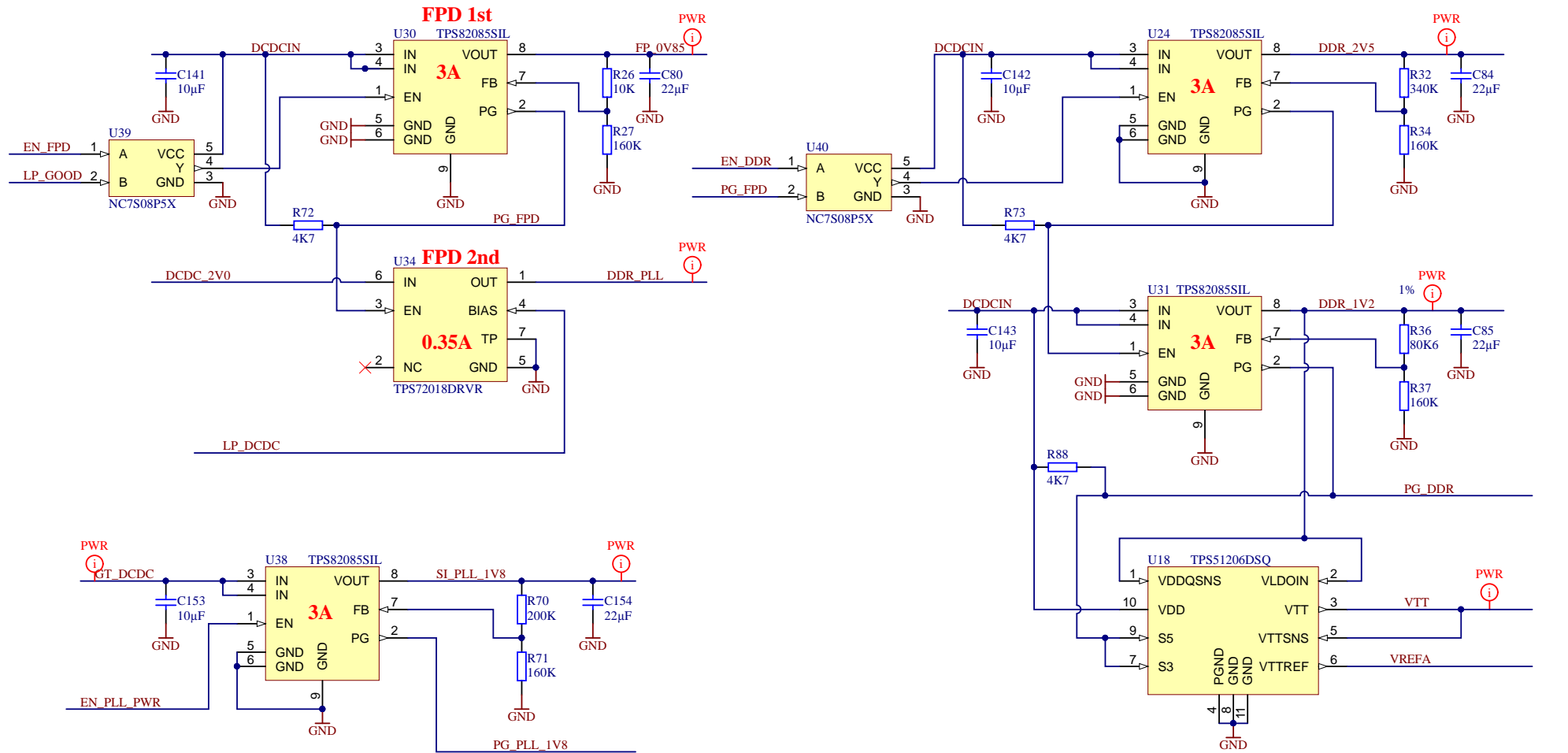



U4B
EN63A0QI

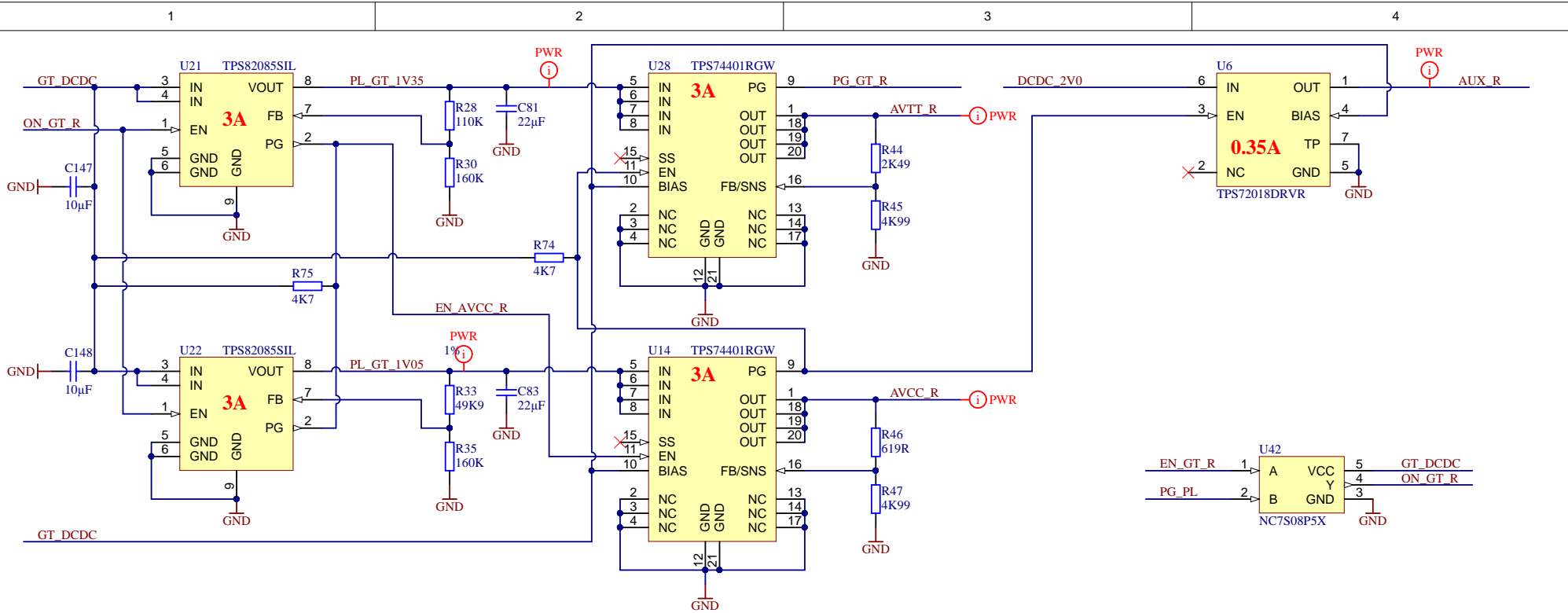
1	NC	NC	17
2	NC	NC	18
3	NC	NC	19
4	NC	NC	29
5	NC	NC	30
6	NC	NC(SW)	31
7	NC	NC(SW)	52
8	NC	NC	53
9	NC	NC	67
10	NC	NC(SW)	70
11	NC	NC(SW)	71
12	NC	NC(SW)	72
13	NC	NC	73
14	NC	NC	74
15	NC	NC	75
16	NC	NC	76



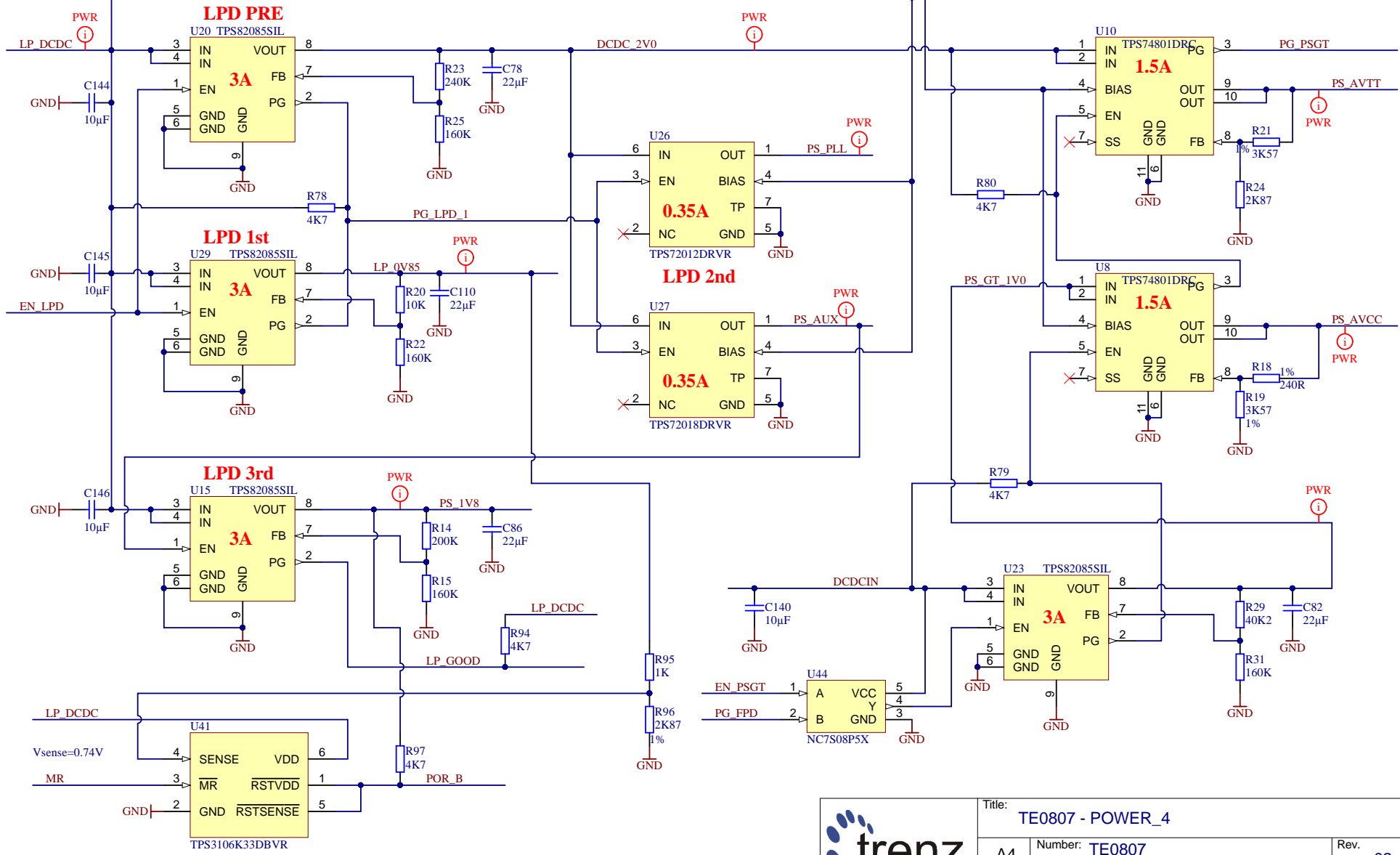
Title: TE0807 - POWER		
A4	Number: TE0807 04EG-1E	Rev. 02
Date: 2018-07-09	Copyright: Trenz Electronic GmbH / TT	Page24 of 28
Filename: POWER.SchDoc		




			Title: TE0807 - POWER_2	
			A4	Number: TE0807 04EG-1E
Date: 2018-07-09		Copyright: Trenz Electronic GmbH / TT		Page25 of 28
Filename: POWER_2.SchDoc				



Title: TE0807 - POWER_3		
A4	Number: TE0807 04EG-1E	Rev. 02
Date: 2018-07-09	Copyright: Trenz Electronic GmbH / TT	Page26 of 28
Filename: POWER_3.SchDoc		



			Title: TE0807 - POWER_4	
			A4	Number: TE0807 04EG-1E
Date: 2018-07-09		Copyright: Trenz Electronic GmbH / TT		Page27 of 28
Filename: POWER_4.SchDoc				

1

2

3

4

CHANGES REV01 to REV02

- 1) Added EEPROM (U11,24AA025E48T-I/OT)
- 2) Added optional resistors R39/R40 for QSPI flash (do not populated)
- 3) Fixed VCU connection (added additional DCDC and capacitors), recommendation from Xilinx
- 4) Changed obsolete DDR4 chips (NT5AD256M16B2-GN -> K4A8G165WB-BIRC)
- 5) Added net "PG_VCU" to J2 (pin97)
- 6) full update lib

A

A

B

B

C

C

D

D



Title: TE0807 - Changes list		
A4	Number: TE0807 04EG-1E	Rev. 02
Date: 2018-07-09	Copyright: Trenz Electronic GmbH	Page 28 of 28
Filename: Revision_Changes.SchDoc		

1

2

3

4