


Regarding the usage of our schematics and alike documentation for Trenz module Project.

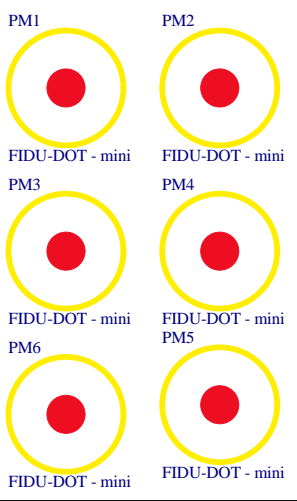
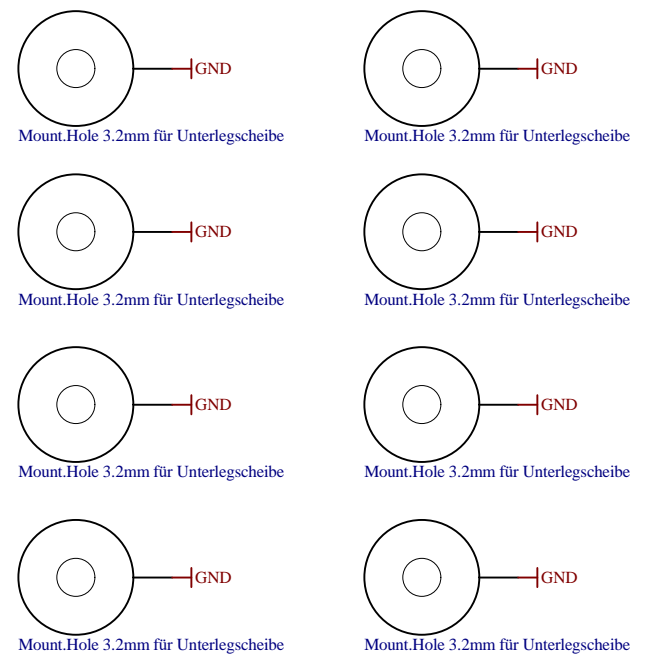
Project is protected under copyright and we strongly and strictly prohibit the reverse engineering or recreation, even if the design is just adapted or modified. Project is protected under such right and in case of plagiarism we will have to do anything necessary in order to protect our assets.

Schematics and other handouts serve for informational purposes only!

	Title: TE0807 - Legal Notices		
	A4	Number: TE0807 4AI21-C	Rev. 03
	Date: 2020-05-08	Copyright: Trenz Electronic GmbH / TT	Page 1 of 29
	Filename: Legal Notices Modules.SchDoc		

U_J1 J1.SchDoc	U_B_PS_GT B_PS_GT.SchDoc	U_DDR4-TERM DDR4-TERM.SchDoc
U_J2 J2.SchDoc	U_PS_DDR PS_DDR.SchDoc	U_ZU_POWER ZU_POWER.SchDoc
U_J3 J3.SchDoc	U_B_MIO B_MIO.SchDoc	U_ZU_PS_POWER ZU_PS_POWER.SchDoc
U_J4 J4.SchDoc	U_B_HD B_HD.SchDoc	U_POWER POWER.SchDoc
U_DDR4-TERM DDR4-TERM.SchDoc	U_Clock Clock.SchDoc	U_POWER_2 POWER_2.SchDoc
U_B64 B64.SchDoc	U_CONFIG CONFIG.SchDoc	U_POWER_3 POWER_3.SchDoc
U_B65 B65.SchDoc	U_DDR4-RAM DDR4-RAM.SchDoc	U_POWER_4 POWER_4.SchDoc
U_B66 B66.SchDoc	U_DDR4-RAM_2 DDR4-RAM_2.SchDoc	
U_B_GT B_GT.SchDoc	U_DDR4-RAM_3 DDR4-RAM_3.SchDoc	
U_B_GT_2 B_GT_2.SchDoc	U_DDR4-RAM_4 DDR4-RAM_4.SchDoc	


Special notes:

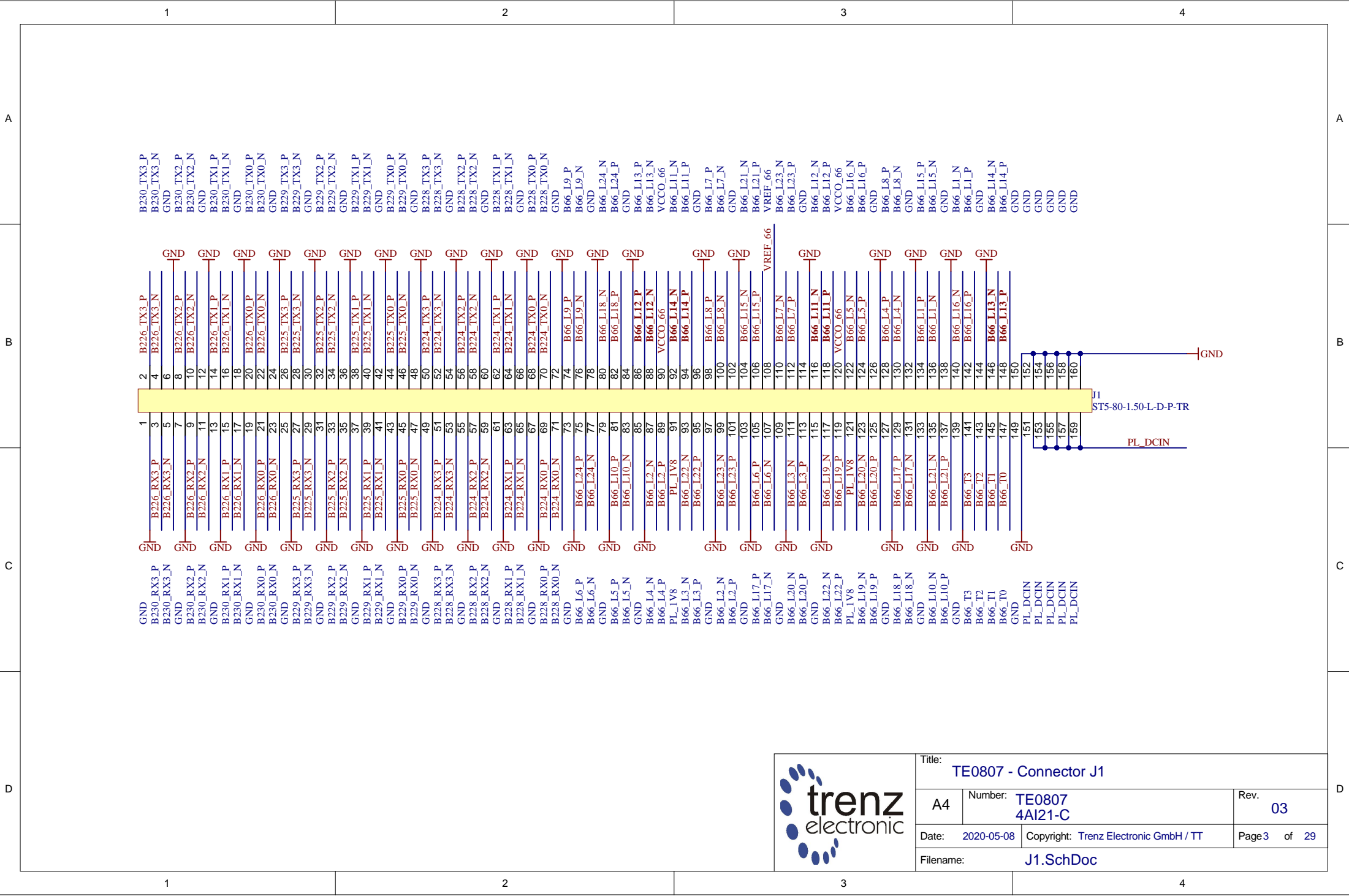



LOGO1
TE Logo PRINT Layer
LOGO PRINT

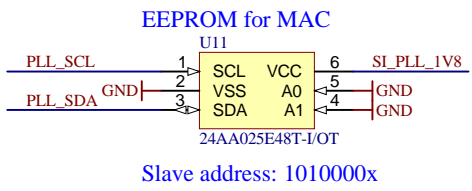
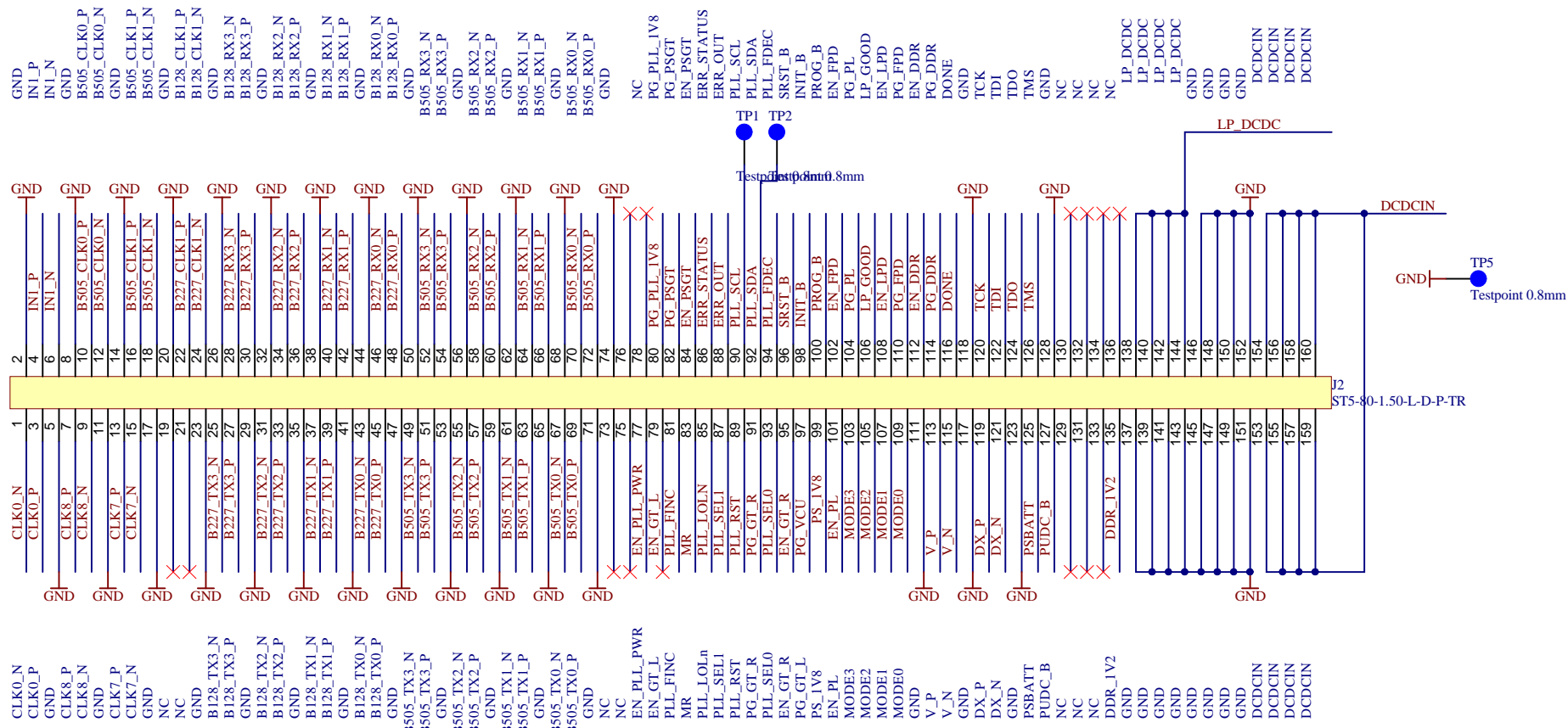

Serial
Serialnummer 6,3 x 6.3mm

Assembly variant	4AI21-C
Created by	VT
Modified by	VT
Modified at	2020-09-01
SVN Revision	9876

	Title: TE0807		
	A4	Number: TE0807 4AI21-C	Rev. 03
	Date: 2020-05-08	Copyright: Trenz Electronic GmbH / TT	Page 2 of 29
	Filename: TE0807.SchDoc		

Title: TE0807 - Connector J1		
A4	Number: TE0807 4AI21-C	Rev. 03
Date: 2020-05-08	Copyright: Trenz Electronic GmbH / TT	Page 3 of 29
Filename: J1.SchDoc		

Title: TE0807 - Connector J2		
A4	Number: TE0807 4AI21-C	Rev. 03
Date: 2020-05-08	Copyright: Trenz Electronic GmbH / TT	Page 4 of 29
Filename: J2.SchDoc		

A

B

C

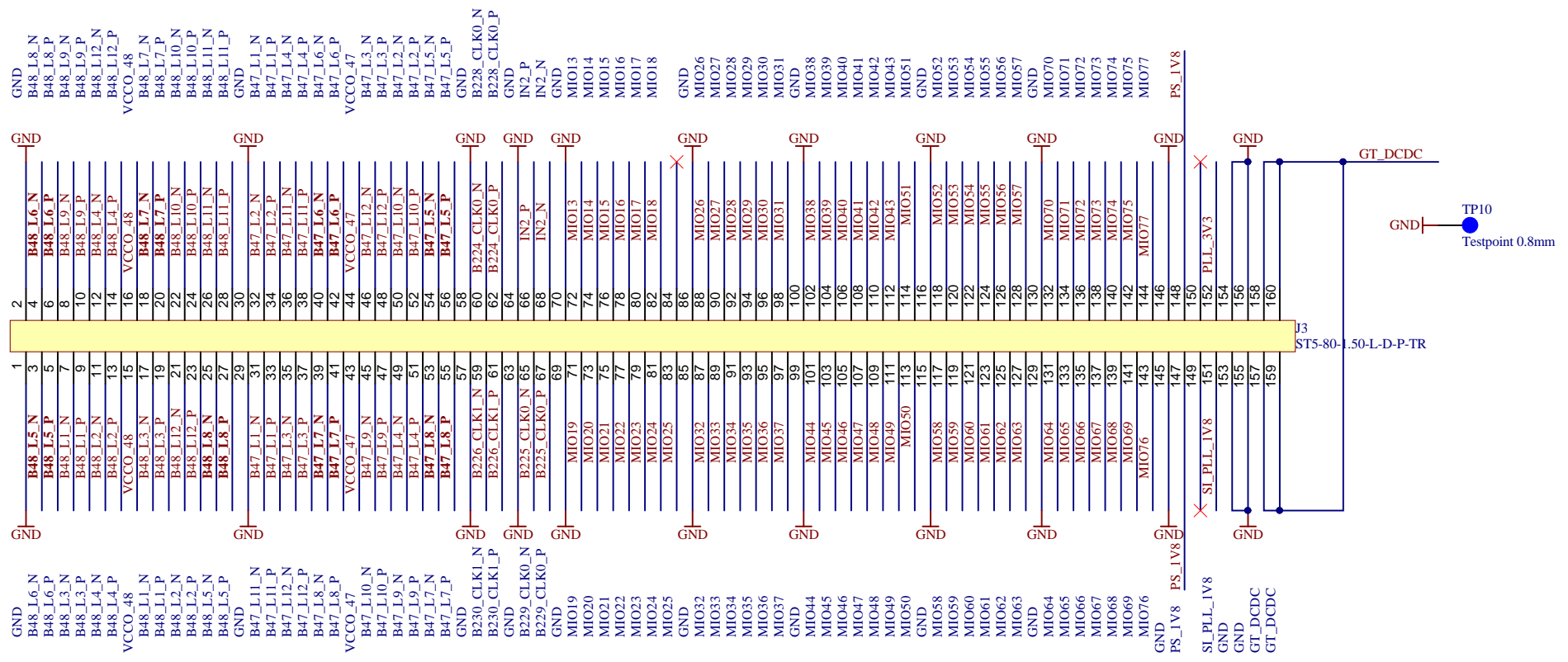
D

1

2

3

4



Title: TE0807 - Connector J3		
A4	Number: TE0807 4AI21-C	Rev. 03
Date: 2020-05-08	Copyright: Trenz Electronic GmbH / TT	Page 5 of 29
Filename: J3.SchDoc		

1

2

3

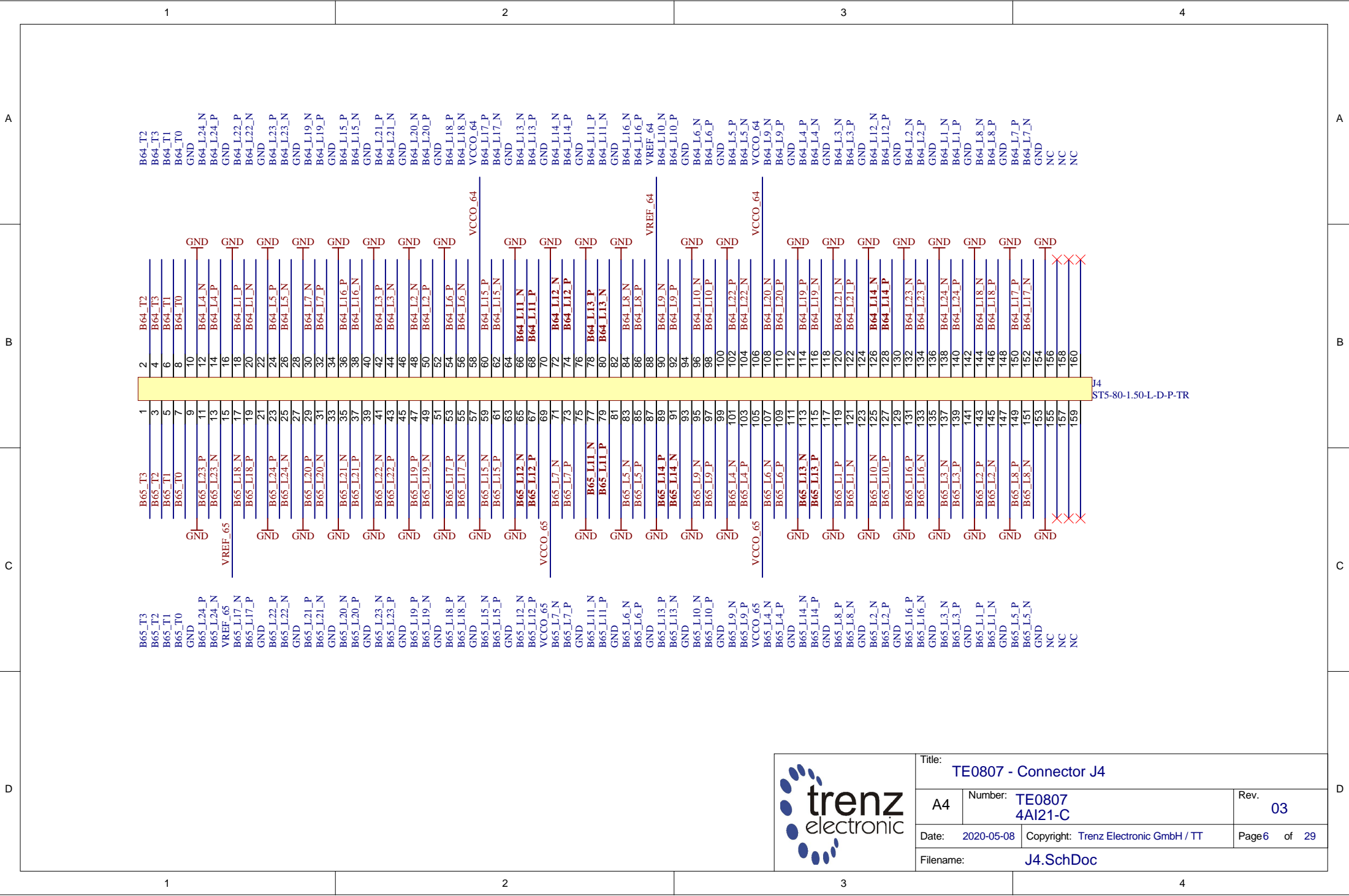
4

A

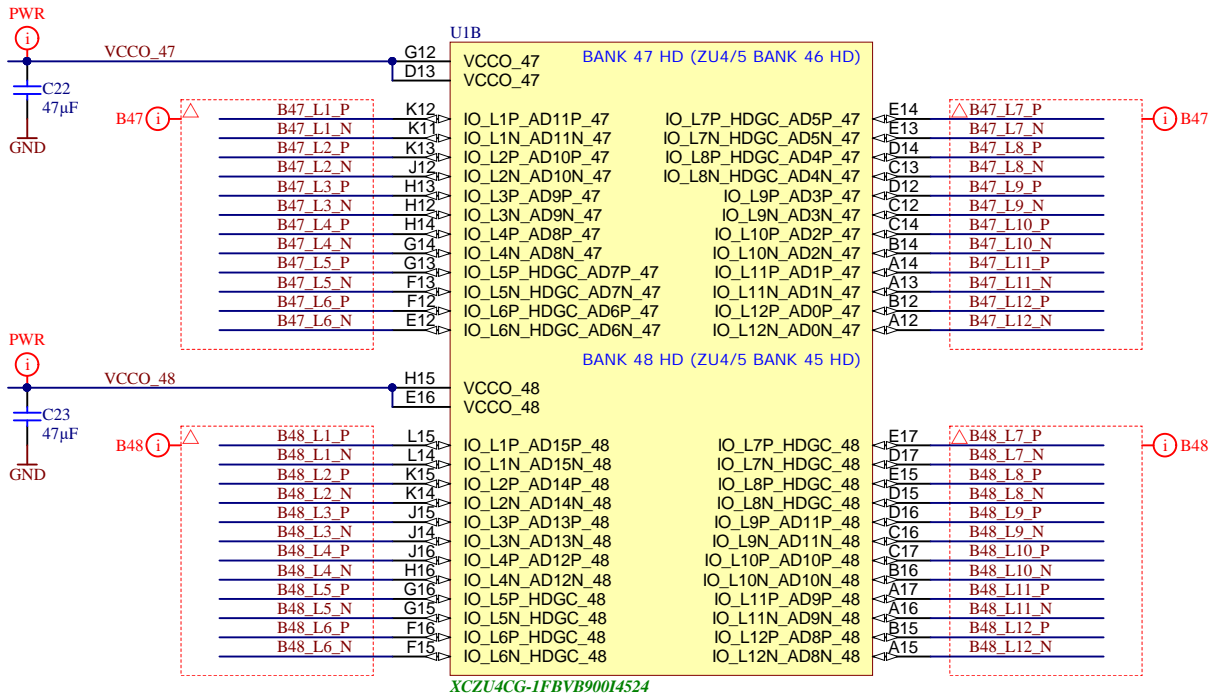
B

C

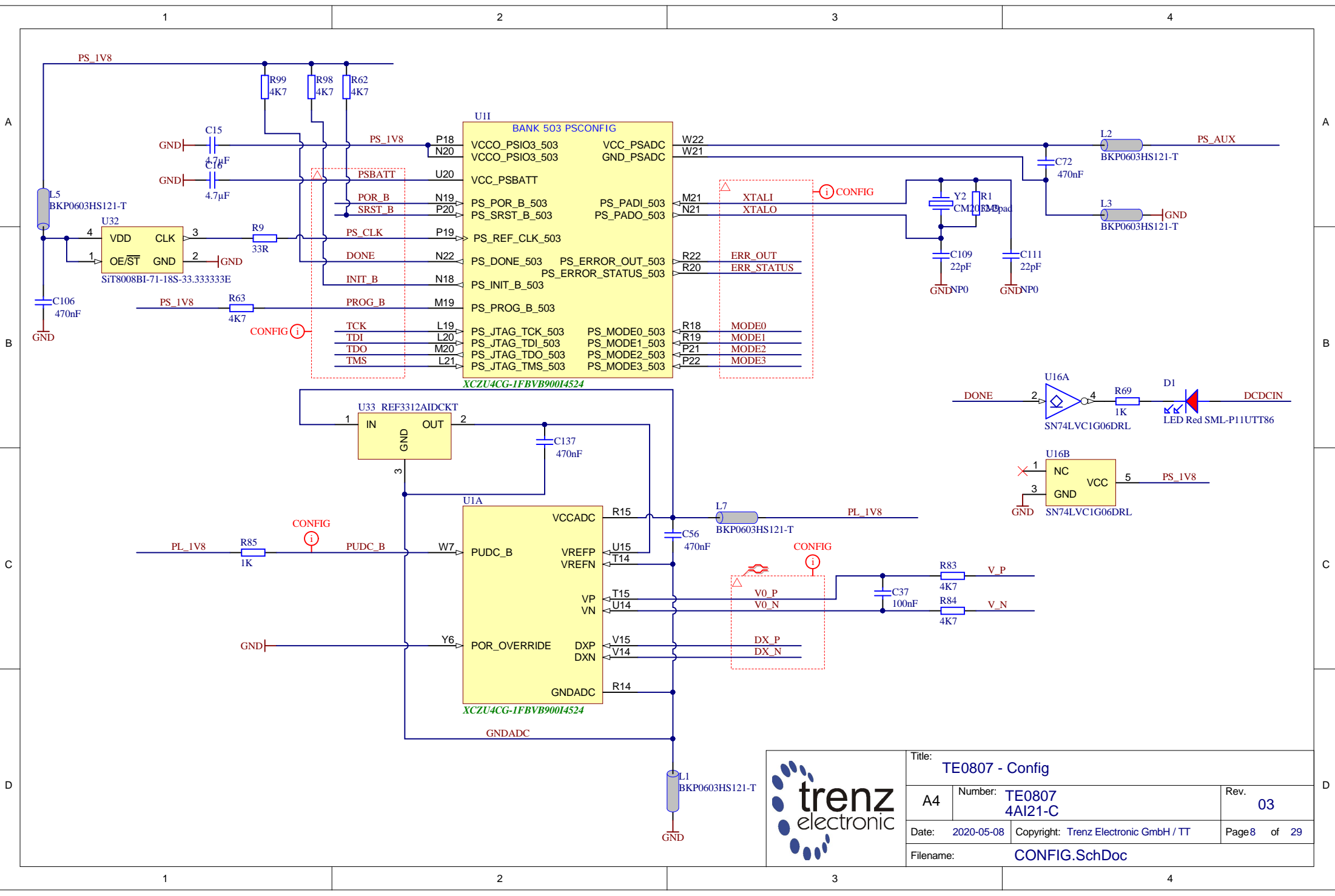
D




Title: TE0807 - Connector J4		
A4	Number: TE0807 4AI21-C	Rev. 03
Date: 2020-05-08	Copyright: Trenz Electronic GmbH / TT	Page 6 of 29
Filename: J4.SchDoc		



Title: TE0807 - B47HD and B48HD		
A4	Number: TE0807 4AI21-C	Rev. 03
Date: 2020-05-08	Copyright: Trenz Electronic GmbH / TT	Page 7 of 29
Filename: B_HD.SchDoc		



			Title: TE0807 - Config	
			A4	Number: TE0807 4AI21-C
Date: 2020-05-08		Copyright: Trenz Electronic GmbH / TT		Page 8 of 29
Filename: CONFIG.SchDoc				

1

2

3

4

A

A

B

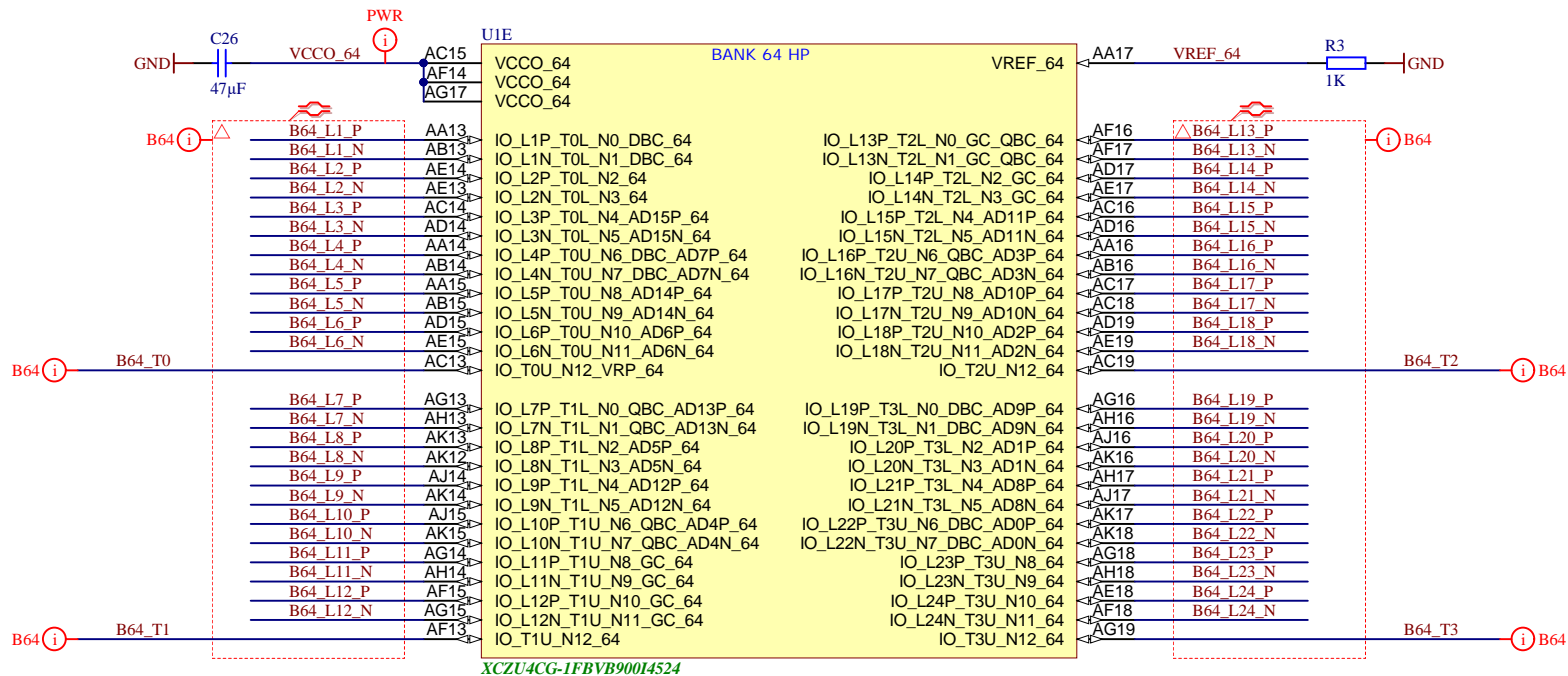
B


C

C

D

D



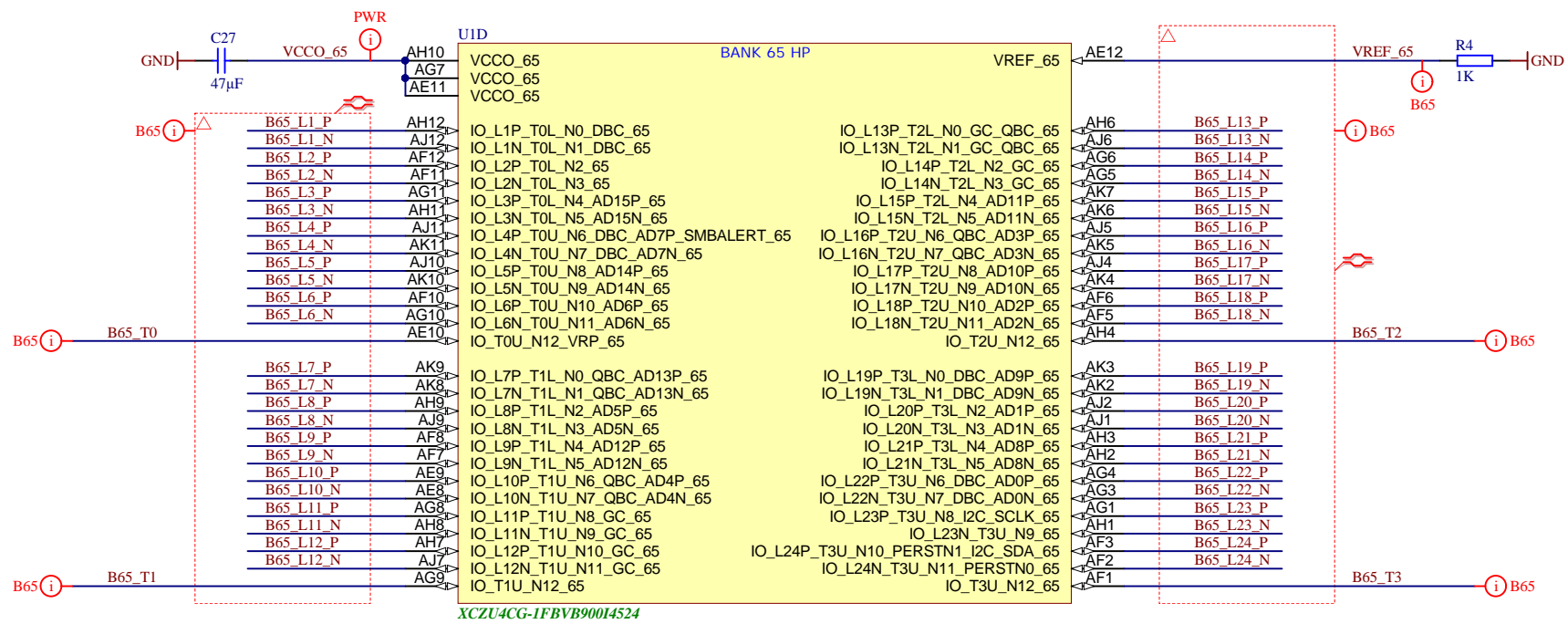
	Title: TE0807 - B64		
	A4	Number: TE0807 4AI21-C	Rev. 03
	Date: 2020-05-08	Copyright: Trenz Electronic GmbH / TT	Page 9 of 29
	Filename: B64.SchDoc		

1

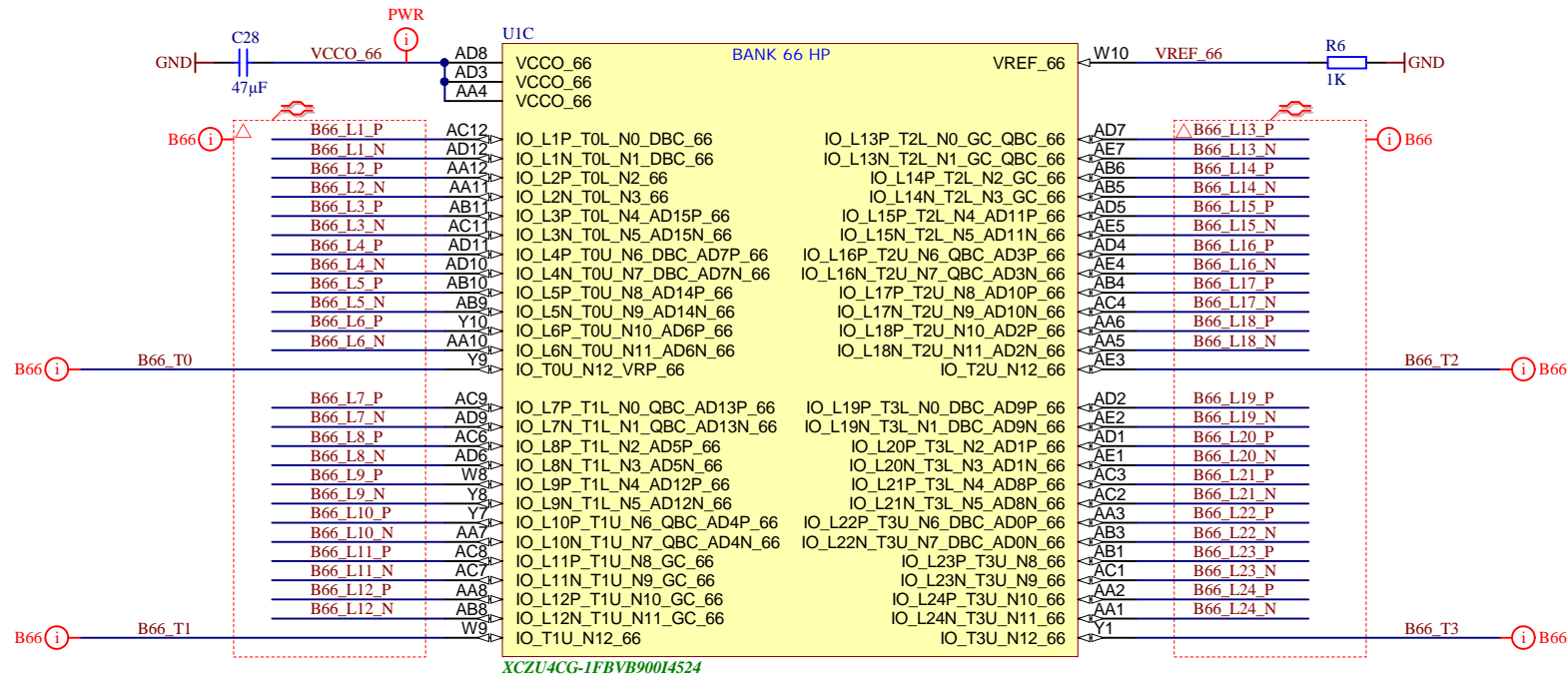
2

3

4



Title: TE0807 - B65		
A4	Number: TE0807 4AI21-C	Rev. 03
Date: 2020-05-08	Copyright: Trenz Electronic GmbH / TT	Page 10 of 29
Filename: B65.SchDoc		



	Title: TE0807 - B66		
	A4	Number: TE0807 4AI21-C	Rev. 03
	Date: 2020-05-08	Copyright: Trenz Electronic GmbH / TT	Page 11 of 29
	Filename: B66.SchDoc		

A

A

B

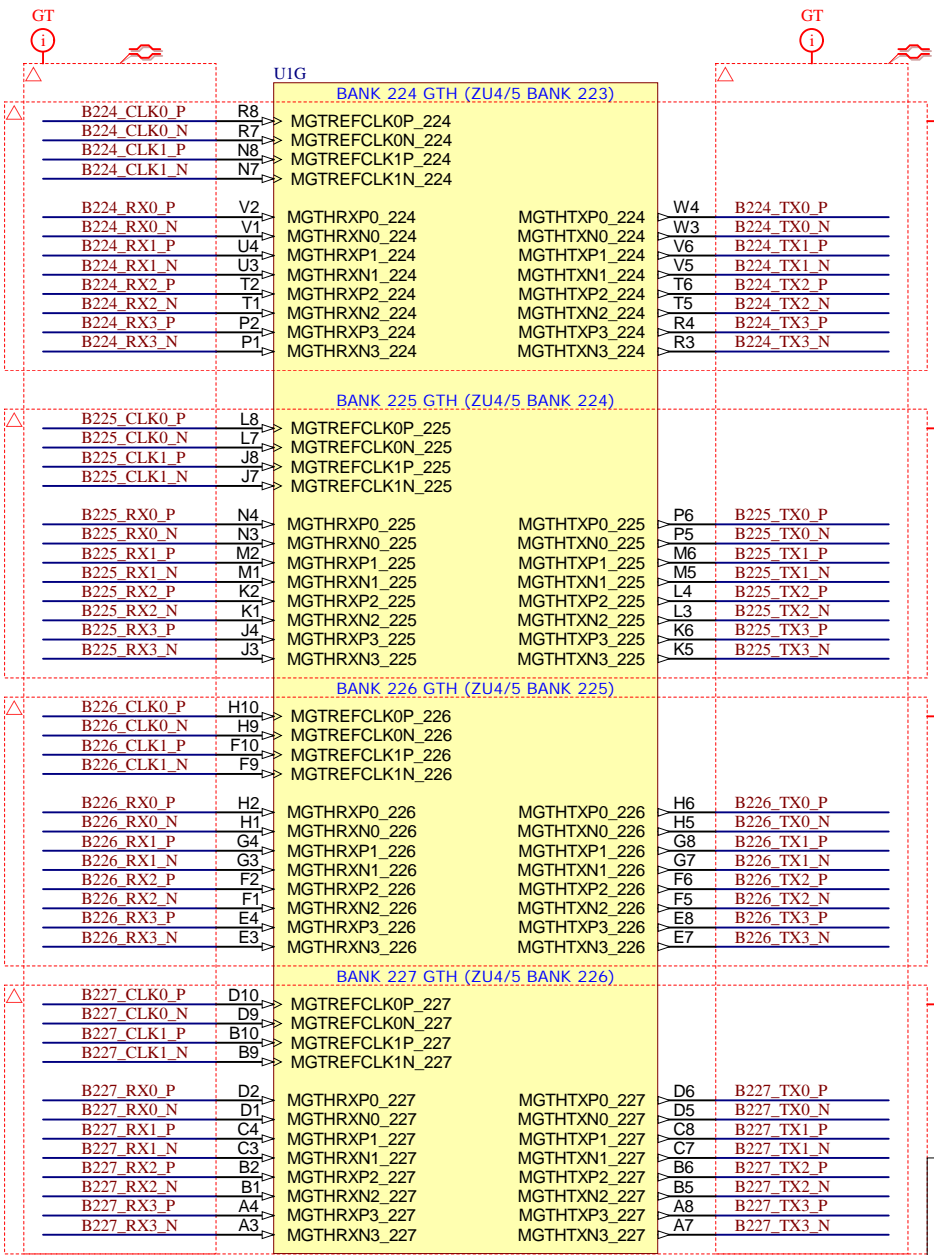
B

C

C

D

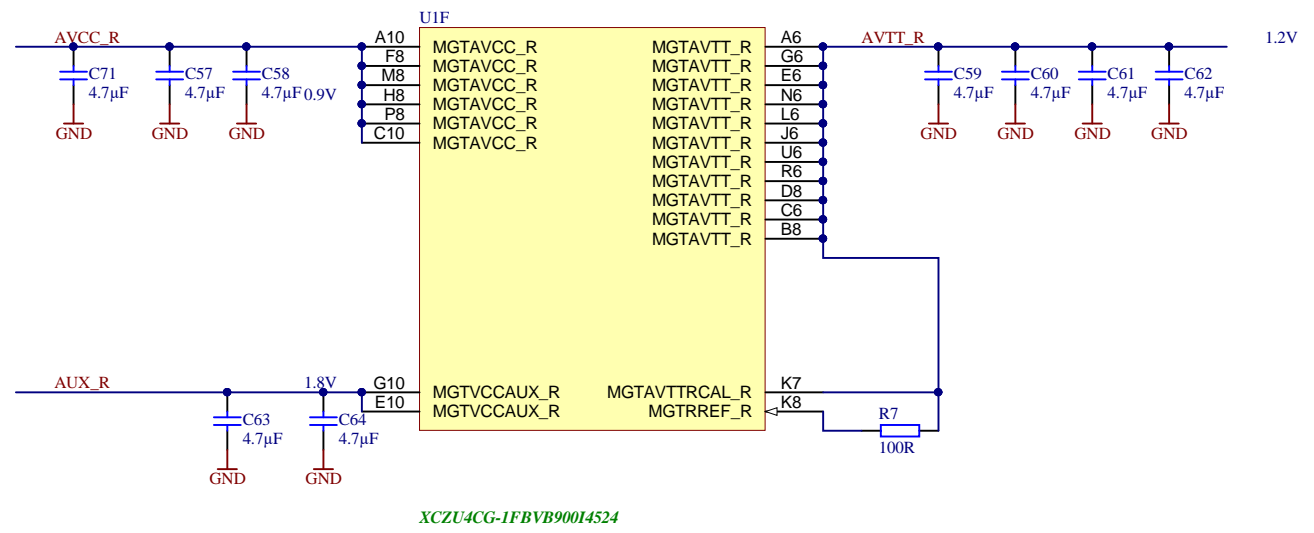
D




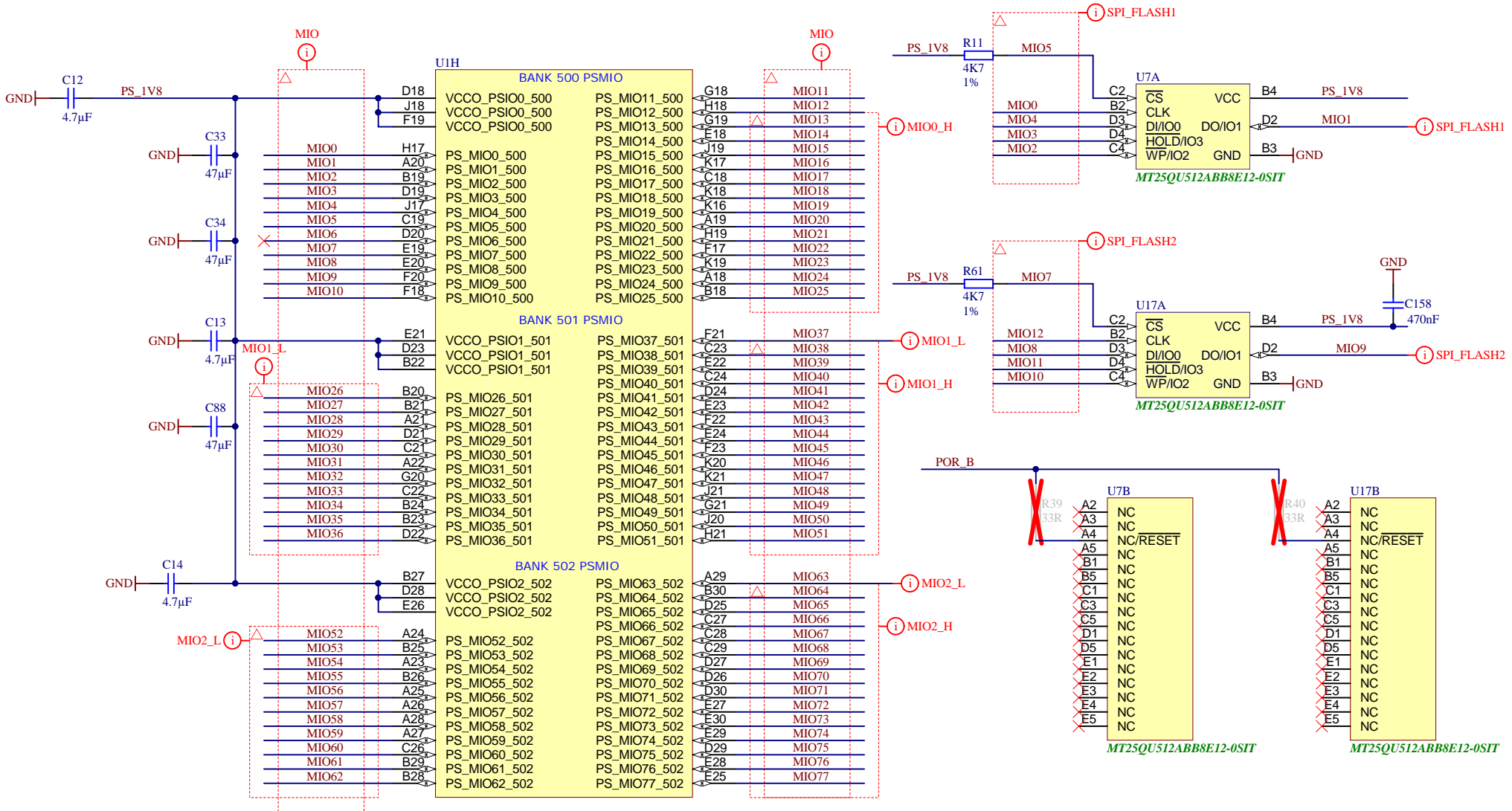
XCZU4CG-1FBVB900I4524




Title: TE0807 - GTH_Banks		
A4	Number: TE0807 4AI21-C	Rev. 03
Date: 2020-05-08	Copyright: Trenz Electronic GmbH / TT	Page 12 of 29
Filename: B_GT.SchDoc		

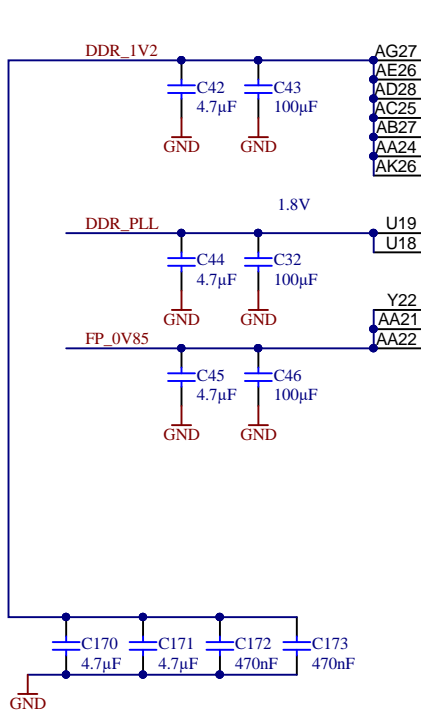


	Title: TE0807 - GTH_PWR		
	A4	Number: TE0807 4AI21-C	Rev. 03
	Date: 2020-05-08	Copyright: Trenz Electronic GmbH / TT	Page 13 of 29
	Filename: B_GT_2.SchDoc		



XCZU4CG-1FBVB900I4524

		Title: TE0807 - MIO Banks	
		A4	Number: TE0807 4AI21-C
Date: 2020-05-08		Copyright: Trenz Electronic GmbH / TT	
Page 14 of 29		Page 14 of 29	
Filename: B_MIO.SchDoc		Page 14 of 29	

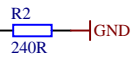


UIJ BANK 504 PSDDR

VCCO_PSDDR_504	PS_DDR_CK0_504	AE30	DDR4-CLK0_P
VCCO_PSDDR_504	PS_DDR_CK_N0_504	AF30	DDR4-CLK0_N
VCCO_PSDDR_504	PS_DDR_CKE0_504	AC30	DDR4-CKE0
VCCO_PSDDR_504	PS_DDR_CK1_504	AF28	
VCCO_PSDDR_504	PS_DDR_CK_N1_504	AG28	
VCCO_PSDDR_504	PS_DDR_CKE1_504	AB28	
VCC_PSDDR_PLL	PS_DDR_A0_504	AH30	DDR4-A0
VCC_PSDDR_PLL	PS_DDR_A1_504	AG30	DDR4-A1
VCC_PSDDR_PLL	PS_DDR_A2_504	AK29	DDR4-A2
VCC_PSDDR_PLL	PS_DDR_A3_504	AJ30	DDR4-A3
VCC_PSDDR_PLL	PS_DDR_A4_504	AK28	DDR4-A4
VCC_PSDDR_PLL	PS_DDR_A5_504	AK27	DDR4-A5
VCC_PSDDR_PLL	PS_DDR_A6_504	AF27	DDR4-A6
VCC_PSDDR_PLL	PS_DDR_A7_504	AE27	DDR4-A7
VCC_PSDDR_PLL	PS_DDR_A8_504	AF26	DDR4-A8
VCC_PSDDR_PLL	PS_DDR_A9_504	AG26	DDR4-A9
VCC_PSDDR_PLL	PS_DDR_A10_504	AE29	DDR4-A10
VCC_PSDDR_PLL	PS_DDR_A11_504	AE28	DDR4-A11
VCC_PSDDR_PLL	PS_DDR_A12_504	AH29	DDR4-A12
VCC_PSDDR_PLL	PS_DDR_A13_504	AG29	DDR4-A14
VCC_PSDDR_PLL	PS_DDR_A14_504	AJ29	DDR4-A15
VCC_PSDDR_PLL	PS_DDR_A15_504	AH27	DDR4-A16
VCC_PSDDR_PLL	PS_DDR_A16_504	AJ27	DDR4-A17
VCC_PSDDR_PLL	PS_DDR_A17_504		
VCC_PSINTFF_DDR	PS_DDR_CS_N0_504	AD30	DDR4-CS
VCC_PSINTFF_DDR	PS_DDR_CS_N1_504	AD29	
VCC_PSINTFF_DDR	PS_DDR_BA0_504	AD27	DDR4-BA0
VCC_PSINTFF_DDR	PS_DDR_BA1_504	AC26	DDR4-BA1
VCC_PSINTFF_DDR	PS_DDR_BG0_504	AC28	DDR4-BG0
VCC_PSINTFF_DDR	PS_DDR_BG1_504	AC27	DDR4-BG1
VCC_PSINTFF_DDR	PS_DDR_PARITY_504	AB26	DDR4-PAR
VCC_PSINTFF_DDR	PS_DDR_RAM_RST_N_504	AB25	DDR4-RESET
VCC_PSINTFF_DDR	PS_DDR_ACT_N_504	AD26	DDR4-ACT
VCC_PSINTFF_DDR	PS_DDR_ALERT_N_504	AB24	DDR4-ALERT
VCC_PSINTFF_DDR	PS_DDR_ZQ_504	AB23	
VCC_PSINTFF_DDR	PS_DDR_ODT0_504	AB30	DDR4-ODT0
VCC_PSINTFF_DDR	PS_DDR_ODT1_504	AC29	

XCZU4CG-1FBVB90014524

AE30	DDR4-CLK0_P
AF30	DDR4-CLK0_N
AC30	DDR4-CKE0
AF28	
AG28	
AB28	
AH30	DDR4-A0
AG30	DDR4-A1
AK29	DDR4-A2
AJ30	DDR4-A3
AK28	DDR4-A4
AK27	DDR4-A5
AF27	DDR4-A6
AE27	DDR4-A7
AF26	DDR4-A8
AG26	DDR4-A9
AE29	DDR4-A10
AE28	DDR4-A11
AH29	DDR4-A12
AG29	DDR4-A14
AJ29	DDR4-A15
AH27	DDR4-A16
AJ27	DDR4-A17
AD30	DDR4-CS
AD29	
AD27	DDR4-BA0
AC26	DDR4-BA1
AC28	DDR4-BG0
AC27	DDR4-BG1
AB26	DDR4-PAR
AB25	DDR4-RESET
AD26	DDR4-ACT
AB24	DDR4-ALERT
AB23	
AB30	DDR4-ODT0
AC29	



UIK BANK 504 PSDDR

DQ0	AH22	PS_DDR_DQ0_504	PS_DDR_DQ32_504	U24	DQ32
DQ1	AH21	PS_DDR_DQ1_504	PS_DDR_DQ33_504	V23	DQ33
DQ2	AJ22	PS_DDR_DQ2_504	PS_DDR_DQ34_504	U25	DQ34
DQ3	AK22	PS_DDR_DQ3_504	PS_DDR_DQ35_504	V24	DQ35
DQ4	AK20	PS_DDR_DQ4_504	PS_DDR_DQ36_504	Y25	DQ36
DQ5	AJ19	PS_DDR_DQ5_504	PS_DDR_DQ37_504	AA23	DQ37
DQ6	AK19	PS_DDR_DQ6_504	PS_DDR_DQ38_504	AA25	DQ38
DQ7	AH19	PS_DDR_DQ7_504	PS_DDR_DQ39_504	Y23	DQ39
DQ8	AH23	PS_DDR_DQ8_504	PS_DDR_DQ40_504	P23	DQ40
DQ9	AK23	PS_DDR_DQ9_504	PS_DDR_DQ41_504	R23	DQ41
DQ10	AG24	PS_DDR_DQ10_504	PS_DDR_DQ42_504	T23	DQ42
DQ11	AK24	PS_DDR_DQ11_504	PS_DDR_DQ43_504	P26	DQ43
DQ12	AJ26	PS_DDR_DQ12_504	PS_DDR_DQ44_504	T25	DQ44
DQ13	AK25	PS_DDR_DQ13_504	PS_DDR_DQ45_504	U23	DQ45
DQ14	AG25	PS_DDR_DQ14_504	PS_DDR_DQ46_504	T26	DQ46
DQ15	AH26	PS_DDR_DQ15_504	PS_DDR_DQ47_504	P24	DQ47
DQ16	AD22	PS_DDR_DQ16_504	PS_DDR_DQ48_504	U26	DQ48
DQ17	AE22	PS_DDR_DQ17_504	PS_DDR_DQ49_504	U26	DQ49
DQ18	AF22	PS_DDR_DQ18_504	PS_DDR_DQ50_504	U28	DQ50
DQ19	AG21	PS_DDR_DQ19_504	PS_DDR_DQ51_504	V27	DQ51
DQ20	AD20	PS_DDR_DQ20_504	PS_DDR_DQ52_504	U30	DQ52
DQ21	AF20	PS_DDR_DQ21_504	PS_DDR_DQ53_504	V30	DQ53
DQ22	AE20	PS_DDR_DQ22_504	PS_DDR_DQ54_504	W30	DQ54
DQ23	AG20	PS_DDR_DQ23_504	PS_DDR_DQ55_504	W29	DQ55
DQ24	AG23	PS_DDR_DQ24_504	PS_DDR_DQ56_504	R30	DQ56
DQ25	AF23	PS_DDR_DQ25_504	PS_DDR_DQ57_504	T30	DQ57
DQ26	AF25	PS_DDR_DQ26_504	PS_DDR_DQ58_504	P30	DQ58
DQ27	AE23	PS_DDR_DQ27_504	PS_DDR_DQ59_504	P29	DQ59
DQ28	AC22	PS_DDR_DQ28_504	PS_DDR_DQ60_504	T28	DQ60
DQ29	AC23	PS_DDR_DQ29_504	PS_DDR_DQ61_504	T27	DQ61
DQ30	AD25	PS_DDR_DQ30_504	PS_DDR_DQ62_504	P27	DQ62
DQ31	AC24	PS_DDR_DQ31_504	PS_DDR_DQ63_504	R27	DQ63
		PS_DDR_DQ64_504	PS_DDR_DQ64_504	AB29	
		PS_DDR_DQ65_504	PS_DDR_DQ65_504	AA30	
		PS_DDR_DQ66_504	PS_DDR_DQ66_504	Y30	
		PS_DDR_DQ67_504	PS_DDR_DQ67_504	Y29	
		PS_DDR_DQ68_504	PS_DDR_DQ68_504	AA26	
		PS_DDR_DQ69_504	PS_DDR_DQ69_504	W27	
		PS_DDR_DQ70_504	PS_DDR_DQ70_504	Y27	
		PS_DDR_DQ71_504	PS_DDR_DQ71_504	W26	
		PS_DDR_DQ8_504	PS_DDR_DM0_504	AJ20	DDR4-DM0
		PS_DDR_DQ9_504	PS_DDR_DM1_504	AJ25	DDR4-DM1
		PS_DDR_DQ10_504	PS_DDR_DM2_504	AF21	DDR4-DM2
		PS_DDR_DQ11_504	PS_DDR_DM3_504	AE25	DDR4-DM3
		PS_DDR_DQ12_504	PS_DDR_DM4_504	Y24	DDR4-DM4
		PS_DDR_DQ13_504	PS_DDR_DM5_504	R24	DDR4-DM5
		PS_DDR_DQ14_504	PS_DDR_DM6_504	V28	DDR4-DM6
		PS_DDR_DQ15_504	PS_DDR_DM7_504	P28	DDR4-DM7
		PS_DDR_DQ16_504	PS_DDR_DM8_504	AA27	
		PS_DDR_DQ17_504			
		PS_DDR_DQ18_504			
		PS_DDR_DQ19_504			
		PS_DDR_DQ20_504			
		PS_DDR_DQ21_504			
		PS_DDR_DQ22_504			
		PS_DDR_DQ23_504			
		PS_DDR_DQ24_504			
		PS_DDR_DQ25_504			
		PS_DDR_DQ26_504			
		PS_DDR_DQ27_504			
		PS_DDR_DQ28_504			
		PS_DDR_DQ29_504			
		PS_DDR_DQ30_504			
		PS_DDR_DQ31_504			

XCZU4CG-1FBVB90014524



Title: TE0807 - PS_DDR		
A4	Number: TE0807 4AI21-C	Rev. 03
Date: 2020-05-08	Copyright: Trenz Electronic GmbH / TT	Page 15 of 29
Filename: PS_DDR.SchDoc		

1

2

3

4

A

A

B

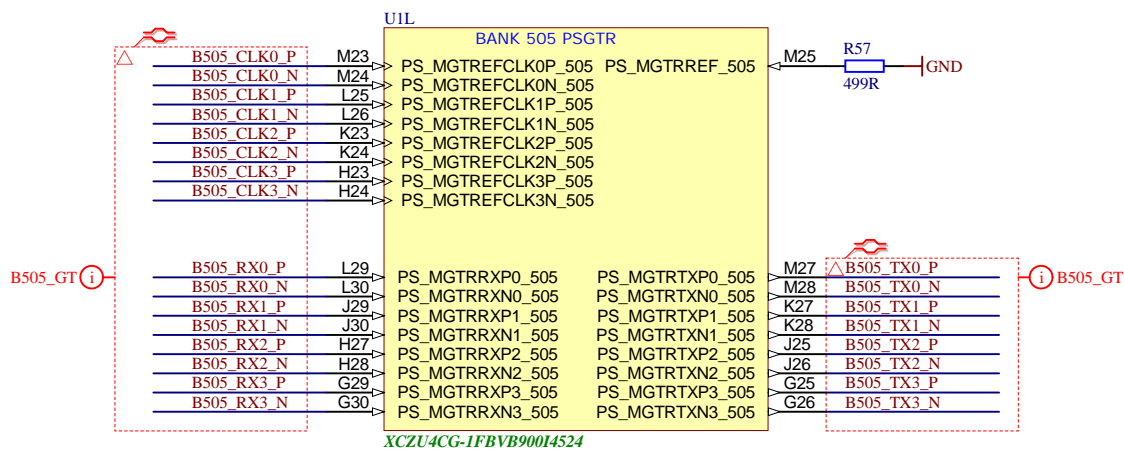
B

C

C

D

D



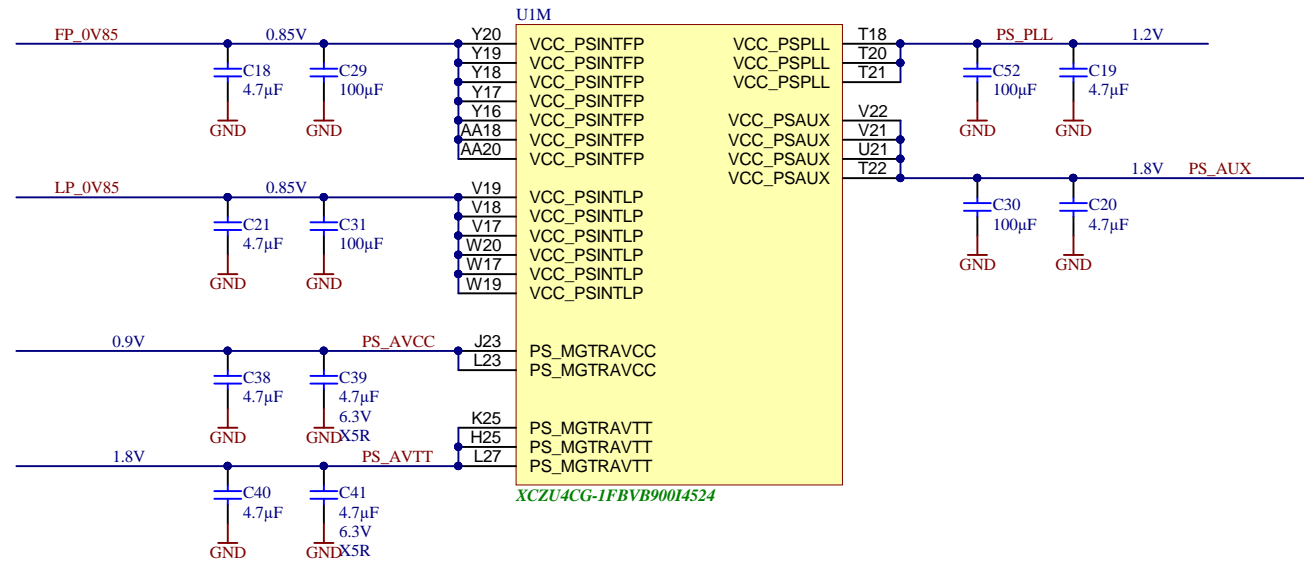
Title: TE0807 - PS_GT		
A4	Number: TE0807 4AI21-C	Rev. 03
Date: 2020-05-08	Copyright: Trenz Electronic GmbH / TT	Page 16 of 29
Filename: B_PS_GT.SchDoc		


1

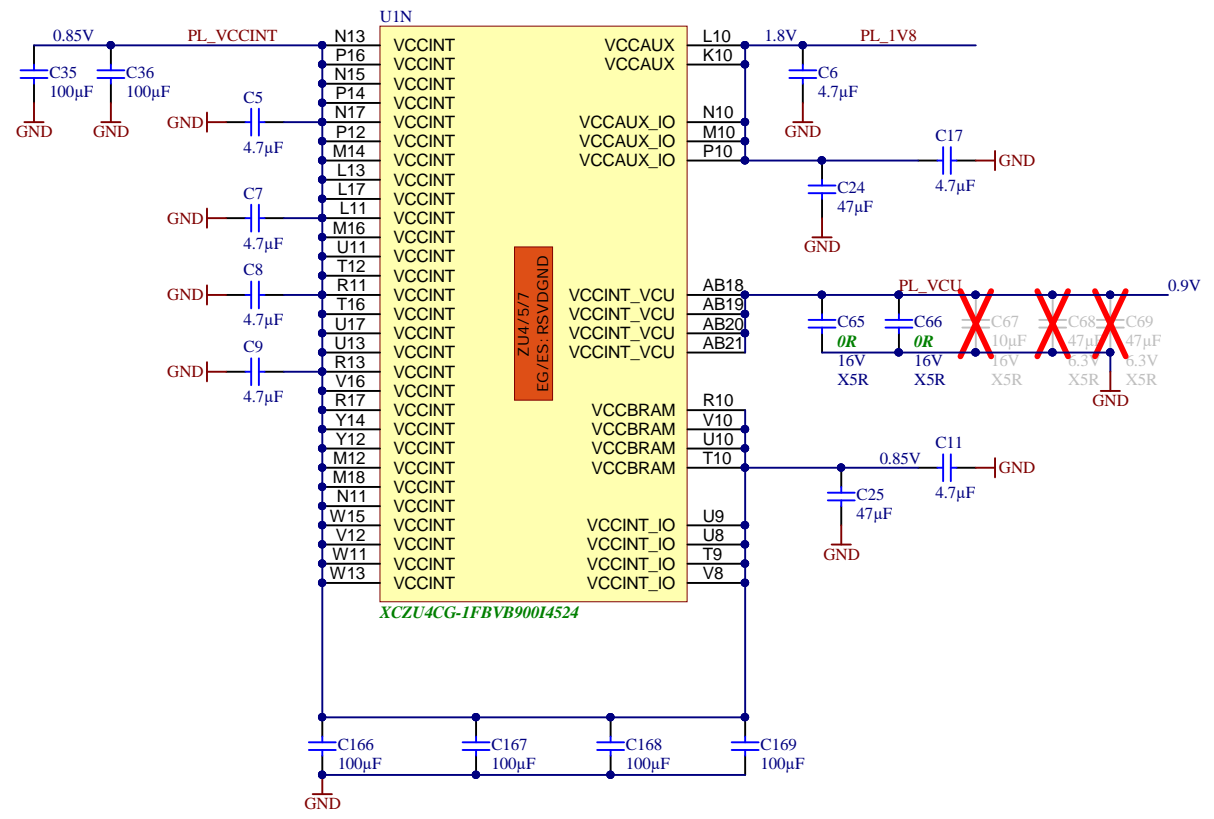
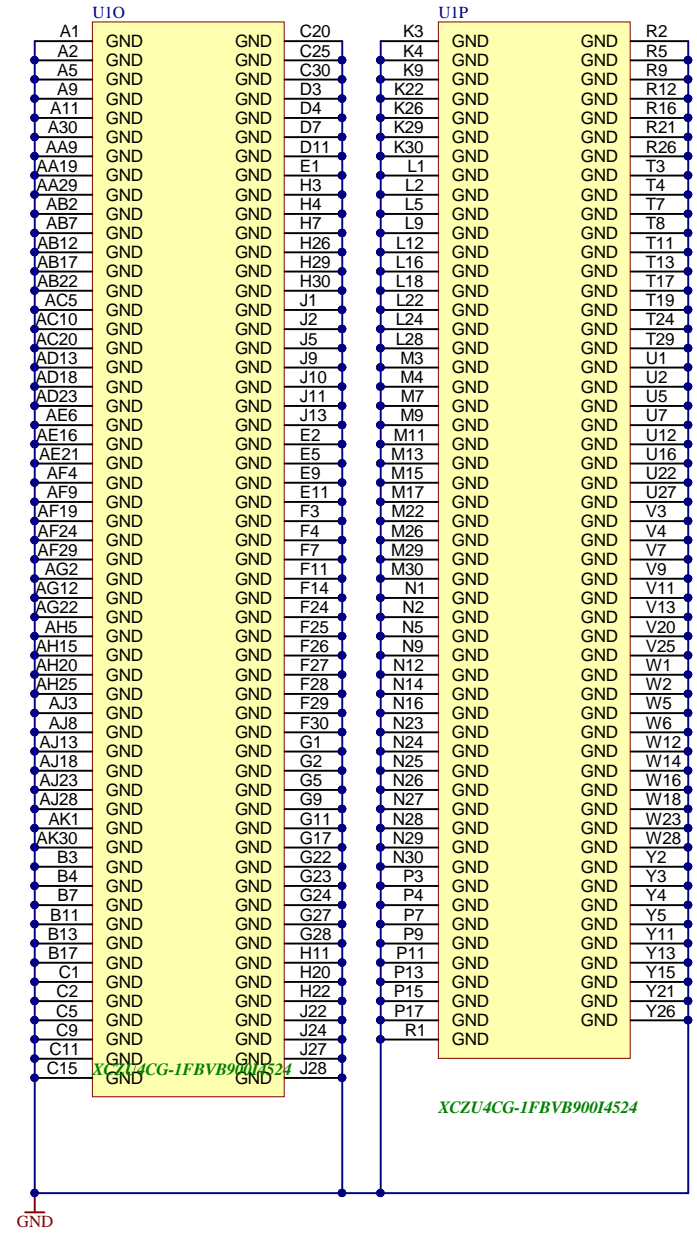
2

3

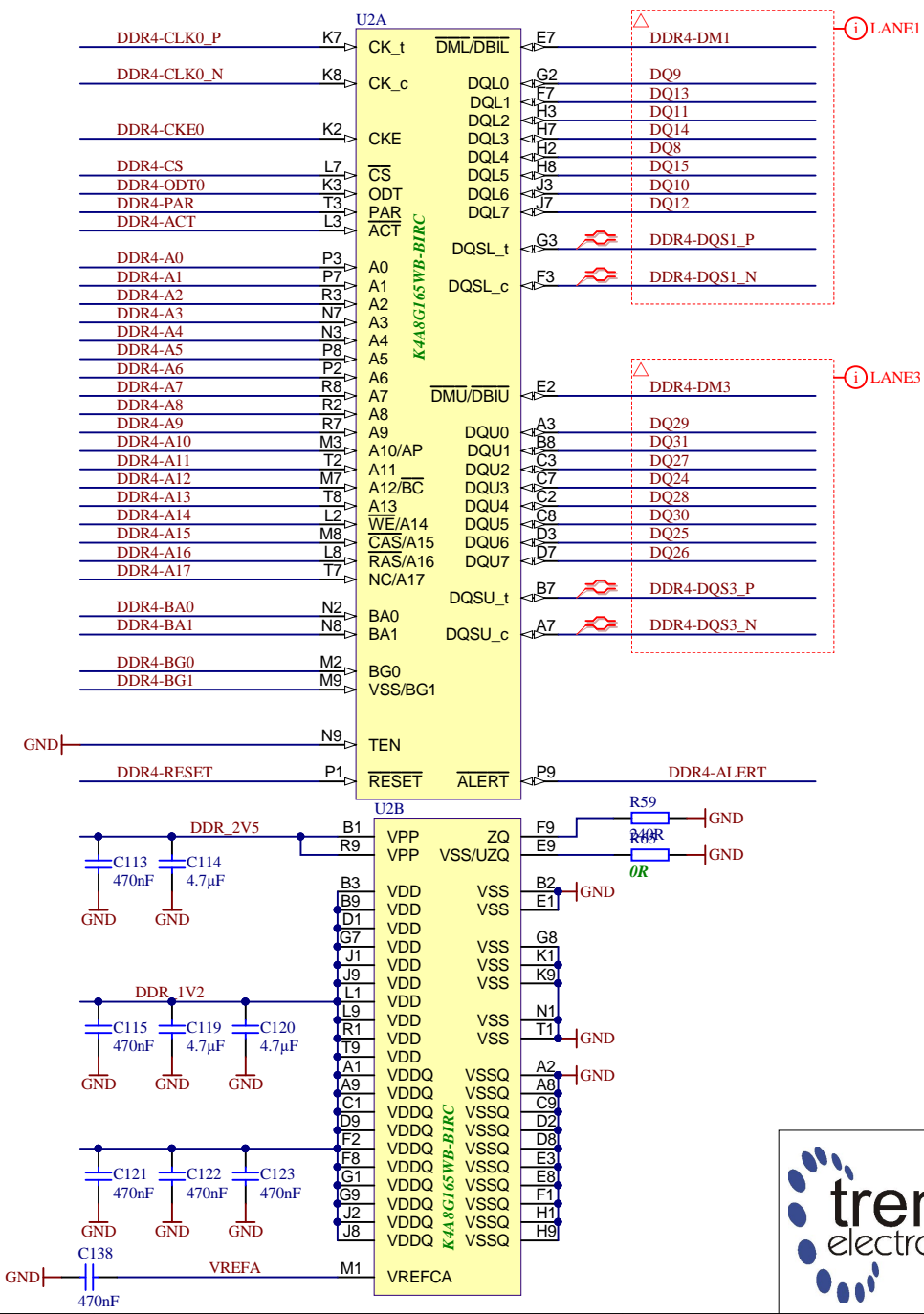
4



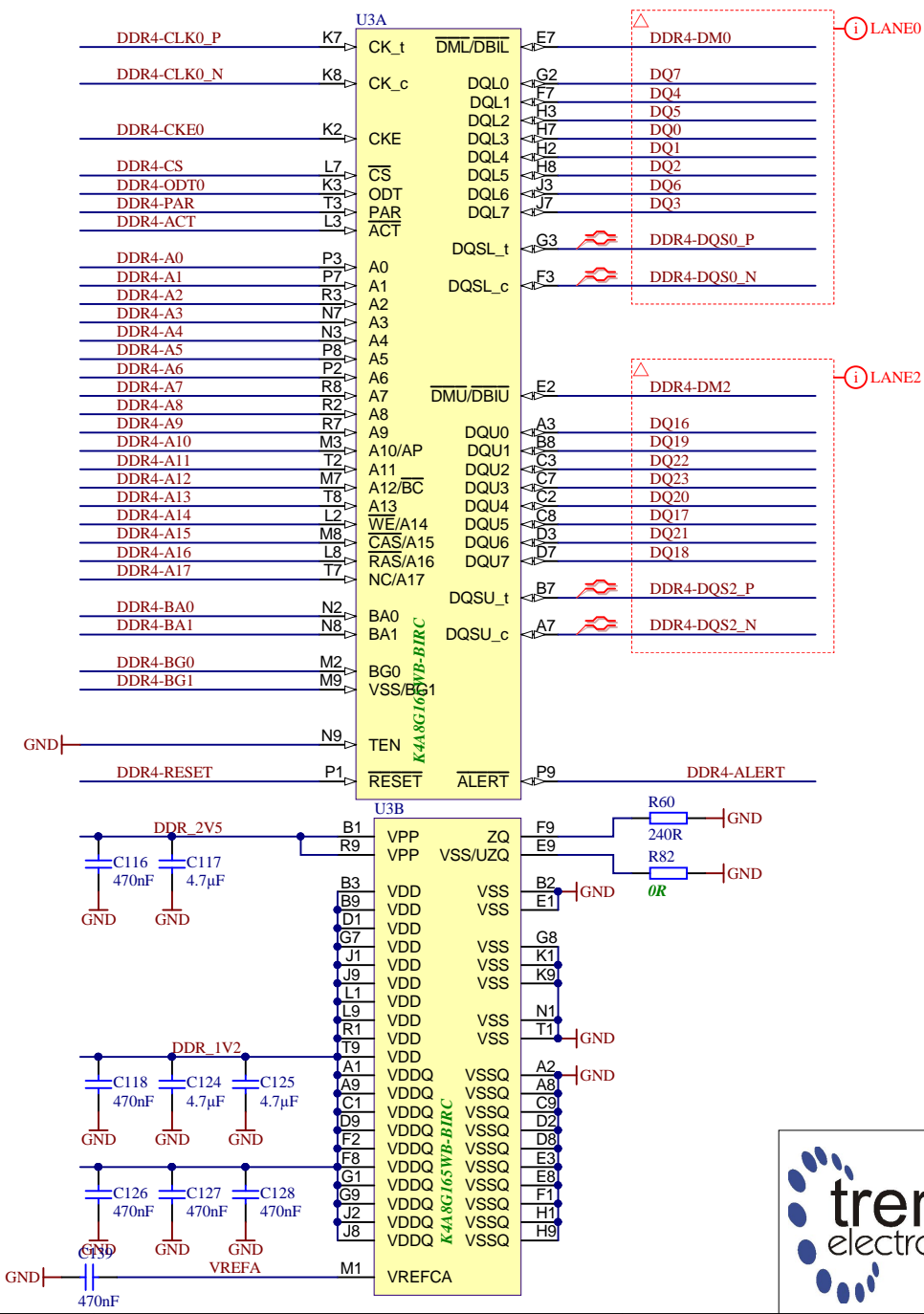

	Title: TE0807 - ZU_PS_POWER		
	A4	Number: TE0807 4AI21-C	Rev. 03
	Date: 2020-05-08	Copyright: Trenz Electronic GmbH / TT	Page 17 of 29
	Filename: ZU_PS_POWER.SchDoc		



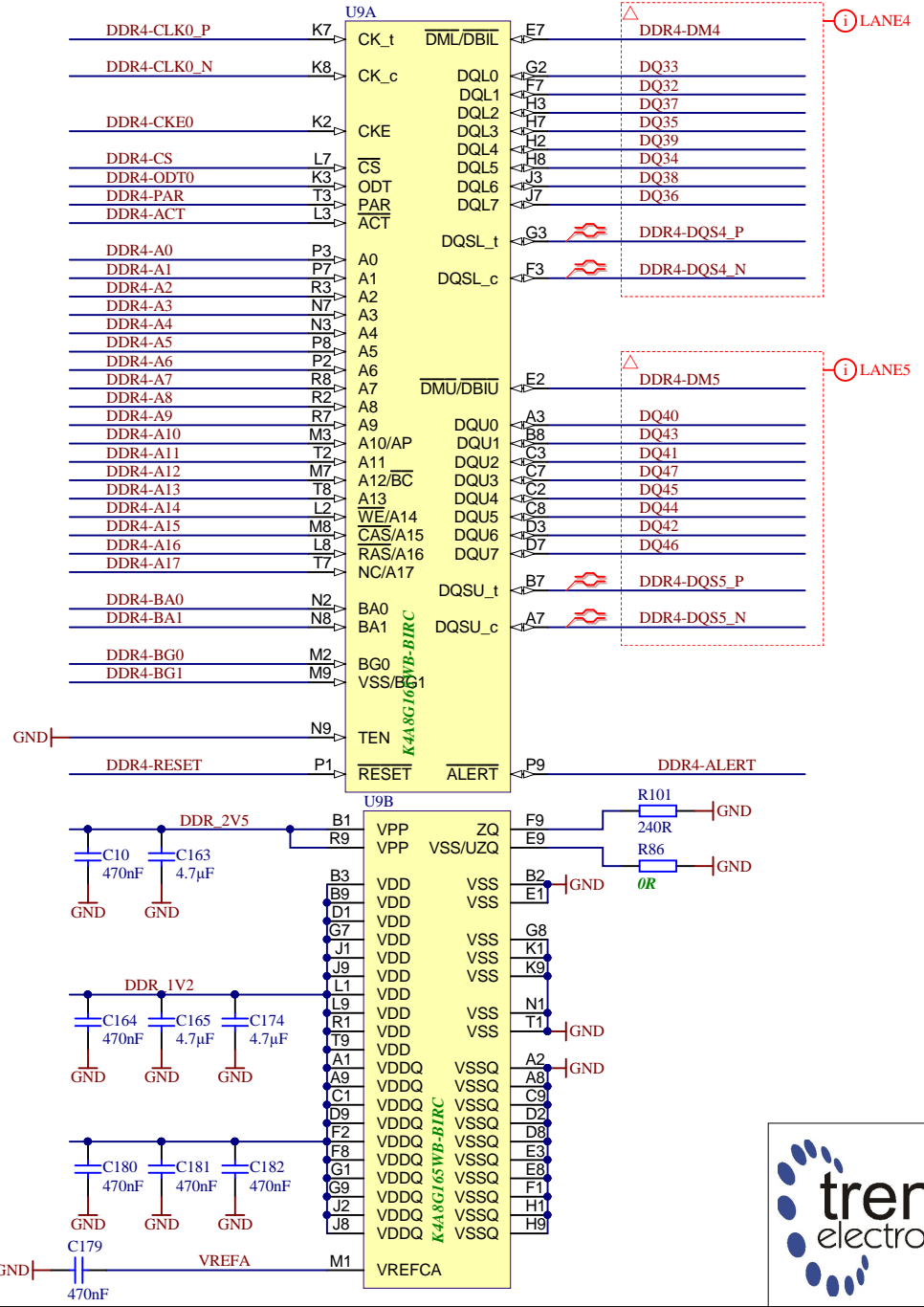
	Title: TE0807 - ZU_POWER		
	A4	Number: TE0807 4AI21-C	Rev. 03
	Date: 2020-05-08	Copyright: Trenz Electronic GmbH / TT	Page 18 of 29
	Filename: ZU_POWER.SchDoc		



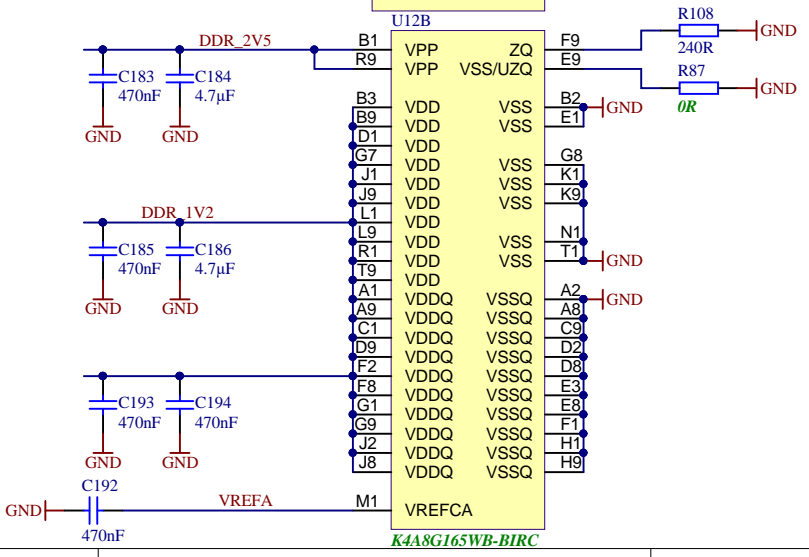
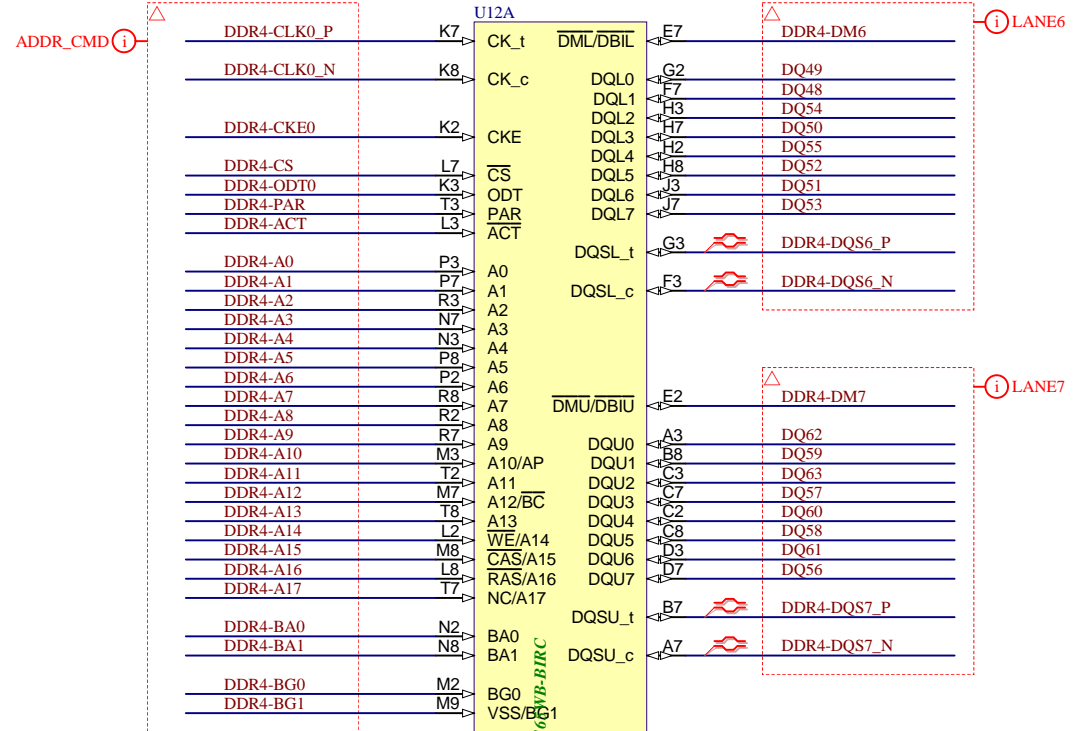
Title: TE0807 - DDR4_1_RAM		
A4	Number: TE0807 4A121-C	Rev. 03
Date: 2020-05-08	Copyright: Trenz Electronic GmbH / TT	Page 19 of 29
Filename: DDR4-RAM.SchDoc		

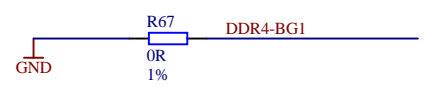
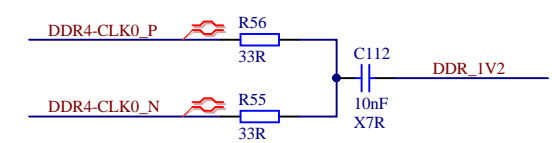
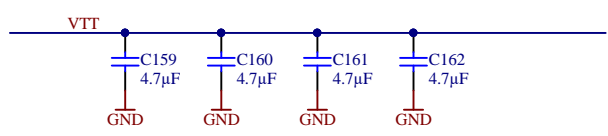
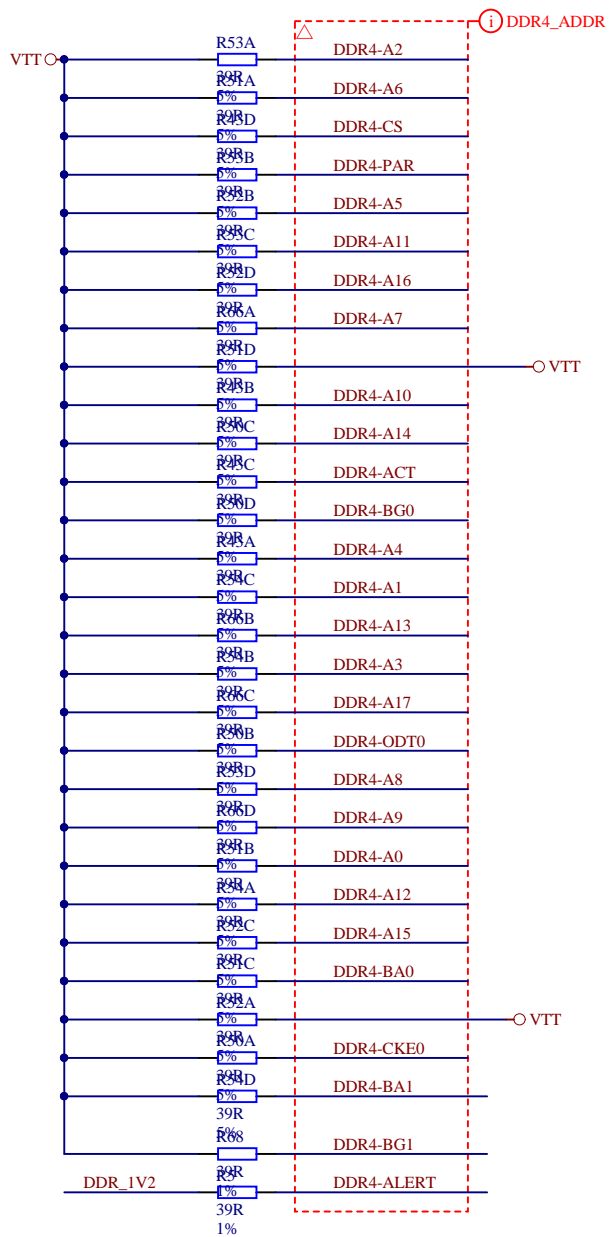
Title: TE0807 - DDR4_2_RAM		
A4	Number: TE0807 4A121-C	Rev. 03
Date: 2020-05-08	Copyright: Trenz Electronic GmbH / TT	Page 20 of 29
Filename: DDR4-RAM_2.SchDoc		



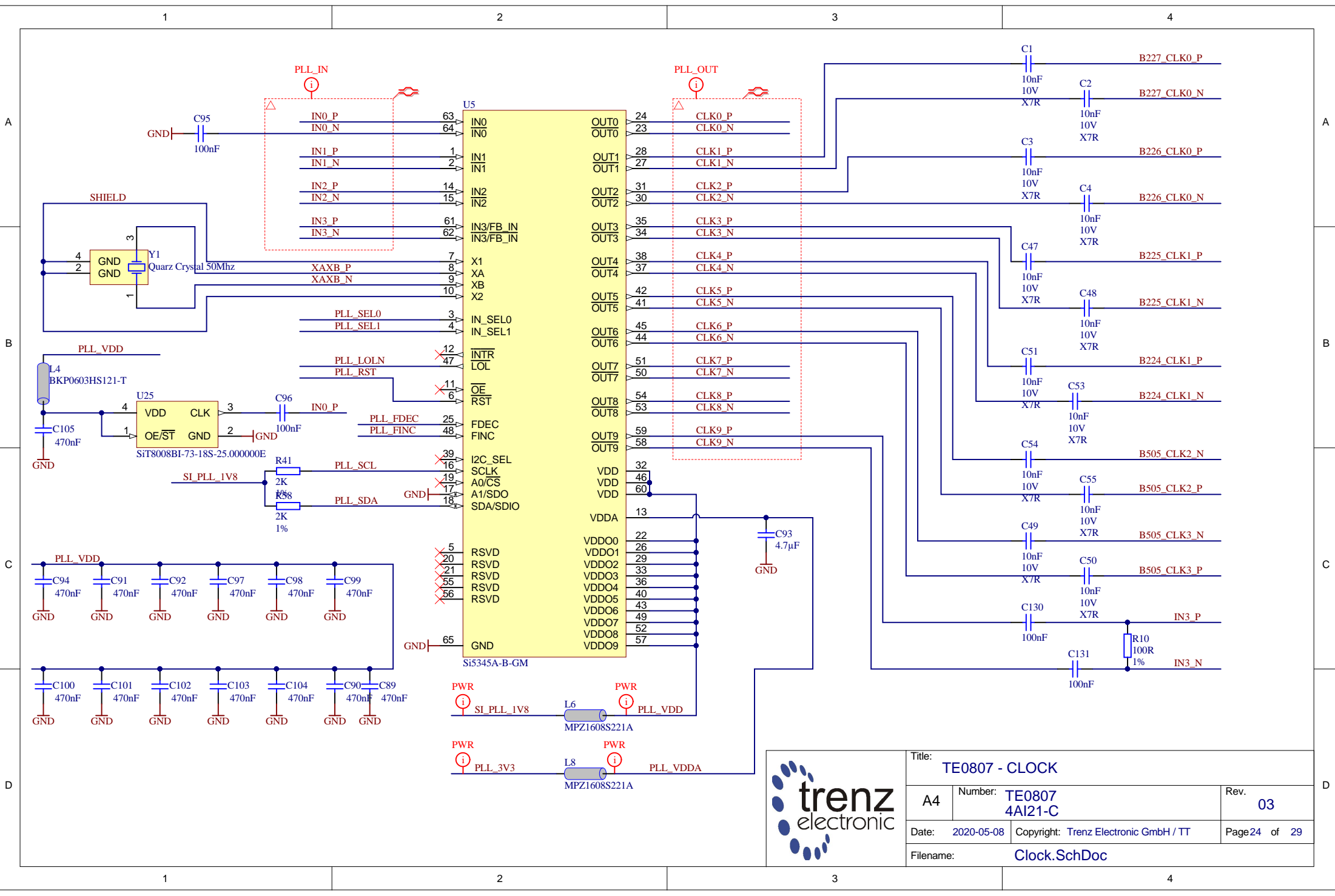
Title: TE0807 - DDR4_3_RAM		
A4	Number: TE0807 4AI21-C	Rev. 03
Date: 2020-05-08	Copyright: Trenz Electronic GmbH / TT	Page 21 of 29
Filename: DDR4-RAM_3.SchDoc		



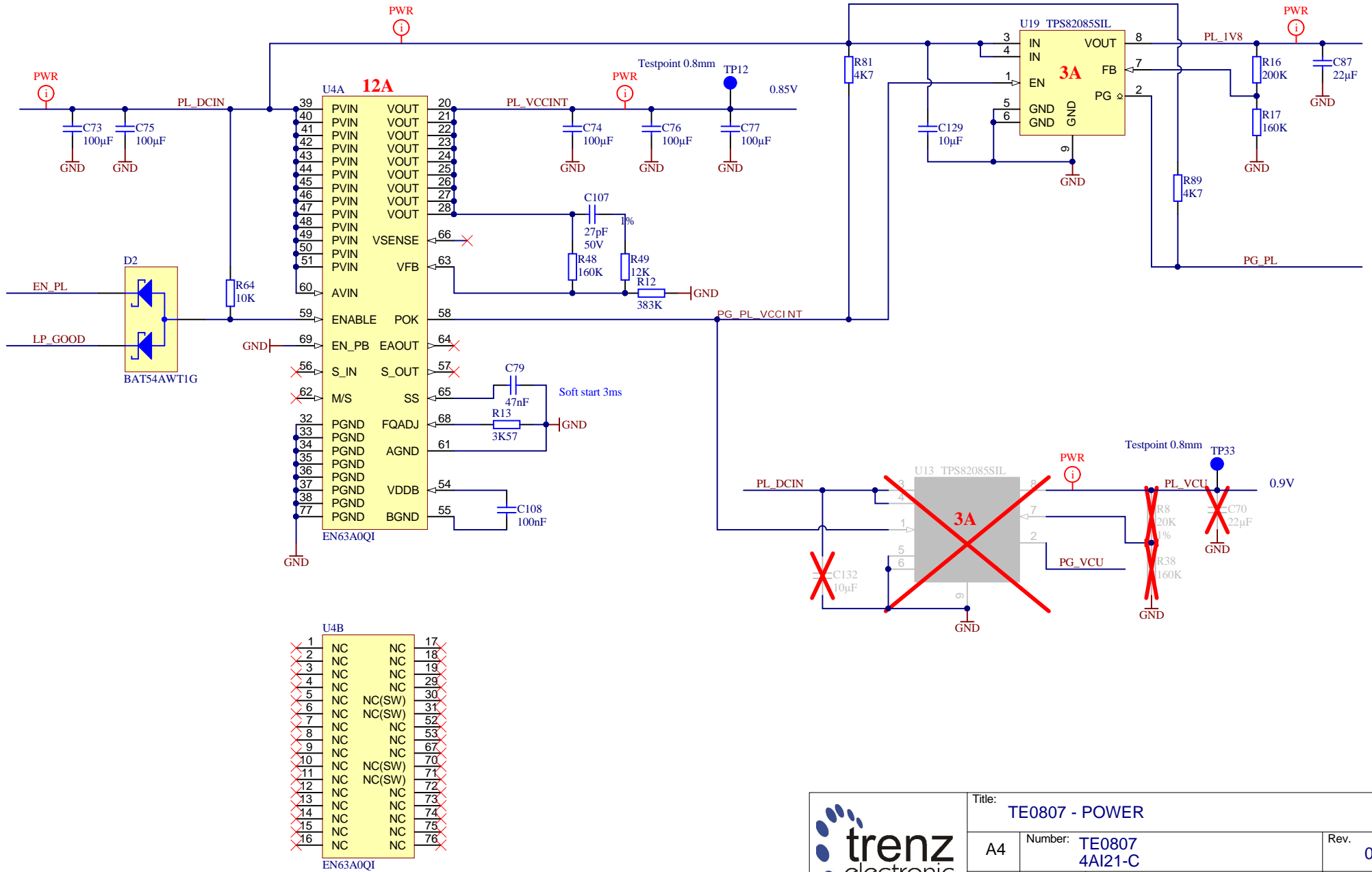
Title: TE0807 - DDR4_4_RAM		
A4	Number: TE0807 4AI21-C	Rev. 03
Date: 2020-05-08	Copyright: Trenz Electronic GmbH / TT	Page 22 of 29
Filename: DDR4-RAM_4.SchDoc		



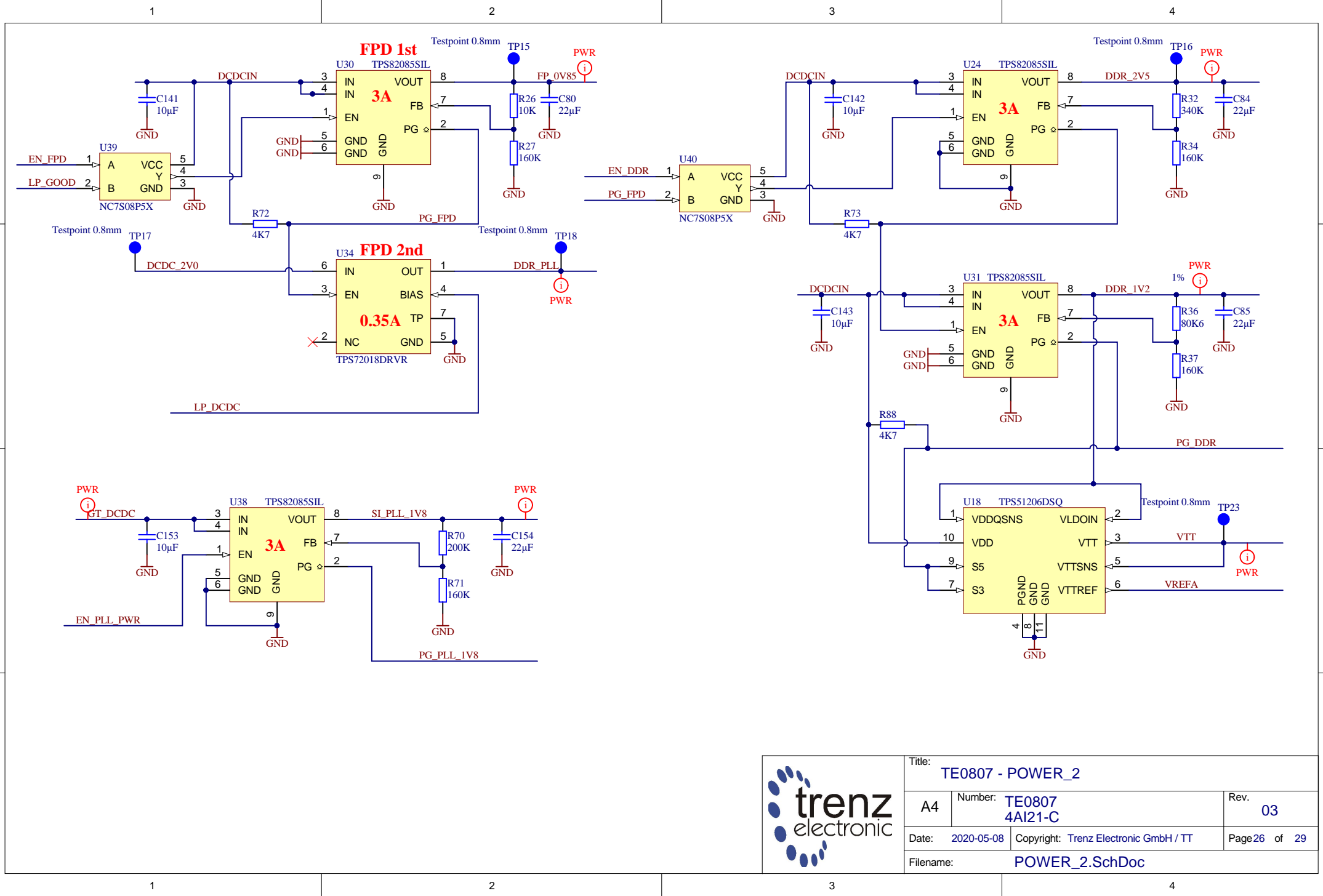
Title: TE0807 - DDR4_TERM		
A4	Number: TE0807 4AI21-C	Rev. 03
Date: 2020-05-08	Copyright: Trenz Electronic GmbH / TT	Page 23 of 29
Filename: DDR4-TERM.SchDoc		




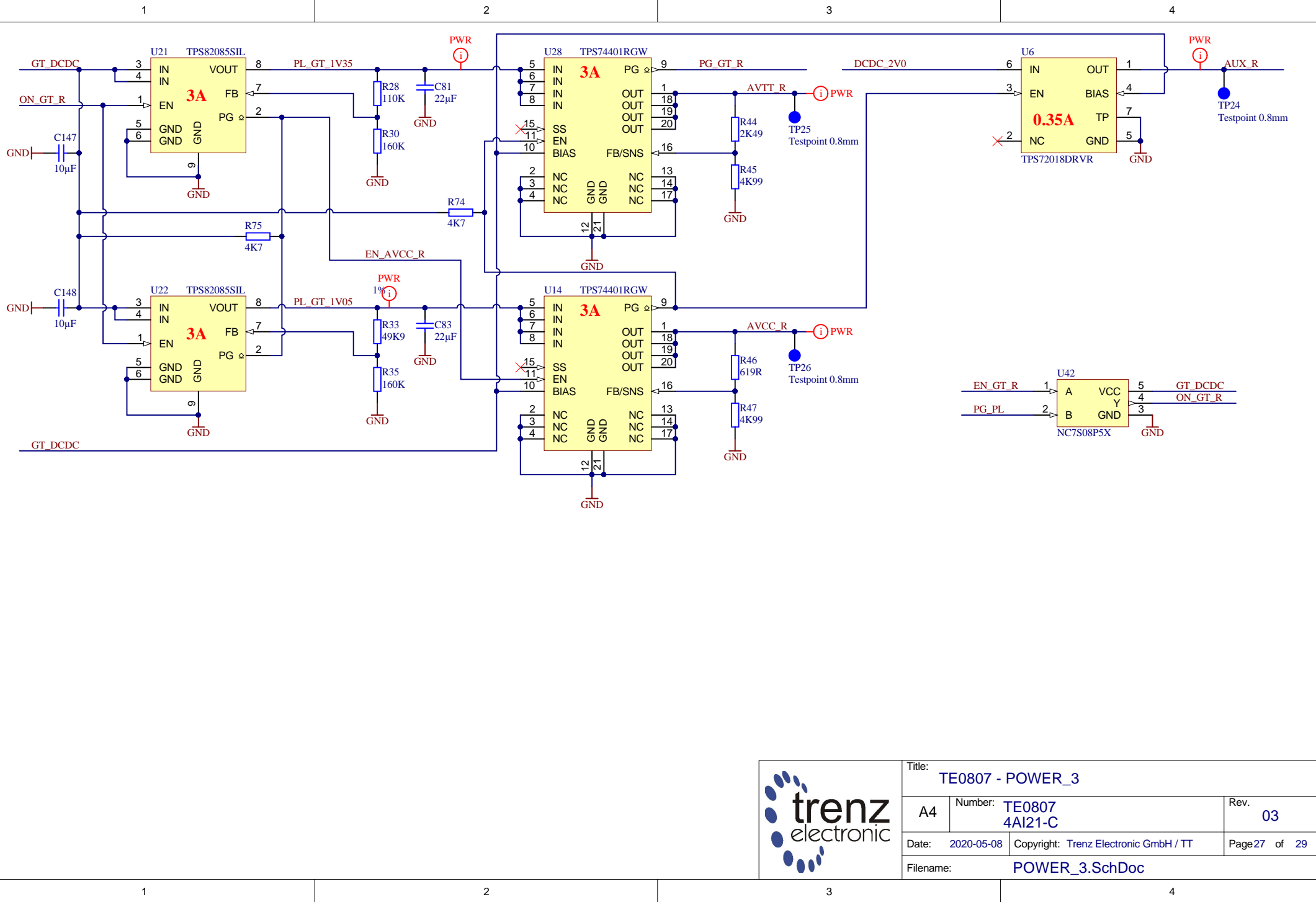
Title: TE0807 - CLOCK		
A4	Number: TE0807 4AI21-C	Rev. 03
Date: 2020-05-08	Copyright: Trenz Electronic GmbH / TT	Page 24 of 29
Filename: Clock.SchDoc		




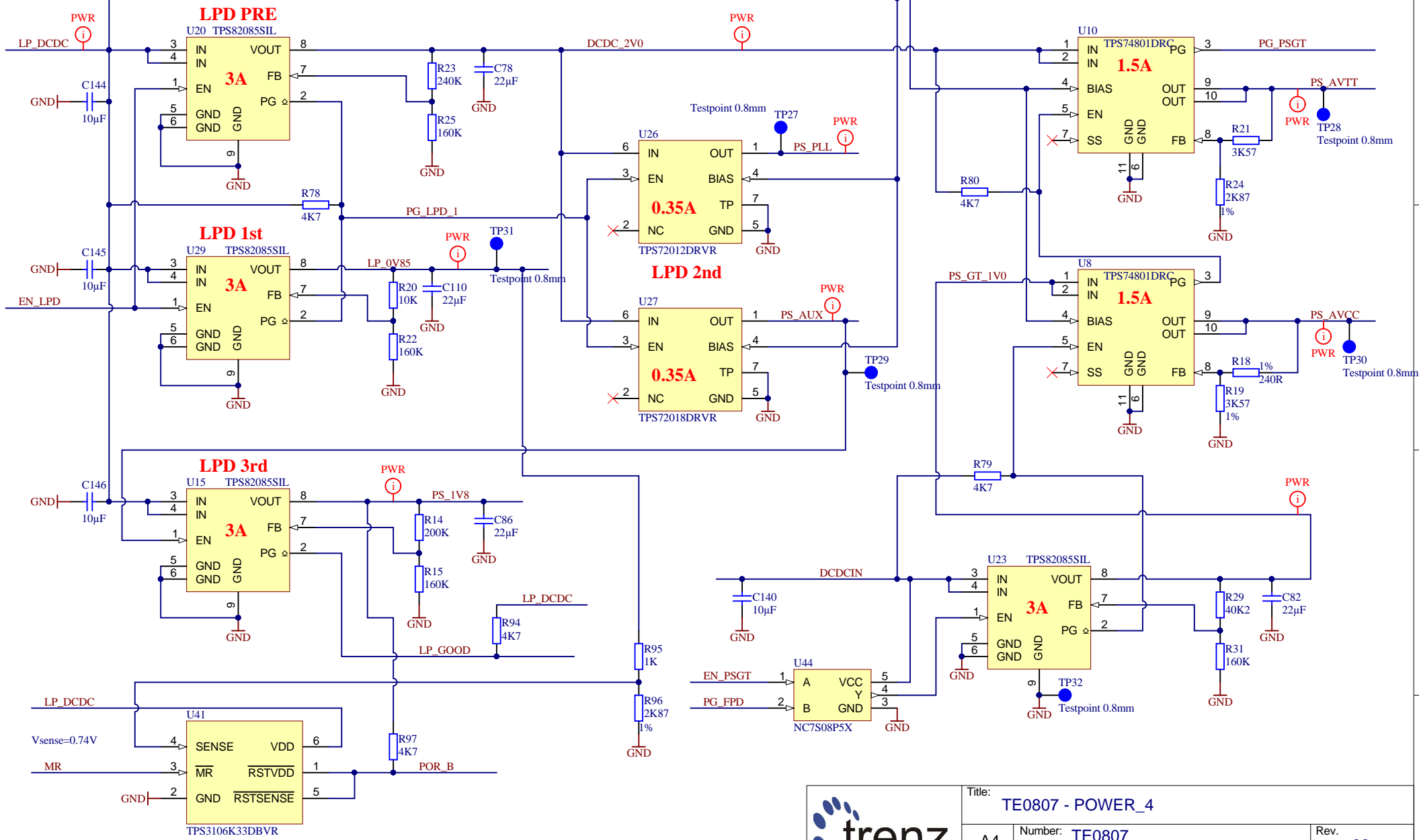
	Title: TE0807 - POWER		
	A4	Number: TE0807 4A121-C	Rev. 03
	Date: 2020-05-08	Copyright: Trenz Electronic GmbH / TT	
	Filename: POWER.SchDoc	Page 25 of 29	



		Title: TE0807 - POWER_2	
		A4	Number: TE0807 4AI21-C
Date: 2020-05-08		Copyright: Trenz Electronic GmbH / TT	
Page 26 of 29		Page 26 of 29	
Filename: POWER_2.SchDoc			



			Title: TE0807 - POWER_3	
			A4	Number: TE0807 4AI21-C
Date: 2020-05-08		Copyright: Trenz Electronic GmbH / TT		Page 27 of 29
Filename: POWER_3.SchDoc				



Title: TE0807 - POWER_4		
A4	Number: TE0807 4AI21-C	Rev. 03
Date: 2020-05-08	Copyright: Trenz Electronic GmbH / TT	Page 28 of 29
Filename: POWER_4.SchDoc		

1

2

3

4

1

2

3

4

CHANGES REV01 to REV02

- 1) Added EEPROM (U11,24AA025E48T-I/OT)
- 2) Added optional resistors R39/R40 for QSPI flash (do not populated)
- 3) Fixed VCU connection (added additional DCDC and capacitors), recommendation from Xilinx
- 4) Changed obsolete DDR4 chips (NT5AD256M16B2-GN -> K4A8G165WB-BIRC)
- 5) Added net "PG_VCU" to J2 (pin97)
- 6) full update lib

CHANGES REV02 to REV03 (06.2020)

- VT: 1) Fixed ADC connection
 2) Fixed DDR4 connection (support B-die DDR4 chips)
 3) Fixed DDR4 connection (alert_n pin connection)
 4) Added U16
 4) Added testpoints
 5) Full update LIB

A

A

B


B

C

C

D

D

	Title: TE0807 - Changes list		
	A4	Number: TE0807 4AI21-C	Rev. 03
	Date: 2020-05-08	Copyright: Trenz Electronic GmbH	Page 29 of 29
	Filename: Revision_Changes.SchDoc		

1

2

3

4