


Regarding the usage of our schematics and alike documentation for Trenz module Project.

Project is protected under copyright and we strongly and strictly prohibit the reverse engineering or recreation, even if the design is just adapted or modified. Project is protected under such right and in case of plagiarism we will have to do anything necessary in order to protect our assets.

Schematics and other handouts serve for informational purposes only!

	Title: <b>TE0807 - Legal Notices</b>		
	A4	Number: <b>TE0807 4AI21-X</b>	Rev. <b>03</b>
	Date: <b>2020-05-08</b>	Copyright: <b>Trenz Electronic GmbH / TT</b>	Page <b>1</b> of <b>29</b>
	Filename: <b>Legal Notices Modules.SchDoc</b>		

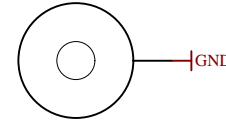
U\_J1  
J1.SchDoc  
U\_J2  
J2.SchDoc  
U\_J3  
J3.SchDoc  
U\_J4  
J4.SchDoc  
U\_DDR4-TERM  
DDR4-TERM.SchDoc  
U\_B64  
B64.SchDoc  
U\_B65  
B65.SchDoc  
U\_B66  
B66.SchDoc  
U\_B\_GT  
B\_GT.SchDoc  
U\_B\_GT\_2  
B\_GT\_2.SchDoc

U\_B\_PS\_GT  
B\_PS\_GT.SchDoc  
U\_PS\_DDR  
PS\_DDR.SchDoc  
U\_B\_MIO  
B\_MIO.SchDoc  
U\_B\_HD  
B\_HD.SchDoc  
U\_Clock  
Clock.SchDoc  
U\_CONFIG  
CONFIG.SchDoc  
U\_DDR4-RAM  
DDR4-RAM.SchDoc  
U\_DDR4-RAM\_2  
DDR4-RAM\_2.SchDoc  
U\_DDR4-RAM\_3  
DDR4-RAM\_3.SchDoc  
U\_DDR4-RAM\_4  
DDR4-RAM\_4.SchDoc

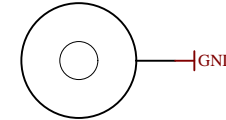
U\_DDR4-TERM  
DDR4-TERM.SchDoc  
U\_ZU\_POWER  
ZU\_POWER.SchDoc  
U\_ZU\_PS\_POWER  
ZU\_PS\_POWER.SchDoc  
U\_POWER  
POWER.SchDoc  
U\_POWER\_2  
POWER\_2.SchDoc  
U\_POWER\_3  
POWER\_3.SchDoc  
U\_POWER\_4  
POWER\_4.SchDoc

Special notes:

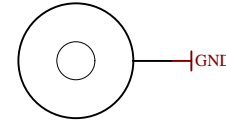
*U41 Power supervisor TPS3106K33DBVR replaced by Schottky diodes SBAS70-04LT1G*



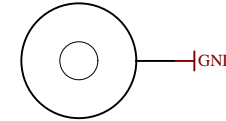
Mount.Hole 3.2mm für Unterlegscheibe



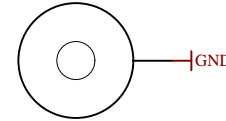
Mount.Hole 3.2mm für Unterlegscheibe



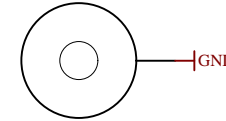
Mount.Hole 3.2mm für Unterlegscheibe



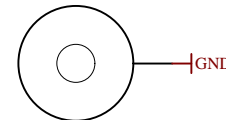
Mount.Hole 3.2mm für Unterlegscheibe



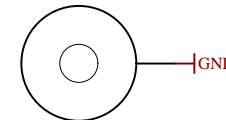
Mount.Hole 3.2mm für Unterlegscheibe



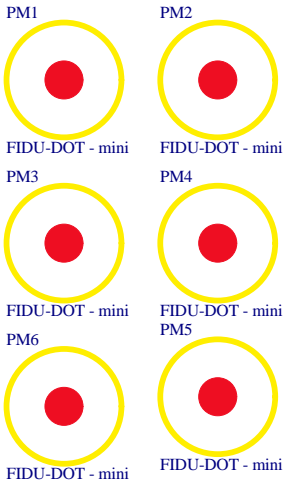
Mount.Hole 3.2mm für Unterlegscheibe



Mount.Hole 3.2mm für Unterlegscheibe



Mount.Hole 3.2mm für Unterlegscheibe

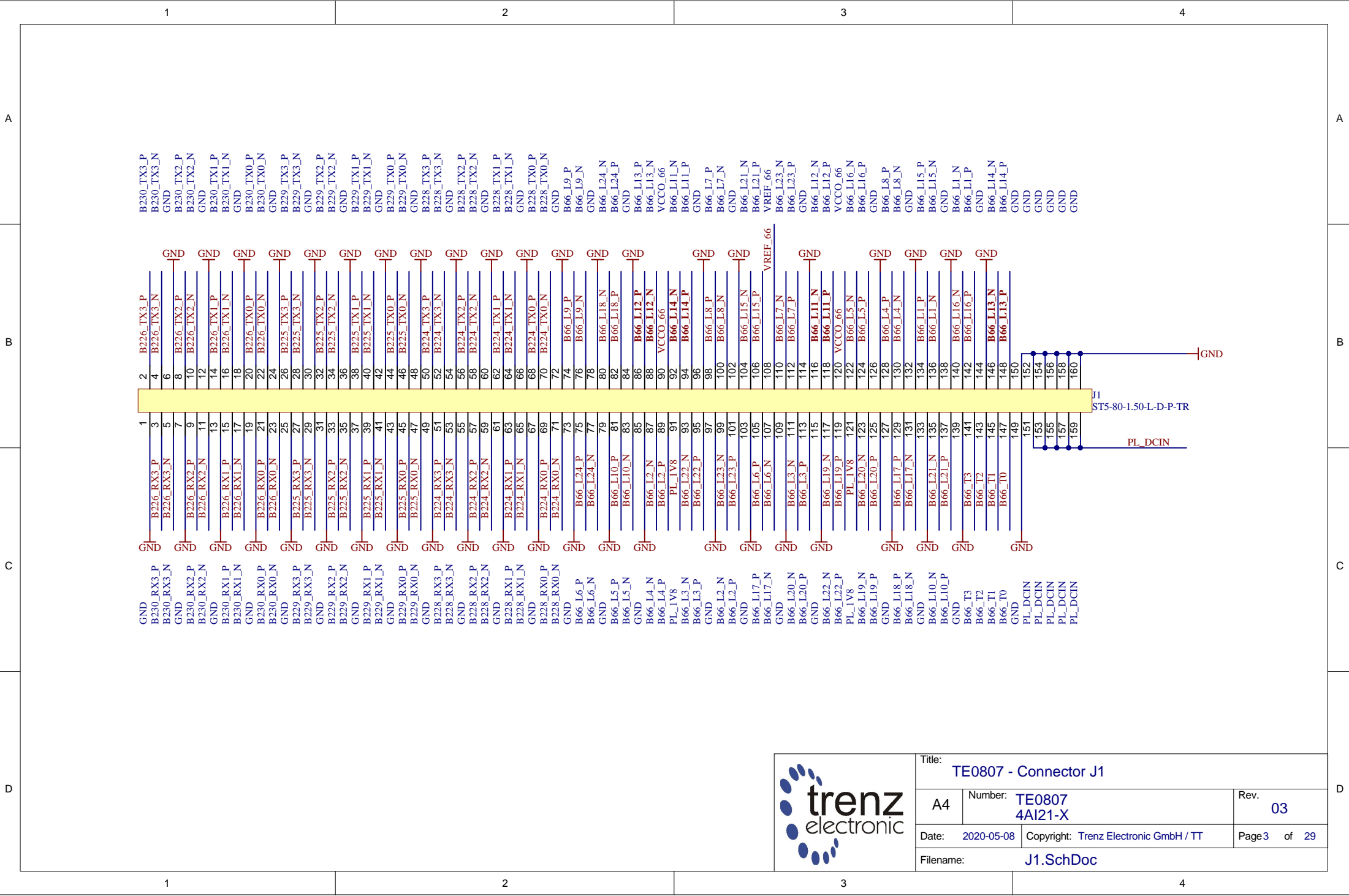


LOGO1  
TE Logo PRINT Layer  
LOGO PRINT

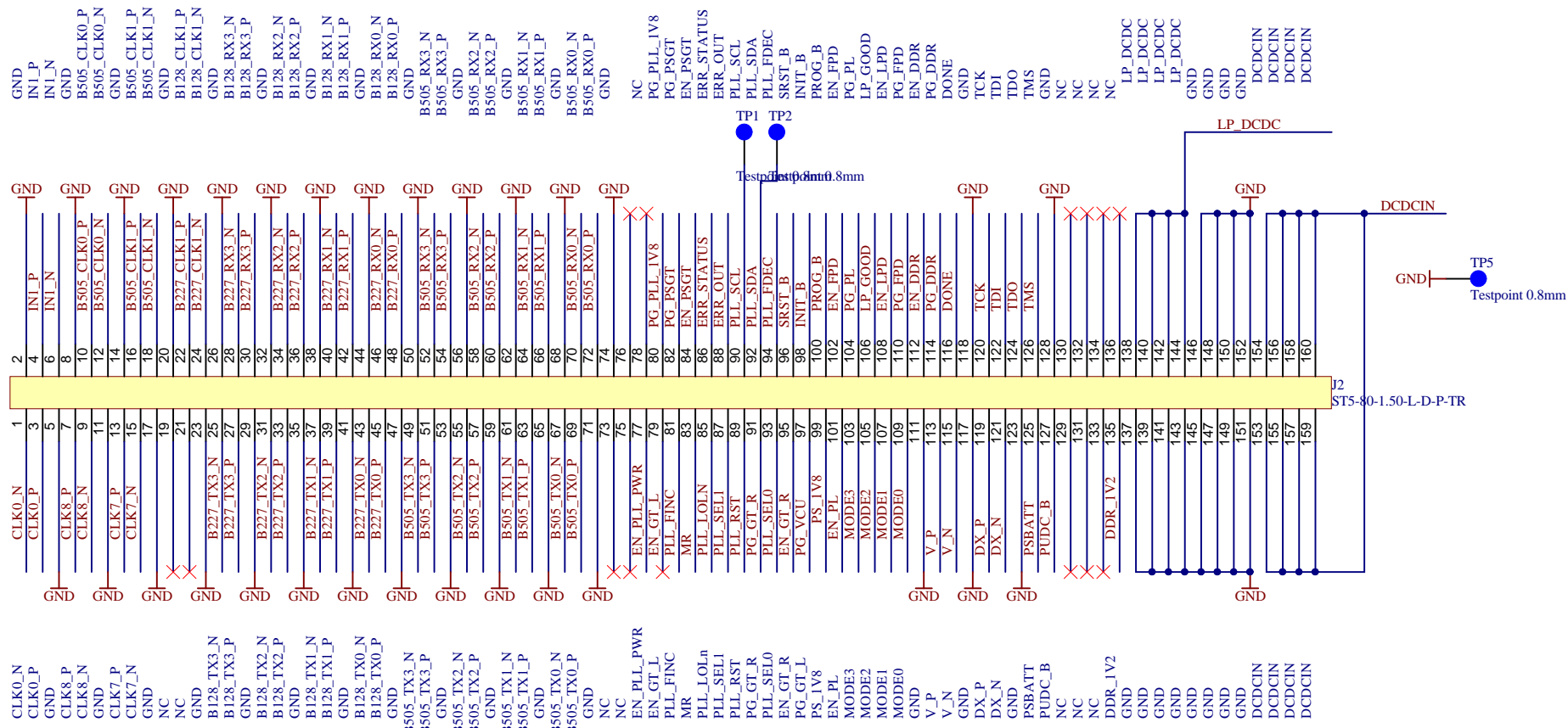
Serial  
Serialnummer 6,3 x 6,3mm

Assembly variant	4AI21-X
Created by	VY
Modified by	VT
Modified at	2020-03-23
SVN Revision	9271 [Locally Modified]

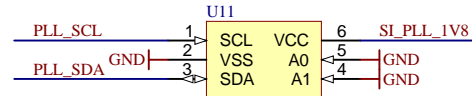
	Title: TE0807	
	A4	Number: TE0807 4AI21-X
	Date: 2020-05-08	Copyright: Trenz Electronic GmbH / TT
	Rev. 03	Page 2 of 29
Filename: TE0807.SchDoc		



Title: TE0807 - Connector J1		
A4	Number: TE0807 4AI21-X	Rev. 03
Date: 2020-05-08	Copyright: Trenz Electronic GmbH / TT	Page 3 of 29
Filename: J1.SchDoc		



EEPROM for MAC



Slave address: 101000x



Title: TE0807 - Connector J2		
A4	Number: TE0807 4AI21-X	Rev. 03
Date: 2020-05-08	Copyright: Trenz Electronic GmbH / TT	Page 4 of 29
Filename: J2.SchDoc		

A

B

C

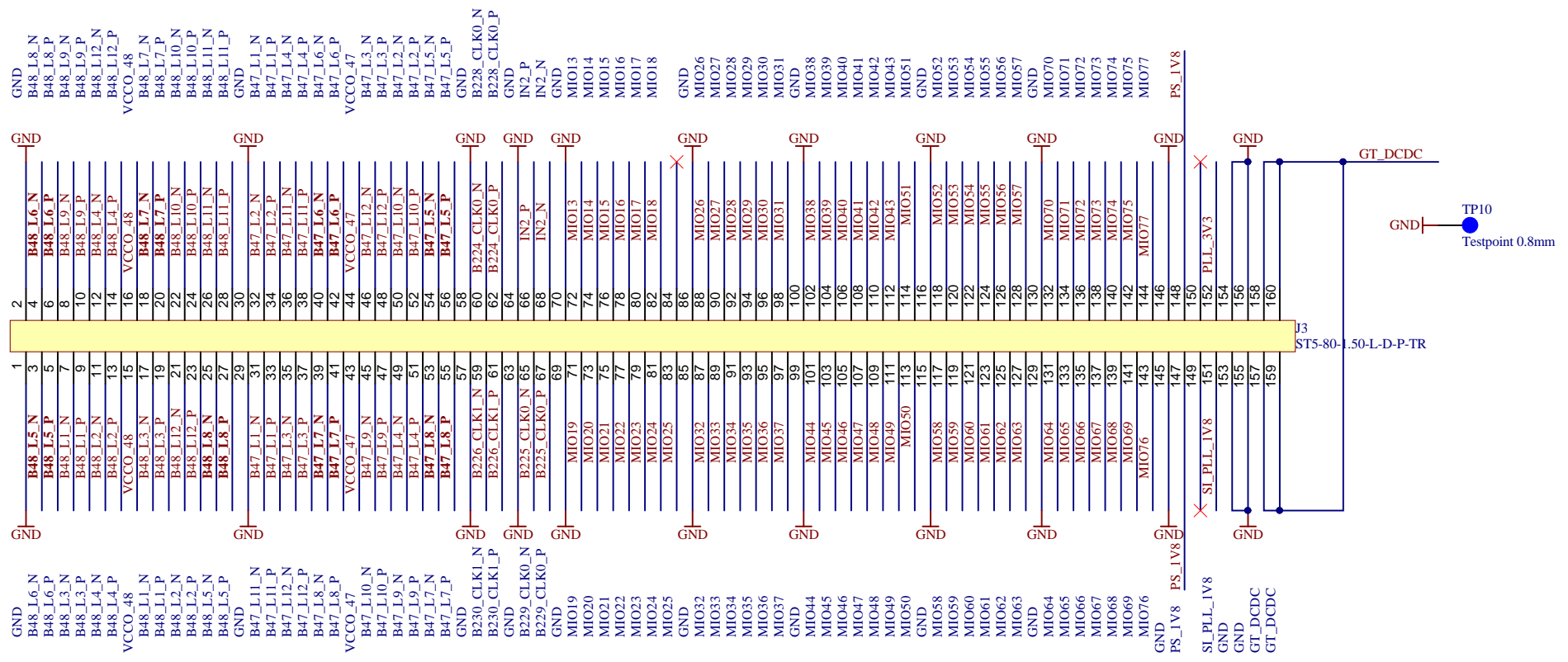
D

1

2

3

4



Title: TE0807 - Connector J3		
A4	Number: TE0807 4AI21-X	Rev. 03
Date: 2020-05-08	Copyright: Trenz Electronic GmbH / TT	Page 5 of 29
Filename: J3.SchDoc		

1

2

3

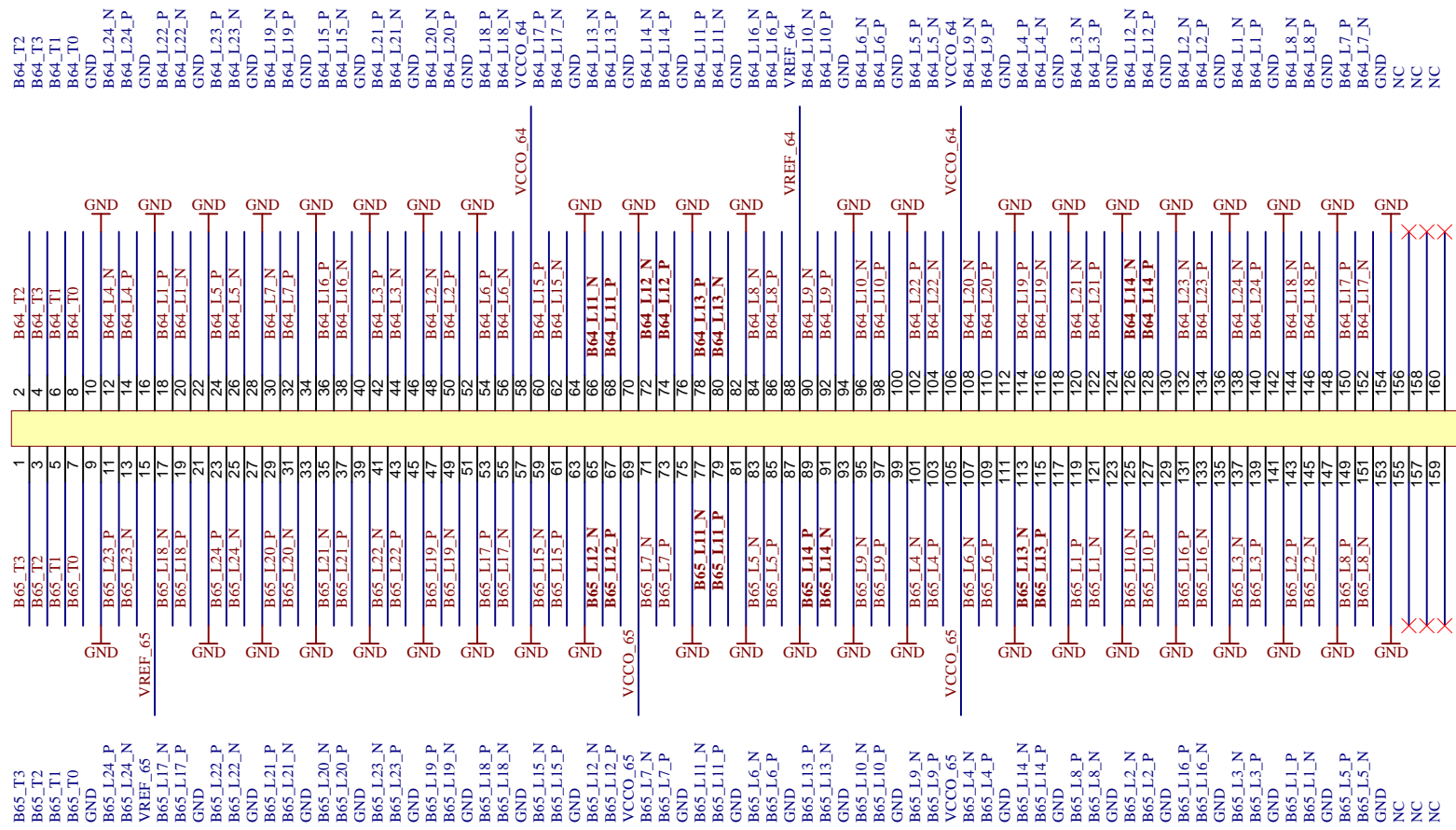
4

A

B

C

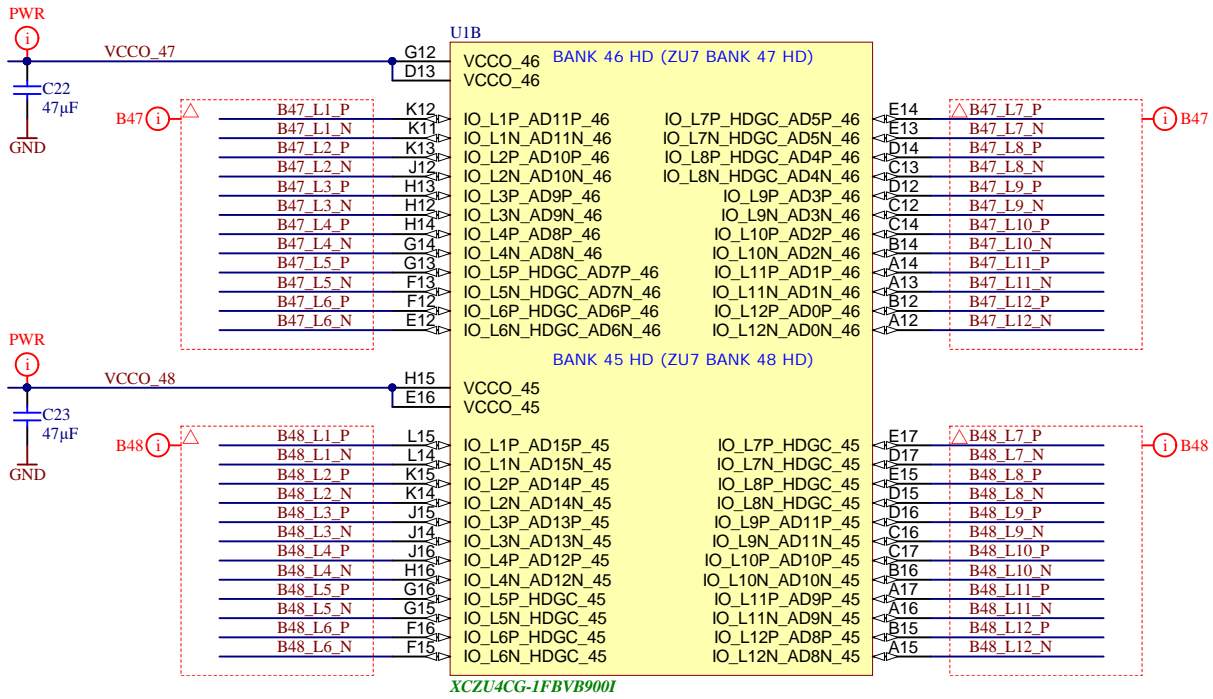
D



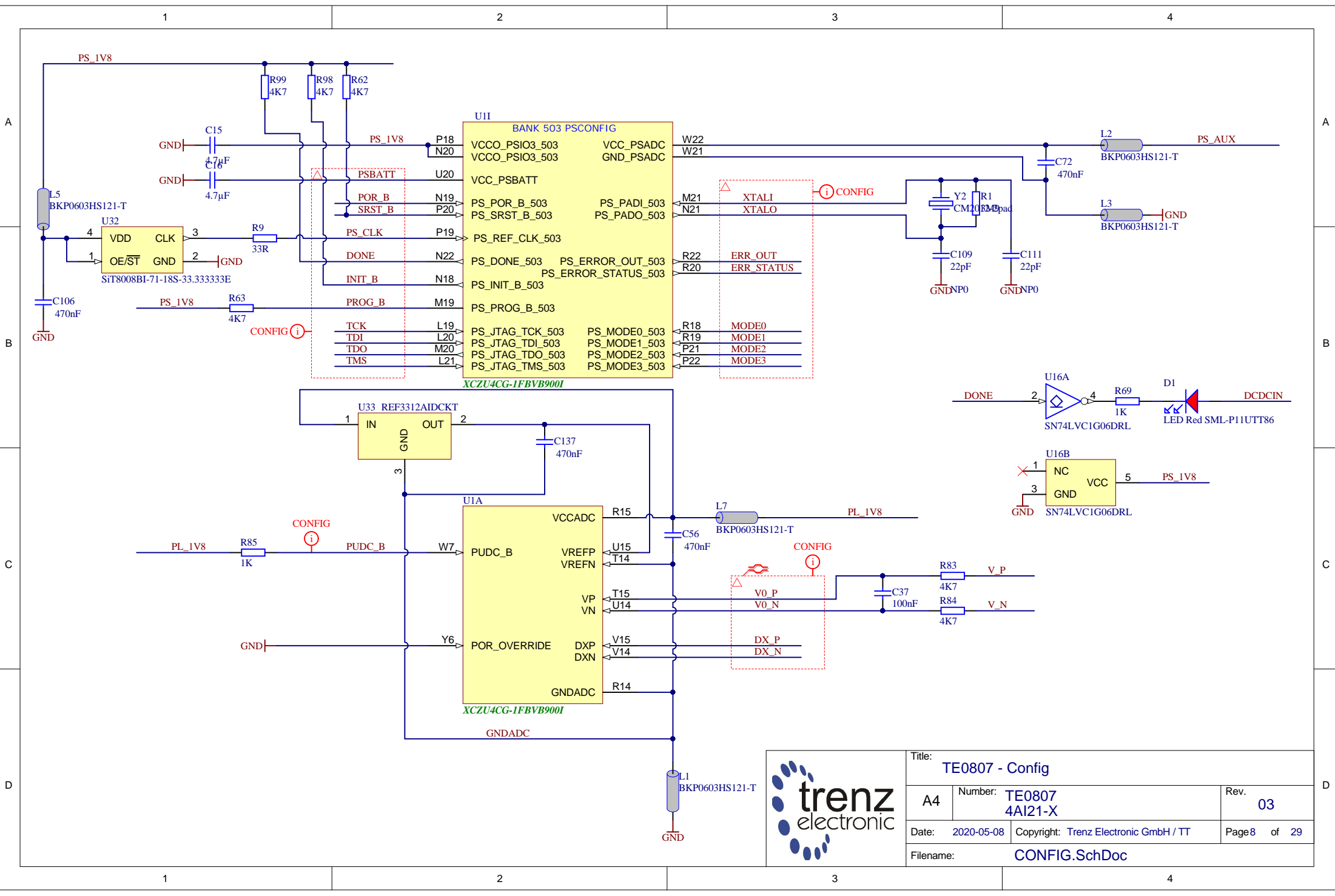
J4  
ST5-80-1.50-L-D-P-TR



Title: TE0807 - Connector J4		
A4	Number: TE0807 4AI21-X	Rev. 03
Date: 2020-05-08	Copyright: Trenz Electronic GmbH / TT	Page 6 of 29
Filename: J4.SchDoc		



Title: TE0807 - B47HD and B48HD		
A4	Number: TE0807 4AI21-X	Rev. 03
Date: 2020-05-08	Copyright: Trenz Electronic GmbH / TT	Page 7 of 29
Filename: B_HD.SchDoc		



Title: TE0807 - Config		
A4	Number: TE0807 4AI21-X	Rev. 03
Date: 2020-05-08	Copyright: Trenz Electronic GmbH / TT	Page 8 of 29
Filename: CONFIG.SchDoc		



1

2

3

4

A

A

B

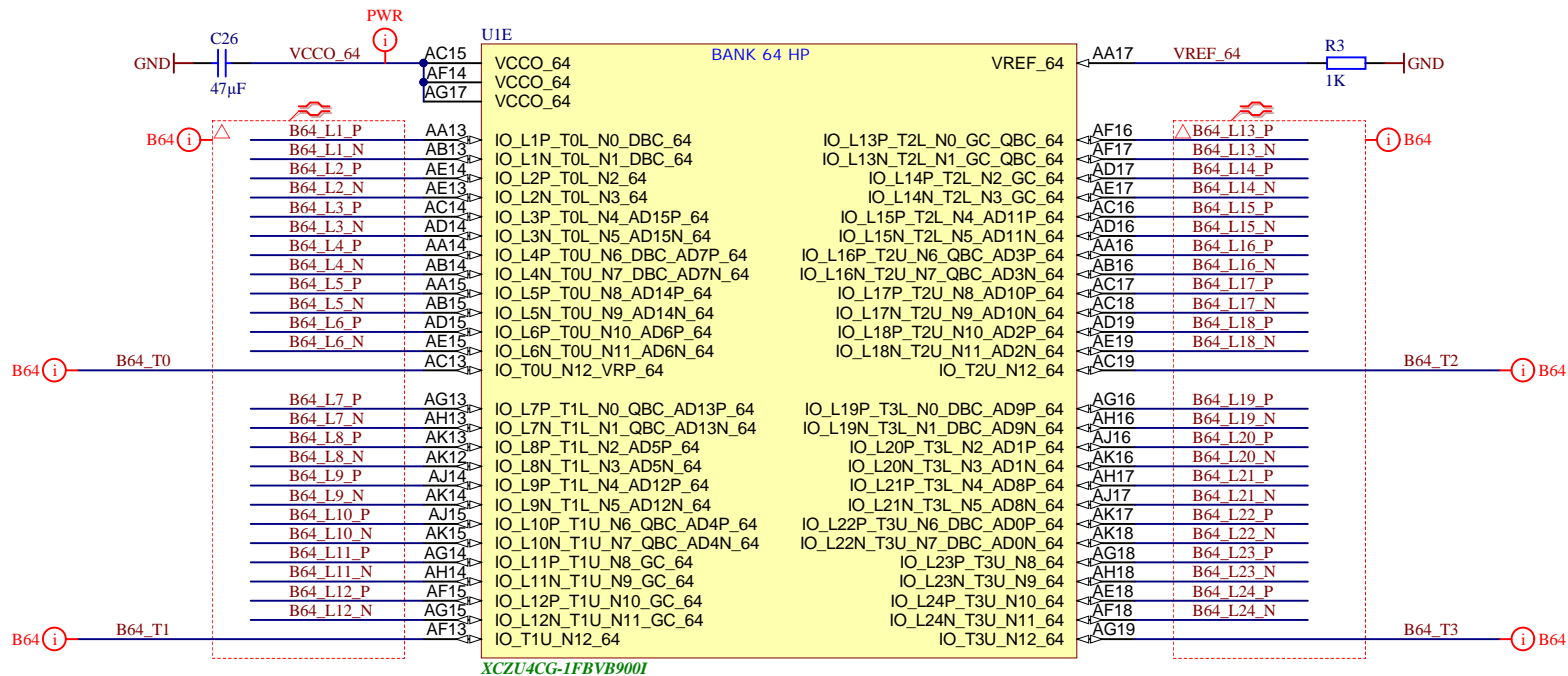
B

C

C

D

D



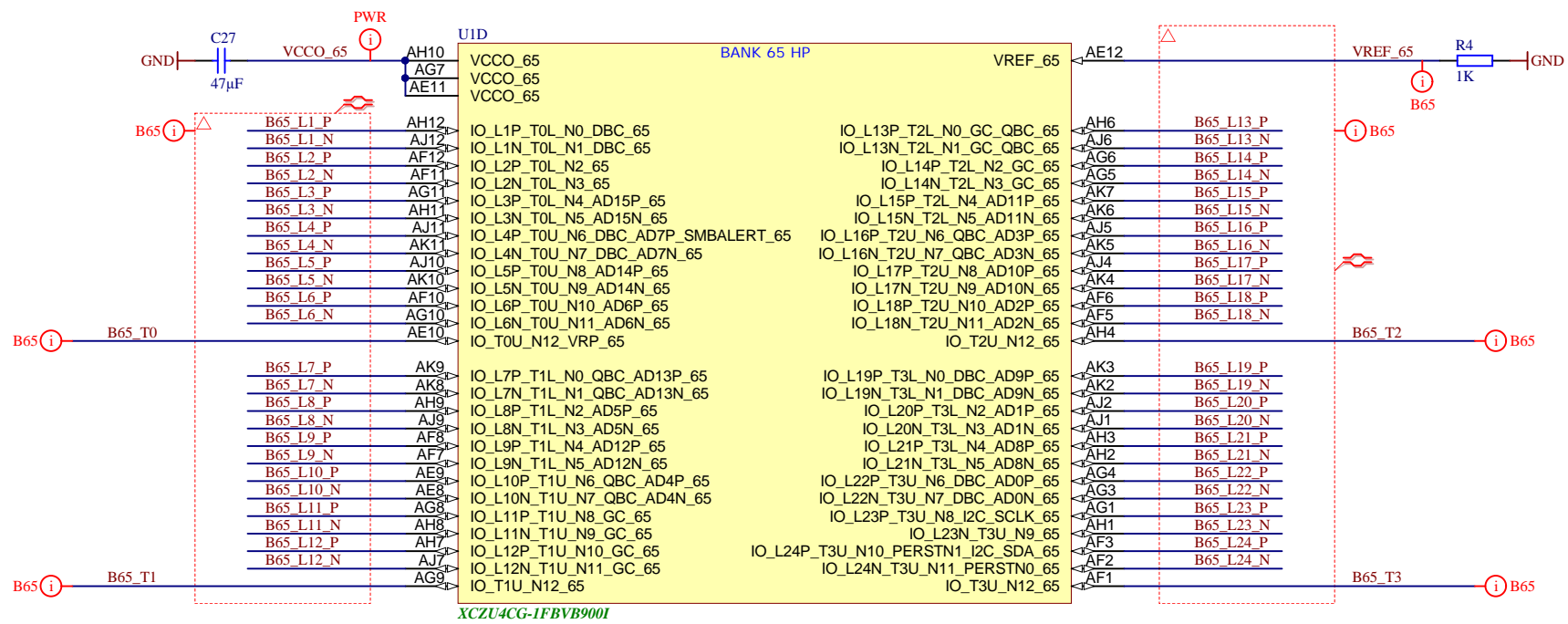
	Title: <b>TE0807 - B64</b>		
	A4	Number: <b>TE0807 4AI21-X</b>	Rev. <b>03</b>
	Date: <b>2020-05-08</b>	Copyright: <b>Trenz Electronic GmbH / TT</b>	Page <b>9</b> of <b>29</b>
	Filename: <b>B64.SchDoc</b>		

1

2

3

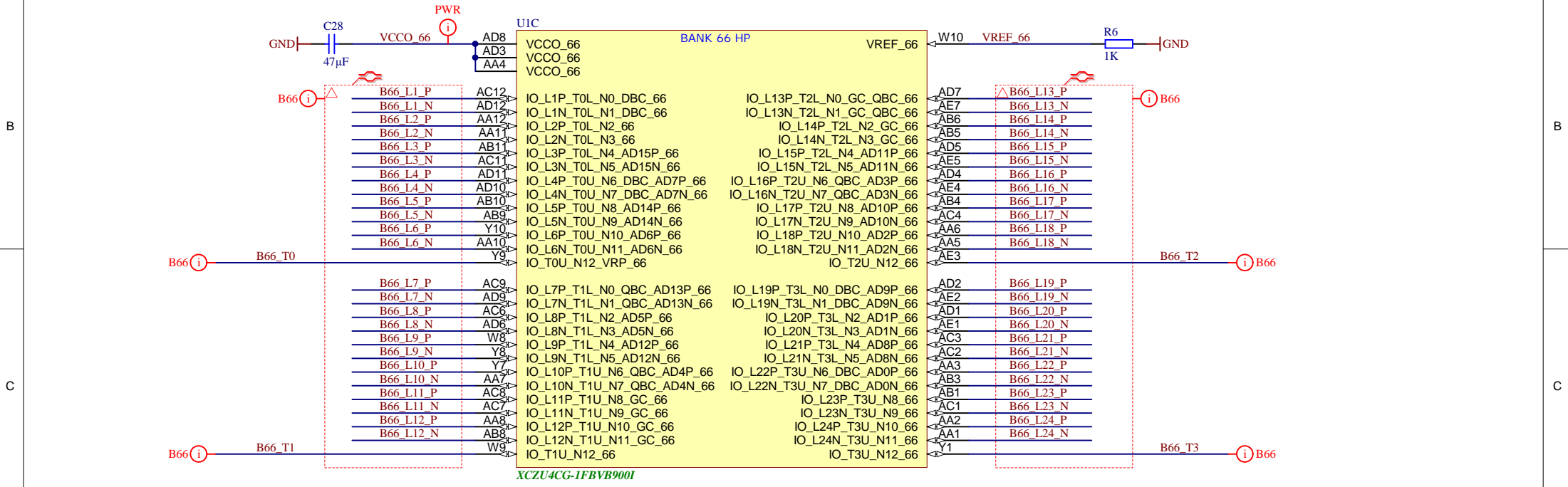
4



XZU4CG-1FBV9001



Title: TE0807 - B65		
A4	Number: TE0807 4AI21-X	Rev. 03
Date: 2020-05-08	Copyright: Trenz Electronic GmbH / TT	Page 10 of 29
Filename: B65.SchDoc		



Title: TE0807 - B66		
A4	Number: TE0807 4AI21-X	Rev. 03
Date: 2020-05-08	Copyright: Trenz Electronic GmbH / TT	Page 11 of 29
Filename: B66.SchDoc		

A

B

C

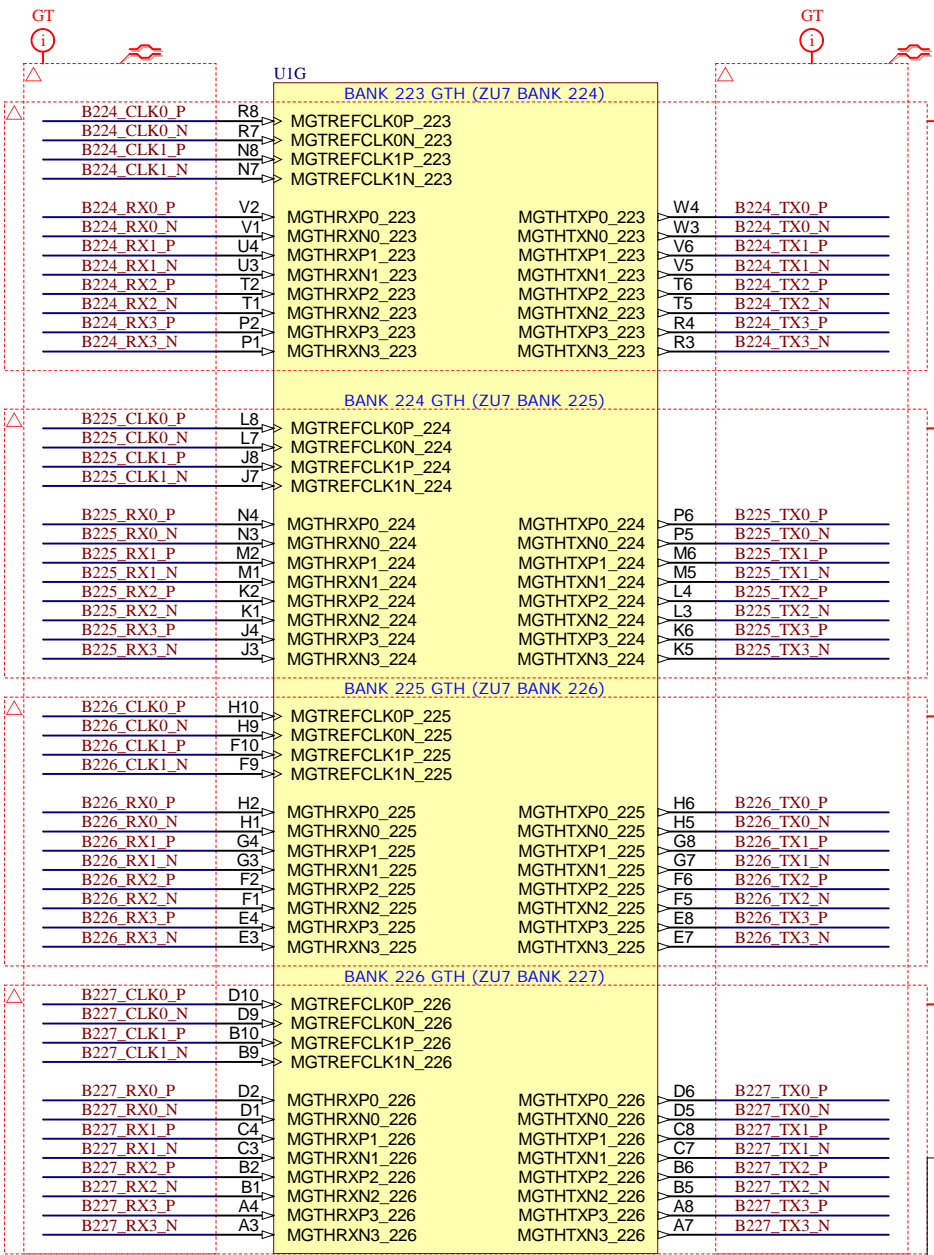
D

A

B

C

D



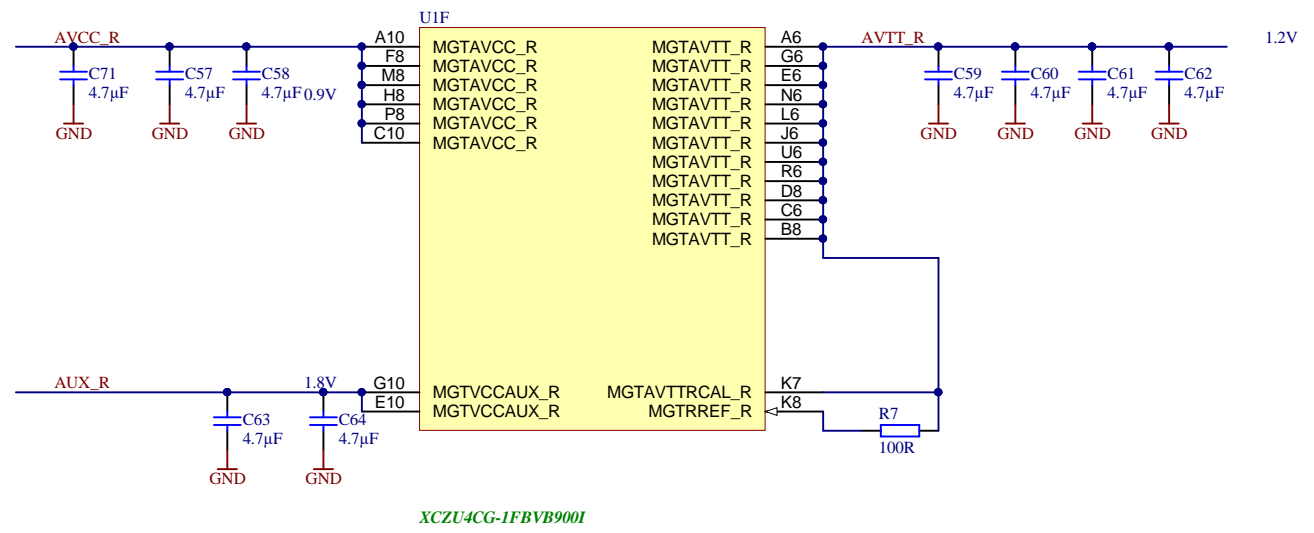
228


229

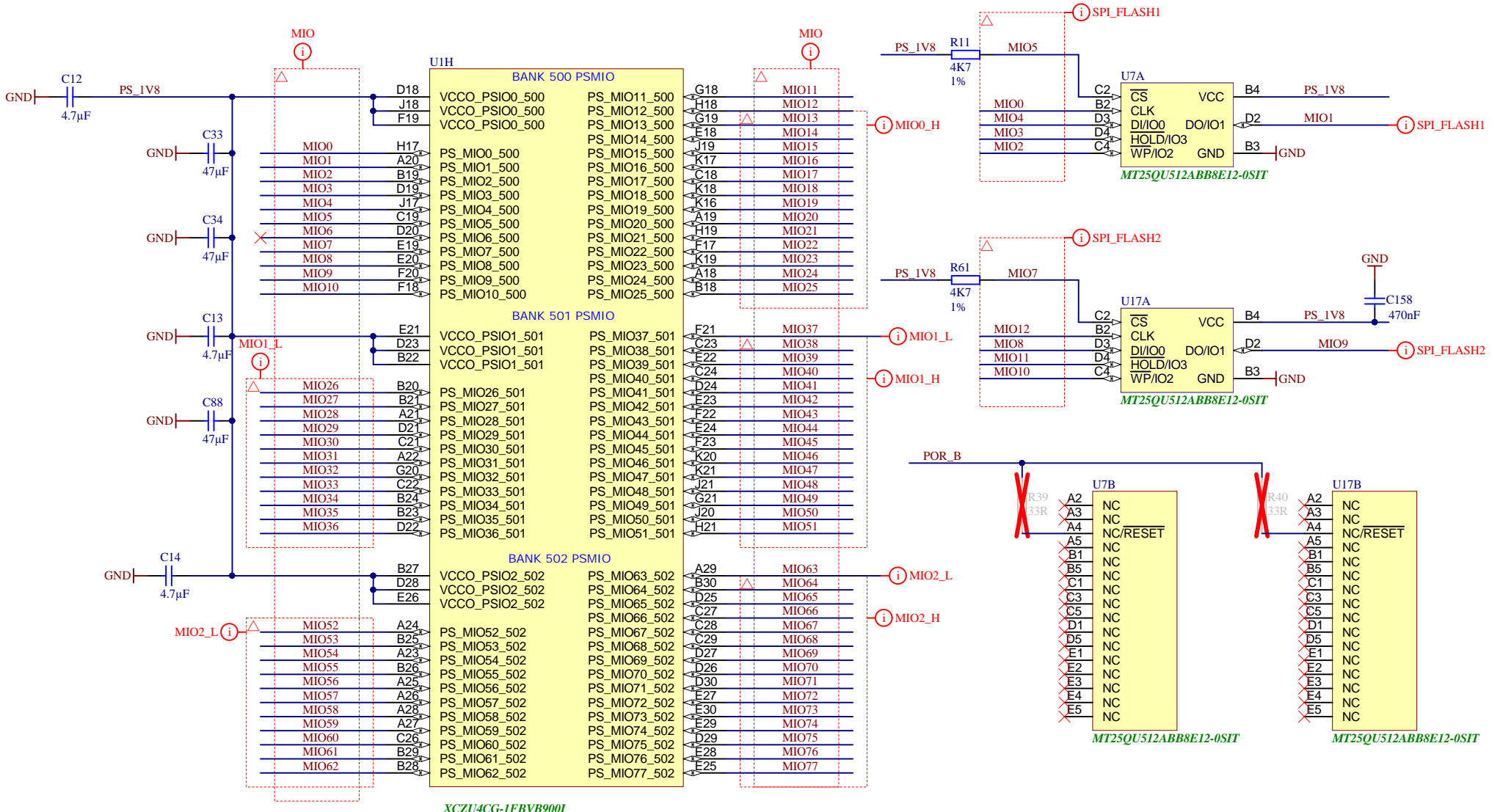
230




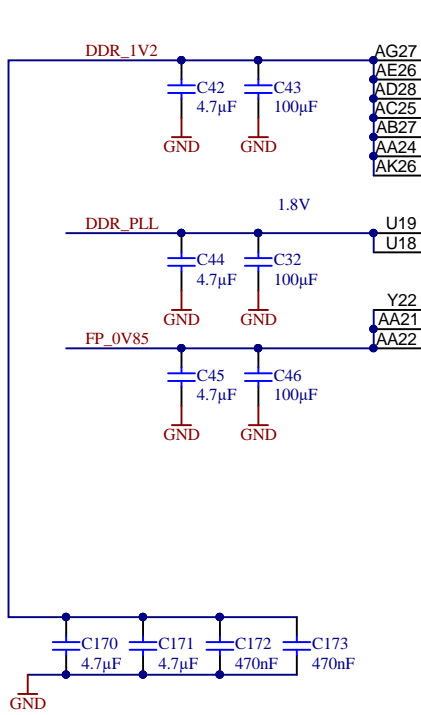
Title: TE0807 - GTH_Banks		
A4	Number: TE0807 4A121-X	Rev. 03
Date: 2020-05-08	Copyright: Trenz Electronic GmbH / TT	Page 12 of 29
Filename: B_GT.SchDoc		



		Title: TE0807 - GTH_PWR	
		A4	Number: TE0807 4AI21-X
Date: 2020-05-08		Copyright: Trenz Electronic GmbH / TT	
Filename: B_GT_2.SchDoc		Page 13 of 29	



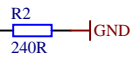
			Title: TE0807 - MIO Banks	
			A4	Number: TE0807 4AI21-X
Date: 2020-05-08		Copyright: Trenz Electronic GmbH / TT		Page 14 of 29
Filename: B_MIO.SchDoc				



**UIJ BANK 504 PSDDR**

VCCO_PSDDR_504	PS_DDR_CK0_504	AE30	DDR4-CLK0_P
VCCO_PSDDR_504	PS_DDR_CK_N0_504	AF30	DDR4-CLK0_N
VCCO_PSDDR_504	PS_DDR_CKE0_504	AC30	DDR4-CKE0
VCCO_PSDDR_504	PS_DDR_CK1_504	AF28	
VCCO_PSDDR_504	PS_DDR_CK_N1_504	AG28	
VCCO_PSDDR_504	PS_DDR_CKE1_504	AB28	
VCC_PSDDR_PLL	PS_DDR_A0_504	AH30	DDR4-A0
VCC_PSDDR_PLL	PS_DDR_A1_504	AG30	DDR4-A1
VCC_PSDDR_PLL	PS_DDR_A2_504	AK29	DDR4-A2
VCC_PSDDR_PLL	PS_DDR_A3_504	AJ30	DDR4-A3
VCC_PSDDR_PLL	PS_DDR_A4_504	AK28	DDR4-A4
VCC_PSDDR_PLL	PS_DDR_A5_504	AK27	DDR4-A5
VCC_PSDDR_PLL	PS_DDR_A6_504	AF27	DDR4-A6
VCC_PSDDR_PLL	PS_DDR_A7_504	AE27	DDR4-A7
VCC_PSDDR_PLL	PS_DDR_A8_504	AF26	DDR4-A8
VCC_PSDDR_PLL	PS_DDR_A9_504	AG26	DDR4-A9
VCC_PSDDR_PLL	PS_DDR_A10_504	AE29	DDR4-A10
VCC_PSDDR_PLL	PS_DDR_A11_504	AE28	DDR4-A11
VCC_PSDDR_PLL	PS_DDR_A12_504	AH29	DDR4-A12
VCC_PSDDR_PLL	PS_DDR_A13_504	AG29	DDR4-A13
VCC_PSDDR_PLL	PS_DDR_A14_504	AJ29	DDR4-A14
VCC_PSDDR_PLL	PS_DDR_A15_504	AH27	DDR4-A15
VCC_PSDDR_PLL	PS_DDR_A16_504	AJ27	DDR4-A16
VCC_PSDDR_PLL	PS_DDR_A17_504	AJ27	DDR4-A17
PS_DDR_CS_N0_504		AD30	DDR4-CS
PS_DDR_CS_N1_504		AD29	
PS_DDR_BA0_504		AD27	DDR4-BA0
PS_DDR_BA1_504		AC26	DDR4-BA1
PS_DDR_BG0_504		AC28	DDR4-BG0
PS_DDR_BG1_504		AC27	DDR4-BG1
PS_DDR_PARITY_504		AB26	DDR4-PAR
PS_DDR_RAM_RST_N_504		AB25	DDR4-RESET
PS_DDR_ACT_N_504		AD26	DDR4-ACT
PS_DDR_ALERT_N_504		AB24	DDR4-ALERT
PS_DDR_ZQ_504		AB23	
PS_DDR_ODT0_504		AB30	DDR4-ODT0
PS_DDR_ODT1_504		AC29	

*XCZU4CG-1FBVB900I*



**UIK BANK 504 PSDDR**

DQ0	AH22	PS_DDR_DQ0_504	PS_DDR_DQ32_504	U24	DQ32
DQ1	AH21	PS_DDR_DQ1_504	PS_DDR_DQ33_504	V23	DQ33
DQ2	AJ22	PS_DDR_DQ2_504	PS_DDR_DQ34_504	U25	DQ34
DQ3	AK22	PS_DDR_DQ3_504	PS_DDR_DQ35_504	V24	DQ35
DQ4	AK20	PS_DDR_DQ4_504	PS_DDR_DQ36_504	Y25	DQ36
DQ5	AJ19	PS_DDR_DQ5_504	PS_DDR_DQ37_504	AA23	DQ37
DQ6	AK19	PS_DDR_DQ6_504	PS_DDR_DQ38_504	AA25	DQ38
DQ7	AH19	PS_DDR_DQ7_504	PS_DDR_DQ39_504	Y23	DQ39
DQ8	AH23	PS_DDR_DQ8_504	PS_DDR_DQ40_504	P23	DQ40
DQ9	AK23	PS_DDR_DQ9_504	PS_DDR_DQ41_504	R23	DQ41
DQ10	AG24	PS_DDR_DQ10_504	PS_DDR_DQ42_504	T23	DQ42
DQ11	AK24	PS_DDR_DQ11_504	PS_DDR_DQ43_504	P26	DQ43
DQ12	AJ26	PS_DDR_DQ12_504	PS_DDR_DQ44_504	T25	DQ44
DQ13	AK25	PS_DDR_DQ13_504	PS_DDR_DQ45_504	U23	DQ45
DQ14	AG25	PS_DDR_DQ14_504	PS_DDR_DQ46_504	T26	DQ46
DQ15	AH26	PS_DDR_DQ15_504	PS_DDR_DQ47_504	P24	DQ47
DQ16	AD22	PS_DDR_DQ16_504	PS_DDR_DQ48_504	U26	DQ48
DQ17	AE22	PS_DDR_DQ17_504	PS_DDR_DQ49_504	U26	DQ49
DQ18	AF22	PS_DDR_DQ18_504	PS_DDR_DQ50_504	U28	DQ50
DQ19	AG21	PS_DDR_DQ19_504	PS_DDR_DQ51_504	V27	DQ51
DQ20	AD20	PS_DDR_DQ20_504	PS_DDR_DQ52_504	U30	DQ52
DQ21	AF20	PS_DDR_DQ21_504	PS_DDR_DQ53_504	V30	DQ53
DQ22	AE20	PS_DDR_DQ22_504	PS_DDR_DQ54_504	W30	DQ54
DQ23	AG20	PS_DDR_DQ23_504	PS_DDR_DQ55_504	W29	DQ55
DQ24	AG23	PS_DDR_DQ24_504	PS_DDR_DQ56_504	R30	DQ56
DQ25	AF23	PS_DDR_DQ25_504	PS_DDR_DQ57_504	T30	DQ57
DQ26	AF25	PS_DDR_DQ26_504	PS_DDR_DQ58_504	P30	DQ58
DQ27	AE23	PS_DDR_DQ27_504	PS_DDR_DQ59_504	P29	DQ59
DQ28	AC22	PS_DDR_DQ28_504	PS_DDR_DQ60_504	T28	DQ60
DQ29	AC23	PS_DDR_DQ29_504	PS_DDR_DQ61_504	T27	DQ61
DQ30	AD25	PS_DDR_DQ30_504	PS_DDR_DQ62_504	P27	DQ62
DQ31	AC24	PS_DDR_DQ31_504	PS_DDR_DQ63_504	R27	DQ63
DDR4-DQS0_P	AJ21	PS_DDR_DQS_P0_504	PS_DDR_DQ64_504	AB29	
DDR4-DQS0_N	AK21	PS_DDR_DQS_N0_504	PS_DDR_DQ65_504	AA30	
DDR4-DQS1_P	AH24	PS_DDR_DQS_P1_504	PS_DDR_DQ66_504	Y30	
DDR4-DQS1_N	AJ24	PS_DDR_DQS_N1_504	PS_DDR_DQ67_504	Y29	
DDR4-DQS2_P	AC21	PS_DDR_DQS_P2_504	PS_DDR_DQ68_504	AA26	
DDR4-DQS2_N	AD21	PS_DDR_DQS_N2_504	PS_DDR_DQ69_504	W27	
DDR4-DQS3_P	AD24	PS_DDR_DQS_P3_504	PS_DDR_DQ70_504	Y27	
DDR4-DQS3_N	AE24	PS_DDR_DQS_N3_504	PS_DDR_DQ71_504	W26	
DDR4-DQS4_P	W24	PS_DDR_DQS_P4_504			
DDR4-DQS4_N	W25	PS_DDR_DQS_N4_504	PS_DDR_DM0_504	AJ20	DDR4-DM0
DDR4-DQS5_P	P25	PS_DDR_DQS_P5_504	PS_DDR_DM1_504	AJ25	DDR4-DM1
DDR4-DQS5_N	R25	PS_DDR_DQS_N5_504	PS_DDR_DM2_504	AF21	DDR4-DM2
DDR4-DQS6_P	U29	PS_DDR_DQS_P6_504	PS_DDR_DM3_504	AE25	DDR4-DM3
DDR4-DQS6_N	V29	PS_DDR_DQS_N6_504	PS_DDR_DM4_504	Y24	DDR4-DM4
DDR4-DQS7_P	R28	PS_DDR_DQS_P7_504	PS_DDR_DM5_504	R24	DDR4-DM5
DDR4-DQS7_N	R29	PS_DDR_DQS_N7_504	PS_DDR_DM6_504	V28	DDR4-DM6
	R29	PS_DDR_DQS_P8_504	PS_DDR_DM7_504	P28	DDR4-DM7
	Y28	PS_DDR_DQS_N8_504	PS_DDR_DM8_504	AA27	
	AA28				

*XCZU4CG-1FBVB900I*



Title: TE0807 - PS_DDR		
A4	Number: TE0807 4AI21-X	Rev. 03
Date: 2020-05-08	Copyright: Trenz Electronic GmbH / TT	Page 15 of 29
Filename: PS_DDR.SchDoc		

1

2

3

4

A

A

B

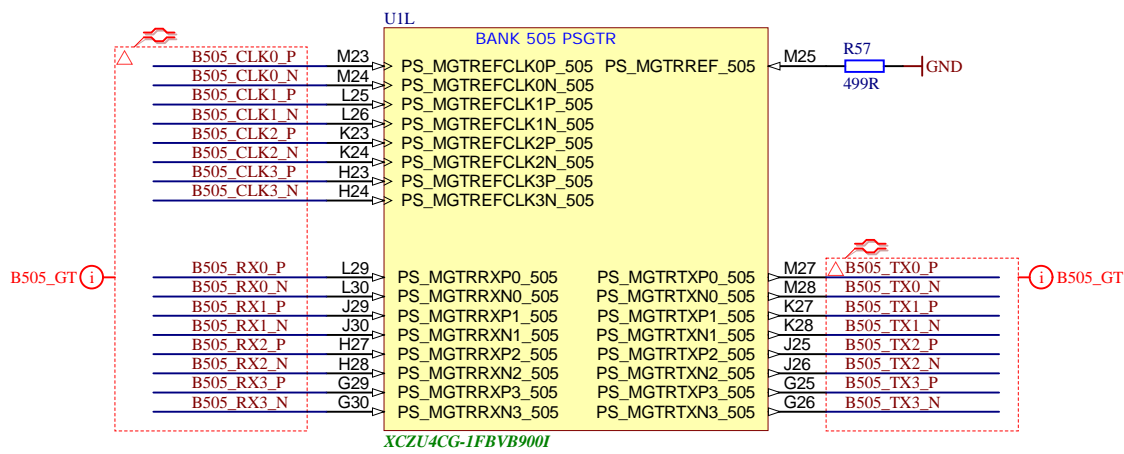
B

C

C

D

D



Title: TE0807 - PS_GT		
A4	Number: TE0807 4AI21-X	Rev. 03
Date: 2020-05-08	Copyright: Trenz Electronic GmbH / TT	Page 16 of 29
Filename: B_PS_GT.SchDoc		

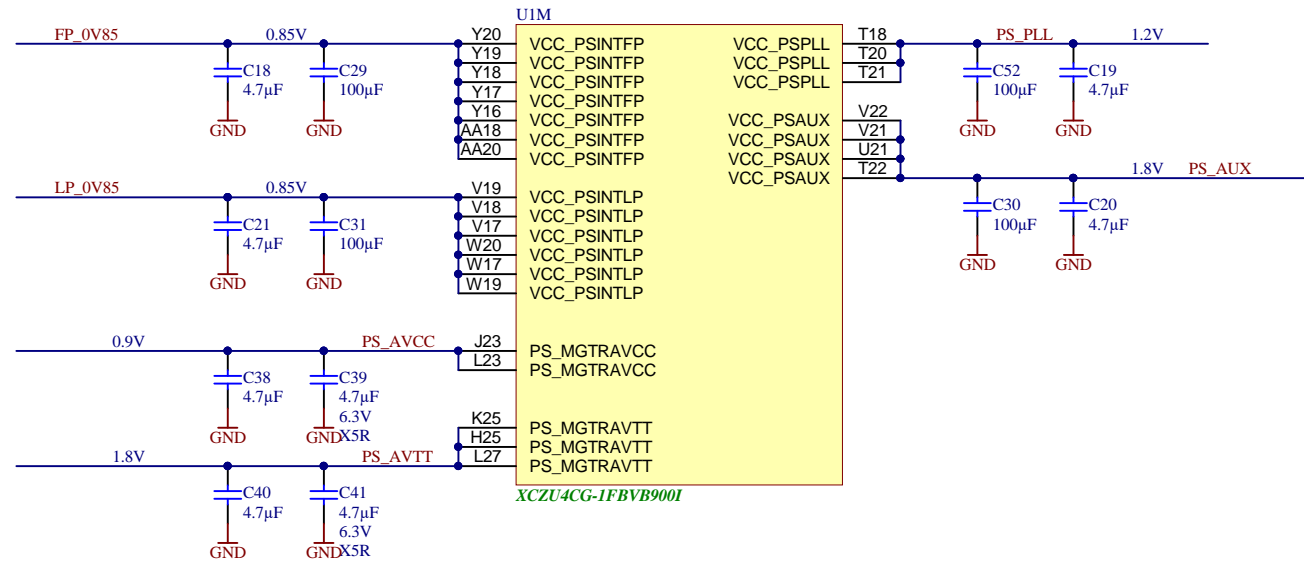
1

2

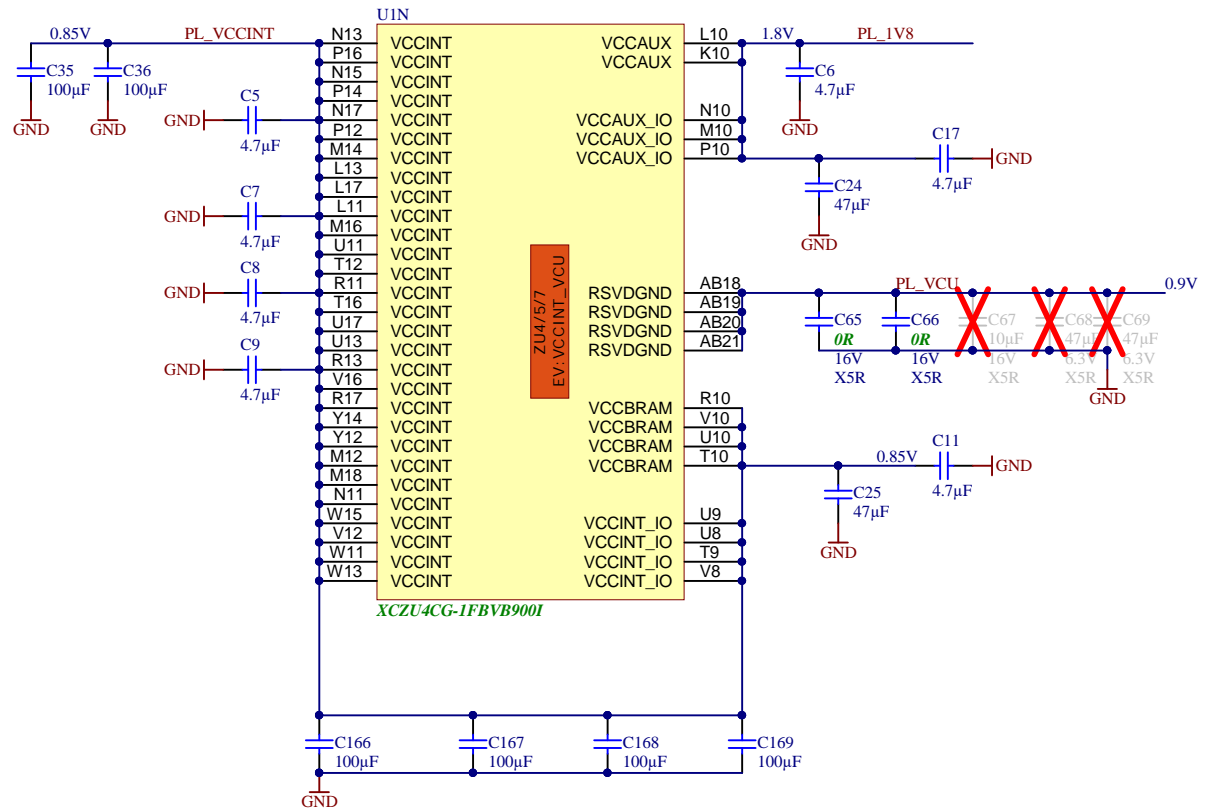
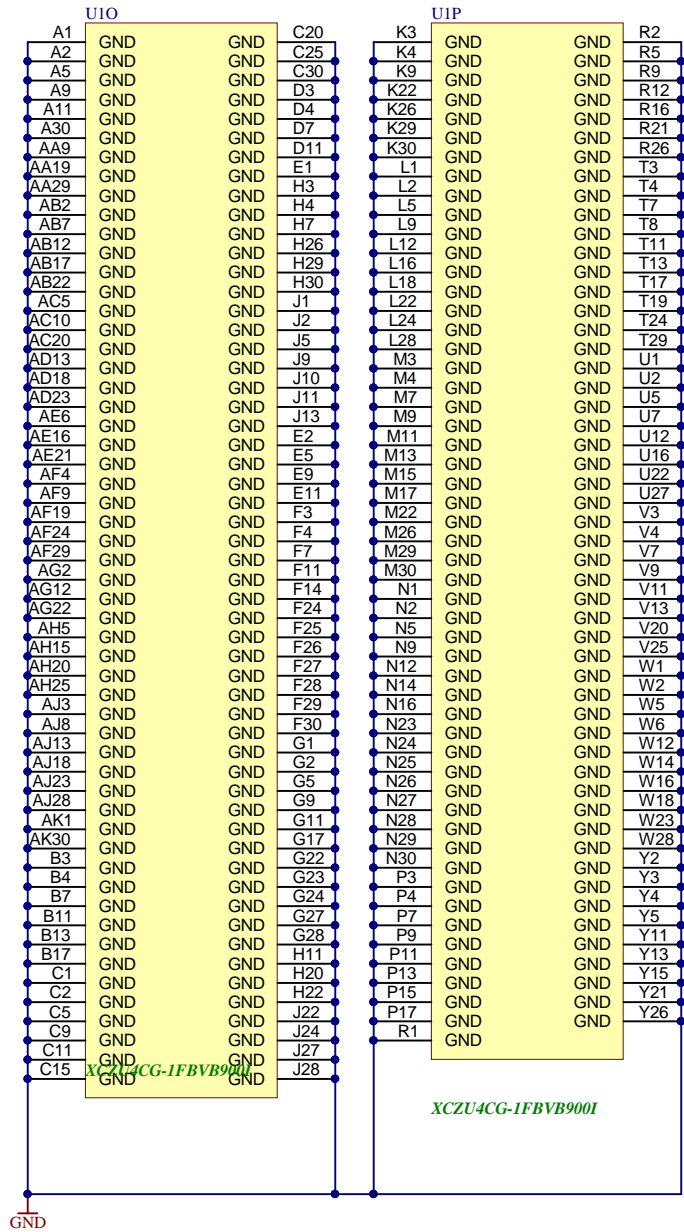

3

4

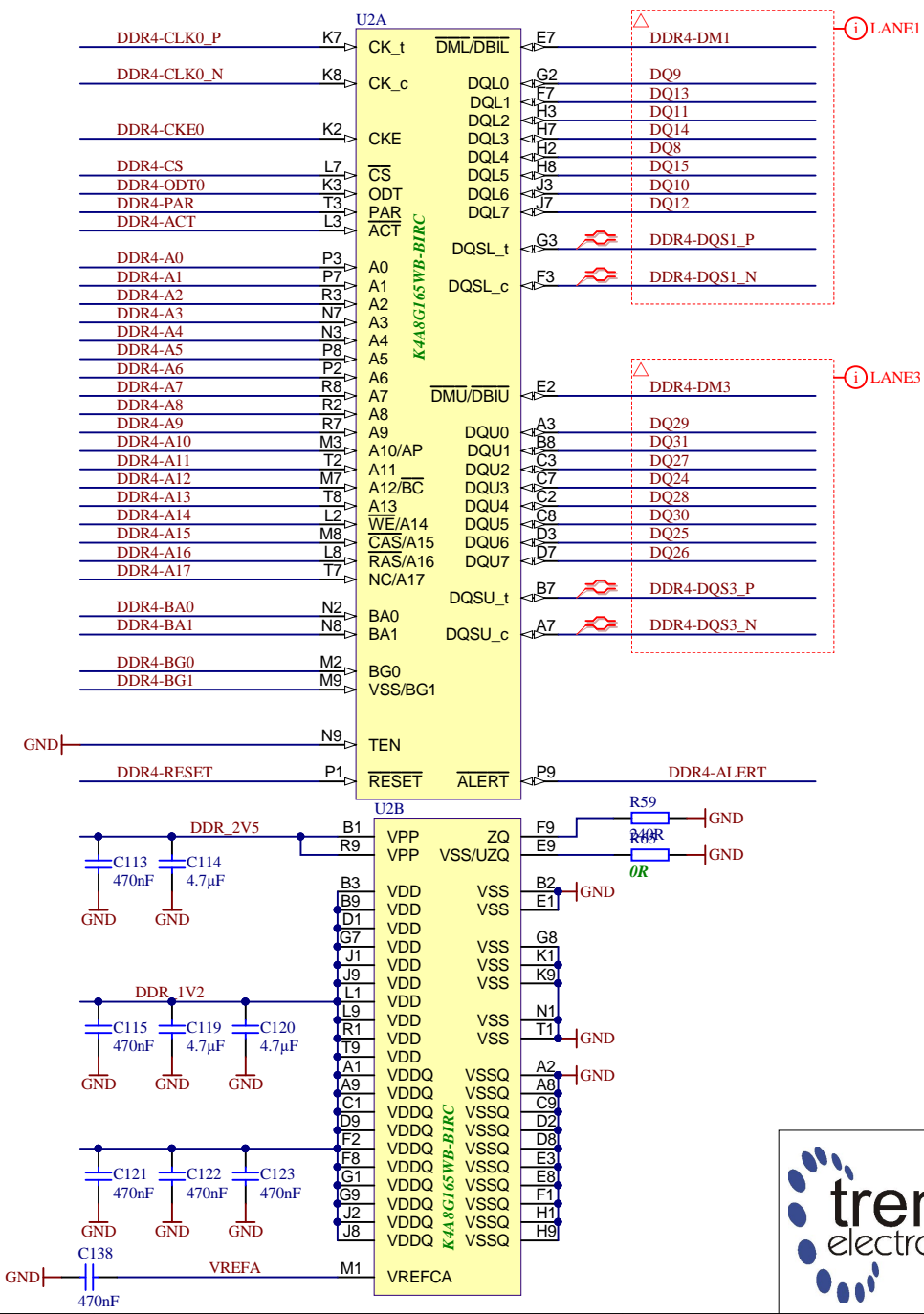




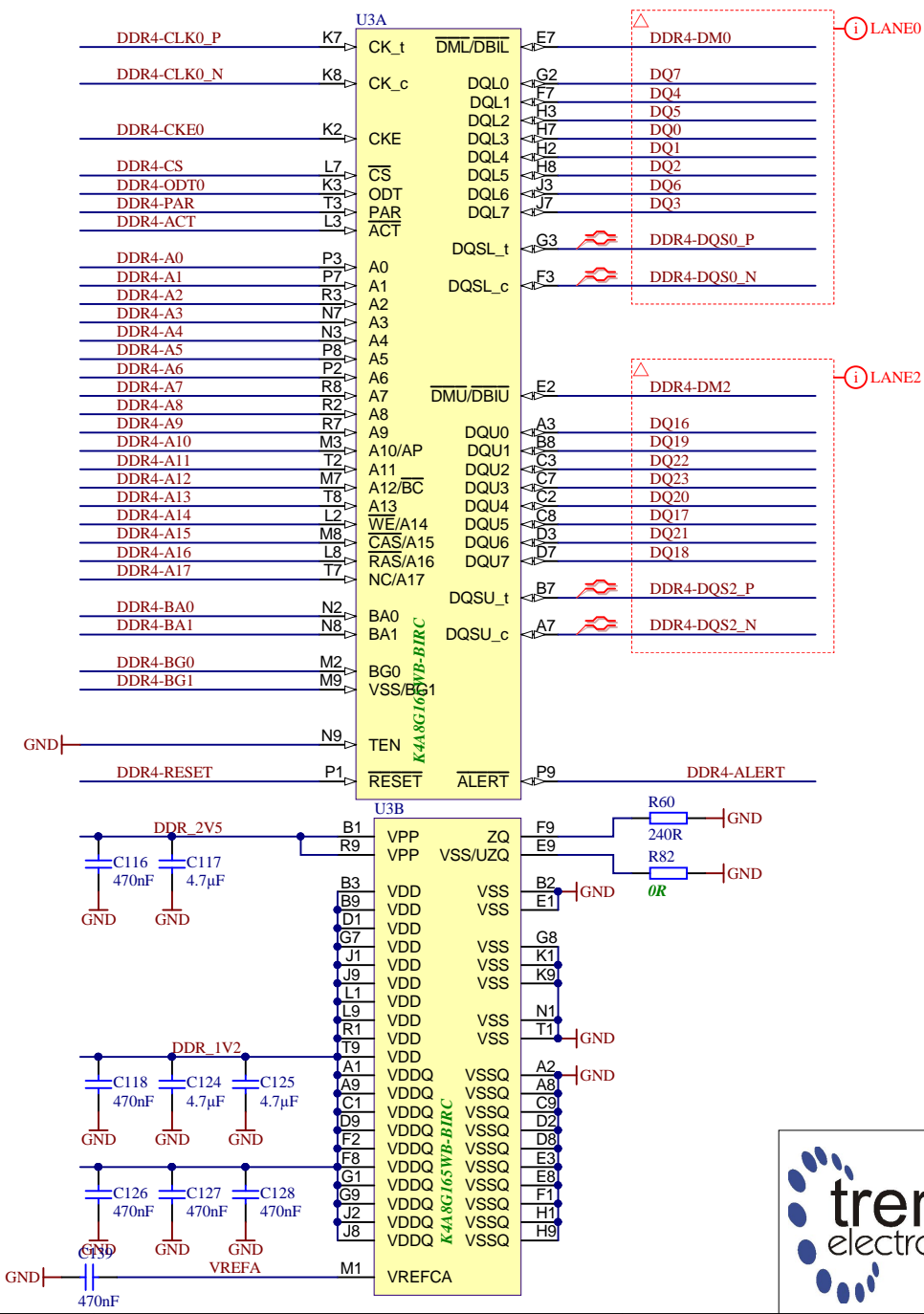

Title: TE0807 - ZU_PS_POWER		
A4	Number: TE0807 4AI21-X	Rev. 03
Date: 2020-05-08	Copyright: Trenz Electronic GmbH / TT	Page 17 of 29
Filename: ZU_PS_POWER.SchDoc		

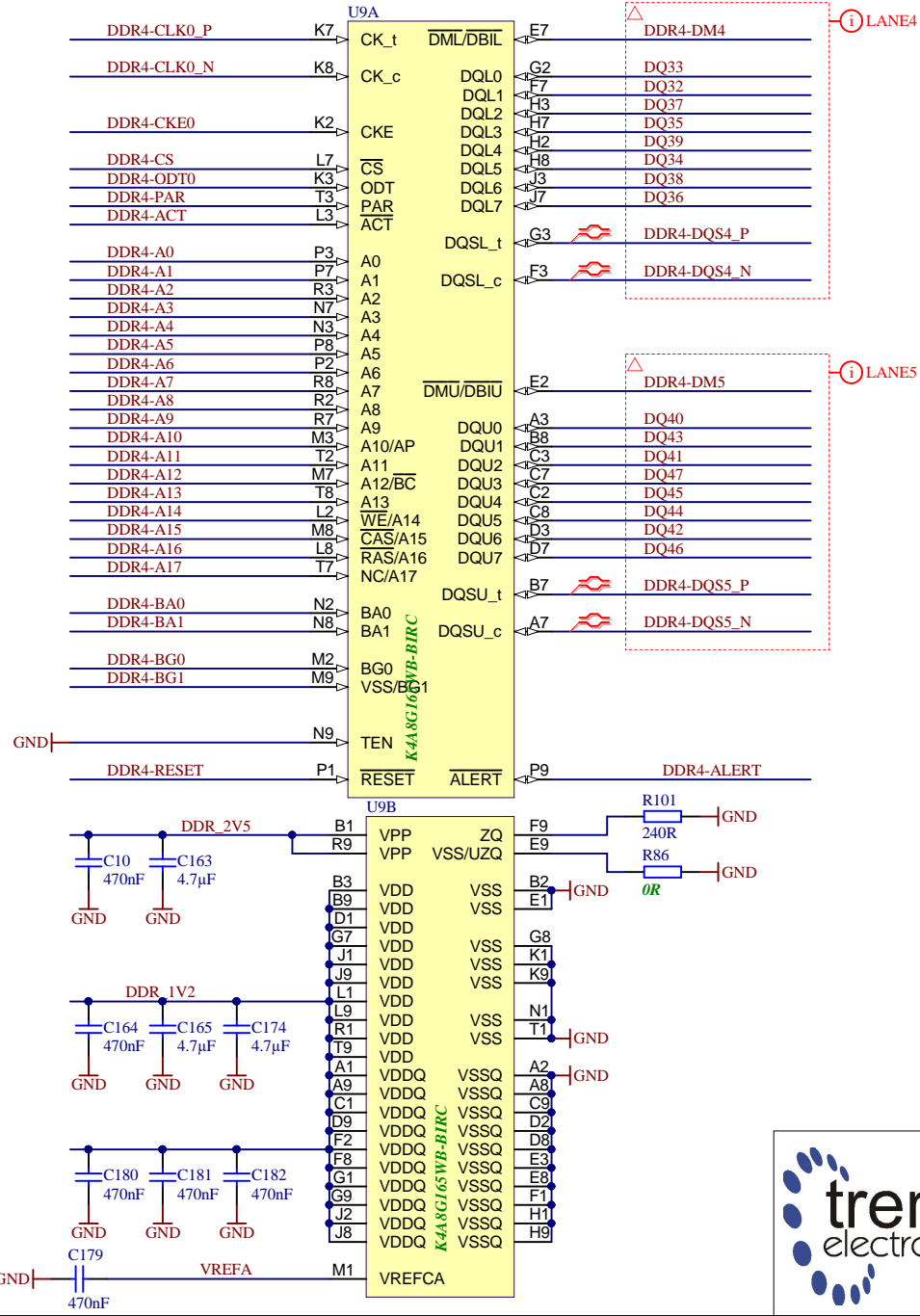
Title: TE0807 - ZU_POWER		
A4	Number: TE0807 4AI21-X	Rev. 03
Date: 2020-05-08	Copyright: Trenz Electronic GmbH / TT	Page 18 of 29
Filename: ZU_POWER.SchDoc		




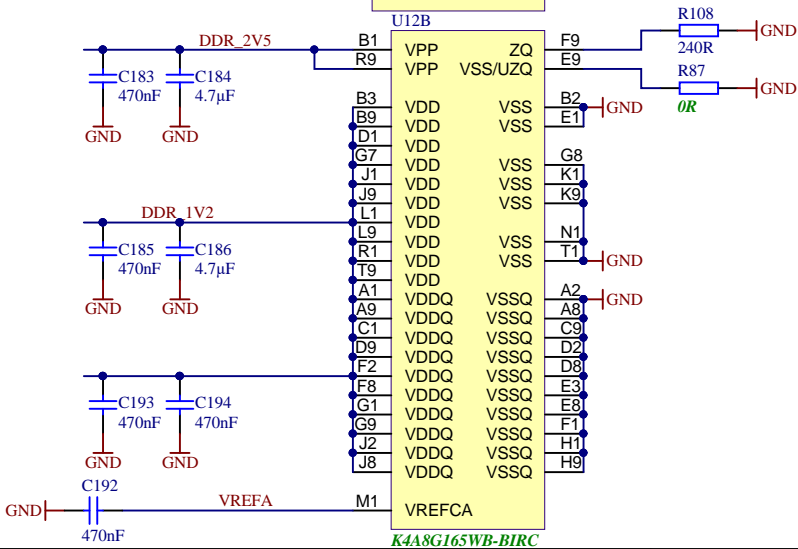
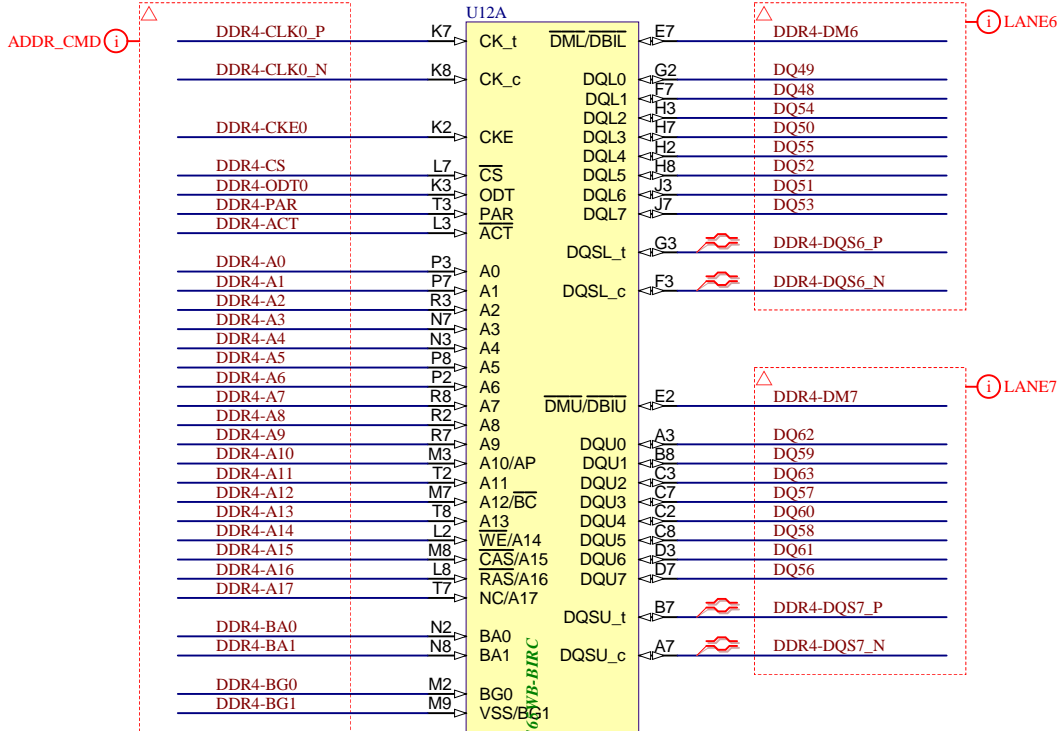

Title: TE0807 - DDR4_1_RAM		
A4	Number: TE0807 4A121-X	Rev. 03
Date: 2020-05-08	Copyright: Trenz Electronic GmbH / TT	Page 19 of 29
Filename: DDR4-RAM.SchDoc		

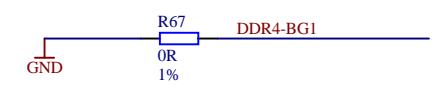
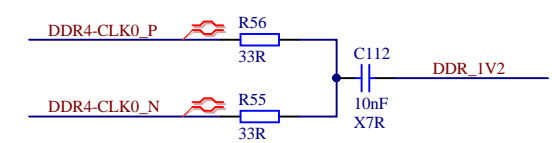
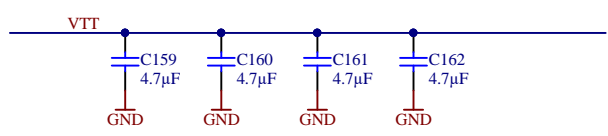
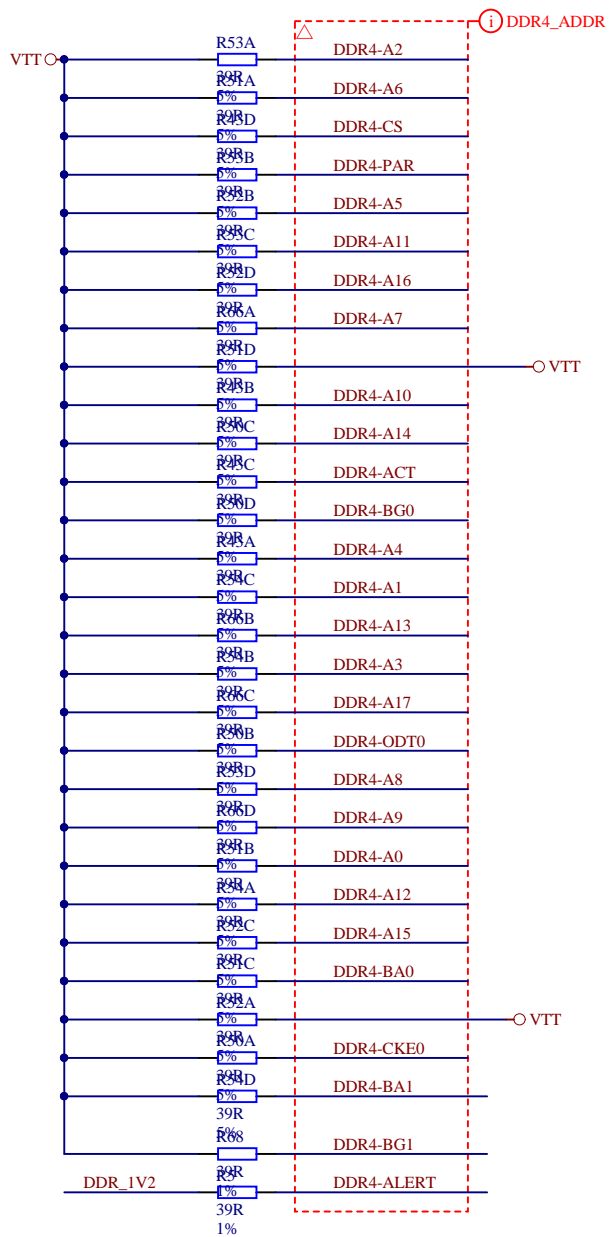
Title: TE0807 - DDR4_2_RAM		
A4	Number: TE0807 4A121-X	Rev. 03
Date: 2020-05-08	Copyright: Trenz Electronic GmbH / TT	Page 20 of 29
Filename: DDR4-RAM_2.SchDoc		



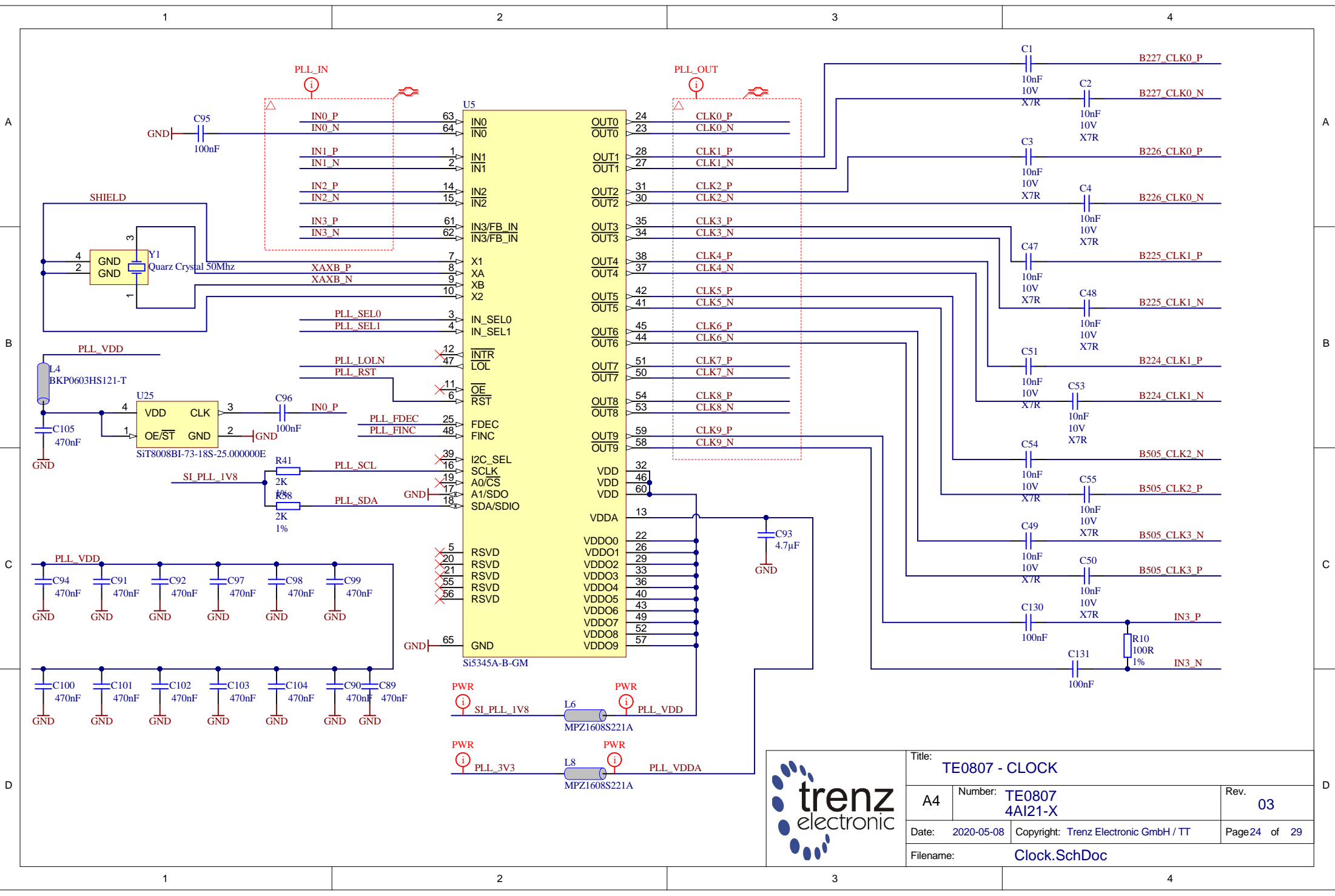
			Title: TE0807 - DDR4_3_RAM	
			A4	Number: TE0807 4A121-X
Date: 2020-05-08		Copyright: Trenz Electronic GmbH / TT		Page 21 of 29
Filename: DDR4-RAM_3.SchDoc				

Title: <b>TE0807 - DDR4_4_RAM</b>		
A4	Number: <b>TE0807 4AI21-X</b>	Rev. <b>03</b>
Date: <b>2020-05-08</b>	Copyright: <b>Trenz Electronic GmbH / TT</b>	Page <b>22</b> of <b>29</b>
Filename: <b>DDR4-RAM_4.SchDoc</b>		

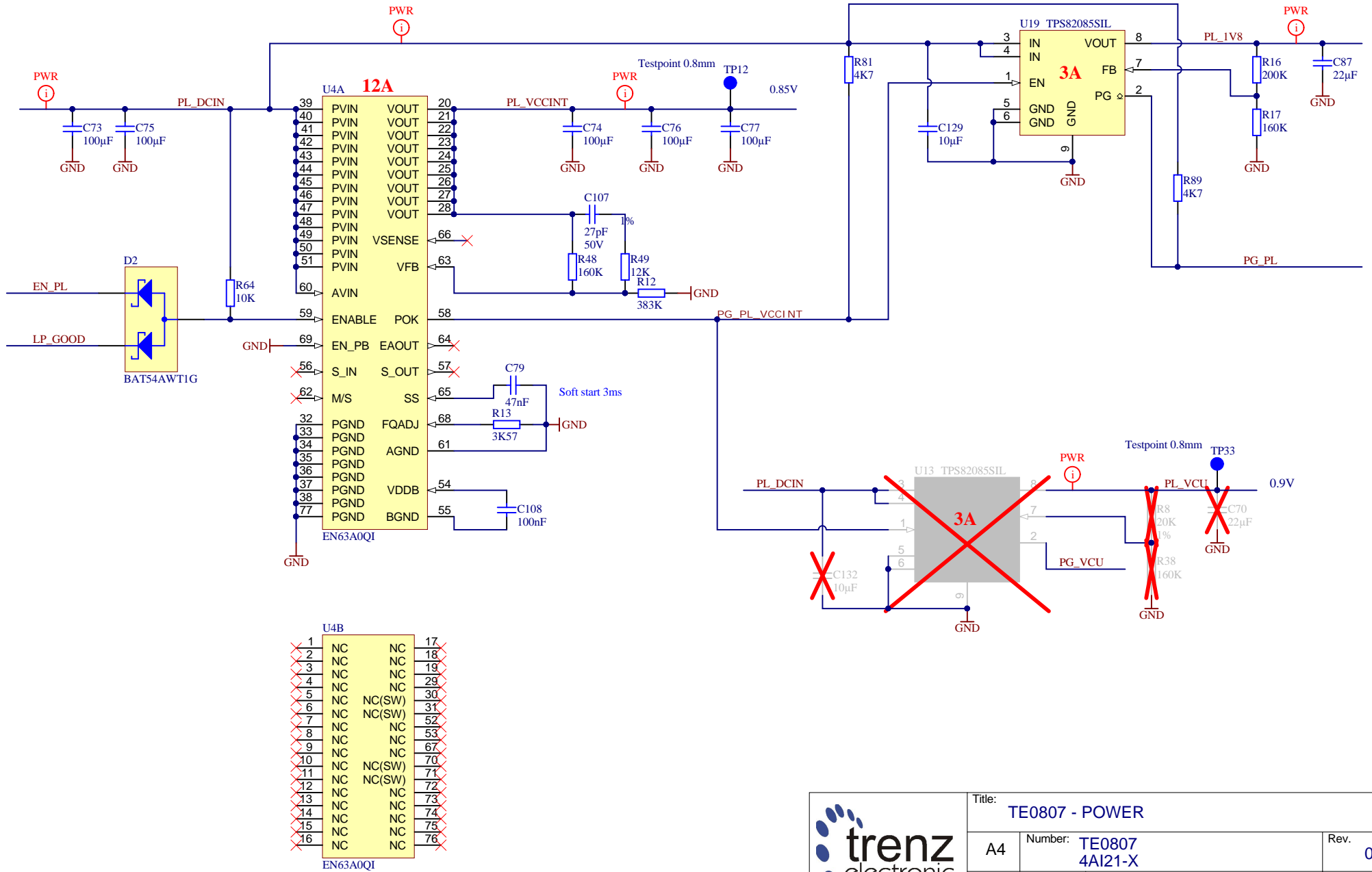



Title: TE0807 - DDR4_TERM		
A4	Number: TE0807 4A121-X	Rev. 03
Date: 2020-05-08	Copyright: Trenz Electronic GmbH / TT	Page 23 of 29
Filename: DDR4-TERM.SchDoc		

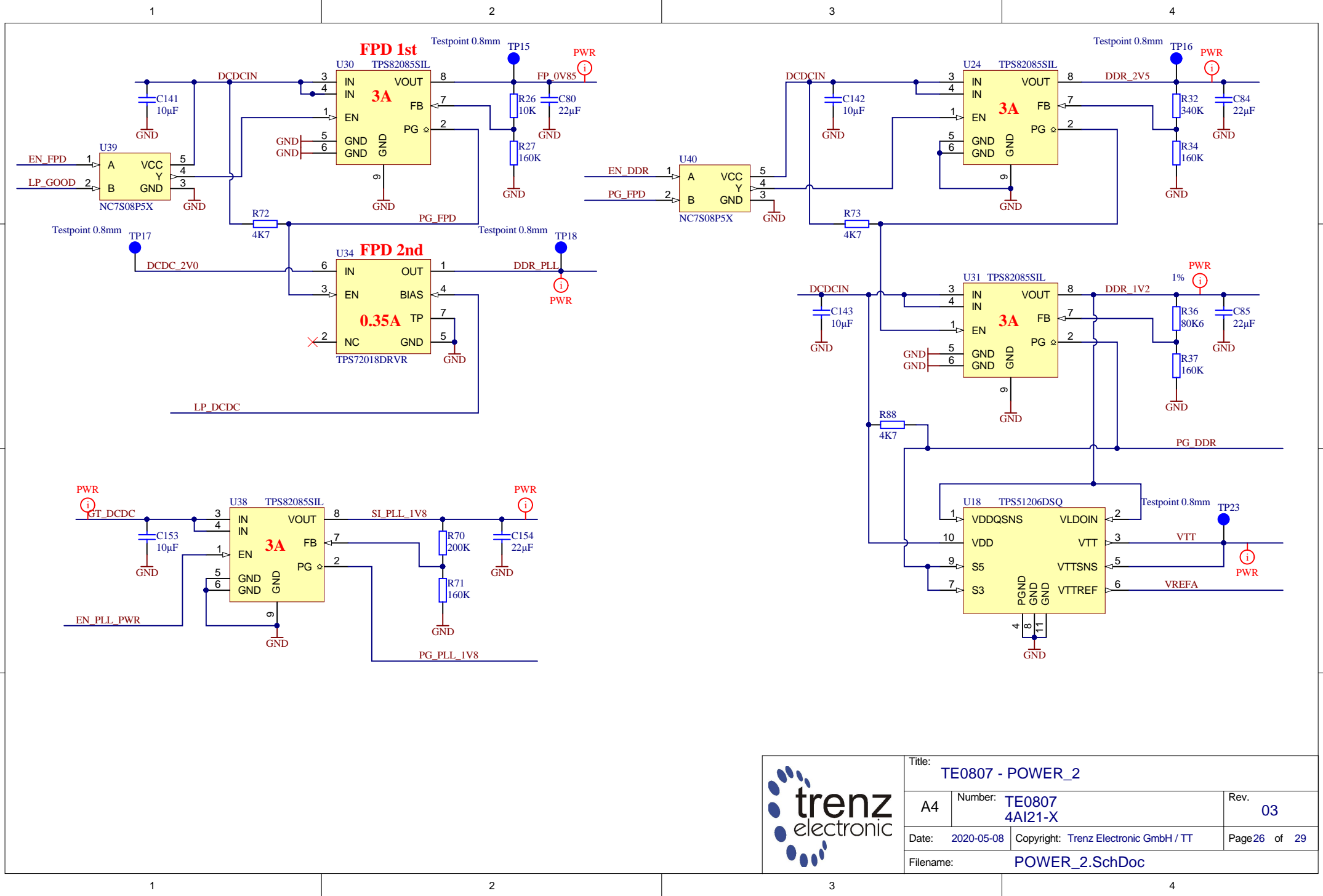



Title: TE0807 - CLOCK		
A4	Number: TE0807 4AI21-X	Rev. 03
Date: 2020-05-08	Copyright: Trenz Electronic GmbH / TT	Page 24 of 29
Filename: Clock.SchDoc		

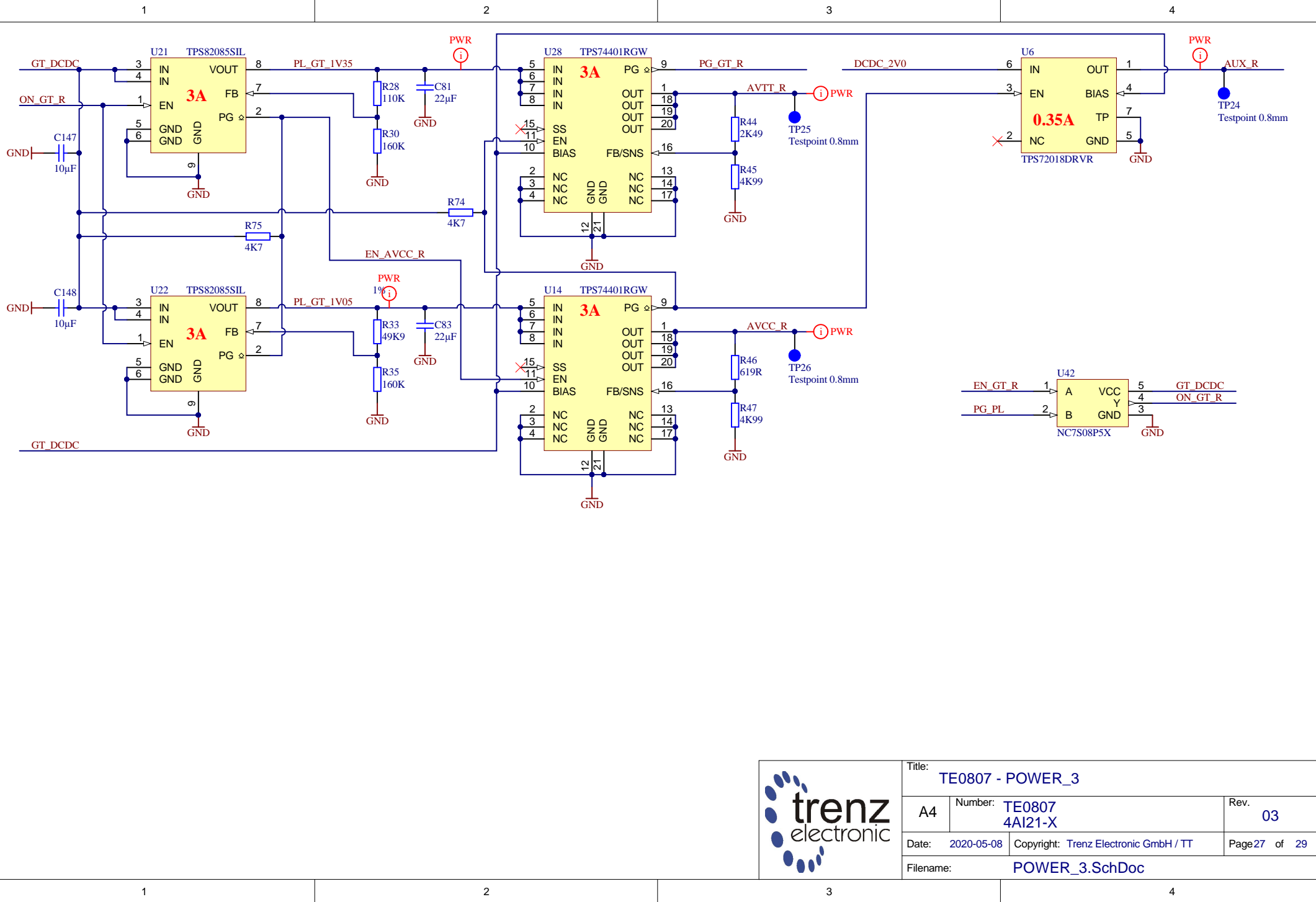






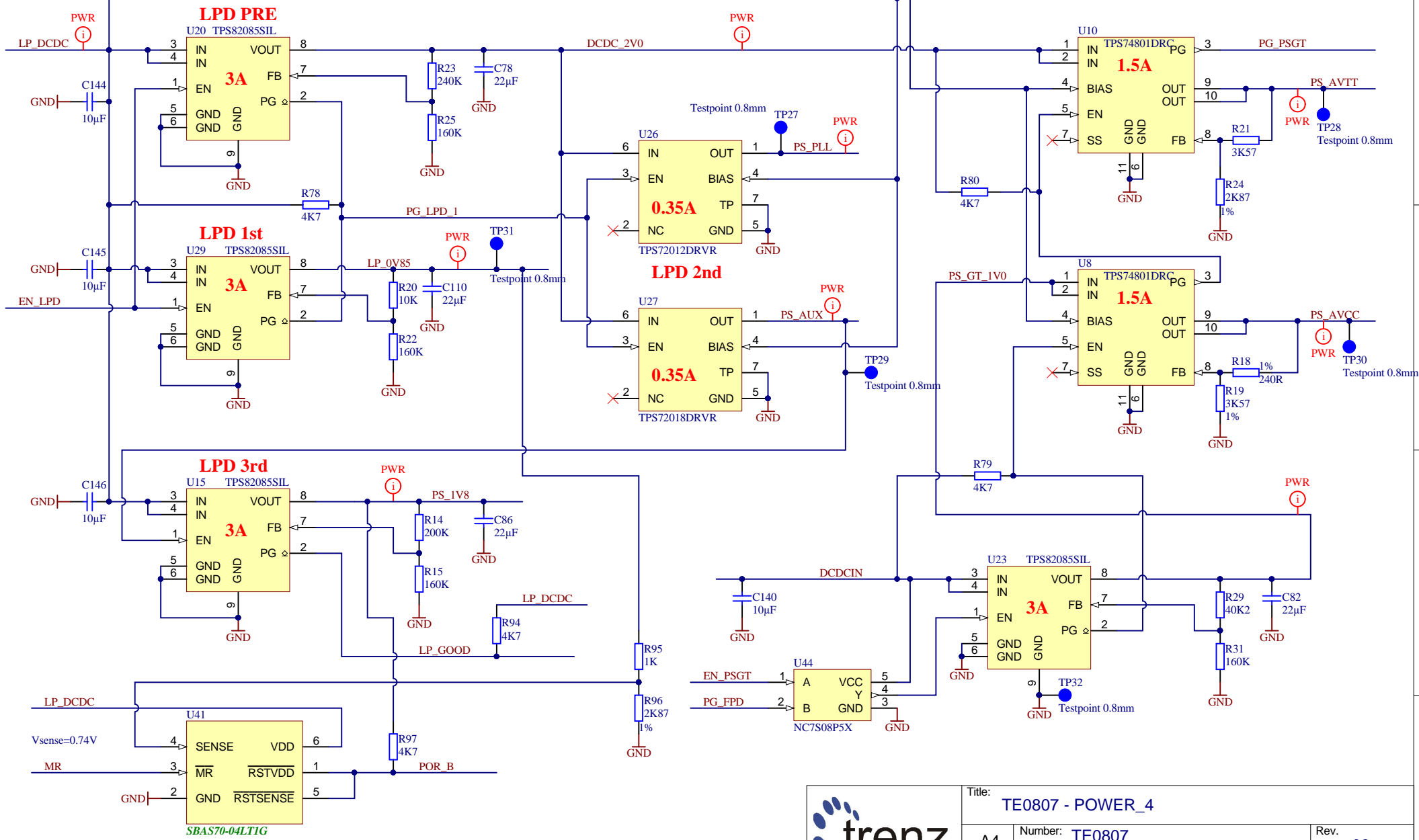
Title: TE0807 - POWER		
A4	Number: TE0807 4A121-X	Rev. 03
Date: 2020-05-08	Copyright: Trenz Electronic GmbH / TT	Page 25 of 29
Filename: POWER.SchDoc		



		Title: TE0807 - POWER_2	
		A4	Number: TE0807 4AI21-X
Date: 2020-05-08		Copyright: Trenz Electronic GmbH / TT	
Filename: POWER_2.SchDoc		Page 26 of 29	



		Title: TE0807 - POWER_3	
		A4	Number: TE0807 4AI21-X
Date: 2020-05-08		Copyright: Trenz Electronic GmbH / TT	
Page 27 of 29		Filename: POWER_3.SchDoc	



Title: TE0807 - POWER_4		
A4	Number: TE0807 4A121-X	Rev. 03
Date: 2020-05-08	Copyright: Trenz Electronic GmbH / TT	Page 28 of 29
Filename: POWER_4.SchDoc		

1

2

3

4

CHANGES REV01 to REV02

- 1) Added EEPROM (U11,24AA025E48T-I/OT)
- 2) Added optional resistors R39/R40 for QSPI flash (do not populated)
- 3) Fixed VCU connection (added additional DCDC and capacitors), recommendation from Xilinx
- 4) Changed obsolete DDR4 chips (NT5AD256M16B2-GN -> K4A8G165WB-BIRC)
- 5) Added net "PG\_VCU" to J2 (pin97)
- 6) full update lib

CHANGES REV02 to REV03 (06.2020)

- VT: 1) Fixed ADC connection  
 2) Fixed DDR4 connection (support B-die DDR4 chips)  
 3) Fixed DDR4 connection (alert\_n pin connection)  
 4) Added U16  
 4) Added testpoints  
 5) Full update LIB

A

A

B


B

C

C

D

D

		Title: TE0807 - Changes list		
		A4	Number: TE0807 4AI21-X	Rev. 03
		Date: 2020-05-08	Copyright: Trenz Electronic GmbH	Page 29 of 29
		Filename: Revision_Changes.SchDoc		

1

2

3

4