


Regarding the usage of our schematics and alike documentation for Trenz module .

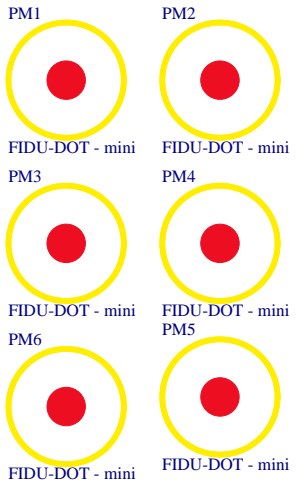
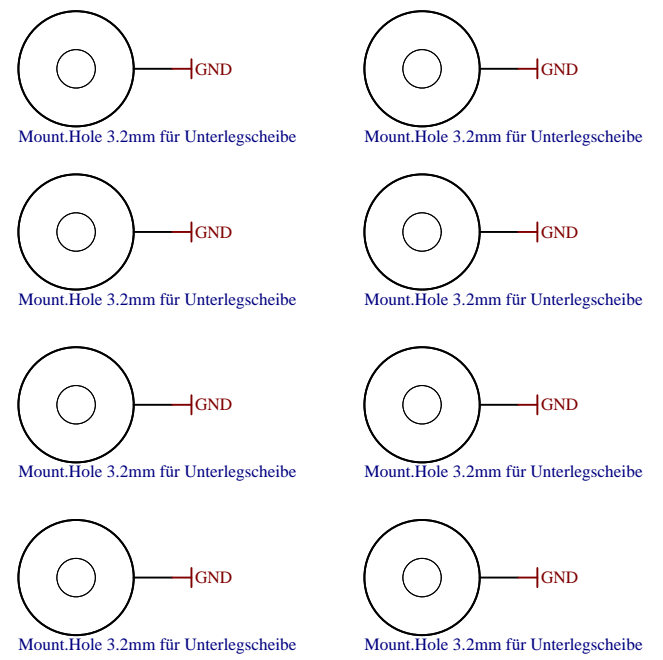
Project is protected under copyright and we strongly and strictly prohibit the reverse engineering or recreation, even if the design is just adapted or modified. is protected under such right and in case of plagiarism we will have to do anything necessary in order to protect our assets.

Schematics and other handouts serve for informational purposes only!

	Title: TE0807 - Legal Notices		
	A4	Number: TE0807 7A181-A	Rev. 03
	Date: 2020-05-08	Copyright: Trenz Electronic GmbH / TT	Page 1 of 29
	Filename: Legal Notices Modules.SchDoc		

U_J1 J1.SchDoc	U_B_PS_GT B_PS_GT.SchDoc	U_DDR4-TERM DDR4-TERM.SchDoc
U_J2 J2.SchDoc	U_PS_DDR PS_DDR.SchDoc	U_ZU_POWER ZU_POWER.SchDoc
U_J3 J3.SchDoc	U_B_MIO B_MIO.SchDoc	U_ZU_PS_POWER ZU_PS_POWER.SchDoc
U_J4 J4.SchDoc	U_B_HD B_HD.SchDoc	U_POWER POWER.SchDoc
U_DDR4-TERM DDR4-TERM.SchDoc	U_Clock Clock.SchDoc	U_POWER_2 POWER_2.SchDoc
U_B64 B64.SchDoc	U_CONFIG CONFIG.SchDoc	U_POWER_3 POWER_3.SchDoc
U_B65 B65.SchDoc	U_DDR4-RAM DDR4-RAM.SchDoc	U_POWER_4 POWER_4.SchDoc
U_B66 B66.SchDoc	U_DDR4-RAM_2 DDR4-RAM_2.SchDoc	
U_B_GT B_GT.SchDoc	U_DDR4-RAM_3 DDR4-RAM_3.SchDoc	
U_B_GT_2 B_GT_2.SchDoc	U_DDR4-RAM_4 DDR4-RAM_4.SchDoc	

Special notes:



LOGO1
TE Logo PRINT Layer
LOGO PRINT

Serial
Serialnummer 6,3 x 6.3mm

Assembly variant	7AI81-A
Created by	ED
Modified by	ED
Modified at	2022-07-25
SVN Revision	9876

	Title: TE0807	
	A4	Number: TE0807 7AI81-A
	Date: 2020-05-08	Copyright: Trenz Electronic GmbH / TT
	Rev. 03	Page2 of 29
Filename: TE0807.SchDoc		

A

B

C

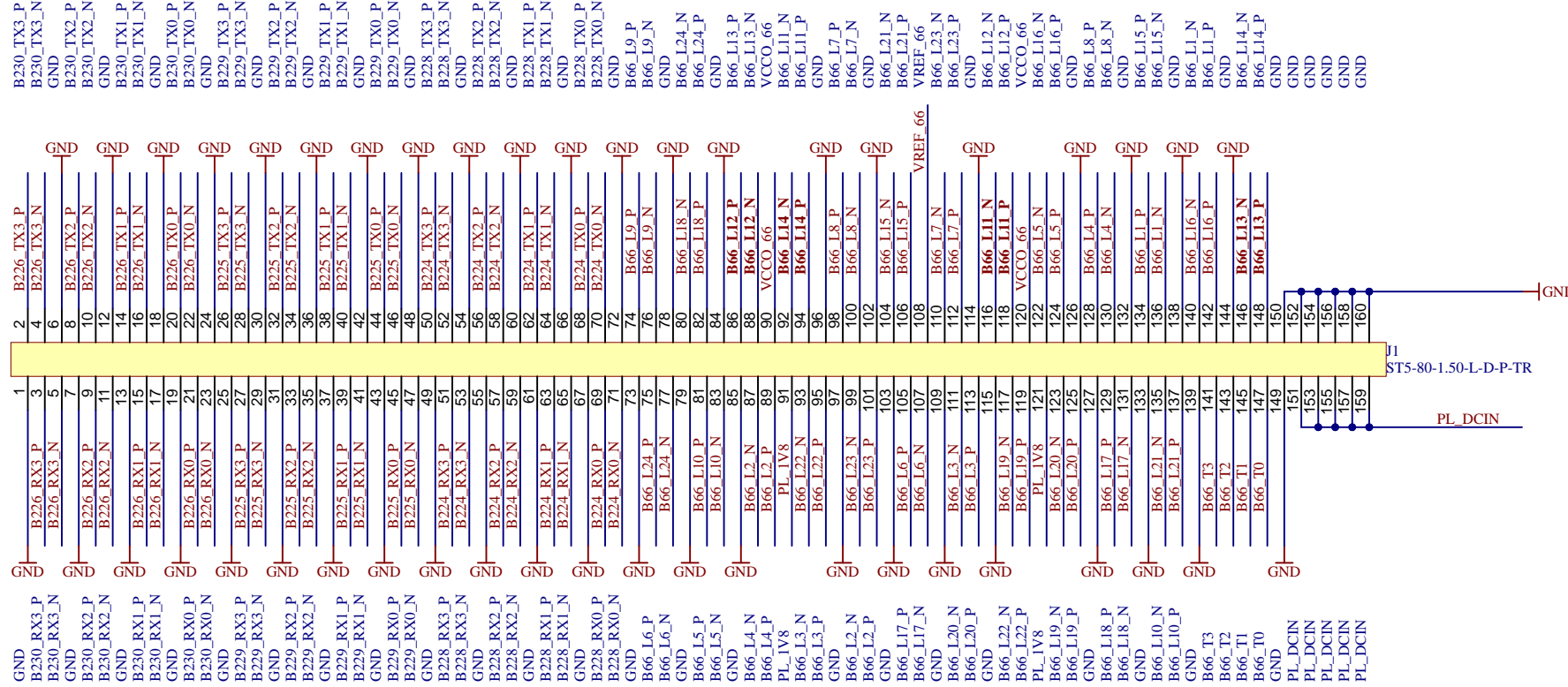

D

1

2

3

4

Title: TE0807 - Connector J1		
A4	Number: TE0807 7A181-A	Rev. 03
Date: 2020-05-08	Copyright: Trenz Electronic GmbH / TT	Page3 of 29
Filename: J1.SchDoc		

1

2

3

4

A

B

C

D

1

2

3

4

A

A

B

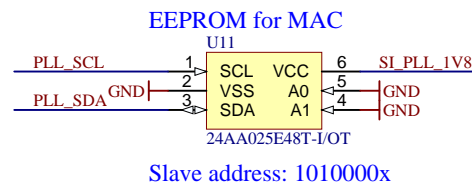
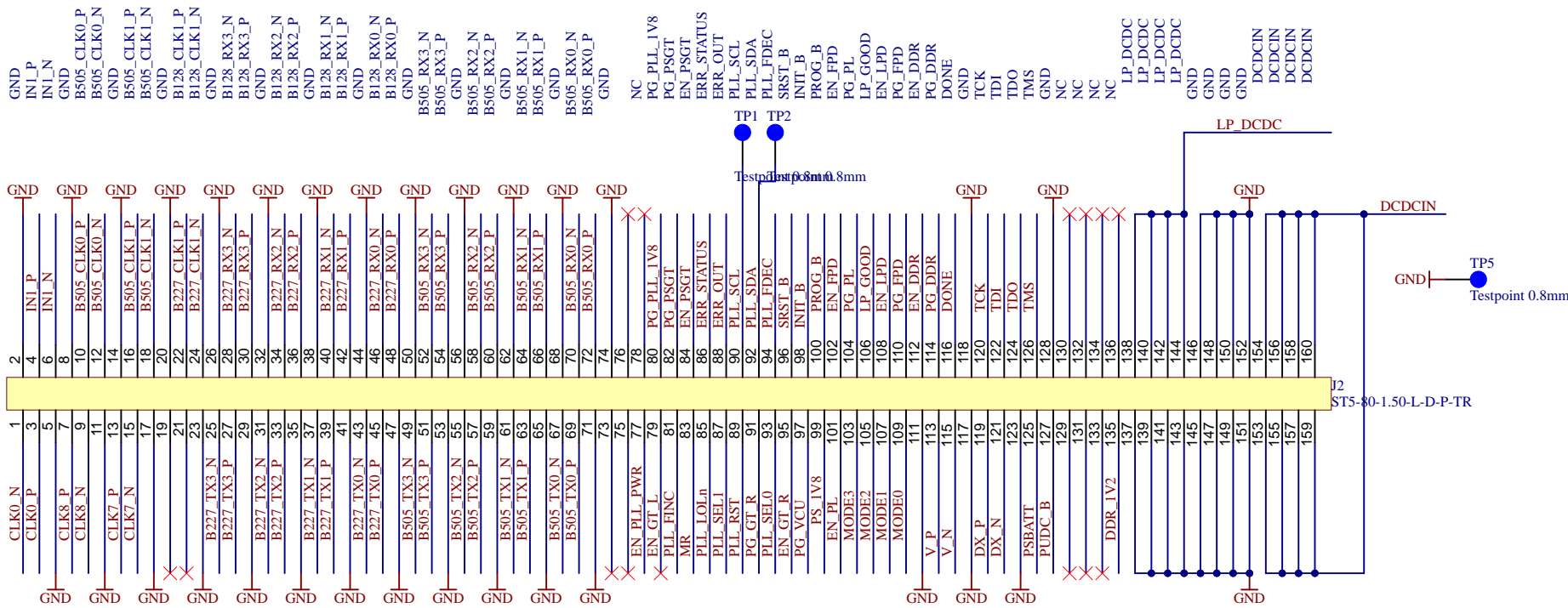
B

C

C

D

D



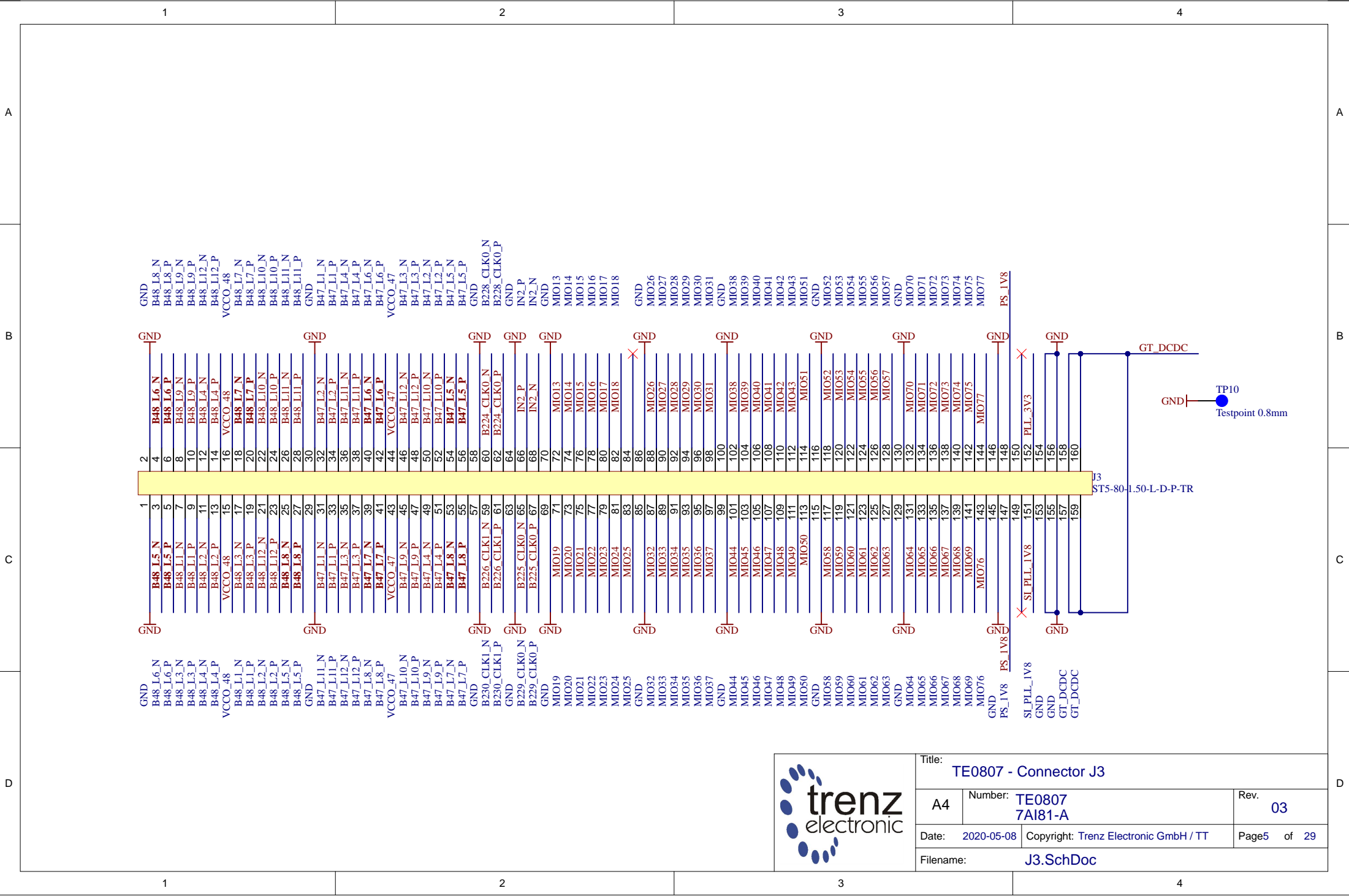
Title: TE0807 - Connector J2		
A4	Number: TE0807 7AI81-A	Rev. 03
Date: 2020-05-08	Copyright: Trenz Electronic GmbH / TT	Page 4 of 29
Filename: J2.SchDoc		


1

2

3

4



			Title: TE0807 - Connector J3	
			A4	Number: TE0807 7AI81-A
Date: 2020-05-08		Copyright: Trenz Electronic GmbH / TT		Page5 of 29
Filename: J3.SchDoc				

1

2

3

4

A

A

B

B

C

C

D

D

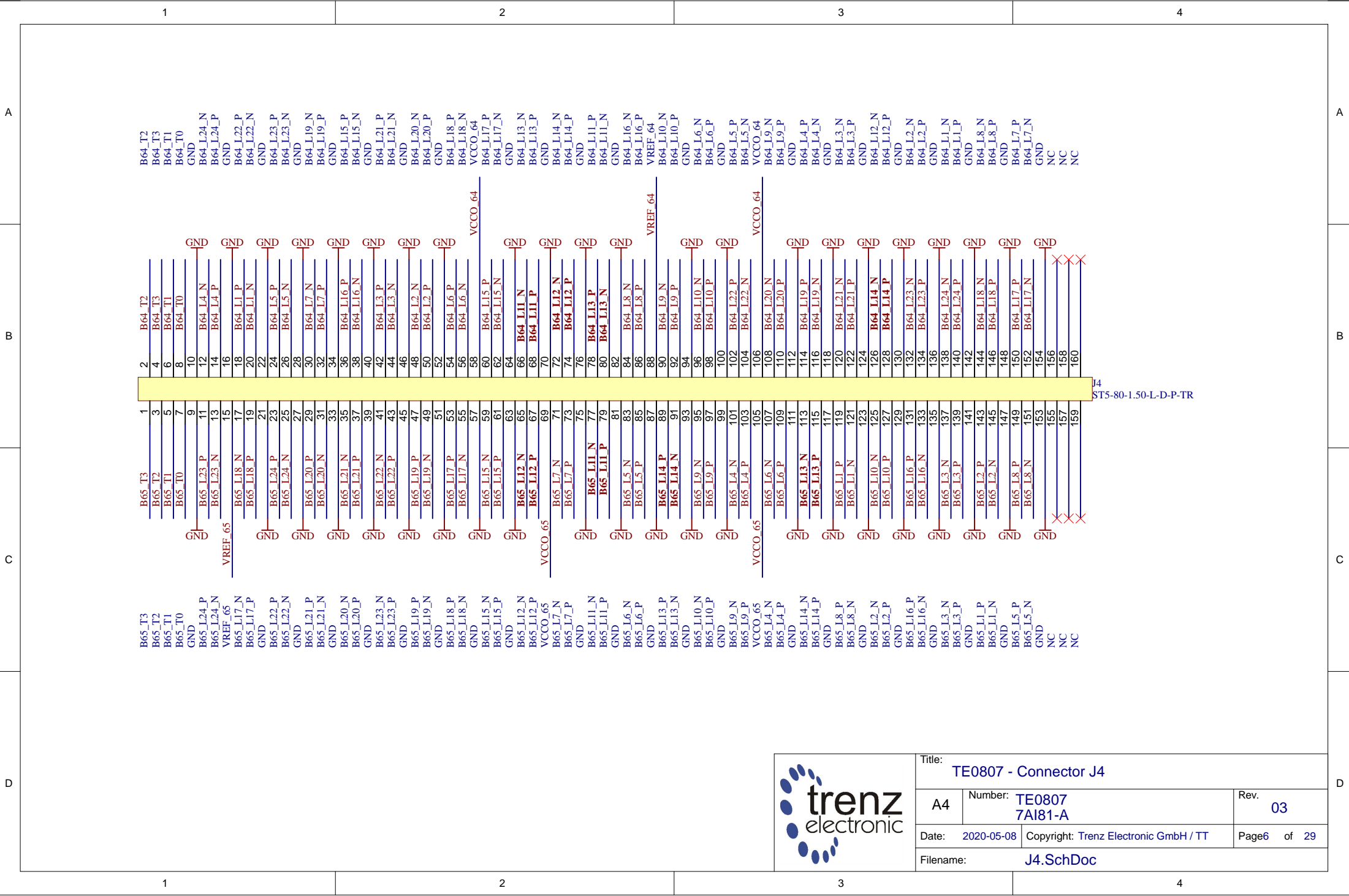
GND B48_L8_N B48_L8_P B48_L9_N B48_L9_P B48_L10_N B48_L10_P B48_L11_N B48_L11_P VCCO_48 B48_L7_N B48_L7_P B48_L10_N B48_L10_P B48_L11_N B48_L11_P GND B47_L1_N B47_L1_P B47_L2_N B47_L2_P B47_L3_N B47_L3_P B47_L4_N B47_L4_P B47_L5_N B47_L5_P VCCO_47 B228_CLK0_N B228_CLK0_P GND IN2_P IN2_N GND MIO13 MIO14 MIO15 MIO16 MIO17 MIO18 GND MIO26 MIO27 MIO28 MIO29 MIO30 MIO31 GND MIO38 MIO39 MIO40 MIO41 MIO42 MIO43 MIO51 MIO52 MIO53 MIO54 MIO55 MIO56 MIO57 GND MIO70 MIO71 MIO72 MIO73 MIO74 MIO75 MIO77 PS_IV8
 2 4 B48_L6_N B48_L6_P 6 B48_L9_N B48_L9_P 8 B48_L10_N B48_L10_P 10 B48_L11_N B48_L11_P 12 B48_L12_N B48_L12_P 14 B48_L4_P 16 VCCO_48 18 B48_L7_N B48_L7_P 20 B48_L10_N B48_L10_P 22 B48_L11_N B48_L11_P 24 B48_L12_N B48_L12_P 26 B48_L11_N B48_L11_P 28 B48_L11_N B48_L11_P 30 GND 32 B47_L2_N B47_L2_P 34 B47_L2_P B47_L2_P 36 B47_L1_N B47_L1_P 38 B47_L1_P B47_L1_P 40 B47_L6_N B47_L6_P 42 VCCO_47 44 VCCO_47 46 B47_L12_N B47_L12_P 48 B47_L10_N B47_L10_P 50 B47_L10_N B47_L10_P 52 B47_L10_P B47_L10_P 54 B47_L5_N B47_L5_P 56 B47_L5_P B47_L5_P 58 GND 60 B224_CLK0_N B224_CLK0_P 62 B224_CLK0_P 64 GND 66 IN2_P IN2_N 70 GND 72 MIO13 MIO14 MIO15 MIO16 MIO17 MIO18 84 GND 86 MIO26 MIO27 90 MIO27 MIO28 MIO29 94 GND 96 MIO30 MIO31 98 GND 100 GND 102 MIO38 MIO39 104 MIO39 MIO40 106 MIO40 MIO41 108 MIO41 MIO42 110 MIO42 MIO43 112 MIO43 MIO51 114 MIO51 116 GND 118 MIO52 MIO53 120 MIO53 MIO54 122 MIO54 MIO55 124 MIO55 MIO56 126 MIO56 MIO57 128 MIO57 130 GND 132 MIO70 MIO71 134 MIO71 MIO72 136 MIO72 MIO73 138 MIO73 MIO74 140 MIO74 MIO75 142 MIO75 MIO77 144 MIO77 146 GND 148 GND 150 PS_IV8 152 PLL_3V3 154 GND 156 GND 158 GND 160 GND
 1 3 B48_L5_N B48_L5_P 5 B48_L1_N B48_L1_P 7 B48_L1_N B48_L1_P 9 B48_L1_N B48_L1_P 11 B48_L2_N B48_L2_P 13 B48_L2_P B48_L2_P 15 VCCO_48 17 B48_L3_N B48_L3_P 19 B48_L3_P B48_L3_P 21 B48_L12_N B48_L12_P 23 B48_L12_P B48_L12_P 25 B48_L8_N B48_L8_P 27 B48_L8_N B48_L8_P 29 GND 31 B47_L1_N B47_L1_P 33 B47_L1_P B47_L1_P 35 B47_L3_N B47_L3_P 37 B47_L3_P B47_L3_P 39 B47_L7_N B47_L7_P 41 B47_L7_P B47_L7_P 43 VCCO_47 45 B47_L9_N B47_L9_P 47 B47_L9_P B47_L9_P 49 B47_L4_N B47_L4_P 51 B47_L4_P B47_L4_P 53 B47_L8_N B47_L8_P 55 B47_L8_P B47_L8_P 57 GND 59 B230_CLK1_N B230_CLK1_P 61 B226_CLK1_P 63 GND 65 B225_CLK0_N B225_CLK0_P 67 B225_CLK0_P 69 GND 71 MIO19 MIO20 73 MIO20 MIO21 75 MIO21 MIO22 77 MIO22 MIO23 79 MIO23 MIO24 81 MIO24 MIO25 83 MIO25 GND 85 MIO32 MIO33 87 MIO33 MIO34 89 MIO34 MIO35 91 MIO35 MIO36 93 MIO36 MIO37 95 MIO37 MIO37 97 MIO37 99 GND 101 MIO44 MIO45 103 MIO45 MIO46 105 MIO46 MIO47 107 MIO47 MIO48 109 MIO48 MIO49 111 MIO49 MIO50 113 MIO50 115 GND 117 MIO58 MIO59 119 MIO59 MIO60 121 MIO60 MIO61 123 MIO61 MIO62 125 MIO62 MIO63 127 MIO63 129 GND 131 MIO64 MIO65 133 MIO65 MIO66 135 MIO66 MIO67 137 MIO67 MIO68 139 MIO68 MIO69 141 MIO69 MIO76 143 MIO76 145 GND 147 PS_IV8 149 PS_IV8 151 SI_PLL_IV8 153 GND 155 GND 157 GT_DCDC 159 GT_DCDC
 GND B48_L6_N B48_L6_P B48_L9_N B48_L9_P B48_L10_N B48_L10_P B48_L11_N B48_L11_P VCCO_48 B48_L7_N B48_L7_P B48_L10_N B48_L10_P B48_L11_N B48_L11_P GND B47_L1_N B47_L1_P B47_L2_N B47_L2_P B47_L3_N B47_L3_P B47_L4_N B47_L4_P B47_L5_N B47_L5_P VCCO_47 B224_CLK0_N B224_CLK0_P GND IN2_P IN2_N GND MIO13 MIO14 MIO15 MIO16 MIO17 MIO18 GND MIO26 MIO27 90 MIO27 MIO28 MIO29 94 GND 96 MIO30 MIO31 98 GND 100 GND 102 MIO38 MIO39 104 MIO39 MIO40 106 MIO40 MIO41 108 MIO41 MIO42 110 MIO42 MIO43 112 MIO43 MIO51 114 MIO51 116 GND 118 MIO52 MIO53 120 MIO53 MIO54 122 MIO54 MIO55 124 MIO55 MIO56 126 MIO56 MIO57 128 MIO57 130 GND 132 MIO70 MIO71 134 MIO71 MIO72 136 MIO72 MIO73 138 MIO73 MIO74 140 MIO74 MIO75 142 MIO75 MIO77 144 MIO77 146 GND 148 GND 150 PS_IV8 152 PLL_3V3 154 GND 156 GND 158 GND 160 GND
 J3 ST5-80-1.50-L-D-P-TR
 GND TP10 Testpoint 0.8mm

1

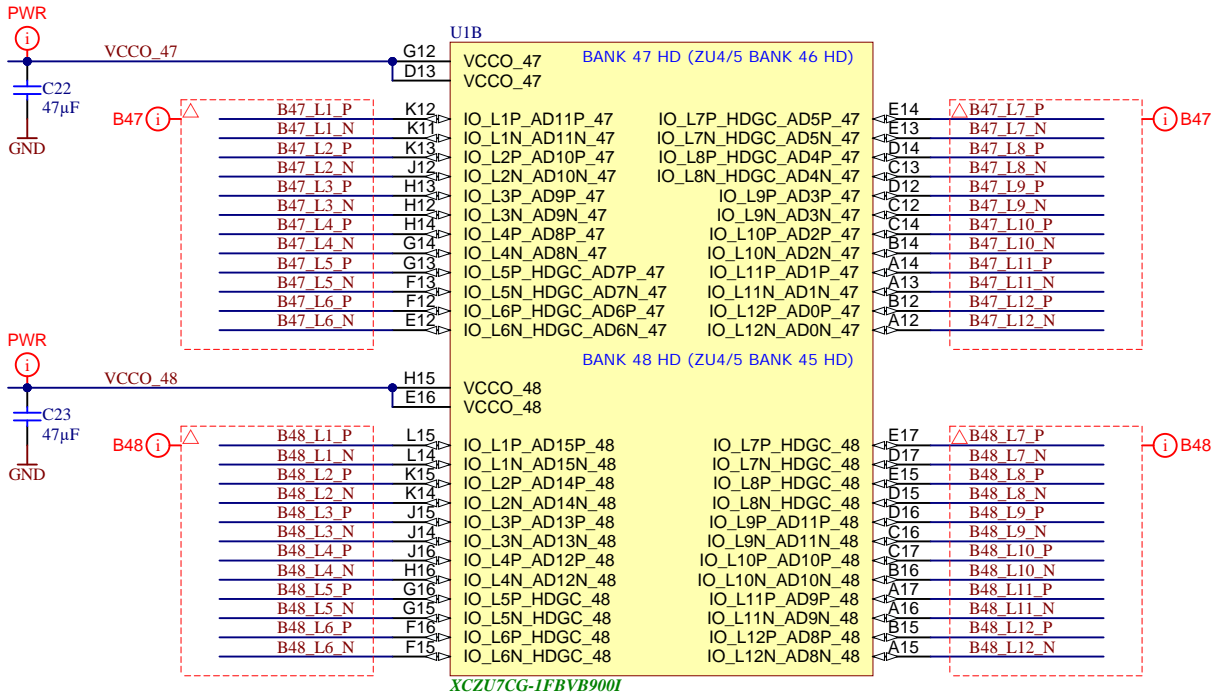

2

3

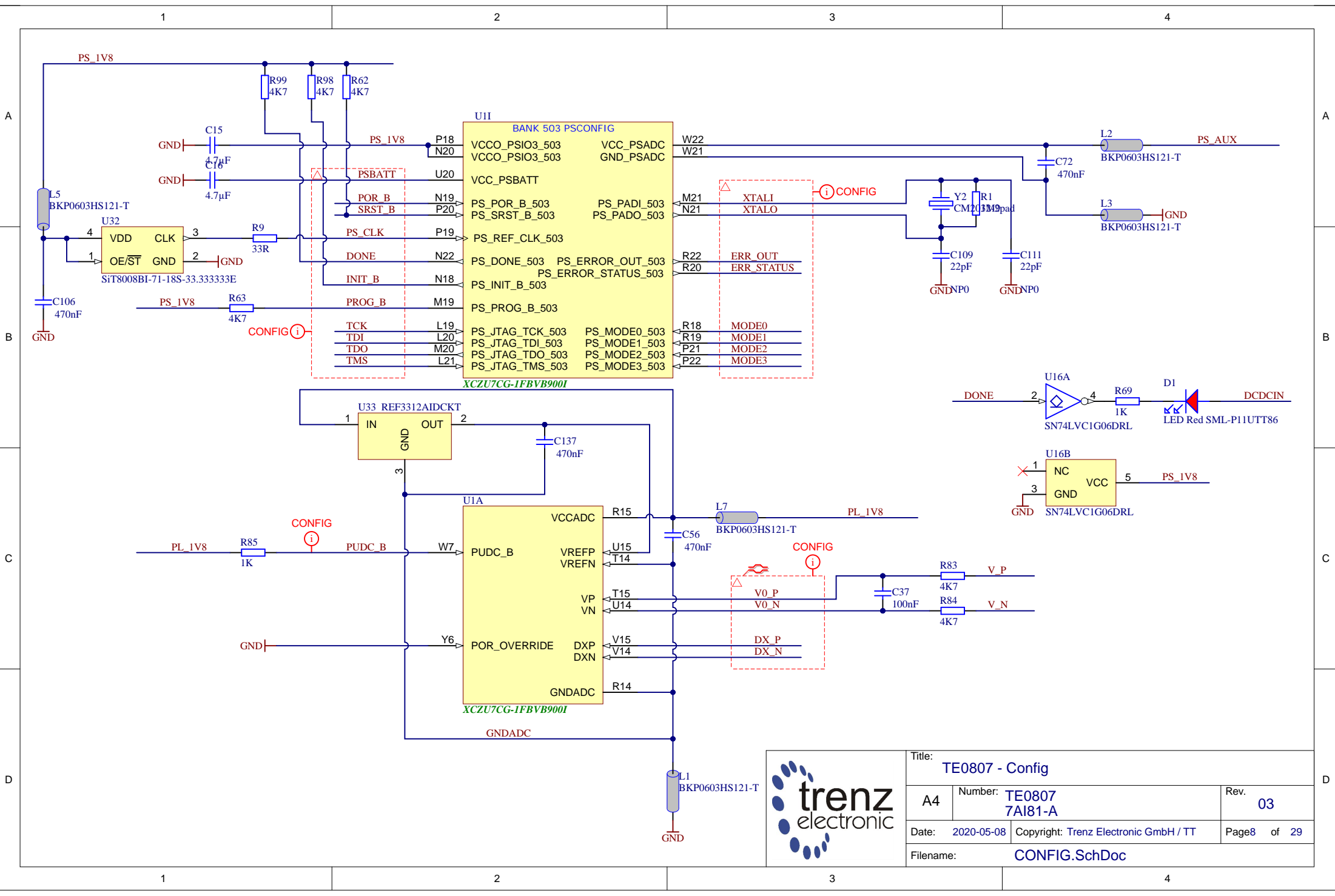
4



Title: TE0807 - Connector J4		
A4	Number: TE0807 7A181-A	Rev. 03
Date: 2020-05-08	Copyright: Trenz Electronic GmbH / TT	Page6 of 29
Filename: J4.SchDoc		

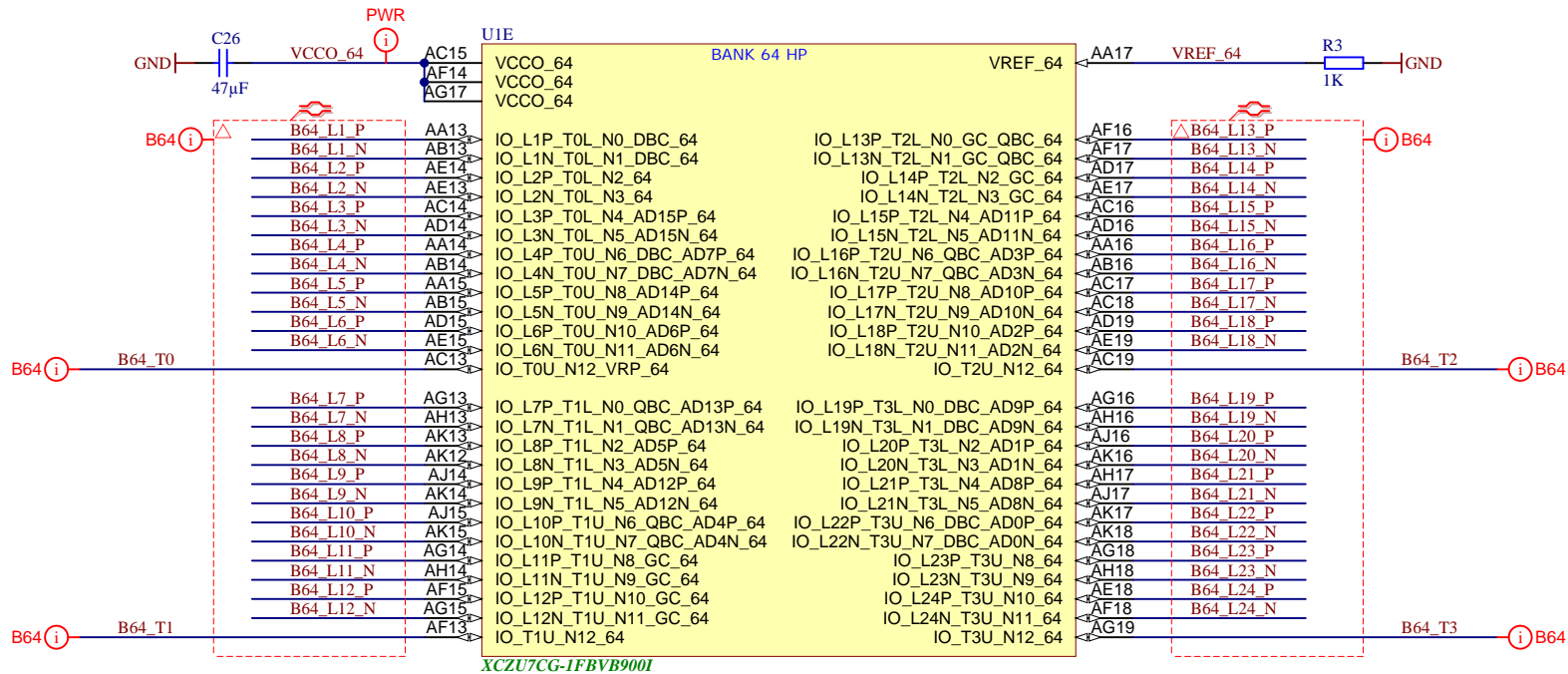



Title: TE0807 - B47HD and B48HD		
A4	Number: TE0807 7AI81-A	Rev. 03
Date: 2020-05-08	Copyright: Trenz Electronic GmbH / TT	Page 7 of 29
Filename: B_HD.SchDoc		



Title: TE0807 - Config		
A4	Number: TE0807 7A181-A	Rev. 03
Date: 2020-05-08	Copyright: Trenz Electronic GmbH / TT	Page 8 of 29
Filename: CONFIG.SchDoc		

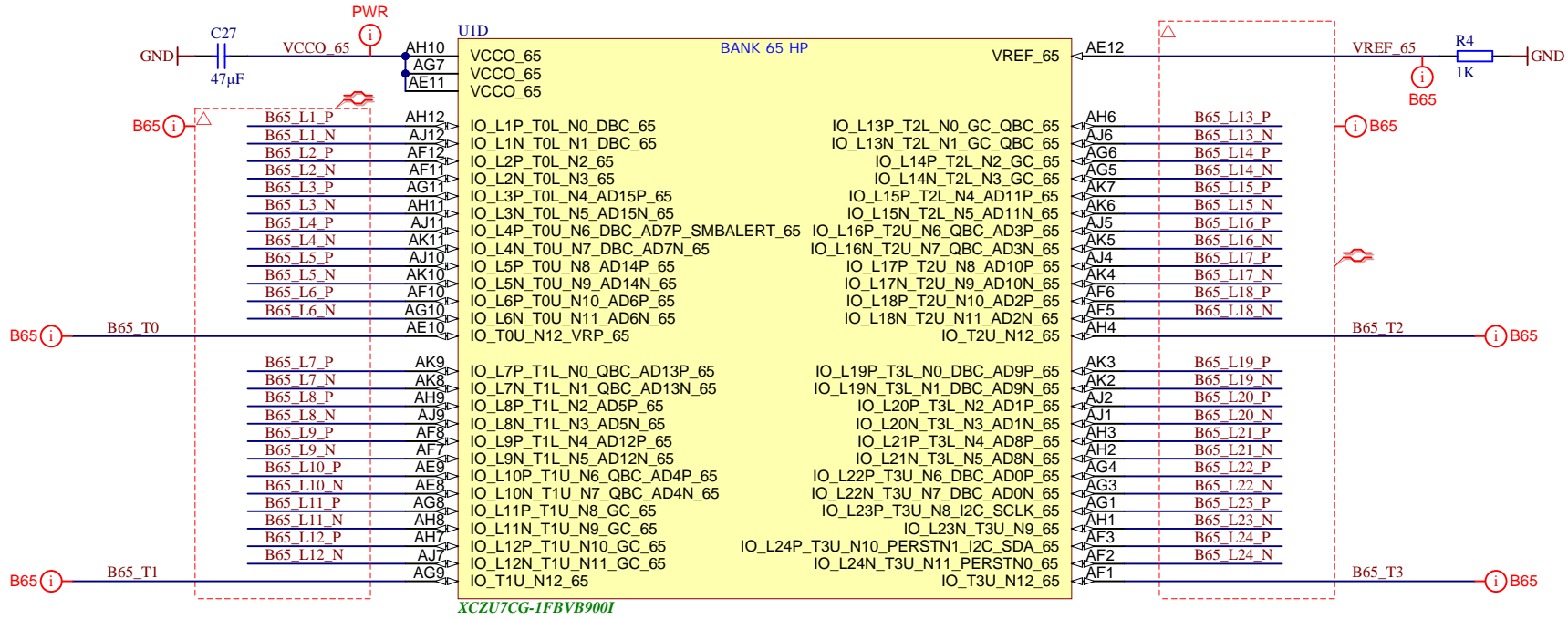




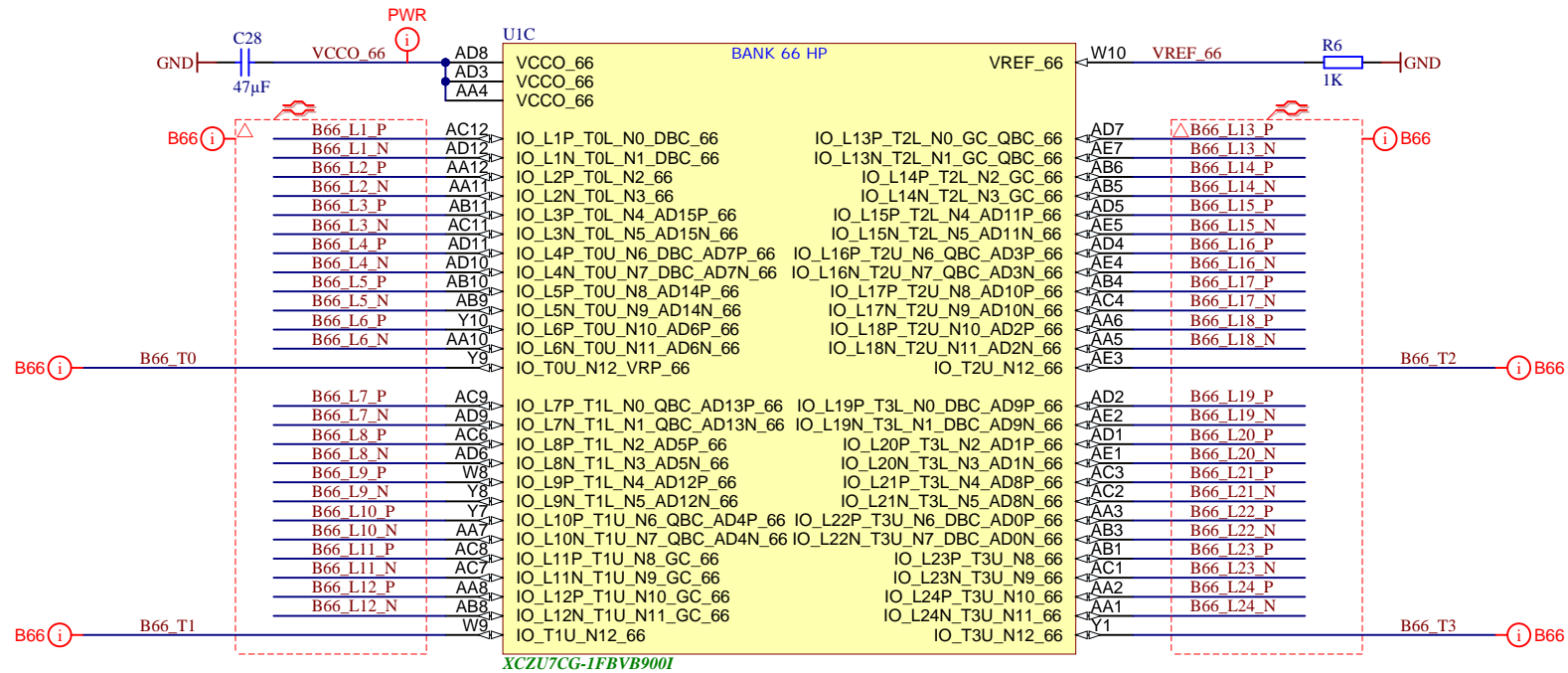

XCZU7CG-1FBVB9001



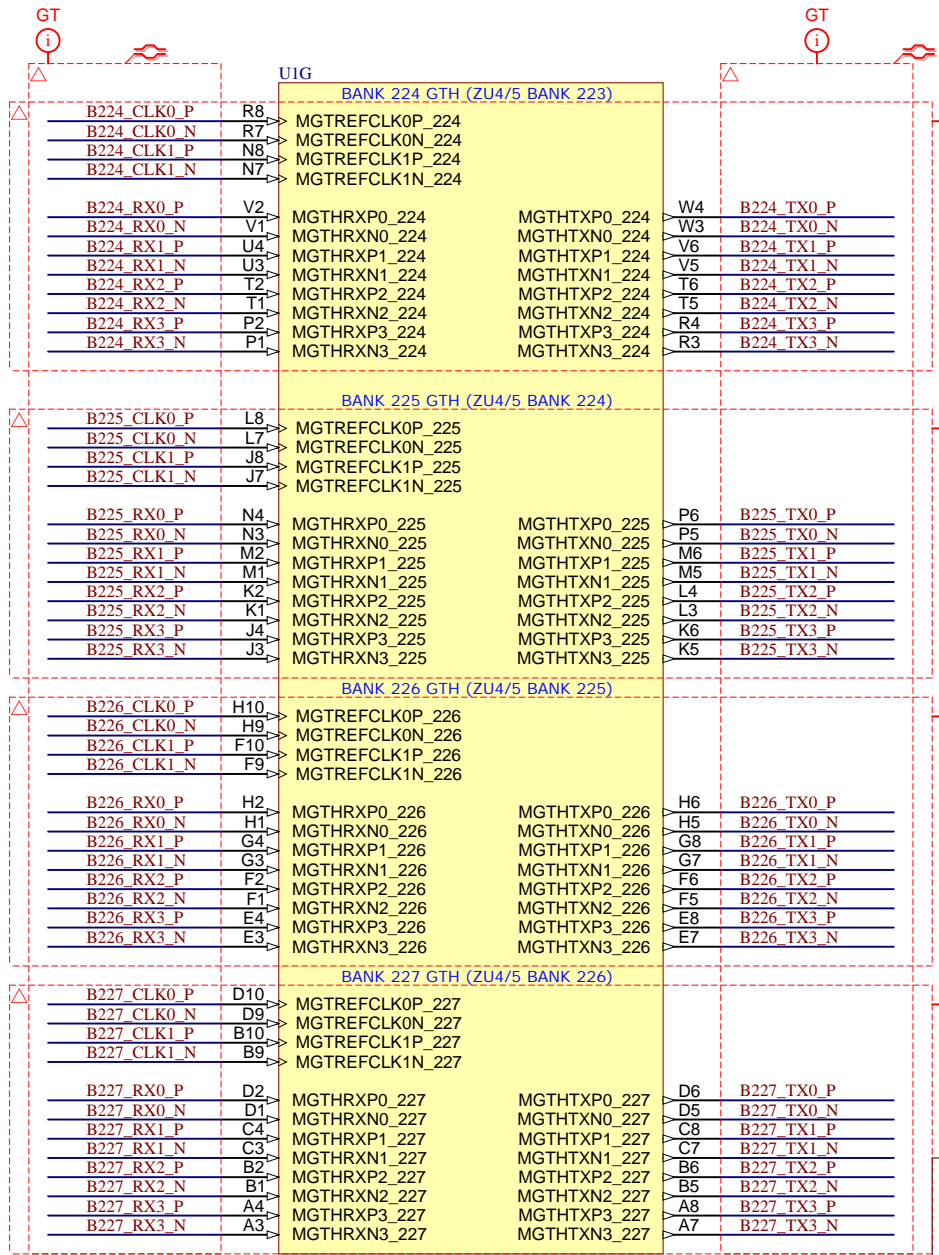
Title: TE0807 - B64		
A4	Number: TE0807 7AI81-A	Rev. 03
Date: 2020-05-08	Copyright: Trenz Electronic GmbH / TT	Page9 of 29
Filename: B64.SchDoc		



Title: TE0807 - B65		
A4	Number: TE0807 7AI81-A	Rev. 03
Date: 2020-05-08	Copyright: Trenz Electronic GmbH / TT	Page 10 of 29
Filename: B65.SchDoc		

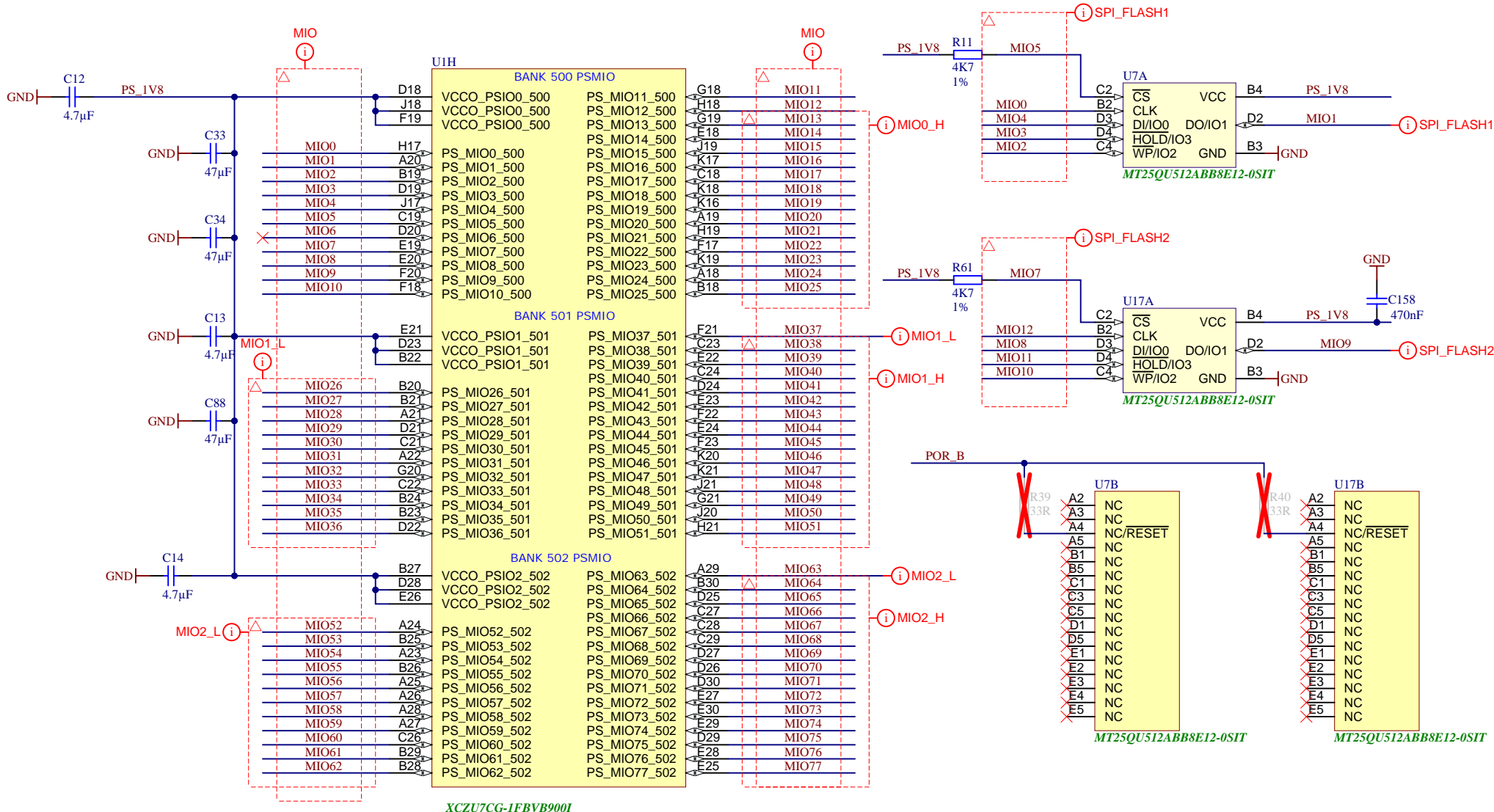
Title: TE0807 - B66		
A4	Number: TE0807 7A181-A	Rev. 03
Date: 2020-05-08	Copyright: Trenz Electronic GmbH / TT	Page 11 of 29
Filename: B66.SchDoc		



XCZU7CG-1FBVB9001



Title: TE0807 - GTH_Banks		
A4	Number: TE0807 7A181-A	Rev. 03
Date: 2020-05-08	Copyright: Trenz Electronic GmbH / TT	Page 12 of 29
Filename: B_GT.SchDoc		



XCZU7CG-1FBVB9001

	Title: TE0807 - MIO Banks		
	A4	Number: TE0807 7A181-A	Rev. 03
	Date: 2020-05-08	Copyright: Trenz Electronic GmbH / TT	Page 14 of 29
	Filename: B_MIO.SchDoc		

A

B

C

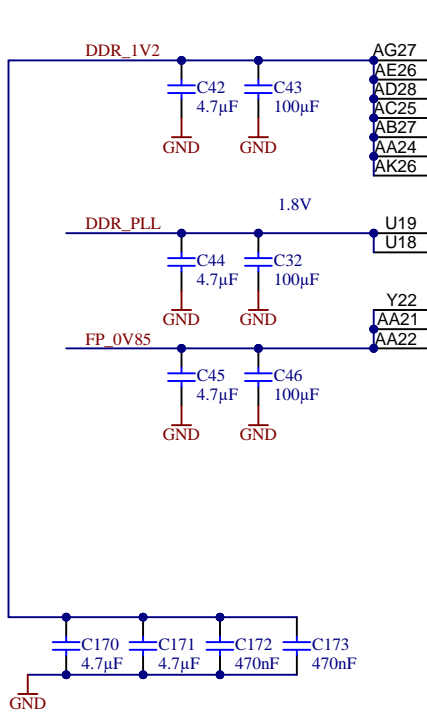
D

A

B

C

D

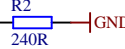


UIJ BANK 504 PSDDR

AG27	VCCO_PSDDR_504	PS_DDR_CK0_504
AE26	VCCO_PSDDR_504	PS_DDR_CK_N0_504
AD28	VCCO_PSDDR_504	PS_DDR_CKE0_504
AC25	VCCO_PSDDR_504	
AB27	VCCO_PSDDR_504	PS_DDR_CK1_504
AA24	VCCO_PSDDR_504	PS_DDR_CK_N1_504
AK26	VCCO_PSDDR_504	PS_DDR_CKE1_504
U19	VCC_PSDDR_PLL	PS_DDR_A0_504
U18	VCC_PSDDR_PLL	PS_DDR_A1_504
	VCC_PSDDR_PLL	PS_DDR_A2_504
		PS_DDR_A3_504
		PS_DDR_A4_504
Y22	VCC_PSINTFP_DDR	PS_DDR_A5_504
AA21	VCC_PSINTFP_DDR	PS_DDR_A6_504
AA22	VCC_PSINTFP_DDR	PS_DDR_A7_504
		PS_DDR_A8_504
		PS_DDR_A9_504
		PS_DDR_A10_504
		PS_DDR_A11_504
		PS_DDR_A12_504
		PS_DDR_A13_504
		PS_DDR_A14_504
		PS_DDR_A15_504
		PS_DDR_A16_504
		PS_DDR_A17_504
		PS_DDR_CS_N0_504
		PS_DDR_CS_N1_504
		PS_DDR_BA0_504
		PS_DDR_BA1_504
		PS_DDR_BG0_504
		PS_DDR_BG1_504
		PS_DDR_PARITY_504
		PS_DDR_RAM_RST_N_504
		PS_DDR_ACT_N_504
		PS_DDR_ALERT_N_504
		PS_DDR_ZQ_504
		PS_DDR_ODT0_504
		PS_DDR_ODT1_504

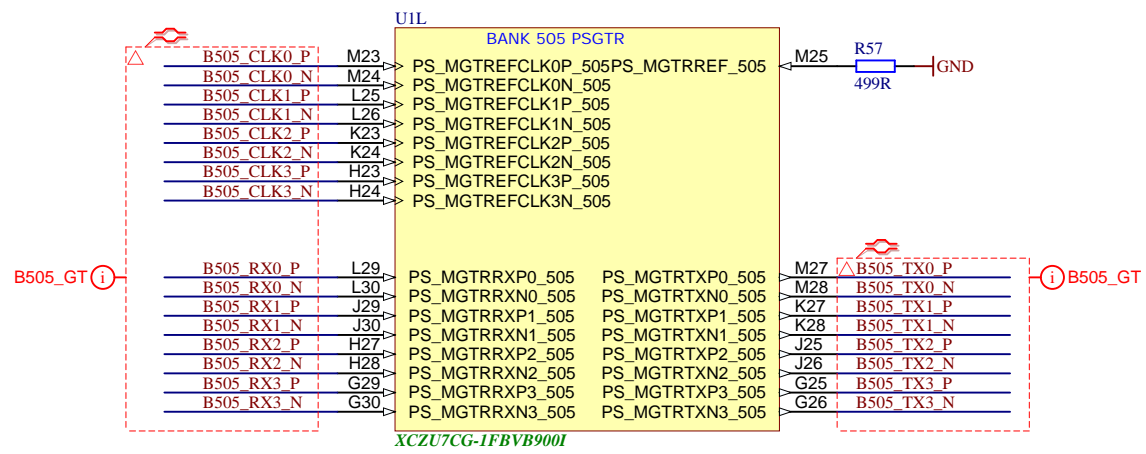
XCZU7CG-1FBVB9001

AE30	DDR4-CLK0_P
AF30	DDR4-CLK0_N
AC30	DDR4-CKE0
AF28	
AG28	
AB28	
AH30	DDR4-A0
AG30	DDR4-A1
AK29	DDR4-A2
AJ30	DDR4-A3
AK28	DDR4-A4
AK27	DDR4-A5
AF27	DDR4-A6
AE27	DDR4-A7
AF26	DDR4-A8
AG26	DDR4-A9
AE29	DDR4-A10
AE28	DDR4-A11
AH29	DDR4-A12
AG29	DDR4-A14
AJ29	DDR4-A15
AH27	DDR4-A16
AJ27	DDR4-A17
AD30	DDR4-CS
AD29	
AD27	DDR4-BA0
AC26	DDR4-BA1
AC28	DDR4-BG0
AC27	DDR4-BG1
AB26	DDR4-PAR
AB25	DDR4-RESET
AD26	DDR4-ACT
AB24	DDR4-ALERT
AB23	
AB30	DDR4-ODT0
AC29	

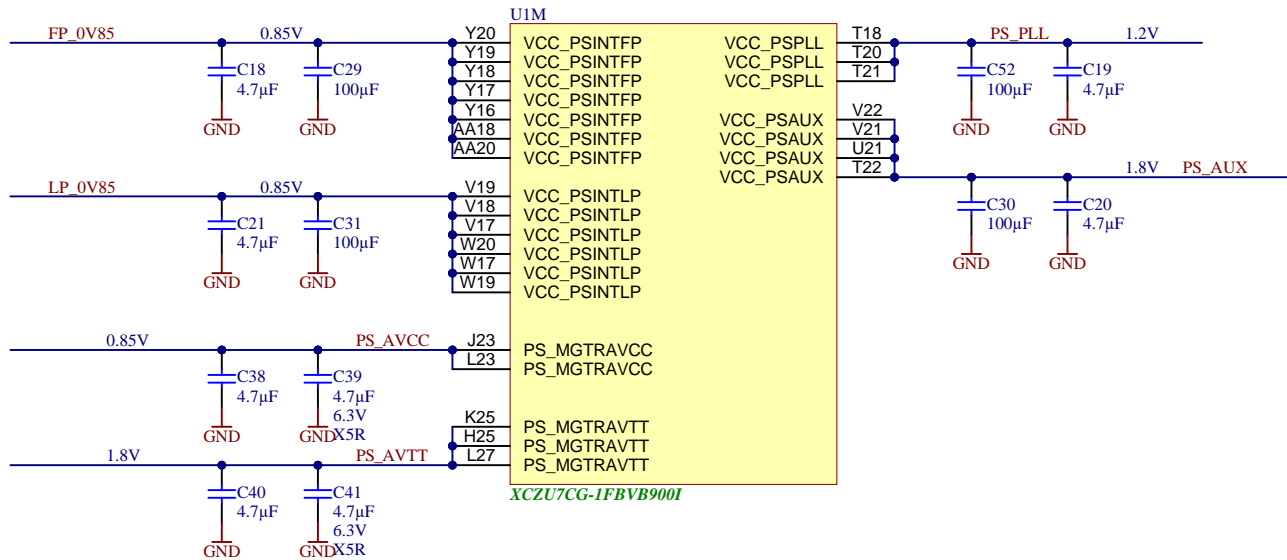


UIK BANK 504 PSDDR

DQ0	AH22	PS_DDR_DQ0_504	PS_DDR_DQ32_504
DQ1	AH21	PS_DDR_DQ1_504	PS_DDR_DQ33_504
DQ2	AJ22	PS_DDR_DQ2_504	PS_DDR_DQ34_504
DQ3	AK22	PS_DDR_DQ3_504	PS_DDR_DQ35_504
DQ4	AK20	PS_DDR_DQ4_504	PS_DDR_DQ36_504
DQ5	AJ19	PS_DDR_DQ5_504	PS_DDR_DQ37_504
DQ6	AK19	PS_DDR_DQ6_504	PS_DDR_DQ38_504
DQ7	AH19	PS_DDR_DQ7_504	PS_DDR_DQ39_504
DQ8	AH23	PS_DDR_DQ8_504	PS_DDR_DQ40_504
DQ9	AK23	PS_DDR_DQ9_504	PS_DDR_DQ41_504
DQ10	AG24	PS_DDR_DQ10_504	PS_DDR_DQ42_504
DQ11	AJ24	PS_DDR_DQ11_504	PS_DDR_DQ43_504
DQ12	AK26	PS_DDR_DQ12_504	PS_DDR_DQ44_504
DQ13	AK25	PS_DDR_DQ13_504	PS_DDR_DQ45_504
DQ14	AG25	PS_DDR_DQ14_504	PS_DDR_DQ46_504
DQ15	AH26	PS_DDR_DQ15_504	PS_DDR_DQ47_504
DQ16	AD22	PS_DDR_DQ16_504	PS_DDR_DQ48_504
DQ17	AE22	PS_DDR_DQ17_504	PS_DDR_DQ49_504
DQ18	AF22	PS_DDR_DQ18_504	PS_DDR_DQ50_504
DQ19	AG21	PS_DDR_DQ19_504	PS_DDR_DQ51_504
DQ20	AD20	PS_DDR_DQ20_504	PS_DDR_DQ52_504
DQ21	AF20	PS_DDR_DQ21_504	PS_DDR_DQ53_504
DQ22	AE20	PS_DDR_DQ22_504	PS_DDR_DQ54_504
DQ23	AG20	PS_DDR_DQ23_504	PS_DDR_DQ55_504
DQ24	AG23	PS_DDR_DQ24_504	PS_DDR_DQ56_504
DQ25	AF23	PS_DDR_DQ25_504	PS_DDR_DQ57_504
DQ26	AF25	PS_DDR_DQ26_504	PS_DDR_DQ58_504
DQ27	AE23	PS_DDR_DQ27_504	PS_DDR_DQ59_504
DQ28	AC22	PS_DDR_DQ28_504	PS_DDR_DQ60_504
DQ29	AC23	PS_DDR_DQ29_504	PS_DDR_DQ61_504
DQ30	AD25	PS_DDR_DQ30_504	PS_DDR_DQ62_504
DQ31	AC24	PS_DDR_DQ31_504	PS_DDR_DQ63_504
		PS_DDR_DQ64_504	PS_DDR_DQ65_504
		PS_DDR_DQ66_504	PS_DDR_DQ67_504
		PS_DDR_DQ68_504	PS_DDR_DQ69_504
		PS_DDR_DQ70_504	PS_DDR_DQ71_504
		PS_DDR_DQ72_504	PS_DDR_DQ73_504
		PS_DDR_DQ74_504	PS_DDR_DQ75_504
		PS_DDR_DQ76_504	PS_DDR_DQ77_504
		PS_DDR_DQ78_504	PS_DDR_DQ79_504
		PS_DDR_DQ80_504	PS_DDR_DQ81_504
		PS_DDR_DQ82_504	PS_DDR_DQ83_504
		PS_DDR_DQ84_504	PS_DDR_DQ85_504
		PS_DDR_DQ86_504	PS_DDR_DQ87_504
		PS_DDR_DQ88_504	PS_DDR_DQ89_504
		PS_DDR_DQ90_504	PS_DDR_DQ91_504
		PS_DDR_DQ92_504	PS_DDR_DQ93_504
		PS_DDR_DQ94_504	PS_DDR_DQ95_504
		PS_DDR_DQ96_504	PS_DDR_DQ97_504
		PS_DDR_DQ98_504	PS_DDR_DQ99_504
		PS_DDR_DQ100_504	PS_DDR_DQ101_504
		PS_DDR_DQ102_504	PS_DDR_DQ103_504
		PS_DDR_DQ104_504	PS_DDR_DQ105_504
		PS_DDR_DQ106_504	PS_DDR_DQ107_504
		PS_DDR_DQ108_504	PS_DDR_DQ109_504
		PS_DDR_DQ110_504	PS_DDR_DQ111_504
		PS_DDR_DQ112_504	PS_DDR_DQ113_504
		PS_DDR_DQ114_504	PS_DDR_DQ115_504
		PS_DDR_DQ116_504	PS_DDR_DQ117_504
		PS_DDR_DQ118_504	PS_DDR_DQ119_504
		PS_DDR_DQ120_504	PS_DDR_DQ121_504
		PS_DDR_DQ122_504	PS_DDR_DQ123_504
		PS_DDR_DQ124_504	PS_DDR_DQ125_504
		PS_DDR_DQ126_504	PS_DDR_DQ127_504
		PS_DDR_DQ128_504	PS_DDR_DQ129_504
		PS_DDR_DQ130_504	PS_DDR_DQ131_504
		PS_DDR_DQ132_504	PS_DDR_DQ133_504
		PS_DDR_DQ134_504	PS_DDR_DQ135_504
		PS_DDR_DQ136_504	PS_DDR_DQ137_504
		PS_DDR_DQ138_504	PS_DDR_DQ139_504
		PS_DDR_DQ140_504	PS_DDR_DQ141_504
		PS_DDR_DQ142_504	PS_DDR_DQ143_504
		PS_DDR_DQ144_504	PS_DDR_DQ145_504
		PS_DDR_DQ146_504	PS_DDR_DQ147_504
		PS_DDR_DQ148_504	PS_DDR_DQ149_504
		PS_DDR_DQ150_504	PS_DDR_DQ151_504
		PS_DDR_DQ152_504	PS_DDR_DQ153_504
		PS_DDR_DQ154_504	PS_DDR_DQ155_504
		PS_DDR_DQ156_504	PS_DDR_DQ157_504
		PS_DDR_DQ158_504	PS_DDR_DQ159_504
		PS_DDR_DQ160_504	PS_DDR_DQ161_504
		PS_DDR_DQ162_504	PS_DDR_DQ163_504
		PS_DDR_DQ164_504	PS_DDR_DQ165_504
		PS_DDR_DQ166_504	PS_DDR_DQ167_504
		PS_DDR_DQ168_504	PS_DDR_DQ169_504
		PS_DDR_DQ170_504	PS_DDR_DQ171_504
		PS_DDR_DQ172_504	PS_DDR_DQ173_504
		PS_DDR_DQ174_504	PS_DDR_DQ175_504
		PS_DDR_DQ176_504	PS_DDR_DQ177_504
		PS_DDR_DQ178_504	PS_DDR_DQ179_504
		PS_DDR_DQ180_504	PS_DDR_DQ181_504
		PS_DDR_DQ182_504	PS_DDR_DQ183_504
		PS_DDR_DQ184_504	PS_DDR_DQ185_504
		PS_DDR_DQ186_504	PS_DDR_DQ187_504
		PS_DDR_DQ188_504	PS_DDR_DQ189_504
		PS_DDR_DQ190_504	PS_DDR_DQ191_504
		PS_DDR_DQ192_504	PS_DDR_DQ193_504
		PS_DDR_DQ194_504	PS_DDR_DQ195_504
		PS_DDR_DQ196_504	PS_DDR_DQ197_504
		PS_DDR_DQ198_504	PS_DDR_DQ199_504
		PS_DDR_DQ200_504	PS_DDR_DQ201_504
		PS_DDR_DQ202_504	PS_DDR_DQ203_504
		PS_DDR_DQ204_504	PS_DDR_DQ205_504
		PS_DDR_DQ206_504	PS_DDR_DQ207_504
		PS_DDR_DQ208_504	PS_DDR_DQ209_504
		PS_DDR_DQ210_504	PS_DDR_DQ211_504
		PS_DDR_DQ212_504	PS_DDR_DQ213_504
		PS_DDR_DQ214_504	PS_DDR_DQ215_504
		PS_DDR_DQ216_504	PS_DDR_DQ217_504
		PS_DDR_DQ218_504	PS_DDR_DQ219_504
		PS_DDR_DQ220_504	PS_DDR_DQ221_504
		PS_DDR_DQ222_504	PS_DDR_DQ223_504
		PS_DDR_DQ224_504	PS_DDR_DQ225_504
		PS_DDR_DQ226_504	PS_DDR_DQ227_504
		PS_DDR_DQ228_504	PS_DDR_DQ229_504
		PS_DDR_DQ230_504	PS_DDR_DQ231_504
		PS_DDR_DQ232_504	PS_DDR_DQ233_504
		PS_DDR_DQ234_504	PS_DDR_DQ235_504
		PS_DDR_DQ236_504	PS_DDR_DQ237_504
		PS_DDR_DQ238_504	PS_DDR_DQ239_504
		PS_DDR_DQ240_504	PS_DDR_DQ241_504
		PS_DDR_DQ242_504	PS_DDR_DQ243_504
		PS_DDR_DQ244_504	PS_DDR_DQ245_504
		PS_DDR_DQ246_504	PS_DDR_DQ247_504
		PS_DDR_DQ248_504	PS_DDR_DQ249_504
		PS_DDR_DQ250_504	PS_DDR_DQ251_504
		PS_DDR_DQ252_504	PS_DDR_DQ253_504
		PS_DDR_DQ254_504	PS_DDR_DQ255_504
		PS_DDR_DQ256_504	PS_DDR_DQ257_504
		PS_DDR_DQ258_504	PS_DDR_DQ259_504
		PS_DDR_DQ260_504	PS_DDR_DQ261_504
		PS_DDR_DQ262_504	PS_DDR_DQ263_504
		PS_DDR_DQ264_504	PS_DDR_DQ265_504
		PS_DDR_DQ266_504	PS_DDR_DQ267_504
		PS_DDR_DQ268_504	PS_DDR_DQ269_504
		PS_DDR_DQ270_504	PS_DDR_DQ271_504
		PS_DDR_DQ272_504	PS_DDR_DQ273_504
		PS_DDR_DQ274_504	PS_DDR_DQ275_504
		PS_DDR_DQ276_504	PS_DDR_DQ277_504
		PS_DDR_DQ278_504	PS_DDR_DQ279_504
		PS_DDR_DQ280_504	PS_DDR_DQ281_504
		PS_DDR_DQ282_504	PS_DDR_DQ283_504
		PS_DDR_DQ284_504	PS_DDR_DQ285_504
		PS_DDR_DQ286_504	PS_DDR_DQ287_504
		PS_DDR_DQ288_504	PS_DDR_DQ289_504
		PS_DDR_DQ290_504	PS_DDR_DQ291_504
		PS_DDR_DQ292_504	PS_DDR_DQ293_504
		PS_DDR_DQ294_504	PS_DDR_DQ295_504
		PS_DDR_DQ296_504	PS_DDR_DQ297_504
		PS_DDR_DQ298_504	PS_DDR_DQ299_504
		PS_DDR_DQ300_504	PS_DDR_DQ301_504
		PS_DDR_DQ302_504	PS_DDR_DQ303_504
		PS_DDR_DQ304_504	PS_DDR_DQ305_504
		PS_DDR_DQ306_504	PS_DDR_DQ307_504
		PS_DDR_DQ308_504	PS_DDR_DQ309_504
		PS_DDR_DQ310_504	PS_DDR_DQ311_504
		PS_DDR_DQ312_504	PS_DDR_DQ313_504
		PS_DDR_DQ314_504	PS_DDR_DQ315_504
		PS_DDR_DQ316_504	PS_DDR_DQ317_504
		PS_DDR_DQ318_504	PS_DDR_DQ319_504
		PS_DDR_DQ320_504	PS_DDR_DQ321_504
		PS_DDR_DQ322_504	PS_DDR_DQ323_504
		PS_DDR_DQ324_504	PS_DDR_DQ325_504
		PS_DDR_DQ326_504	PS_DDR_DQ327_504
		PS_DDR_DQ328_504	PS_DDR_DQ329_504
		PS_DDR_DQ330_504	PS_DDR_DQ331_504
		PS_DDR_DQ332_504	PS_DDR_DQ333_504
		PS_DDR_DQ334_504	PS_DDR_DQ335_504
		PS_DDR_DQ336_504	PS_DDR_DQ337_504
		PS_DDR_DQ338_504	PS_DDR_DQ339_504
		PS_DDR_DQ340_504	PS_DDR_DQ341_504
		PS_DDR_DQ342_504	PS_DDR_DQ343_504
		PS_DDR_DQ344_504	PS_DDR_DQ345_504
		PS_DDR_DQ346_504	PS_DDR_DQ347_504
		PS_DDR_DQ348_504	PS_DDR_DQ349_504
		PS_DDR_DQ350_504	PS_DDR_DQ351_504
		PS_DDR_DQ352_504	PS_DDR_DQ353_504
		PS_DDR_DQ354_504	PS_DDR_DQ355_504
		PS_DDR_DQ356_504	PS_DDR_DQ357_504
		PS_DDR_DQ358_504	PS_DDR_DQ359_504
		PS_DDR_DQ360_504	PS_DDR_DQ361_504
		PS_DDR_DQ362_504	PS_DDR_DQ363_504
		PS_DDR_DQ364_504	PS_DDR_DQ365_504
		PS_DDR_DQ366_504	PS_DDR_DQ367_504
		PS_DDR_DQ368_504	PS_DDR_DQ369_504
		PS_DDR_DQ370_504	PS_DDR_DQ371_504
		PS_DDR_DQ372_504	PS_DDR_DQ373_504
		PS_DDR_DQ374_504	PS_DDR_DQ375_504
		PS_DDR_DQ376_504	PS_DDR_DQ377_504
		PS_DDR_DQ378_504	PS_DDR_DQ379_504
		PS_DDR_DQ380_504	PS_DDR_DQ381_504
		PS_DDR_DQ382_504	PS_DDR_DQ383_504
		PS_DDR_DQ384_504	PS_DDR_DQ385_504
		PS_DDR_DQ386_504	PS_DDR_DQ387_504
		PS_DDR_DQ388_504	PS_DDR_DQ389_504
		PS_DDR_DQ390_504	PS_DDR_DQ391_504
		PS_DDR_DQ392_504	PS_DDR_DQ393_504
		PS_DDR_DQ394_504	PS_DDR_DQ395_504
		PS_DDR_DQ396_504	PS_DDR_DQ397_504
		PS_DDR_DQ398_504	PS_DDR_DQ399_504
		PS_DDR_DQ400_504	PS_DDR_DQ401_504
		PS_DDR_DQ402_504	PS_DDR_DQ403_504
		PS_DDR_DQ404_504	PS_DDR_DQ405_504
		PS_DDR_DQ406_504	PS_DDR_DQ407_504
		PS_DDR_DQ408_504	PS_DDR_DQ409_504
		PS_DDR_DQ410_504	PS_DDR_DQ411_504
		PS_DDR_DQ412_504	PS_DDR_DQ413_504
		PS_DDR_DQ414_504	PS_DDR_DQ415_504
		PS_DDR_DQ416_504	PS_DDR_DQ417_504
		PS_DDR_DQ418_504	PS_DDR_DQ419_504
		PS_DDR_DQ420_504	PS_DDR_DQ421_504
		PS_DDR_DQ422_504	PS_DDR_DQ423_504
		PS_DDR_DQ424_504</	




Title: TE0807 - PS_GT		
A4	Number: TE0807 7A181-A	Rev. 03
Date: 2020-05-08	Copyright: Trenz Electronic GmbH / TT	Page 16 of 29
Filename: B_PS_GT.SchDoc		

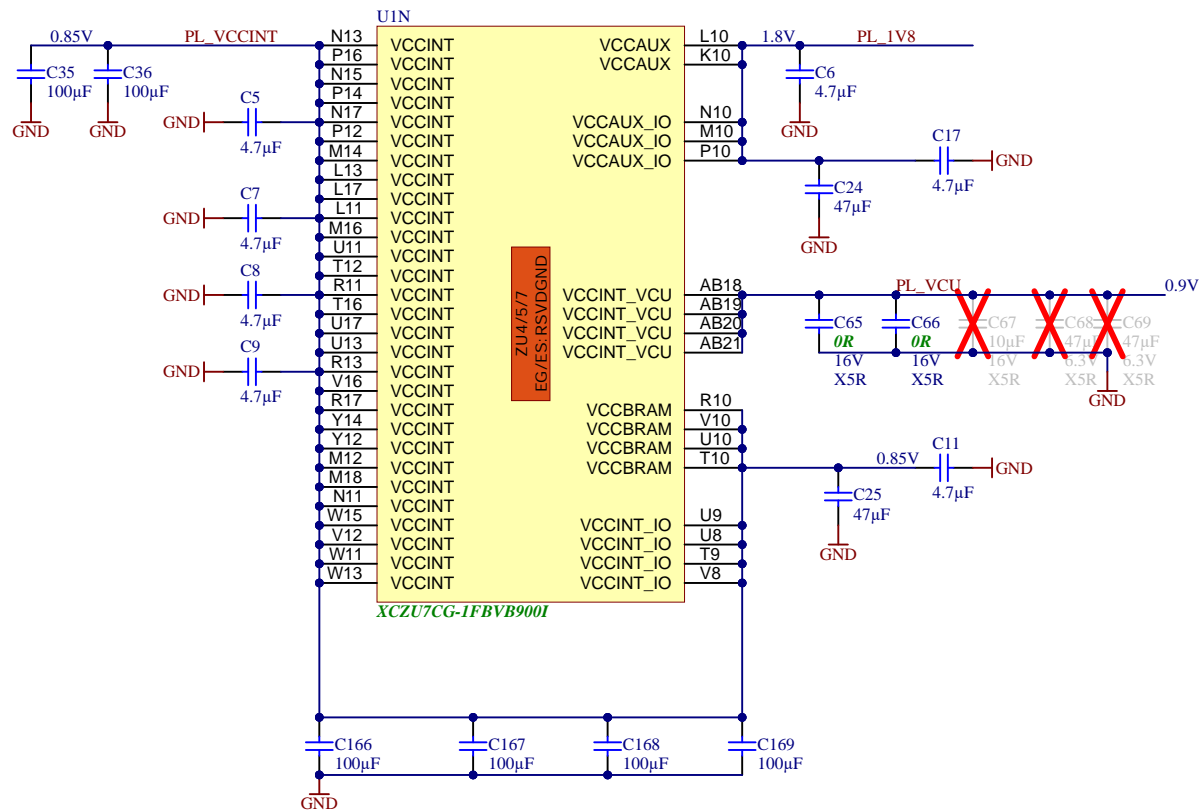
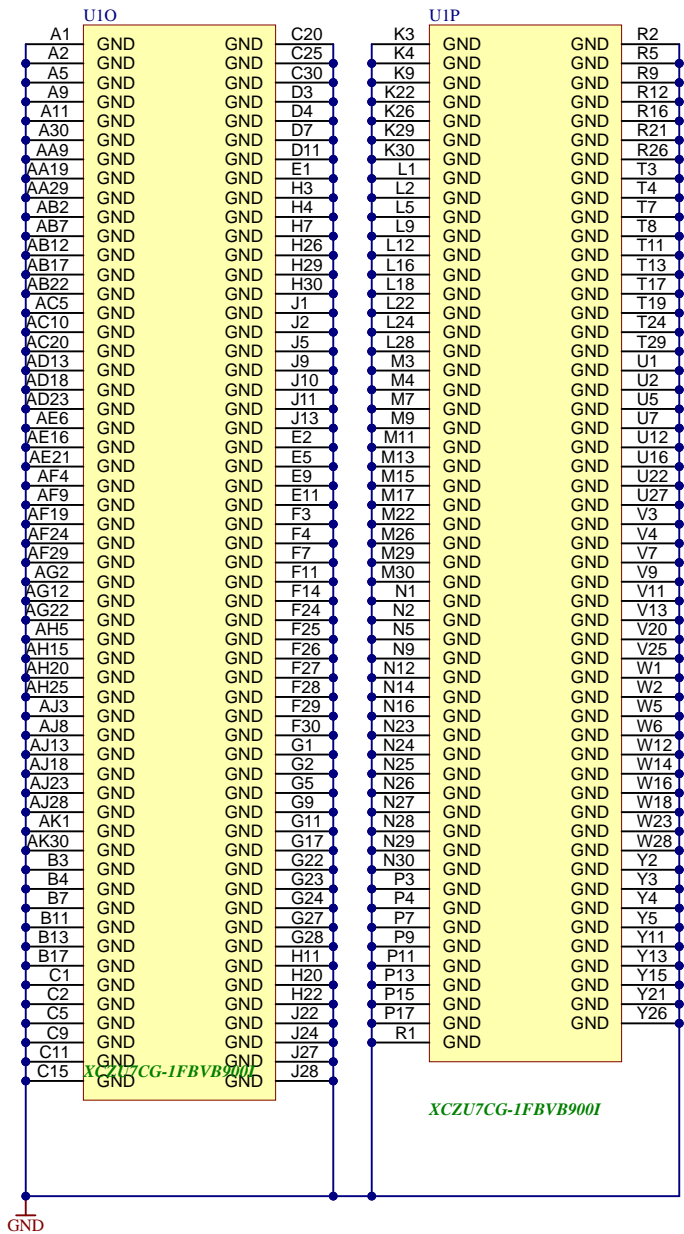


U1M

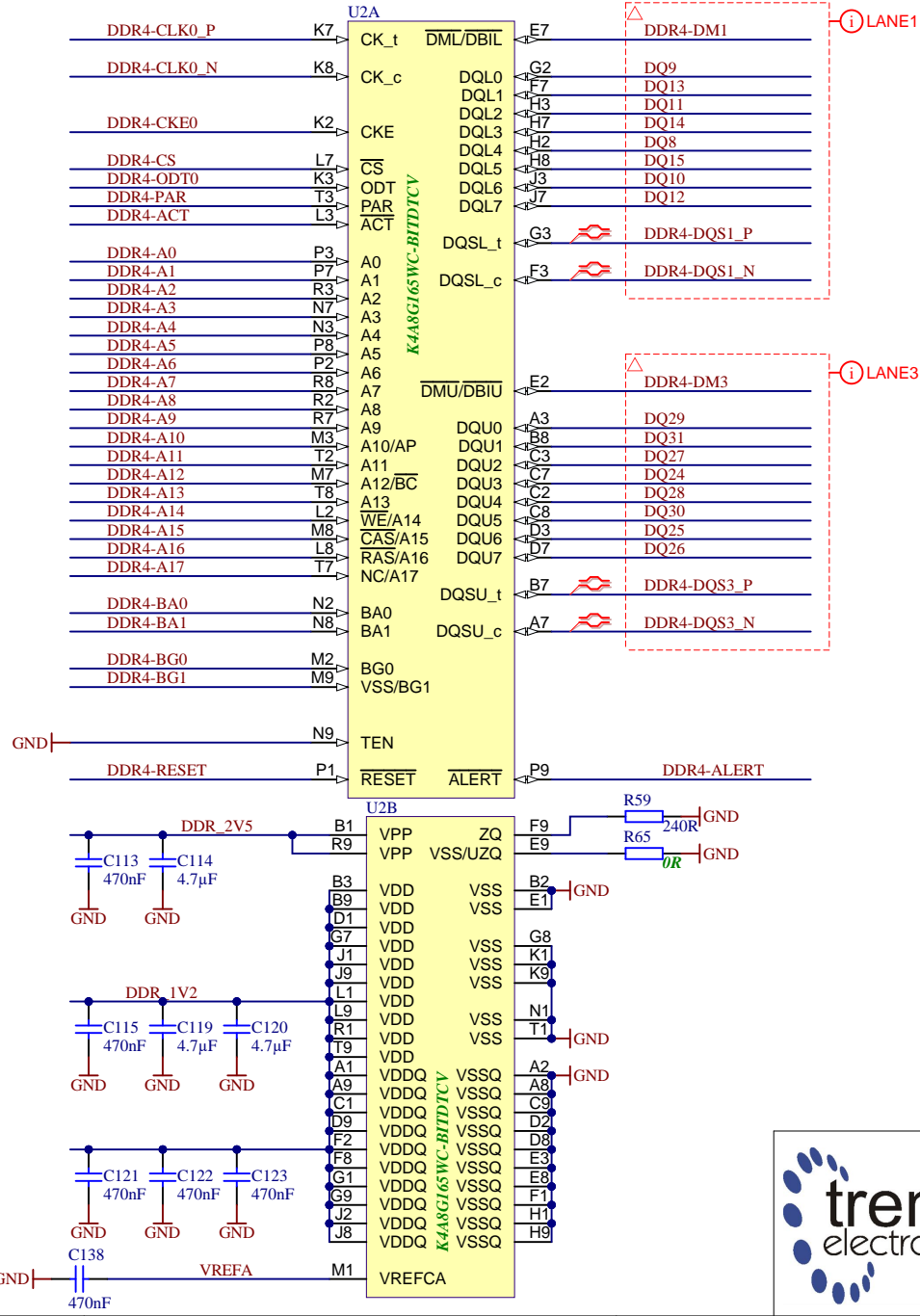
VCC_PSINTFP	VCC_PSPLL
VCC_PSINTFP	VCC_PSPLL
VCC_PSINTFP	VCC_PSPLL
VCC_PSINTFP	VCC_PSPLL
VCC_PSINTFP	VCC_PSAUX
VCC_PSINTFP	VCC_PSAUX
VCC_PSINTFP	VCC_PSAUX
VCC_PSINTFP	VCC_PSAUX
VCC_PSINTLP	VCC_PSPLL
VCC_PSINTLP	VCC_PSPLL
VCC_PSINTLP	VCC_PSAUX
VCC_PSINTLP	VCC_PSAUX
VCC_PSINTLP	VCC_PSAUX
VCC_PSINTLP	VCC_PSAUX
VCC_PSINTLP	VCC_PSAUX
PS_MGTRAVCC	
PS_MGTRAVCC	
PS_MGTRAVTT	
PS_MGTRAVTT	
PS_MGTRAVTT	

XCZU7CG-1FBVB900I

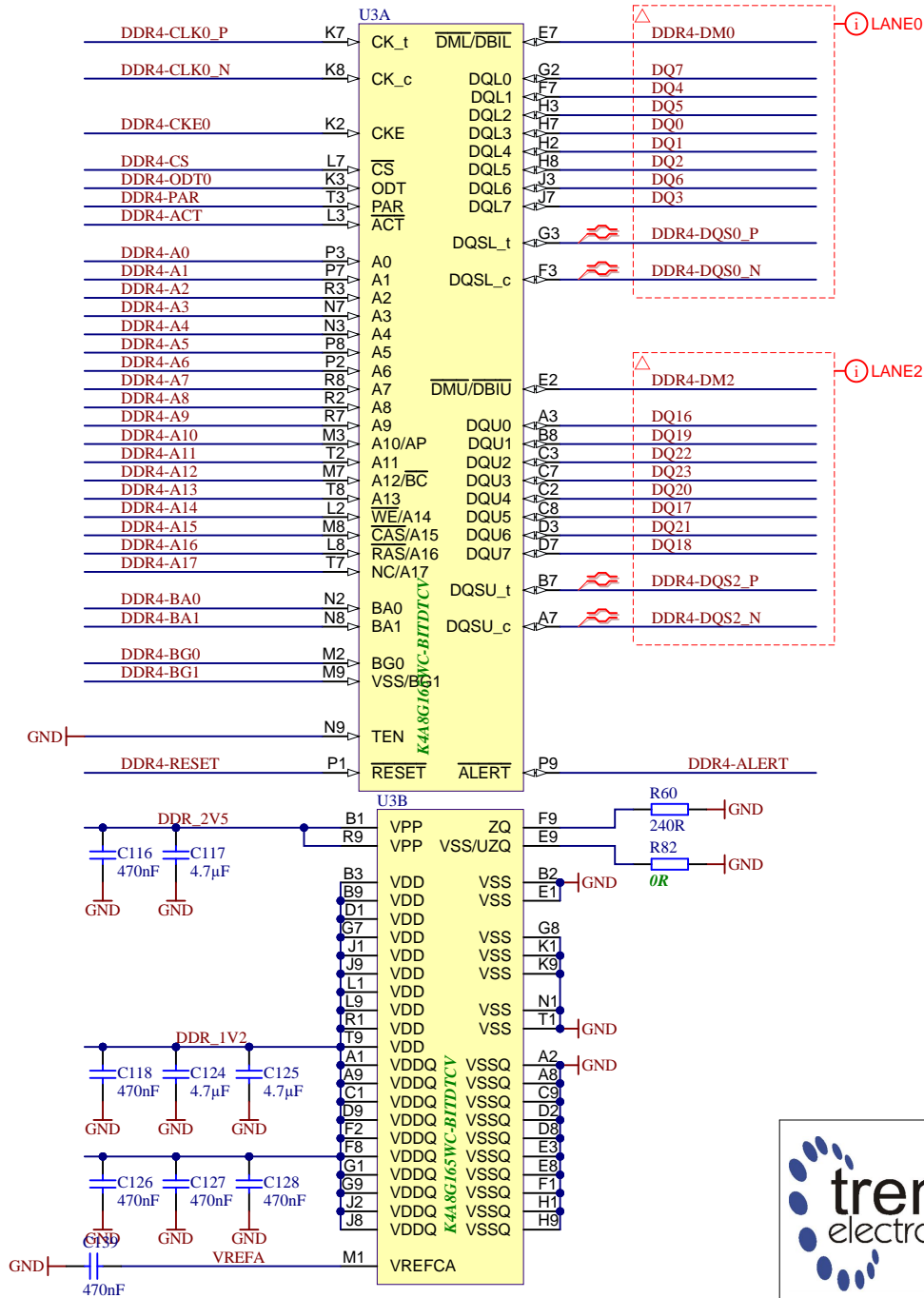

	Title: TE0807 - ZU_PS_POWER		
	A4	Number: TE0807 7A181-A	Rev. 03
	Date: 2020-05-08	Copyright: Trenz Electronic GmbH / TT	Page 17 of 29
	Filename: ZU_PS_POWER.SchDoc		



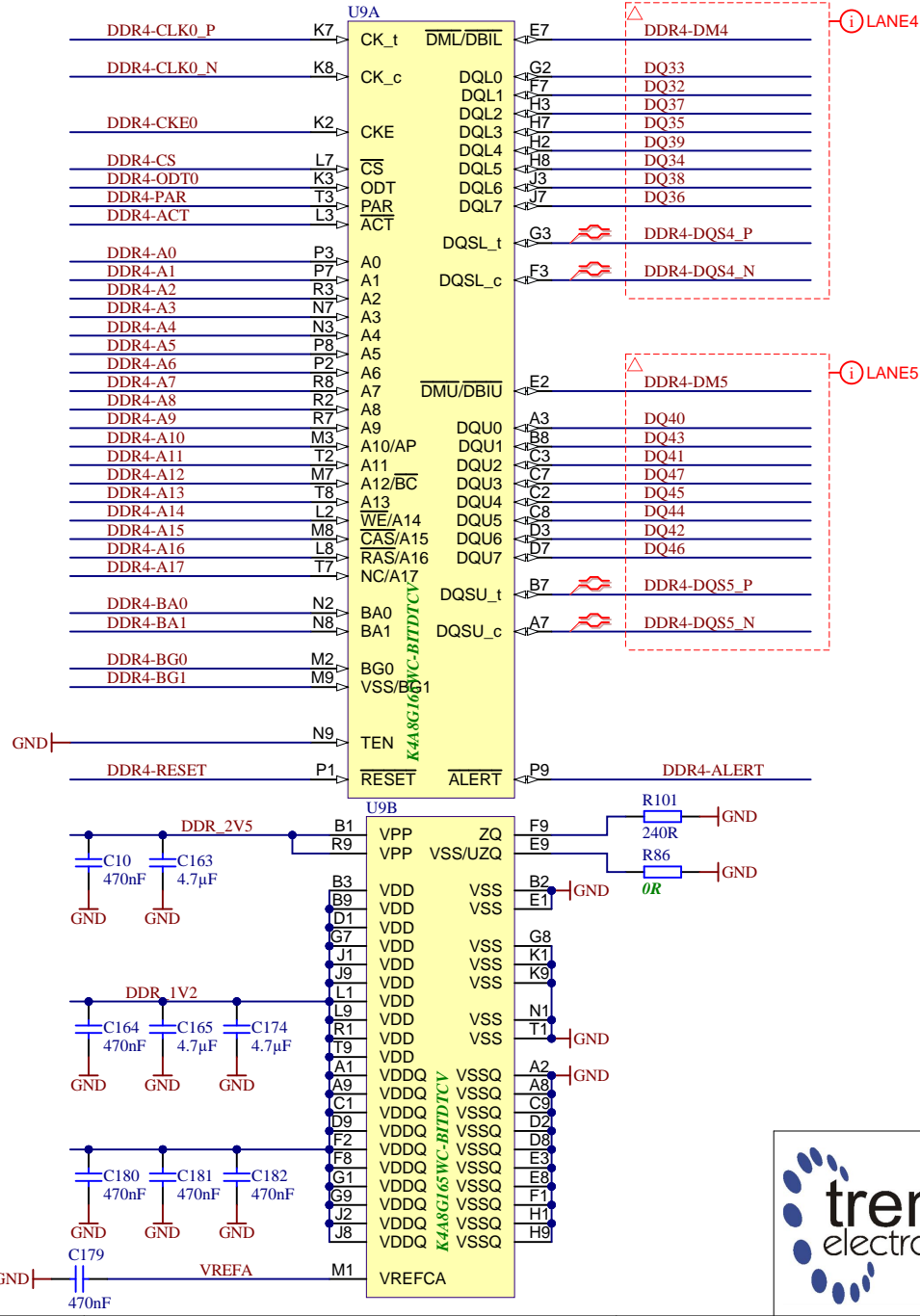
Title: TE0807 - ZU_POWER		
A4	Number: TE0807 7A181-A	Rev. 03
Date: 2020-05-08	Copyright: Trenz Electronic GmbH / TT	Page 18 of 29
Filename: ZU_POWER.SchDoc		



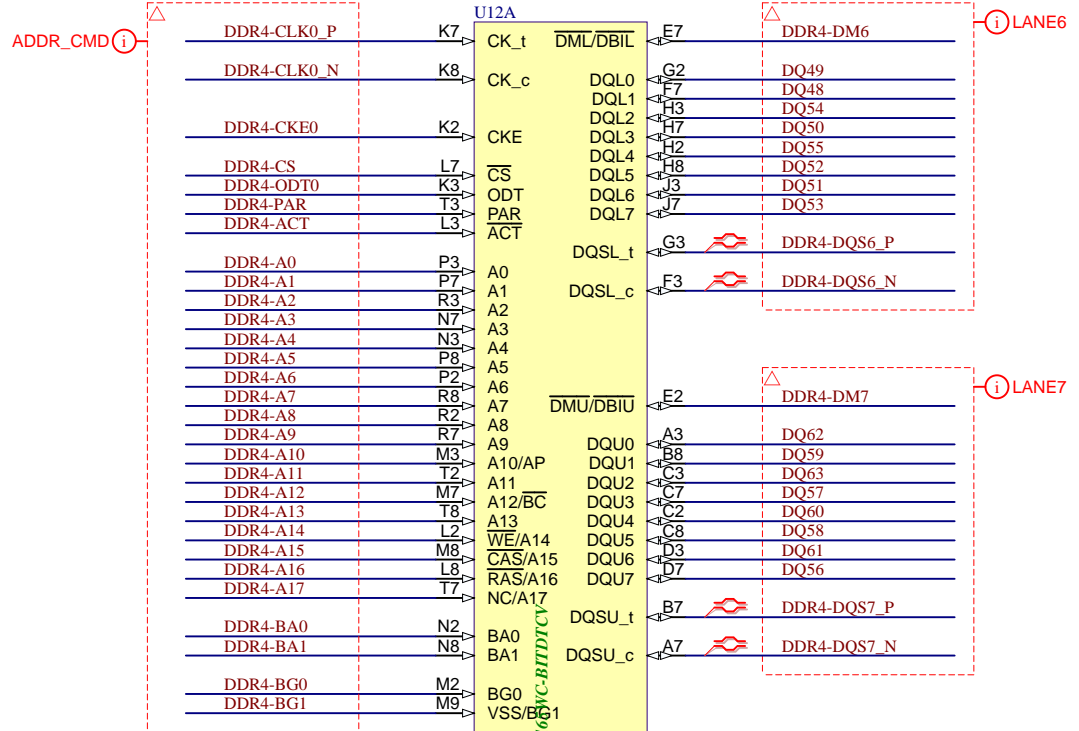
Title: TE0807 - DDR4_1_RAM		
A4	Number: TE0807 7A181-A	Rev. 03
Date: 2020-05-08	Copyright: Trenz Electronic GmbH / TT	Page 19 of 29
Filename: DDR4-RAM.SchDoc		

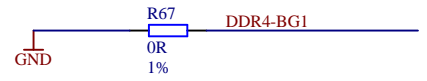
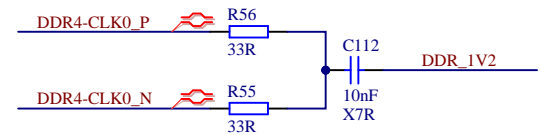
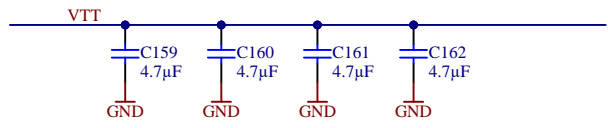
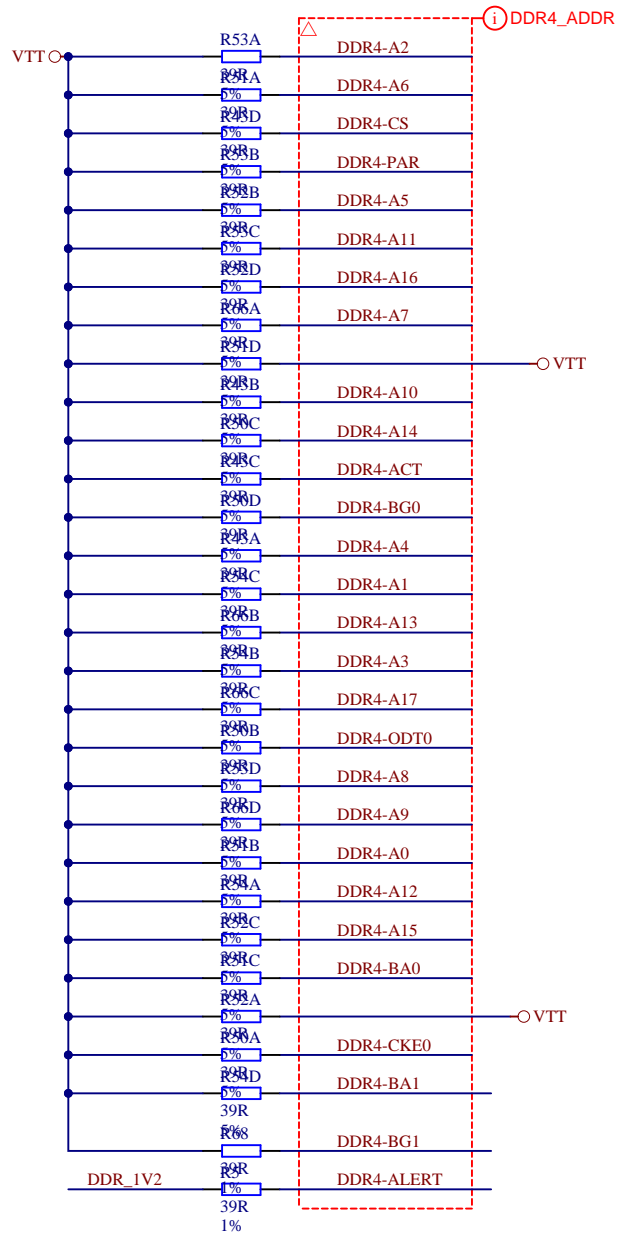
Title: TE0807 - DDR4_2_RAM		
A4	Number: TE0807 7AI81-A	Rev. 03
Date: 2020-05-08	Copyright: Trenz Electronic GmbH / TT	Page20 of 29
Filename: DDR4-RAM_2.SchDoc		



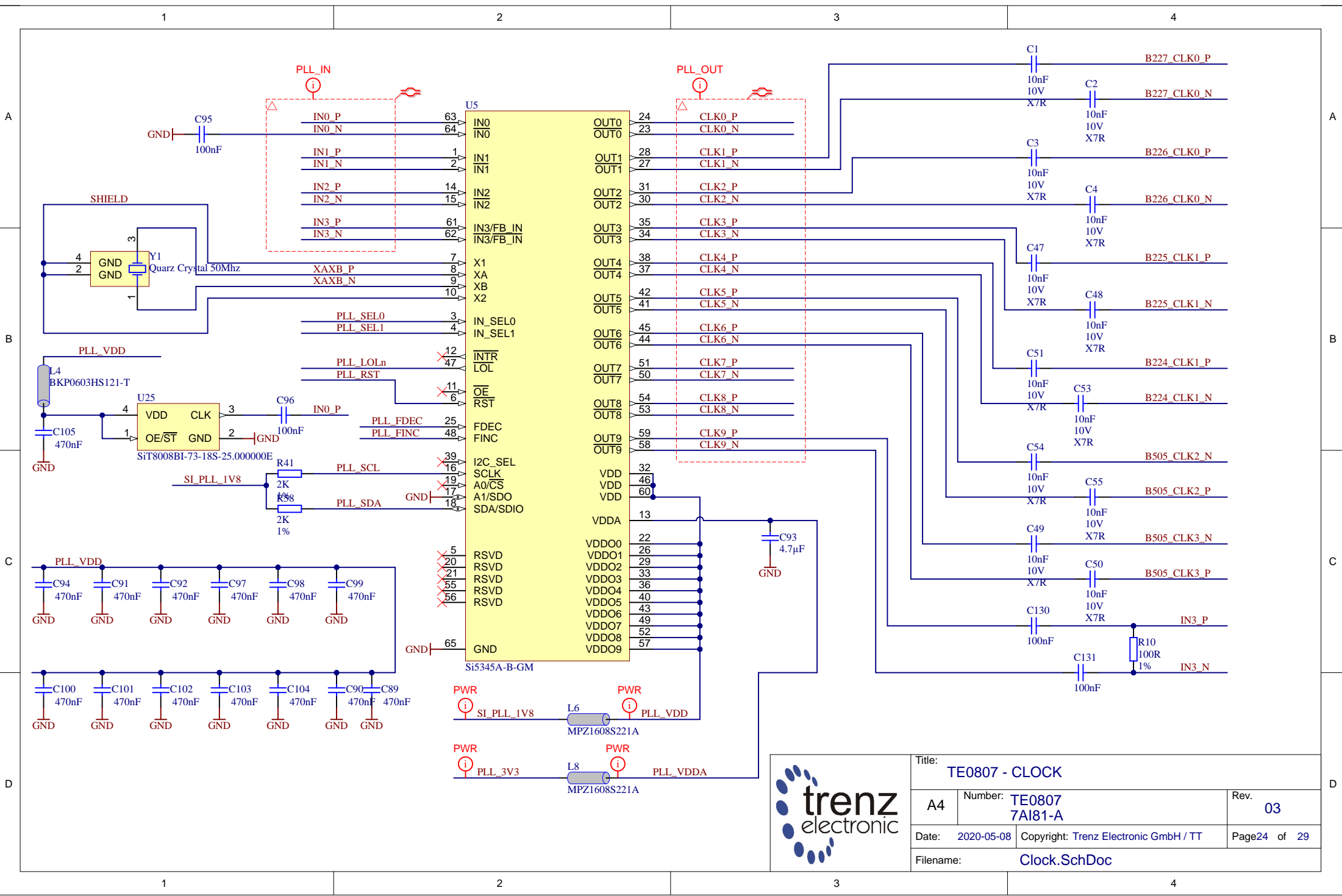
Title: TE0807 - DDR4_3_RAM		
A4	Number: TE0807 7A181-A	Rev. 03
Date: 2020-05-08	Copyright: Trenz Electronic GmbH / TT	Page 21 of 29
Filename: DDR4-RAM_3.SchDoc		



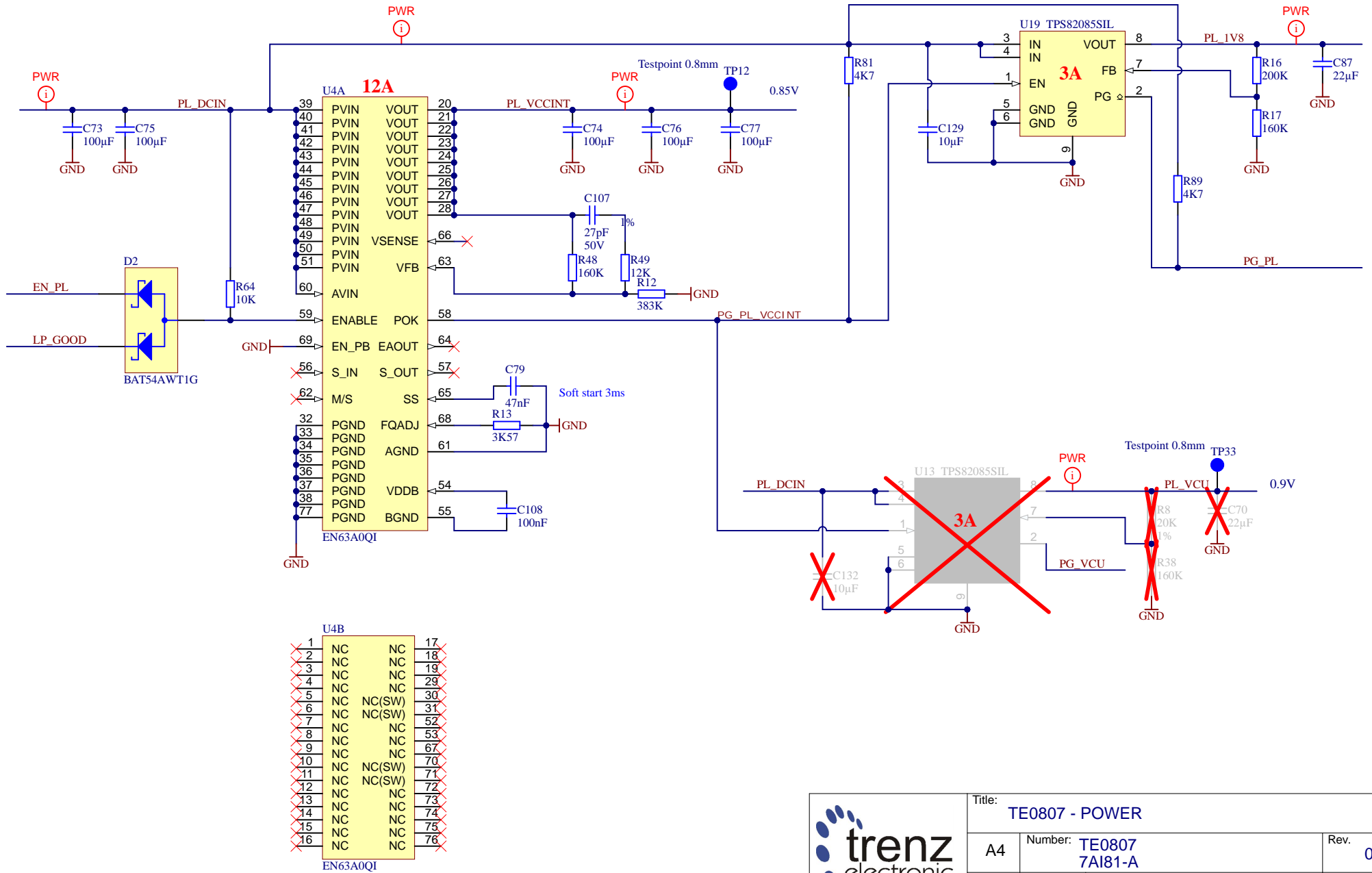
Title: TE0807 - DDR4_4_RAM		
A4	Number: TE0807 7A181-A	Rev. 03
Date: 2020-05-08	Copyright: Trenz Electronic GmbH / TT	Page 22 of 29
Filename: DDR4-RAM_4.SchDoc		



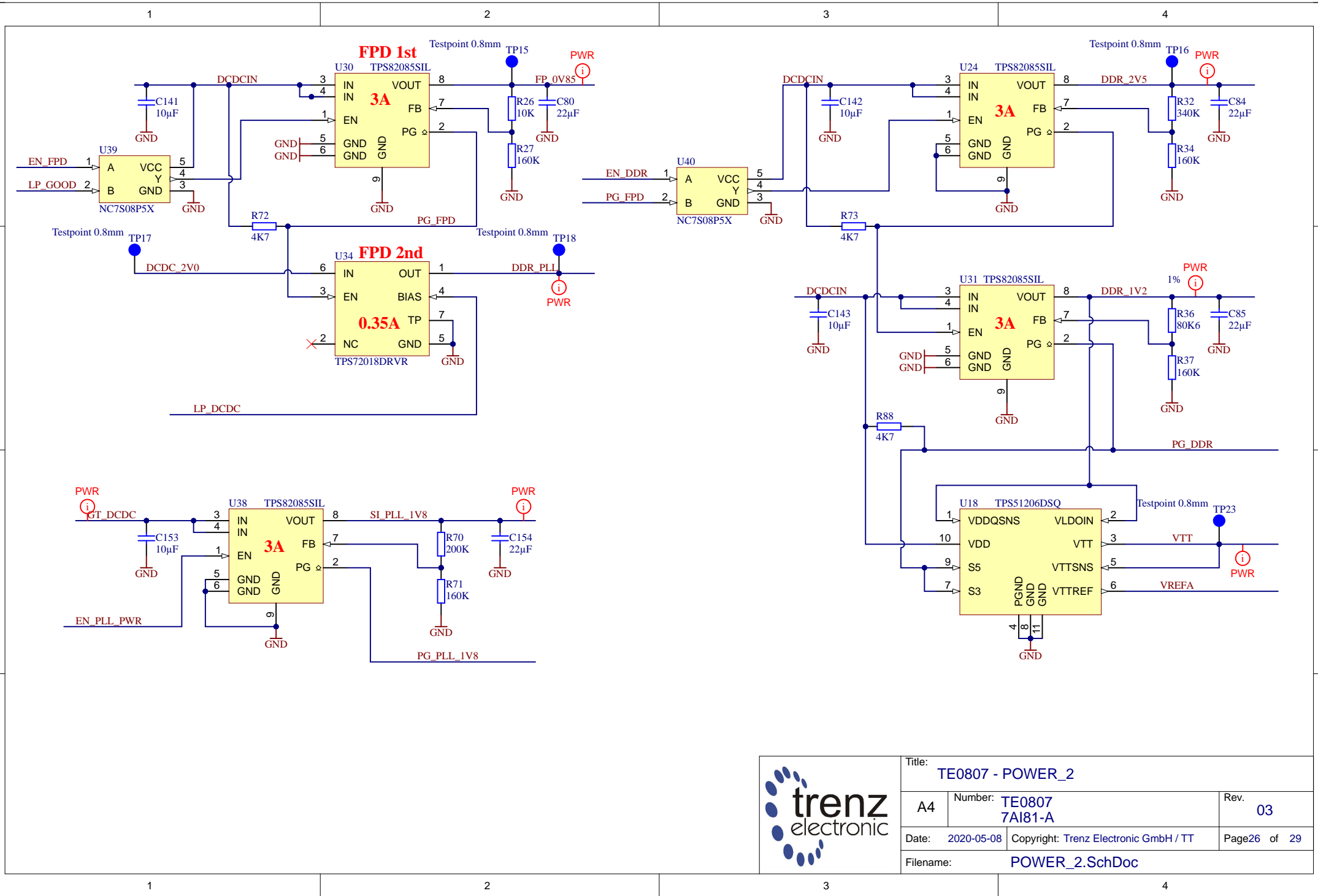
Title: TE0807 - DDR4_TERM		
A4	Number: TE0807 7AI81-A	Rev. 03
Date: 2020-05-08	Copyright: Trenz Electronic GmbH / TT	Page23 of 29
Filename: DDR4-TERM.SchDoc		




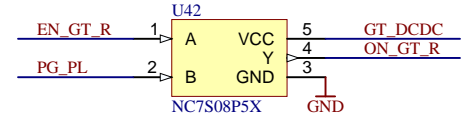
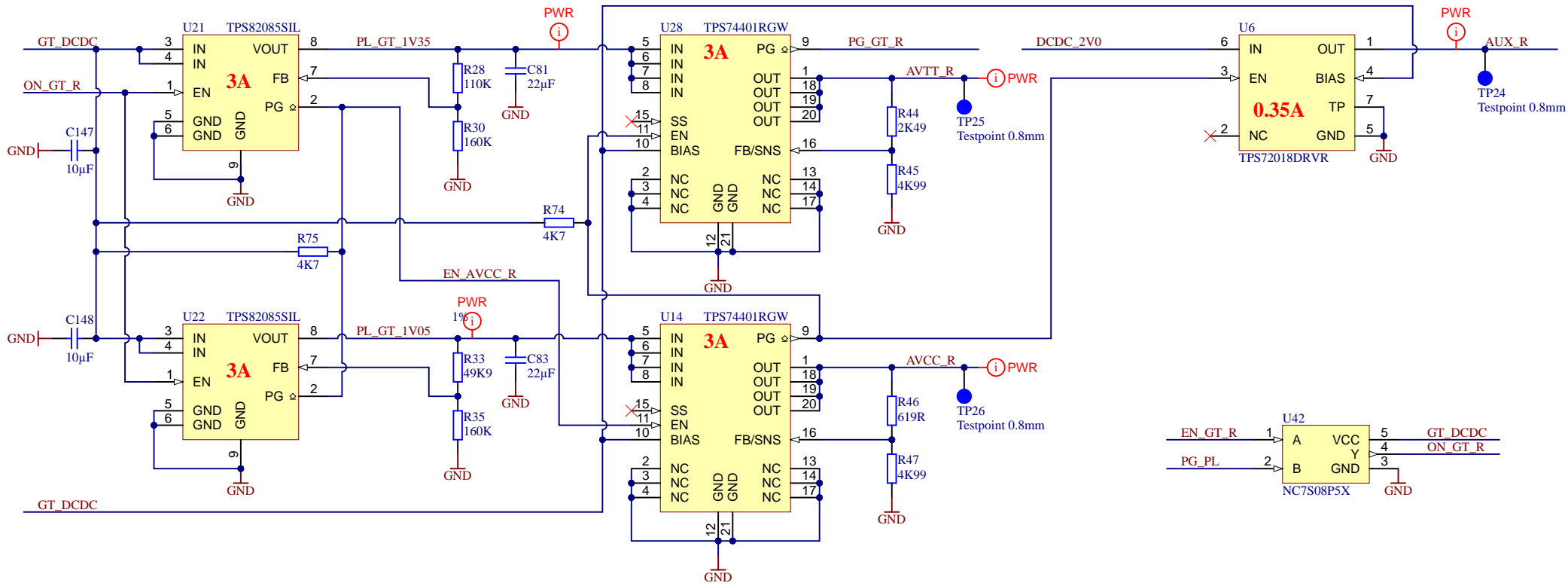
Title: TE0807 - CLOCK		
A4	Number: TE0807 7A181-A	Rev. 03
Date: 2020-05-08	Copyright: Trenz Electronic GmbH / TT	Page24 of 29
Filename: Clock.SchDoc		




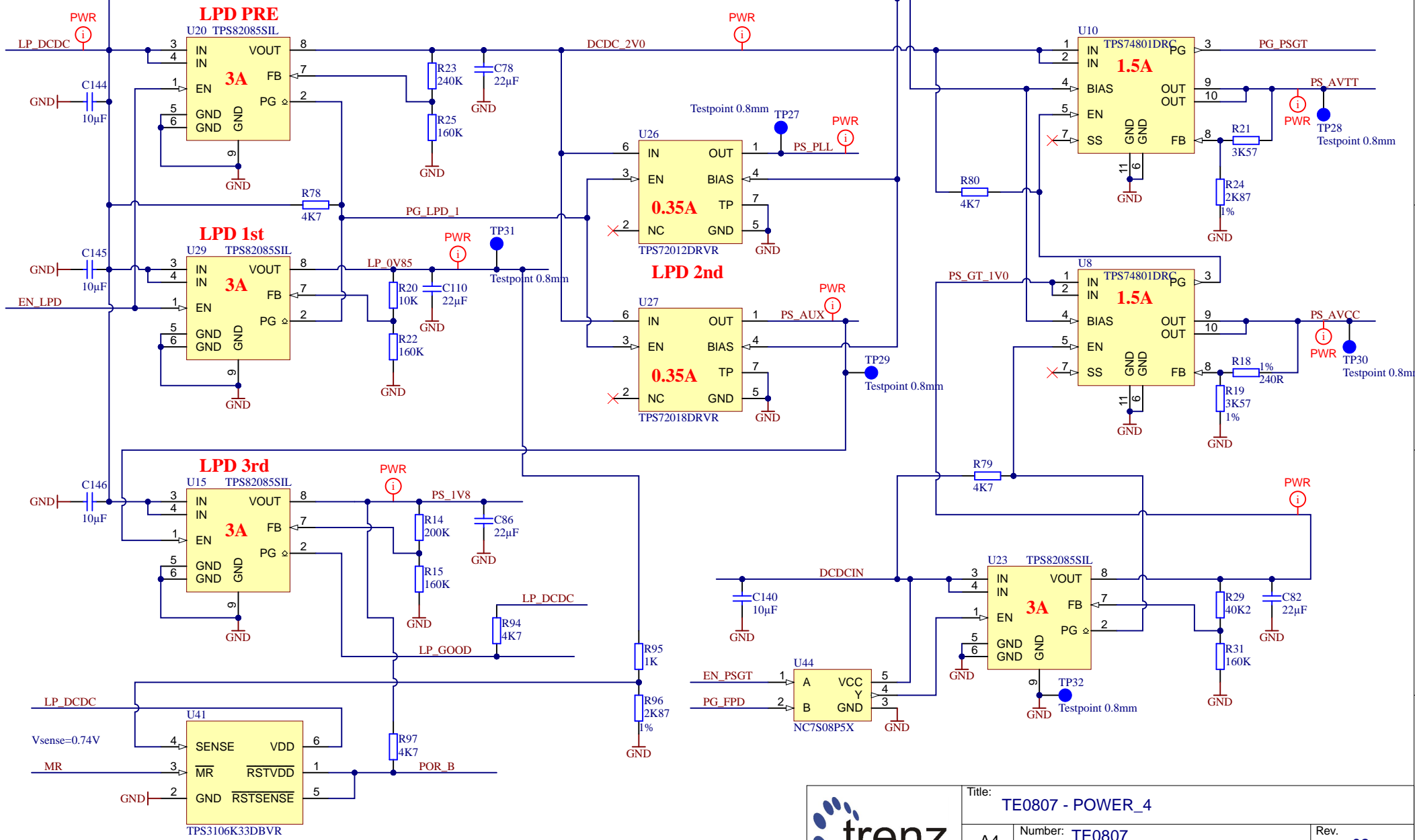
	Title: TE0807 - POWER	
	A4	Number: TE0807 7A181-A
	Date: 2020-05-08	Copyright: Trenz Electronic GmbH / TT
	Rev. 03	Page 25 of 29
Filename: POWER.SchDoc		



		Title: TE0807 - POWER_2	
		A4	Number: TE0807 7AI81-A
Date: 2020-05-08		Copyright: Trenz Electronic GmbH / TT	
Page 26 of 29		Page 26 of 29	
Filename: POWER_2.SchDoc			



		Title: TE0807 - POWER_3	
		A4	Number: TE0807 7A181-A
Date: 2020-05-08		Copyright: Trenz Electronic GmbH / TT	
Filename: POWER_3.SchDoc		Page 27 of 29	



Title: TE0807 - POWER_4		
A4	Number: TE0807 7A181-A	Rev. 03
Date: 2020-05-08	Copyright: Trenz Electronic GmbH / TT	Page 28 of 29
Filename: POWER_4.SchDoc		

1

2

3

4

1

2

3


4

CHANGES REV01 to REV02

- 1) Added EEPROM (U11,24AA025E48T-I/OT)
- 2) Added optional resistors R39/R40 for QSPI flash (do not populated)
- 3) Fixed VCU connection (added additional DCDC and capacitors), recommendation from Xilinx
- 4) Changed obsolete DDR4 chips (NT5AD256M16B2-GN -> K4A8G165WB-BIRC)
- 5) Added net "PG_VCU" to J2 (pin97)
- 6) full update lib

CHANGES REV02 to REV03 (06.2020)

- VT: 1) Fixed ADC connection
- 2) Fixed DDR4 connection (support B-die DDR4 chips)
- 3) Fixed DDR4 connection (alert_n pin connection)
- 4) Added U16
- 4) Added testpoints
- 5) Full update LIB

	Title: TE0807 - Changes list		
	A4	Number: TE0807 7A181-A	Rev. 03
	Date: 2020-05-08	Copyright: Trenz Electronic GmbH	Page 29 of 29
	Filename: Revision_Changes.SchDoc		