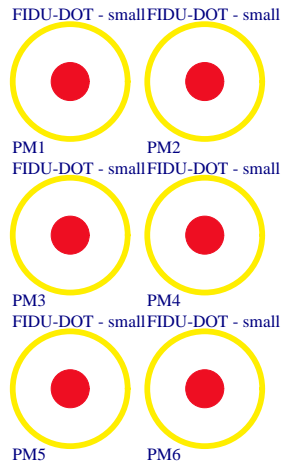
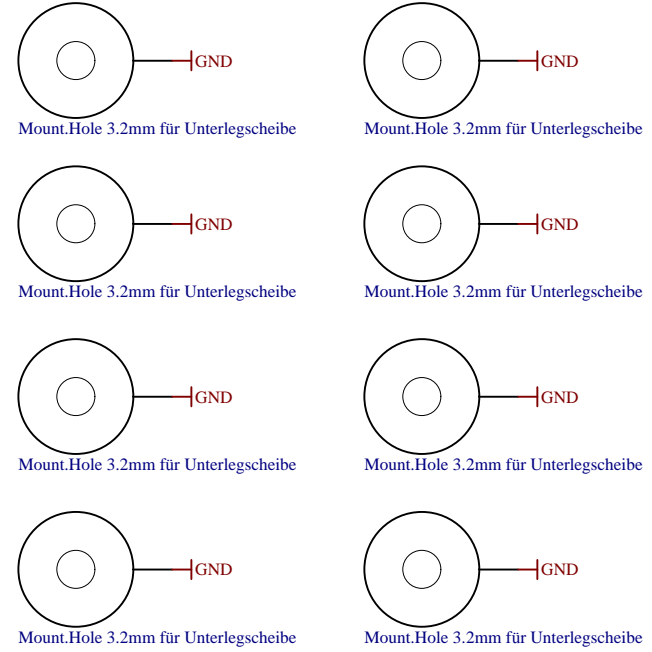



U_J1 J1.SchDoc	U_B_PS_GT B_PS_GT.SchDoc	U_DDR4-TERM DDR4-TERM.SchDoc
U_J2 J2.SchDoc	U_PS_DDR PS_DDR.SchDoc	U_ZU_POWER ZU_POWER.SchDoc
U_J3 J3.SchDoc	U_B_MIO B_MIO.SchDoc	U_ZU_PS_POWER ZU_PS_POWER.SchDoc
U_J4 J4.SchDoc	U_B_HD B_HD.SchDoc	U_POWER POWER.SchDoc
U_DDR4-TERM DDR4-TERM.SchDoc	U_Clock Clock.SchDoc	U_POWER_2 POWER_2.SchDoc
U_B64 B64.SchDoc	U_CONFIG CONFIG.SchDoc	U_POWER_3 POWER_3.SchDoc
U_B65 B65.SchDoc	U_DDR4-RAM DDR4-RAM.SchDoc	U_POWER_4 POWER_4.SchDoc
U_B66 B66.SchDoc	U_DDR4-RAM_2 DDR4-RAM_2.SchDoc	
U_B_GT B_GT.SchDoc	U_DDR4-RAM_3 DDR4-RAM_3.SchDoc	
U_B_GT_2 B_GT_2.SchDoc	U_DDR4-RAM_4 DDR4-RAM_4.SchDoc	

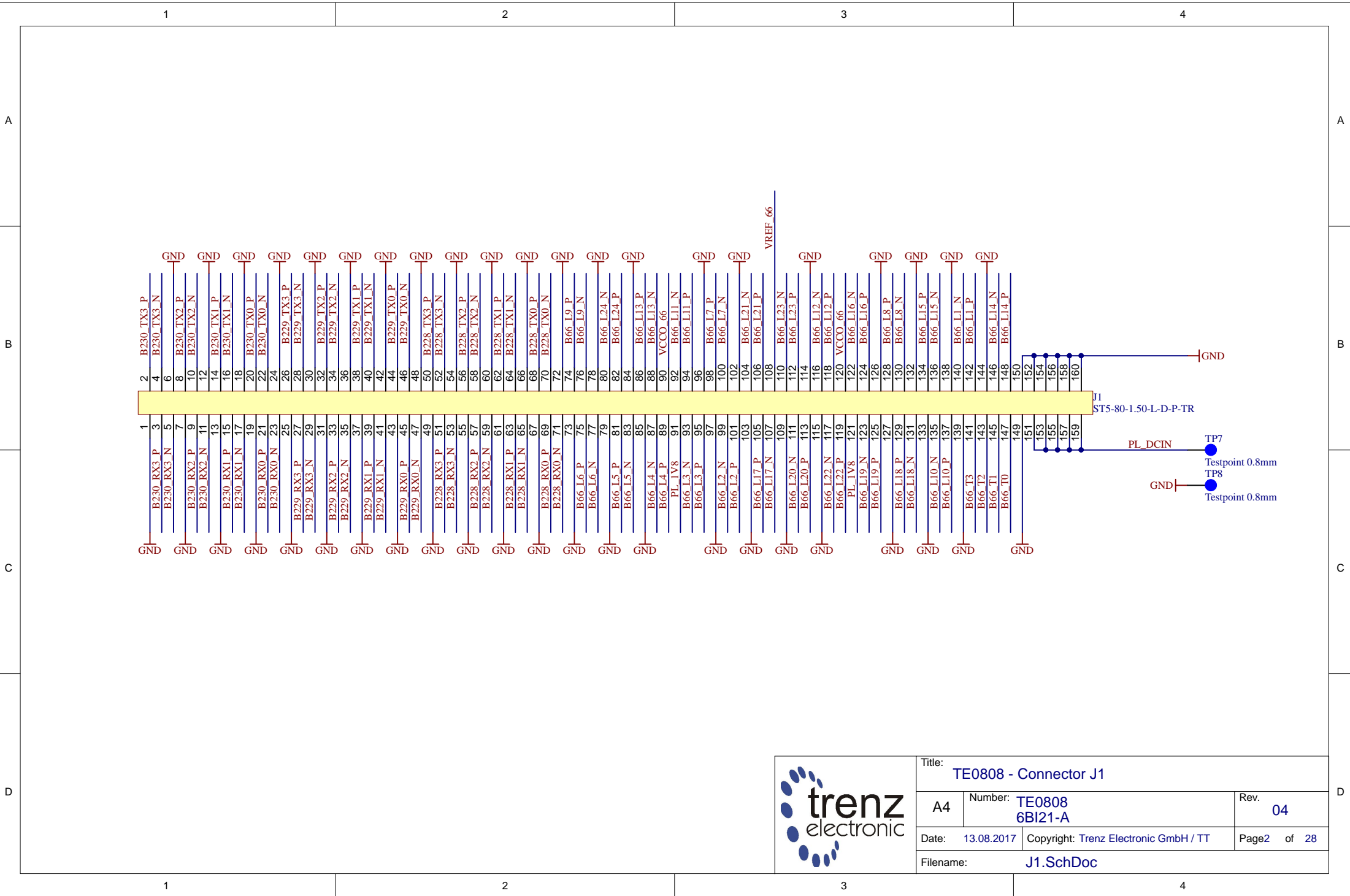


LOGO1
TE Logo PRINT Layer
LOGO PRINT

Serial
Serialnumber 6,3 x 6.3mm

Assembly variant	6BI21-A
Created by	VY
Modified by	VY
Modified at	2019-06-06
SVN Revision	8500

	Title: TE0808		
	A4	Number: TE0808 6BI21-A	Rev. 04
	Date: 13.08.2017	Copyright: Trenz Electronic GmbH / TT	Page 1 of 28
	Filename: TE0808.SchDoc		



Title: TE0808 - Connector J1			
A4	Number: TE0808 6BI21-A	Rev. 04	
Date: 13.08.2017	Copyright: Trenz Electronic GmbH / TT		Page2 of 28
Filename: J1.SchDoc			

1

2

3

4

A

A

B

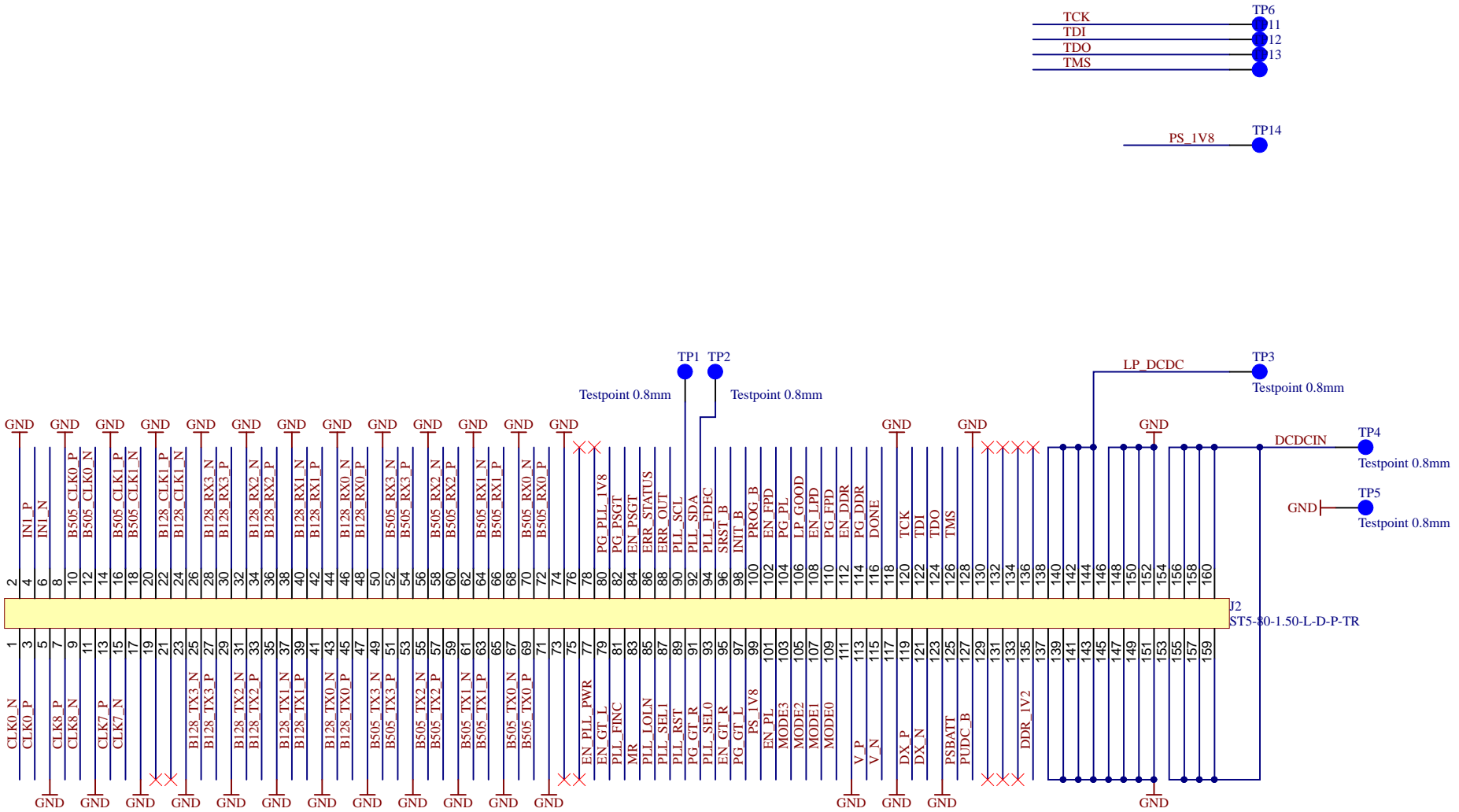
B


C

C

D

D



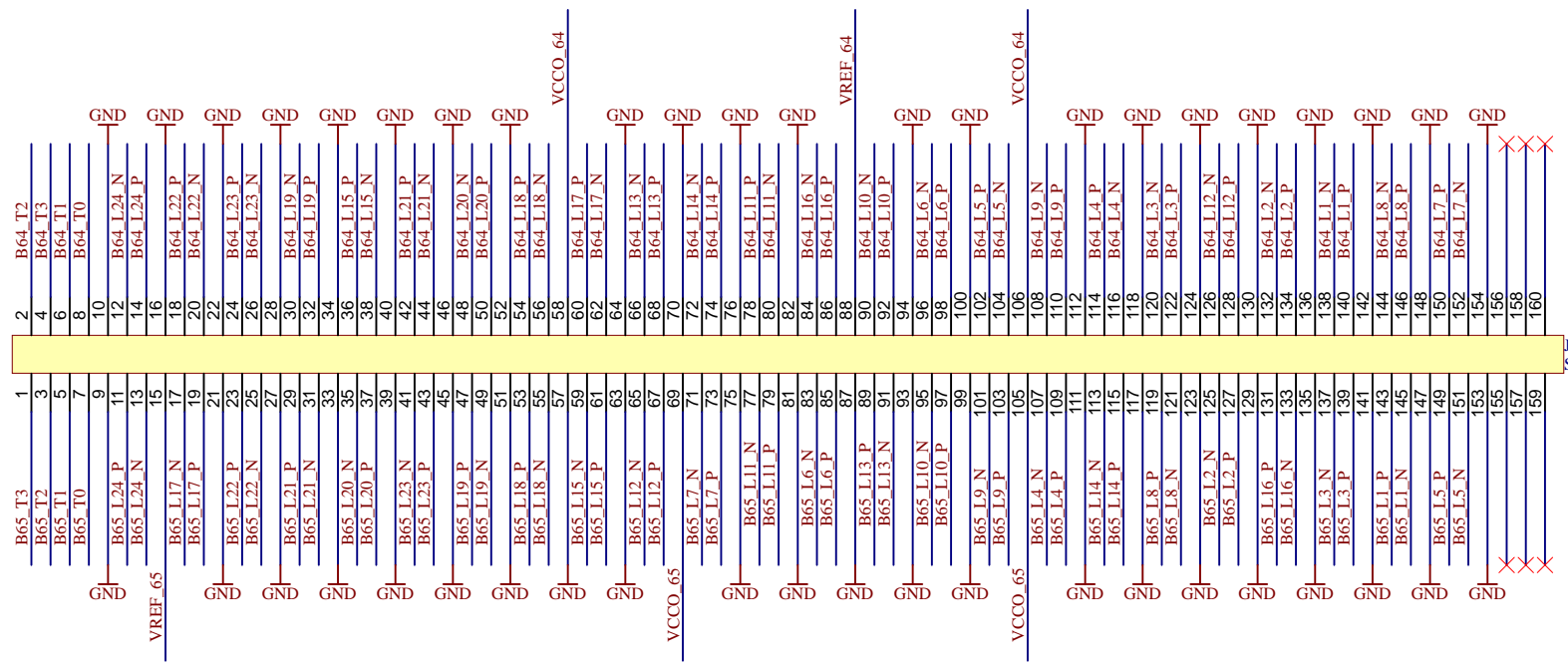
			Title: TE0808 - Connector J2	
			A4	Number: TE0808 6BI21-A
Date: 13.08.2017		Copyright: Trenz Electronic GmbH / TT		Page3 of 28
Filename: J2.SchDoc				

1

2

3

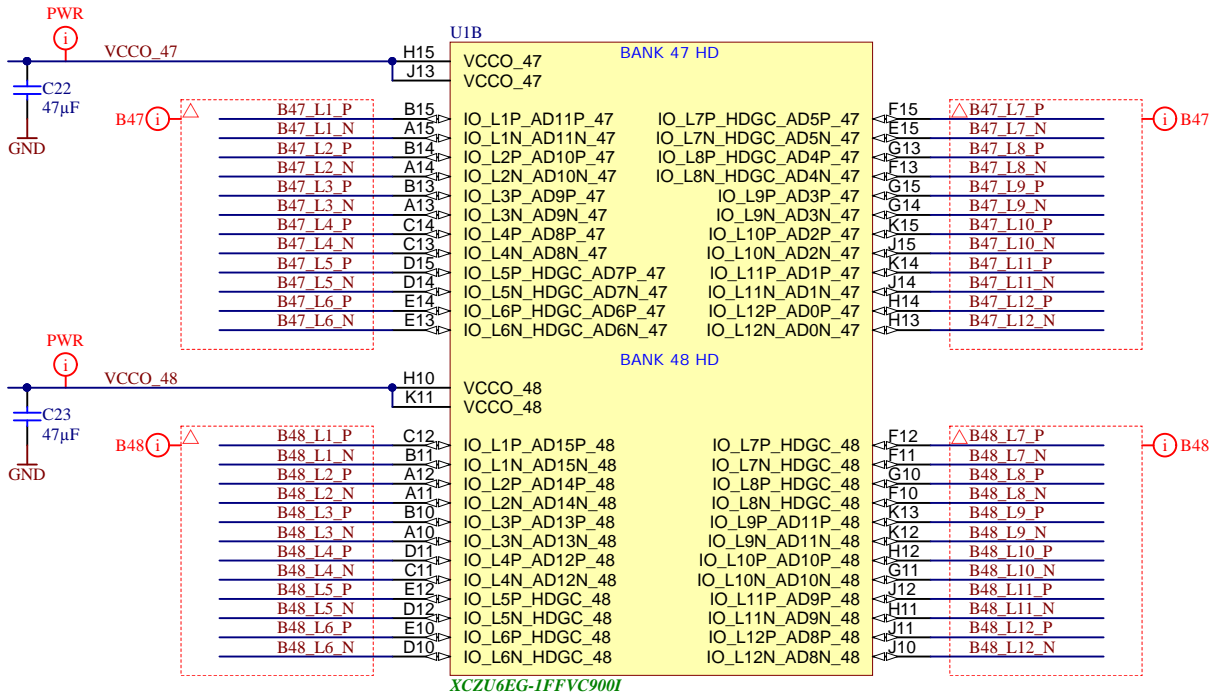
4



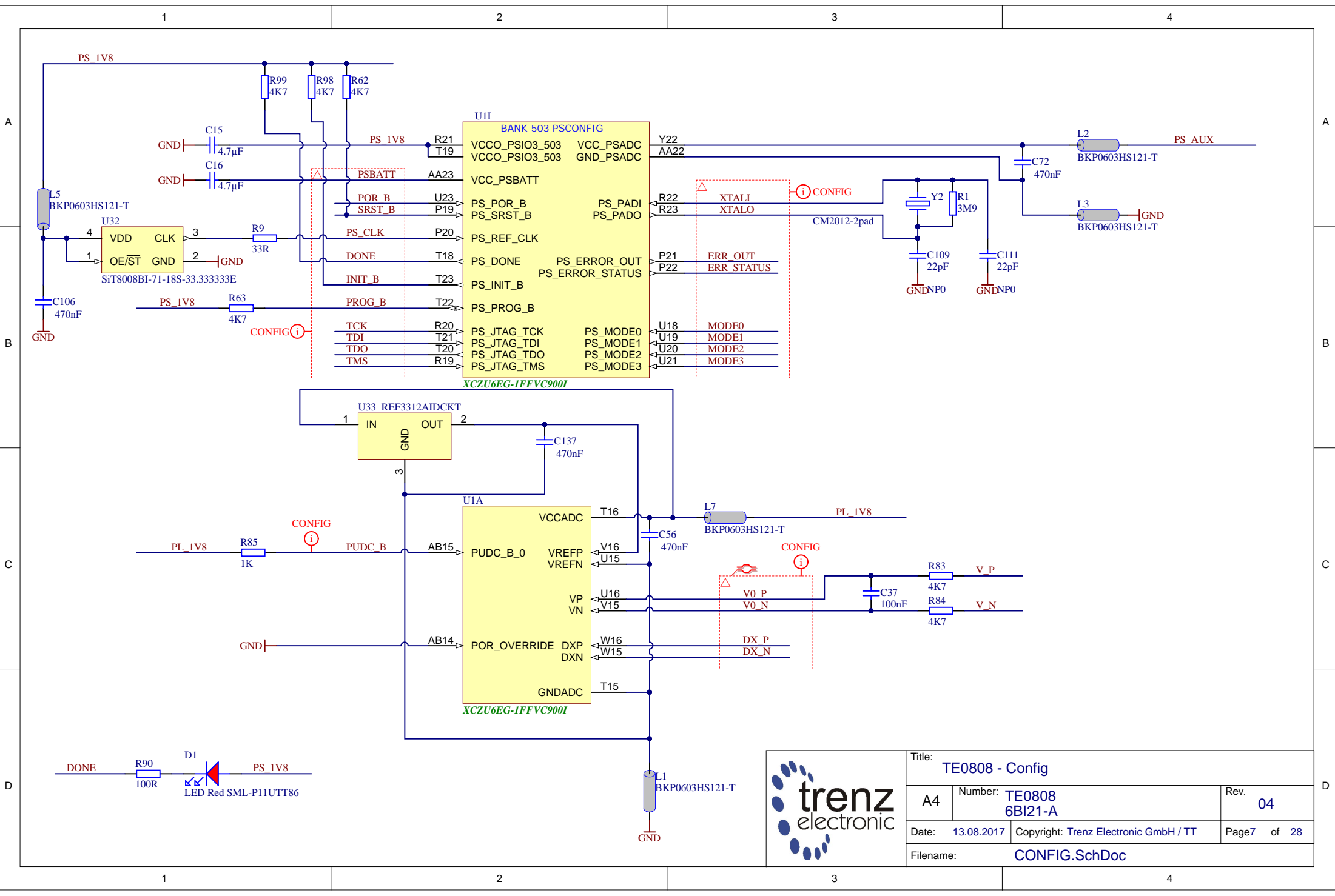
J4
ST5-80-1.50-L-D-P-TR



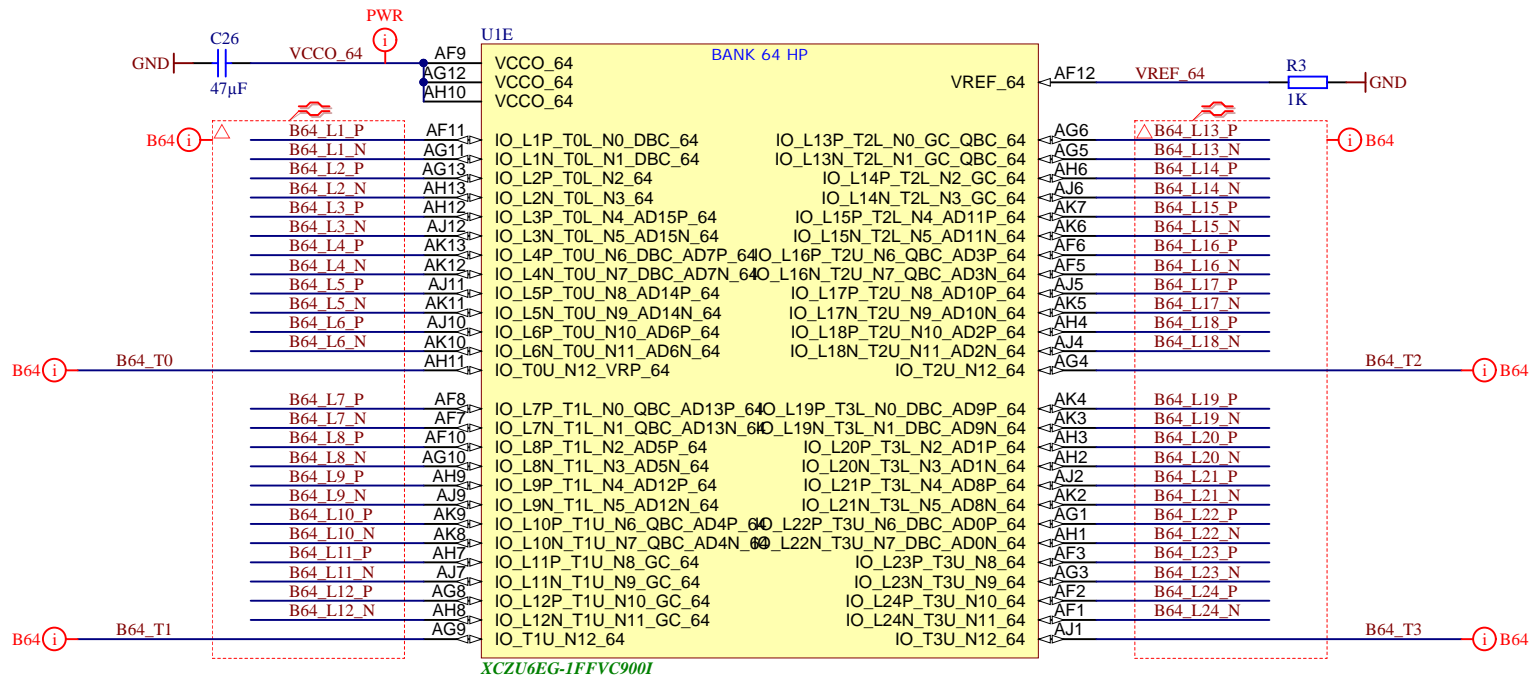
Title: TE0808 - Connector J4		
A4	Number: TE0808 6BI21-A	Rev. 04
Date: 13.08.2017	Copyright: Trenz Electronic GmbH / TT	Page5 of 28
Filename: J4.SchDoc		



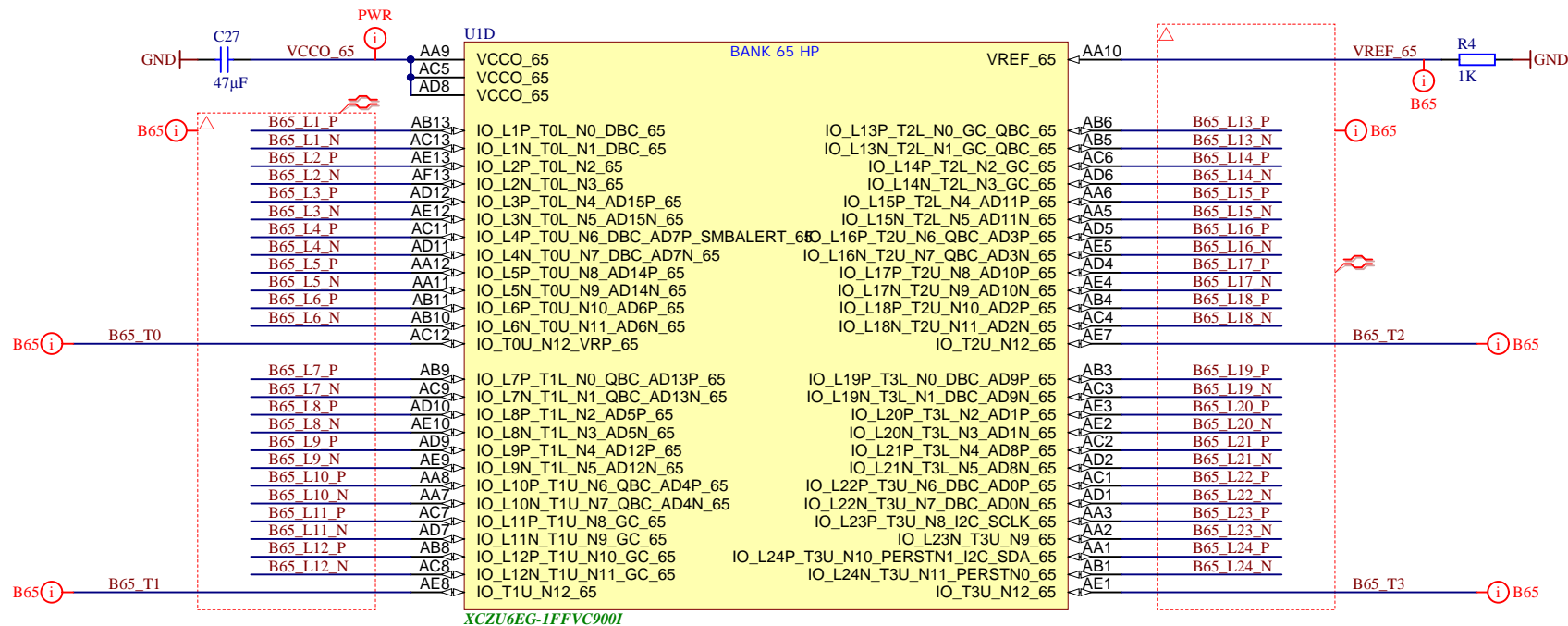
Title: TE0808 - B47HD and B48HD		
A4	Number: TE0808 6BI21-A	Rev. 04
Date: 13.08.2017	Copyright: Trenz Electronic GmbH / TT	Page6 of 28
Filename: B_HD.SchDoc		



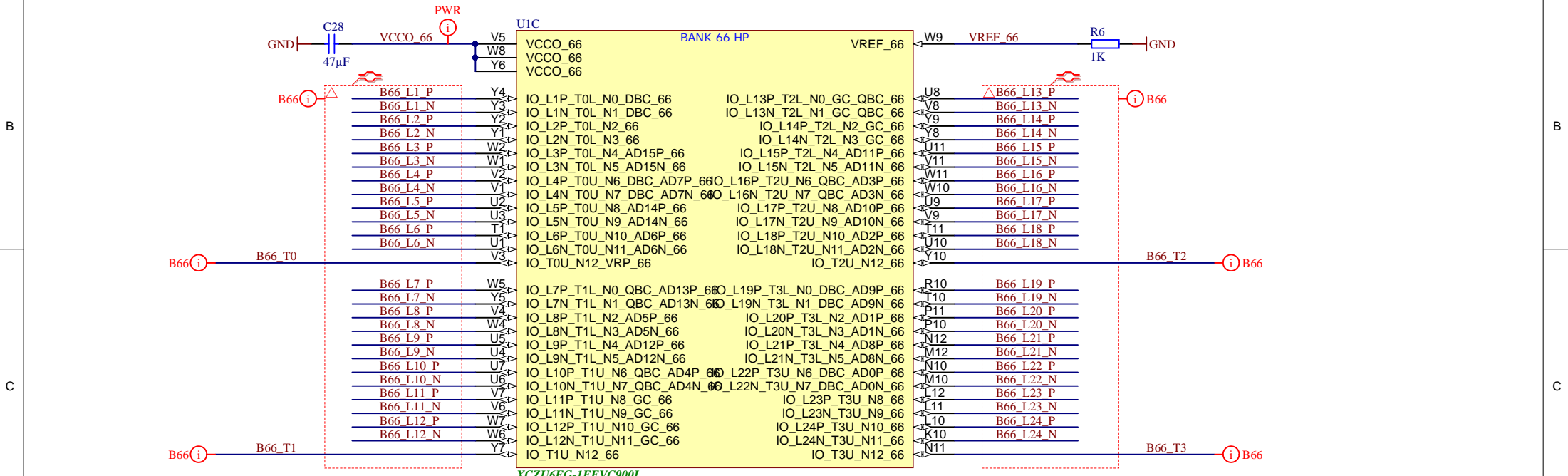
Title: TE0808 - Config		
A4	Number: TE0808 6BI21-A	Rev. 04
Date: 13.08.2017	Copyright: Trenz Electronic GmbH / TT	Page 7 of 28
Filename: CONFIG.SchDoc		



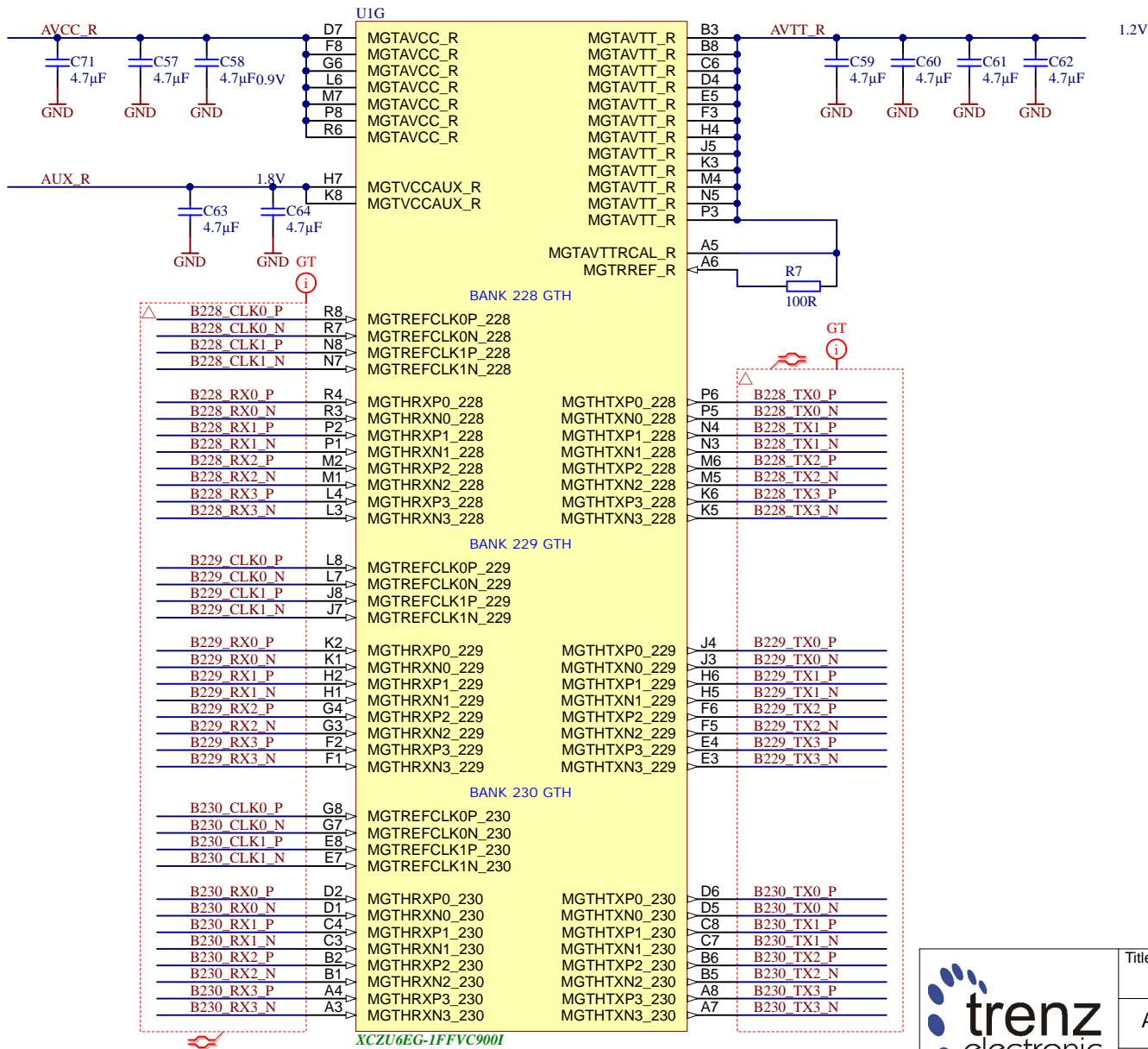

Title: TE0808 - B64		
A4	Number: TE0808 6BI21-A	Rev. 04
Date: 13.08.2017	Copyright: Trenz Electronic GmbH / TT	Page 8 of 28
Filename: B64.SchDoc		



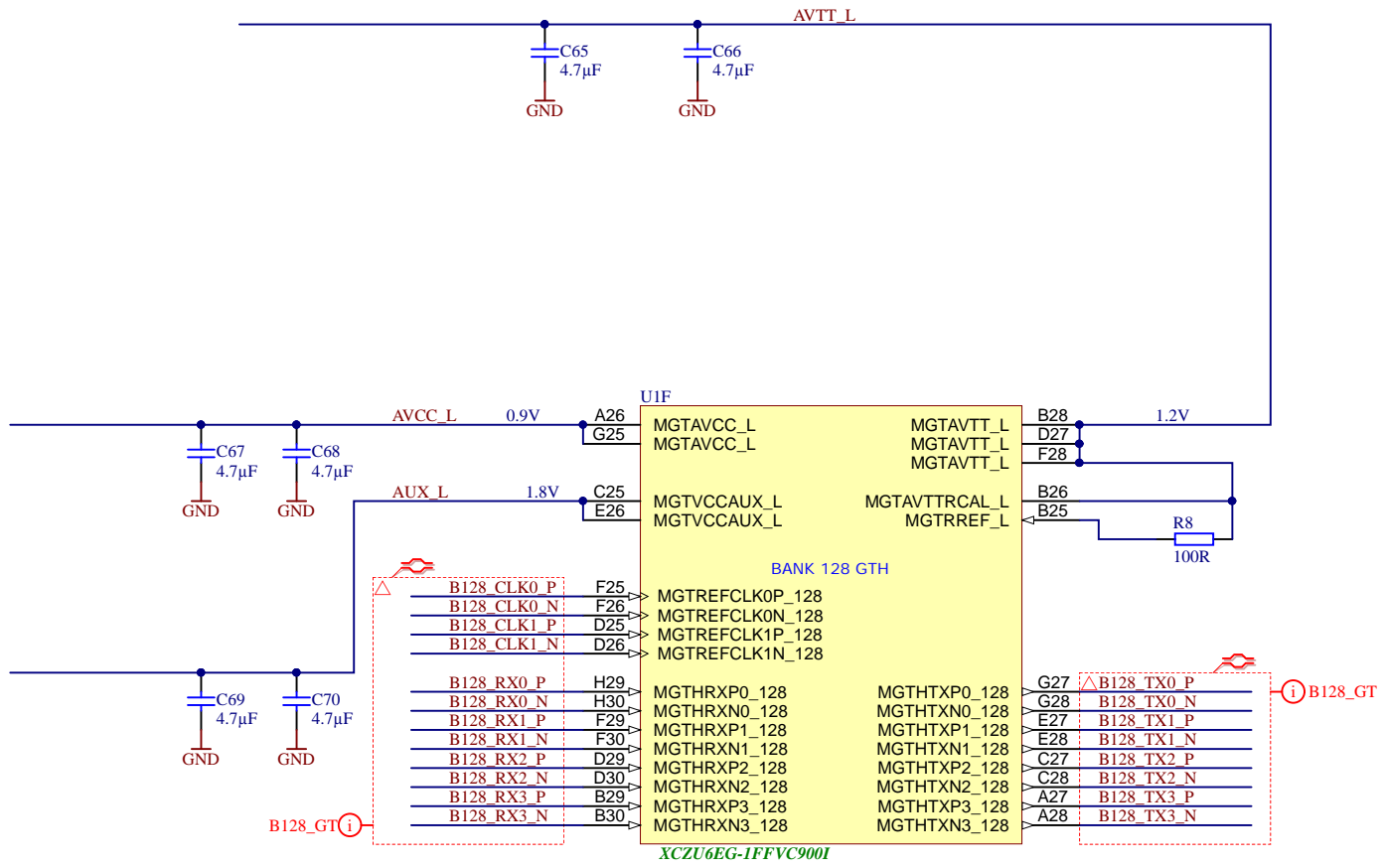
Title: TE0808 - B65		
A4	Number: TE0808 6BI21-A	Rev. 04
Date: 13.08.2017	Copyright: Trenz Electronic GmbH / TT	Page9 of 28
Filename: B65.SchDoc		



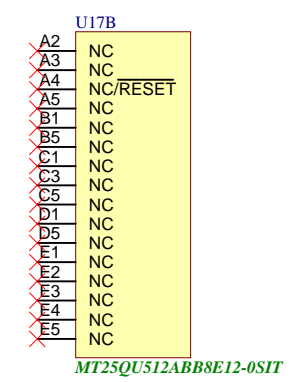
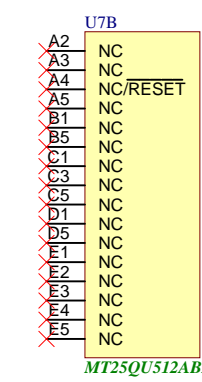
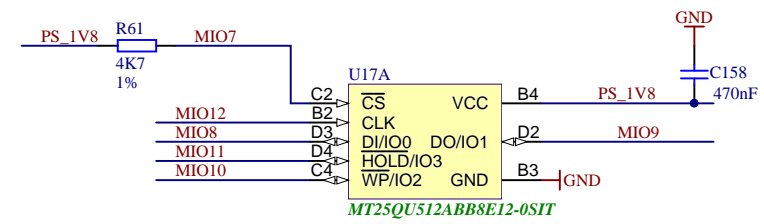
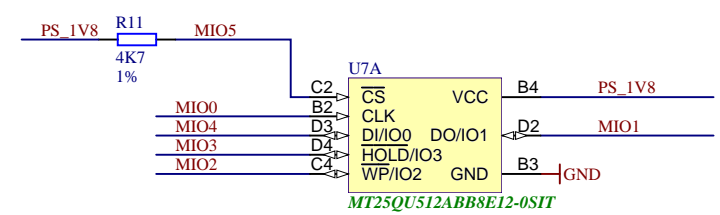
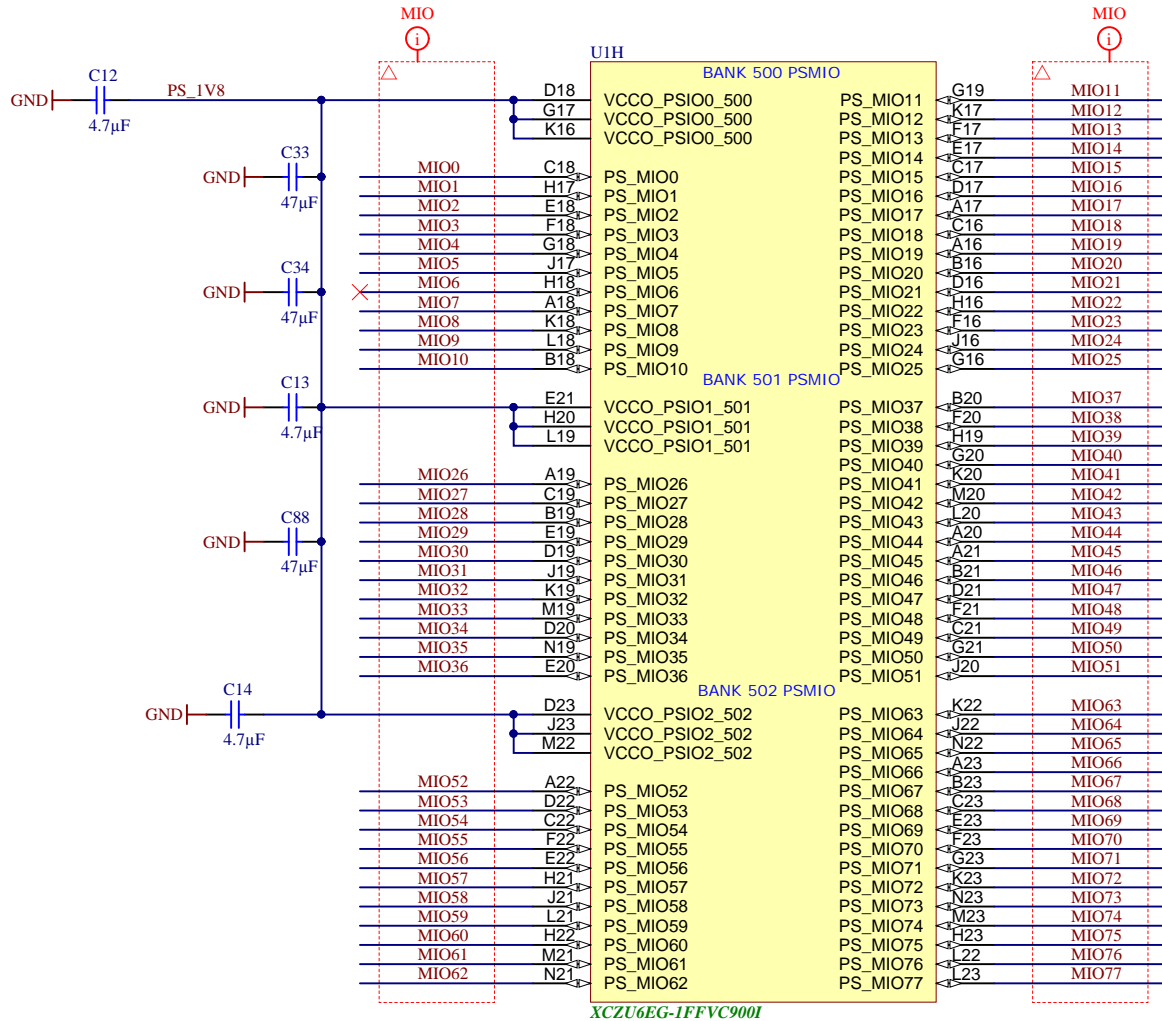
	Title: TE0808 - B66		
	A4	Number: TE0808 6BI21-A	Rev. 04
	Date: 13.08.2017	Copyright: Trenz Electronic GmbH / TT	Page 10 of 28
	Filename: B66.SchDoc		

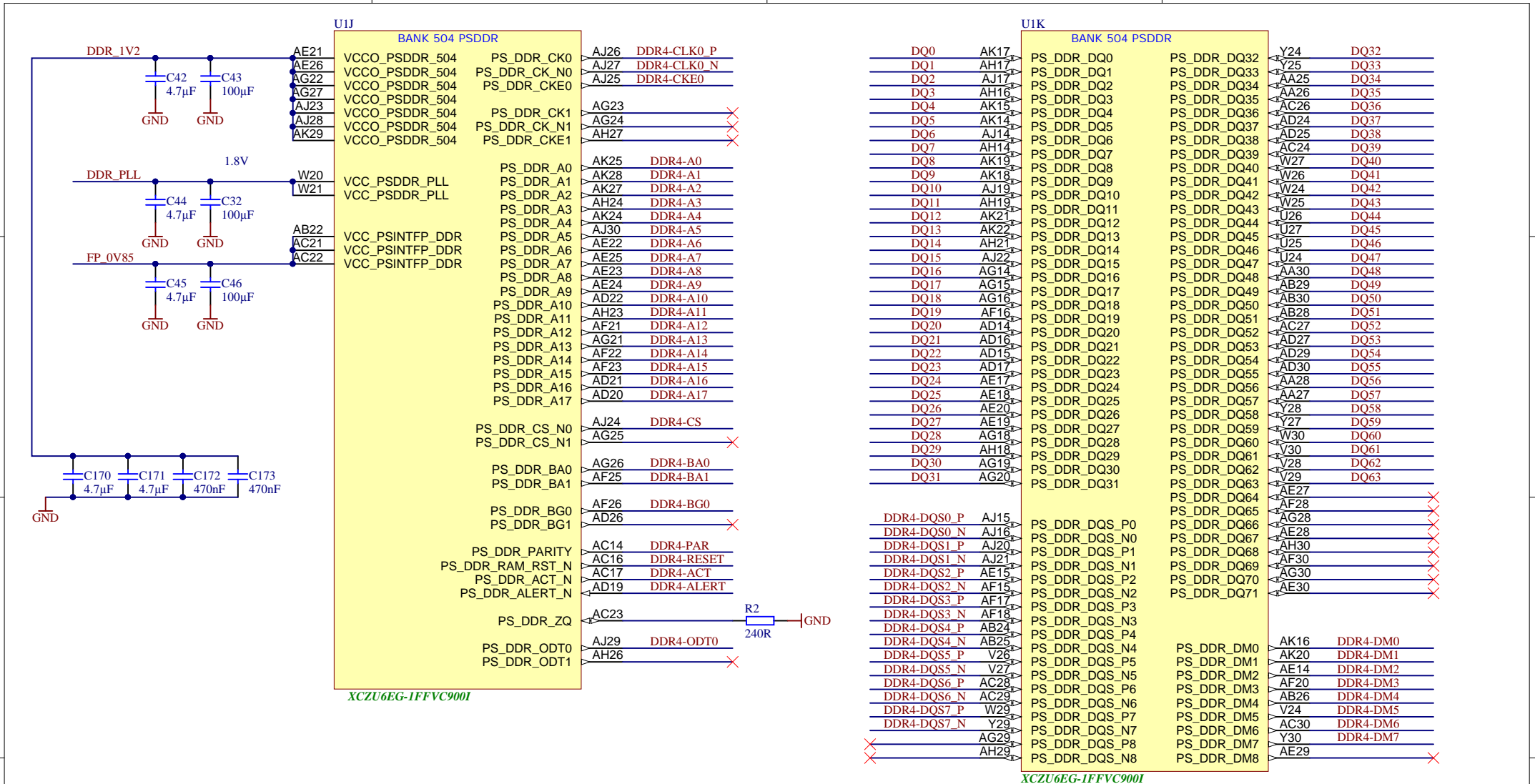
Title: TE0808 - B228GTH_B229GTH_B230GTH		
A4	Number: TE0808 6BI21-A	Rev. 04
Date: 13.08.2017	Copyright: Trenz Electronic GmbH / TT	Page 11 of 28
Filename: B_GT.SchDoc		



	Title: TE0808 - B128GTH	
	A4	Number: TE0808 6BI21-A
	Date: 13.08.2017	Copyright: Trenz Electronic GmbH / TT
	Rev. 04	Page 12 of 28
Filename: B_GT_2.SchDoc		



	Title: TE0808 - MIO Banks		
	A4	Number: TE0808 6BI21-A	Rev. 04
	Date: 13.08.2017	Copyright: Trenz Electronic GmbH / TT	Page 13 of 28
	Filename: B_MIO.SchDoc		



	Title: TE0808 - PS_DDR		
	A4	Number: TE0808 6BI21-A	Rev. 04
	Date: 13.08.2017	Copyright: Trenz Electronic GmbH / TT	Page 14 of 28
	Filename: PS_DDR.SchDoc		

1

2

3

4

A

A

B

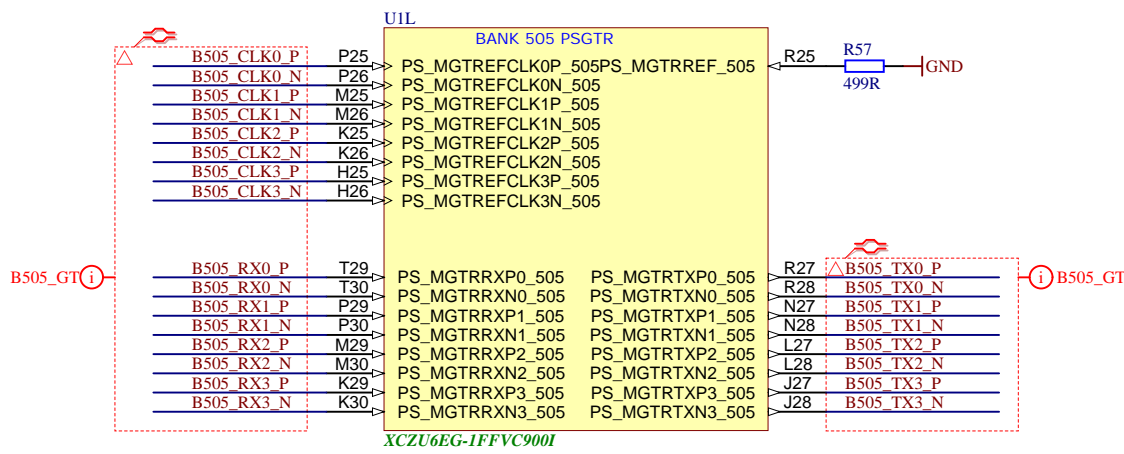
B


C

C

D

D



	Title: TE0808 - PS_GT		
	A4	Number: TE0808 6BI21-A	Rev. 04
	Date: 13.08.2017	Copyright: Trenz Electronic GmbH / TT	Page 15 of 28
	Filename: B_PS_GT.SchDoc		

1

2

3

4

1

2

3

4

A

A

B

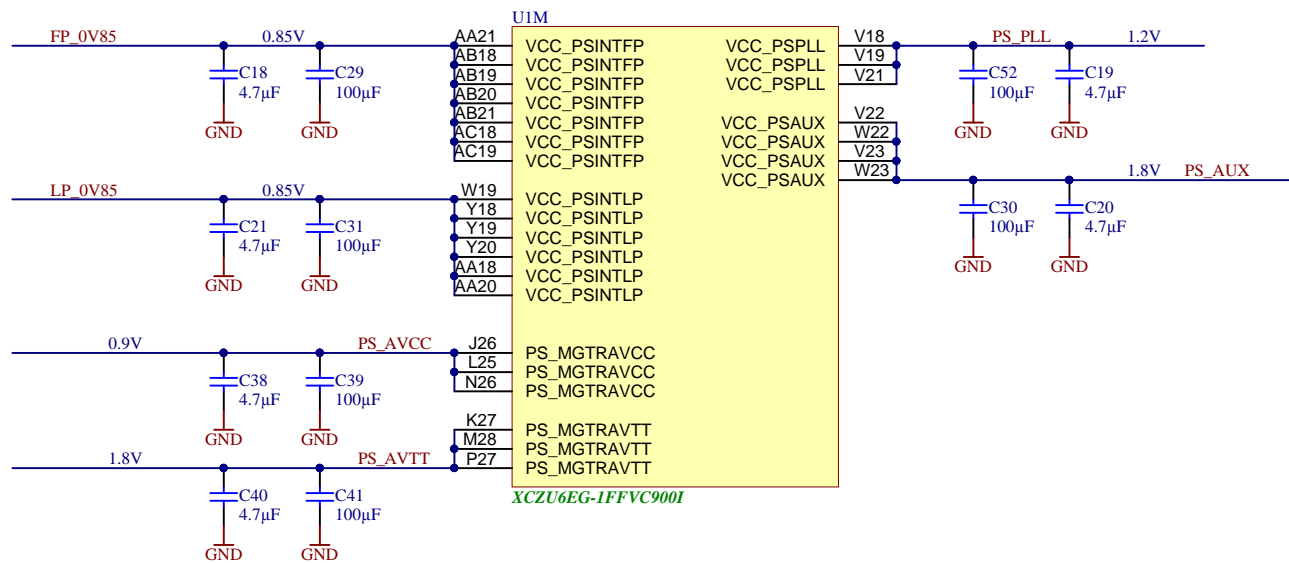
B

C

C

D

D



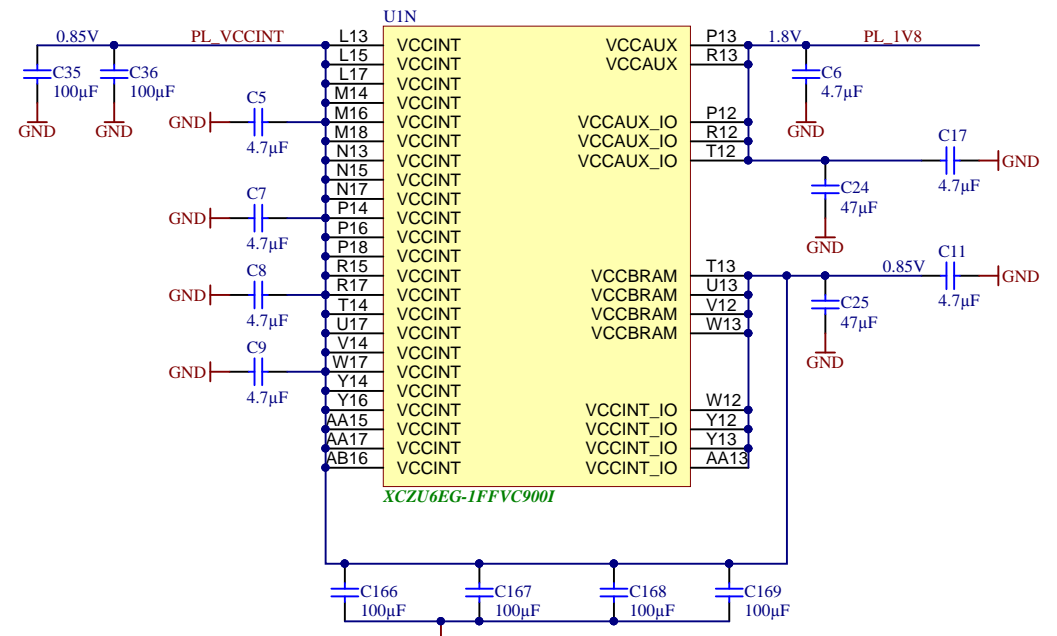
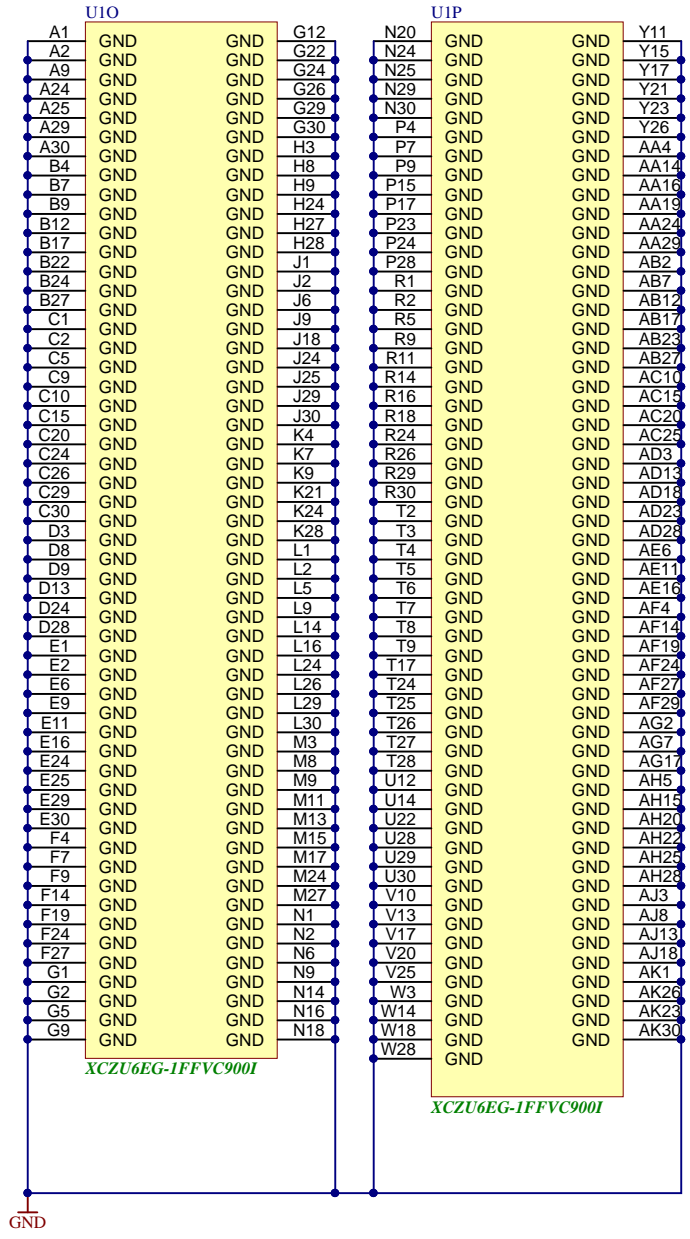
Title: TE0808 - ZU_PS_POWER		
A4	Number: TE0808 6BI21-A	Rev. 04
Date: 13.08.2017	Copyright: Trenz Electronic GmbH / TT	Page 16 of 28
Filename: ZU_PS_POWER.SchDoc		

1

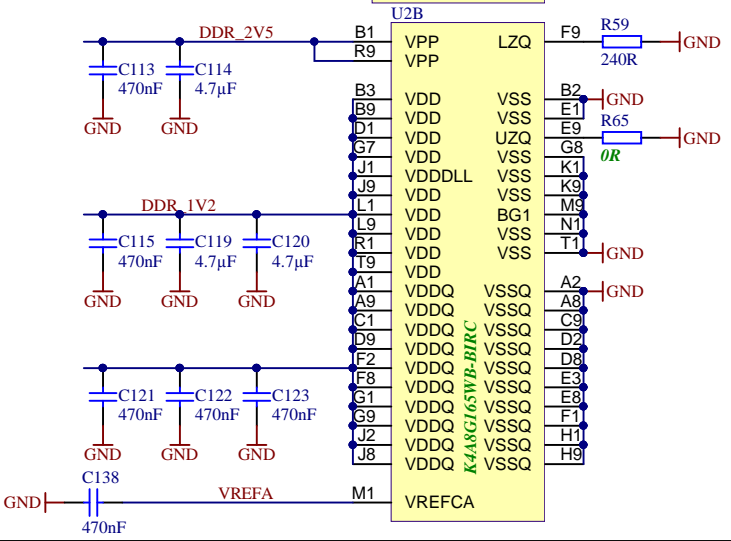
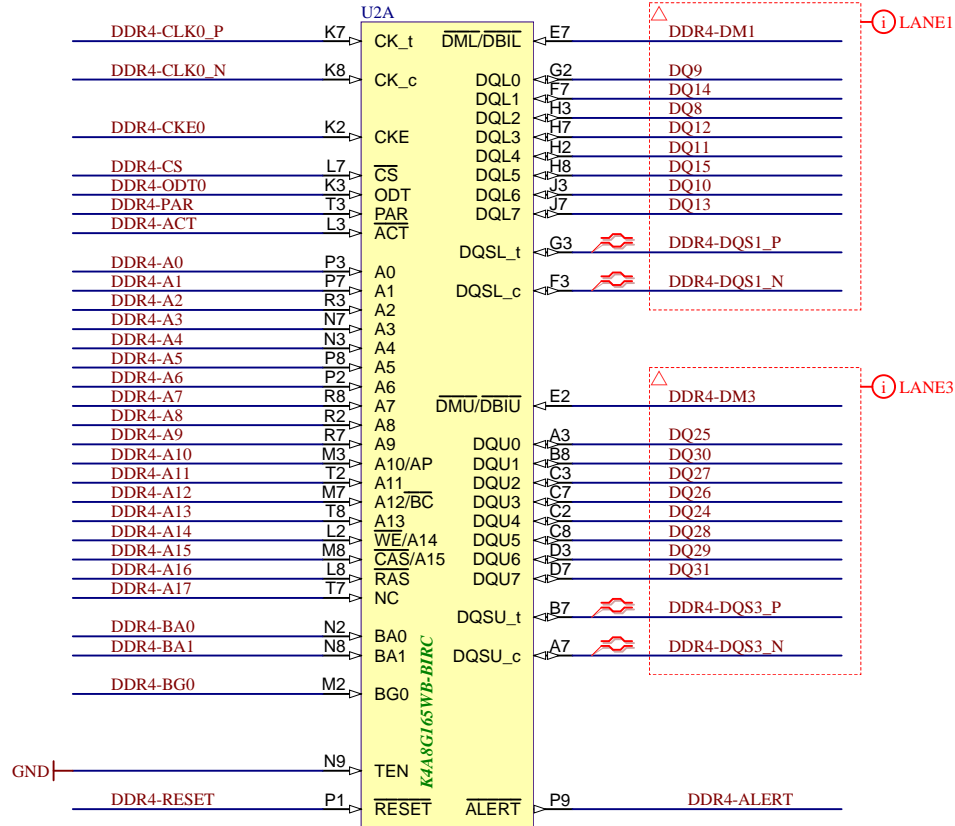

2

3

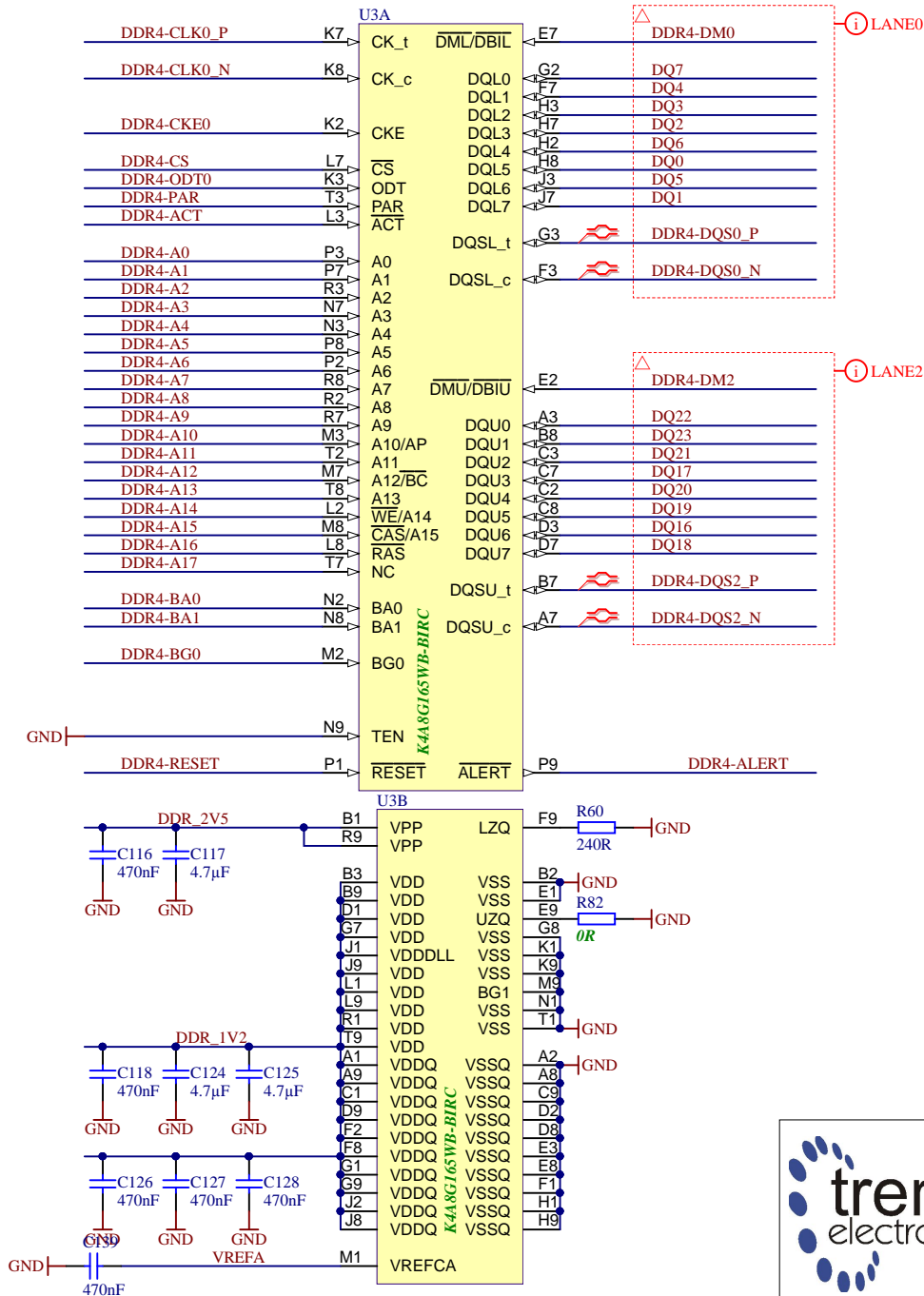
4



Title: TE0808 - ZU_POWER		
A4	Number: TE0808 6BI21-A	Rev. 04
Date: 13.08.2017	Copyright: Trenz Electronic GmbH / TT	Page 17 of 28
Filename: ZU_POWER.SchDoc		

Title: TE0808 - DDR4_1_RAM		
A4	Number: TE0808 6BI21-A	Rev. 04
Date: 13.08.2017	Copyright: Trenz Electronic GmbH / TT	Page 18 of 28
Filename: DDR4-RAM.SchDoc		



Title: TE0808 - DDR4_2_RAM		
A4	Number: TE0808 6BI21-A	Rev. 04
Date: 13.08.2017	Copyright: Trenz Electronic GmbH / TT	Page 19 of 28
Filename: DDR4-RAM_2.SchDoc		

1

2

3

4

A

A

B

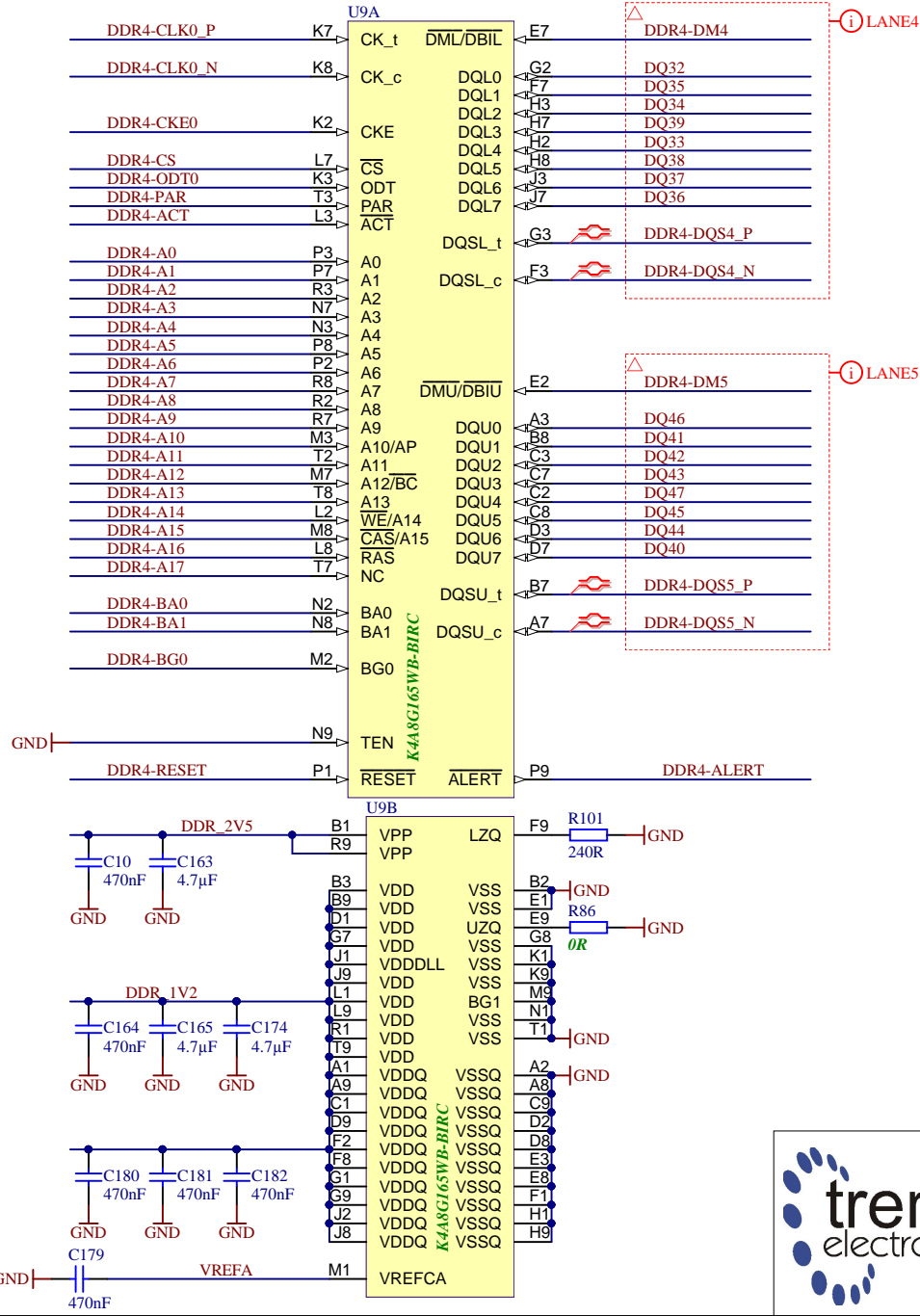

B

C

C

D

D

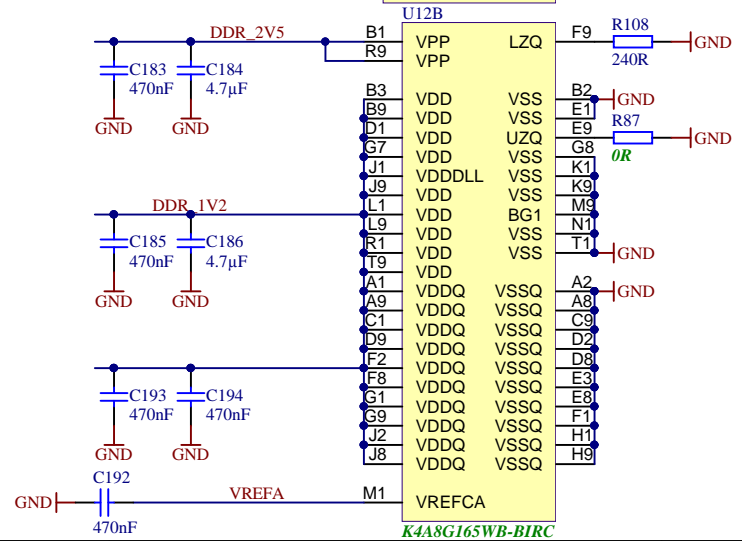
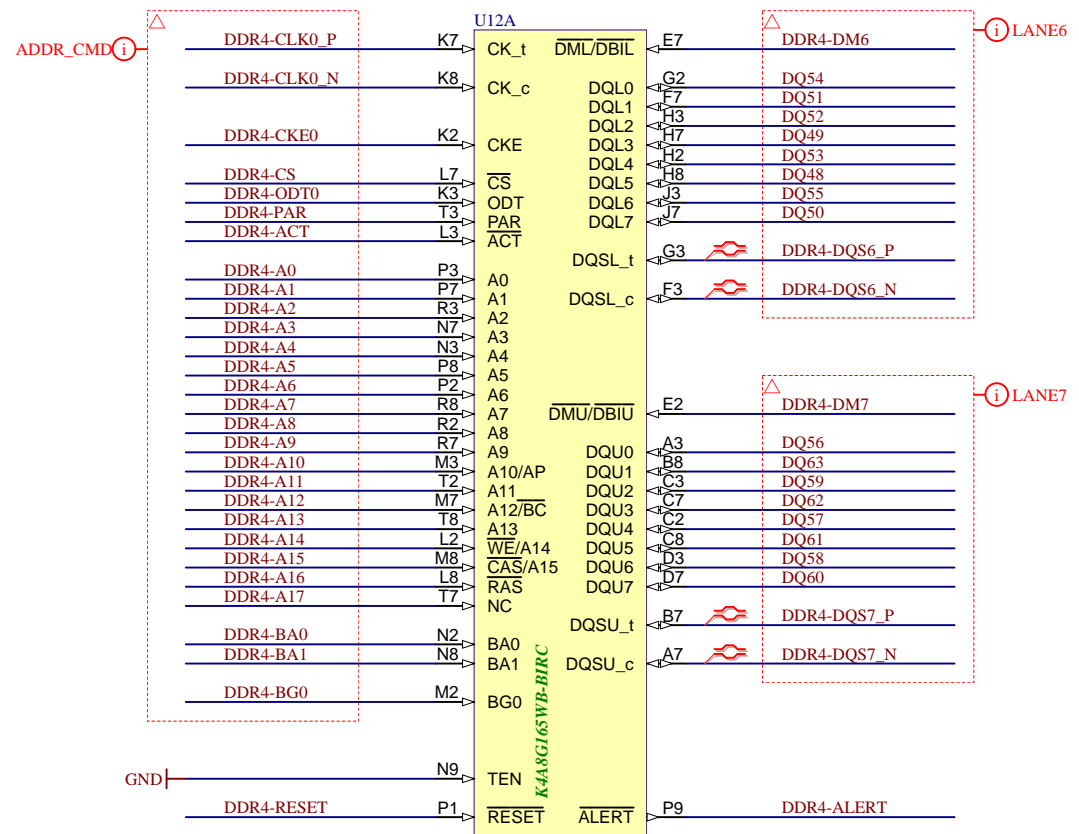
Title: TE0808 - DDR4_3_RAM		
A4	Number: TE0808 6BI21-A	Rev. 04
Date: 13.08.2017	Copyright: Trenz Electronic GmbH / TT	Page20 of 28
Filename: DDR4-RAM_3.SchDoc		

1

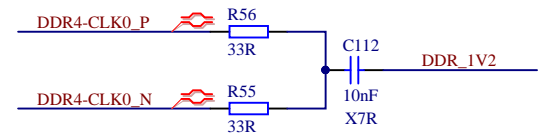
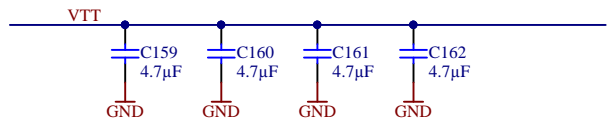
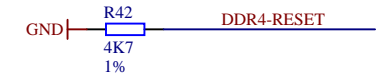
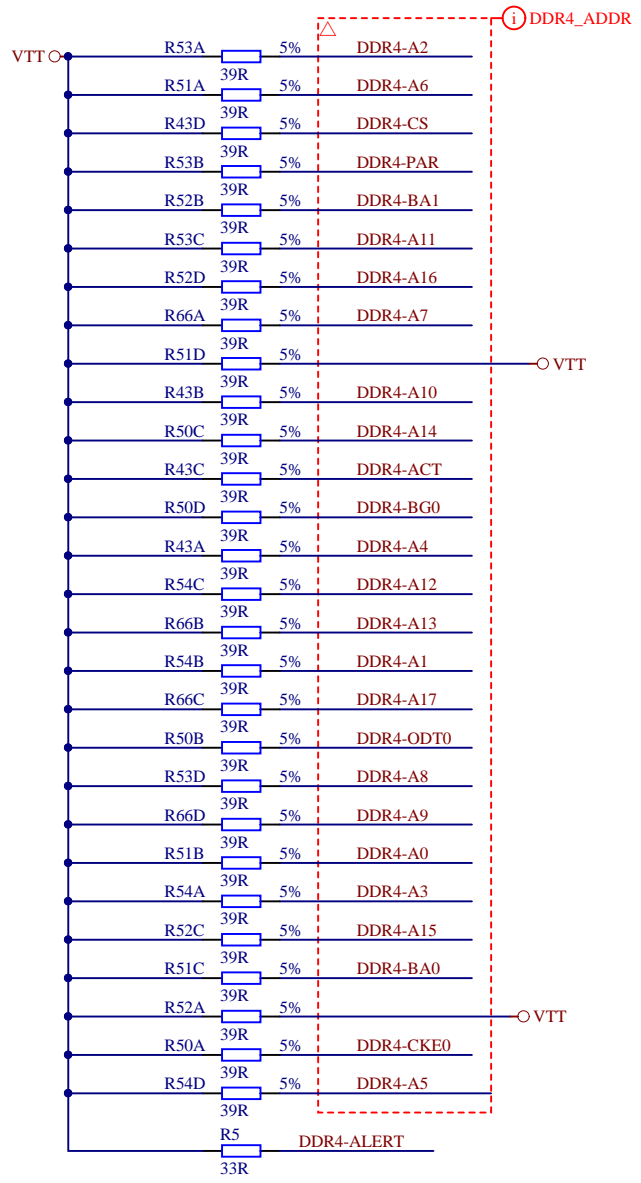
2

3

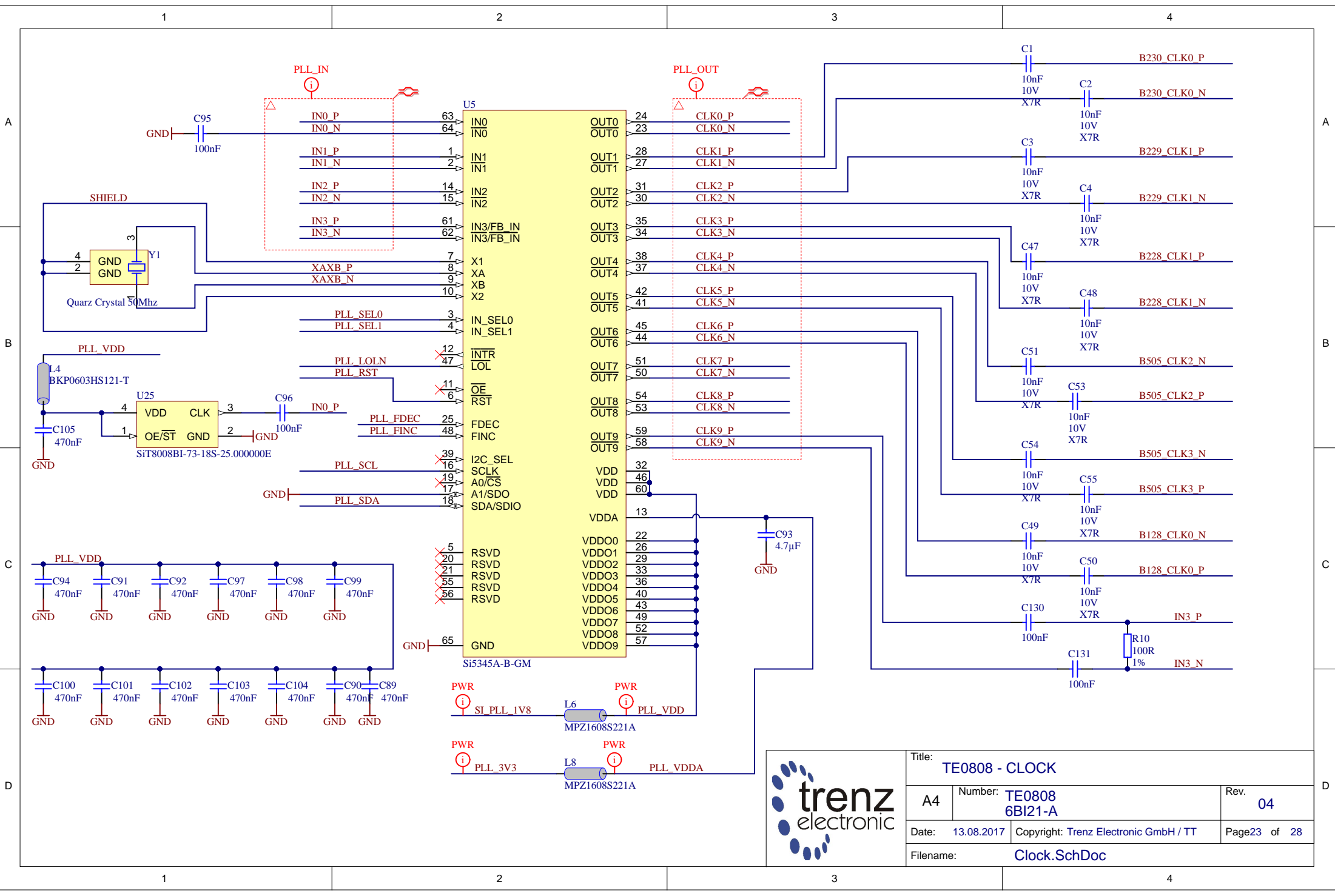
4



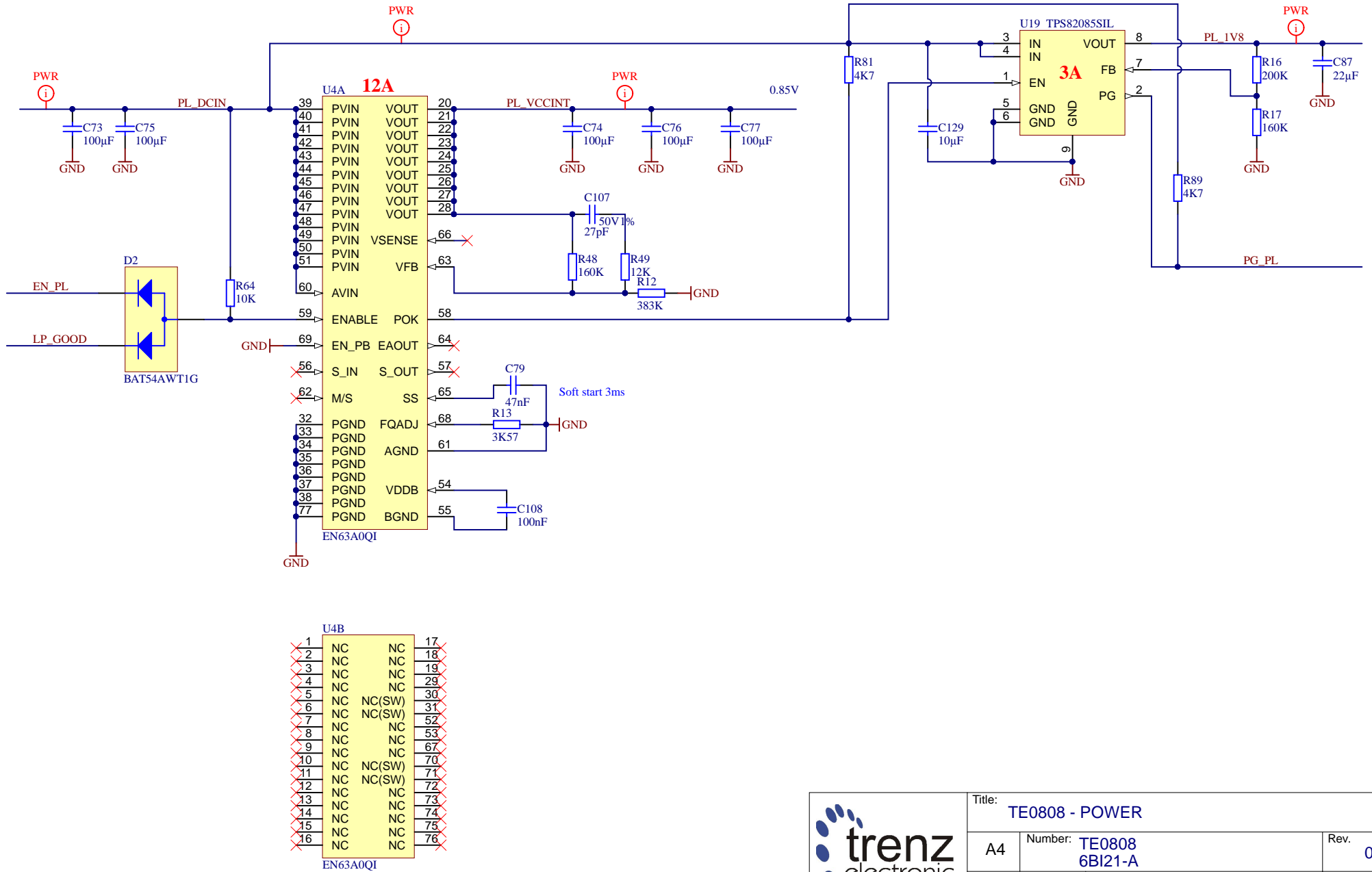

Title: TE0808 - DDR4_4_RAM		
A4	Number: TE0808 6BI21-A	Rev. 04
Date: 13.08.2017	Copyright: Trenz Electronic GmbH / TT	Page 21 of 28
Filename: DDR4-RAM_4.SchDoc		



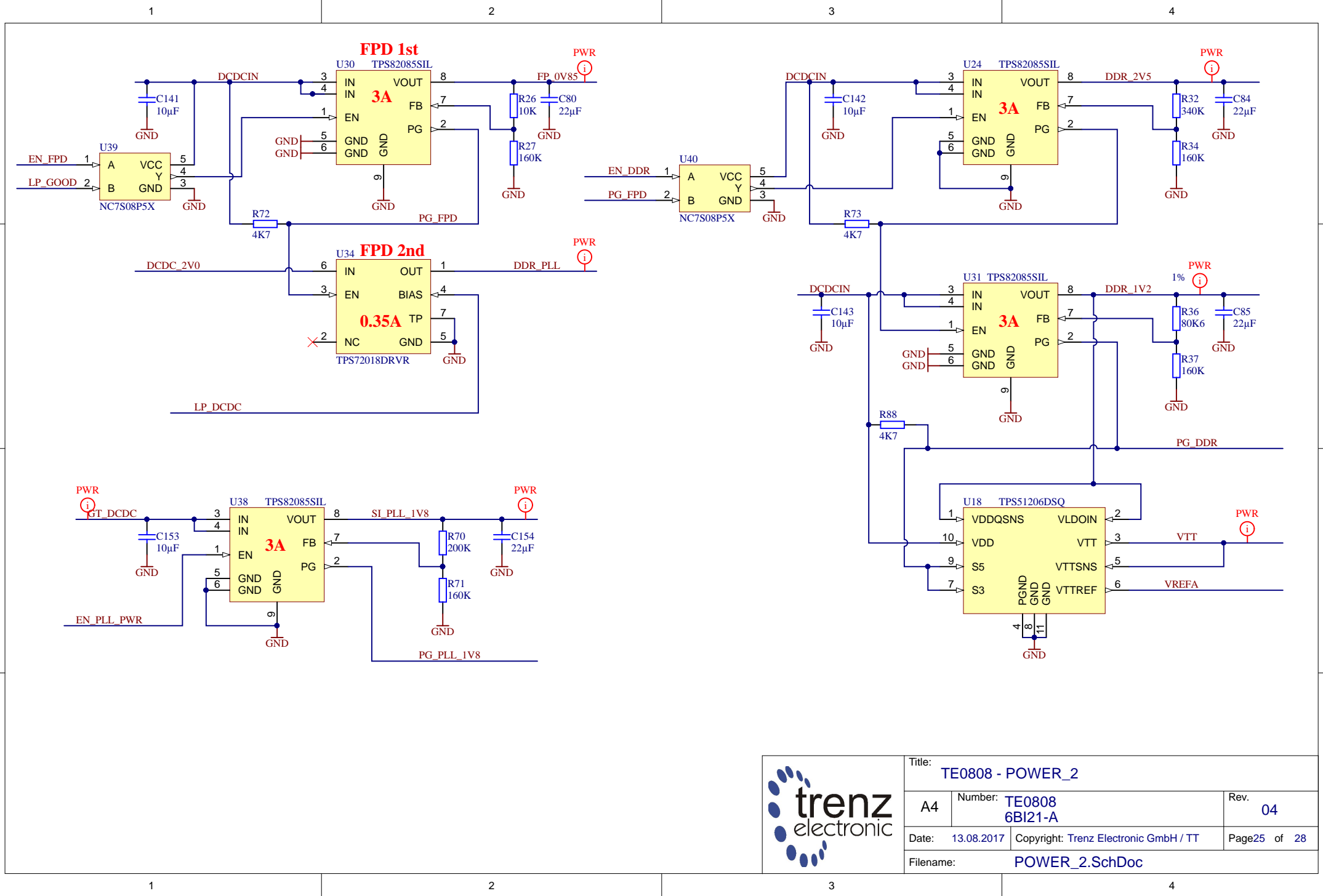
Title: TE0808 - DDR4_TERM		
A4	Number: TE0808 6BI21-A	Rev. 04
Date: 13.08.2017	Copyright: Trenz Electronic GmbH / TT	Page 22 of 28
Filename: DDR4-TERM.SchDoc		




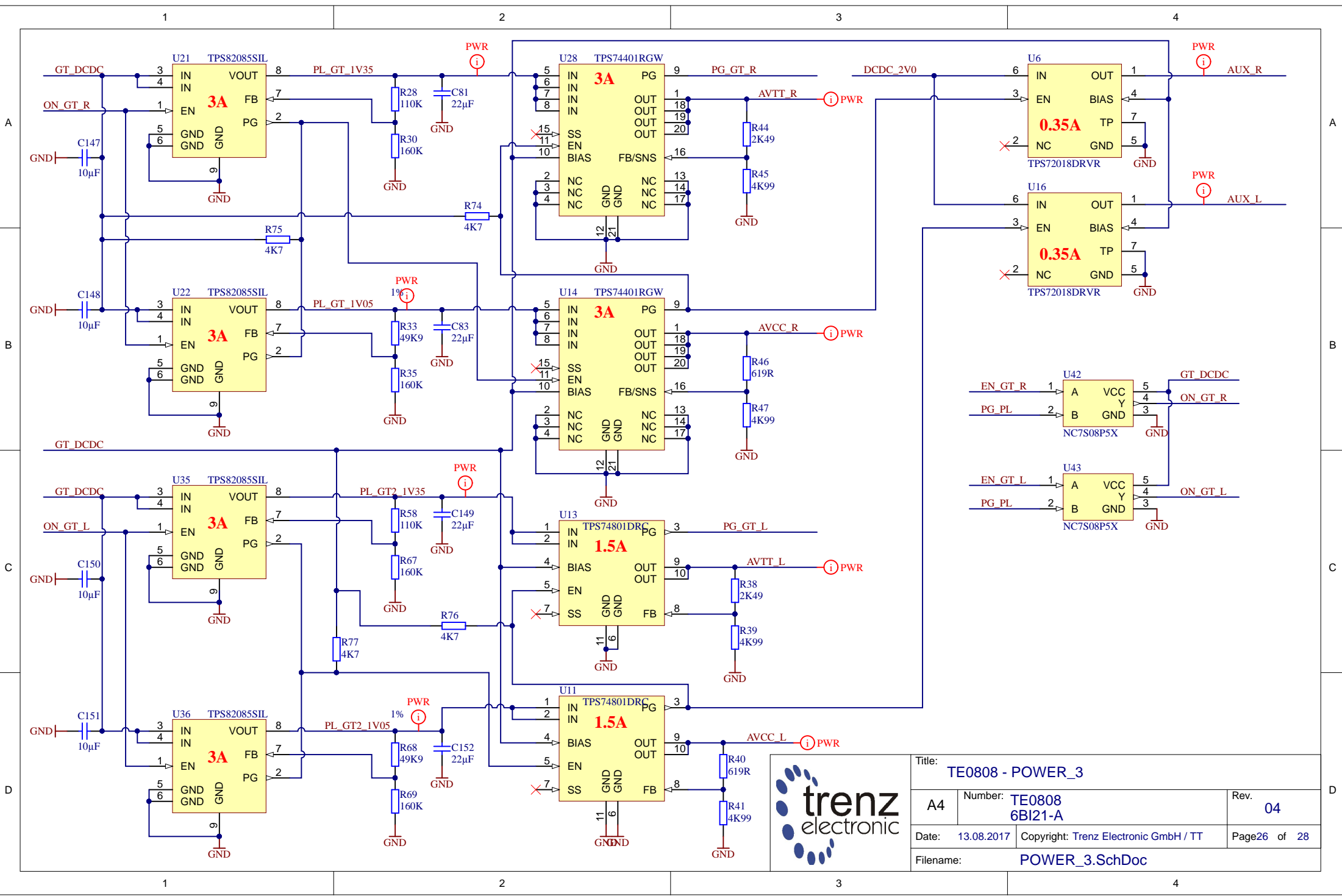
Title: TE0808 - CLOCK		
A4	Number: TE0808 6BI21-A	Rev. 04
Date: 13.08.2017	Copyright: Trenz Electronic GmbH / TT	Page 23 of 28
Filename: Clock.SchDoc		

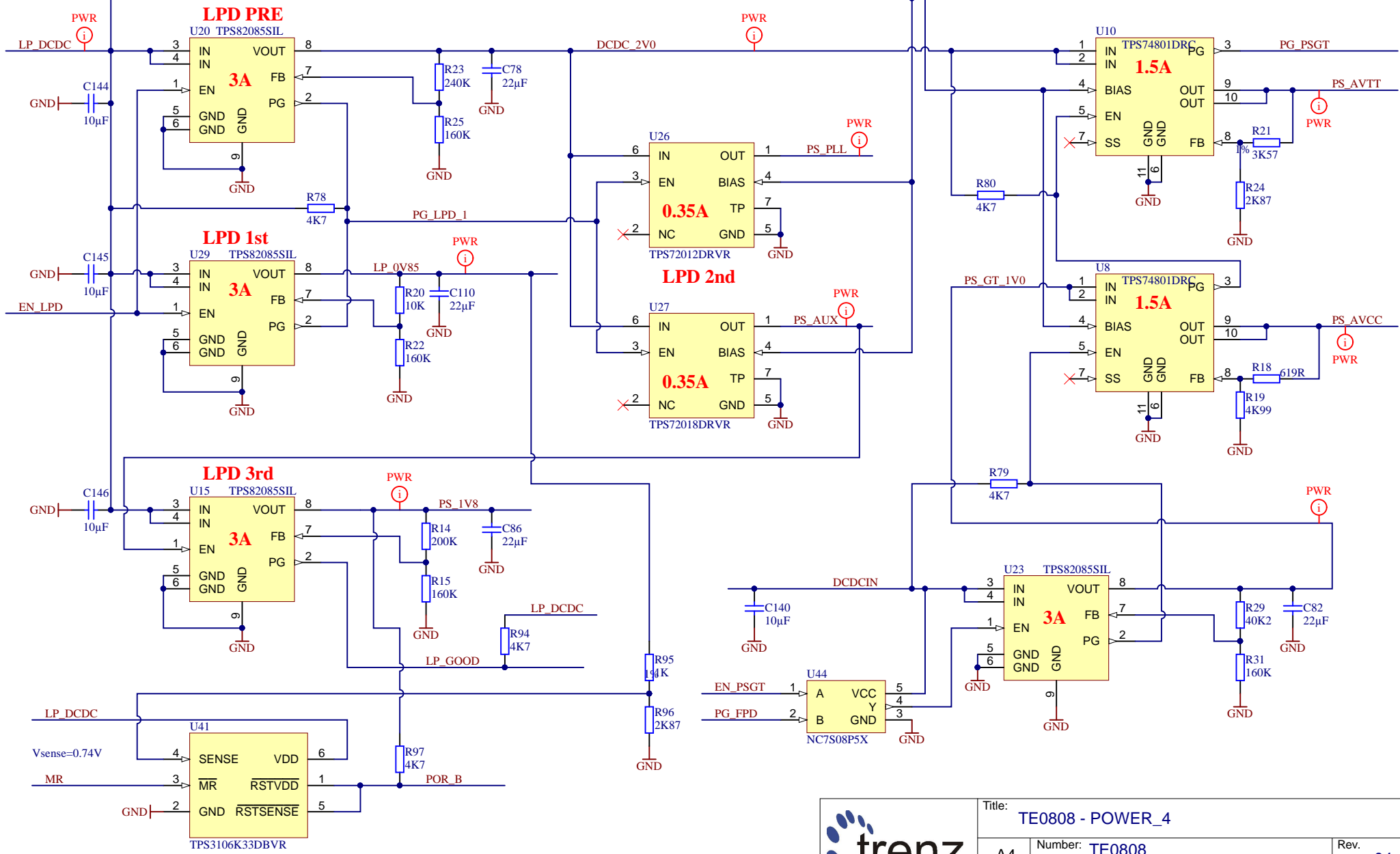
Title: TE0808 - POWER		
A4	Number: TE0808 6BI21-A	Rev. 04
Date: 13.08.2017	Copyright: Trenz Electronic GmbH / TT	Page 24 of 28
Filename: POWER.SchDoc		




		Title: TE0808 - POWER_2	
		A4	Number: TE0808 6BI21-A
Date: 13.08.2017		Copyright: Trenz Electronic GmbH / TT	
Filename: POWER_2.SchDoc		Page 25 of 28	
		Rev. 04	



Title: TE0808 - POWER_3		
A4	Number: TE0808 6BI21-A	Rev. 04
Date: 13.08.2017	Copyright: Trenz Electronic GmbH / TT	Page 26 of 28
Filename: POWER_3.SchDoc		



			Title: TE0808 - POWER_4	
			A4	Number: TE0808 6BI21-A
Date: 13.08.2017		Copyright: Trenz Electronic GmbH / TT		Page 27 of 28
Filename: POWER_4.SchDoc				

1

2

3

4

CHANGES REV03 to REV04

- 1) added resistors R65,R82,R86,R87 (240R) for each DDR4-chip for supporting DDP DDR4 chips
- 2) full update lib

A

A

B


B

C

C

D

D

	Title: TE0808 - Changes list		
	A4	Number: TE0808 6BI21-A	Rev. 04
	Date: 13.08.2017	Copyright: Trenz Electronic GmbH	Page 28 of 28
	Filename: Revision_Changes.SchDoc		

1

2

3

4