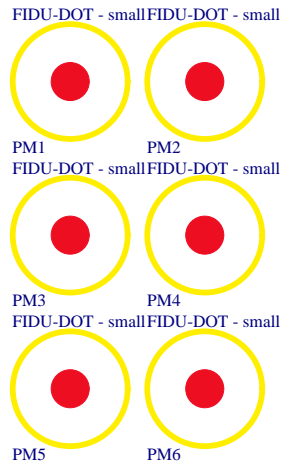
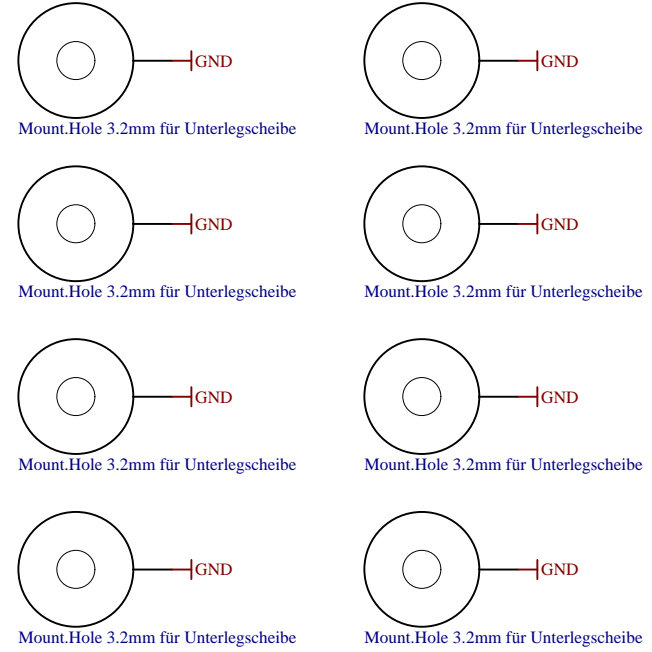


U_J1 J1.SchDoc	U_B_PS_GT B_PS_GT.SchDoc	U_DDR4-TERM DDR4-TERM.SchDoc
U_J2 J2.SchDoc	U_PS_DDR PS_DDR.SchDoc	U_ZU_POWER ZU_POWER.SchDoc
U_J3 J3.SchDoc	U_B_MIO B_MIO.SchDoc	U_ZU_PS_POWER ZU_PS_POWER.SchDoc
U_J4 J4.SchDoc	U_B_HD B_HD.SchDoc	U_POWER POWER.SchDoc
U_DDR4-TERM DDR4-TERM.SchDoc	U_Clock Clock.SchDoc	U_POWER_2 POWER_2.SchDoc
U_B64 B64.SchDoc	U_CONFIG CONFIG.SchDoc	U_POWER_3 POWER_3.SchDoc
U_B65 B65.SchDoc	U_DDR4-RAM DDR4-RAM.SchDoc	U_POWER_4 POWER_4.SchDoc
U_B66 B66.SchDoc	U_DDR4-RAM_2 DDR4-RAM_2.SchDoc	
U_B_GT B_GT.SchDoc	U_DDR4-RAM_3 DDR4-RAM_3.SchDoc	
U_B_GT_2 B_GT_2.SchDoc	U_DDR4-RAM_4 DDR4-RAM_4.SchDoc	

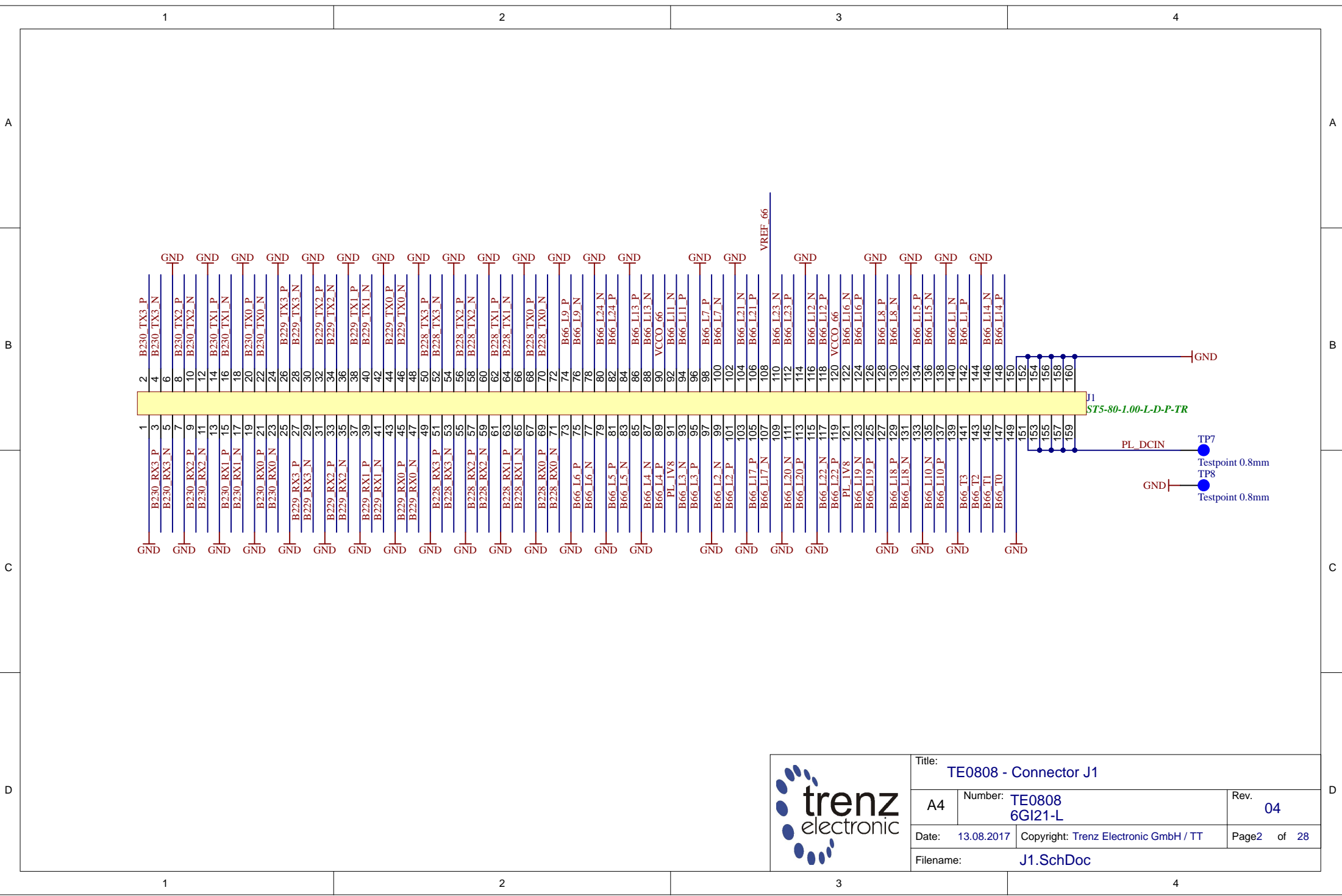


LOGO1  
TE Logo PRINT Layer  
LOGO PRINT

Serial  
Serialnumber 6,3 x 6.3mm

Assembly variant	6GI21-L
Created by	VY
Modified by	VY
Modified at	2019-06-06
SVN Revision	8500

Title: <b>TE0808</b>		
A4	Number: <b>TE0808</b> <b>6GI21-L</b>	Rev. <b>04</b>
Date: 13.08.2017	Copyright: Trenz Electronic GmbH / TT	Page1 of 28
Filename: <b>TE0808.SchDoc</b>		



Title: TE0808 - Connector J1		
A4	Number: TE0808 6GI21-L	Rev. 04
Date: 13.08.2017	Copyright: Trenz Electronic GmbH / TT	Page2 of 28
Filename: J1.SchDoc		

1

2

3

4

A

A

B

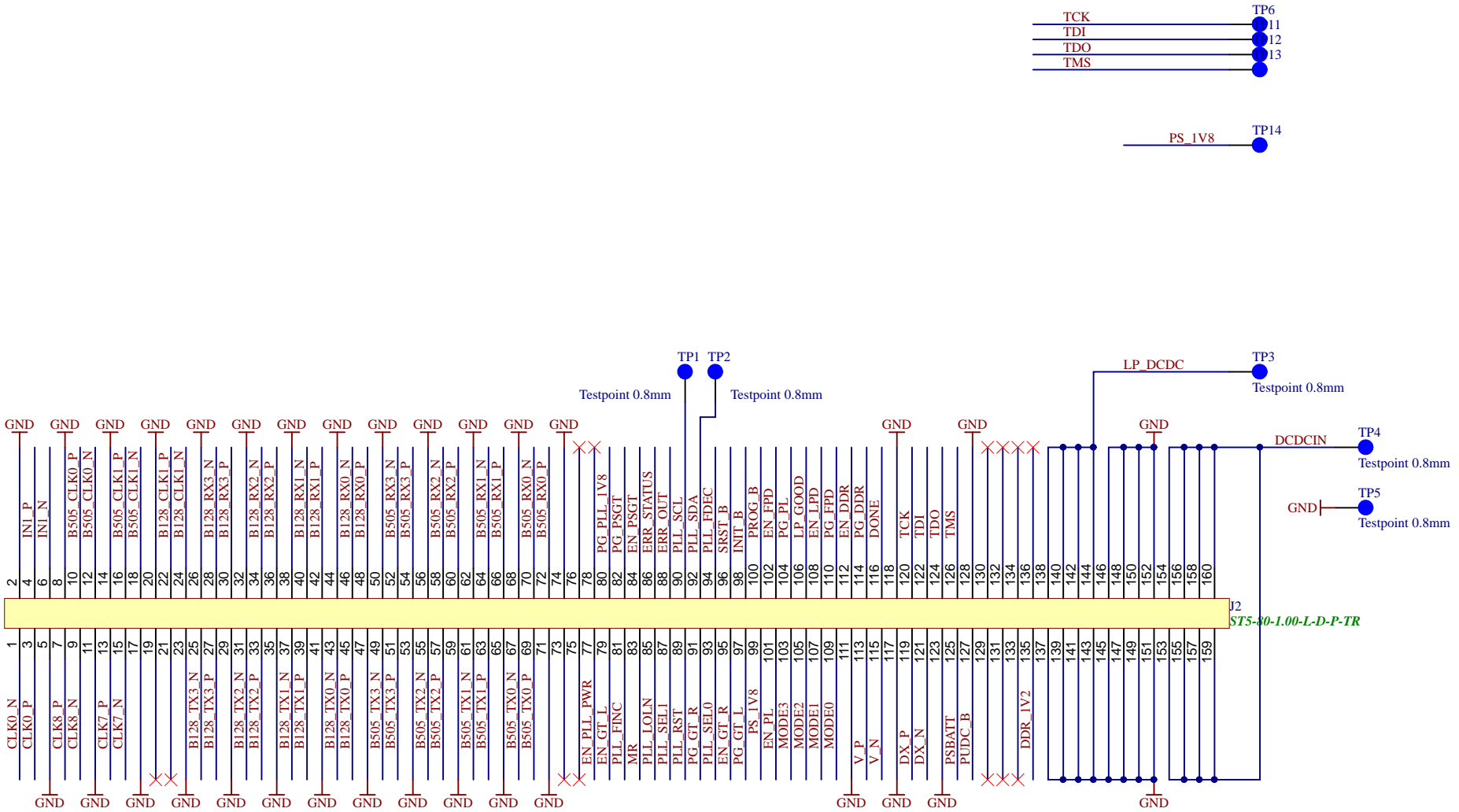
B

C

C

D

D



Title: TE0808 - Connector J2		
A4	Number: TE0808 6GI21-L	Rev. 04
Date: 13.08.2017	Copyright: Trenz Electronic GmbH / TT	Page3 of 28
Filename: J2.SchDoc		

1

2

3

4

1

2

3

4

A

A

B

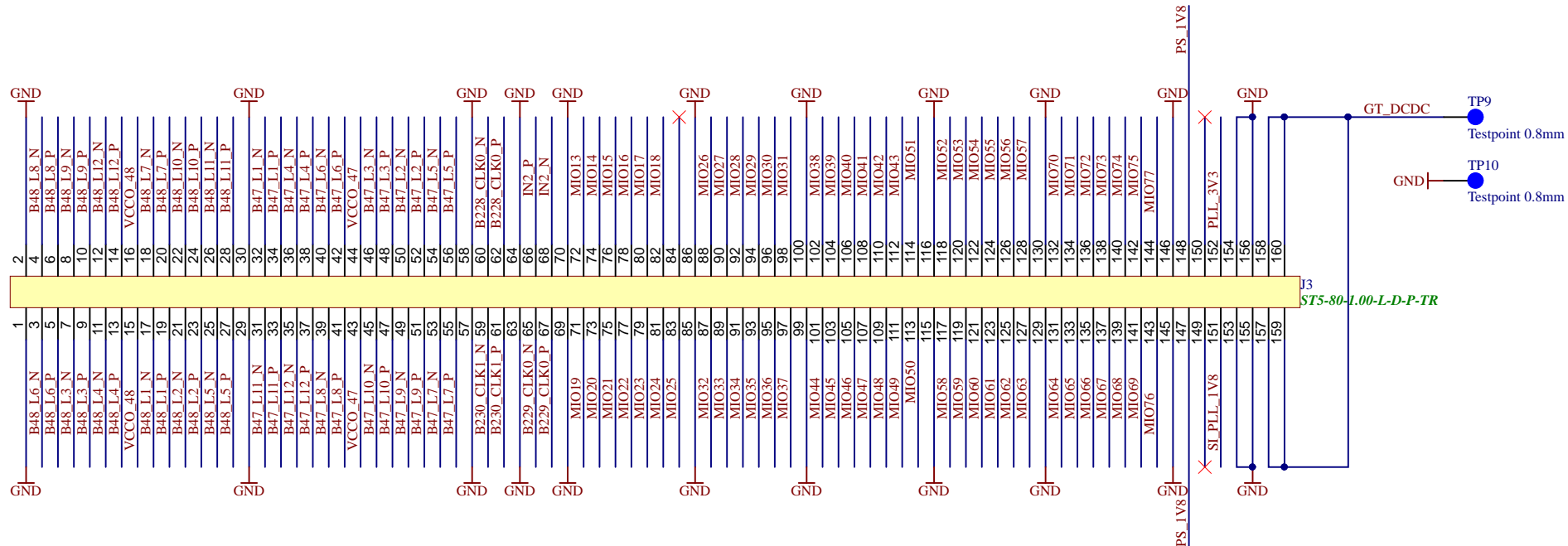
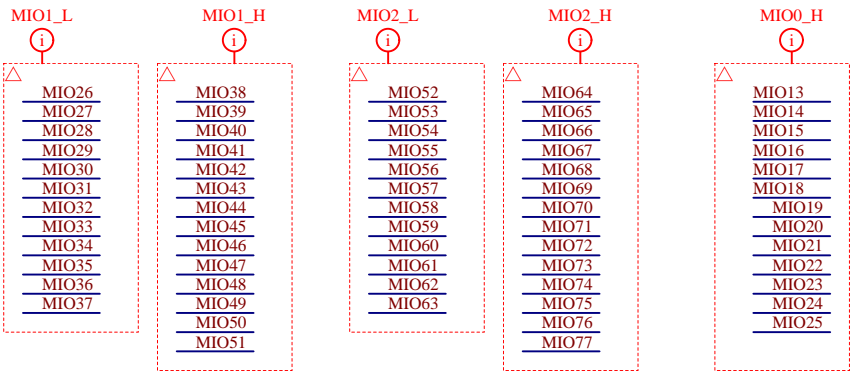
B

C

C

D

D



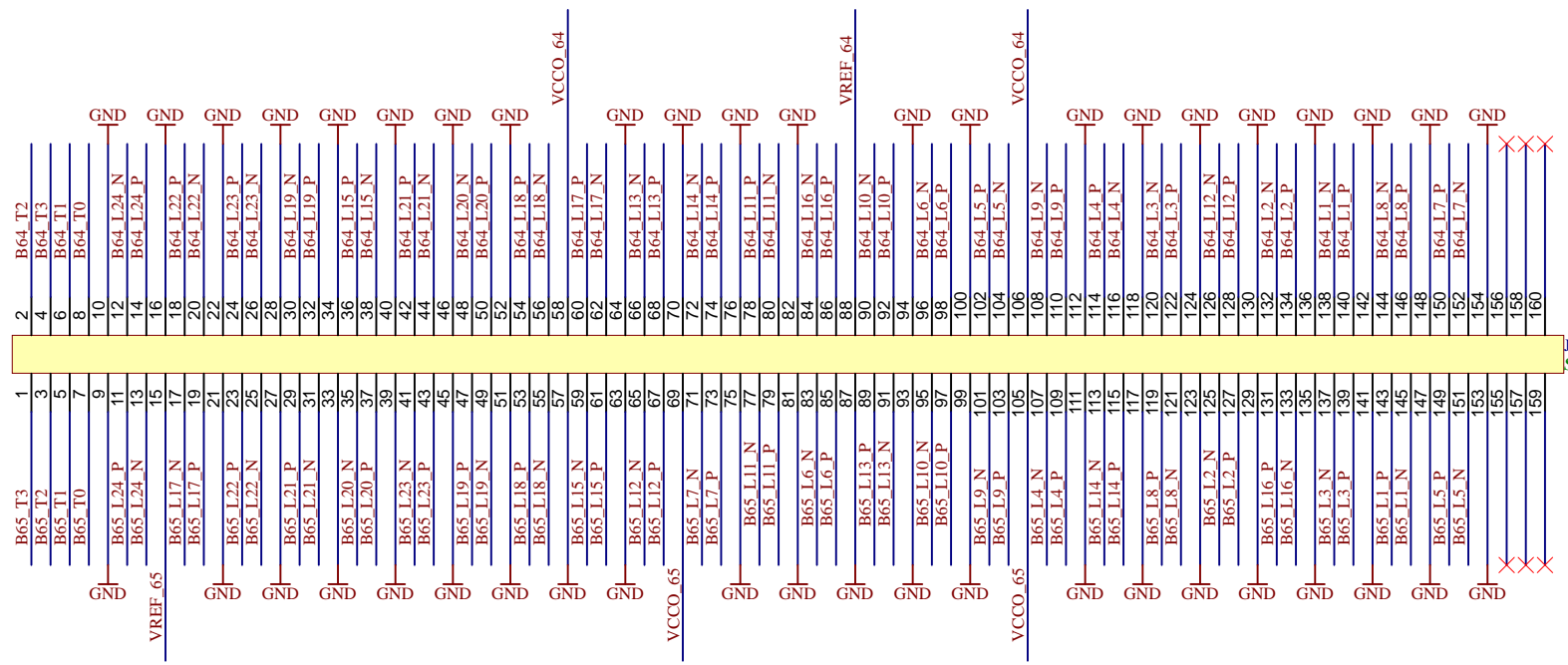
Title: TE0808 - Connector J3		
A4	Number: TE0808 6GI21-L	Rev. 04
Date: 13.08.2017	Copyright: Trenz Electronic GmbH / TT	Page4 of 28
Filename: J3.SchDoc		

1

2

3

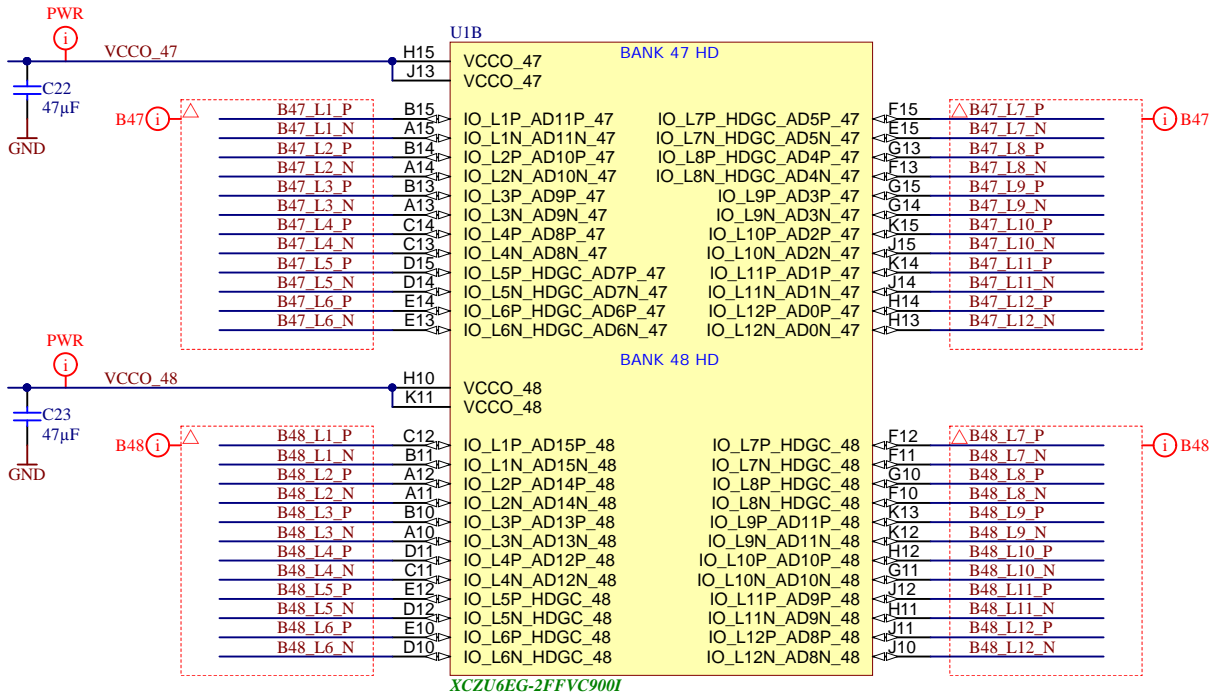
4



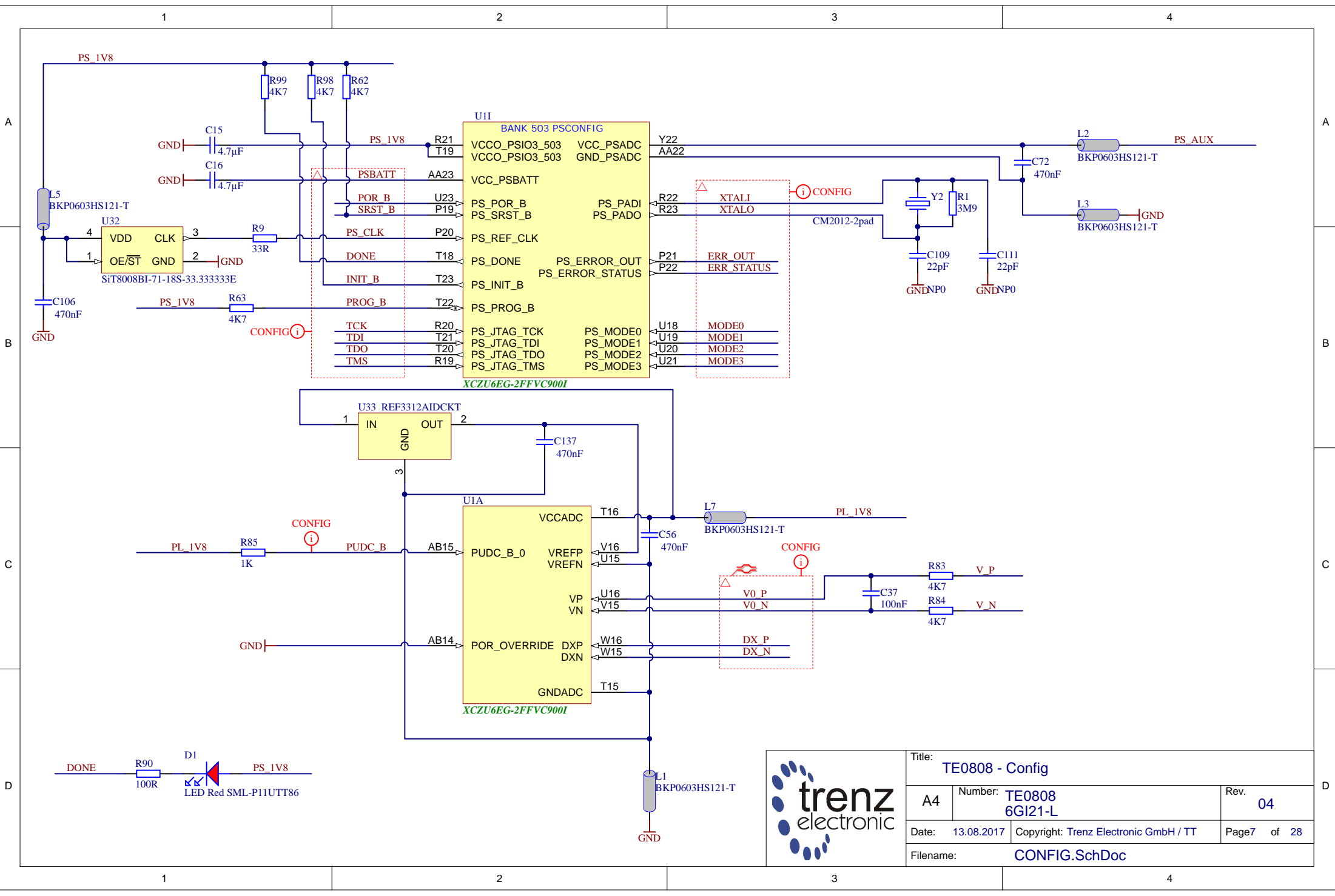
J4  
ST5-80-1.00-L-D-P-TR



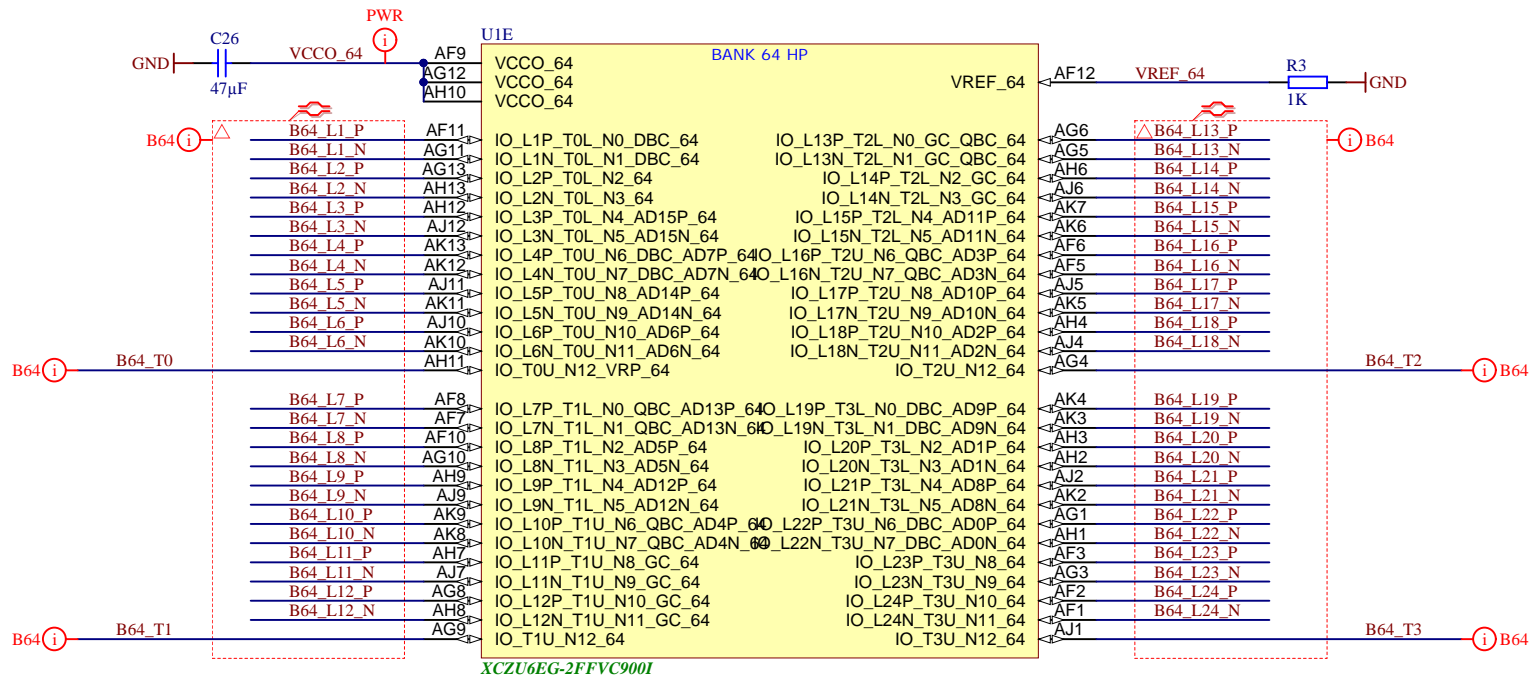
Title: TE0808 - Connector J4		
A4	Number: TE0808 6GI21-L	Rev. 04
Date: 13.08.2017	Copyright: Trenz Electronic GmbH / TT	Page5 of 28
Filename: J4.SchDoc		



Title: TE0808 - B47HD and B48HD		
A4	Number: TE0808 6GI21-L	Rev. 04
Date: 13.08.2017	Copyright: Trenz Electronic GmbH / TT	Page6 of 28
Filename: B_HD.SchDoc		

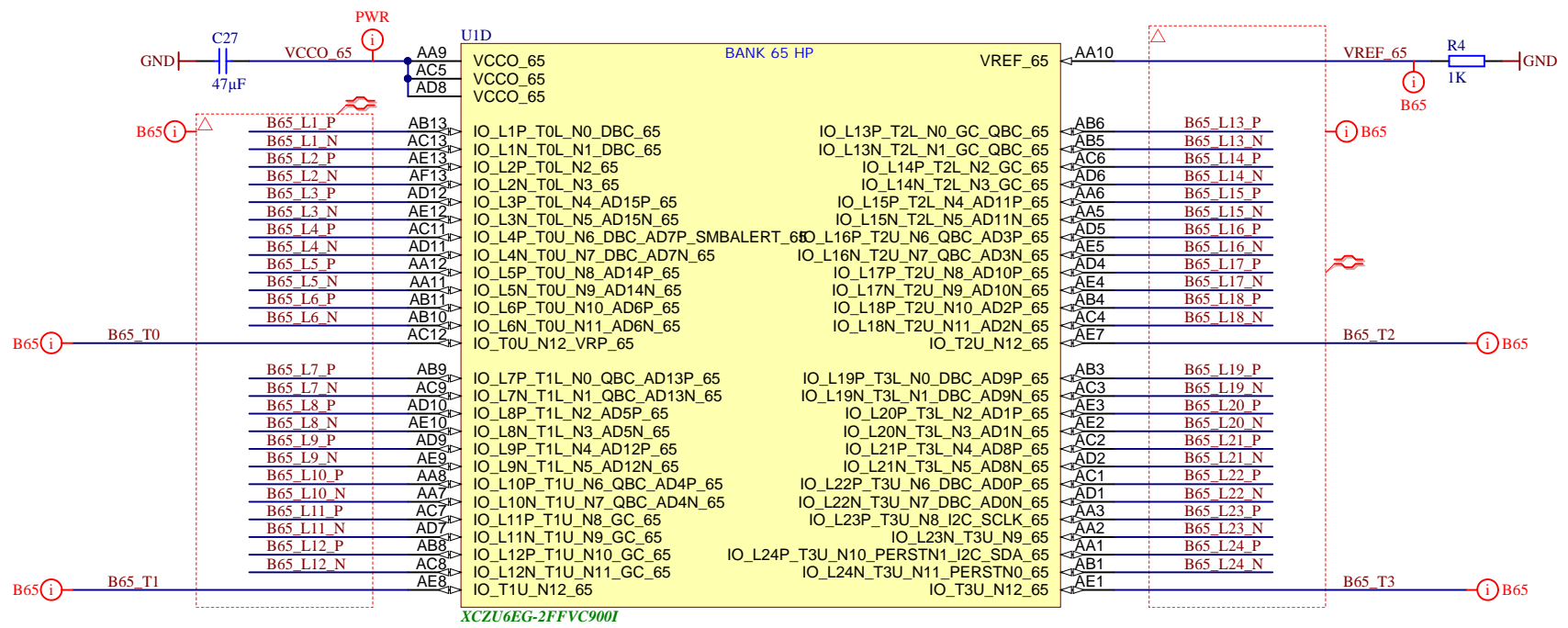


Title: TE0808 - Config		
A4	Number: TE0808 6GI21-L	Rev. 04
Date: 13.08.2017	Copyright: Trenz Electronic GmbH / TT	Page 7 of 28
Filename: CONFIG.SchDoc		

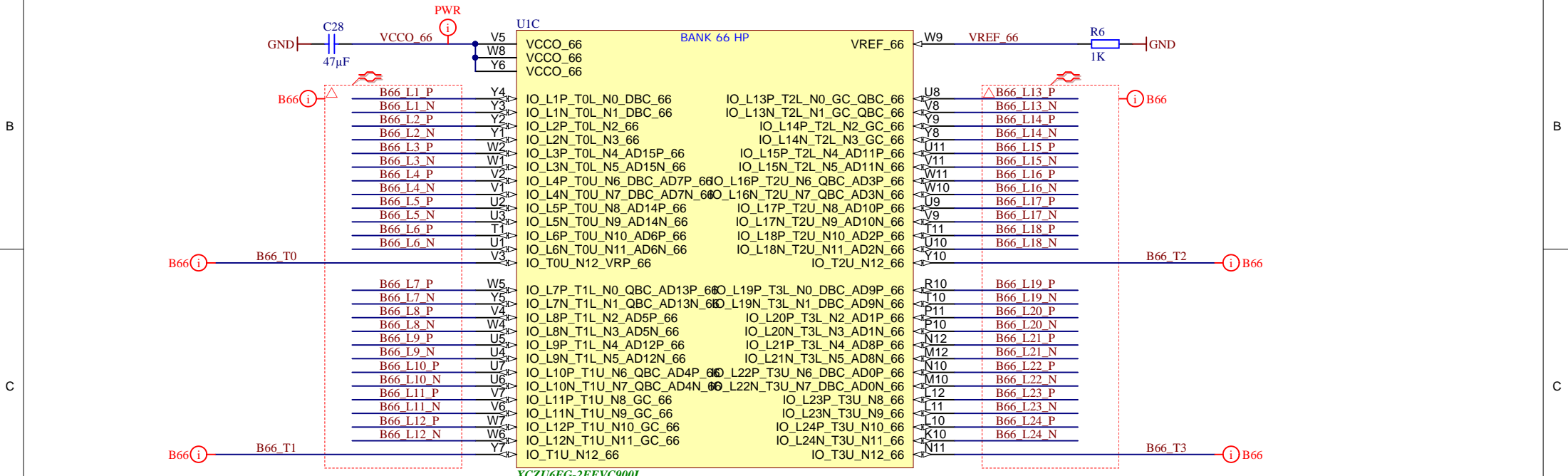


Title: <b>TE0808 - B64</b>		
A4	Number: <b>TE0808 6GI21-L</b>	Rev. <b>04</b>
Date: <b>13.08.2017</b>	Copyright: <b>Trenz Electronic GmbH / TT</b>	Page <b>8</b> of <b>28</b>
Filename: <b>B64.SchDoc</b>		

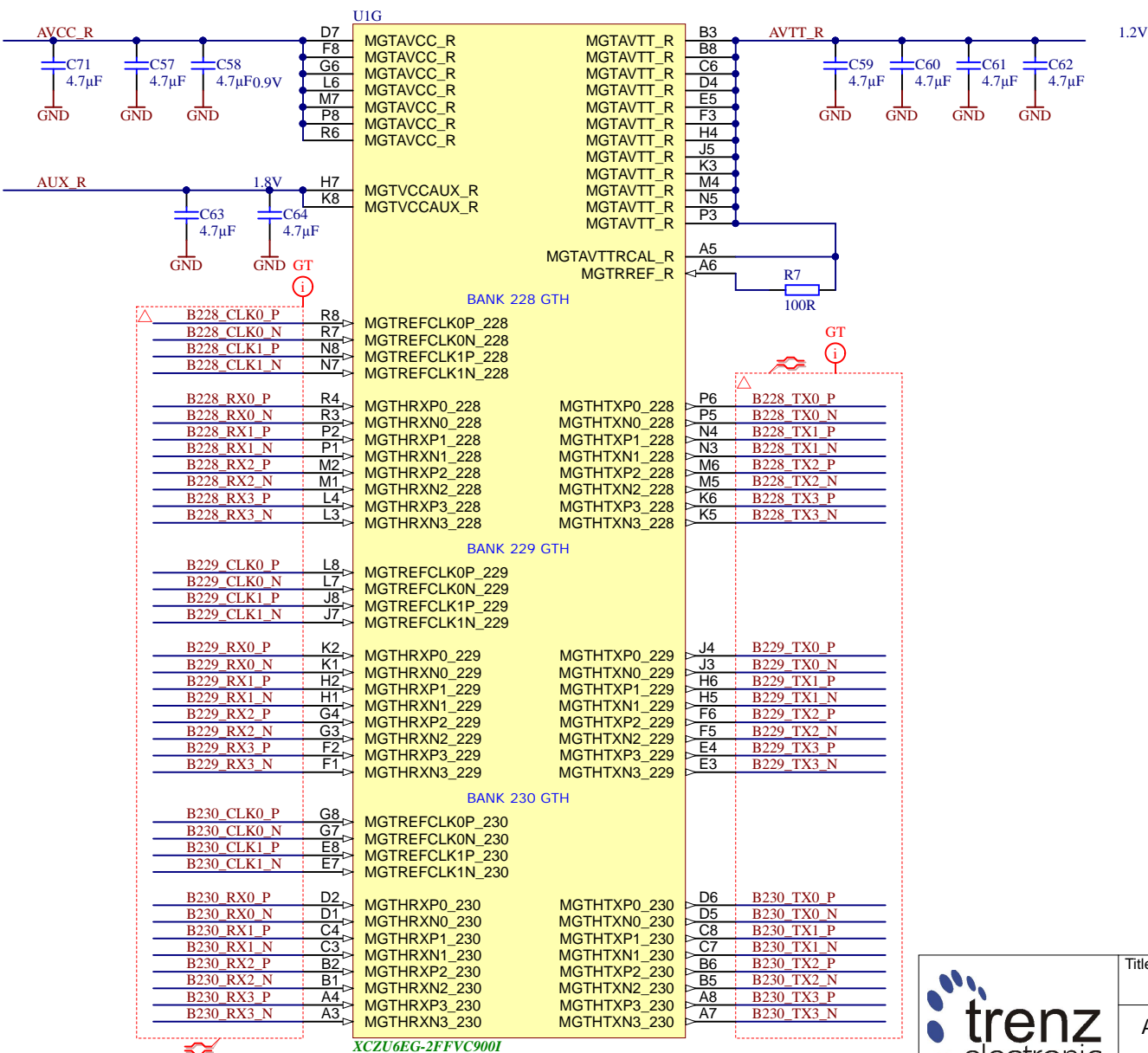




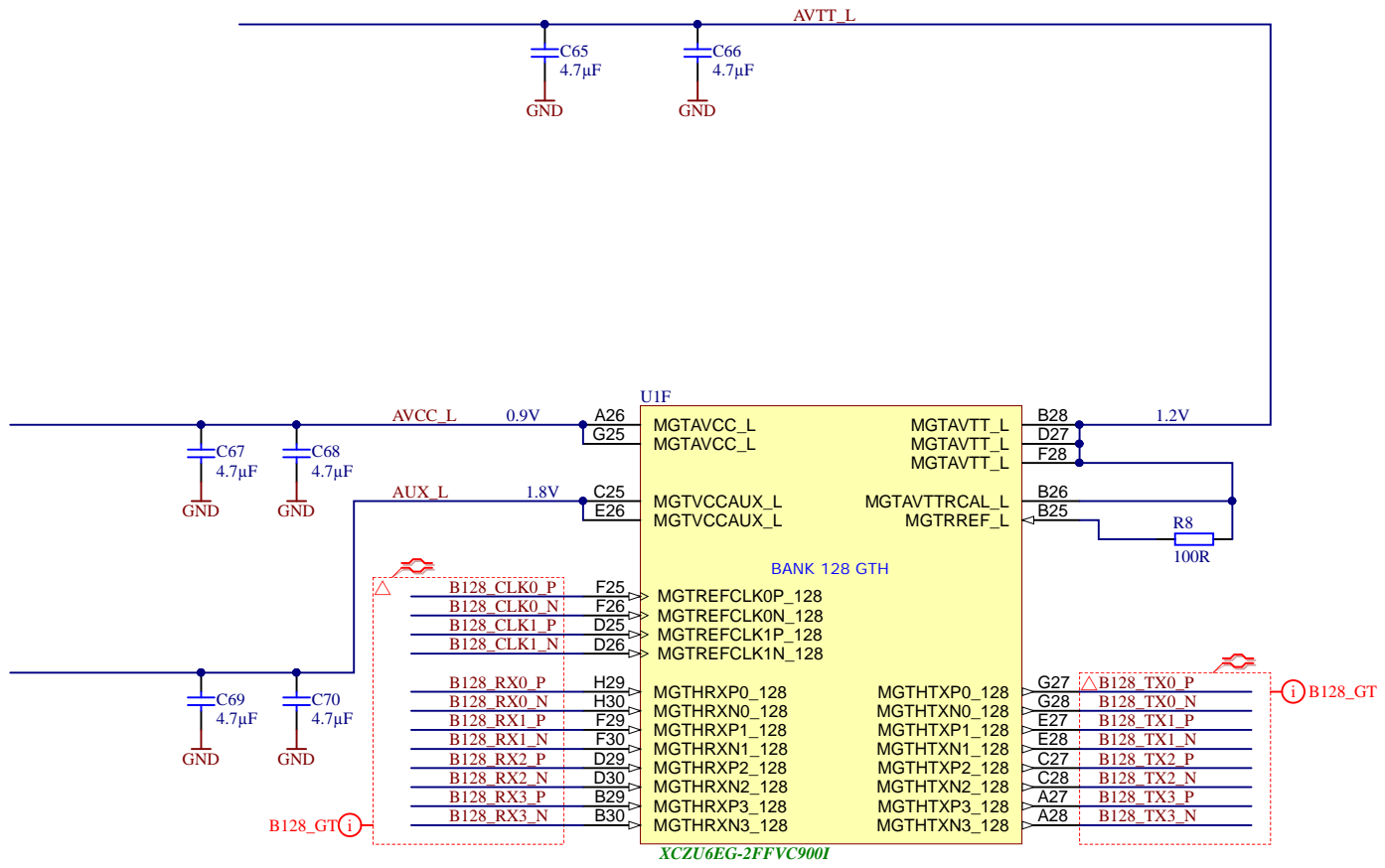
Title: TE0808 - B65		
A4	Number: TE0808 6GI21-L	Rev. 04
Date: 13.08.2017	Copyright: Trenz Electronic GmbH / TT	Page9 of 28
Filename: B65.SchDoc		



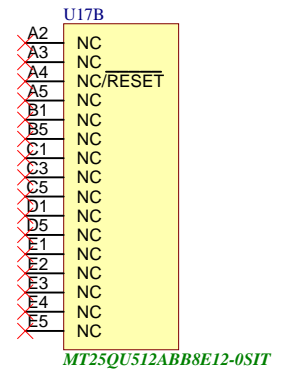
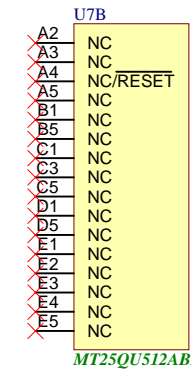
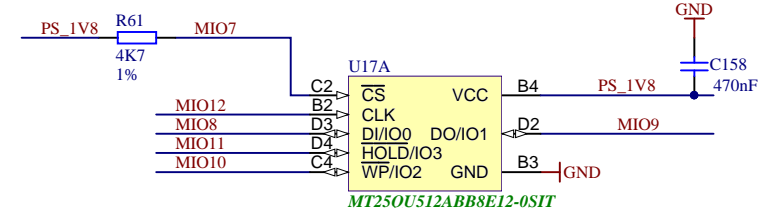
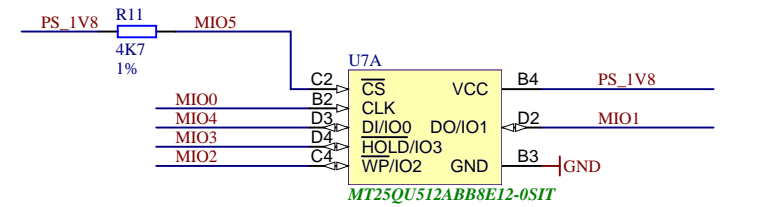
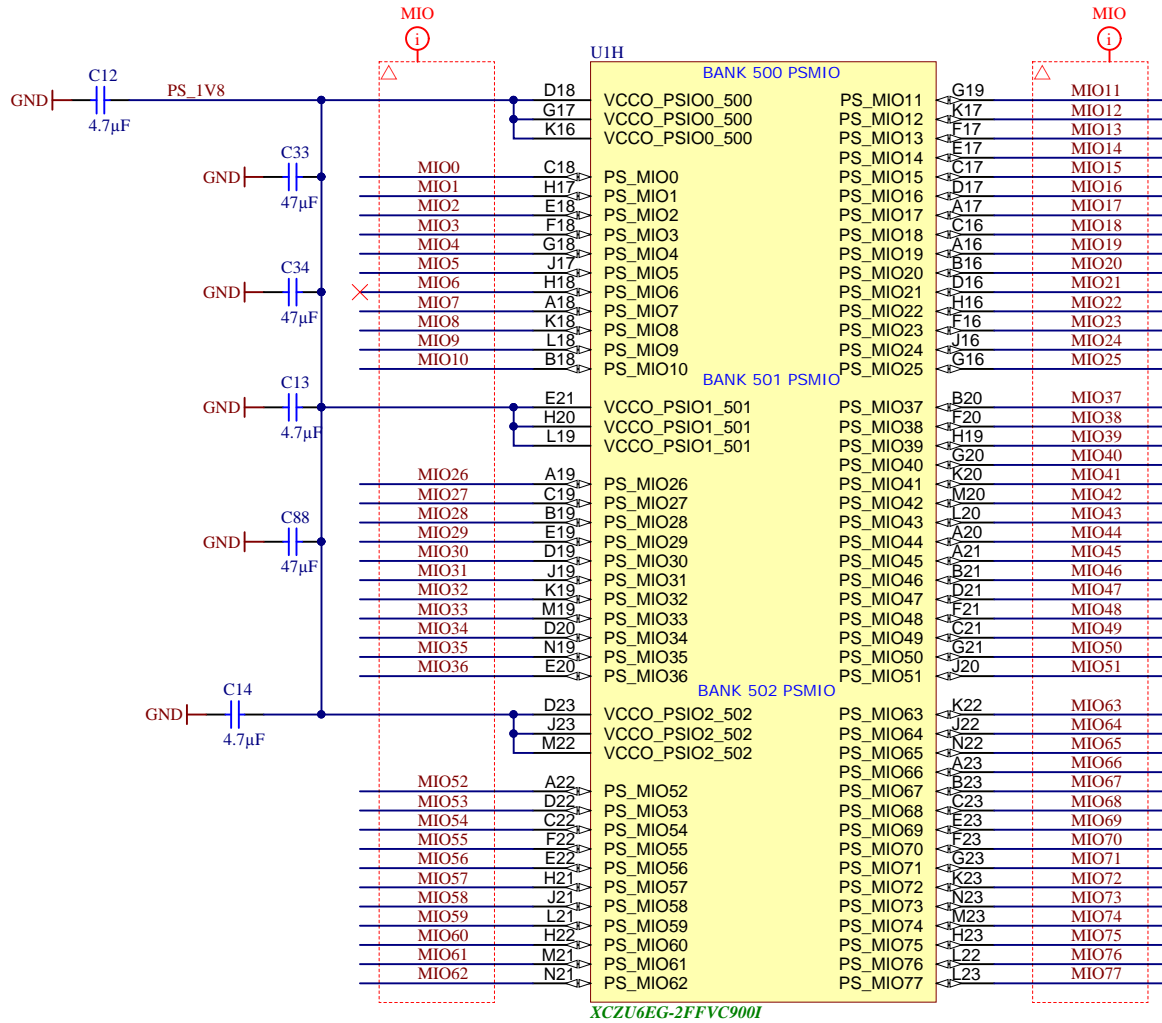
Title: TE0808 - B66		
A4	Number: TE0808 6GI21-L	Rev. 04
Date: 13.08.2017	Copyright: Trenz Electronic GmbH / TT	Page 10 of 28
Filename: B66.SchDoc		



Title: <b>TE0808 - B228GTH_B229GTH_B230GTH</b>		
A4	Number: <b>TE0808 6GI21-L</b>	Rev. <b>04</b>
Date: <b>13.08.2017</b>	Copyright: <b>Trenz Electronic GmbH / TT</b>	Page <b>11</b> of <b>28</b>
Filename: <b>B_GT.SchDoc</b>		



	Title: <b>TE0808 - B128GTH</b>	
	A4	Number: <b>TE0808 6GI21-L</b>
	Date: <b>13.08.2017</b>	Copyright: <b>Trenz Electronic GmbH / TT</b>
	Rev. <b>04</b>	Page <b>12</b> of <b>28</b>
Filename: <b>B_GT_2.SchDoc</b>		



	Title: <b>TE0808 - MIO Banks</b>		
	A4	Number: <b>TE0808 6GI21-L</b>	Rev. <b>04</b>
	Date: <b>13.08.2017</b>	Copyright: <b>Trenz Electronic GmbH / TT</b>	Page <b>13</b> of <b>28</b>
	Filename: <b>B_MIO.SchDoc</b>		

A

B

C

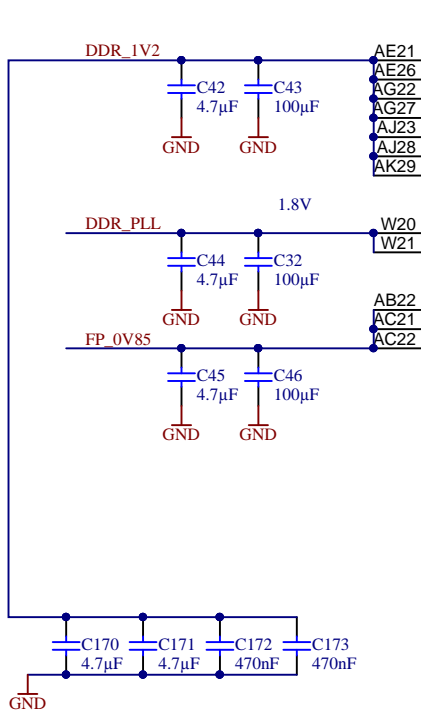
D

A

B

C

D



**UIJ BANK 504 PSDDR**

VCCO_PSDDR_504	PS_DDR_CK0	AJ26	DDR4-CLK0_P
VCCO_PSDDR_504	PS_DDR_CK_N0	AJ27	DDR4-CLK0_N
VCCO_PSDDR_504	PS_DDR_CKE0	AJ25	DDR4-CKE0
VCCO_PSDDR_504		AG23	✗
VCCO_PSDDR_504	PS_DDR_CK1	AG24	✗
VCCO_PSDDR_504	PS_DDR_CK_N1	AH27	✗
VCCO_PSDDR_504		AH27	✗
	PS_DDR_A0	AK25	DDR4-A0
	PS_DDR_A1	AK28	DDR4-A1
	PS_DDR_A2	AK27	DDR4-A2
	PS_DDR_A3	AH24	DDR4-A3
	PS_DDR_A4	AK24	DDR4-A4
	PS_DDR_A5	AJ30	DDR4-A5
	PS_DDR_A6	AE22	DDR4-A6
	PS_DDR_A7	AE25	DDR4-A7
	PS_DDR_A8	AE23	DDR4-A8
	PS_DDR_A9	AE24	DDR4-A9
	PS_DDR_A10	AD22	DDR4-A10
	PS_DDR_A11	AH23	DDR4-A11
	PS_DDR_A12	AF21	DDR4-A12
	PS_DDR_A13	AG21	DDR4-A13
	PS_DDR_A14	AF22	DDR4-A14
	PS_DDR_A15	AF23	DDR4-A15
	PS_DDR_A16	AD21	DDR4-A16
	PS_DDR_A17	AD20	DDR4-A17
	PS_DDR_CS_N0	AJ24	DDR4-CS
	PS_DDR_CS_N1	AG25	✗
	PS_DDR_BA0	AG26	DDR4-BA0
	PS_DDR_BA1	AF25	DDR4-BA1
	PS_DDR_BG0	AF26	DDR4-BG0
	PS_DDR_BG1	AD26	✗
	PS_DDR_PARITY	AC14	DDR4-PAR
	PS_DDR_RAM_RST_N	AC16	DDR4-RESET
	PS_DDR_ACT_N	AC17	DDR4-ACT
	PS_DDR_ALERT_N	AD19	DDR4-ALERT
	PS_DDR_ZQ	AC23	→ R2 240R → GND
	PS_DDR_ODT0	AJ29	DDR4-ODT0
	PS_DDR_ODT1	AH26	✗

*XCZU6EG-2FFVC9001*

**UIK BANK 504 PSDDR**

DQ0	AK17	PS_DDR_DQ0	PS_DDR_DQ32	Y24	DQ32
DQ1	AH17	PS_DDR_DQ1	PS_DDR_DQ33	Y25	DQ33
DQ2	AJ17	PS_DDR_DQ2	PS_DDR_DQ34	AA25	DQ34
DQ3	AH16	PS_DDR_DQ3	PS_DDR_DQ35	AA26	DQ35
DQ4	AK15	PS_DDR_DQ4	PS_DDR_DQ36	AC26	DQ36
DQ5	AK14	PS_DDR_DQ5	PS_DDR_DQ37	AD24	DQ37
DQ6	AJ14	PS_DDR_DQ6	PS_DDR_DQ38	AD25	DQ38
DQ7	AH14	PS_DDR_DQ7	PS_DDR_DQ39	AC24	DQ39
DQ8	AK19	PS_DDR_DQ8	PS_DDR_DQ40	W27	DQ40
DQ9	AK18	PS_DDR_DQ9	PS_DDR_DQ41	W26	DQ41
DQ10	AJ19	PS_DDR_DQ10	PS_DDR_DQ42	W24	DQ42
DQ11	AH19	PS_DDR_DQ11	PS_DDR_DQ43	W25	DQ43
DQ12	AK21	PS_DDR_DQ12	PS_DDR_DQ44	U26	DQ44
DQ13	AK22	PS_DDR_DQ13	PS_DDR_DQ45	U27	DQ45
DQ14	AH21	PS_DDR_DQ14	PS_DDR_DQ46	U25	DQ46
DQ15	AJ22	PS_DDR_DQ15	PS_DDR_DQ47	U24	DQ47
DQ16	AG14	PS_DDR_DQ16	PS_DDR_DQ48	AB30	DQ48
DQ17	AG15	PS_DDR_DQ17	PS_DDR_DQ49	AB29	DQ49
DQ18	AG16	PS_DDR_DQ18	PS_DDR_DQ50	AB30	DQ50
DQ19	AF16	PS_DDR_DQ19	PS_DDR_DQ51	AB28	DQ51
DQ20	AD14	PS_DDR_DQ20	PS_DDR_DQ52	AC27	DQ52
DQ21	AD16	PS_DDR_DQ21	PS_DDR_DQ53	AD27	DQ53
DQ22	AD15	PS_DDR_DQ22	PS_DDR_DQ54	AD29	DQ54
DQ23	AD17	PS_DDR_DQ23	PS_DDR_DQ55	AD30	DQ55
DQ24	AE17	PS_DDR_DQ24	PS_DDR_DQ56	AA28	DQ56
DQ25	AE18	PS_DDR_DQ25	PS_DDR_DQ57	AA27	DQ57
DQ26	AE20	PS_DDR_DQ26	PS_DDR_DQ58	Y28	DQ58
DQ27	AE19	PS_DDR_DQ27	PS_DDR_DQ59	Y27	DQ59
DQ28	AG18	PS_DDR_DQ28	PS_DDR_DQ60	W30	DQ60
DQ29	AH18	PS_DDR_DQ29	PS_DDR_DQ61	V30	DQ61
DQ30	AG19	PS_DDR_DQ30	PS_DDR_DQ62	V28	DQ62
DQ31	AG20	PS_DDR_DQ31	PS_DDR_DQ63	V29	DQ63
		PS_DDR_DQ64	PS_DDR_DQ65	AE27	✗
		PS_DDR_DQ66	PS_DDR_DQ67	AF28	✗
		PS_DDR_DQ68	PS_DDR_DQ69	AG28	✗
		PS_DDR_DQ70	PS_DDR_DQ71	AE28	✗
		PS_DDR_DQ72	PS_DDR_DQ73	AH30	✗
		PS_DDR_DQ74	PS_DDR_DQ75	AF30	✗
		PS_DDR_DQ76	PS_DDR_DQ77	AG30	✗
		PS_DDR_DQ78	PS_DDR_DQ79	AE30	✗
		PS_DDR_DQ80	PS_DDR_DQ81	AE30	✗
		PS_DDR_DQ82	PS_DDR_DQ83	AK16	DDR4-DM0
		PS_DDR_DQ84	PS_DDR_DQ85	AK20	DDR4-DM1
		PS_DDR_DQ86	PS_DDR_DQ87	AE14	DDR4-DM2
		PS_DDR_DQ88	PS_DDR_DQ89	AF20	DDR4-DM3
		PS_DDR_DQ90	PS_DDR_DQ91	AB26	DDR4-DM4
		PS_DDR_DQ92	PS_DDR_DQ93	V24	DDR4-DM5
		PS_DDR_DQ94	PS_DDR_DQ95	AC30	DDR4-DM6
		PS_DDR_DQ96	PS_DDR_DQ97	Y30	DDR4-DM7
		PS_DDR_DQ98	PS_DDR_DQ99	AE29	✗

*XCZU6EG-2FFVC9001*



Title: <b>TE0808 - PS_DDR</b>		
A4	Number: <b>TE0808 6GI21-L</b>	Rev. <b>04</b>
Date: <b>13.08.2017</b>	Copyright: <b>Trenz Electronic GmbH / TT</b>	Page <b>14</b> of <b>28</b>
Filename: <b>PS_DDR.SchDoc</b>		

1

2

3

4

A

A

B

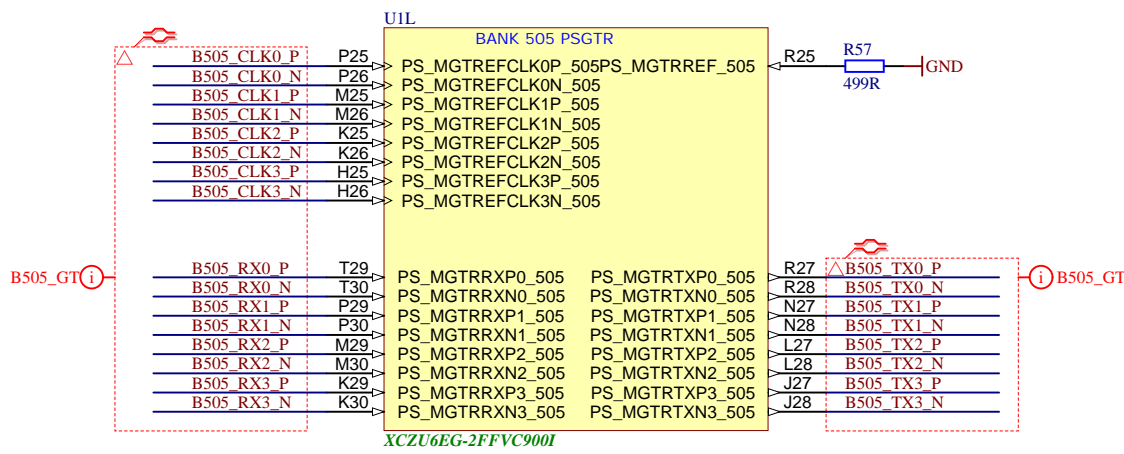
B

C

C

D

D



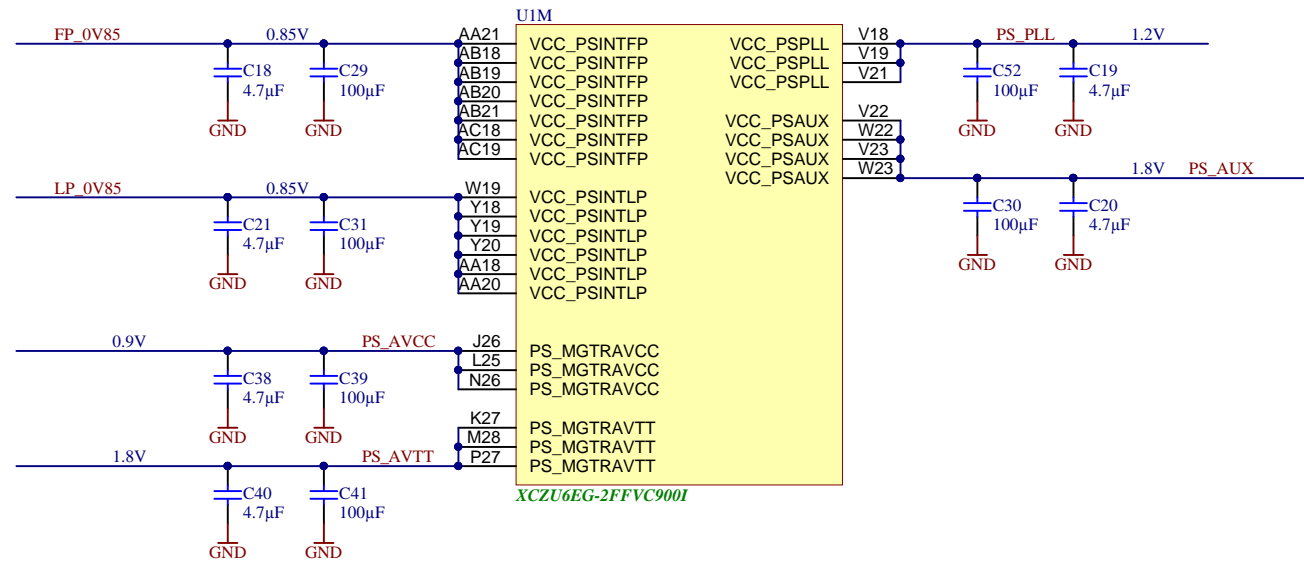
	Title: <b>TE0808 - PS_GT</b>		
	A4	Number: <b>TE0808 6GI21-L</b>	Rev. <b>04</b>
	Date: <b>13.08.2017</b>	Copyright: <b>Trenz Electronic GmbH / TT</b>	Page <b>15</b> of <b>28</b>
	Filename: <b>B_PS_GT.SchDoc</b>		

1

2

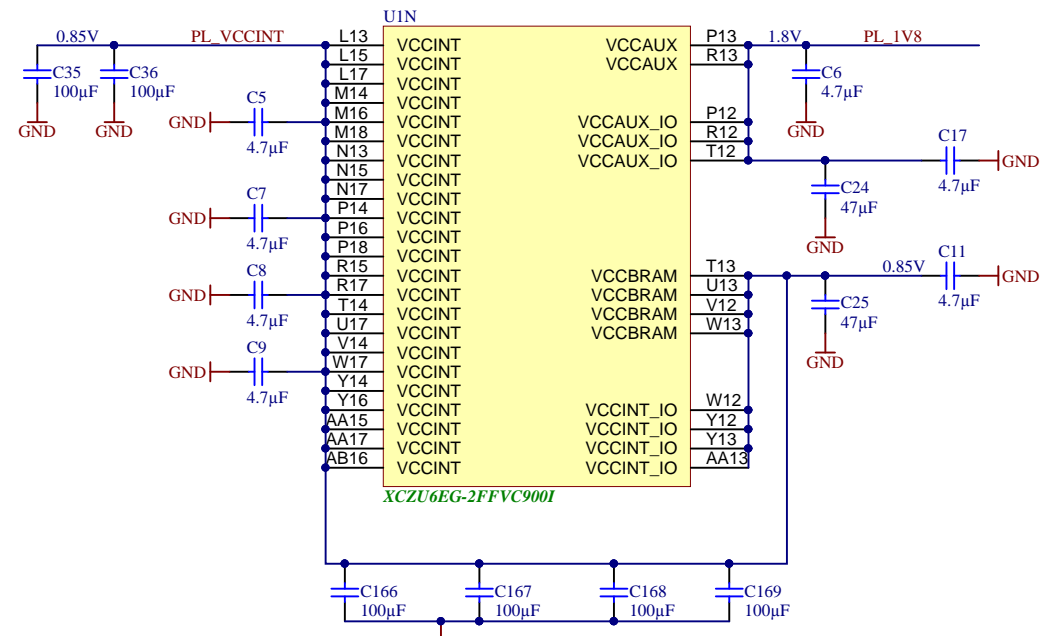
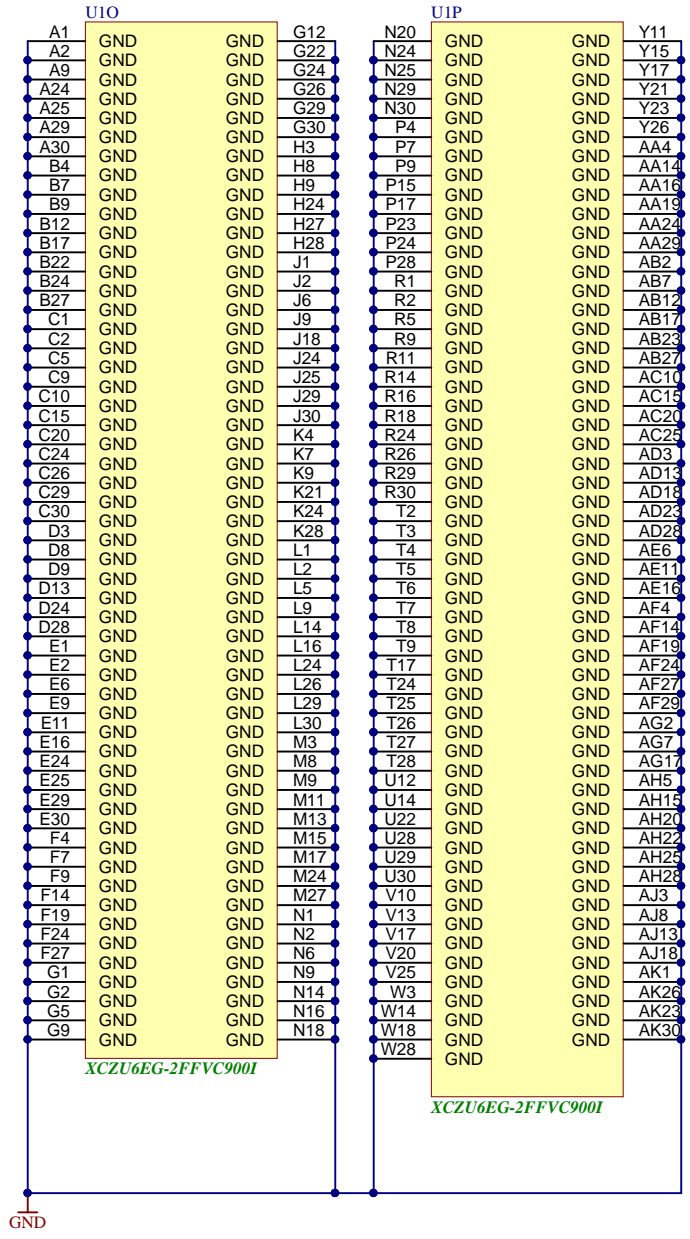
3

4



Title: TE0808 - ZU_PS_POWER		
A4	Number: TE0808 6GI21-L	Rev. 04
Date: 13.08.2017	Copyright: Trenz Electronic GmbH / TT	Page 16 of 28
Filename: ZU_PS_POWER.SchDoc		





Title: TE0808 - ZU_POWER		
A4	Number: TE0808 6GI21-L	Rev. 04
Date: 13.08.2017	Copyright: Trenz Electronic GmbH / TT	Page 17 of 28
Filename: ZU_POWER.SchDoc		

1

2

3

4

A

A

B

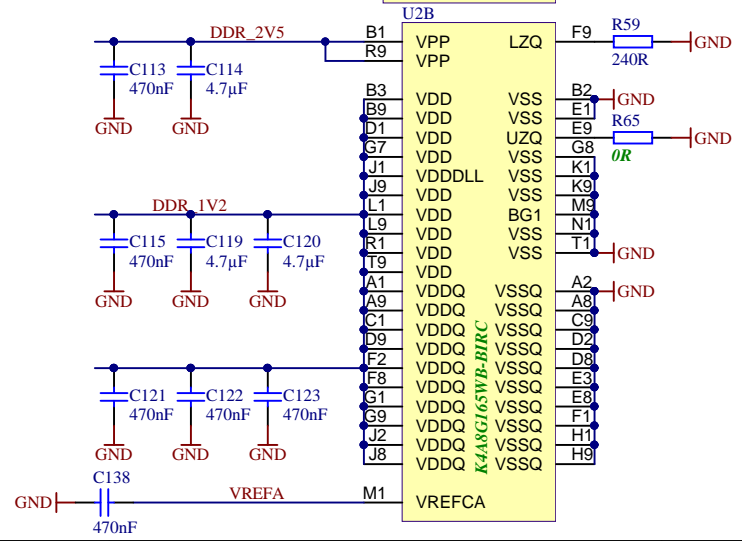
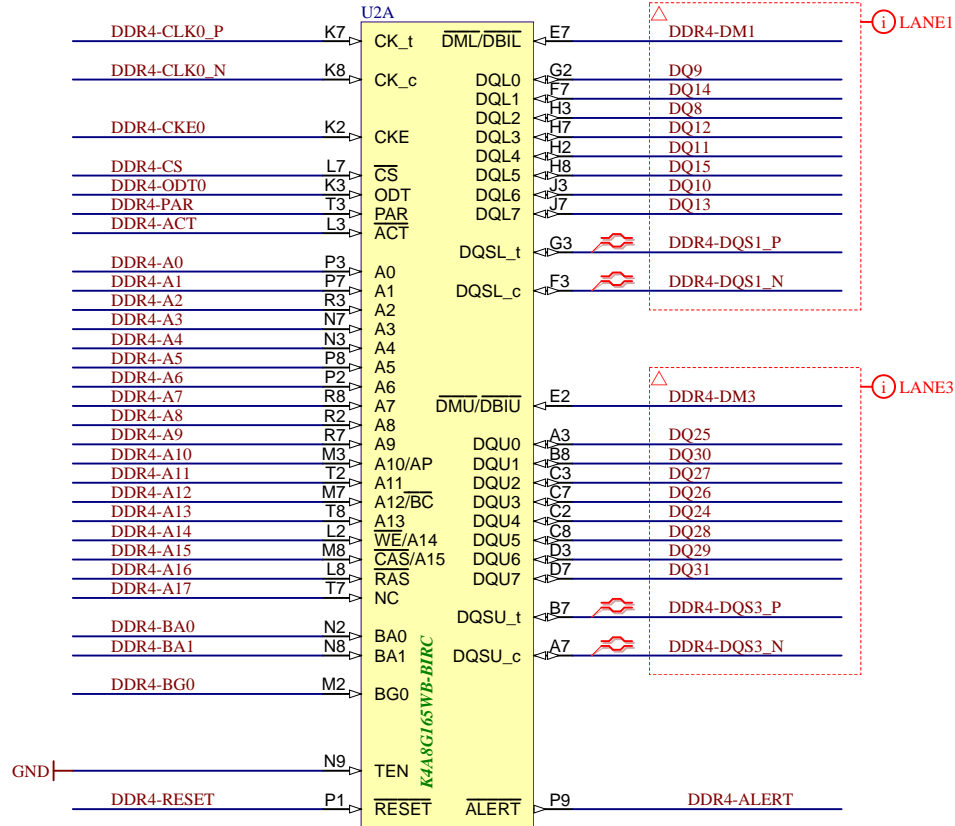

B

C

C

D

D

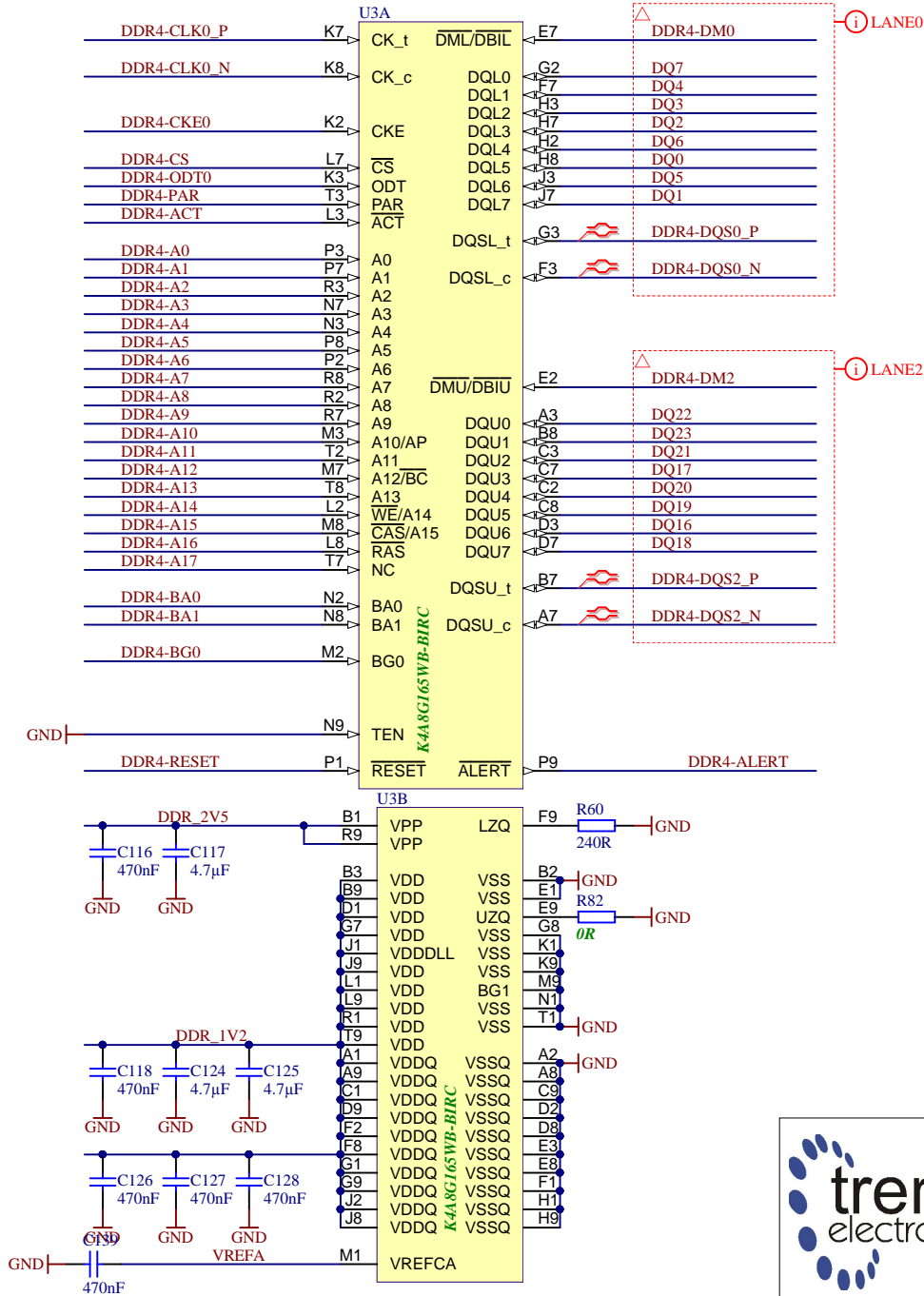
Title: TE0808 - DDR4_1_RAM		
A4	Number: TE0808 6GI21-L	Rev. 04
Date: 13.08.2017	Copyright: Trenz Electronic GmbH / TT	Page 18 of 28
Filename: DDR4-RAM.SchDoc		

1

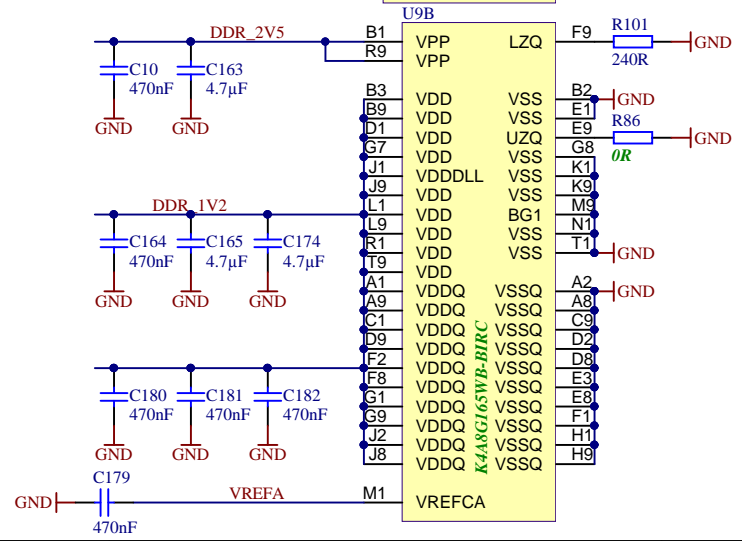
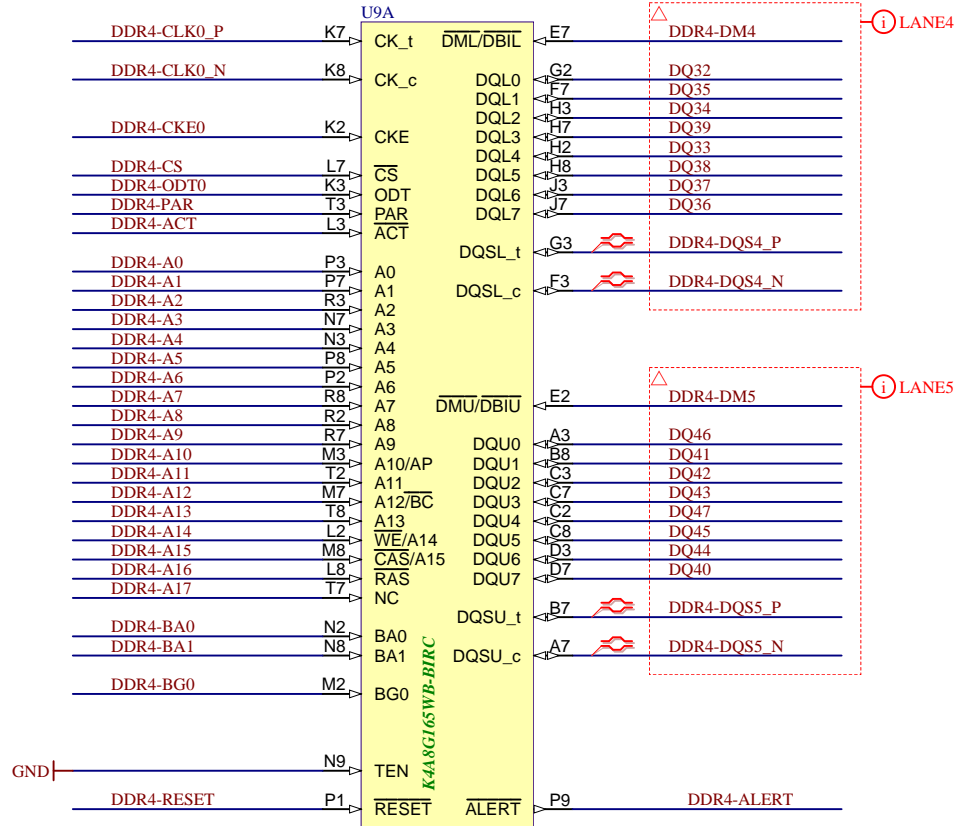
2

3

4



Title: TE0808 - DDR4_2_RAM		
A4	Number: TE0808 6GI21-L	Rev. 04
Date: 13.08.2017	Copyright: Trenz Electronic GmbH / TT	Page 19 of 28
Filename: DDR4-RAM_2.SchDoc		



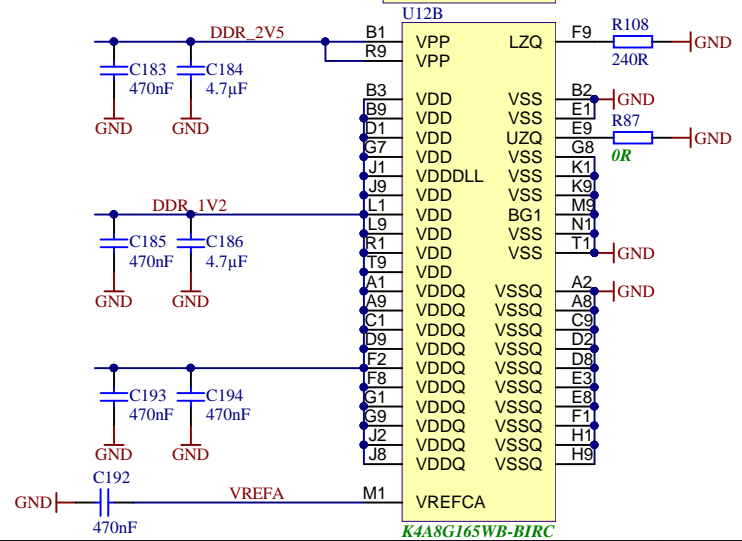
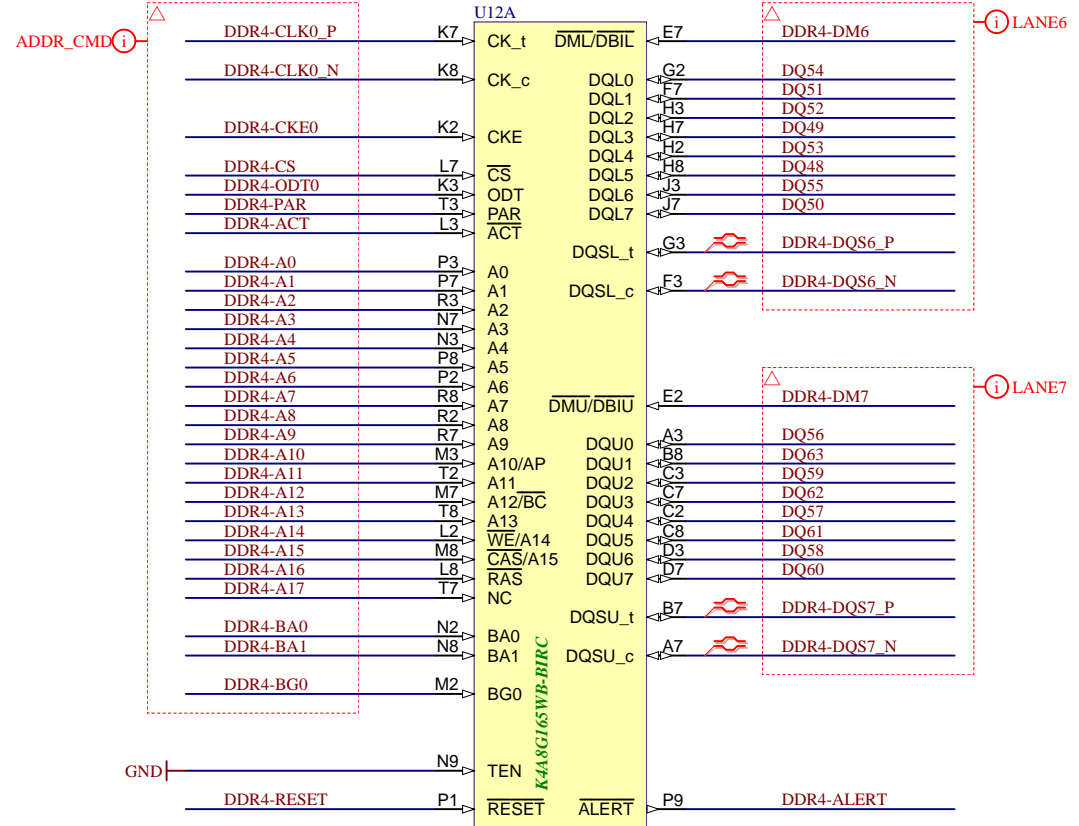
Title: TE0808 - DDR4_3_RAM		
A4	Number: TE0808 6GI21-L	Rev. 04
Date: 13.08.2017	Copyright: Trenz Electronic GmbH / TT	Page20 of 28
Filename: DDR4-RAM_3.SchDoc		

1

2

3

4



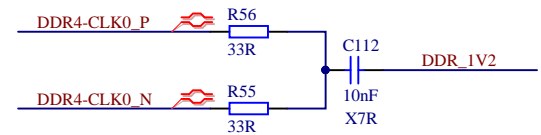
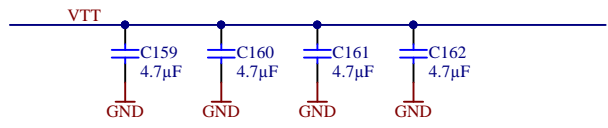
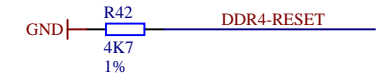
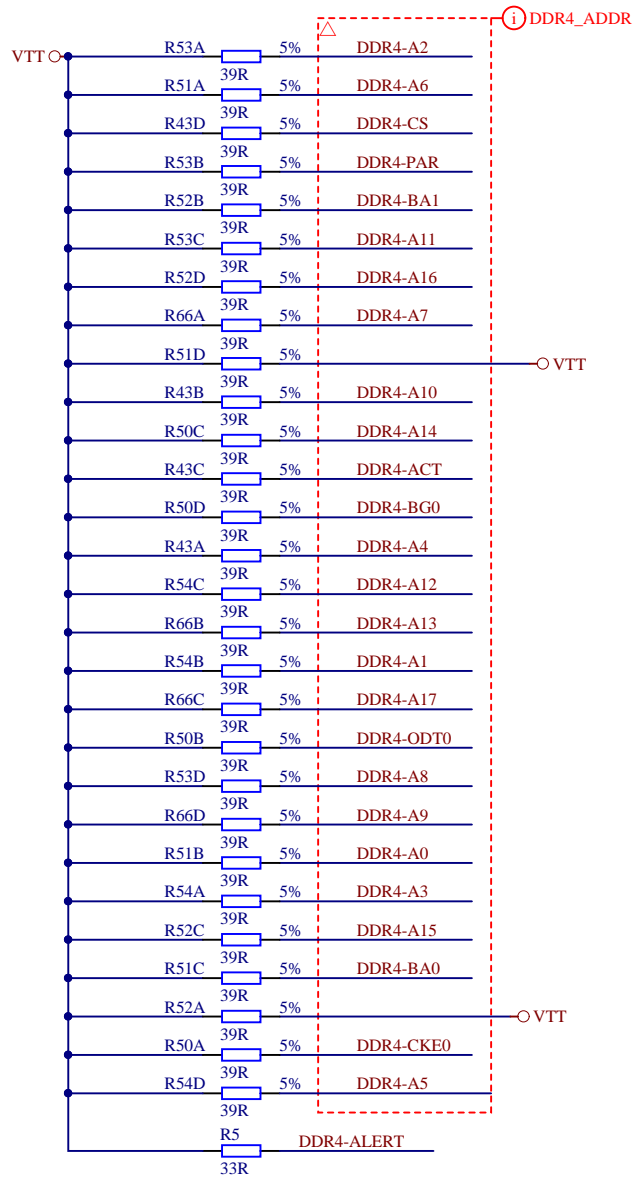
Title: <b>TE0808 - DDR4_4_RAM</b>		
A4	Number: <b>TE0808 6GI21-L</b>	Rev. <b>04</b>
Date: <b>13.08.2017</b>	Copyright: <b>Trenz Electronic GmbH / TT</b>	Page <b>21</b> of <b>28</b>
Filename: <b>DDR4-RAM_4.SchDoc</b>		

1

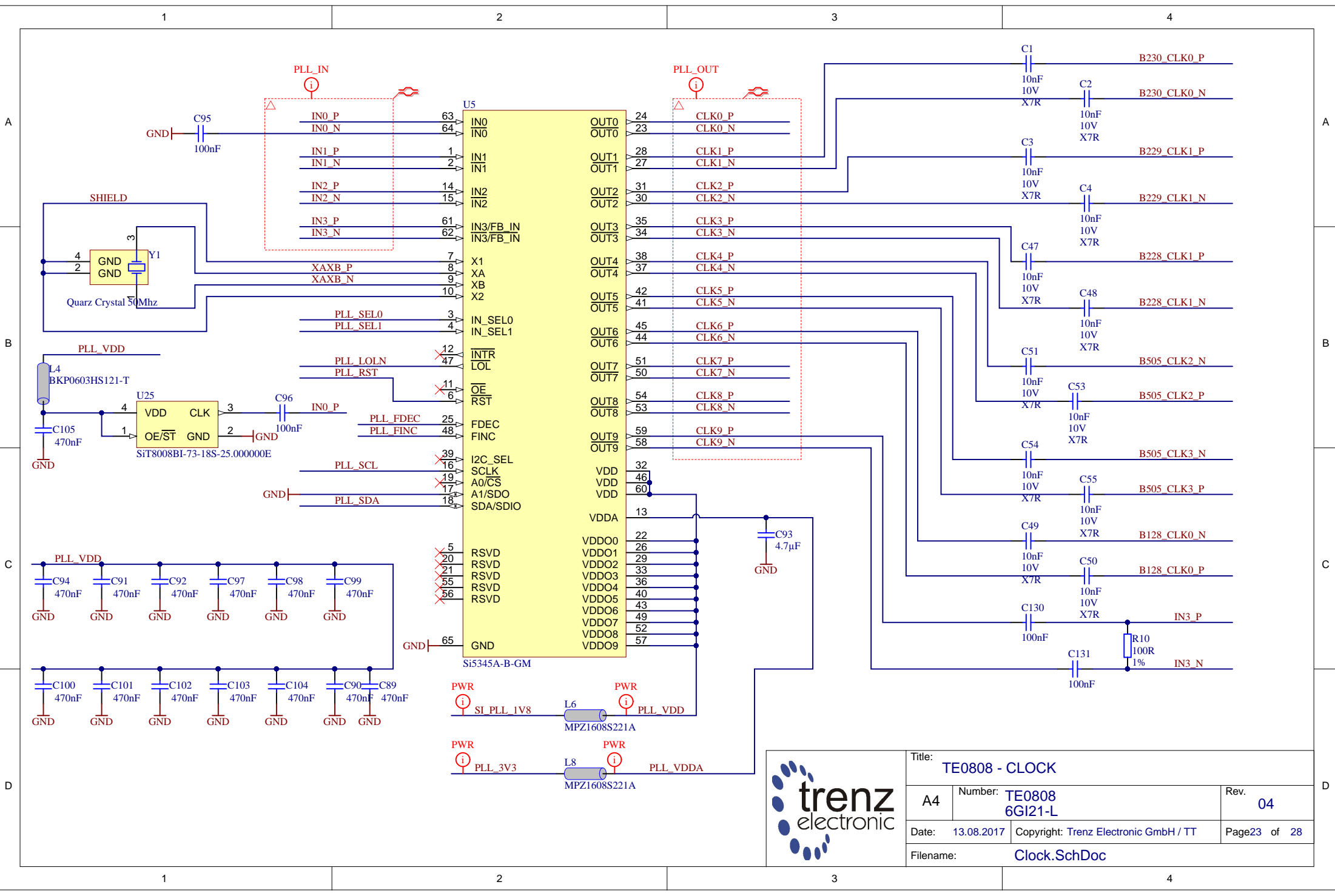
2

3

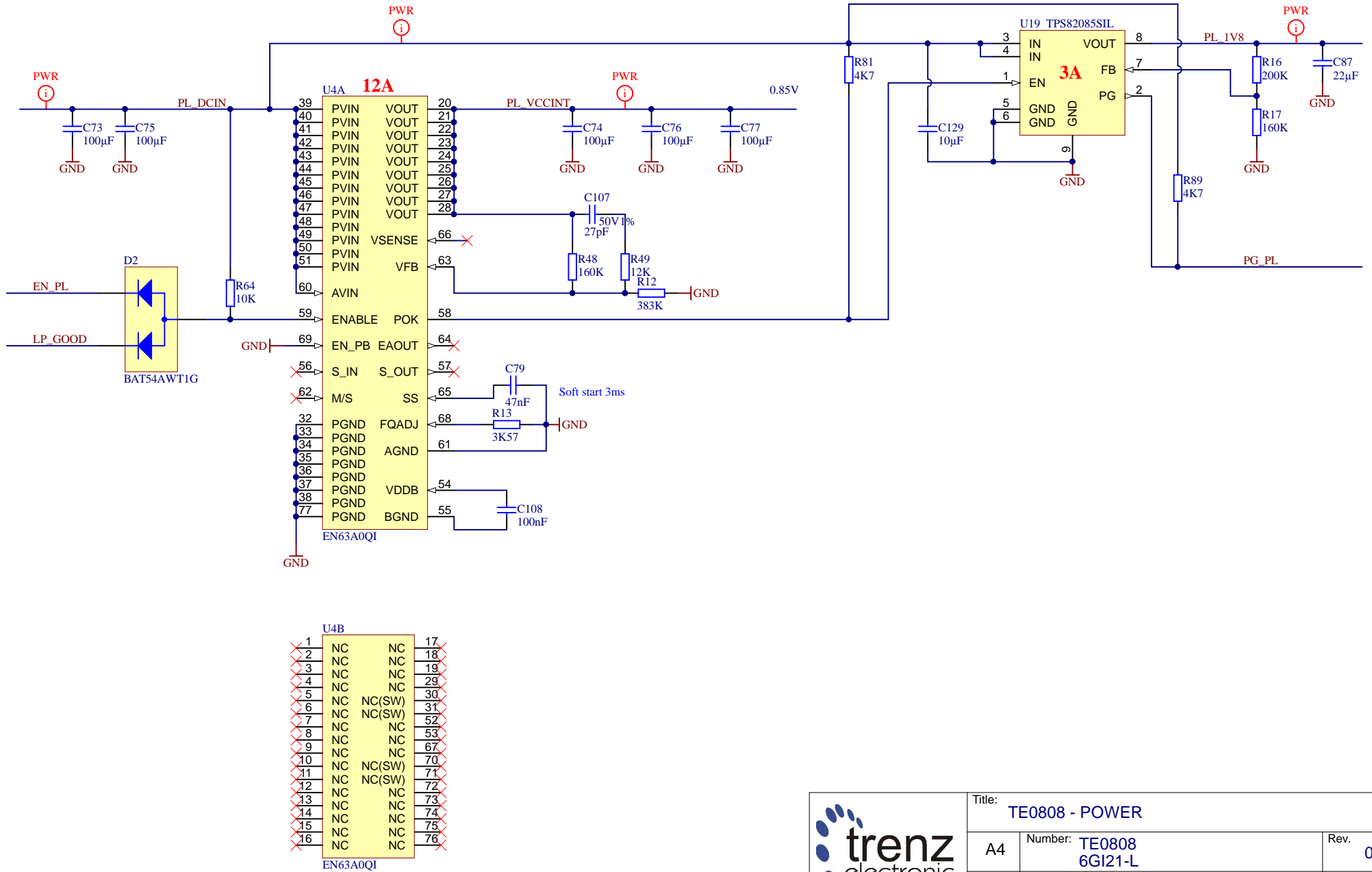
4




Title: TE0808 - DDR4_TERM		
A4	Number: TE0808 6GI21-L	Rev. 04
Date: 13.08.2017	Copyright: Trenz Electronic GmbH / TT	Page 22 of 28
Filename: DDR4-TERM.SchDoc		

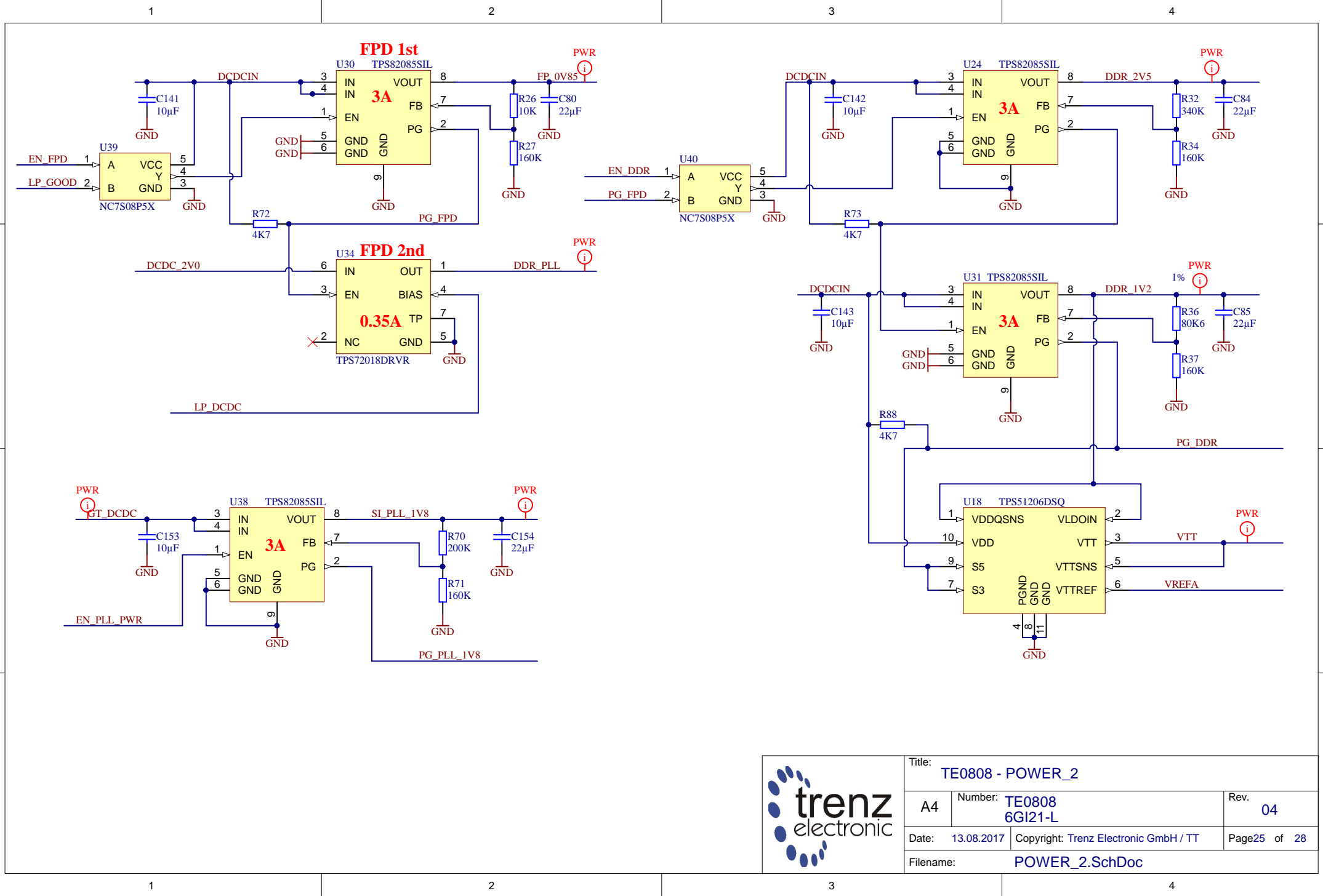



Title: TE0808 - CLOCK		
A4	Number: TE0808 6GI21-L	Rev. 04
Date: 13.08.2017	Copyright: Trenz Electronic GmbH / TT	Page 23 of 28
Filename: Clock.SchDoc		

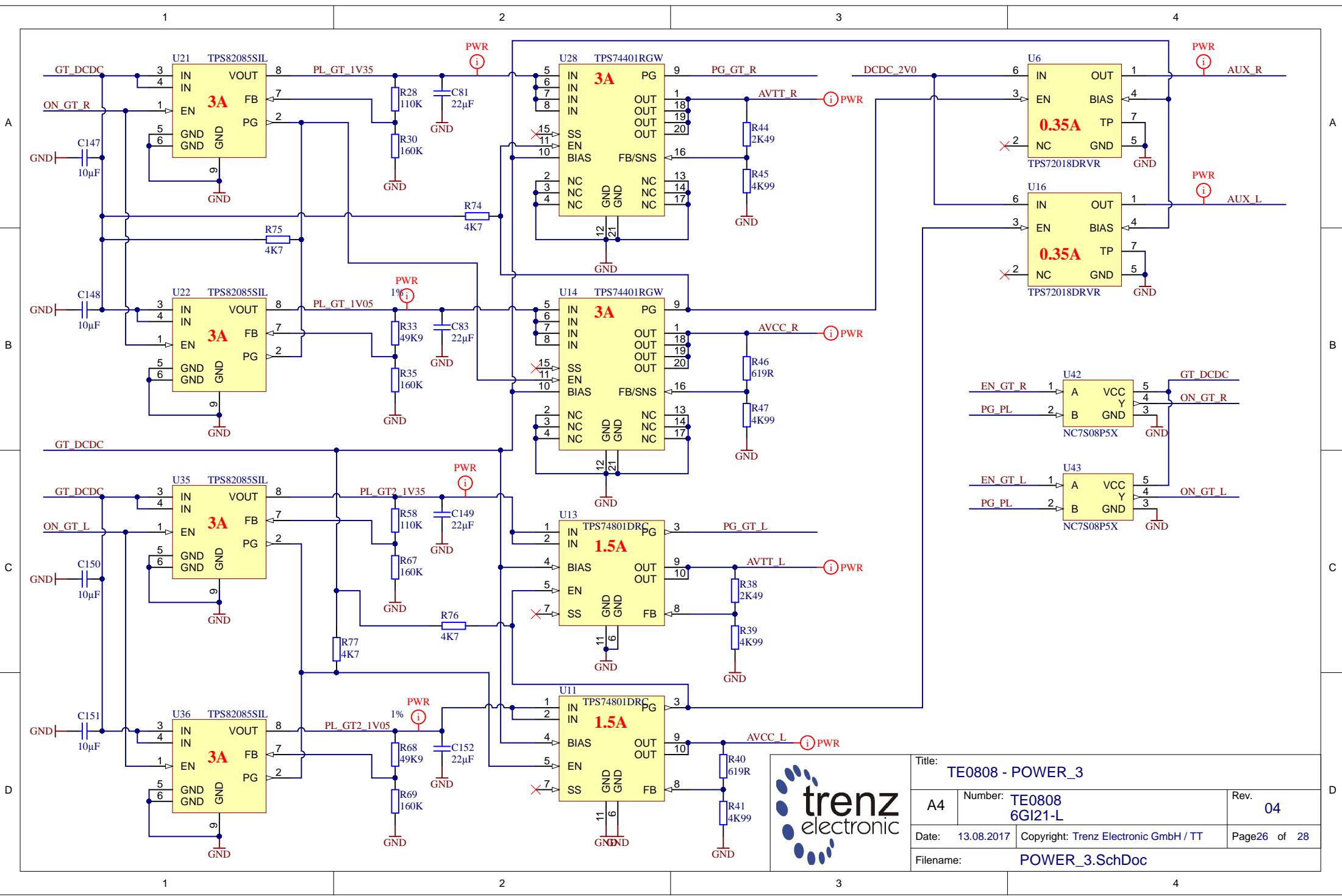


	Title: TE0808 - POWER		
	A4	Number: TE0808 6GI21-L	Rev. 04
	Date: 13.08.2017	Copyright: Trenz Electronic GmbH / TT	Page 24 of 28
	Filename: POWER.SchDoc		

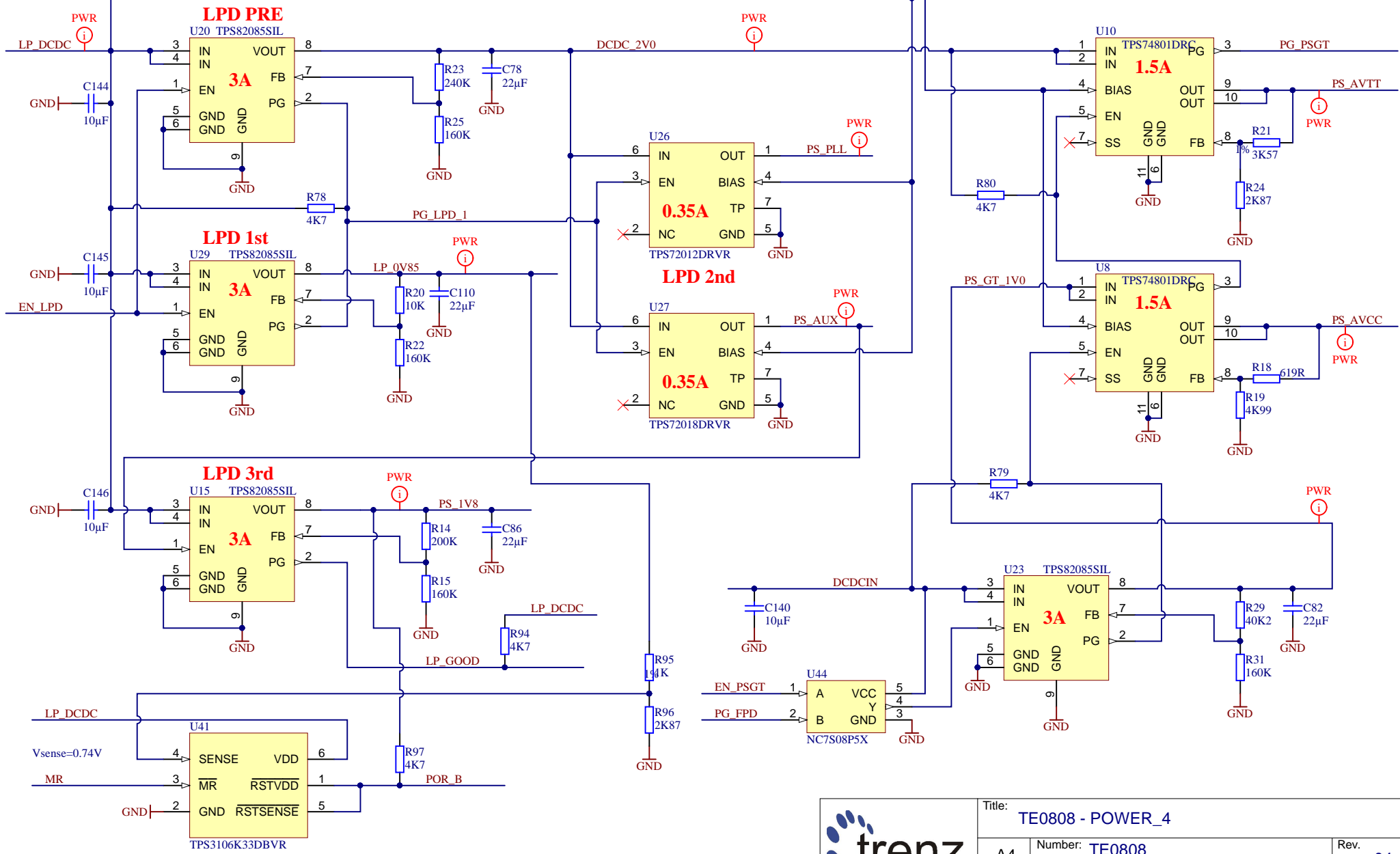





		Title: TE0808 - POWER_2	
		A4	Number: TE0808 6GI21-L
Date: 13.08.2017		Copyright: Trenz Electronic GmbH / TT	
Page 25 of 28		Page 25 of 28	
Filename: POWER_2.SchDoc			



Title: TE0808 - POWER_3		
A4	Number: TE0808 6GI21-L	Rev. 04
Date: 13.08.2017	Copyright: Trenz Electronic GmbH / TT	Page 26 of 28
Filename: POWER_3.SchDoc		



			Title: TE0808 - POWER_4	
			A4	Number: TE0808 6GI21-L
Date: 13.08.2017		Copyright: Trenz Electronic GmbH / TT		Page 27 of 28
Filename: POWER_4.SchDoc				

1

2

3

4

CHANGES REV03 to REV04

- 1) added resistors R65,R82,R86,R87 (240R) for each DDR4-chip for supporting DDP DDR4 chips
- 2) full update lib

A

A

B


B

C

C

D

D

	Title: <b>TE0808 - Changes list</b>		
	A4	Number: <b>TE0808 6GI21-L</b>	Rev. <b>04</b>
	Date: <b>13.08.2017</b>	Copyright: <b>Trenz Electronic GmbH</b>	Page <b>28</b> of <b>28</b>
	Filename: <b>Revision_Changes.SchDoc</b>		

1

2

3

4