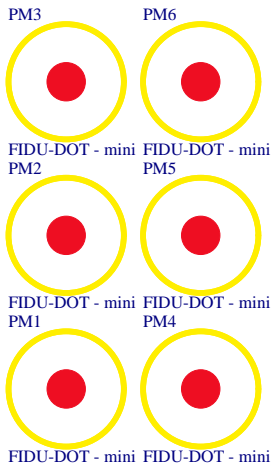
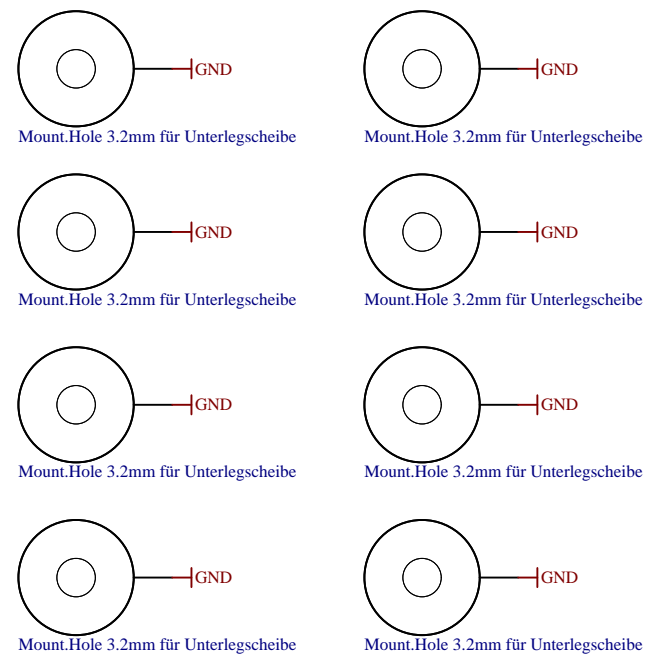


U_J1 J1.SchDoc	U_B_PS_GT B_PS_GT.SchDoc	U_DDR4-TERM DDR4-TERM.SchDoc
U_J2 J2.SchDoc	U_PS_DDR PS_DDR.SchDoc	U_ZU_POWER ZU_POWER.SchDoc
U_J3 J3.SchDoc	U_B_MIO B_MIO.SchDoc	U_ZU_PS_POWER ZU_PS_POWER.SchDoc
U_J4 J4.SchDoc	U_B_HD B_HD.SchDoc	U_POWER POWER.SchDoc
U_DDR4-TERM DDR4-TERM.SchDoc	U_Clock Clock.SchDoc	U_POWER_2 POWER_2.SchDoc
U_B64 B64.SchDoc	U_CONFIG CONFIG.SchDoc	U_POWER_3 POWER_3.SchDoc
U_B65 B65.SchDoc	U_DDR4-RAM DDR4-RAM.SchDoc	U_POWER_4 POWER_4.SchDoc
U_B66 B66.SchDoc	U_DDR4-RAM_2 DDR4-RAM_2.SchDoc	U_RC Revision_Changes.SchDoc
U_B_GT B_GT.SchDoc	U_DDR4-RAM_3 DDR4-RAM_3.SchDoc	
U_B_GT_2 B_GT_2.SchDoc	U_DDR4-RAM_4 DDR4-RAM_4.SchDoc	

Special notes:



Serial
Serialnummer 6,3 x 6.3mm

MECHI
TE Address Overlay

LOGO ADDRESS

LOGO1
TE Logo PRINT Layer

LOGO PRINT

Design drawn by:	VY
Checked by:	MR
Assembly variant:	6BE21-A
Created by:	VY
Modified by:	VY
Modified at:	2019-07-08



Title: TE0808		
A4	Number: TE0808 6BE21-A	Rev. 05
Date: 2020-04-02	Copyright: Trenz Electronic GmbH / TT	Page 1 of 28
Filename: TE0808.SchDoc		

1

2

3

4

A

A

B

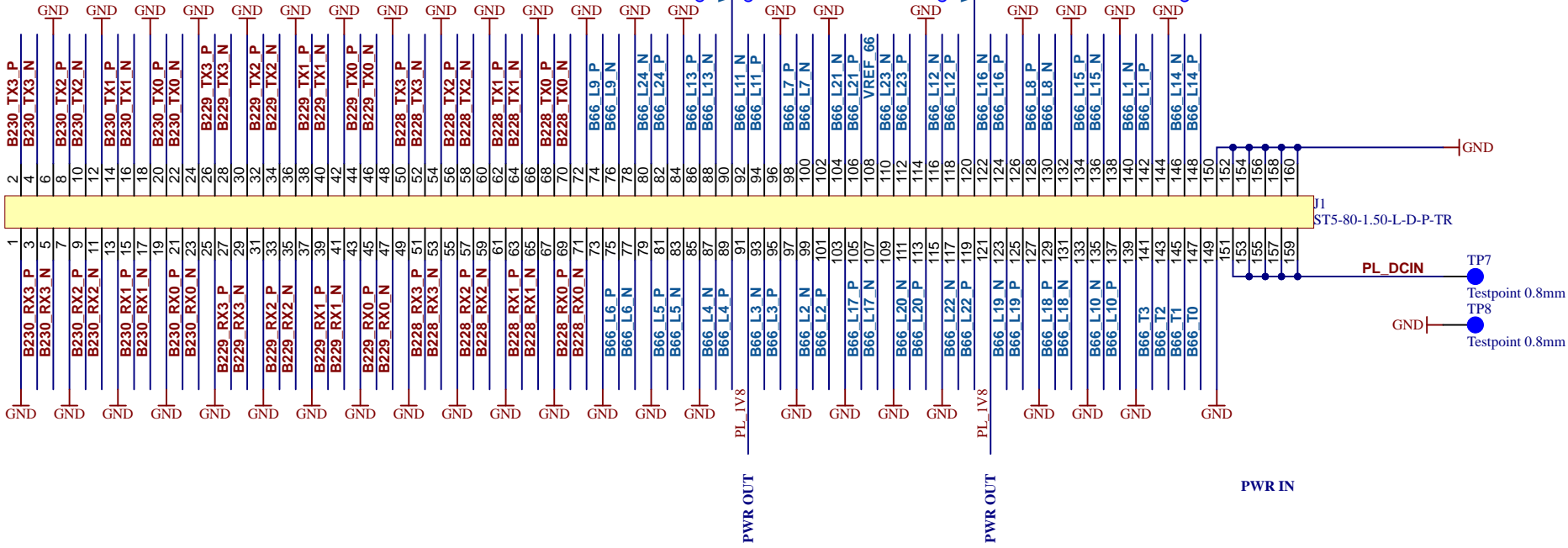
B

C

C

D

D



Title: TE0808 - Connector J1		
A4	Number: TE0808 6BE21-A	Rev. 05
Date: 2020-04-02	Copyright: Trenz Electronic GmbH / TT	Page 2 of 28
Filename: J1.SchDoc		

1

2

3

4

1

2

3

4

A

A

B

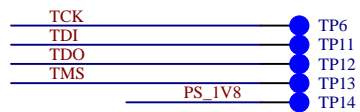
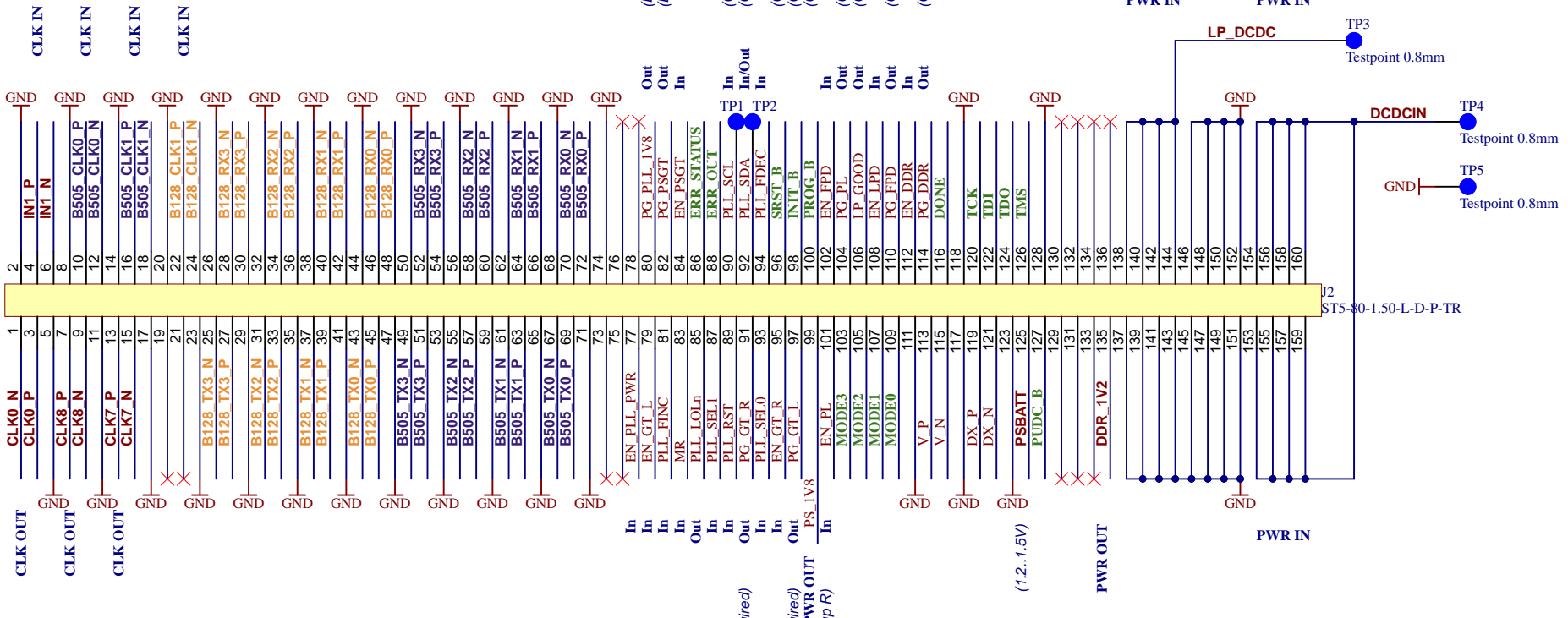
B

C

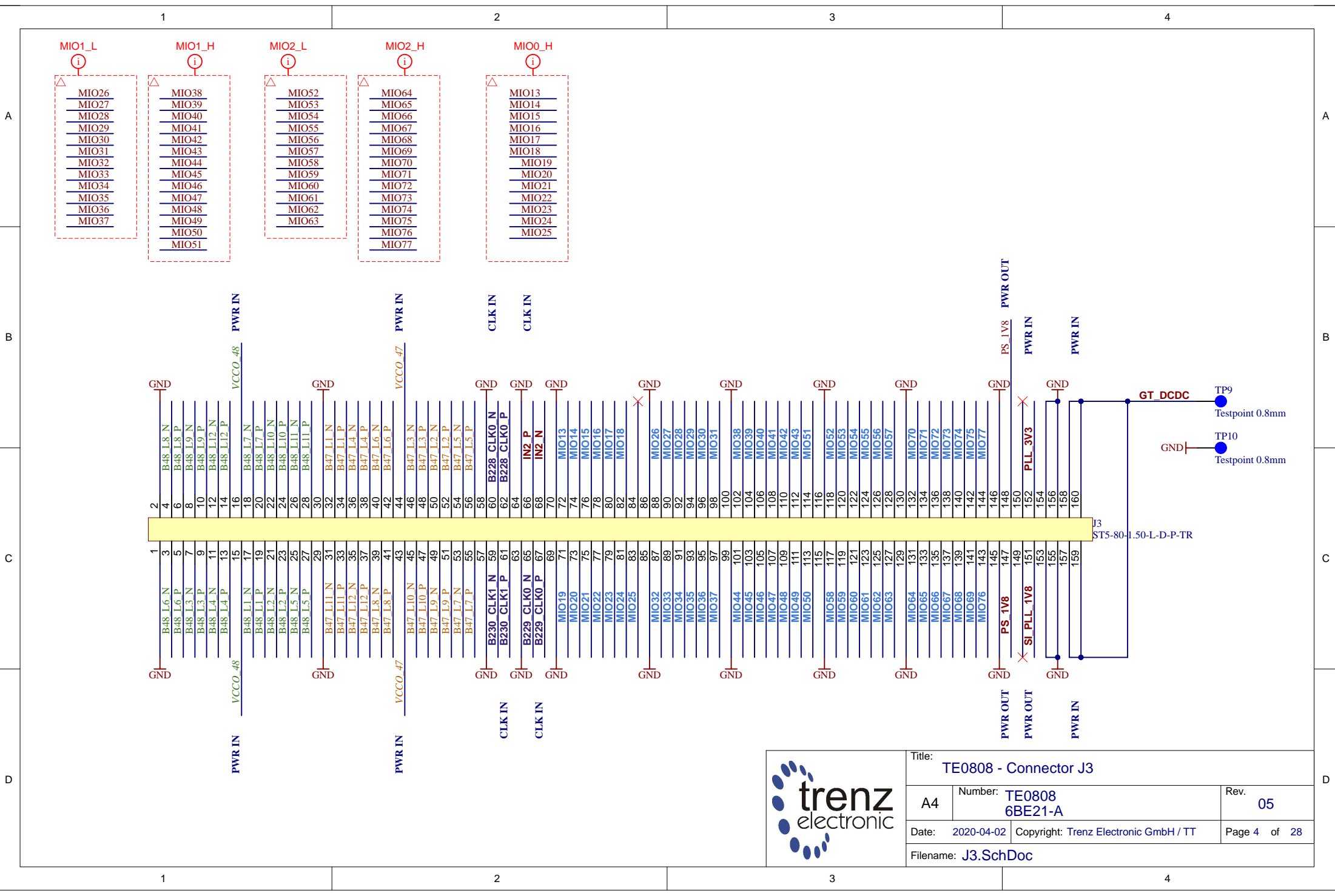
C

D

D



Title: TE0808 - Connector J2		
A4	Number: TE0808 6BE21-A	Rev. 05
Date: 2020-04-02	Copyright: Trenz Electronic GmbH / TT	Page 3 of 28
Filename: J2.SchDoc		



Title: TE0808 - Connector J3		
A4	Number: TE0808 6BE21-A	Rev. 05
Date: 2020-04-02	Copyright: Trenz Electronic GmbH / TT	Page 4 of 28
Filename: J3.SchDoc		

1

2

3

4

A

A

B

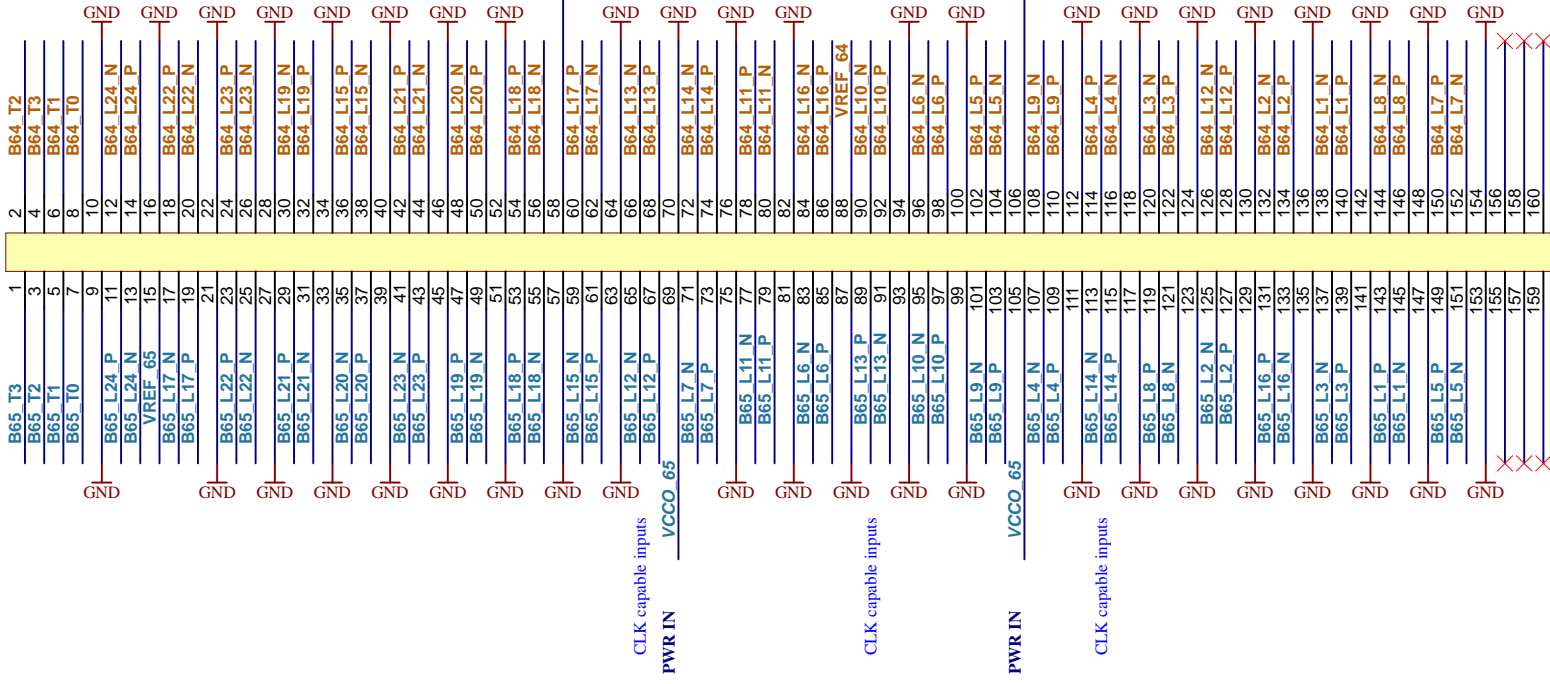
B

C

C

D

D



J4
ST5-80-1.50-L-D-P-TR



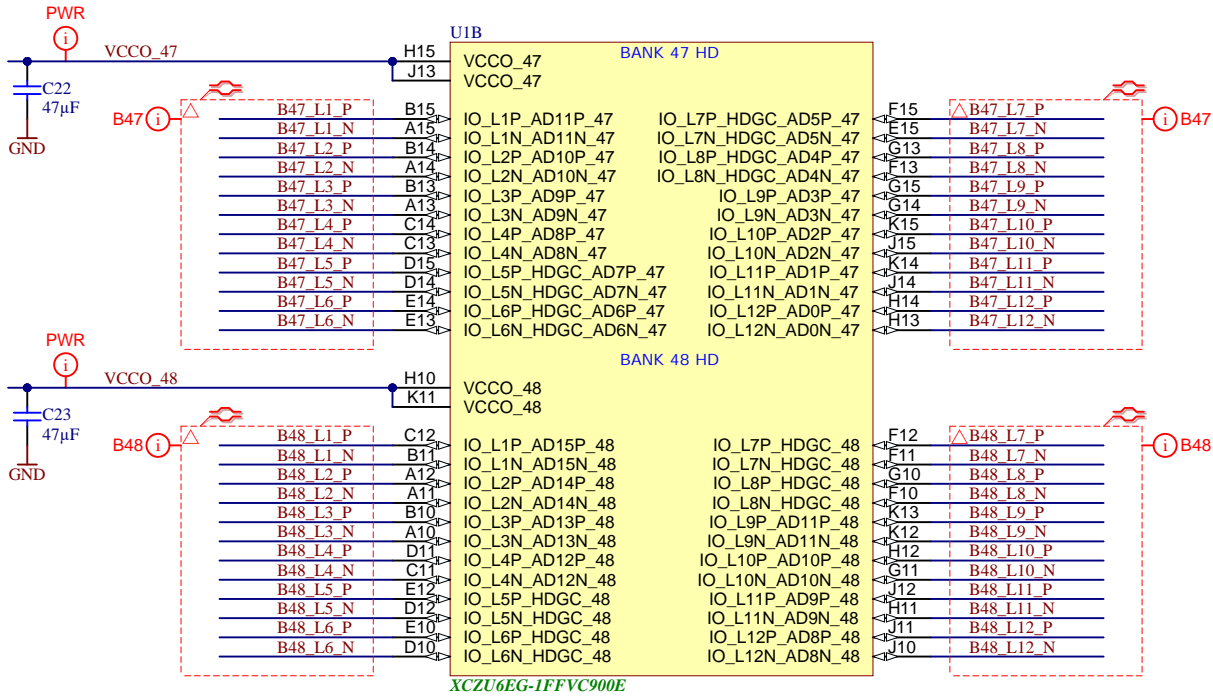
Title: TE0808 - Connector J4		
A4	Number: TE0808 6BE21-A	Rev. 05
Date: 2020-04-02	Copyright: Trenz Electronic GmbH / TT	Page 5 of 28
Filename: J4.SchDoc		

1

2

3

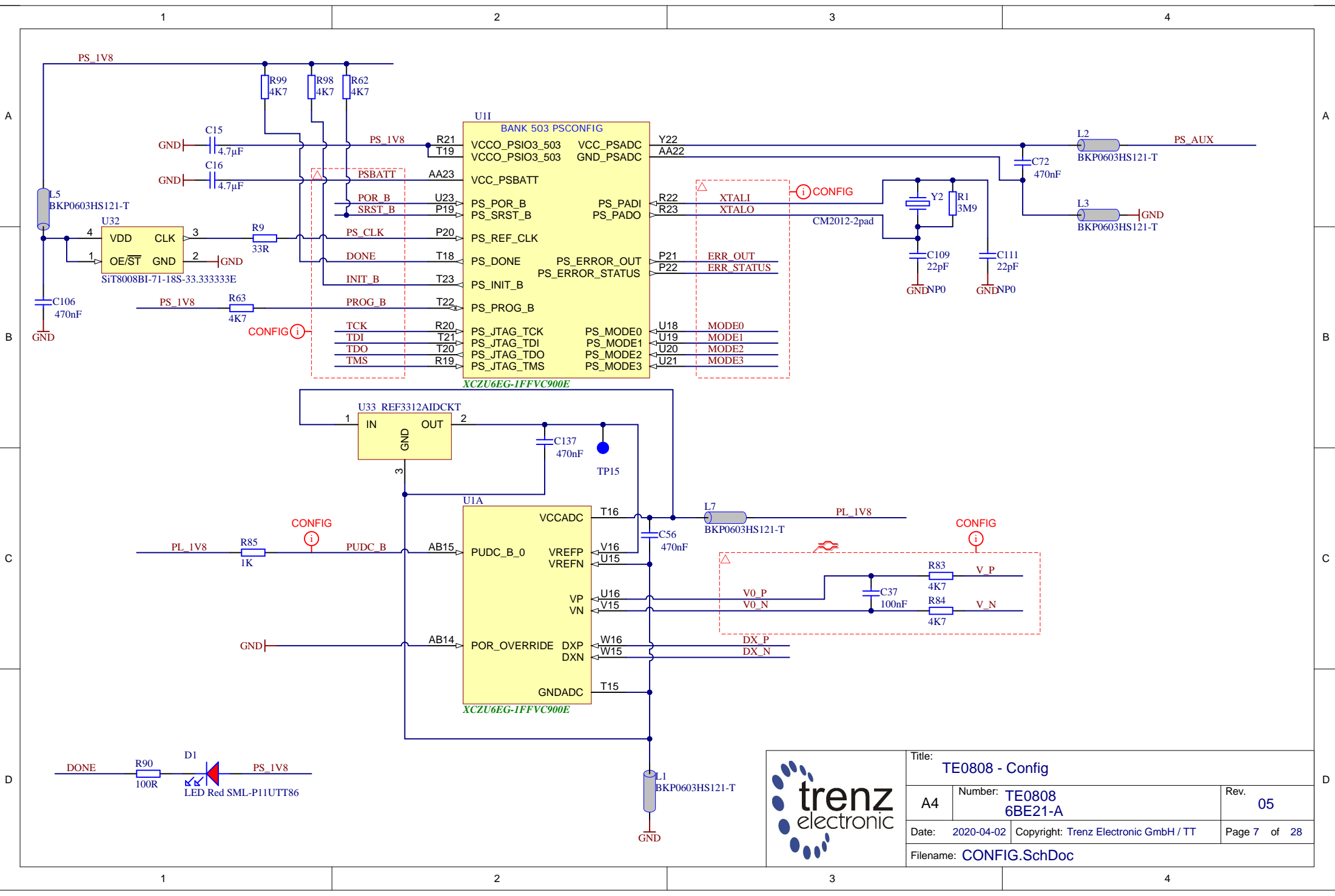
4



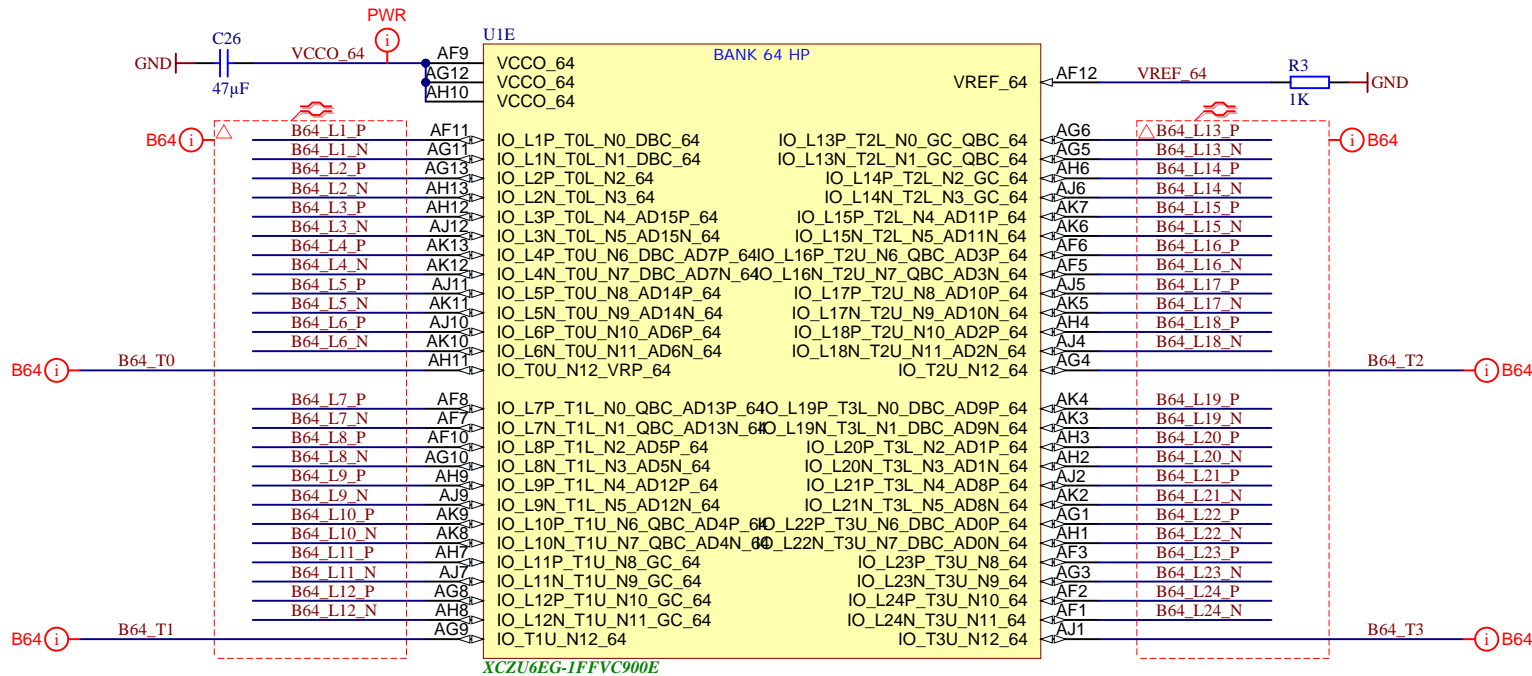
XCZU6EG-1FFVC900E



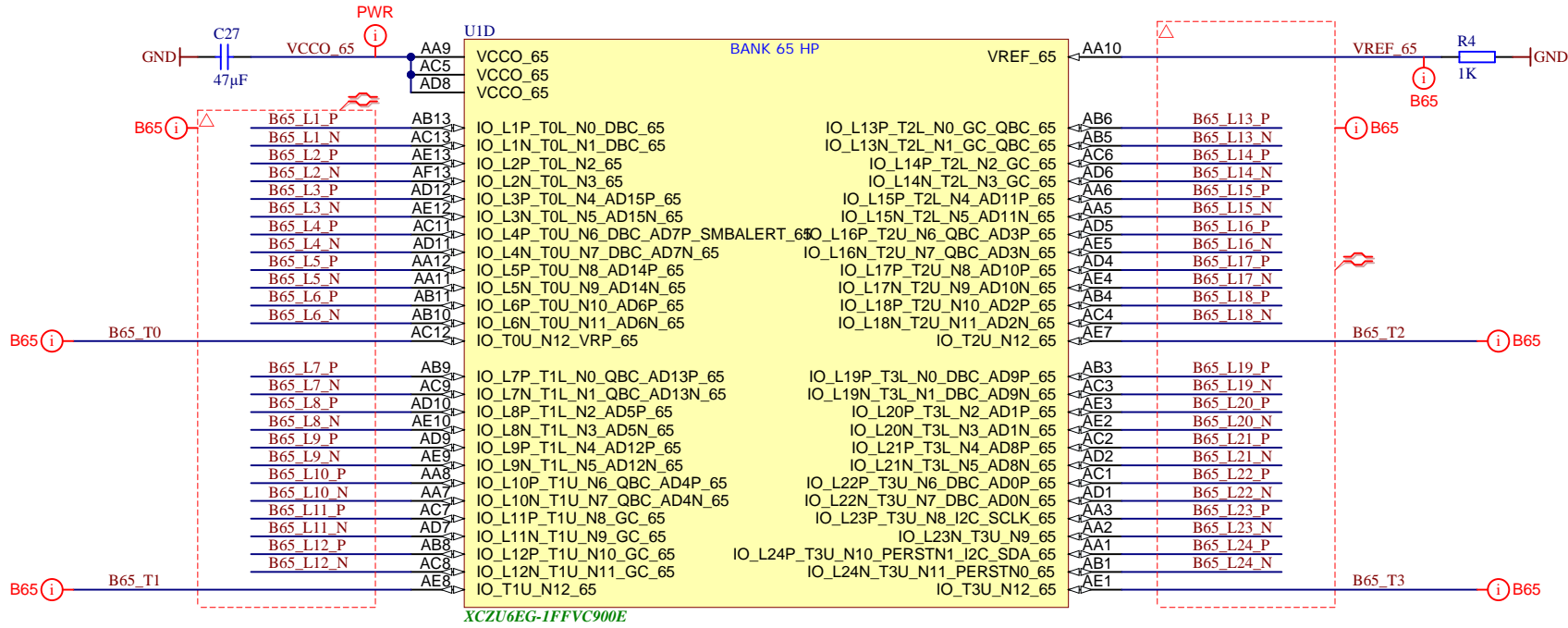
Title: TE0808 - B47HD and B48HD		
A4	Number: TE0808 6BE21-A	Rev. 05
Date: 2020-04-02	Copyright: Trenz Electronic GmbH / TT	Page 6 of 28
Filename: B_HD.SchDoc		



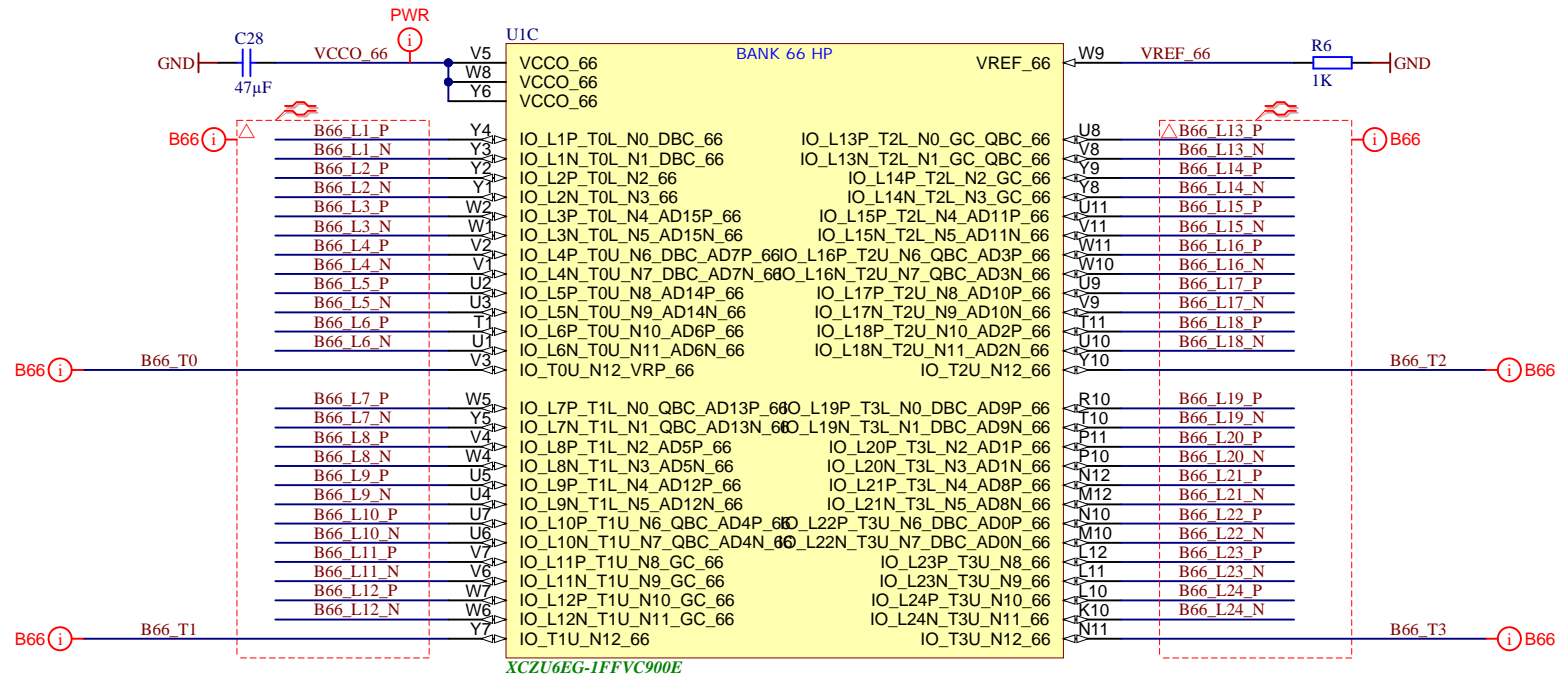
Title: TE0808 - Config		
A4	Number: TE0808 6BE21-A	Rev. 05
Date: 2020-04-02	Copyright: Trenz Electronic GmbH / TT	Page 7 of 28
Filename: CONFIG.SchDoc		




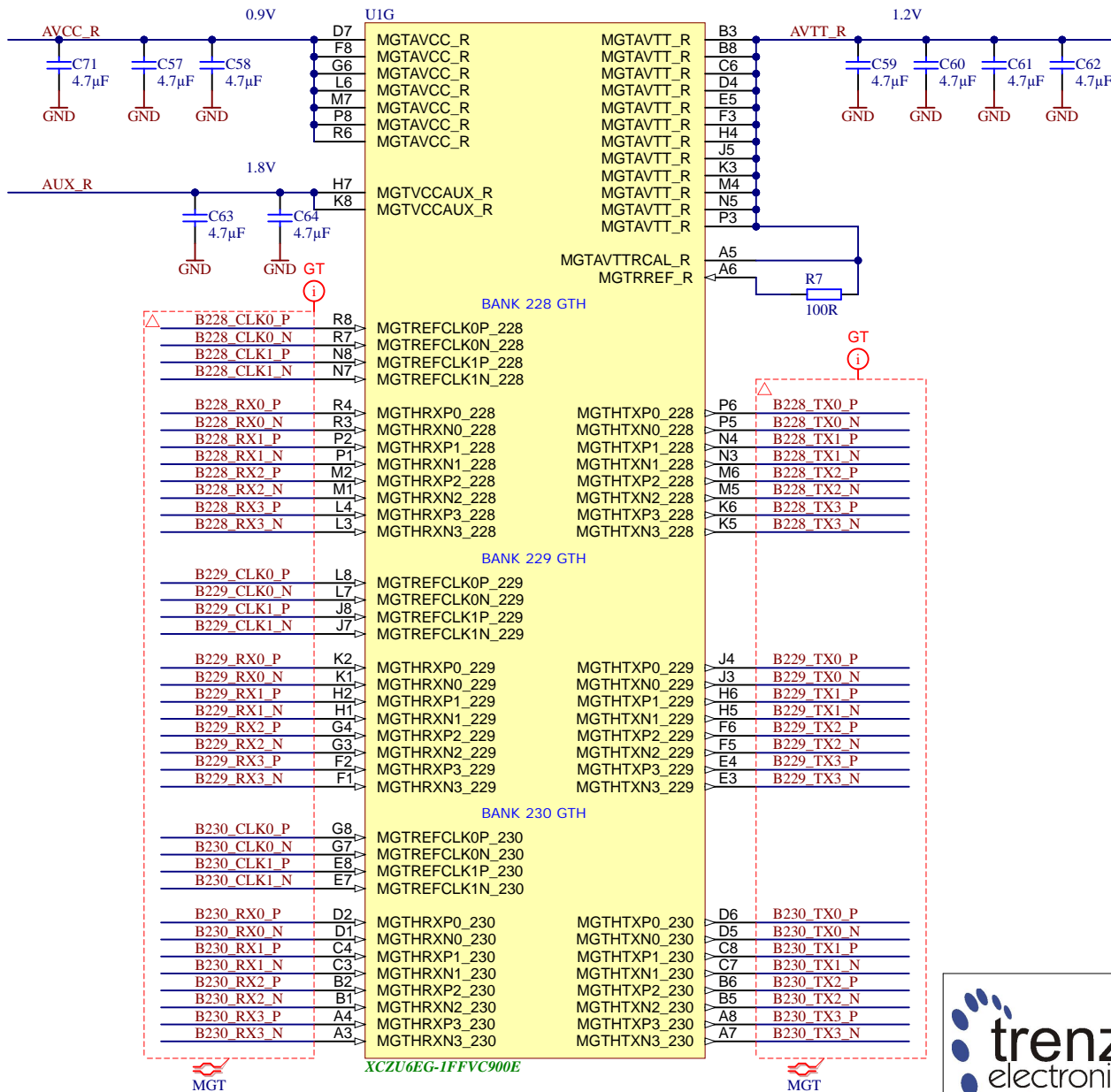

Title: TE0808 - B64		
A4	Number: TE0808 6BE21-A	Rev. 05
Date: 2020-04-02	Copyright: Trenz Electronic GmbH / TT	Page 8 of 28
Filename: B64.SchDoc		



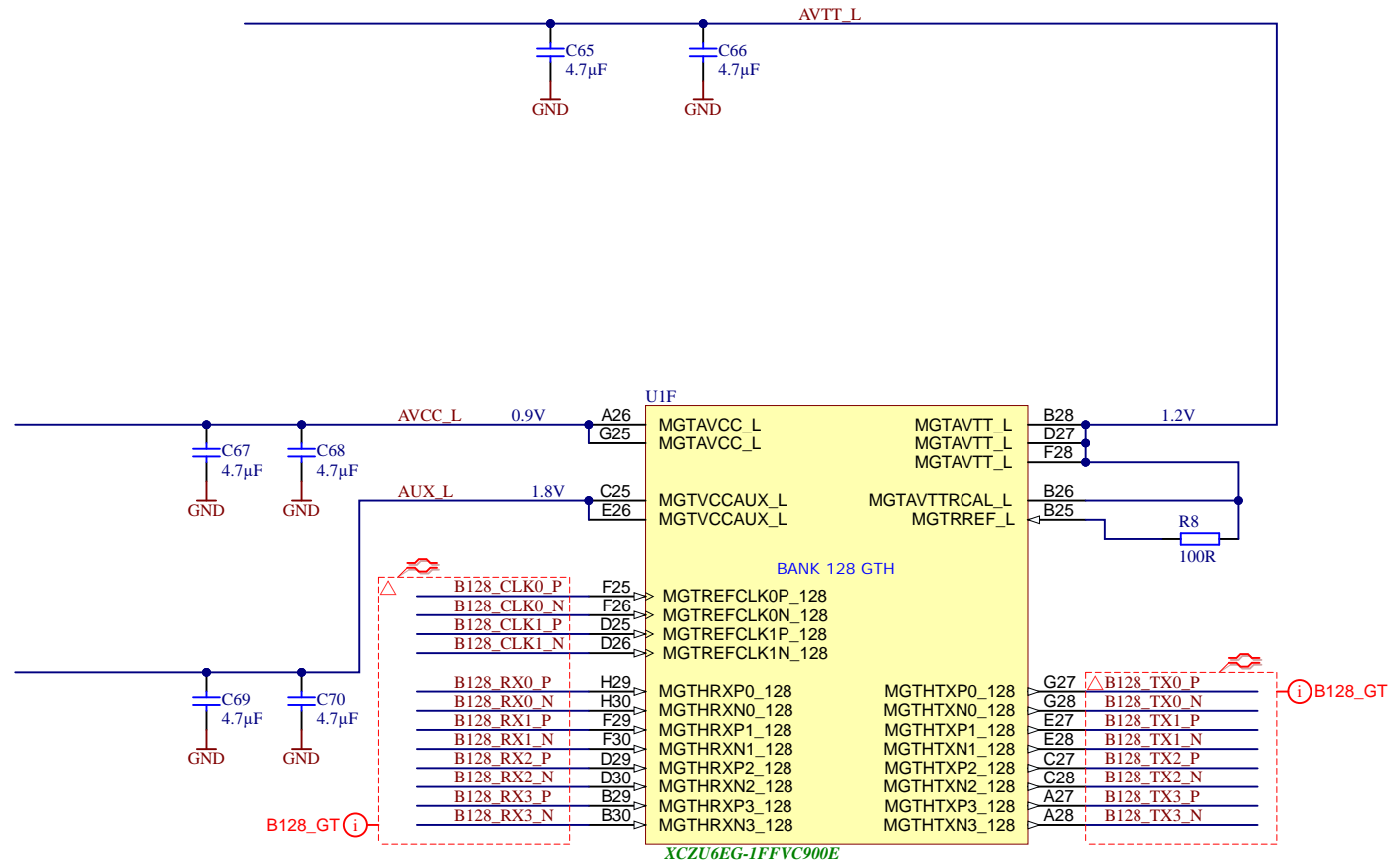
Title: TE0808 - B65		
A4	Number: TE0808 6BE21-A	Rev. 05
Date: 2020-04-02	Copyright: Trenz Electronic GmbH / TT	Page 9 of 28
Filename: B65.SchDoc		



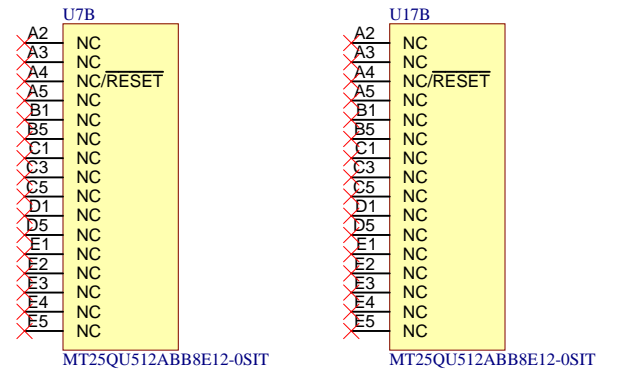
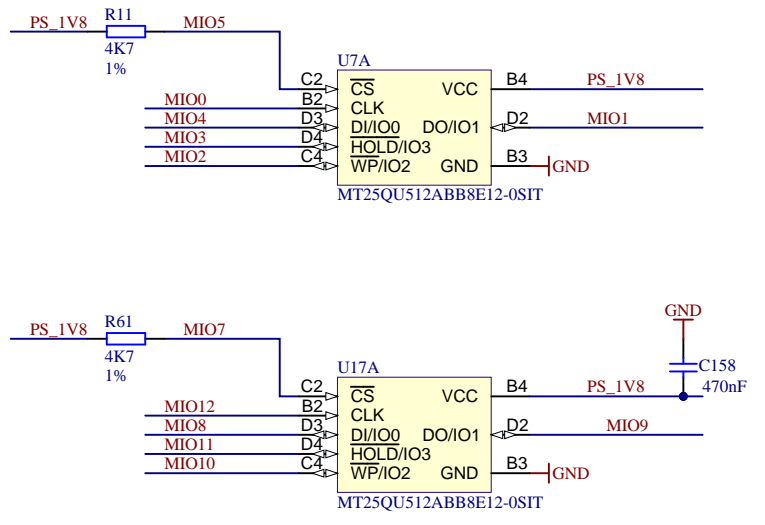
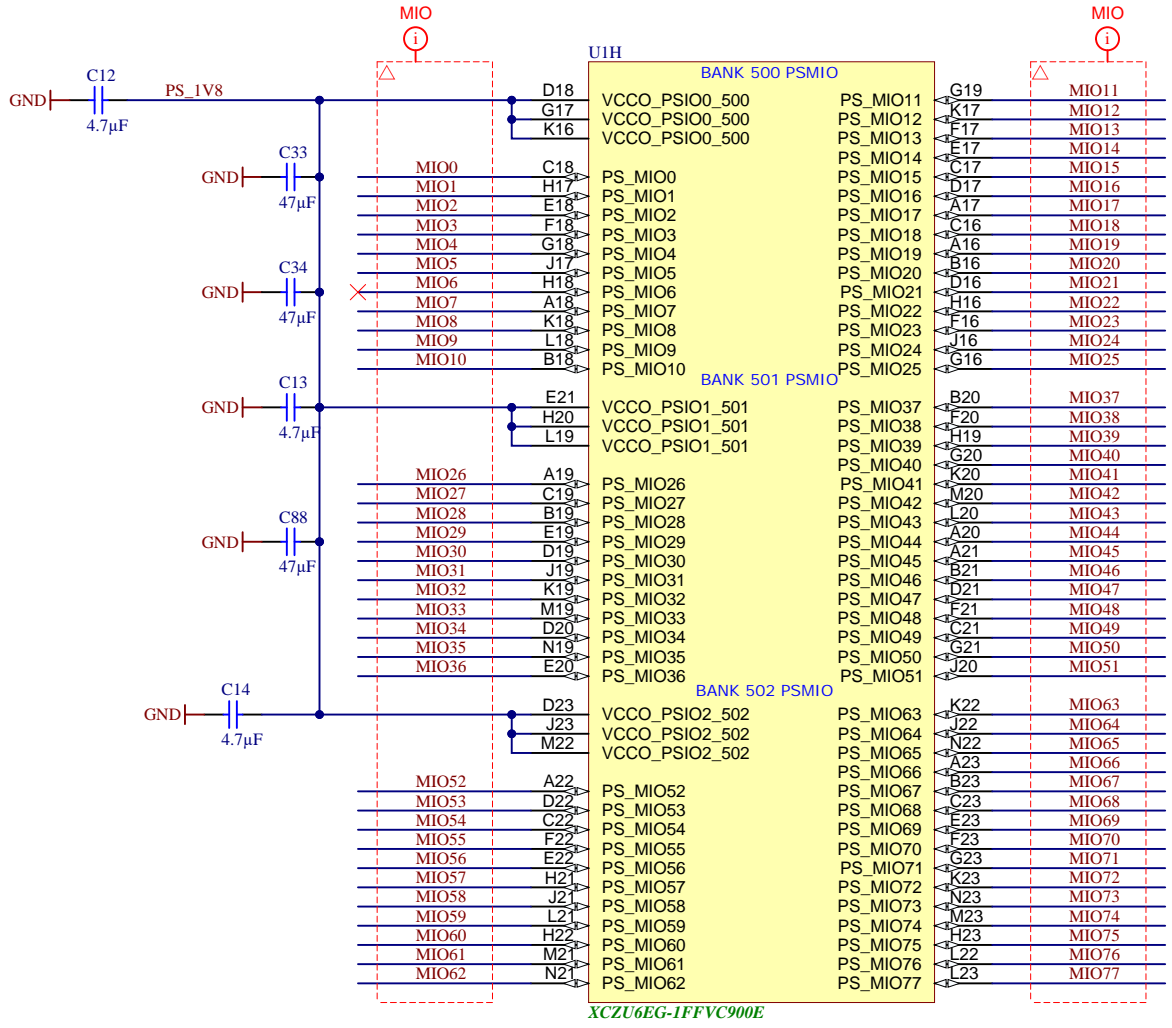
			Title: TE0808 - B66	
			A4	Number: TE0808 6BE21-A
Date: 2020-04-02		Copyright: Trenz Electronic GmbH / TT		Page 10 of 28
Filename: B66.SchDoc				

Title: TE0808 - B228GTH_B229GTH_B230GTH		
A4	Number: TE0808 6BE21-A	Rev. 05
Date: 2020-04-02	Copyright: Trenz Electronic GmbH / TT	
Page 11 of 28		
Filename: B_GT.SchDoc		



	Title: TE0808 - B128GTH	
	A4	Number: TE0808 6BE21-A
	Date: 2020-04-02	Copyright: Trenz Electronic GmbH / TT
	Filename: B_GT_2.SchDoc	
	Rev. 05	Page 12 of 28



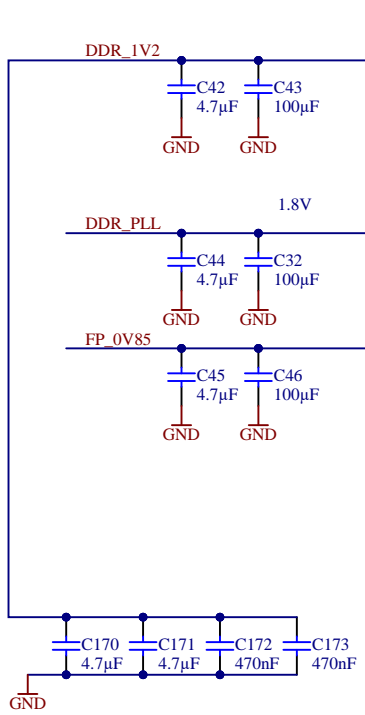
trenz electronic

Title: **TE0808 - MIO Banks**

A4 Number: **TE0808 6BE21-A** Rev. **05**

Date: **2020-04-02** Copyright: **Trenz Electronic GmbH / TT** Page **13** of **28**

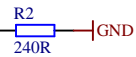
Filename: **B_MIO.SchDoc**



UIJ BANK 504 PSDDR

VCCO_PSDDR_504	PS_DDR_CK0	AJ26	DDR4-CLK0_P
VCCO_PSDDR_504	PS_DDR_CK_N0	AJ27	DDR4-CLK0_N
VCCO_PSDDR_504	PS_DDR_CKE0	AJ25	DDR4-CKE0
VCCO_PSDDR_504		AG23	
VCCO_PSDDR_504	PS_DDR_CK1	AG24	
VCCO_PSDDR_504	PS_DDR_CK_N1	AH27	
VCCO_PSDDR_504	PS_DDR_CKE1	AH27	
VCC_PSDDR_PLL	PS_DDR_A0	AK25	DDR4-A0
VCC_PSDDR_PLL	PS_DDR_A1	AK28	DDR4-A1
VCC_PSDDR_PLL	PS_DDR_A2	AK27	DDR4-A2
VCC_PSDDR_PLL	PS_DDR_A3	AH24	DDR4-A3
VCC_PSDDR_PLL	PS_DDR_A4	AK24	DDR4-A4
VCC_PSDDR_PLL	PS_DDR_A5	AJ30	DDR4-A5
VCC_PSDDR_PLL	PS_DDR_A6	AE22	DDR4-A6
VCC_PSDDR_PLL	PS_DDR_A7	AE25	DDR4-A7
VCC_PSDDR_PLL	PS_DDR_A8	AE23	DDR4-A8
VCC_PSDDR_PLL	PS_DDR_A9	AE24	DDR4-A9
VCC_PSDDR_PLL	PS_DDR_A10	AD22	DDR4-A10
VCC_PSDDR_PLL	PS_DDR_A11	AH23	DDR4-A11
VCC_PSDDR_PLL	PS_DDR_A12	AF21	DDR4-A12
VCC_PSDDR_PLL	PS_DDR_A13	AG21	DDR4-A13
VCC_PSDDR_PLL	PS_DDR_A14	AF22	DDR4-A14
VCC_PSDDR_PLL	PS_DDR_A15	AF23	DDR4-A15
VCC_PSDDR_PLL	PS_DDR_A16	AD21	DDR4-A16
VCC_PSDDR_PLL	PS_DDR_A17	AD20	DDR4-A17
VCC_PSINTFP_DDR	PS_DDR_CS_N0	AJ24	DDR4-CS
VCC_PSINTFP_DDR	PS_DDR_CS_N1	AG25	
VCC_PSINTFP_DDR	PS_DDR_BA0	AG26	DDR4-BA0
VCC_PSINTFP_DDR	PS_DDR_BA1	AF25	DDR4-BA1
VCC_PSINTFP_DDR	PS_DDR_BG0	AF26	DDR4-BG0
VCC_PSINTFP_DDR	PS_DDR_BG1	AD26	DDR4-BG1
VCC_PSINTFP_DDR	PS_DDR_PARITY	AC14	DDR4-PAR
VCC_PSINTFP_DDR	PS_DDR_RAM_RST_N	AC16	DDR4-RESET
VCC_PSINTFP_DDR	PS_DDR_ACT_N	AC17	DDR4-ACT
VCC_PSINTFP_DDR	PS_DDR_ALERT_N	AD19	DDR4-ALERT
	PS_DDR_ZQ	AC23	
	PS_DDR_ODT0	AJ29	DDR4-ODT0
	PS_DDR_ODT1	AH26	

XCZU6EG-1FFVC900E



UIK BANK 504 PSDDR

DQ0	AK17	PS_DDR_DQ0	PS_DDR_DQ32	Y24	DQ32
DQ1	AH17	PS_DDR_DQ1	PS_DDR_DQ33	Y25	DQ33
DQ2	AJ17	PS_DDR_DQ2	PS_DDR_DQ34	AA25	DQ34
DQ3	AH16	PS_DDR_DQ3	PS_DDR_DQ35	AA26	DQ35
DQ4	AK15	PS_DDR_DQ4	PS_DDR_DQ36	AC26	DQ36
DQ5	AK14	PS_DDR_DQ5	PS_DDR_DQ37	AD24	DQ37
DQ6	AJ14	PS_DDR_DQ6	PS_DDR_DQ38	AD25	DQ38
DQ7	AH14	PS_DDR_DQ7	PS_DDR_DQ39	AC24	DQ39
DQ8	AK19	PS_DDR_DQ8	PS_DDR_DQ40	W27	DQ40
DQ9	AK18	PS_DDR_DQ9	PS_DDR_DQ41	W26	DQ41
DQ10	AJ19	PS_DDR_DQ10	PS_DDR_DQ42	W24	DQ42
DQ11	AH19	PS_DDR_DQ11	PS_DDR_DQ43	W25	DQ43
DQ12	AK21	PS_DDR_DQ12	PS_DDR_DQ44	U26	DQ44
DQ13	AK22	PS_DDR_DQ13	PS_DDR_DQ45	U27	DQ45
DQ14	AH21	PS_DDR_DQ14	PS_DDR_DQ46	U25	DQ46
DQ15	AJ22	PS_DDR_DQ15	PS_DDR_DQ47	U24	DQ47
DQ16	AG12	PS_DDR_DQ16	PS_DDR_DQ48	AA30	DQ48
DQ17	AG15	PS_DDR_DQ17	PS_DDR_DQ49	AB29	DQ49
DQ18	AG16	PS_DDR_DQ18	PS_DDR_DQ50	AB30	DQ50
DQ19	AF16	PS_DDR_DQ19	PS_DDR_DQ51	AB28	DQ51
DQ20	AD14	PS_DDR_DQ20	PS_DDR_DQ52	AC27	DQ52
DQ21	AD16	PS_DDR_DQ21	PS_DDR_DQ53	AD27	DQ53
DQ22	AD15	PS_DDR_DQ22	PS_DDR_DQ54	AD29	DQ54
DQ23	AD17	PS_DDR_DQ23	PS_DDR_DQ55	AD30	DQ55
DQ24	AE17	PS_DDR_DQ24	PS_DDR_DQ56	AA28	DQ56
DQ25	AE18	PS_DDR_DQ25	PS_DDR_DQ57	AA27	DQ57
DQ26	AE20	PS_DDR_DQ26	PS_DDR_DQ58	Y28	DQ58
DQ27	AE19	PS_DDR_DQ27	PS_DDR_DQ59	Y27	DQ59
DQ28	AG18	PS_DDR_DQ28	PS_DDR_DQ60	W30	DQ60
DQ29	AH18	PS_DDR_DQ29	PS_DDR_DQ61	V30	DQ61
DQ30	AG19	PS_DDR_DQ30	PS_DDR_DQ62	V28	DQ62
DQ31	AG20	PS_DDR_DQ31	PS_DDR_DQ63	V29	DQ63
		PS_DDR_DQ64	PS_DDR_DQ65	AE27	
DDR4-DQS0_P	AJ15	PS_DDR_DQS_P0	PS_DDR_DQ66	AF28	
DDR4-DQS0_N	AJ16	PS_DDR_DQS_N0	PS_DDR_DQ67	AG28	
DDR4-DQS1_P	AJ20	PS_DDR_DQS_P1	PS_DDR_DQ68	AE28	
DDR4-DQS1_N	AJ21	PS_DDR_DQS_N1	PS_DDR_DQ69	AH30	
DDR4-DQS2_P	AE15	PS_DDR_DQS_P2	PS_DDR_DQ70	AF30	
DDR4-DQS2_N	AF15	PS_DDR_DQS_N2	PS_DDR_DQ71	AG30	
DDR4-DQS3_P	AF17	PS_DDR_DQS_P3		AE30	
DDR4-DQS3_N	AF18	PS_DDR_DQS_N3			
DDR4-DQS4_P	AB24	PS_DDR_DQS_P4			
DDR4-DQS4_N	AB25	PS_DDR_DQS_N4	PS_DDR_DM0	AK16	DDR4-DM0
DDR4-DQS5_P	V26	PS_DDR_DQS_P5	PS_DDR_DM1	AK20	DDR4-DM1
DDR4-DQS5_N	V27	PS_DDR_DQS_N5	PS_DDR_DM2	AE14	DDR4-DM2
DDR4-DQS6_P	AC28	PS_DDR_DQS_P6	PS_DDR_DM3	AF20	DDR4-DM3
DDR4-DQS6_N	AC29	PS_DDR_DQS_N6	PS_DDR_DM4	AB26	DDR4-DM4
DDR4-DQS7_P	W29	PS_DDR_DQS_P7	PS_DDR_DM5	V24	DDR4-DM5
DDR4-DQS7_N	Y29	PS_DDR_DQS_N7	PS_DDR_DM6	AC30	DDR4-DM6
	AG29	PS_DDR_DQS_P8	PS_DDR_DM7	Y30	DDR4-DM7
	AH29	PS_DDR_DQS_N8	PS_DDR_DM8	AE29	

XCZU6EG-1FFVC900E



Title: TE0808 - PS_DDR		
A4	Number: TE0808 6BE21-A	Rev. 05
Date: 2020-04-02	Copyright: Trenz Electronic GmbH / TT	Page 14 of 28
Filename: PS_DDR.SchDoc		

1

2

3

4

A

A

B

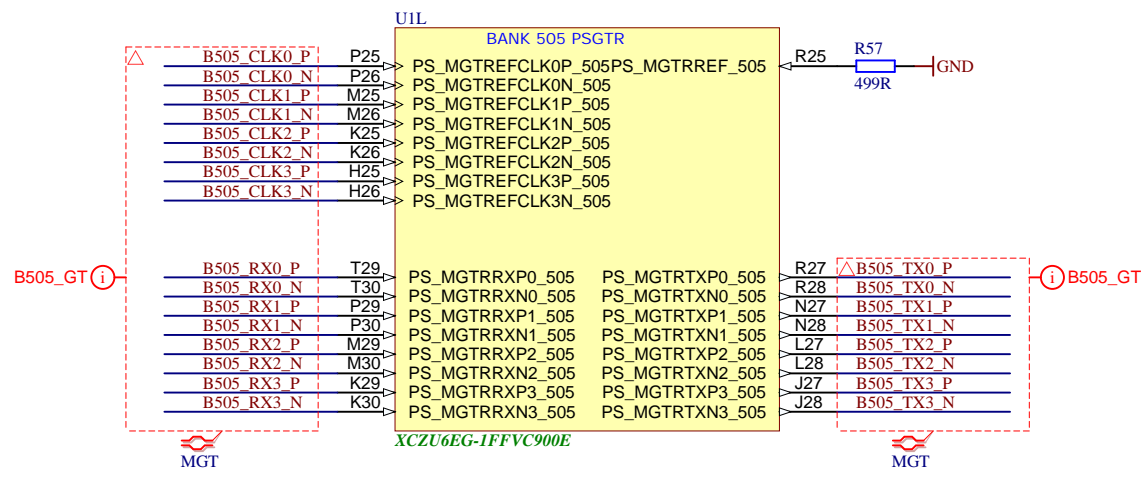
B

C

C

D

D



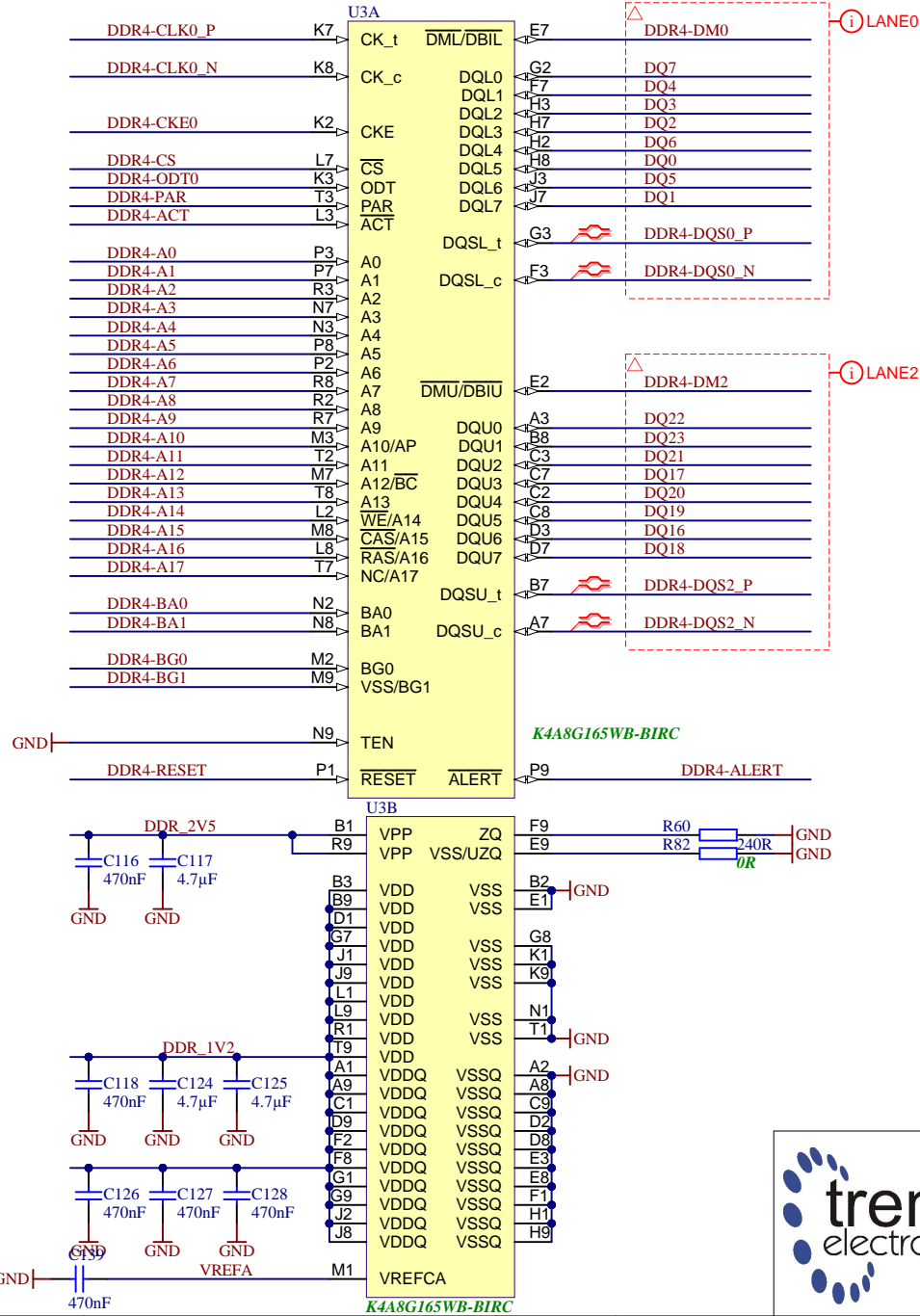
Title: TE0808 - PS_GT		
A4	Number: TE0808 6BE21-A	Rev. 05
Date: 2020-04-02	Copyright: Trenz Electronic GmbH / TT	Page 15 of 28
Filename: B_PS_GT.SchDoc		

1

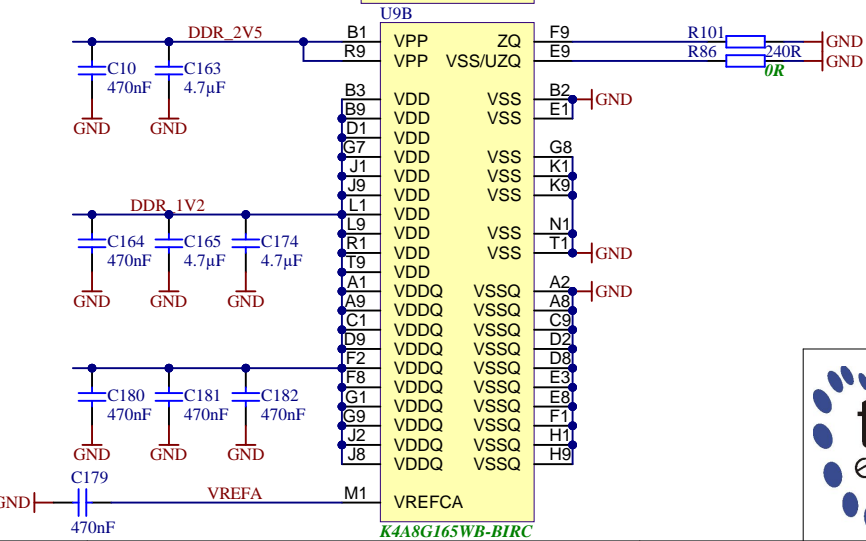
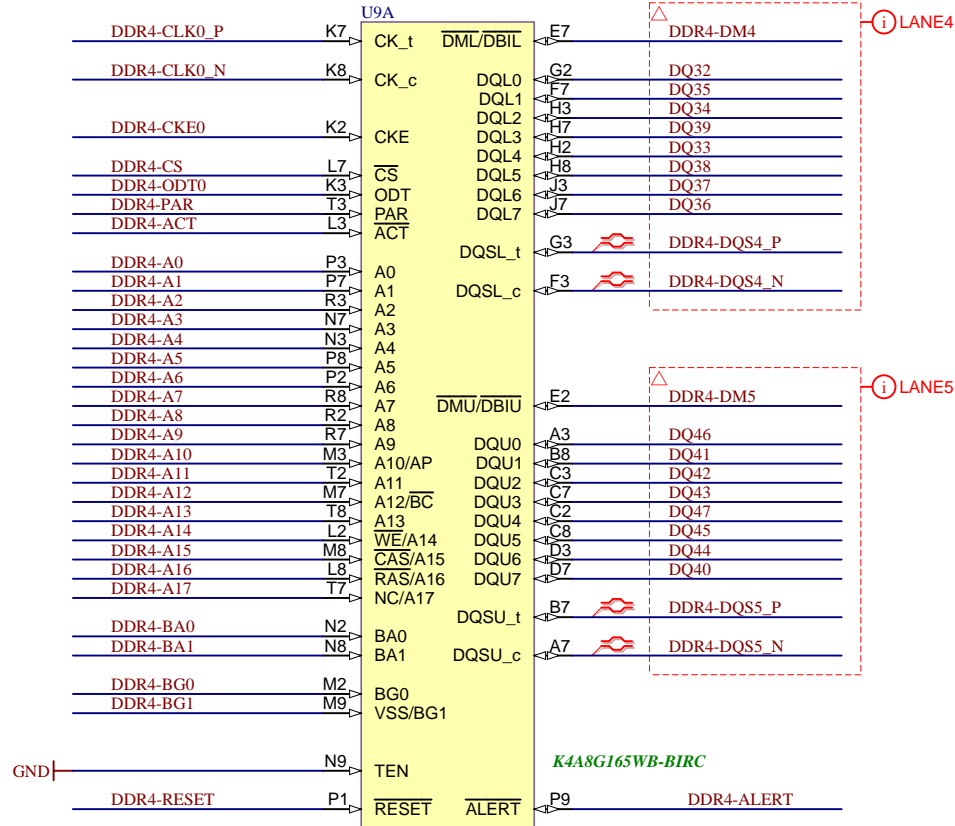
2

3

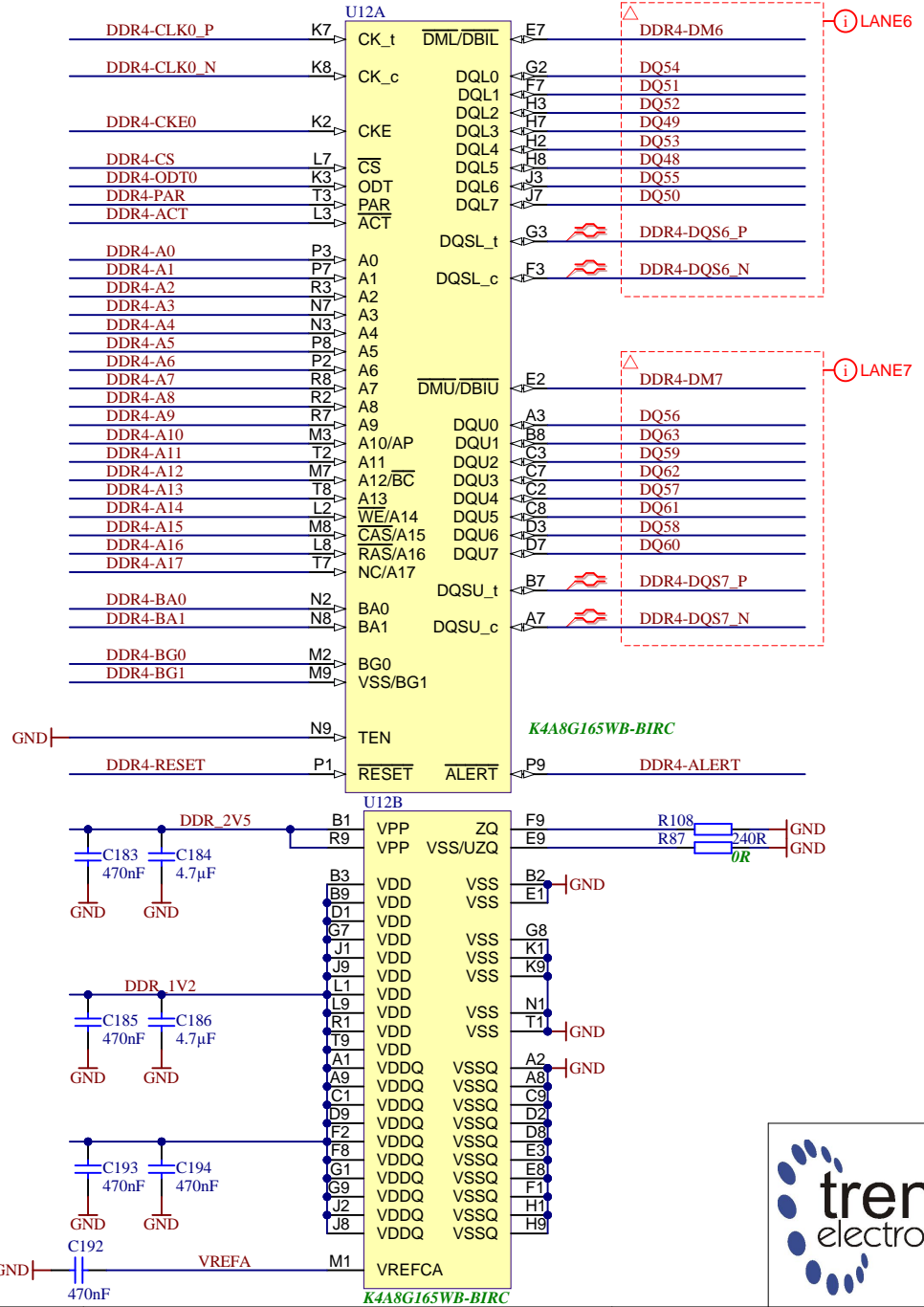
4



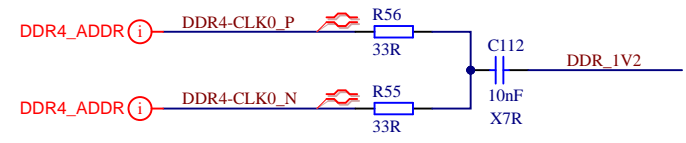
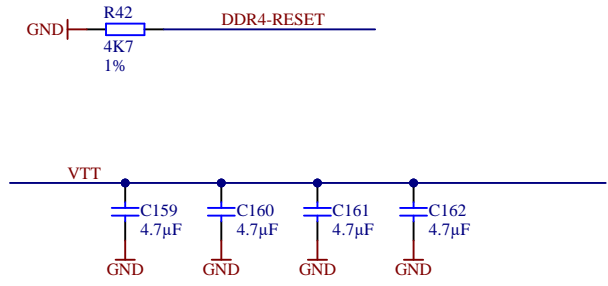
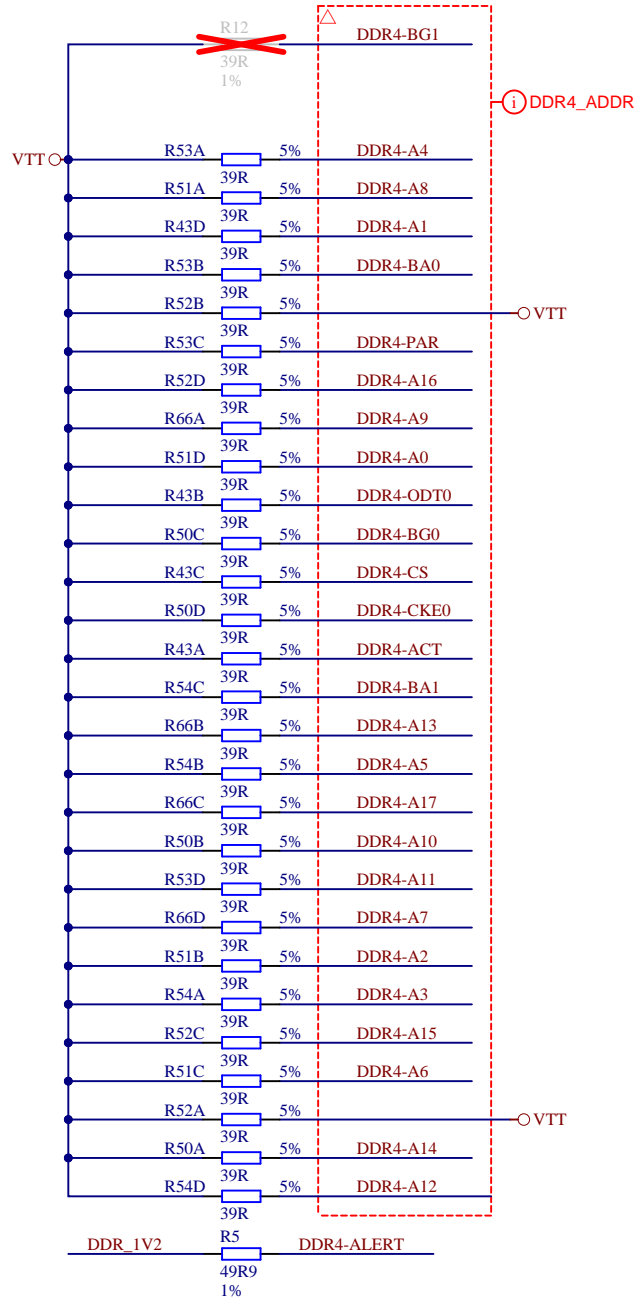
Title: TE0808 - DDR4_2_RAM		
A4	Number: TE0808 6BE21-A	Rev. 05
Date: 2020-04-02	Copyright: Trenz Electronic GmbH / TT	Page 19 of 28
Filename: DDR4-RAM_2.SchDoc		



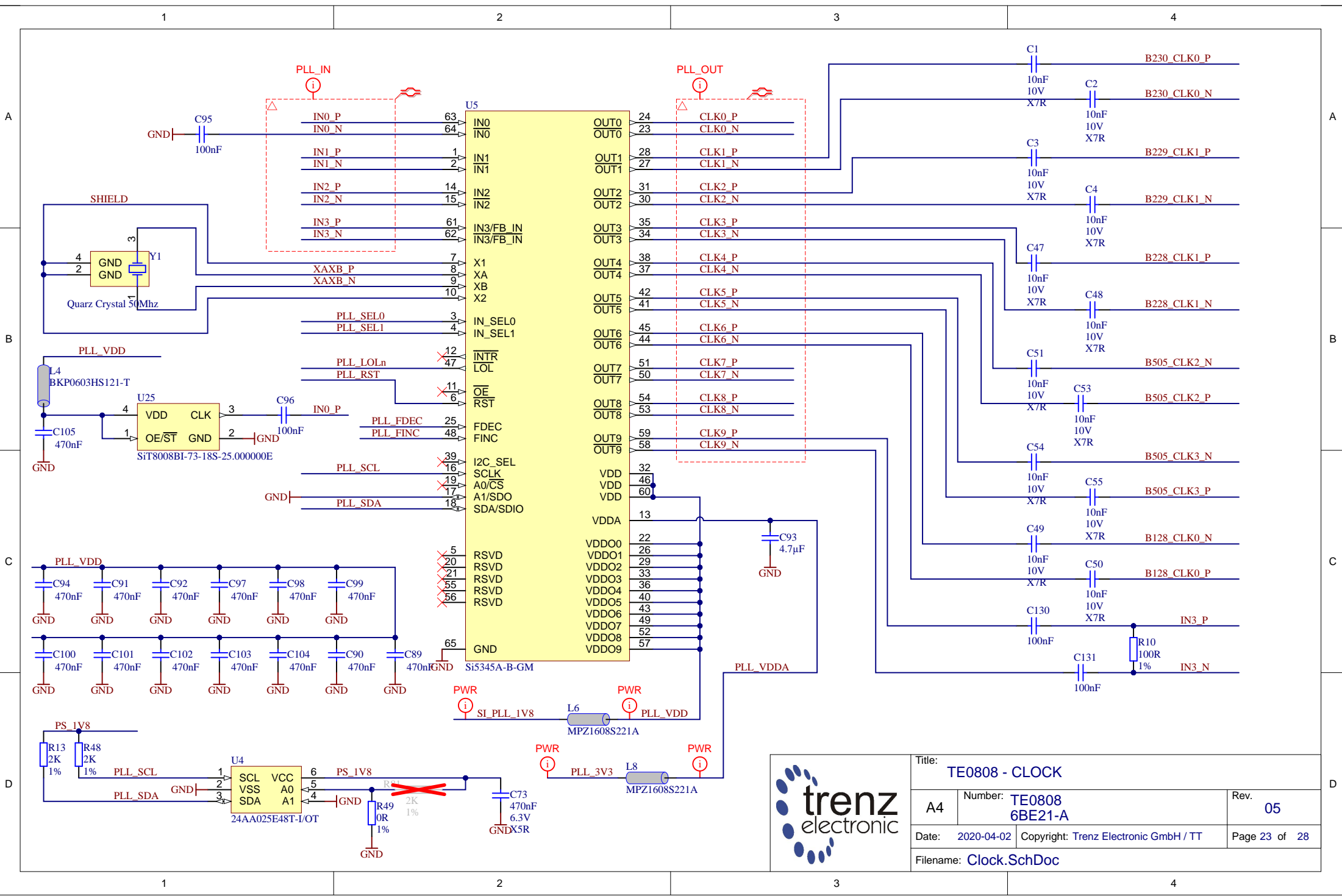
Title: TE0808 - DDR4_3_RAM		
A4	Number: TE0808 6BE21-A	Rev. 05
Date: 2020-04-02	Copyright: Trenz Electronic GmbH / TT	Page 20 of 28
Filename: DDR4-RAM_3.SchDoc		



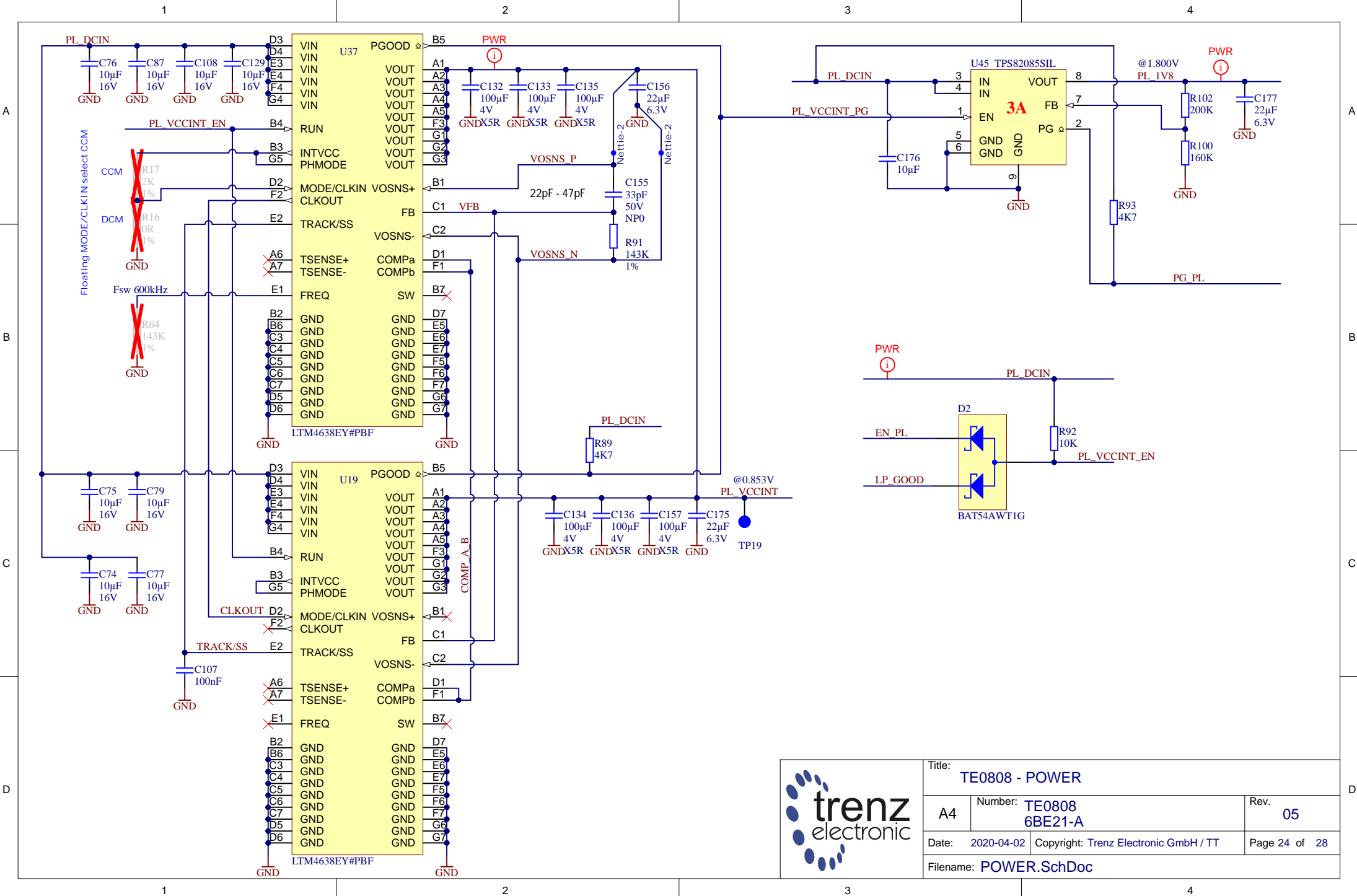
Title: TE0808 - DDR4_4_RAM		
A4	Number: TE0808 6BE21-A	Rev. 05
Date: 2020-04-02	Copyright: Trenz Electronic GmbH / TT	Page 21 of 28
Filename: DDR4-RAM_4.SchDoc		



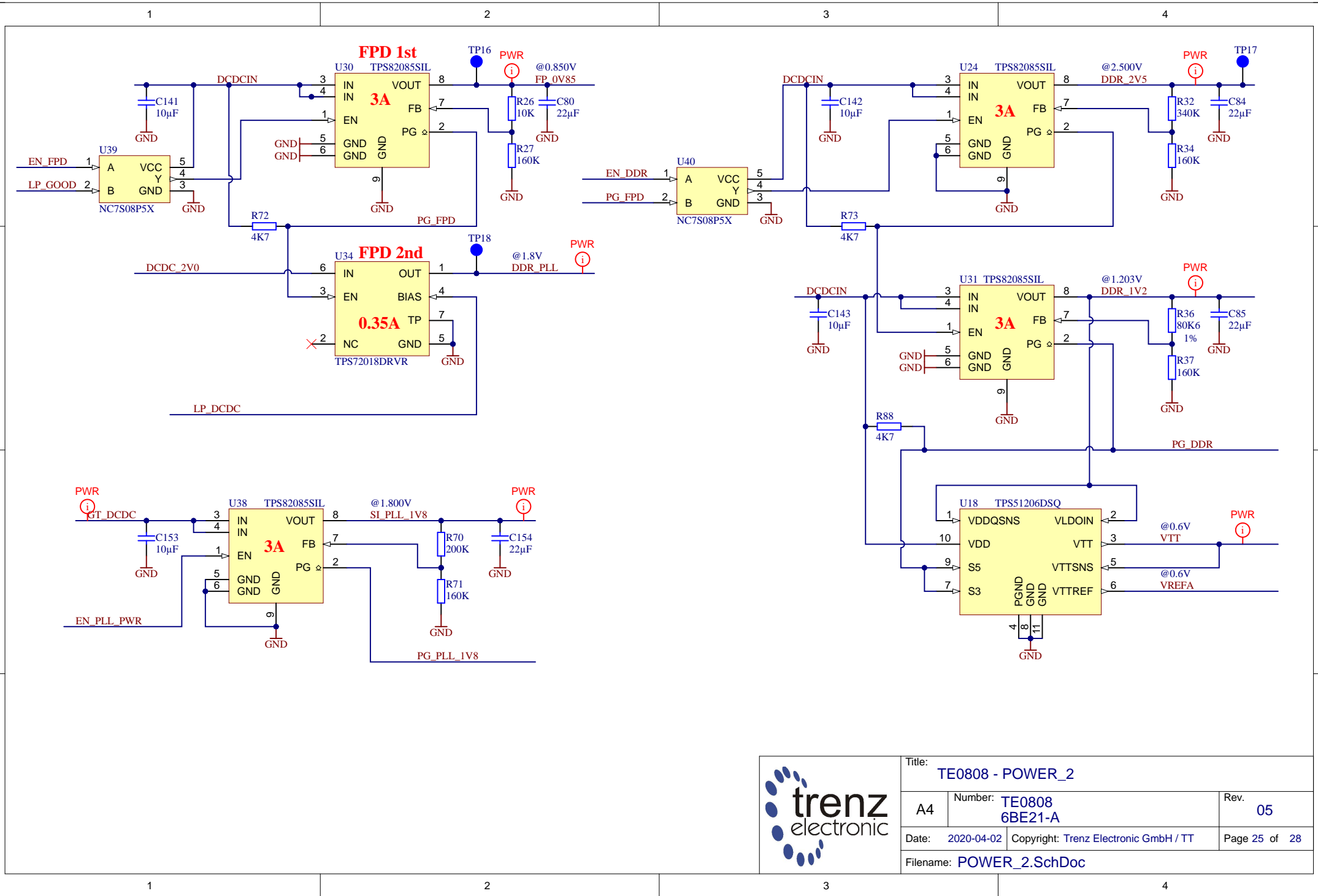
Title: TE0808 - DDR4_TERM		
A4	Number: TE0808 6BE21-A	Rev. 05
Date: 2020-04-02	Copyright: Trenz Electronic GmbH / TT	Page 22 of 28
Filename: DDR4-TERM.SchDoc		




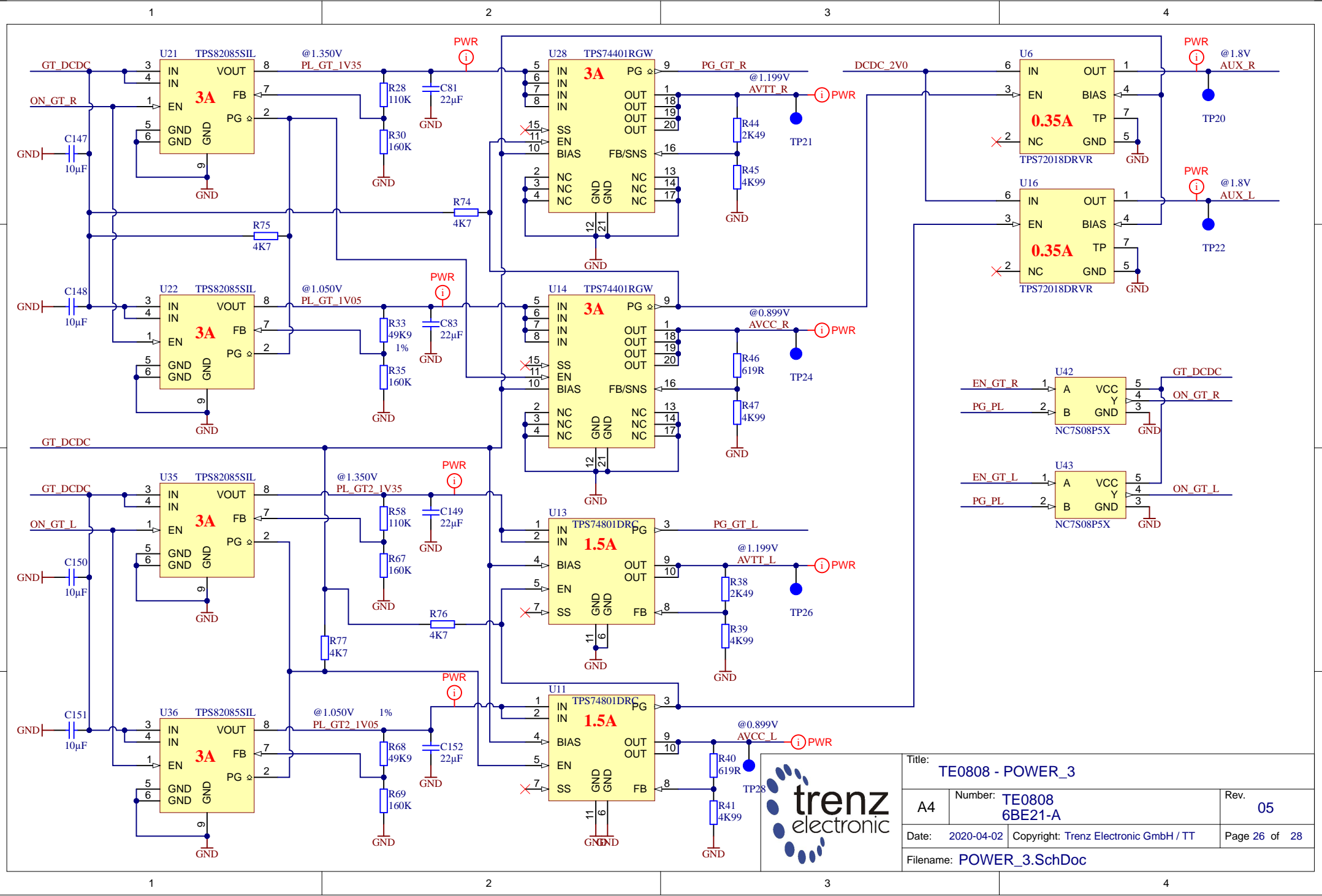
Title: TE0808 - CLOCK		
A4	Number: TE0808 6BE21-A	Rev. 05
Date: 2020-04-02	Copyright: Trenz Electronic GmbH / TT	Page 23 of 28
Filename: Clock.SchDoc		



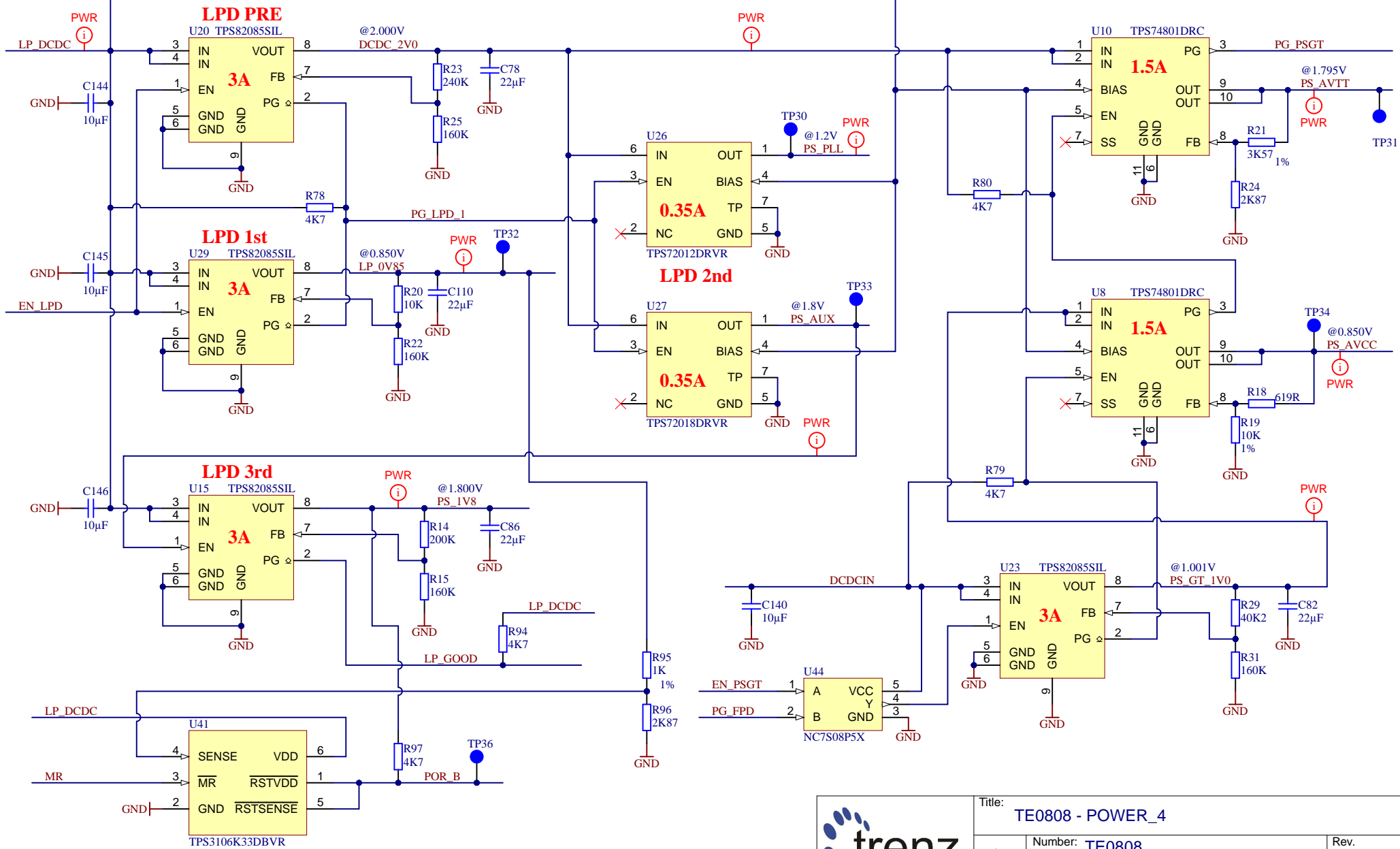
Title: TE0808 - POWER		
A4	Number: TE0808 6BE21-A	Rev. 05
Date: 2020-04-02	Copyright: Trenz Electronic GmbH / TT	Page 24 of 28
Filename: POWER.SchDoc		



		Title: TE0808 - POWER_2	
		A4	Number: TE0808 6BE21-A
Date: 2020-04-02		Copyright: Trenz Electronic GmbH / TT	
Filename: POWER_2.SchDoc		Page 25 of 28	



Title: TE0808 - POWER_3		
A4	Number: TE0808 6BE21-A	Rev. 05
Date: 2020-04-02	Copyright: Trenz Electronic GmbH / TT	Page 26 of 28
Filename: POWER_3.SchDoc		



POR_B is "0" when LP_OV85 lower 0.74V



Title: TE0808 - POWER_4		
A4	Number: TE0808 6BE21-A	Rev. 05
Date: 2020-04-02	Copyright: Trenz Electronic GmbH / TT	Page 27 of 28
Filename: POWER_4.SchDoc		

1

2

3

4

Revision 04:

- 1. Added resistors R65,R82,R86,R87 (240R) for each DDR4-chip for supporting DDP DDR4 chips
- 2. Full library update

Revision 04a (09.06.2020):


- 1. VY: R19 value was changed to 10K (was: 4K99) to set PS_MGTRAVCC 0.85V

Revision 05:

- 1. VY: revised PL_VCCINT power supply. PCB: revised routing and components placement;
- 2. VY: added signal BG1 for DDP DDR4 IC. Added support of new packages. PCB: revised routing and components placement;
- 3. VY: R5 pulled up to 1.2V. R5 value changed to 49.9R;
- 4. VY: added test points;
- 5. VY: added MAC EEPROM U48. I2C bus PLL_SCL/SDA. Added pull up resistor to I2C bus;
- 6. VY: PCB - revised FPGA location. Package placed 1.5mm closer to connector J3;
- 7. VY: PCB - updated silkscreen. Added company address, CE and WEEE symbols;
- 8. VY: PCB - updated signal trace lengths.

29.11.2022

- 9. Chnaged note near J2.97 and net PG_GT_L from "On board pull-up R" to "External pull-up R Required"

	Title: TE0808 - Changes list		
	A4	Number: TE0808 6BE21-A	Rev. 05
	Date: 2020-04-02	Copyright: Trenz Electronic GmbH	Page 28 of 28
	Filename: Revision_Changes.SchDoc		

1

2

3

4