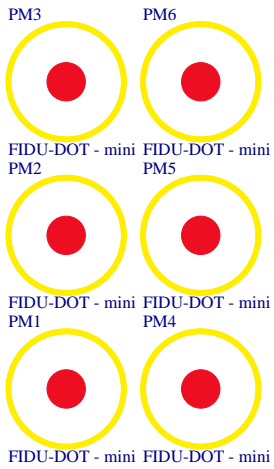
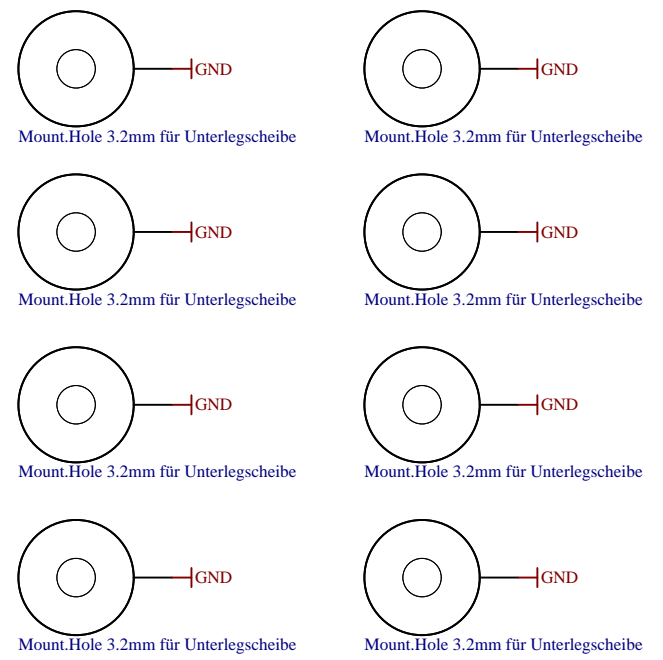


U_J1 J1.SchDoc	U_B_PS_GT B_PS_GT.SchDoc	U_DDR4-TERM DDR4-TERM.SchDoc
U_J2 J2.SchDoc	U_PS_DDR PS_DDR.SchDoc	U_ZU_POWER ZU_POWER.SchDoc
U_J3 J3.SchDoc	U_B_MIO B_MIO.SchDoc	U_ZU_PS_POWER ZU_PS_POWER.SchDoc
U_J4 J4.SchDoc	U_B_HD B_HD.SchDoc	U_POWER POWER.SchDoc
U_DDR4-TERM DDR4-TERM.SchDoc	U_Clock Clock.SchDoc	U_POWER_2 POWER_2.SchDoc
U_B64 B64.SchDoc	U_CONFIG CONFIG.SchDoc	U_POWER_3 POWER_3.SchDoc
U_B65 B65.SchDoc	U_DDR4-RAM DDR4-RAM.SchDoc	U_POWER_4 POWER_4.SchDoc
U_B66 B66.SchDoc	U_DDR4-RAM_2 DDR4-RAM_2.SchDoc	U_RC Revision_Changes.SchDoc
U_B_GT B_GT.SchDoc	U_DDR4-RAM_3 DDR4-RAM_3.SchDoc	
U_B_GT_2 B_GT_2.SchDoc	U_DDR4-RAM_4 DDR4-RAM_4.SchDoc	

Special notes:



~~Serial1~~
Serialnummer 6,3 x 6.3mm

Serial2
Serial
Serialnummer 6,3 x 6.3mm
AD only

MECHI
TE Address Overlay

LOGO ADDRESS

LOGO1
TE Logo PRINT Layer

LOGO PRINT

Design drawn by:	VY
Checked by:	MR
Assembly variant:	BBE21-E
Created by:	MR
Modified by:	MR
Modified at:	2024-05-08



Title: TE0808		
A4	Number: TE0808 BBE21-E	Rev. 05
Date: 2020-04-02	Copyright: Trenz Electronic GmbH / TT	Page 1 of 28
Filename: TE0808.SchDoc		

1

2

3

4

A

A

B

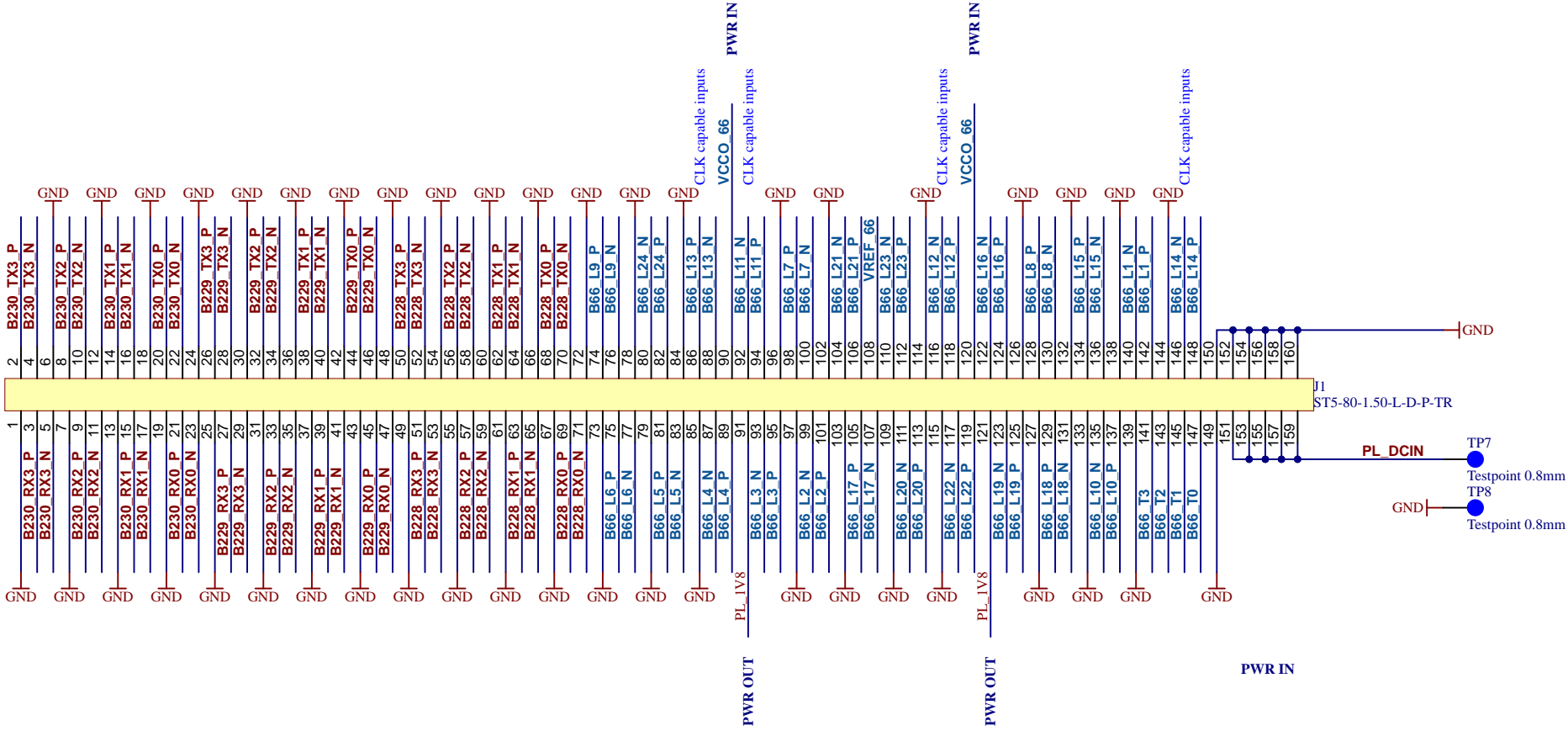
B

C

C

D

D



Title: TE0808 - Connector J1		
A4	Number: TE0808 BBE21-E	Rev. 05
Date: 2020-04-02	Copyright: Trenz Electronic GmbH / TT	Page 2 of 28
Filename: J1.SchDoc		

1

2

3

4

1

2

3

4

A

A

B

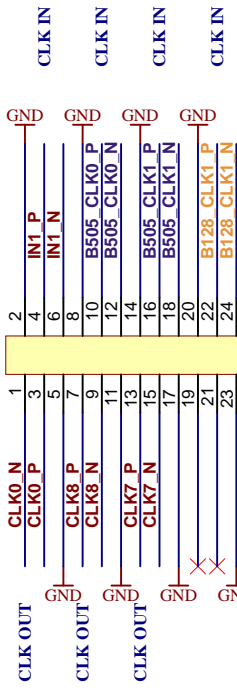
B

C

C

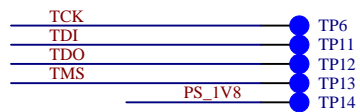
D

D



(External pull-up R required)
 (External pull-up R required)
 (On board pull-up R)
 (On board pull-up R)
 (On board pull-up R)
 (On board pull-up R)
 (On board pull-up R)
 (On board pull-up R)
 (On board pull-up R)
 (On board pull-up R)

(External pull-up R required)
 (External pull-up R required)
 (On board pull-up R)



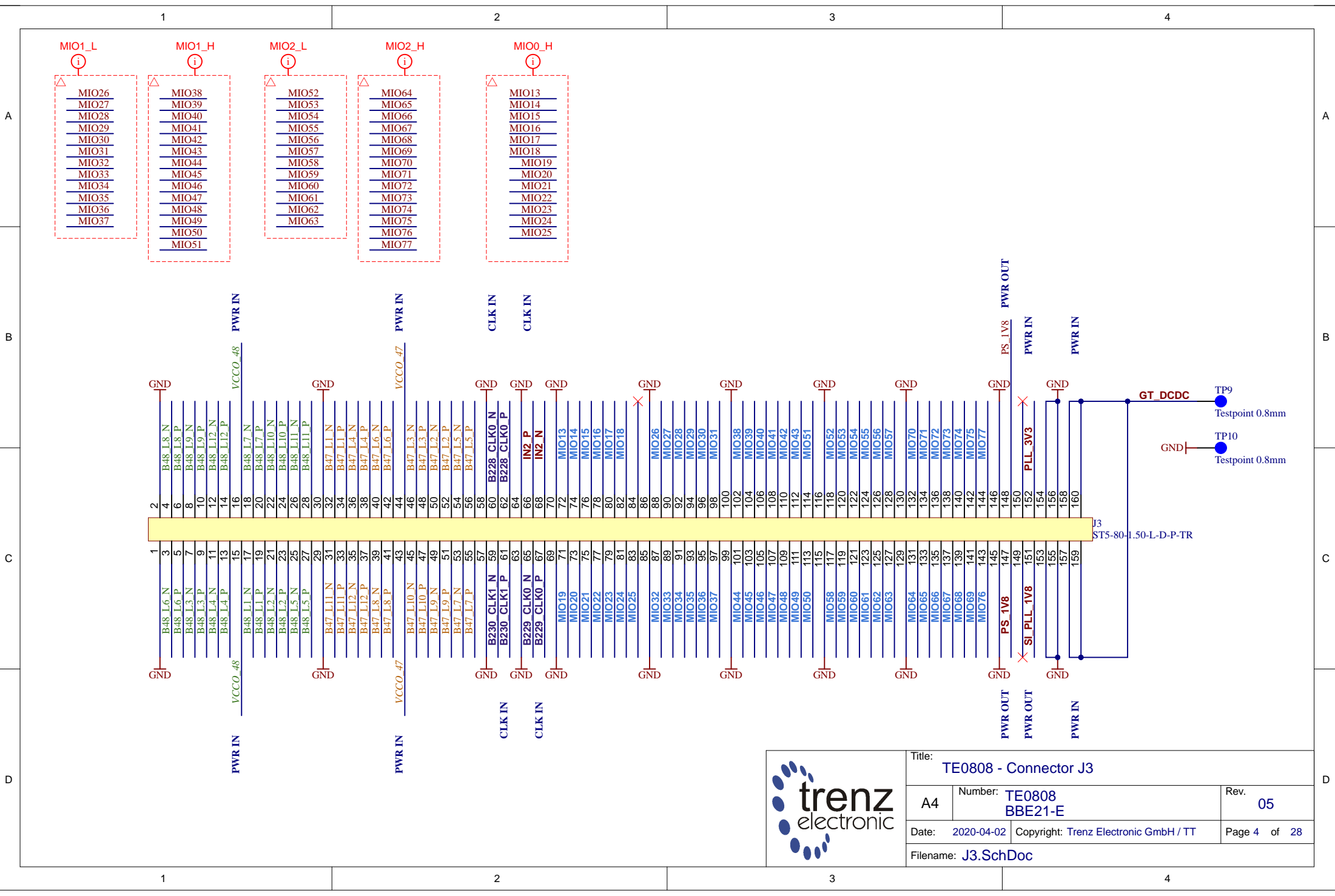
Title: TE0808 - Connector J2		
A4	Number: TE0808 BBE21-E	Rev. 05
Date: 2020-04-02	Copyright: Trenz Electronic GmbH / TT	Page 3 of 28
Filename: J2.SchDoc		

1

2

3

4



Title: TE0808 - Connector J3		
A4	Number: TE0808 BBE21-E	Rev. 05
Date: 2020-04-02	Copyright: Trenz Electronic GmbH / TT	Page 4 of 28
Filename: J3.SchDoc		

1

2

3

4

A

A

B

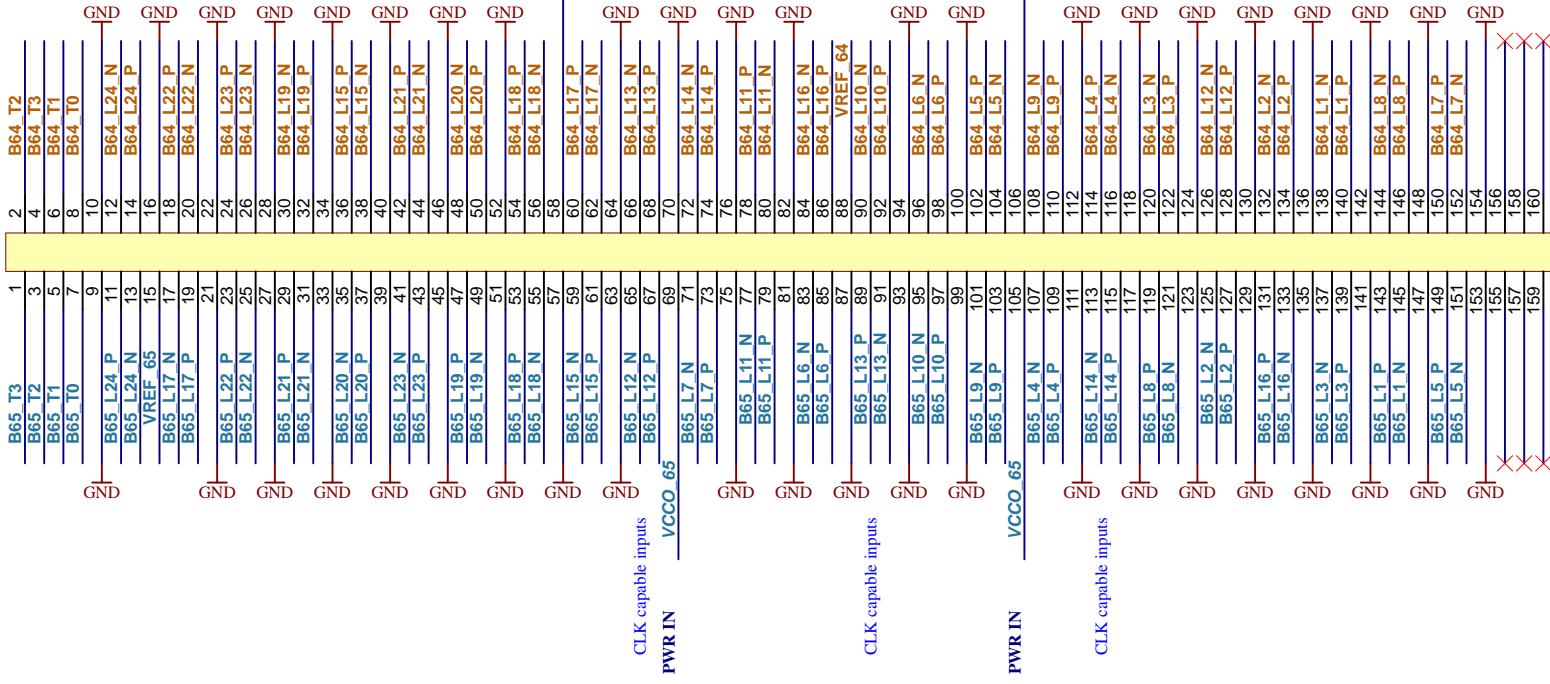
B

C

C

D

D



J4
ST5-80-1.50-L-D-P-TR



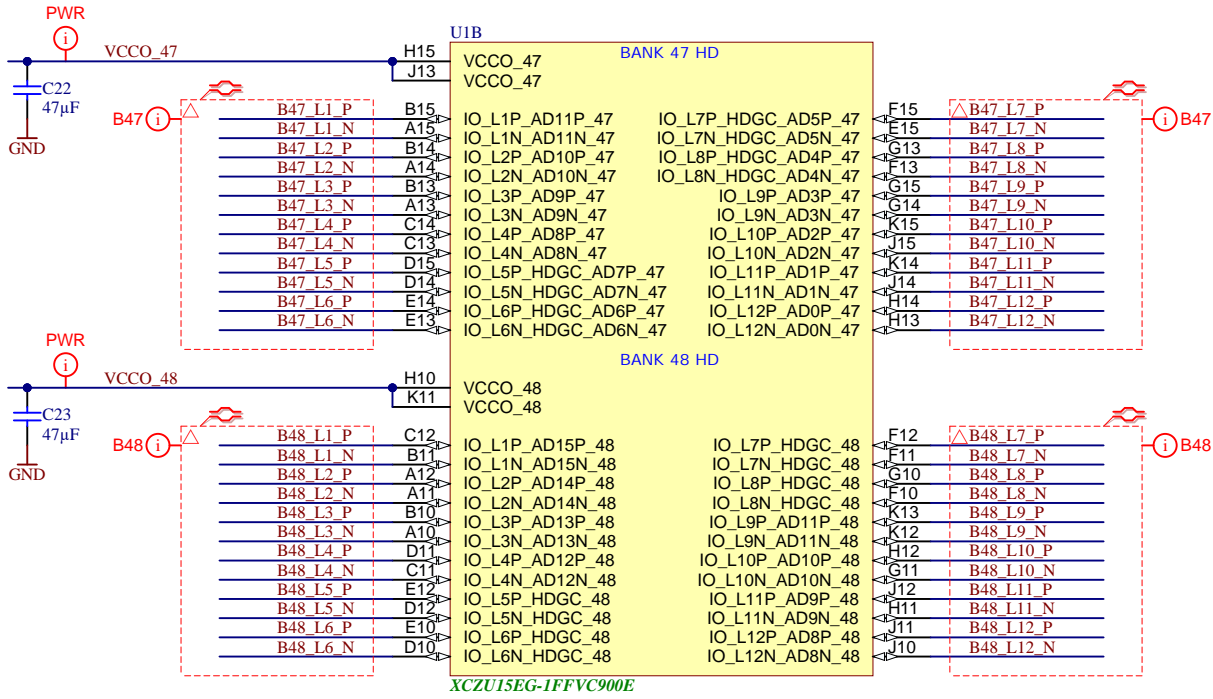
Title: TE0808 - Connector J4		
A4	Number: TE0808 BBE21-E	Rev. 05
Date: 2020-04-02	Copyright: Trenz Electronic GmbH / TT	Page 5 of 28
Filename: J4.SchDoc		

1

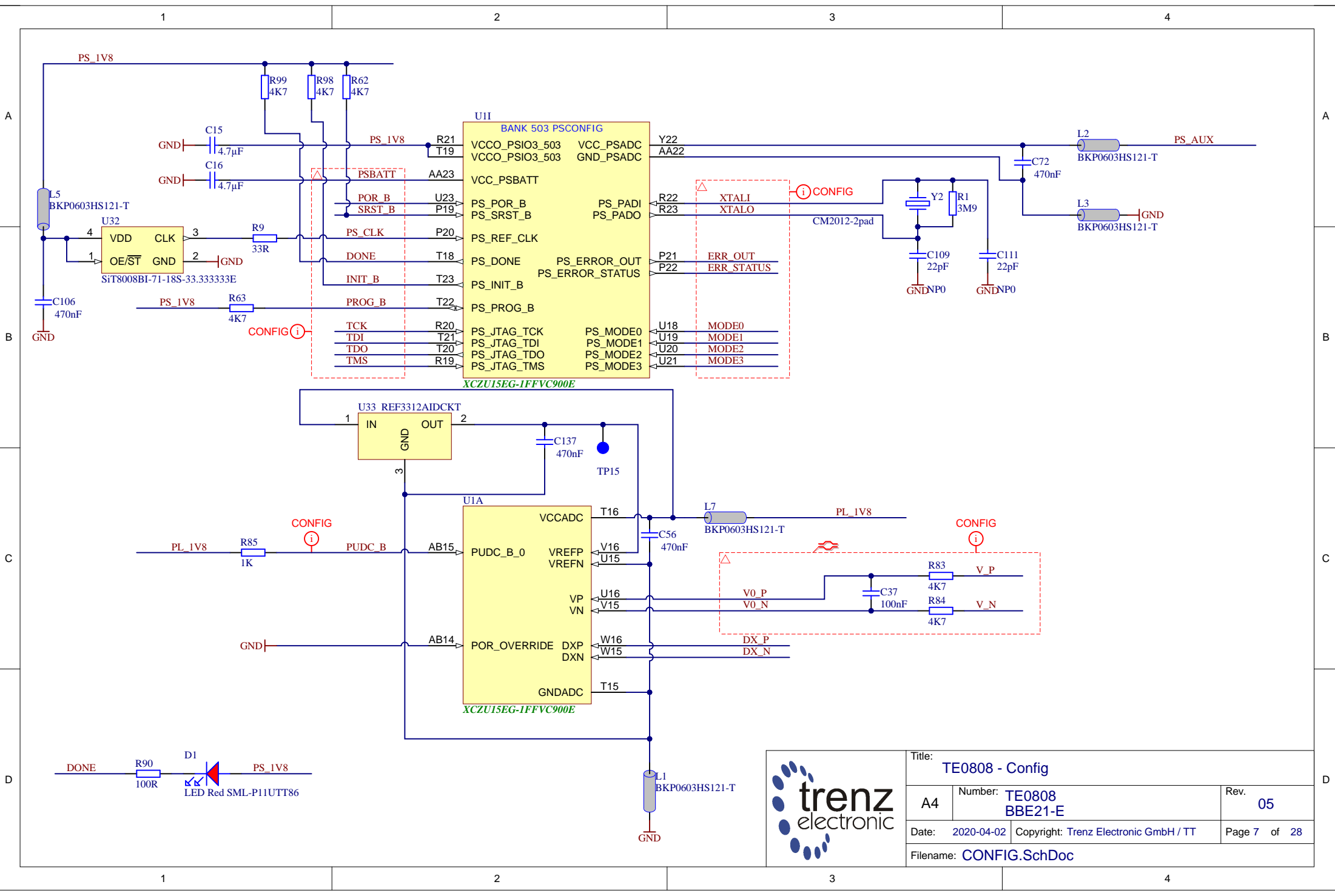
2

3

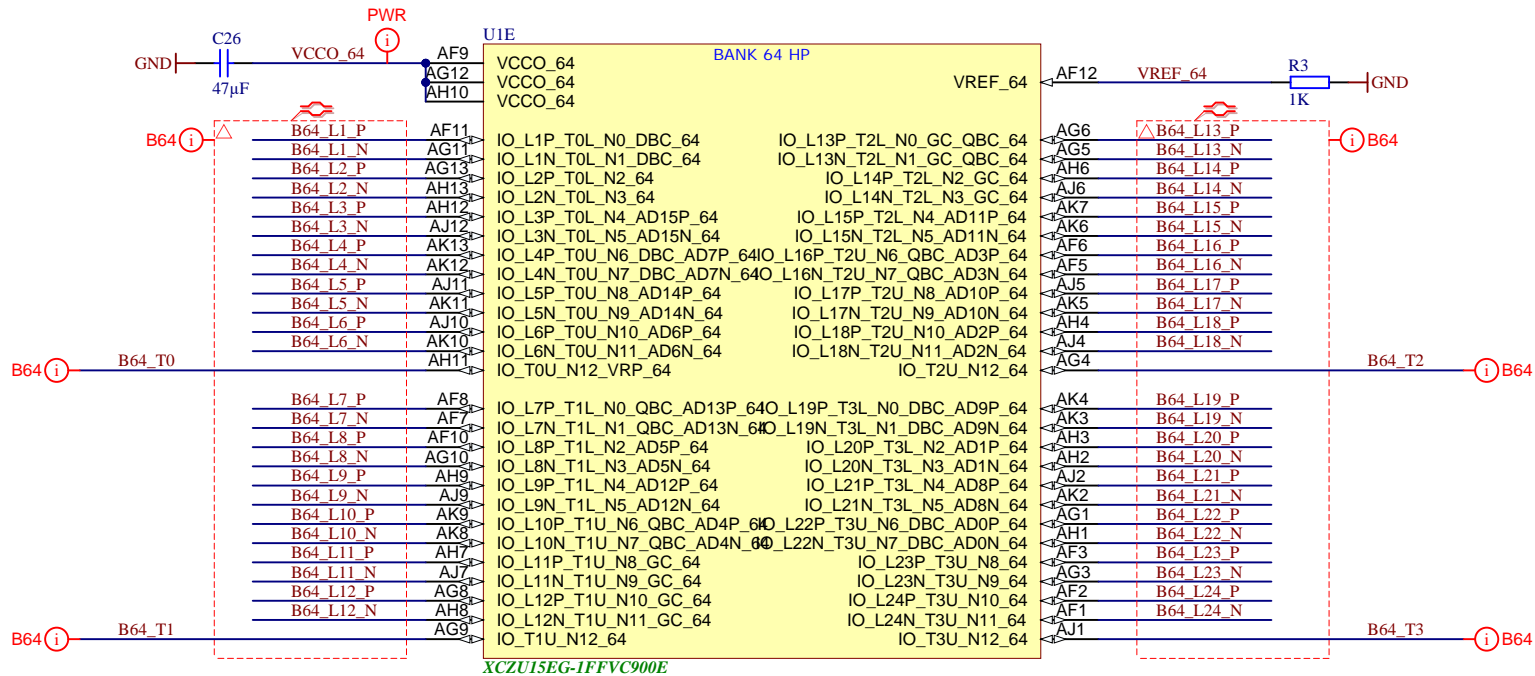
4



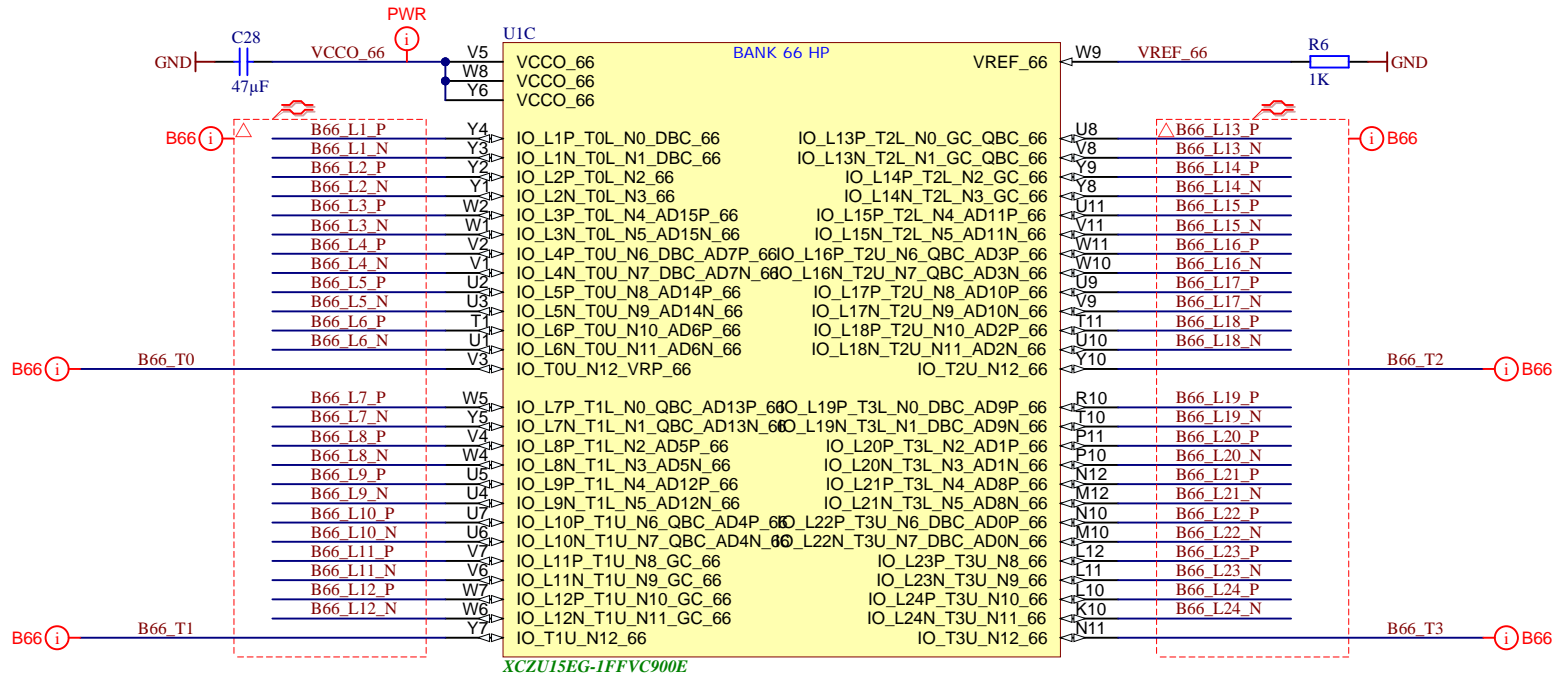
	Title: TE0808 - B47HD and B48HD		
	A4	Number: TE0808 BBE21-E	Rev. 05
	Date: 2020-04-02	Copyright: Trenz Electronic GmbH / TT	Page 6 of 28
	Filename: B_HD.SchDoc		



Title: TE0808 - Config		
A4	Number: TE0808 BBE21-E	Rev. 05
Date: 2020-04-02	Copyright: Trenz Electronic GmbH / TT	Page 7 of 28
Filename: CONFIG.SchDoc		



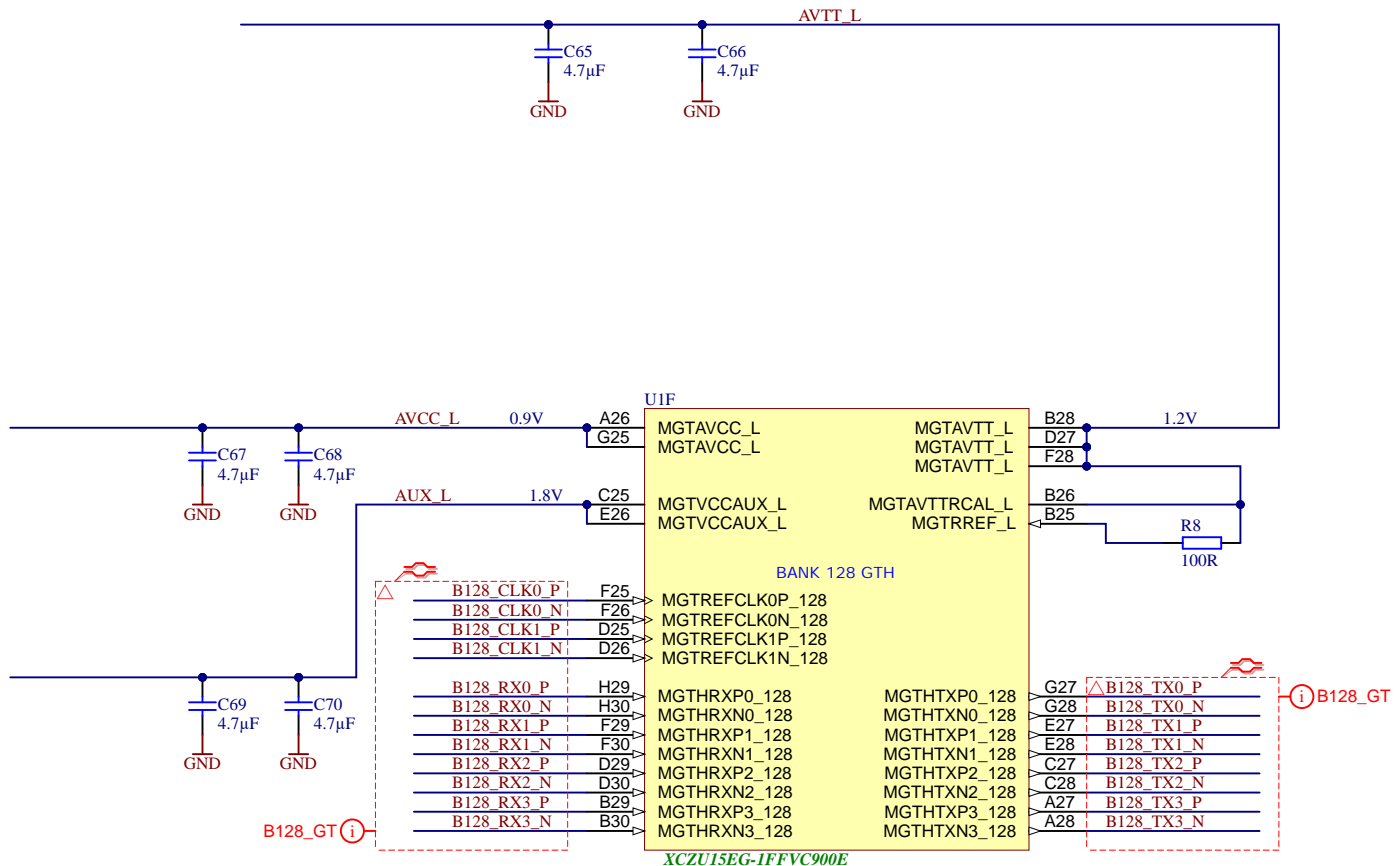
Title: TE0808 - B64		
A4	Number: TE0808 BBE21-E	Rev. 05
Date: 2020-04-02	Copyright: Trenz Electronic GmbH / TT	Page 8 of 28
Filename: B64.SchDoc		



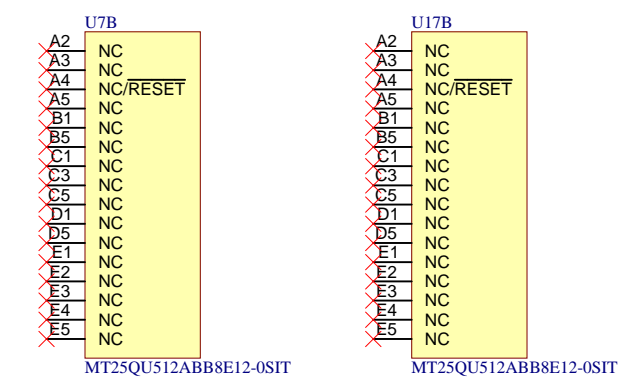
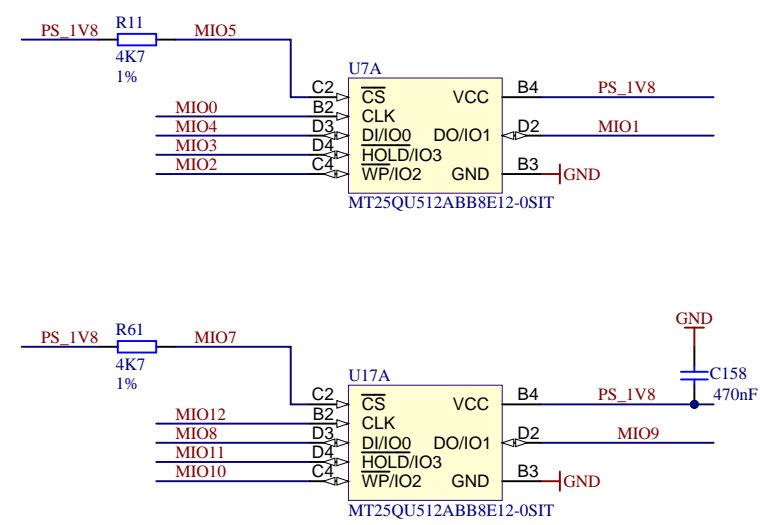
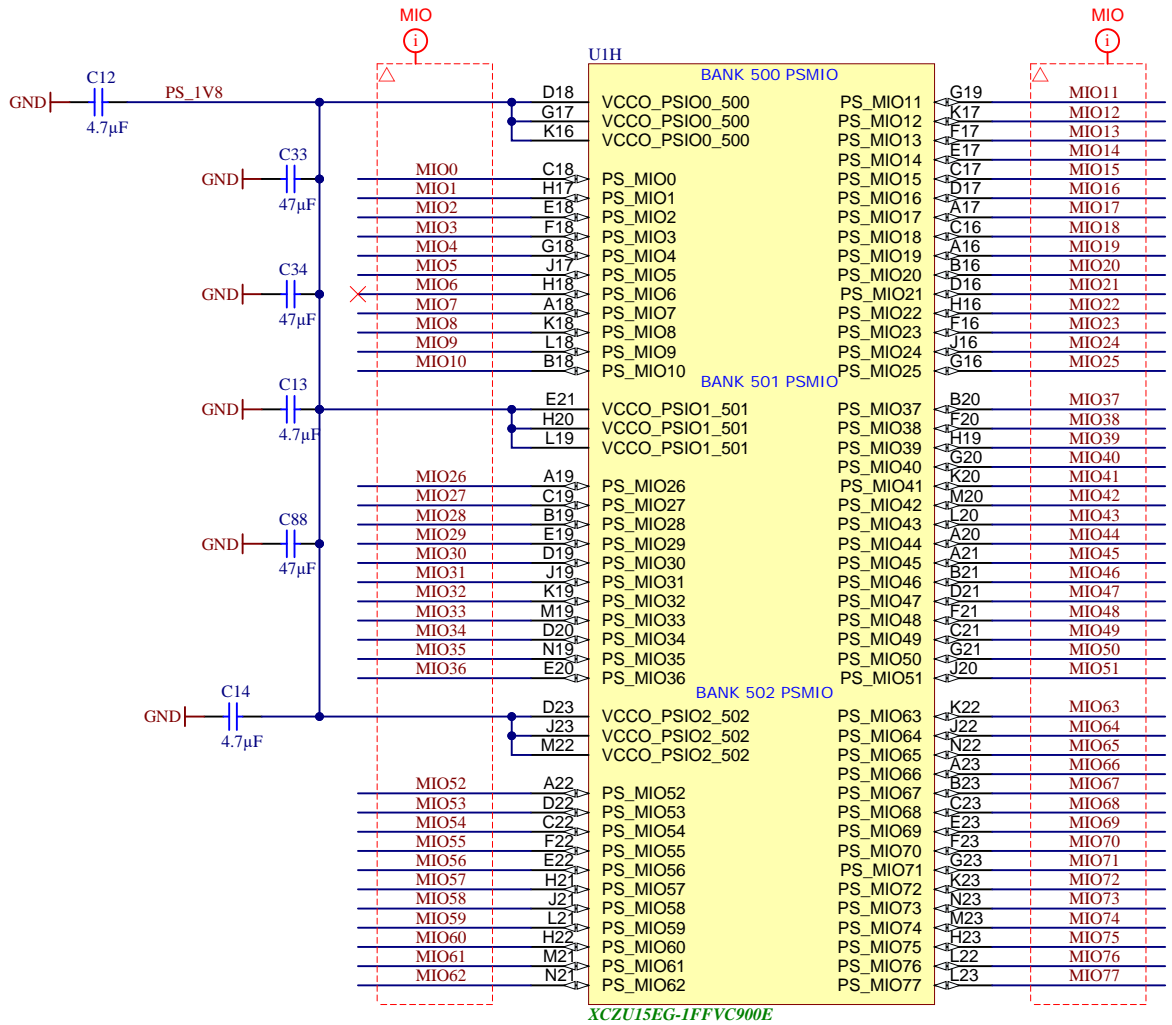
XCZU15EG-1FFVC900E



Title: TE0808 - B66		
A4	Number: TE0808 BBE21-E	Rev. 05
Date: 2020-04-02	Copyright: Trenz Electronic GmbH / TT	Page 10 of 28
Filename: B66.SchDoc		

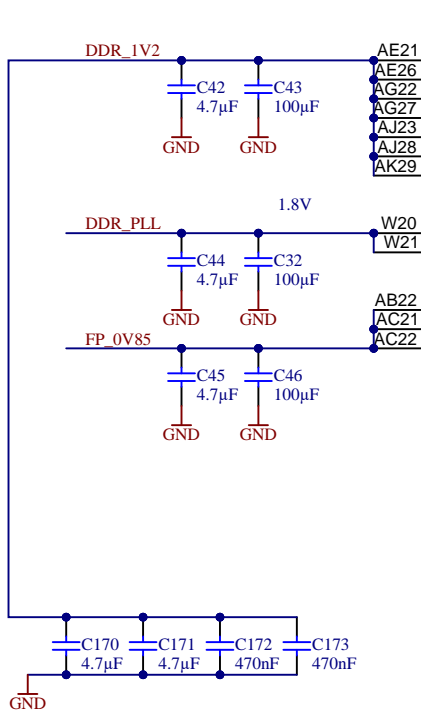


	Title: TE0808 - B128GTH		
	A4	Number: TE0808 BBE21-E	Rev. 05
	Date: 2020-04-02	Copyright: Trenz Electronic GmbH / TT	
	Filename: B_GT_2.SchDoc		Page 12 of 28



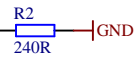
Title: **TE0808 - MIO Banks**

A4	Number: TE0808 BBE21-E	Rev. 05
Date: 2020-04-02		Page 13 of 28
Copyright: Trenz Electronic GmbH / TT		
Filename: B_MIO.SchDoc		



UIJ		BANK 504 PSDDR	
VCCO_PSDDR_504	PS_DDR_CK0	AJ26	DDR4-CLK0_P
VCCO_PSDDR_504	PS_DDR_CK_N0	AJ27	DDR4-CLK0_N
VCCO_PSDDR_504	PS_DDR_CKE0	AJ25	DDR4-CKE0
VCCO_PSDDR_504		AG23	
VCCO_PSDDR_504	PS_DDR_CK1	AG24	
VCCO_PSDDR_504	PS_DDR_CK_N1	AH27	
VCCO_PSDDR_504	PS_DDR_CKE1	AH27	
VCCO_PSDDR_504		AK25	DDR4-A0
VCCO_PSDDR_504	PS_DDR_A0	AK28	DDR4-A1
VCCO_PSDDR_504	PS_DDR_A1	AK27	DDR4-A2
VCCO_PSDDR_504	PS_DDR_A2	AH24	DDR4-A3
VCCO_PSDDR_504	PS_DDR_A3	AK24	DDR4-A4
VCCO_PSDDR_504	PS_DDR_A4	AJ30	DDR4-A5
VCCO_PSDDR_504	PS_DDR_A5	AE22	DDR4-A6
VCCO_PSDDR_504	PS_DDR_A6	AE25	DDR4-A7
VCCO_PSDDR_504	PS_DDR_A7	AE23	DDR4-A8
VCCO_PSDDR_504	PS_DDR_A8	AE24	DDR4-A9
VCCO_PSDDR_504	PS_DDR_A9	AD22	DDR4-A10
VCCO_PSDDR_504	PS_DDR_A10	AH23	DDR4-A11
VCCO_PSDDR_504	PS_DDR_A11	AF21	DDR4-A12
VCCO_PSDDR_504	PS_DDR_A12	AG21	DDR4-A13
VCCO_PSDDR_504	PS_DDR_A13	AF22	DDR4-A14
VCCO_PSDDR_504	PS_DDR_A14	AF23	DDR4-A15
VCCO_PSDDR_504	PS_DDR_A15	AD21	DDR4-A16
VCCO_PSDDR_504	PS_DDR_A16	AD20	DDR4-A17
VCCO_PSDDR_504	PS_DDR_A17		
VCCO_PSDDR_504	PS_DDR_CS_N0	AJ24	DDR4-CS
VCCO_PSDDR_504	PS_DDR_CS_N1	AG25	
VCCO_PSDDR_504	PS_DDR_BA0	AG26	DDR4-BA0
VCCO_PSDDR_504	PS_DDR_BA1	AF25	DDR4-BA1
VCCO_PSDDR_504	PS_DDR_BG0	AF26	DDR4-BG0
VCCO_PSDDR_504	PS_DDR_BG1	AD26	DDR4-BG1
VCCO_PSDDR_504	PS_DDR_PARITY	AC14	DDR4-PAR
VCCO_PSDDR_504	PS_DDR_RAM_RST_N	AC16	DDR4-RESET
VCCO_PSDDR_504	PS_DDR_ACT_N	AC17	DDR4-ACT
VCCO_PSDDR_504	PS_DDR_ALERT_N	AD19	DDR4-ALERT
VCCO_PSDDR_504	PS_DDR_ZQ	AC23	
VCCO_PSDDR_504	PS_DDR_ODT0	AJ29	DDR4-ODT0
VCCO_PSDDR_504	PS_DDR_ODT1	AH26	

XCZU15EG-1FFVC900E



UIK		BANK 504 PSDDR	
DQ0	AK17	PS_DDR_DQ0	PS_DDR_DQ32
DQ1	AH17	PS_DDR_DQ1	PS_DDR_DQ33
DQ2	AJ17	PS_DDR_DQ2	PS_DDR_DQ34
DQ3	AH16	PS_DDR_DQ3	PS_DDR_DQ35
DQ4	AK15	PS_DDR_DQ4	PS_DDR_DQ36
DQ5	AK14	PS_DDR_DQ5	PS_DDR_DQ37
DQ6	AJ14	PS_DDR_DQ6	PS_DDR_DQ38
DQ7	AH14	PS_DDR_DQ7	PS_DDR_DQ39
DQ8	AK19	PS_DDR_DQ8	PS_DDR_DQ40
DQ9	AK18	PS_DDR_DQ9	PS_DDR_DQ41
DQ10	AJ19	PS_DDR_DQ10	PS_DDR_DQ42
DQ11	AH19	PS_DDR_DQ11	PS_DDR_DQ43
DQ12	AK21	PS_DDR_DQ12	PS_DDR_DQ44
DQ13	AK22	PS_DDR_DQ13	PS_DDR_DQ45
DQ14	AH21	PS_DDR_DQ14	PS_DDR_DQ46
DQ15	AJ22	PS_DDR_DQ15	PS_DDR_DQ47
DQ16	AG12	PS_DDR_DQ16	PS_DDR_DQ48
DQ17	AG15	PS_DDR_DQ17	PS_DDR_DQ49
DQ18	AG16	PS_DDR_DQ18	PS_DDR_DQ50
DQ19	AF16	PS_DDR_DQ19	PS_DDR_DQ51
DQ20	AD14	PS_DDR_DQ20	PS_DDR_DQ52
DQ21	AD16	PS_DDR_DQ21	PS_DDR_DQ53
DQ22	AD15	PS_DDR_DQ22	PS_DDR_DQ54
DQ23	AD17	PS_DDR_DQ23	PS_DDR_DQ55
DQ24	AE17	PS_DDR_DQ24	PS_DDR_DQ56
DQ25	AE18	PS_DDR_DQ25	PS_DDR_DQ57
DQ26	AE20	PS_DDR_DQ26	PS_DDR_DQ58
DQ27	AE19	PS_DDR_DQ27	PS_DDR_DQ59
DQ28	AG18	PS_DDR_DQ28	PS_DDR_DQ60
DQ29	AH18	PS_DDR_DQ29	PS_DDR_DQ61
DQ30	AG19	PS_DDR_DQ30	PS_DDR_DQ62
DQ31	AG20	PS_DDR_DQ31	PS_DDR_DQ63
		PS_DDR_DQ64	PS_DDR_DQ65
		PS_DDR_DQ66	PS_DDR_DQ67
		PS_DDR_DQ68	PS_DDR_DQ69
		PS_DDR_DQ70	PS_DDR_DQ71
		PS_DDR_DQ72	PS_DDR_DQ73
		PS_DDR_DQ74	PS_DDR_DQ75
		PS_DDR_DQ76	PS_DDR_DQ77
		PS_DDR_DQ78	PS_DDR_DQ79
		PS_DDR_DQ80	PS_DDR_DQ81
		PS_DDR_DQ82	PS_DDR_DQ83
		PS_DDR_DQ84	PS_DDR_DQ85
		PS_DDR_DQ86	PS_DDR_DQ87
		PS_DDR_DQ88	PS_DDR_DQ89
		PS_DDR_DQ90	PS_DDR_DQ91
		PS_DDR_DQ92	PS_DDR_DQ93
		PS_DDR_DQ94	PS_DDR_DQ95
		PS_DDR_DQ96	PS_DDR_DQ97
		PS_DDR_DQ98	PS_DDR_DQ99
		PS_DDR_DQ100	PS_DDR_DQ101
		PS_DDR_DQ102	PS_DDR_DQ103
		PS_DDR_DQ104	PS_DDR_DQ105
		PS_DDR_DQ106	PS_DDR_DQ107
		PS_DDR_DQ108	PS_DDR_DQ109
		PS_DDR_DQ110	PS_DDR_DQ111
		PS_DDR_DQ112	PS_DDR_DQ113
		PS_DDR_DQ114	PS_DDR_DQ115
		PS_DDR_DQ116	PS_DDR_DQ117
		PS_DDR_DQ118	PS_DDR_DQ119
		PS_DDR_DQ120	PS_DDR_DQ121
		PS_DDR_DQ122	PS_DDR_DQ123
		PS_DDR_DQ124	PS_DDR_DQ125
		PS_DDR_DQ126	PS_DDR_DQ127
		PS_DDR_DQ128	PS_DDR_DQ129
		PS_DDR_DQ130	PS_DDR_DQ131
		PS_DDR_DQ132	PS_DDR_DQ133
		PS_DDR_DQ134	PS_DDR_DQ135
		PS_DDR_DQ136	PS_DDR_DQ137
		PS_DDR_DQ138	PS_DDR_DQ139
		PS_DDR_DQ140	PS_DDR_DQ141
		PS_DDR_DQ142	PS_DDR_DQ143
		PS_DDR_DQ144	PS_DDR_DQ145
		PS_DDR_DQ146	PS_DDR_DQ147
		PS_DDR_DQ148	PS_DDR_DQ149
		PS_DDR_DQ150	PS_DDR_DQ151
		PS_DDR_DQ152	PS_DDR_DQ153
		PS_DDR_DQ154	PS_DDR_DQ155
		PS_DDR_DQ156	PS_DDR_DQ157
		PS_DDR_DQ158	PS_DDR_DQ159
		PS_DDR_DQ160	PS_DDR_DQ161
		PS_DDR_DQ162	PS_DDR_DQ163
		PS_DDR_DQ164	PS_DDR_DQ165
		PS_DDR_DQ166	PS_DDR_DQ167
		PS_DDR_DQ168	PS_DDR_DQ169
		PS_DDR_DQ170	PS_DDR_DQ171
		PS_DDR_DQ172	PS_DDR_DQ173
		PS_DDR_DQ174	PS_DDR_DQ175
		PS_DDR_DQ176	PS_DDR_DQ177
		PS_DDR_DQ178	PS_DDR_DQ179
		PS_DDR_DQ180	PS_DDR_DQ181
		PS_DDR_DQ182	PS_DDR_DQ183
		PS_DDR_DQ184	PS_DDR_DQ185
		PS_DDR_DQ186	PS_DDR_DQ187
		PS_DDR_DQ188	PS_DDR_DQ189
		PS_DDR_DQ190	PS_DDR_DQ191
		PS_DDR_DQ192	PS_DDR_DQ193
		PS_DDR_DQ194	PS_DDR_DQ195
		PS_DDR_DQ196	PS_DDR_DQ197
		PS_DDR_DQ198	PS_DDR_DQ199
		PS_DDR_DQ200	PS_DDR_DQ201
		PS_DDR_DQ202	PS_DDR_DQ203
		PS_DDR_DQ204	PS_DDR_DQ205
		PS_DDR_DQ206	PS_DDR_DQ207
		PS_DDR_DQ208	PS_DDR_DQ209
		PS_DDR_DQ210	PS_DDR_DQ211
		PS_DDR_DQ212	PS_DDR_DQ213
		PS_DDR_DQ214	PS_DDR_DQ215
		PS_DDR_DQ216	PS_DDR_DQ217
		PS_DDR_DQ218	PS_DDR_DQ219
		PS_DDR_DQ220	PS_DDR_DQ221
		PS_DDR_DQ222	PS_DDR_DQ223
		PS_DDR_DQ224	PS_DDR_DQ225
		PS_DDR_DQ226	PS_DDR_DQ227
		PS_DDR_DQ228	PS_DDR_DQ229
		PS_DDR_DQ230	PS_DDR_DQ231
		PS_DDR_DQ232	PS_DDR_DQ233
		PS_DDR_DQ234	PS_DDR_DQ235
		PS_DDR_DQ236	PS_DDR_DQ237
		PS_DDR_DQ238	PS_DDR_DQ239
		PS_DDR_DQ240	PS_DDR_DQ241
		PS_DDR_DQ242	PS_DDR_DQ243
		PS_DDR_DQ244	PS_DDR_DQ245
		PS_DDR_DQ246	PS_DDR_DQ247
		PS_DDR_DQ248	PS_DDR_DQ249
		PS_DDR_DQ250	PS_DDR_DQ251
		PS_DDR_DQ252	PS_DDR_DQ253
		PS_DDR_DQ254	PS_DDR_DQ255
		PS_DDR_DQ256	PS_DDR_DQ257
		PS_DDR_DQ258	PS_DDR_DQ259
		PS_DDR_DQ260	PS_DDR_DQ261
		PS_DDR_DQ262	PS_DDR_DQ263
		PS_DDR_DQ264	PS_DDR_DQ265
		PS_DDR_DQ266	PS_DDR_DQ267
		PS_DDR_DQ268	PS_DDR_DQ269
		PS_DDR_DQ270	PS_DDR_DQ271
		PS_DDR_DQ272	PS_DDR_DQ273
		PS_DDR_DQ274	PS_DDR_DQ275
		PS_DDR_DQ276	PS_DDR_DQ277
		PS_DDR_DQ278	PS_DDR_DQ279
		PS_DDR_DQ280	PS_DDR_DQ281
		PS_DDR_DQ282	PS_DDR_DQ283
		PS_DDR_DQ284	PS_DDR_DQ285
		PS_DDR_DQ286	PS_DDR_DQ287
		PS_DDR_DQ288	PS_DDR_DQ289
		PS_DDR_DQ290	PS_DDR_DQ291
		PS_DDR_DQ292	PS_DDR_DQ293
		PS_DDR_DQ294	PS_DDR_DQ295
		PS_DDR_DQ296	PS_DDR_DQ297
		PS_DDR_DQ298	PS_DDR_DQ299
		PS_DDR_DQ300	PS_DDR_DQ301
		PS_DDR_DQ302	PS_DDR_DQ303
		PS_DDR_DQ304	PS_DDR_DQ305
		PS_DDR_DQ306	PS_DDR_DQ307
		PS_DDR_DQ308	PS_DDR_DQ309
		PS_DDR_DQ310	PS_DDR_DQ311
		PS_DDR_DQ312	PS_DDR_DQ313
		PS_DDR_DQ314	PS_DDR_DQ315
		PS_DDR_DQ316	PS_DDR_DQ317
		PS_DDR_DQ318	PS_DDR_DQ319
		PS_DDR_DQ320	PS_DDR_DQ321
		PS_DDR_DQ322	PS_DDR_DQ323
		PS_DDR_DQ324	PS_DDR_DQ325
		PS_DDR_DQ326	PS_DDR_DQ327
		PS_DDR_DQ328	PS_DDR_DQ329
		PS_DDR_DQ330	PS_DDR_DQ331
		PS_DDR_DQ332	PS_DDR_DQ333
		PS_DDR_DQ334	PS_DDR_DQ335
		PS_DDR_DQ336	PS_DDR_DQ337
		PS_DDR_DQ338	PS_DDR_DQ339
		PS_DDR_DQ340	PS_DDR_DQ341
		PS_DDR_DQ342	PS_DDR_DQ343
		PS_DDR_DQ344	PS_DDR_DQ345
		PS_DDR_DQ346	PS_DDR_DQ347
		PS_DDR_DQ348	PS_DDR_DQ349
		PS_DDR_DQ350	PS_DDR_DQ351
		PS_DDR_DQ352	PS_DDR_DQ353
		PS_DDR_DQ354	PS_DDR_DQ355
		PS_DDR_DQ356	PS_DDR_DQ357
		PS_DDR_DQ358	PS_DDR_DQ359
		PS_DDR_DQ360	PS_DDR_DQ361
		PS_DDR_DQ362	PS_DDR_DQ363
		PS_DDR_DQ364	PS_DDR_DQ365
		PS_DDR_DQ366	PS_DDR_DQ367
		PS_DDR_DQ368	PS_DDR_DQ369
		PS_DDR_DQ370	PS_DDR_DQ371
		PS_DDR_DQ372	PS_DDR_DQ373
		PS_DDR_DQ374	PS_DDR_DQ375
		PS_DDR_DQ376	PS_DDR_DQ377
		PS_DDR_DQ378	PS_DDR_DQ379
		PS_DDR_DQ380	PS_DDR_DQ381
		PS_DDR_DQ382	PS_DDR_DQ383
		PS_DDR_DQ384	PS_DDR_DQ385
		PS_DDR_DQ386	PS_DDR_DQ387
		PS_DDR_DQ388	PS_DDR_DQ389
		PS_DDR_DQ390	PS_DDR_DQ391
		PS_DDR_DQ392	PS_DDR_DQ393
		PS_DDR_DQ394	PS_DDR_DQ395
		PS_DDR_DQ396	PS_DDR_DQ397
		PS_DDR_DQ398	PS_DDR_DQ399
		PS_DDR_DQ400	PS_DDR_DQ401
		PS_DDR_DQ402	PS_DDR_DQ403
		PS_DDR_DQ404	PS_DDR_DQ405
		PS_DDR_DQ406	PS_DDR_DQ407
		PS_DDR_DQ408	PS_DDR_DQ409
		PS_DDR_DQ410	PS_DDR_DQ411
		PS_DDR_DQ412	PS_DDR_DQ413
		PS_DDR_DQ414	PS_DDR_DQ415
		PS_DDR_DQ416	PS_DDR_DQ417
		PS_DDR_DQ418	PS_DDR_DQ419
		PS_DDR_DQ420	PS_DDR_DQ421
		PS_DDR_DQ422	PS_DDR_DQ423
		PS_DDR_DQ424	PS_DDR_DQ425
		PS_DDR_DQ426	PS_DDR_DQ427
		PS_DDR_DQ428	PS_DDR_DQ429
		PS_DDR_DQ430	PS_DDR_DQ431
		PS_DDR_DQ432	PS_DDR_DQ433
		PS_DDR_DQ434	PS_DDR_DQ435
		PS_DDR_DQ436	PS_DDR_DQ437
		PS_DDR_DQ438	PS_DDR_DQ439
		PS_DDR_DQ440	PS_DDR_DQ441
		PS_DDR_DQ442	PS_DDR_DQ443
		PS_DDR_DQ444	PS_DDR_DQ445
		PS_DDR_DQ446	PS_DDR_DQ447
		PS_DDR_DQ448	PS_DDR_DQ449
		PS_DDR_DQ450	PS_DDR_DQ451
		PS_DDR_DQ452	PS_DDR_DQ453
		PS_DDR_DQ454	PS_DDR_DQ455
		PS_DDR_DQ456	PS_DDR_DQ457
		PS_DDR_DQ458	PS_DDR_DQ459
		PS_DDR_DQ460	PS_DDR_DQ461
		PS_DDR_DQ462	PS_DDR_DQ463
		PS_DDR_DQ464	PS_DDR_DQ465
		PS_DDR_DQ466	PS_DDR_DQ467
		PS_DDR_DQ468	PS_DDR_DQ469
		PS_DDR_DQ470	PS_DDR_DQ471
		PS_DDR_DQ472	PS_DDR_DQ473
		PS_DDR_DQ474	PS_DDR_DQ475
		PS_DDR_DQ476	PS_DDR_DQ477
		PS_DDR_DQ478	PS_DDR_DQ479
		PS_DDR_DQ480	PS_DDR_DQ481
		PS_DDR_DQ482	PS_DDR_DQ483
		PS_DDR_DQ484	PS_DDR_DQ485
		PS_DDR_DQ486	PS_DDR_DQ487
		PS_DDR_DQ488	PS_DDR_DQ489
		PS_DDR_DQ490	PS_DDR_DQ491
		PS_DDR_DQ492	PS_DDR_DQ493
		PS_DDR_DQ494	PS_DDR_DQ495
		PS_DDR_DQ496	PS_DDR_DQ497
		PS_DDR_DQ498	PS_DDR_DQ499
		PS_DDR_DQ500	PS_DDR_DQ501
		PS_DDR_DQ502	PS_DDR_DQ503
		PS_DDR_DQ504	PS_DDR_DQ505
		PS_DDR_DQ506	PS_DDR_DQ507
		PS_DDR_DQ508	PS_DDR_DQ509
		PS_DDR_DQ510	PS_DDR_DQ511
		PS_DDR_DQ512	PS_DDR_DQ513
		PS_DDR_DQ514	PS_DDR_DQ515
		PS_DDR_DQ516	PS_DDR_DQ517
		PS_DDR_DQ518	PS_DDR_DQ519
		PS_DDR_DQ520	PS_DDR_DQ521
		PS_DDR_DQ522	

1

2

3

4

A

A

B

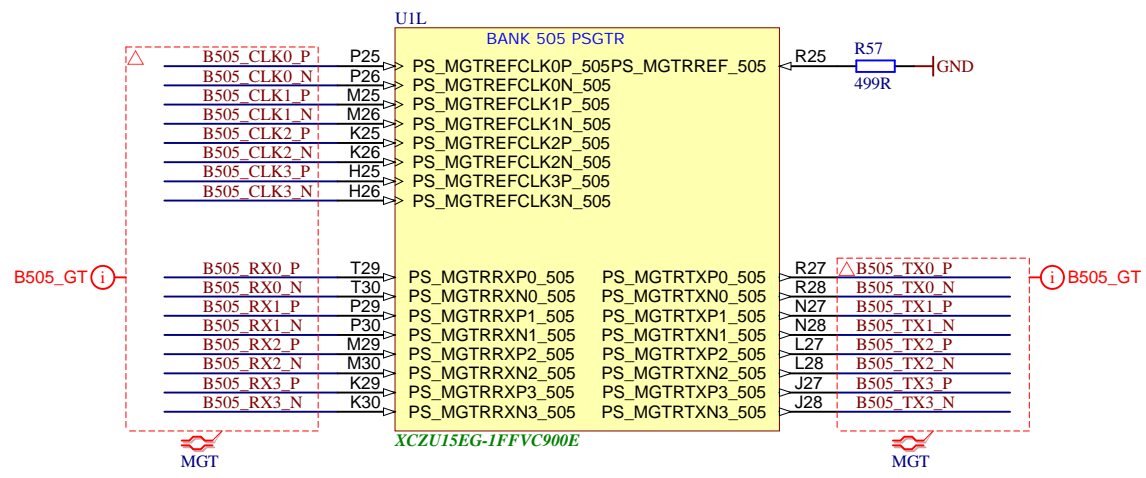

B

C

C

D

D

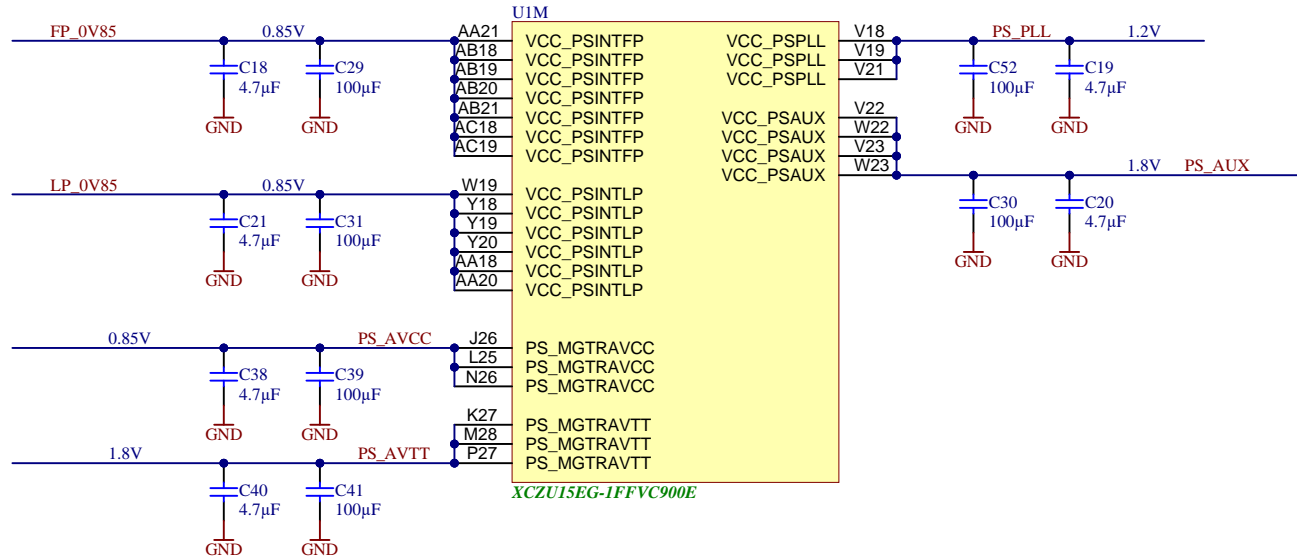
Title: TE0808 - PS_GT		
A4	Number: TE0808 BBE21-E	Rev. 05
Date: 2020-04-02	Copyright: Trenz Electronic GmbH / TT	Page 15 of 28
Filename: B_PS_GT.SchDoc		


1

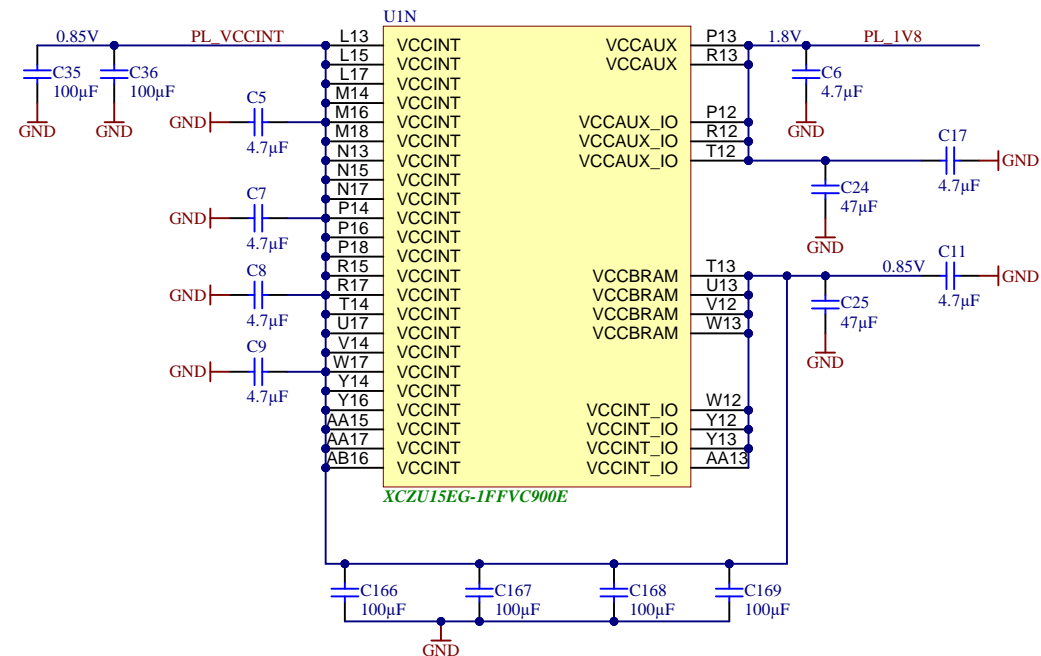
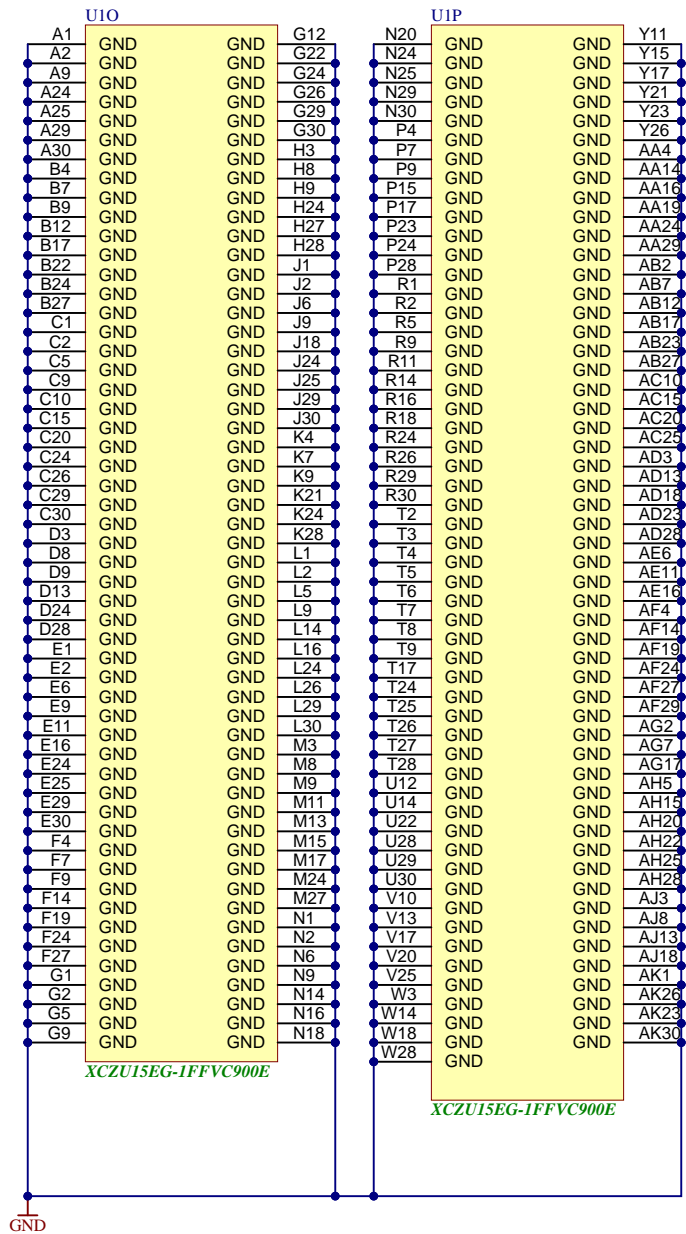
2

3

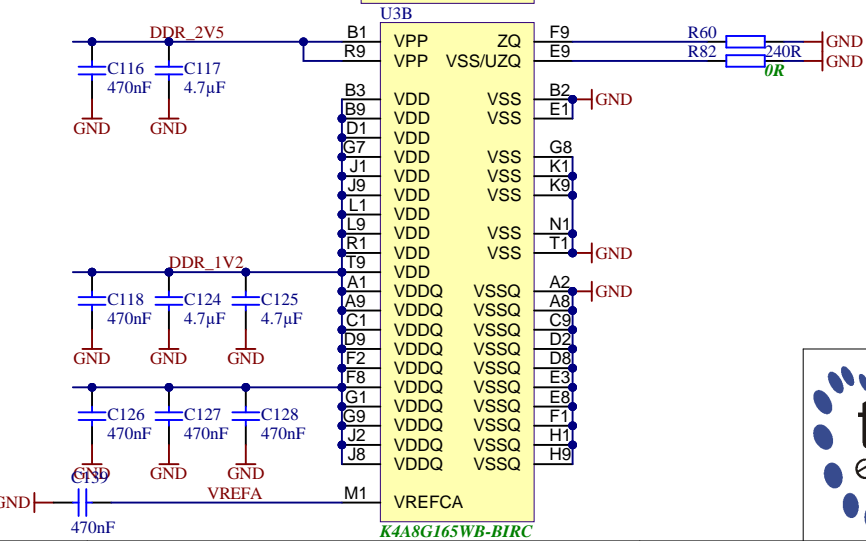
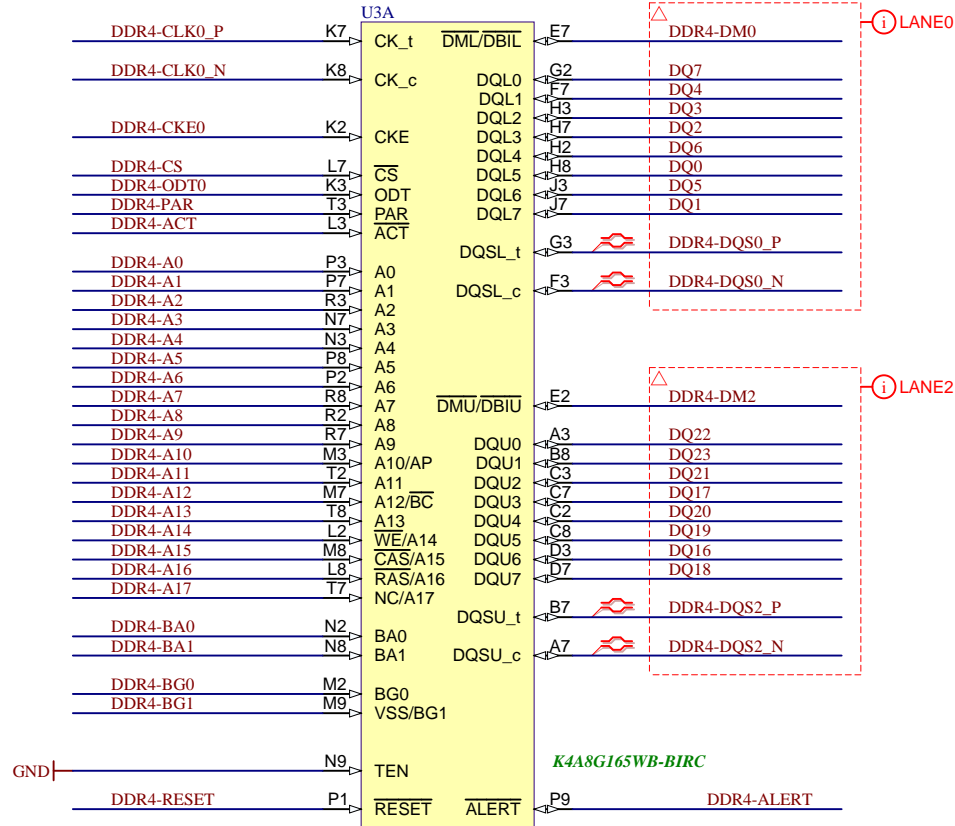
4



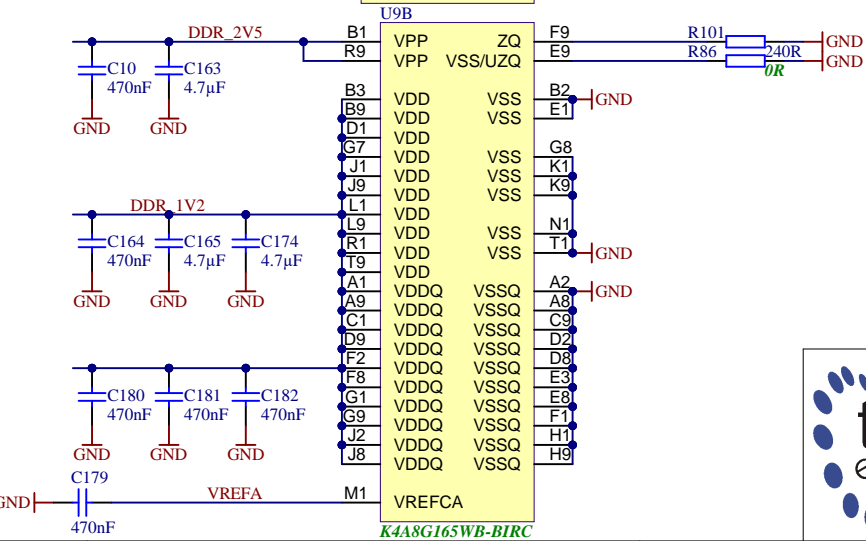
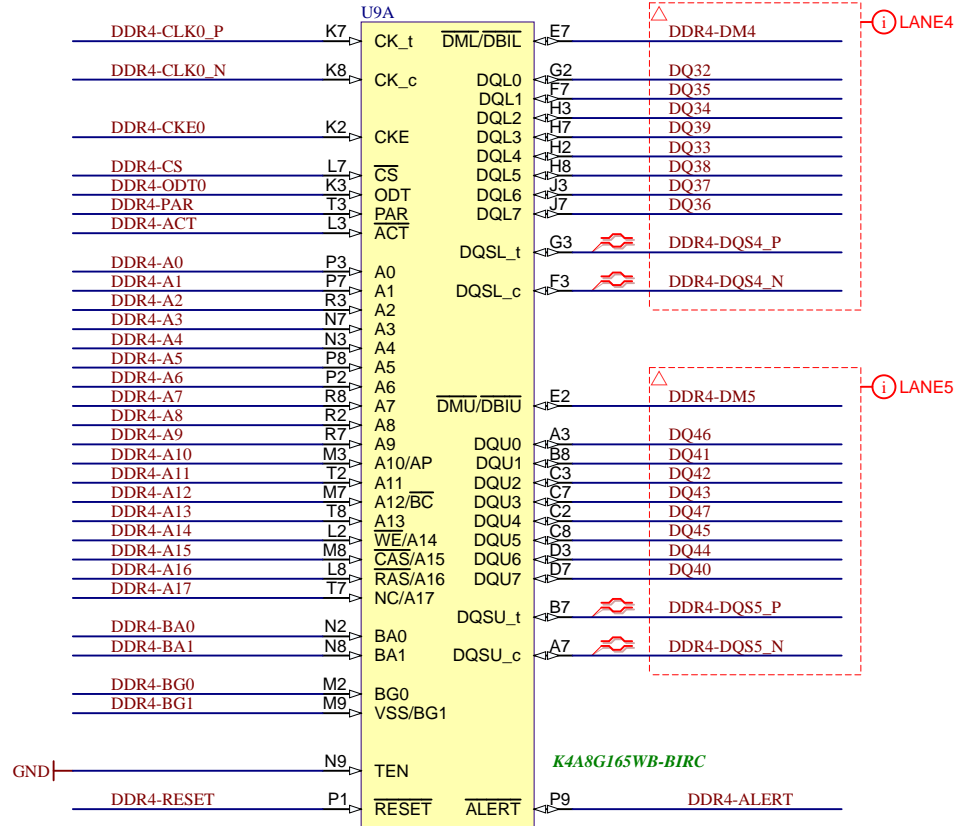
	Title: TE0808 - ZU_PS_POWER		
	A4	Number: TE0808 BBE21-E	Rev. 05
	Date: 2020-04-02	Copyright: Trenz Electronic GmbH / TT	Page 16 of 28
	Filename: ZU_PS_POWER.SchDoc		



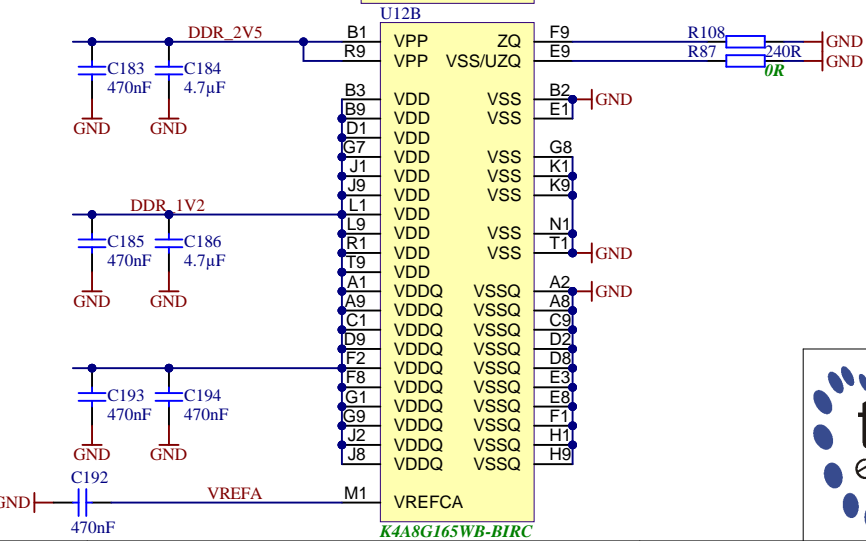
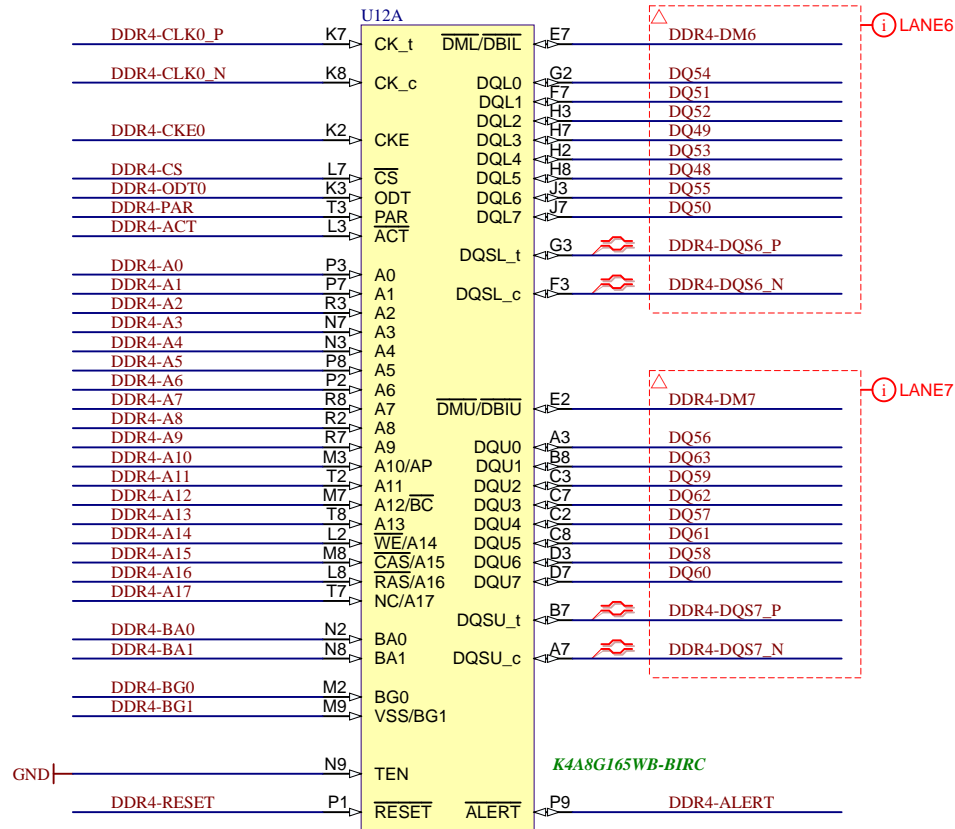
Title: TE0808 - ZU_POWER		
A4	Number: TE0808 BBE21-E	Rev. 05
Date: 2020-04-02	Copyright: Trenz Electronic GmbH / TT	Page 17 of 28
Filename: ZU_POWER.SchDoc		



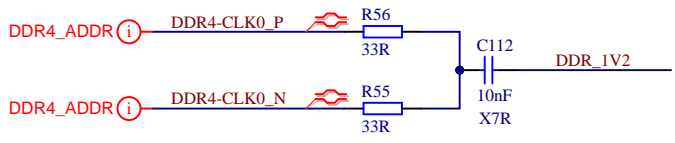
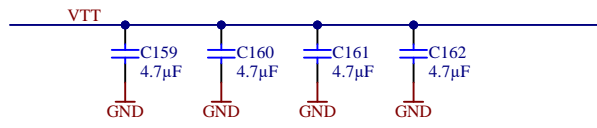
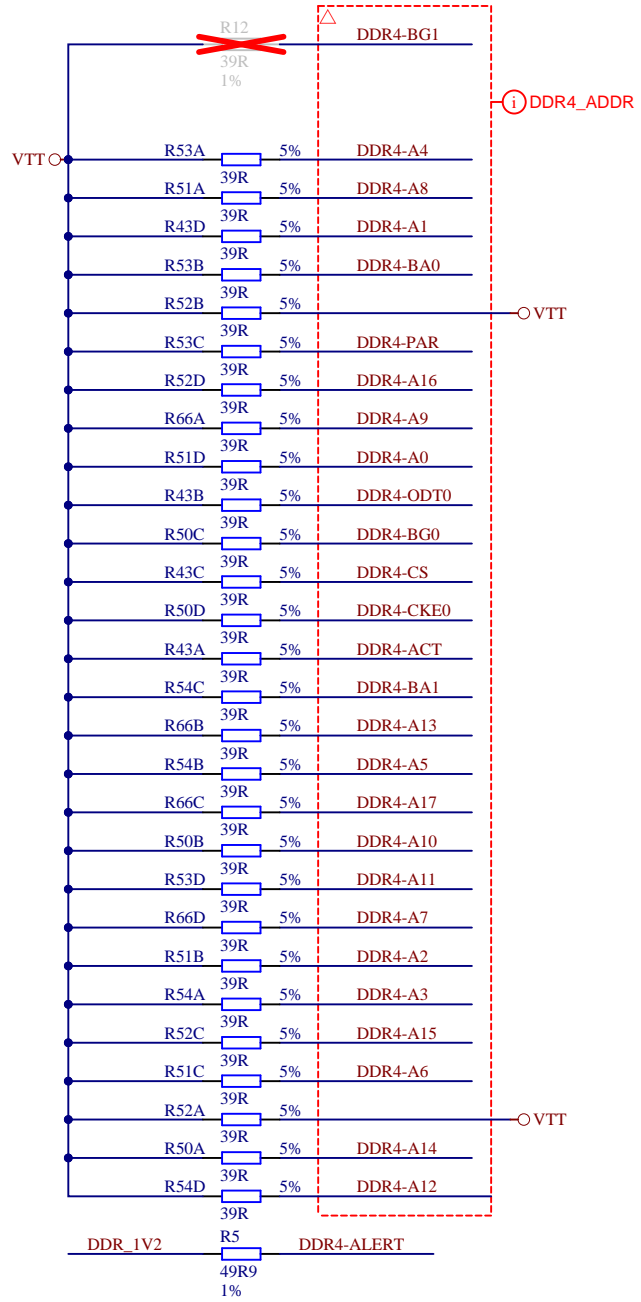
Title: TE0808 - DDR4_2_RAM		
A4	Number: TE0808 BBE21-E	Rev. 05
Date: 2020-04-02	Copyright: Trenz Electronic GmbH / TT	Page 19 of 28
Filename: DDR4-RAM_2.SchDoc		



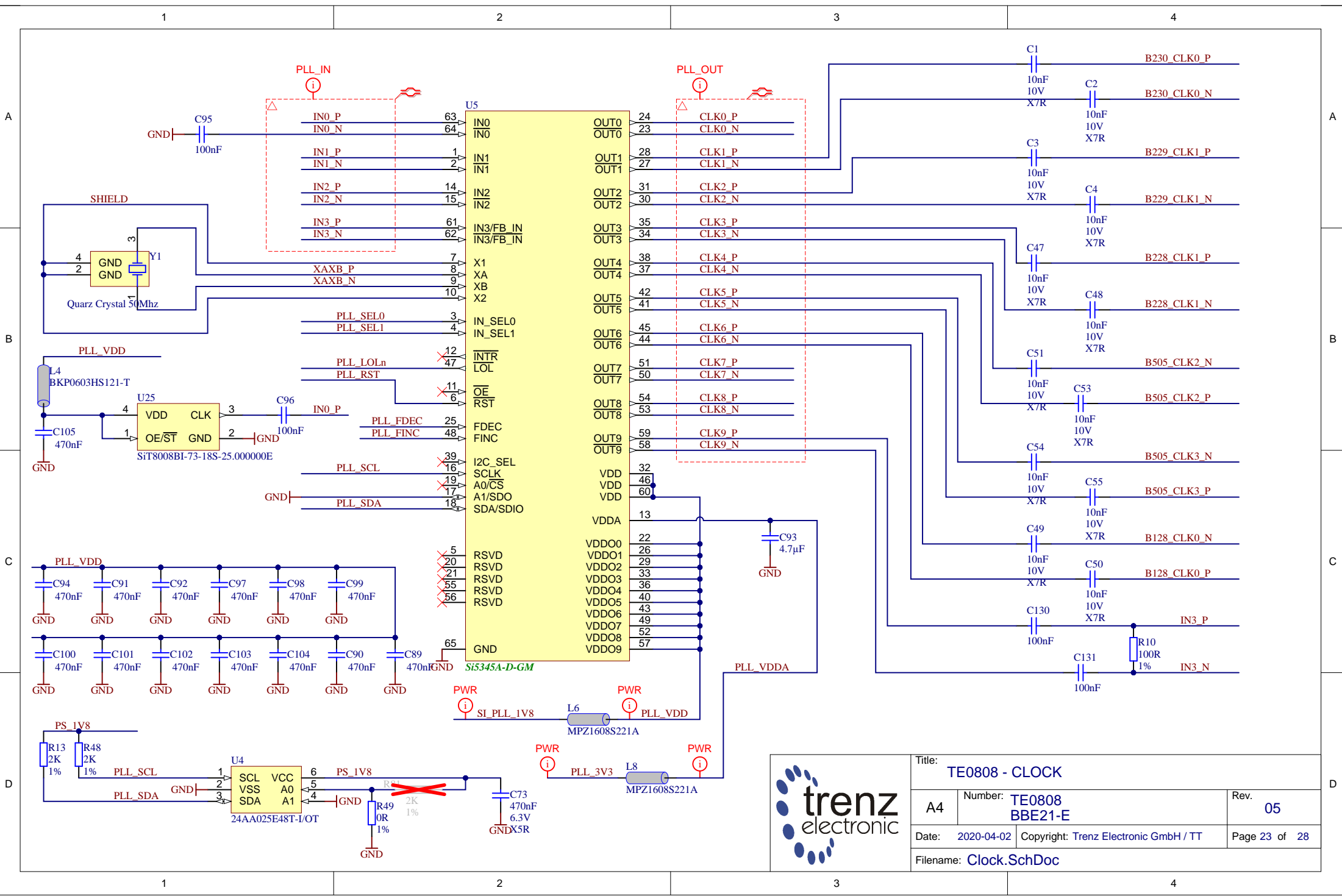
Title: TE0808 - DDR4_3_RAM		
A4	Number: TE0808 BBE21-E	Rev. 05
Date: 2020-04-02	Copyright: Trenz Electronic GmbH / TT	Page 20 of 28
Filename: DDR4-RAM_3.SchDoc		



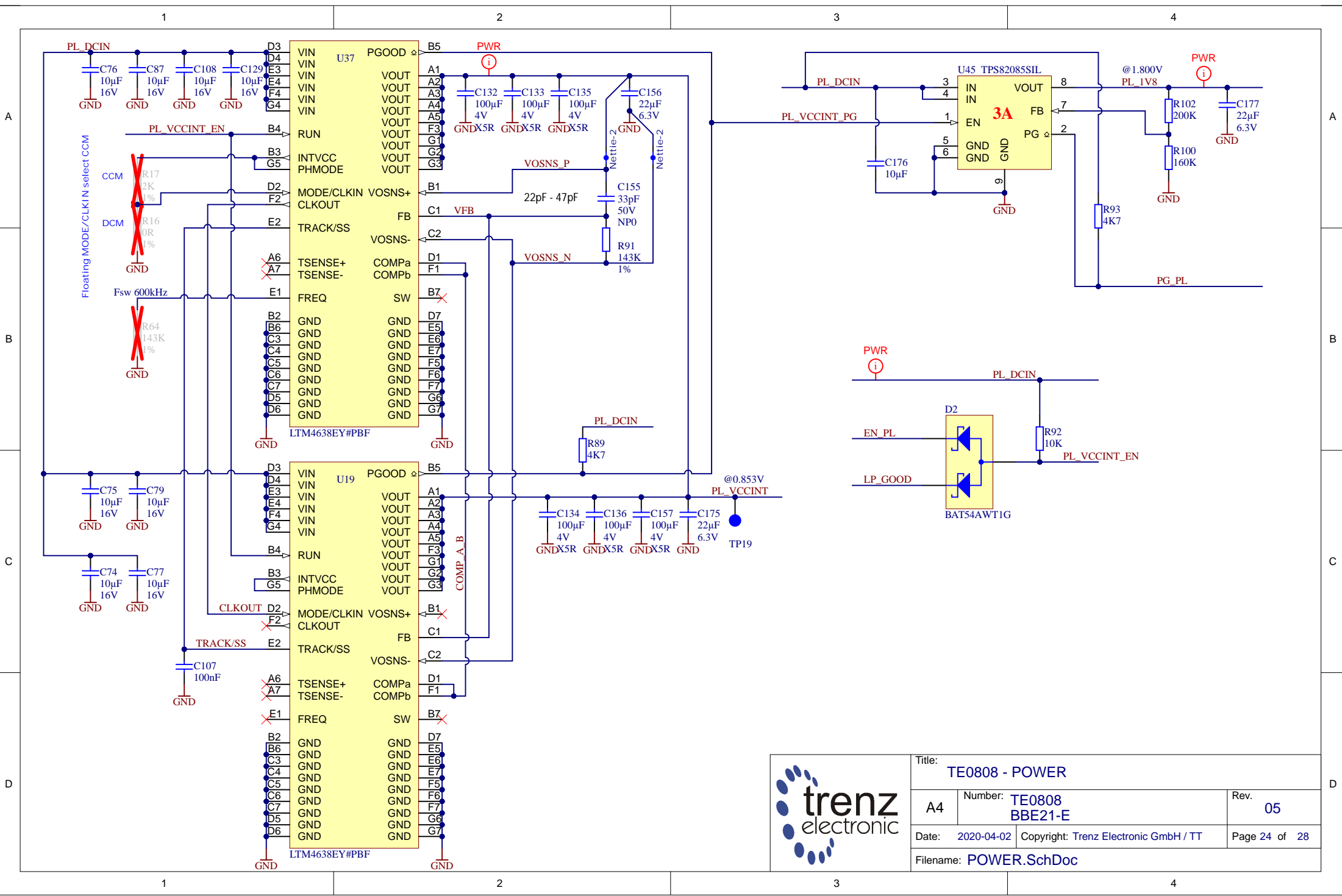
Title: TE0808 - DDR4_4_RAM		
A4	Number: TE0808 BBE21-E	Rev. 05
Date: 2020-04-02	Copyright: Trenz Electronic GmbH / TT	Page 21 of 28
Filename: DDR4-RAM_4.SchDoc		



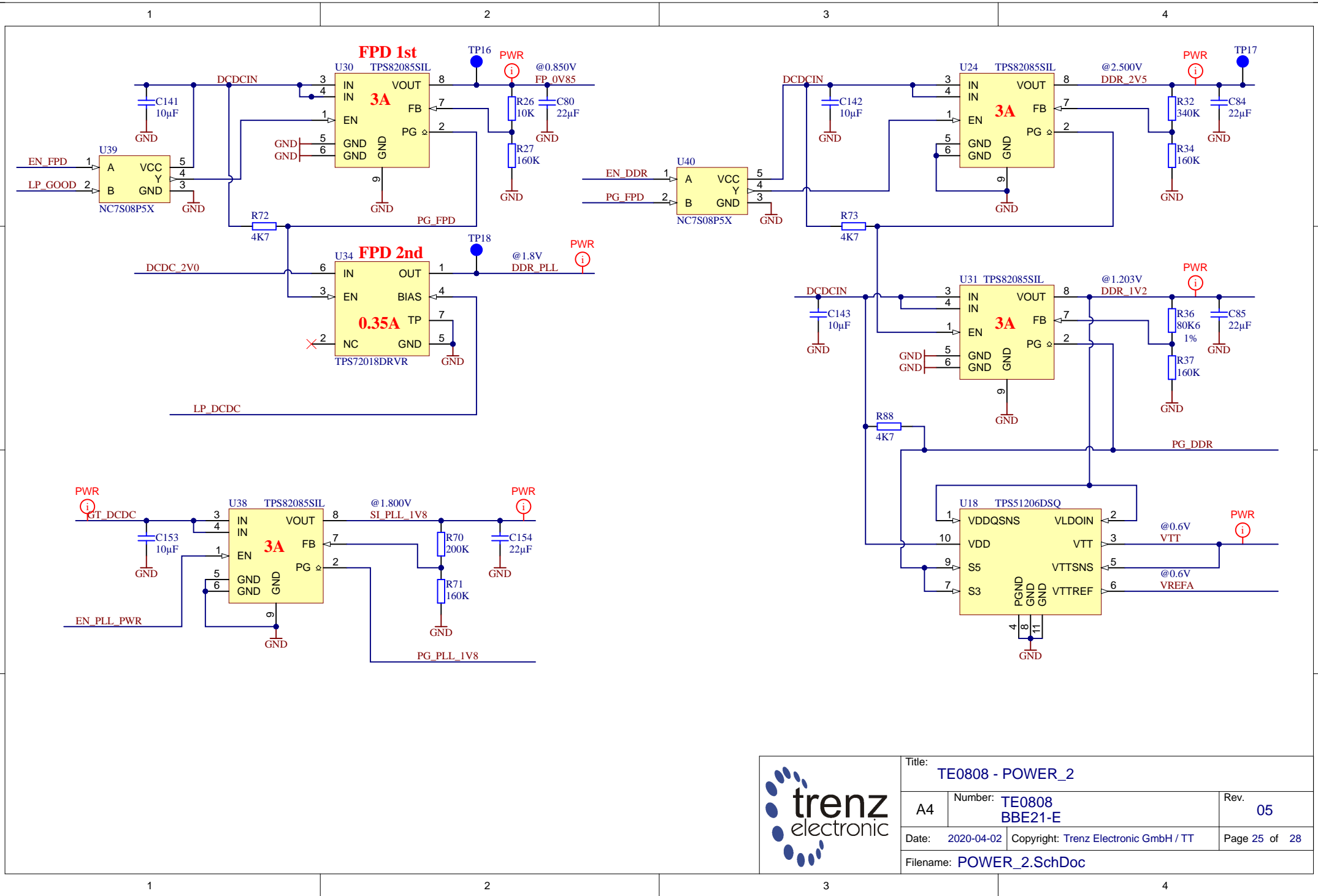
Title: TE0808 - DDR4_TERM		
A4	Number: TE0808 BBE21-E	Rev. 05
Date: 2020-04-02	Copyright: Trenz Electronic GmbH / TT	Page 22 of 28
Filename: DDR4-TERM.SchDoc		




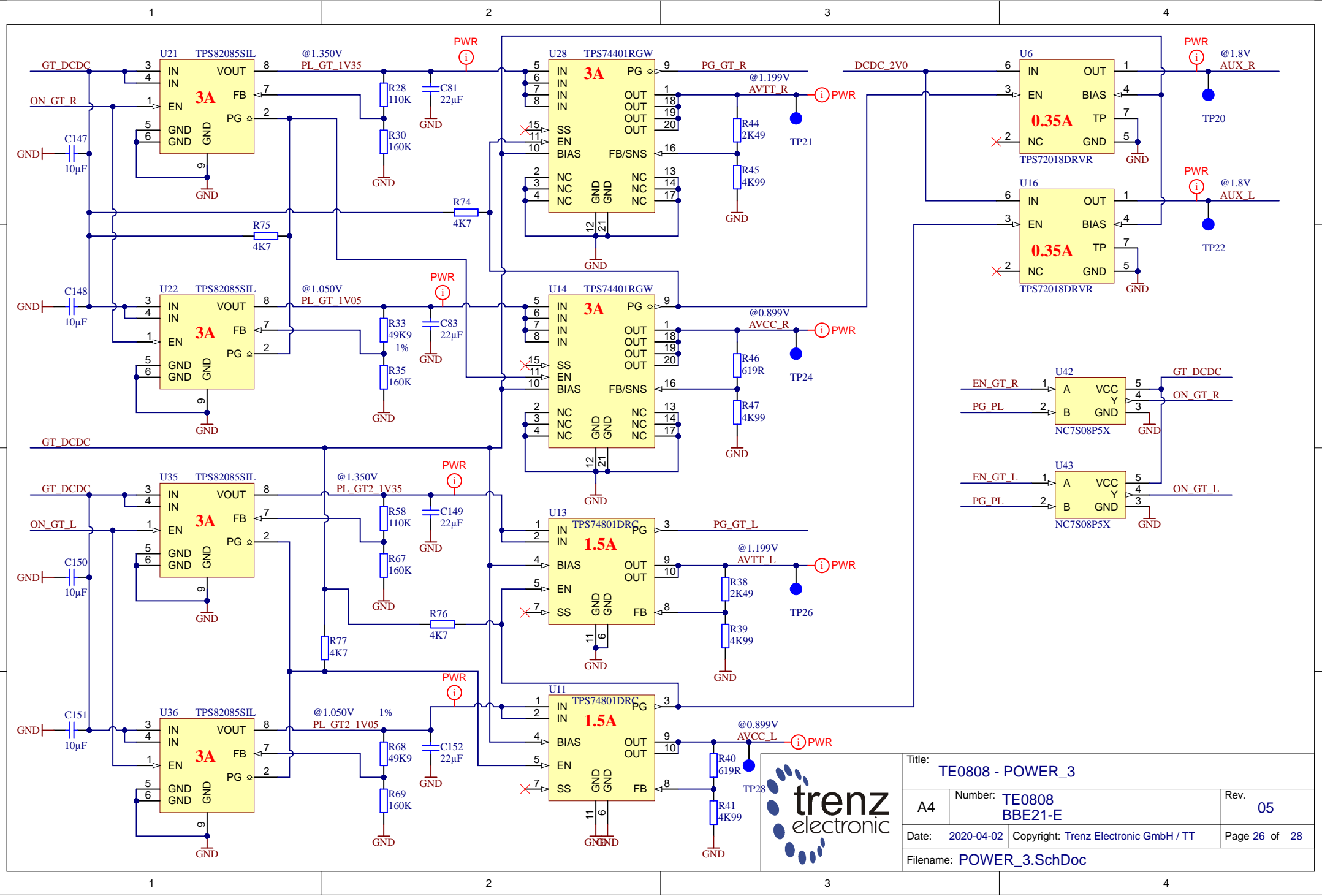
Title: TE0808 - CLOCK		
A4	Number: TE0808 BBE21-E	Rev. 05
Date: 2020-04-02	Copyright: Trenz Electronic GmbH / TT	Page 23 of 28
Filename: Clock.SchDoc		



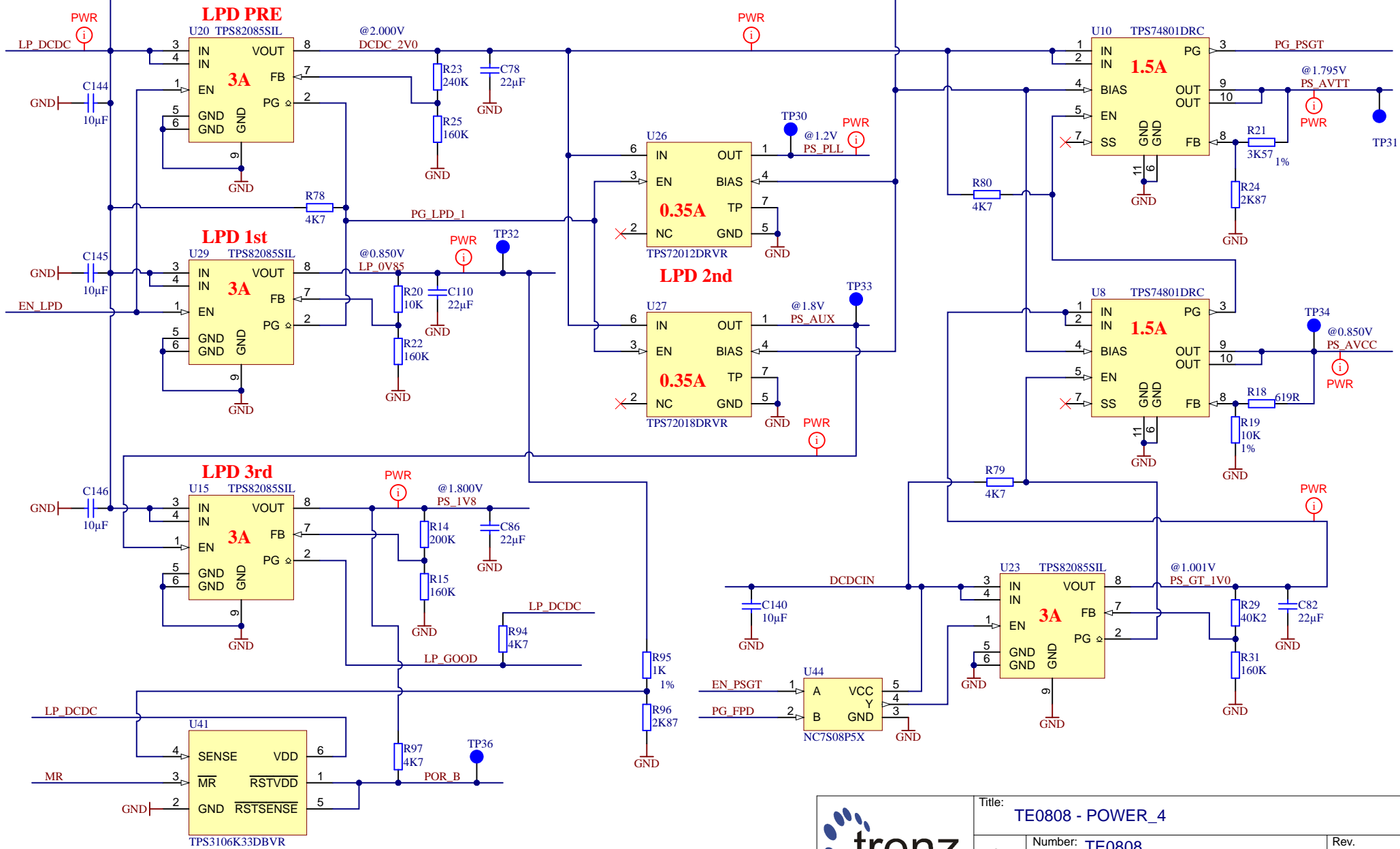
Title: TE0808 - POWER		
A4	Number: TE0808 BBE21-E	Rev. 05
Date: 2020-04-02	Copyright: Trenz Electronic GmbH / TT	Page 24 of 28
Filename: POWER.SchDoc		



		Title: TE0808 - POWER_2	
		A4	Number: TE0808 BBE21-E
Date: 2020-04-02		Copyright: Trenz Electronic GmbH / TT	
Filename: POWER_2.SchDoc		Page 25 of 28	



Title: TE0808 - POWER_3		
A4	Number: TE0808 BBE21-E	Rev. 05
Date: 2020-04-02	Copyright: Trenz Electronic GmbH / TT	Page 26 of 28
Filename: POWER_3.SchDoc		



POR_B is "0" when LP_OV85 lower 0.74V



Title: TE0808 - POWER_4		
A4	Number: TE0808 BBE21-E	Rev. 05
Date: 2020-04-02	Copyright: Trenz Electronic GmbH / TT	Page 27 of 28
Filename: POWER_4.SchDoc		

Revision 04:

- 1. Added resistors R65,R82,R86,R87 (240R) for each DDR4-chip for supporting DDP DDR4 chips
- 2. Full library update

Revision 04a (09.06.2020):


- 1. VY: R19 value was changed to 10K (was: 4K99) to set PS_MGTRAVCC 0.85V

Revision 05:

- 1. VY: revised PL_VCCINT power supply. PCB: revised routing and components placement;
- 2. VY: added signal BG1 for DDP DDR4 IC. Added support of new packages. PCB: revised routing and components placement;
- 3. VY: R5 pulled up to 1.2V. R5 value changed to 49.9R;
- 4. VY: added test points;
- 5. VY: added MAC EEPROM U48. I2C bus PLL_SCL/SDA. Added pull up resistor to I2C bus;
- 6. VY: PCB - revised FPGA location. Package placed 1.5mm closer to connector J3;
- 7. VY: PCB - updated silkscreen. Added company address, CE and WEEE symbols;
- 8. VY: PCB - updated signal trace lengths.

29.11.2022

- 9. Chnaged note near J2.97 and net PG_GT_L from "On board pull-up R" to "External pull-up R Required"

	Title: TE0808 - Changes list		
	A4	Number: TE0808 BBE21-E	Rev. 05
	Date: 2020-04-02	Copyright: Trenz Electronic GmbH	Page 28 of 28
	Filename: Revision_Changes.SchDoc		