


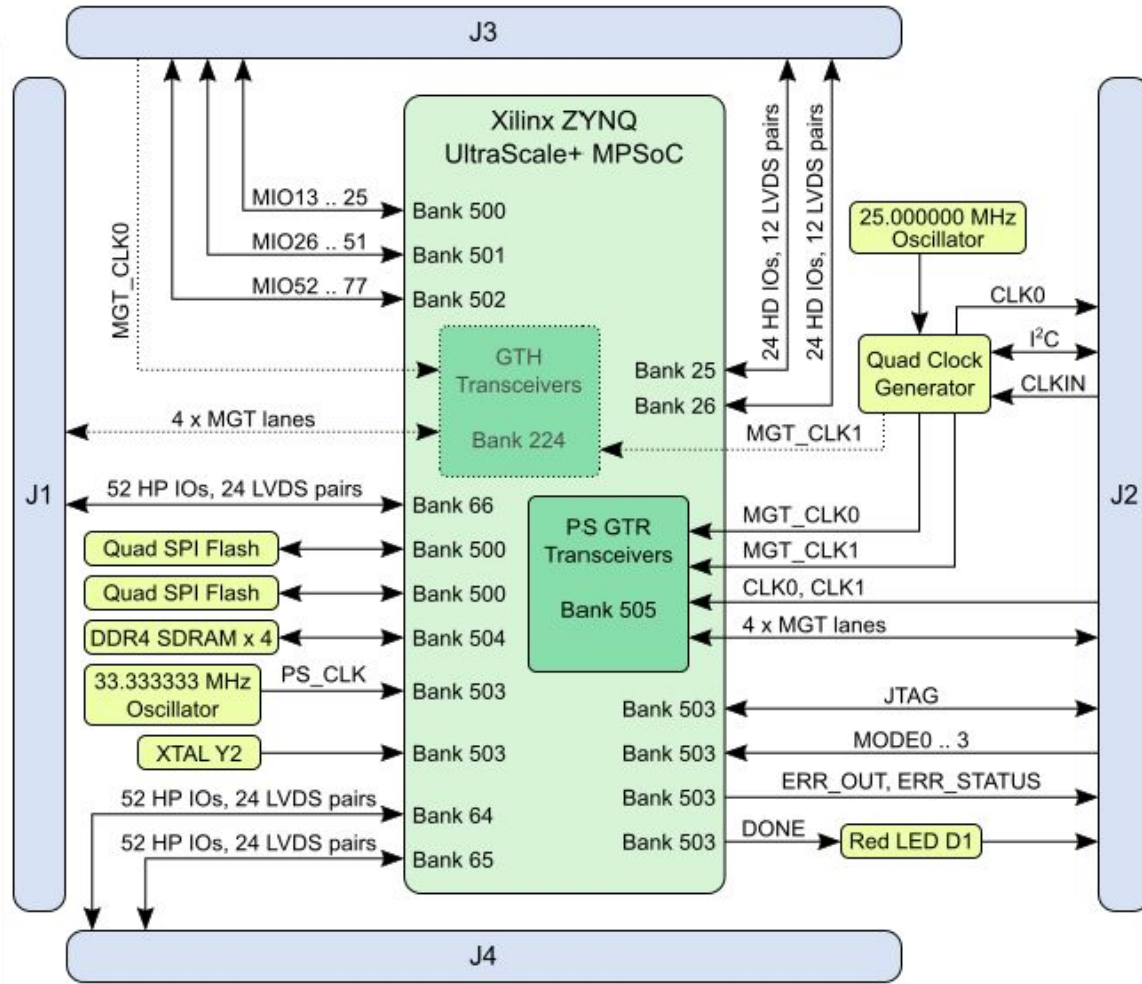
Regarding the usage of our schematics and alike documentation for Trenz module TE0813.


Project is protected under copyright and we strongly and strictly prohibit the reverse engineering or recreation, even if the design is just adapted or modified. TE0813 is protected under such right and in case of plagiarism we will have to do anything necessary in order to protect our assets.

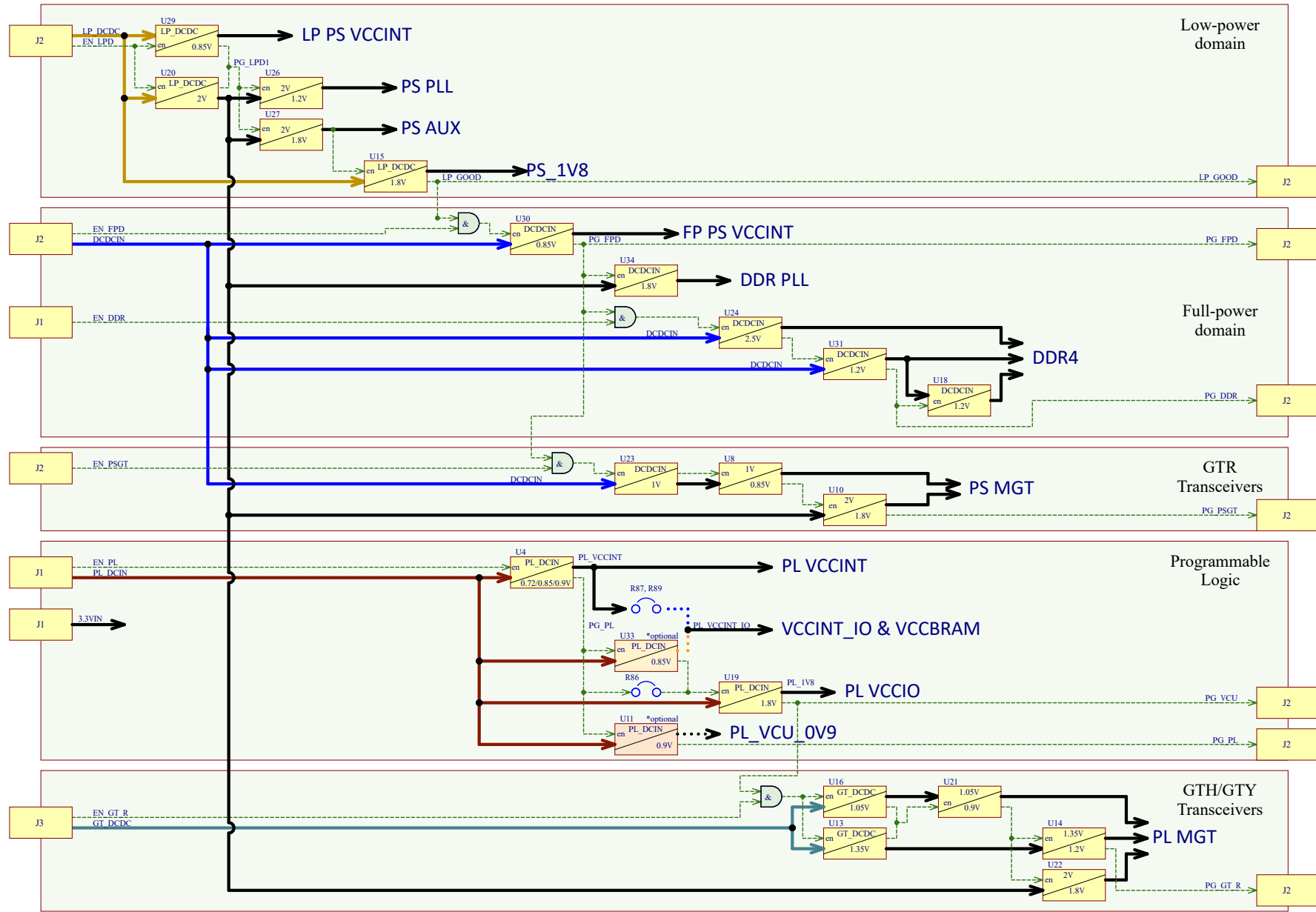
Schematics and other handouts serve for informational purposes only!

	Title: TE0813		
	A4	Number: TE0813 4DE11-A	Rev. 01
	Date: 2021-08-16	Copyright: Trenz Electronic GmbH / TT	Page 1 of 30
	Filename: Legal Notices Modules.SchDoc		

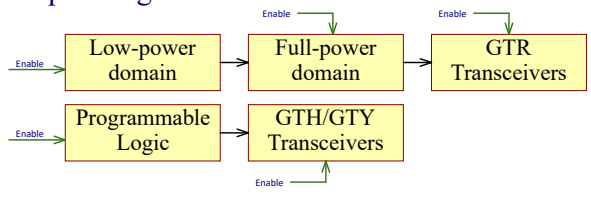
TE0813-01



		Title: Module TE0813 - System Overview	
		A4	Number: TE0813 4DE11-A
Date: 2021-08-16		Copyright: 2015 Trenz Electronic GmbH	
Filename: TE0813-Overview.SchDoc		Page 2 of 30	



Power-on sequencing:



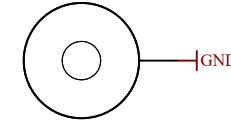
- EN_GT_R Net name
- Power bus
- Control signal
- Power bus in FPGA speedgrade -1/-2/-3 assembly variants
- Power bus in FPGA speedgrade -1L/-2L assembly variants (low power)
- Optional power converter
- Logic AND gate



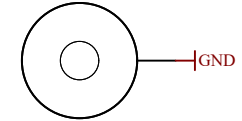
Title: TE0813 - Power Diagram		
A3	Number: TE0813 4DE11-A	Rev. 01
Datum: 2021-01-19	Copyright: Trenz Electronic GmbH / TT	Page 3 of 30
Filename: Power_Diagram.SchDoc		

U_J1 J1.SchDoc	U_B_PS_GT B_PS_GT.SchDoc	U_LN Legal Notices Modules.SchDoc
U_J2 J2.SchDoc	U_PS_DDR PS_DDR.SchDoc	U_ZU_POWER ZU_POWER.SchDoc
U_J3 J3.SchDoc	U_B_MIO B_MIO.SchDoc	U_ZU_PS_POWER ZU_PS_POWER.SchDoc
U_J4 J4.SchDoc	U_B_HD B_HD.SchDoc	U_POWER POWER.SchDoc
U_DDR4-TERM DDR4-TERM.SchDoc	U_Clock Clock.SchDoc	U_POWER_1 POWER_1.SchDoc
U_B64 B64.SchDoc	U_CONFIG CONFIG.SchDoc	U_POWER_2 POWER_2.SchDoc
U_B65 B65.SchDoc	U_DDR4-RAM DDR4-RAM.SchDoc	U_POWER_4 POWER_3.SchDoc
U_B66 B66.SchDoc	U_DDR4-RAM_2 DDR4-RAM_2.SchDoc	U_REV_CH Revision Changes.SchDoc
U_B_GT B_GT.SchDoc	U_DDR4-RAM_3 DDR4-RAM_3.SchDoc	U_OVERVIEW TE0813-Overview.SchDoc
U_PD Power_Diagram.SchDoc	U_DDR4-RAM_4 DDR4-RAM_4.SchDoc	

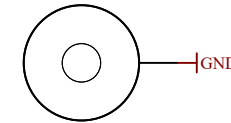
Special notes:



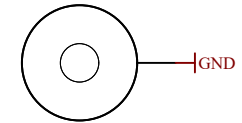
Mount.Hole 3.2mm für Unterlegscheibe



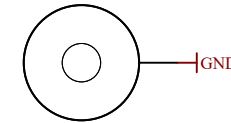
Mount.Hole 3.2mm für Unterlegscheibe



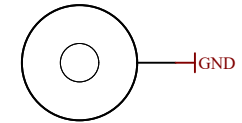
Mount.Hole 3.2mm für Unterlegscheibe



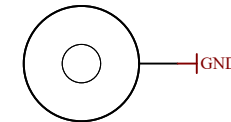
Mount.Hole 3.2mm für Unterlegscheibe



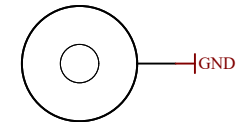
Mount.Hole 3.2mm für Unterlegscheibe



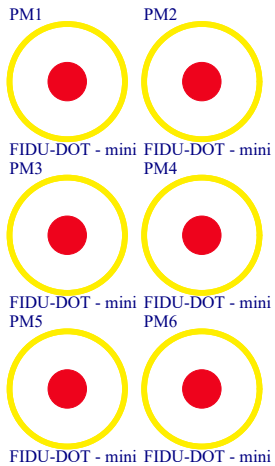
Mount.Hole 3.2mm für Unterlegscheibe



Mount.Hole 3.2mm für Unterlegscheibe



Mount.Hole 3.2mm für Unterlegscheibe



MECH1

TE Address Overlay

LOGO ADDRESS

LOGO1

TE Logo PRINT Layer

LOGO PRINT

Serial
Serial
Serialnumber 6,3 x 6.3mm

Assembly variant	4DE11-A
Created by	ED
Modified by	ED
Modified at	2021-07-07
SVN Revision	12304 [Locally Modified]



Title: TE0813		
A4	Number: TE0813 4DE11-A	Rev. 01
Date: 2021-08-16	Copyright: Trenz Electronic GmbH / TT	Page 4 of 30
Filename: TE0813.SchDoc		

1

2

3

4

A

A

B

B

C

C

D

D

JM1A

JM1B

ADM6-60-01.5-L-4-2

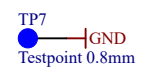
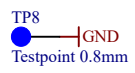
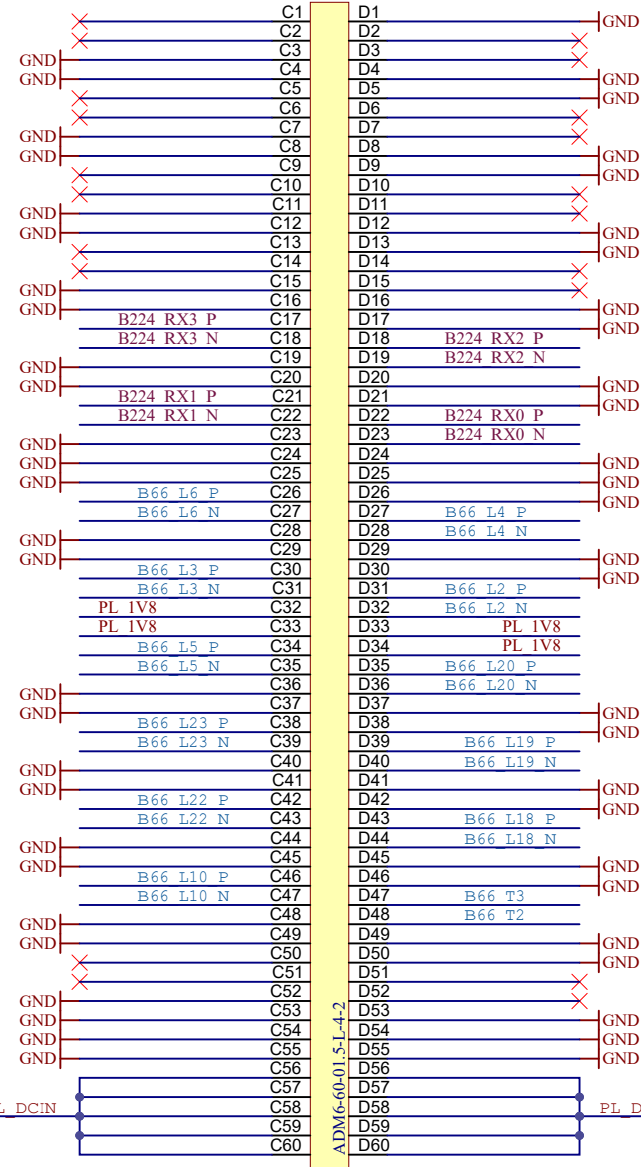
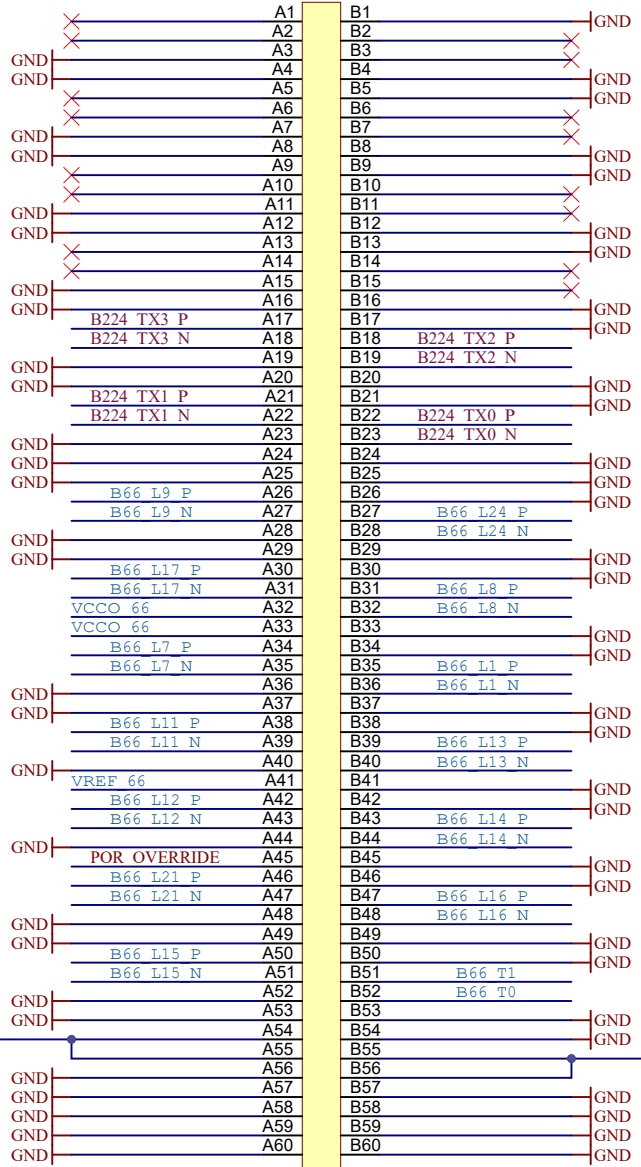
ADM6-60-01.5-L-4-2

3.3VIN

3.3VIN

PL_DCIN

PL_DCIN



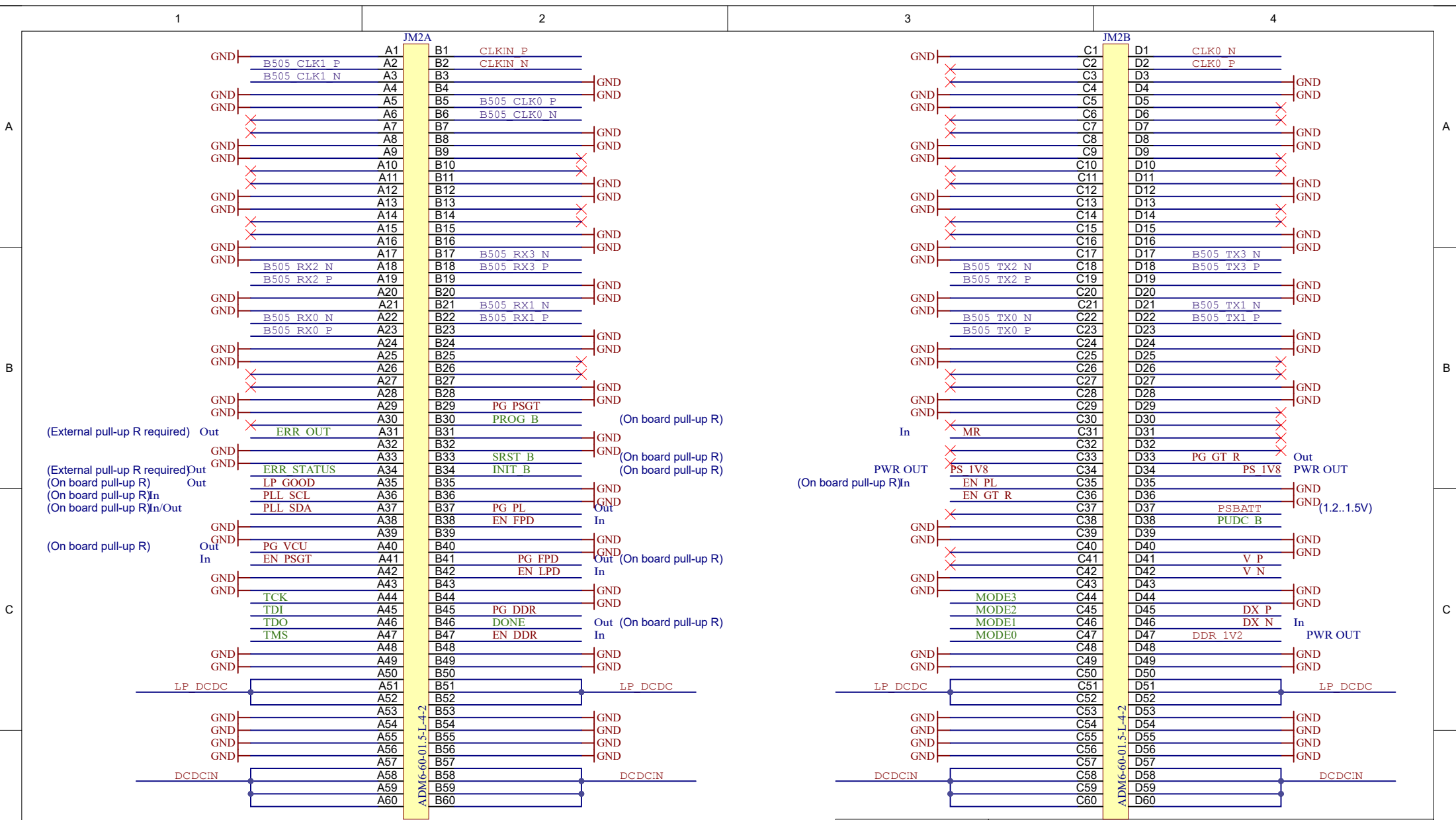
Title: TE0813 - Connector J1		
A4	Number: TE0813 4DE11-A	Rev. 01
Date: 2021-08-16	Copyright: Trenz Electronic GmbH / TT	Page 5 of 30
Filename: J1.SchDoc		

1

2

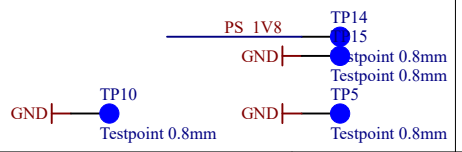
3

4



ADM16-60-01.5-L-4-2

ADM16-60-01.5-L-4-2



Title: TE0813 - Connector J2		
A4	Number: TE0813 4DE11-A	Rev. 01
Date: 2021-08-16	Copyright: Trenz Electronic GmbH / TT	Page 6 of 30
Filename: J2.SchDoc		

D

D

1

2

3

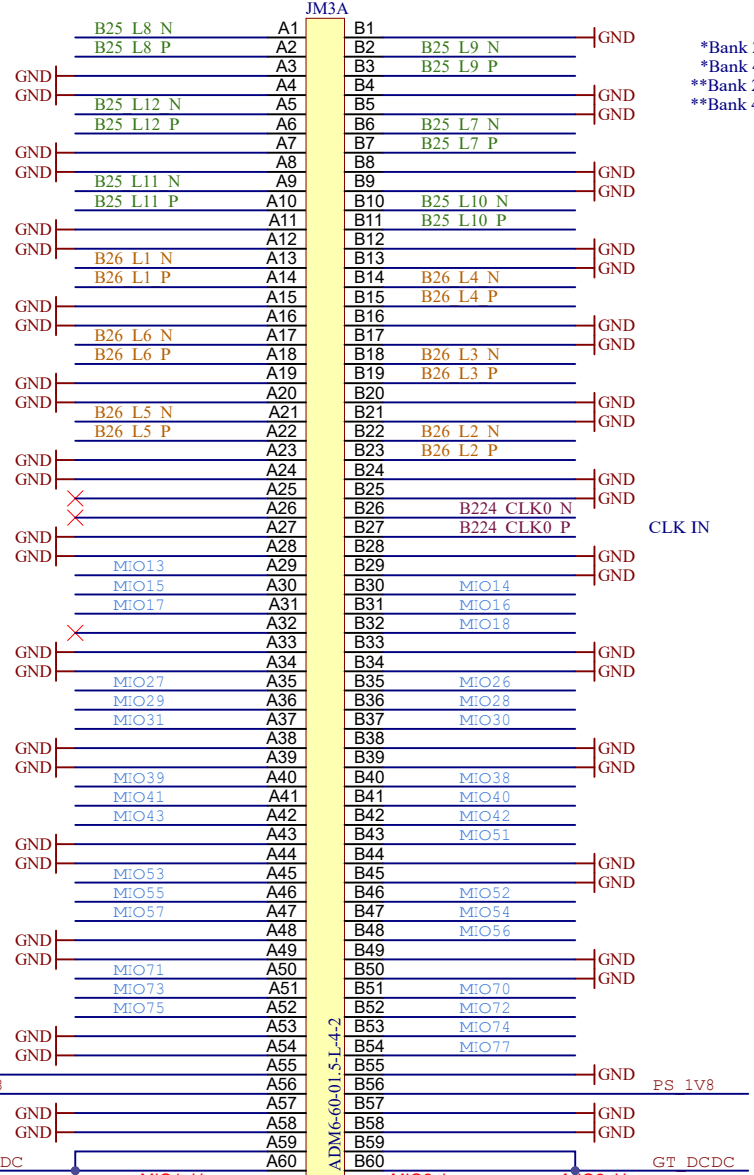
4

1

2

3

4

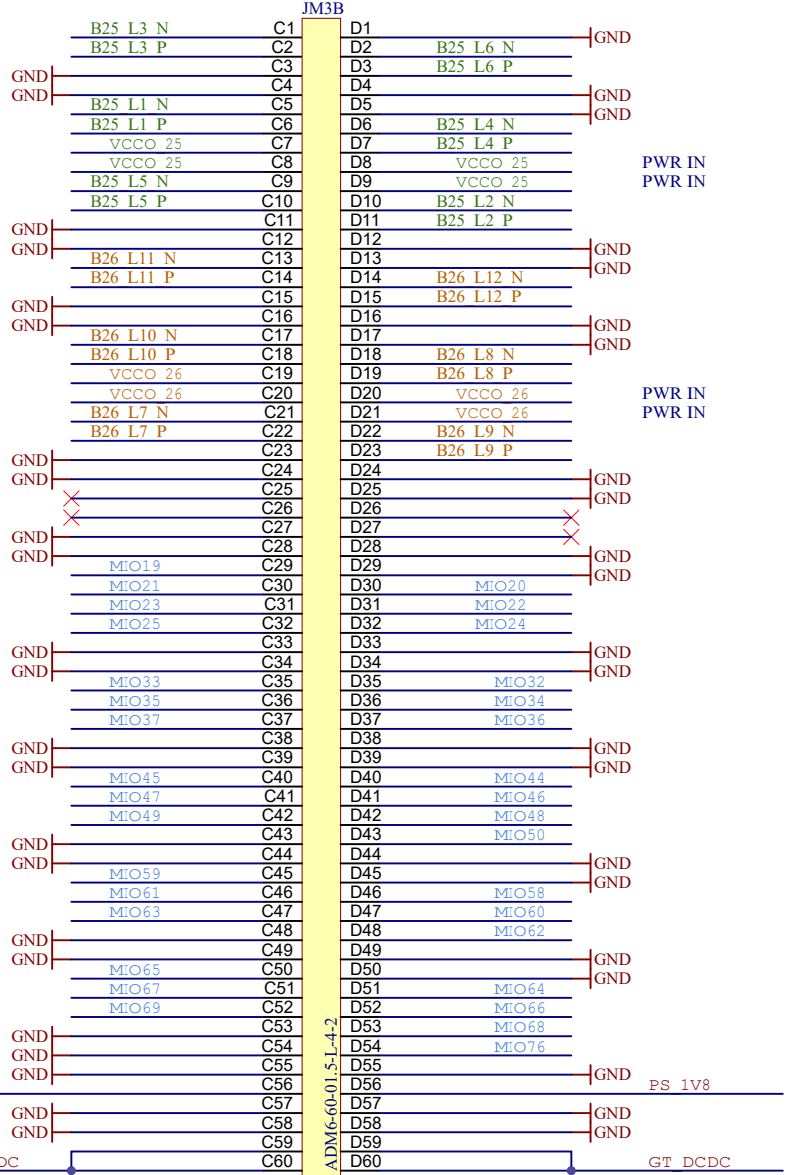


*Bank 25 for XCZU2/3
 *Bank 45 for XCZU4/6
 **Bank 26 for XCZU2/3
 **Bank 46 for XCZU4/5

CLK IN

PS 1V8

GT DCDC



PWR IN
PWR IN

PWR IN
PWR IN

CLK IN

PS 1V8

GT DCDC

MIO1_L	MIO1_H	MIO2_L	MIO2_H	MIO0_H
MIO26	MIO32	MIO38	MIO45	MIO13
MIO27	MIO33	MIO39	MIO46	MIO14
MIO28	MIO34	MIO40	MIO47	MIO15
MIO29	MIO35	MIO41	MIO48	MIO16
MIO30	MIO36	MIO42	MIO49	MIO17
MIO31	MIO37	MIO43	MIO50	MIO18
MIO26	MIO32	MIO38	MIO45	MIO19
MIO27	MIO33	MIO39	MIO46	MIO20
MIO28	MIO34	MIO40	MIO47	MIO21
MIO29	MIO35	MIO41	MIO48	MIO22
MIO30	MIO36	MIO42	MIO49	MIO23
MIO31	MIO37	MIO43	MIO50	MIO24
MIO52	MIO58	MIO64	MIO71	MIO65
MIO53	MIO59	MIO65	MIO72	MIO66
MIO54	MIO60	MIO66	MIO73	MIO67
MIO55	MIO61	MIO67	MIO74	MIO68
MIO56	MIO62	MIO68	MIO75	MIO69
MIO57	MIO63	MIO69	MIO76	MIO70
MIO58	MIO64	MIO70	MIO77	MIO77



Title: TE0813 - Connector J3		
A4	Number: TE0813 4DE11-A	Rev. 01
Date: 2021-08-16	Copyright: Trenz Electronic GmbH / TT	Page 7 of 30
Filename: J3.SchDoc		

1

2

3

4

1

2

3

4

A

A

B

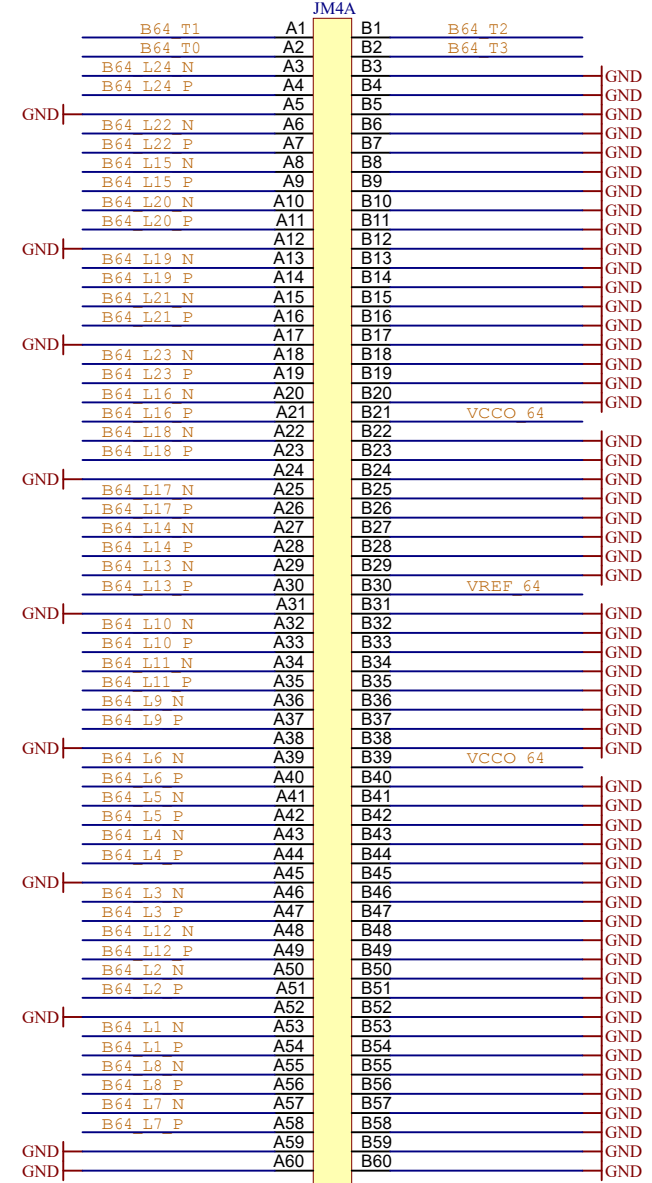
B

C

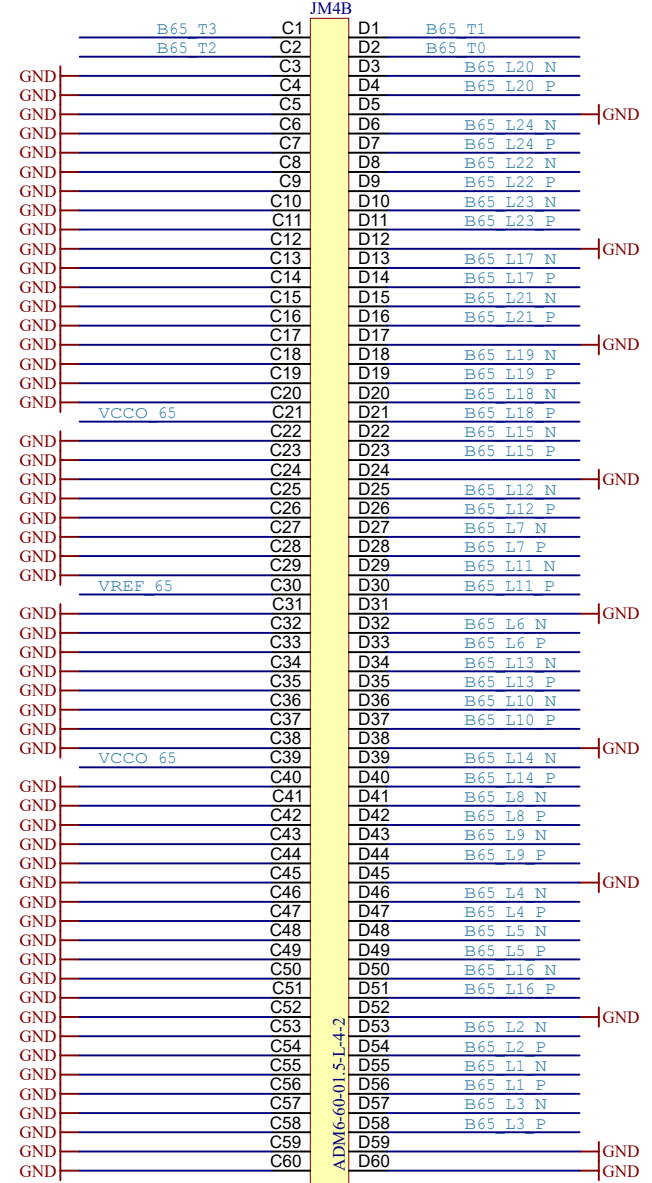
C

D

D



ADM6-60-01.5-L-4-2



ADM6-60-01.5-L-4-2



Title: TE0813 - Connector J4		
A4	Number: TE0813 4DE11-A	Rev. 01
Date: 2021-08-16	Copyright: Trenz Electronic GmbH / TT	Page 8 of 30
Filename: J4.SchDoc		

1

2

3

4

A

A

B

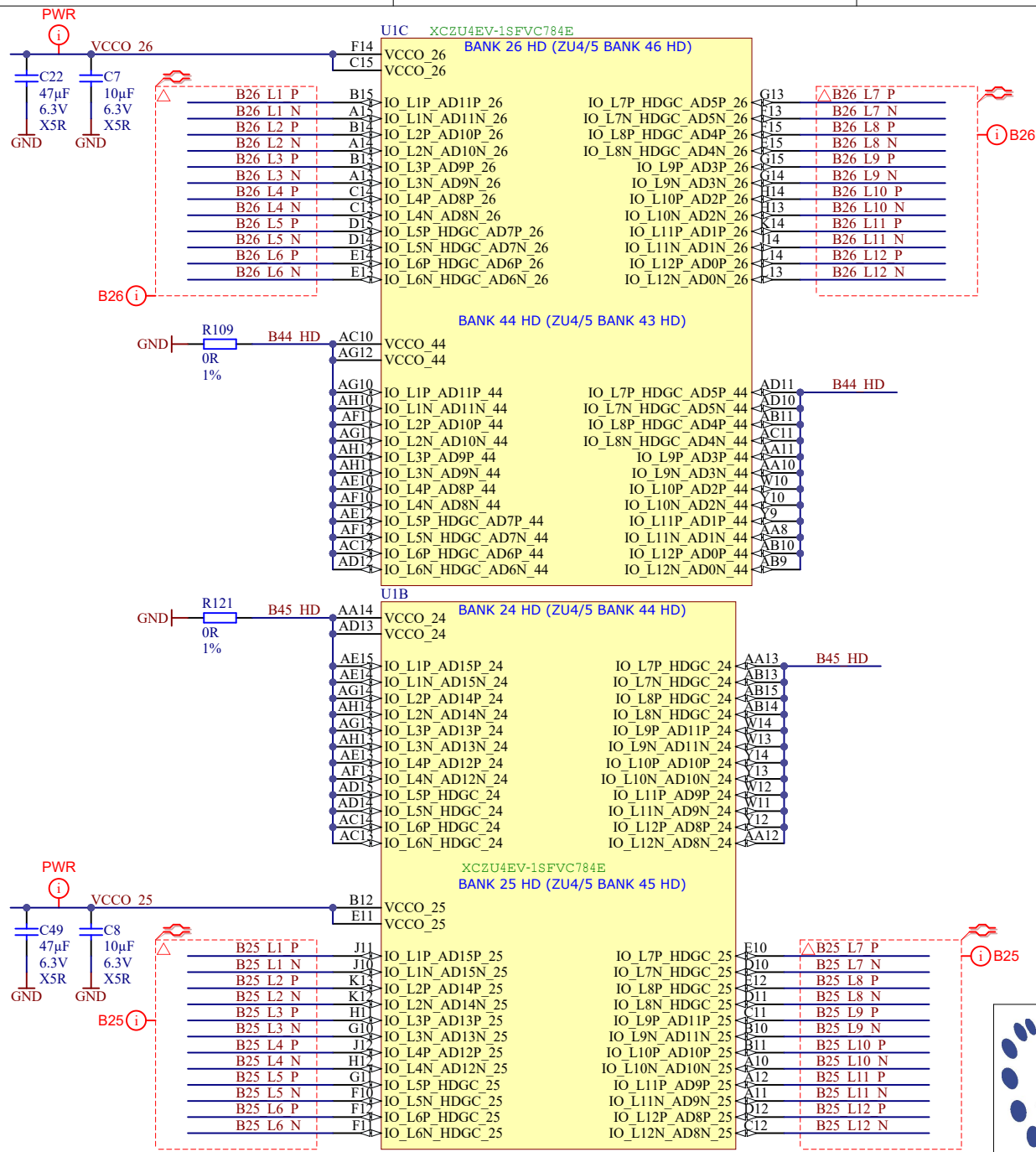
B

C

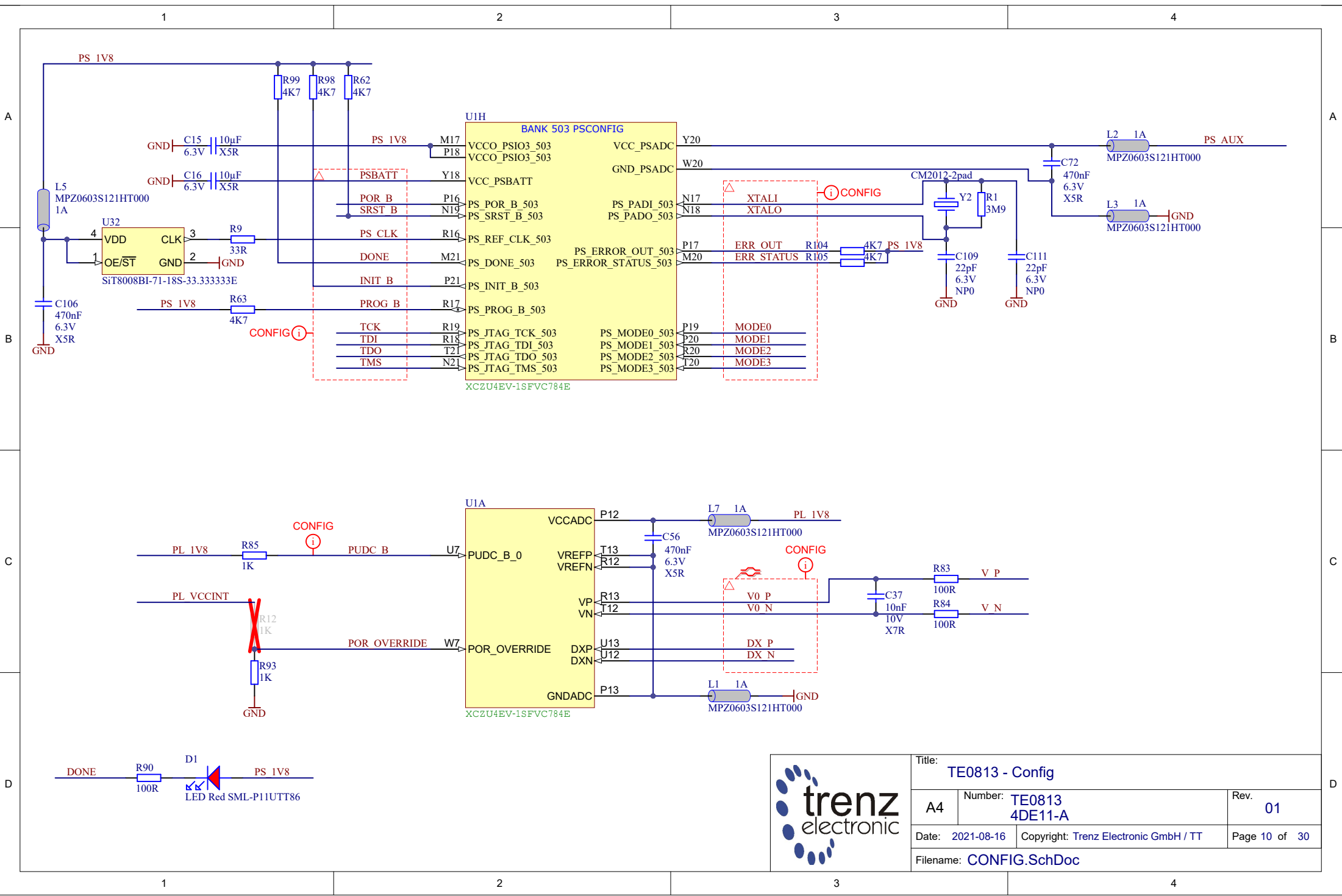
C

D

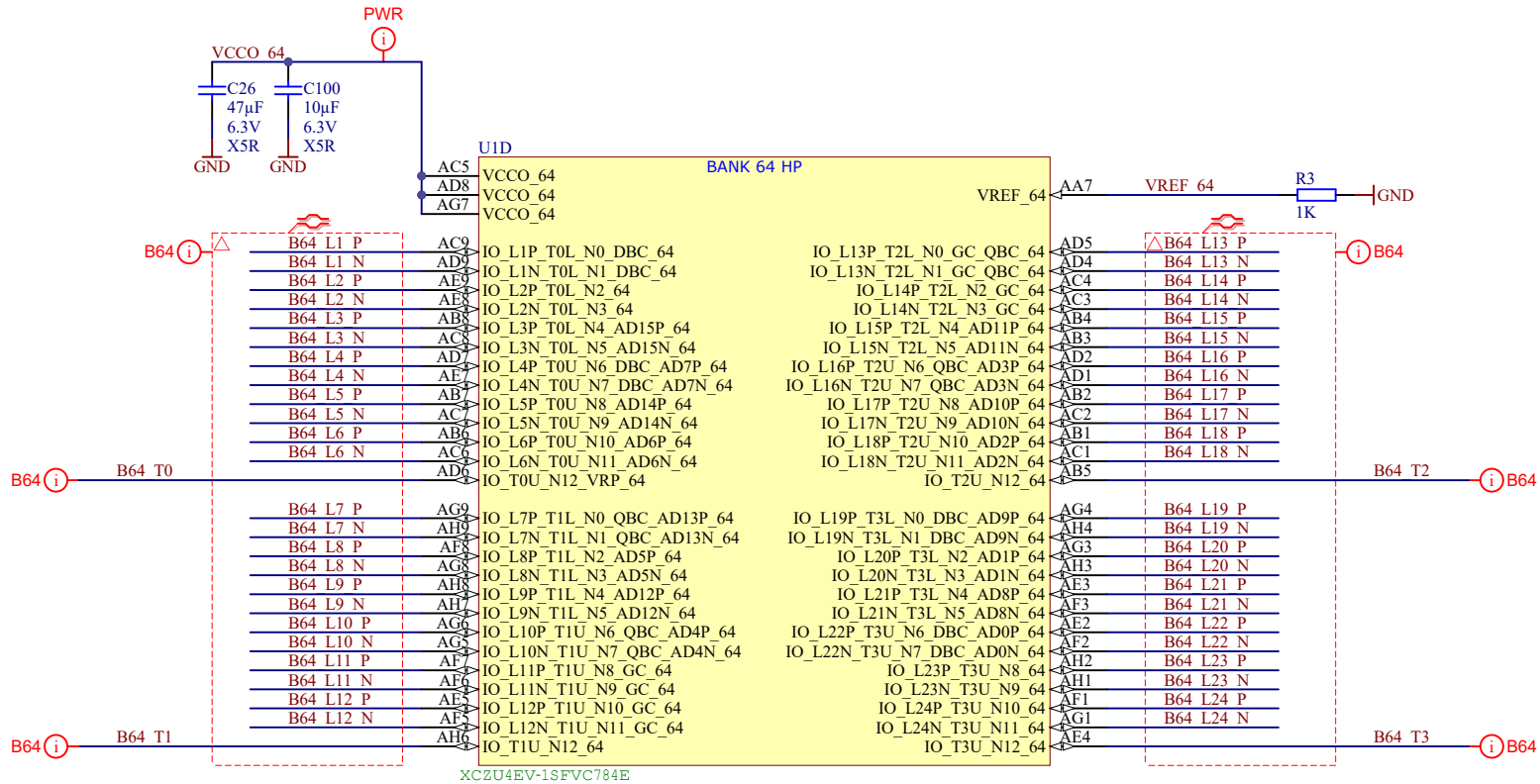
D




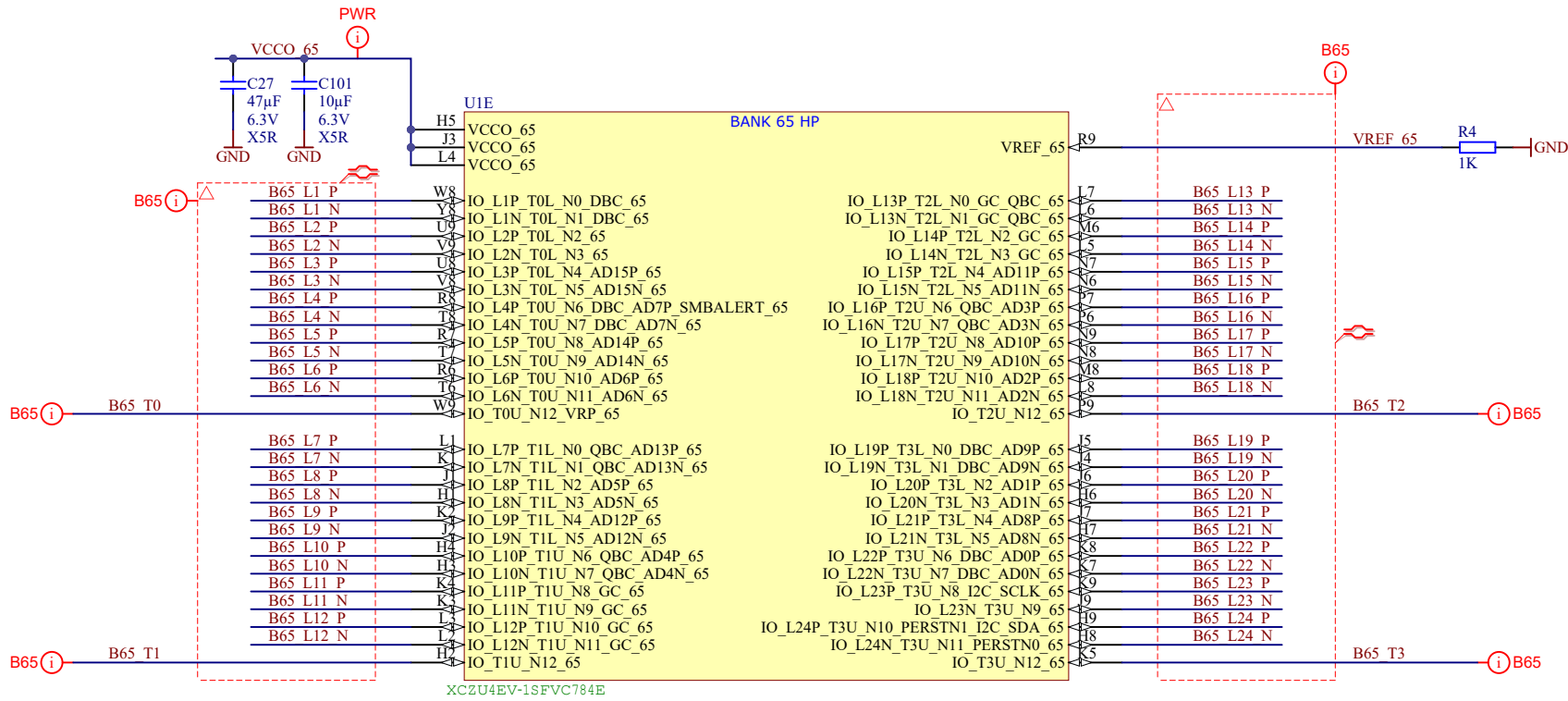
Title: TE0813 - HD Banks		
A4	Number: TE0813 4DE11-A	Rev. 01
Date: 2021-08-16	Copyright: Trenz Electronic GmbH / TT	Page 9 of 30
Filename: B_HD.SchDoc		



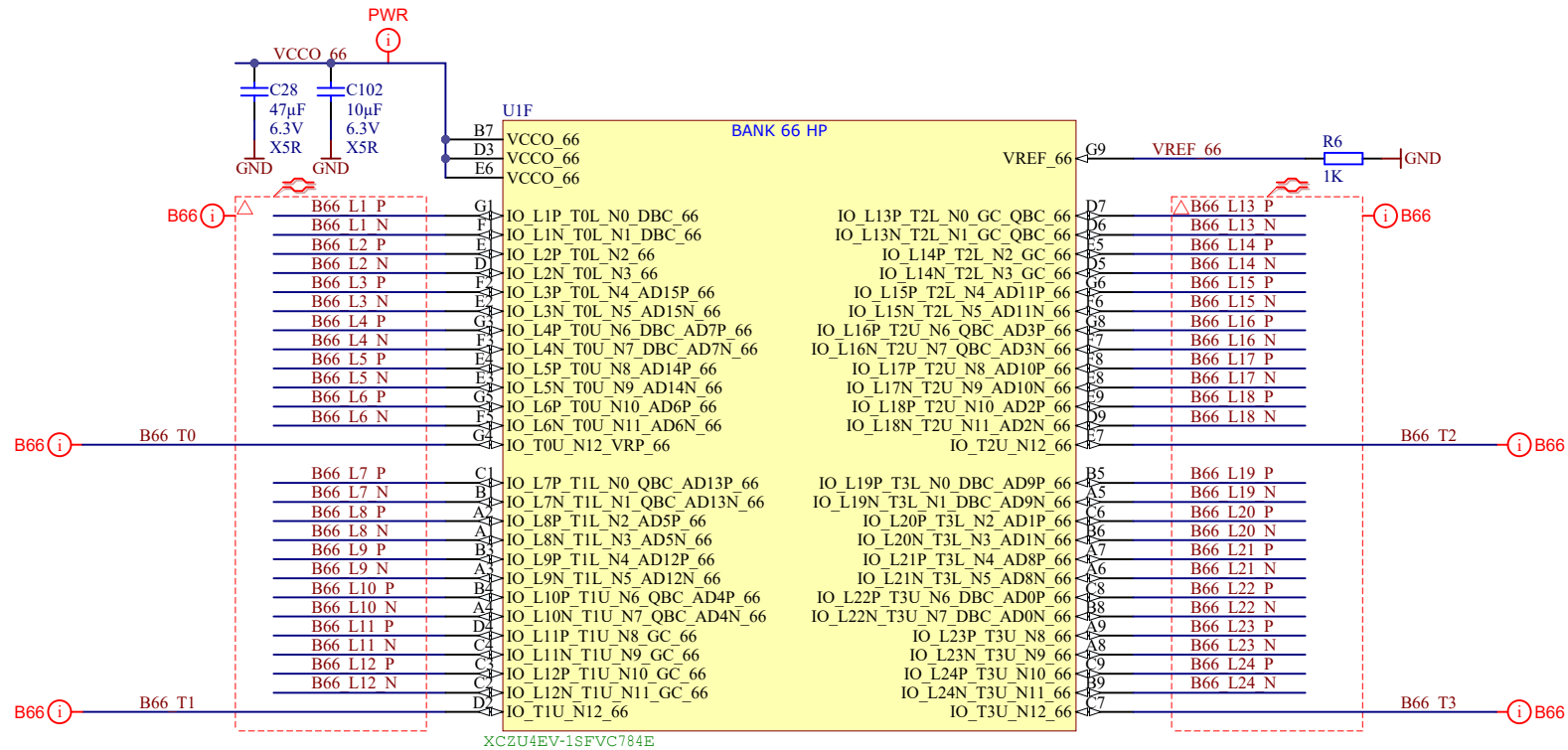

Title: TE0813 - Config		
A4	Number: TE0813 4DE11-A	Rev. 01
Date: 2021-08-16	Copyright: Trenz Electronic GmbH / TT	Page 10 of 30
Filename: CONFIG.SchDoc		



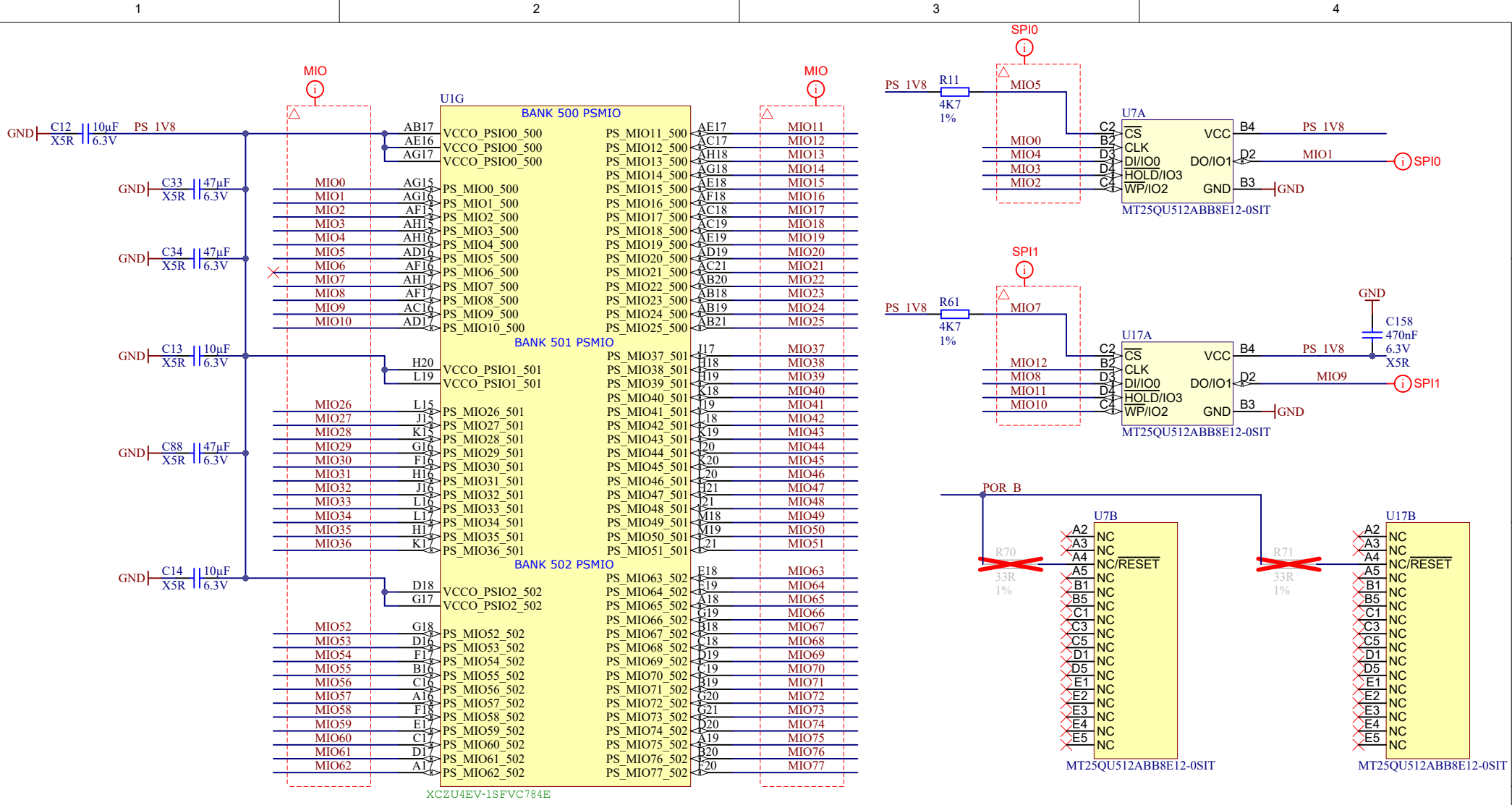
			Title: TE0813 - B64	
			A4	Number: TE0813 4DE11-A
Date: 2021-08-16		Copyright: Trenz Electronic GmbH / TT		Page 11 of 30
Filename: B64.SchDoc				



Title: TE0813 - B65		
A4	Number: TE0813 4DE11-A	Rev. 01
Date: 2021-08-16	Copyright: Trenz Electronic GmbH / TT	Page 12 of 30
Filename: B65.SchDoc		

Title: TE0813 - B66		
A4	Number: TE0813 4DE11-A	Rev. 01
Date: 2021-08-16	Copyright: Trenz Electronic GmbH / TT	Page 13 of 30
Filename: B66.SchDoc		



	Title: TE0813 - MIO Banks	
	A4	Number: TE0813 4DE11-A
	Date: 2021-08-16	Copyright: Trenz Electronic GmbH / TT
	Filename: B_MIO.SchDoc	

Rev. **01**
Page 14 of 30

A

A

B

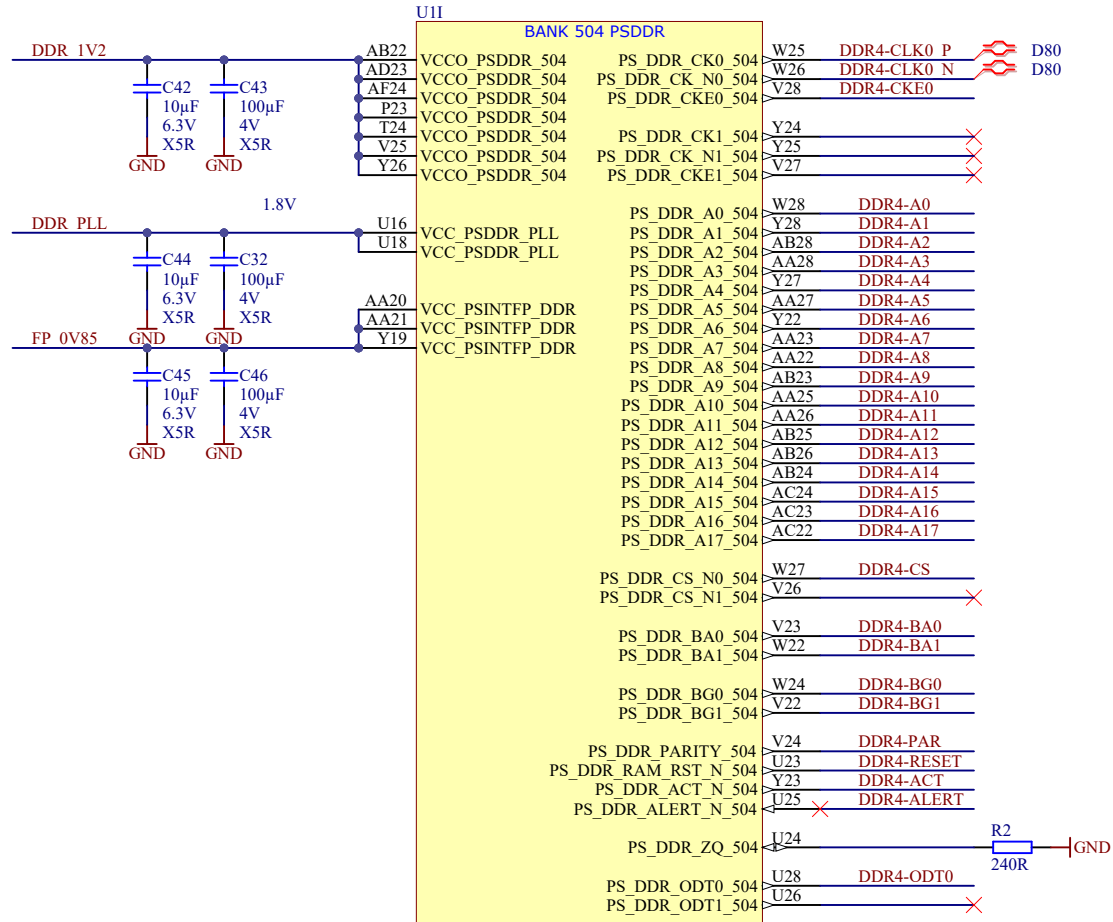
B

C

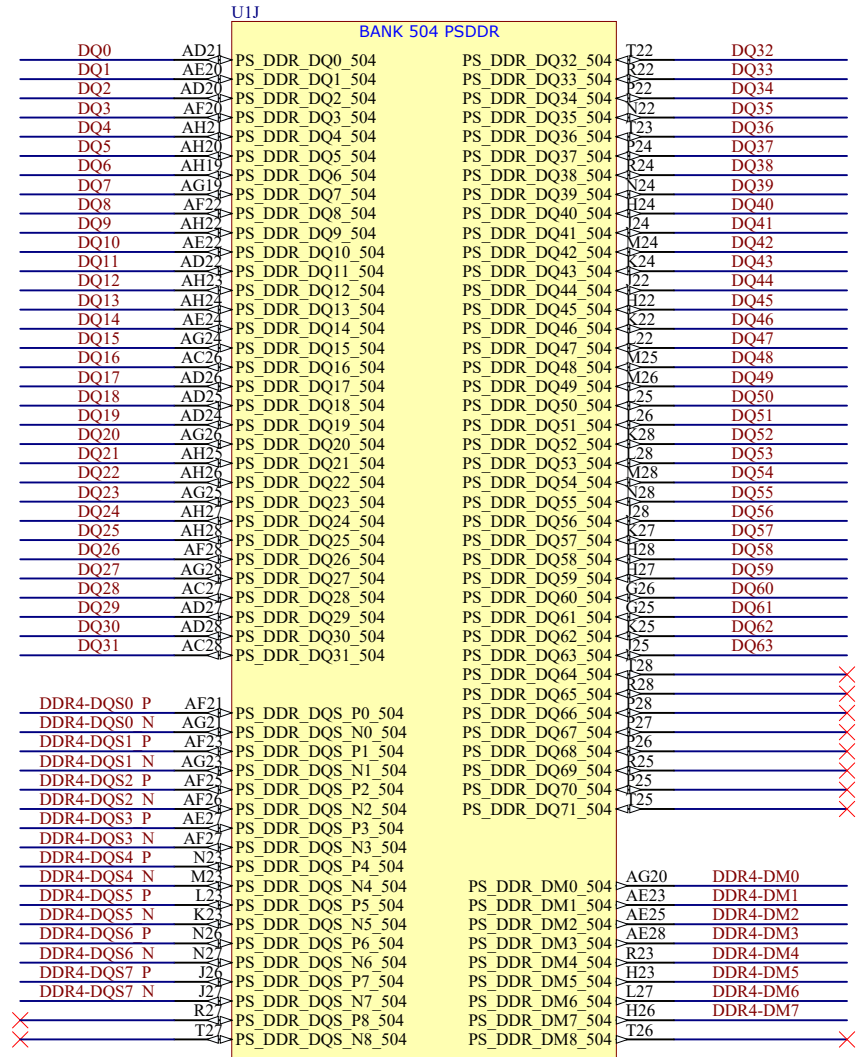
C

D

D



XC2U4EV-1SFVC784E



XC2U4EV-1SFVC784E



Title: TE0813 - PS_DDR		
A4	Number: TE0813 4DE11-A	Rev. 01
Date: 2021-08-16	Copyright: Trenz Electronic GmbH / TT	Page 15 of 30
Filename: PS_DDR.SchDoc		

1

2

3

4

A

A

B

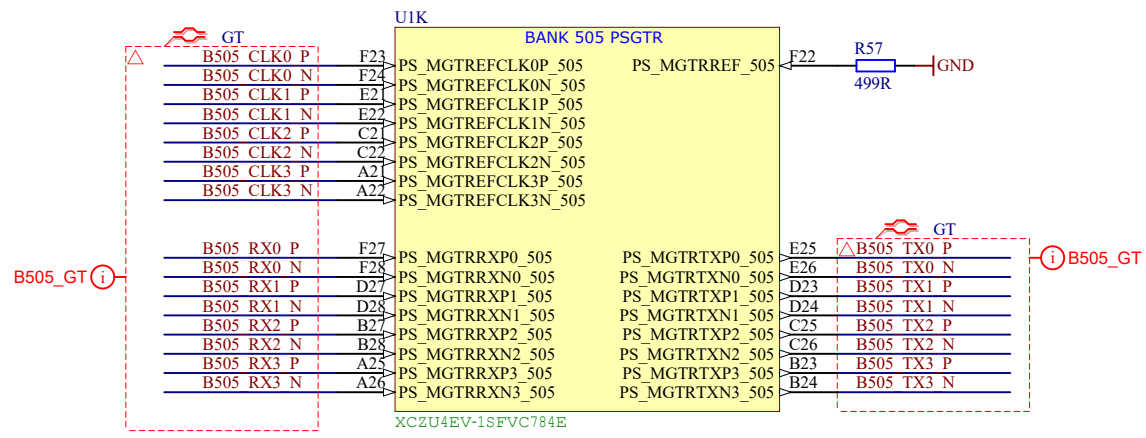
B


C

C

D

D



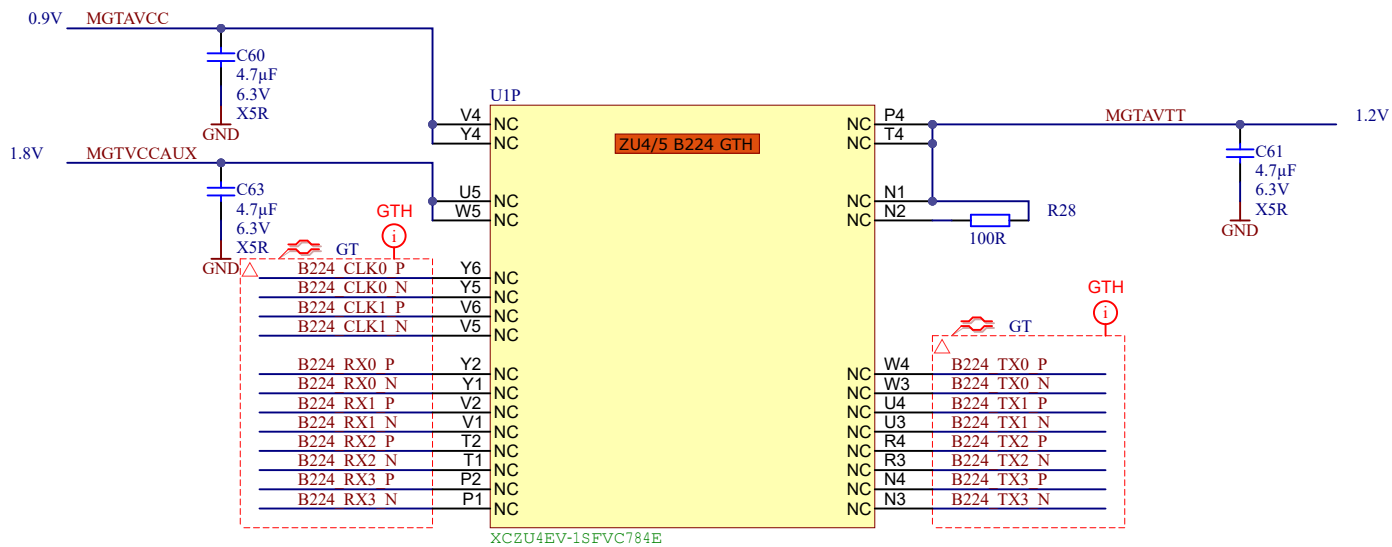
	Title: TE0813 - PS_GT		
	A4	Number: TE0813 4DE11-A	Rev. 01
	Date: 2021-08-16	Copyright: Trenz Electronic GmbH / TT	Page 16 of 30
	Filename: B_PS_GT.SchDoc		


1

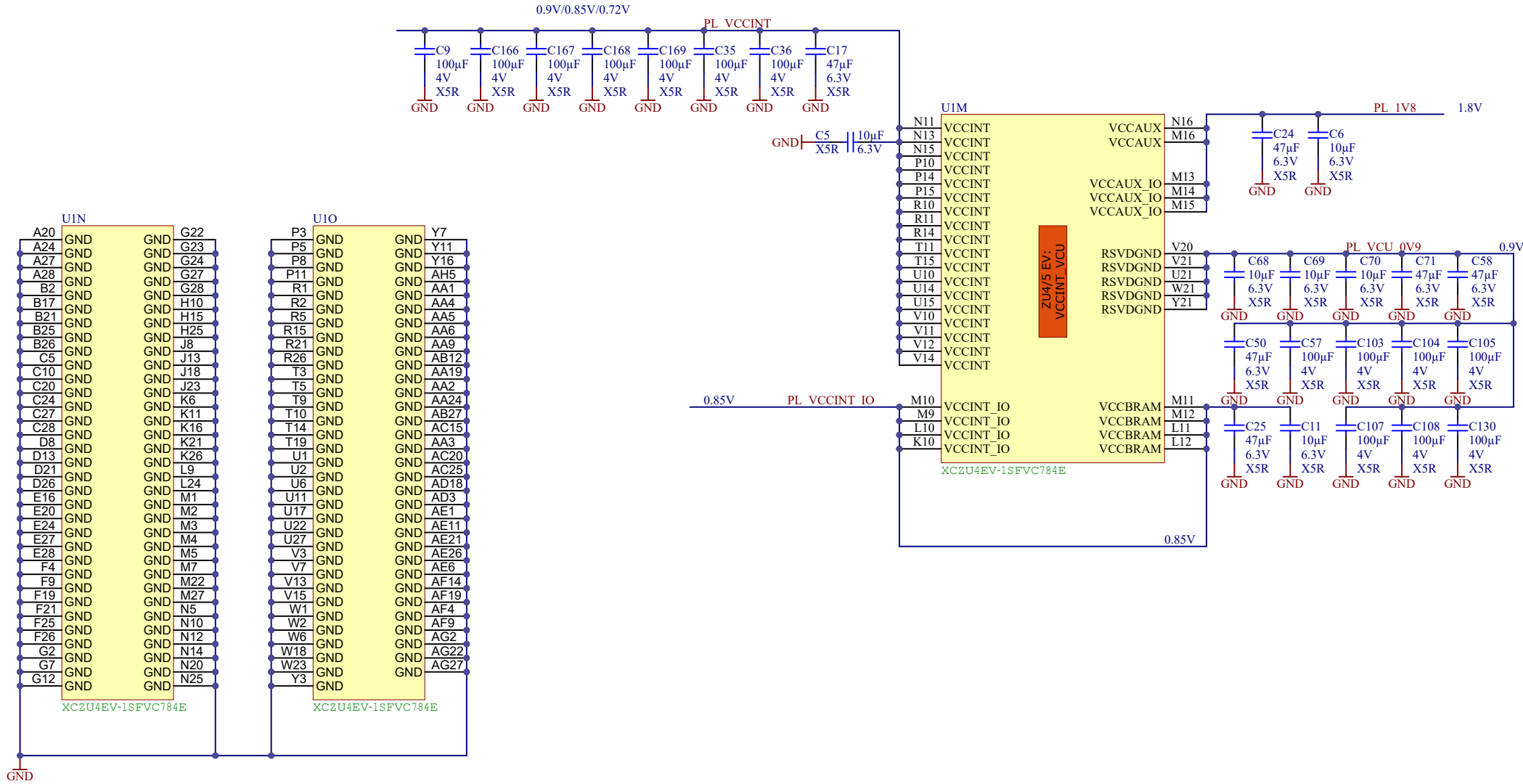
2


3

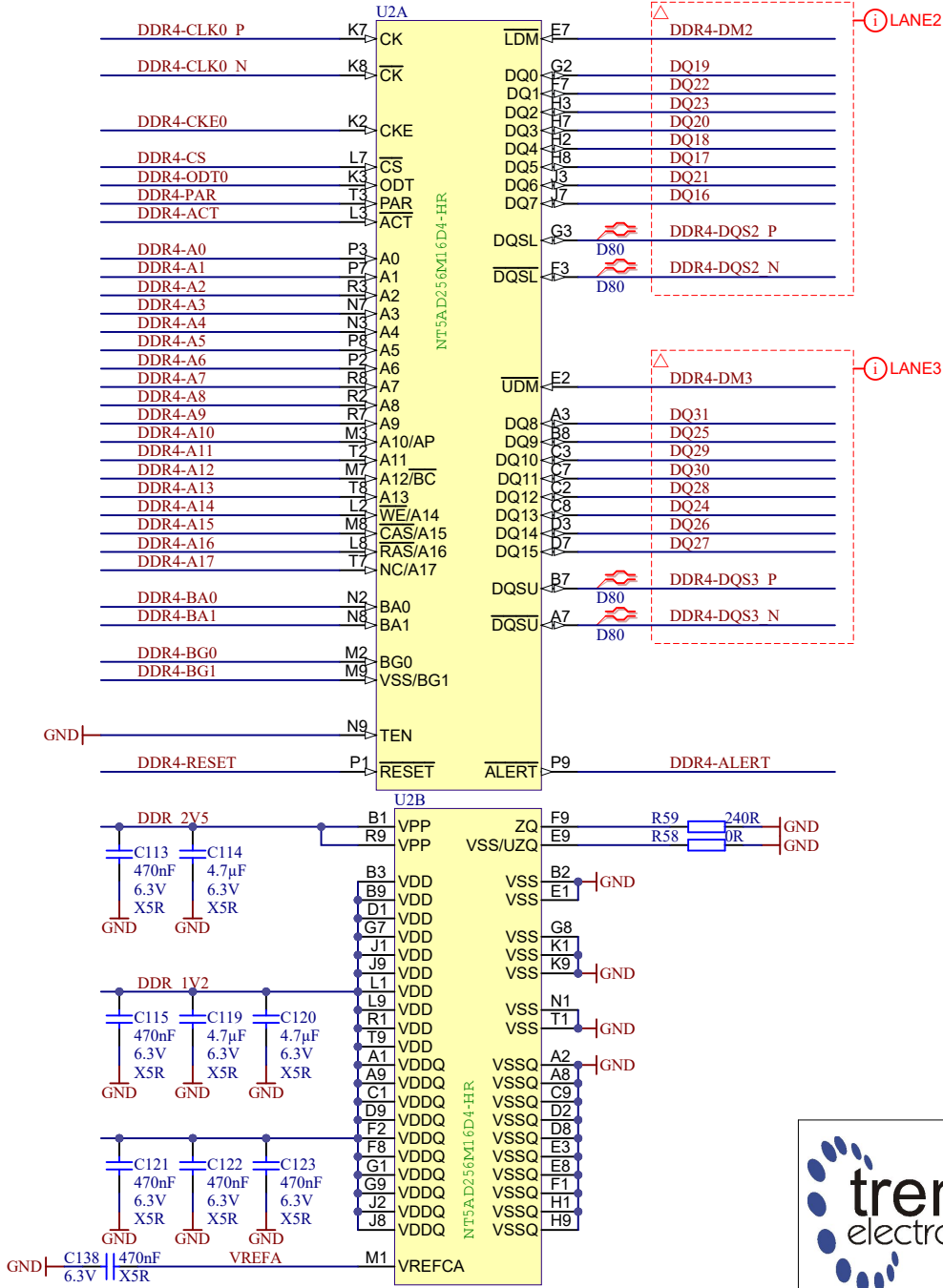
4



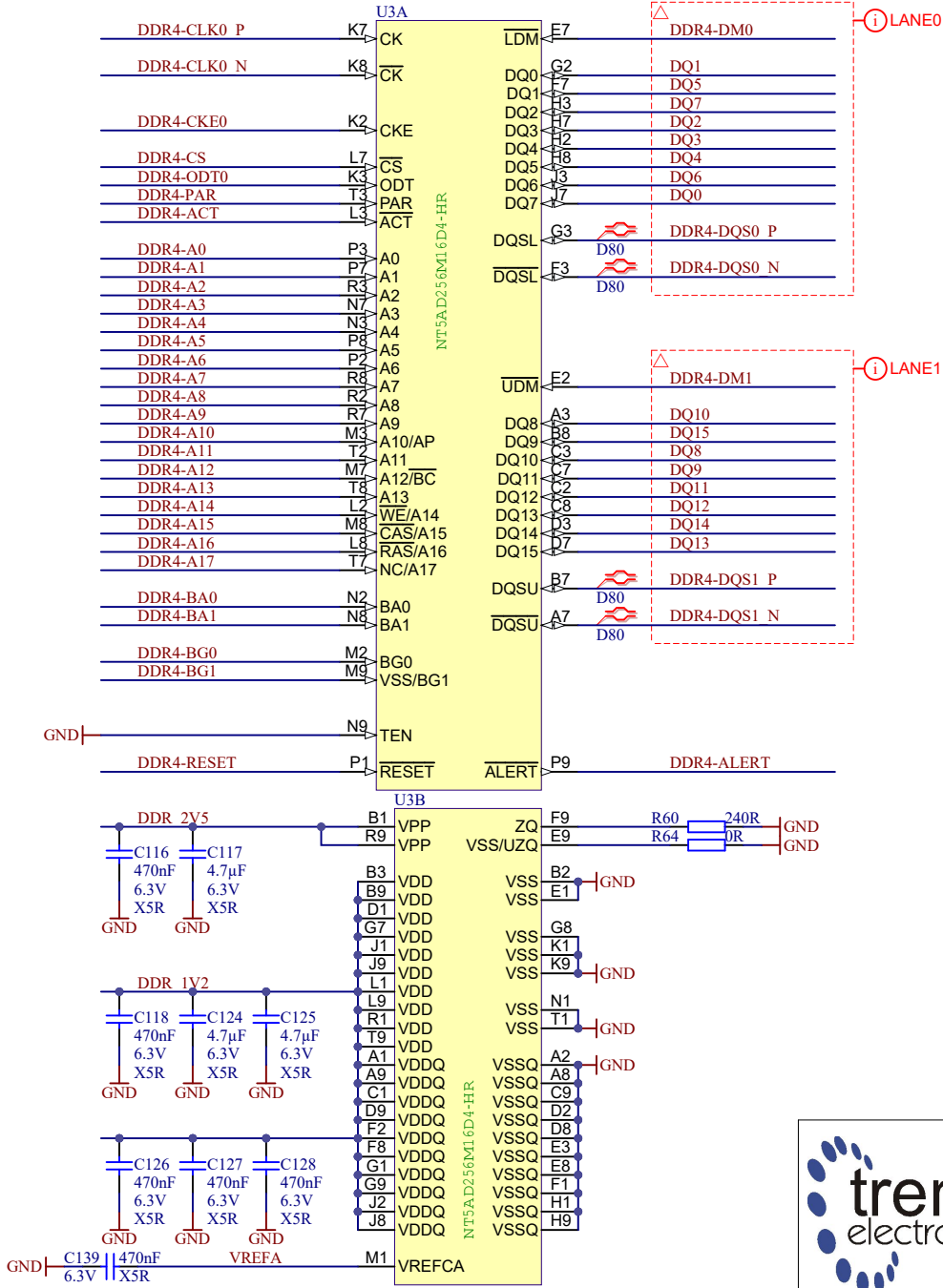
		Title: TE0813 - B224GTH	
		A4	Number: TE0813 4DE11-A
Date: 2021-08-16		Copyright: Trenz Electronic GmbH / TT	
Filename: B_GT.SchDoc		Page 17 of 30	



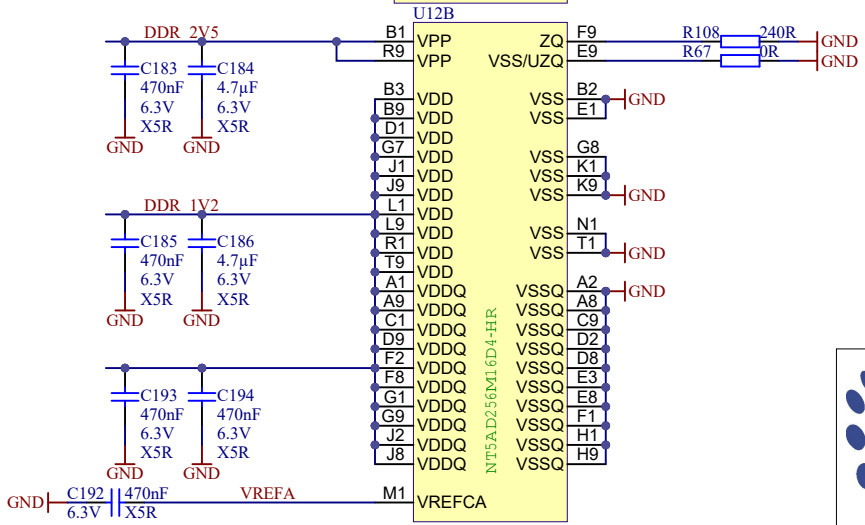
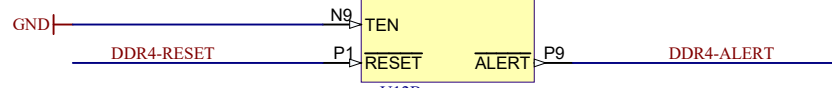
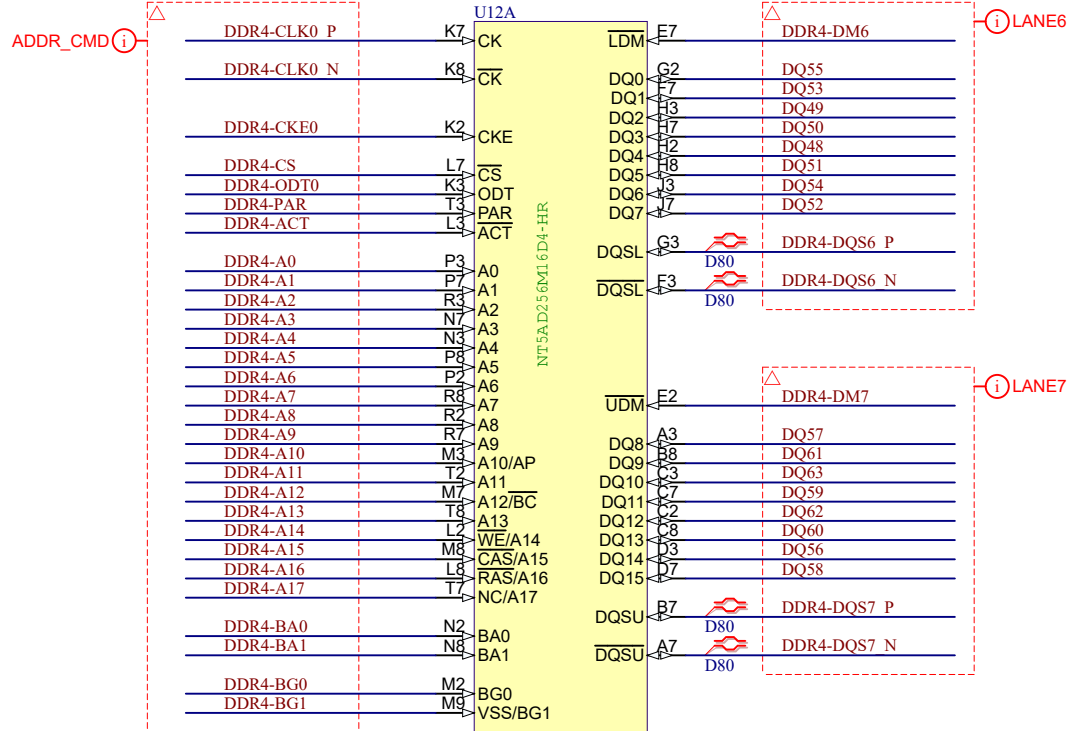
	Title: TE0813 - ZU_POWER		
	A4	Number: TE0813 4DE11-A	Rev. 01
	Date: 2021-08-16	Copyright: Trenz Electronic GmbH / TT	
	Page 19 of 30		
Filename: ZU_POWER.SchDoc			



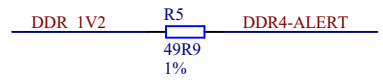
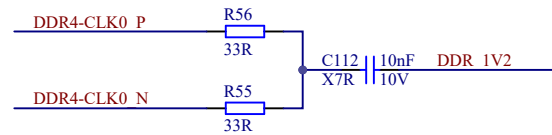
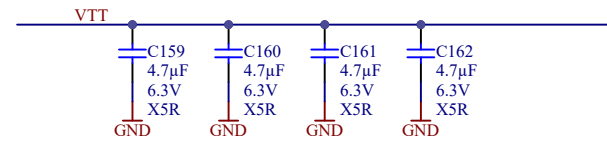
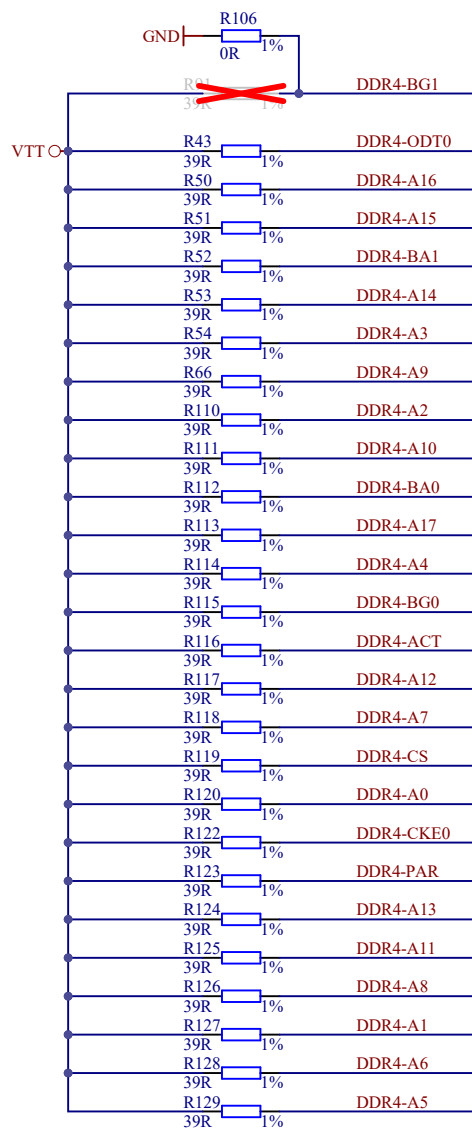
Title: TE0813 - DDR4_1_RAM		
A4	Number: TE0813 4DE11-A	Rev. 01
Date: 2021-08-16	Copyright: Trenz Electronic GmbH / TT	Page 20 of 30
Filename: DDR4-RAM.SchDoc		



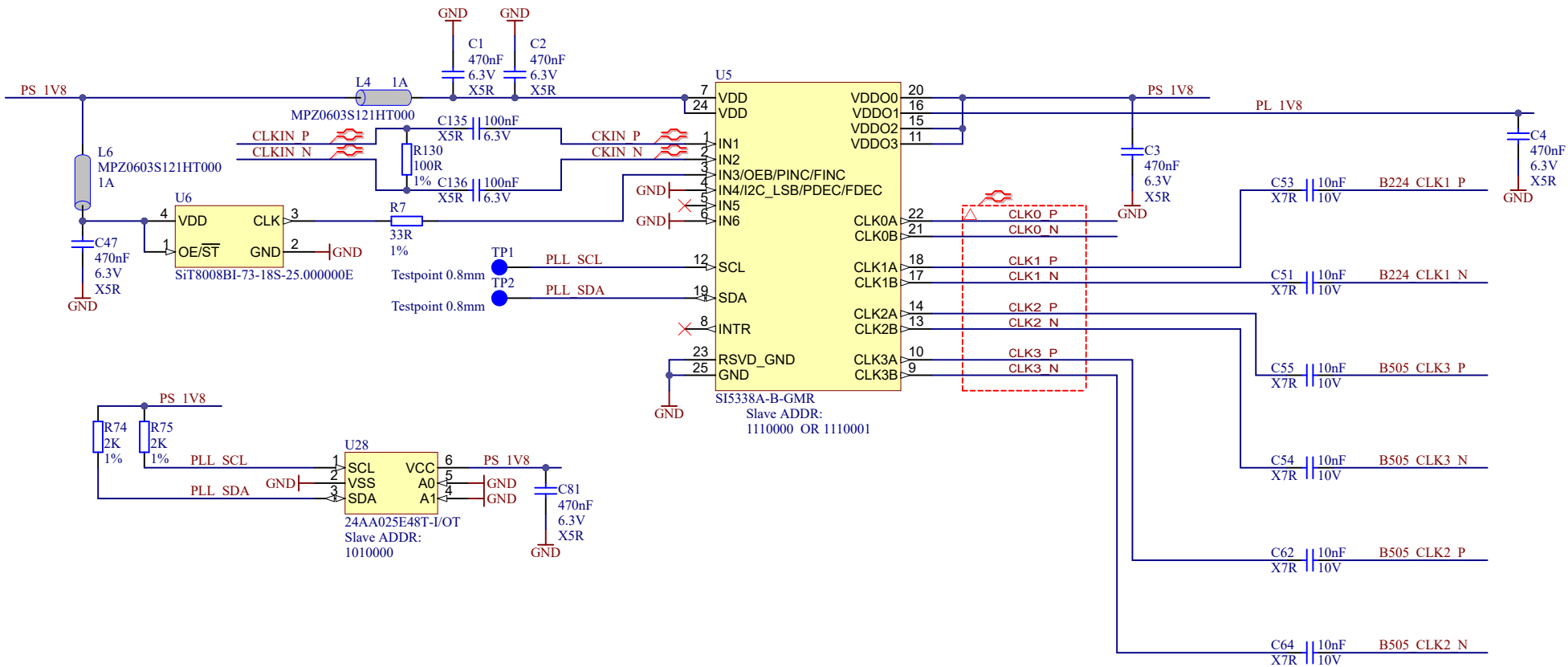
Title: TE0813 - DDR4_2_RAM		
A4	Number: TE0813 4DE11-A	Rev. 01
Date: 2021-08-16	Copyright: Trenz Electronic GmbH / TT	Page 21 of 30
Filename: DDR4-RAM_2.SchDoc		




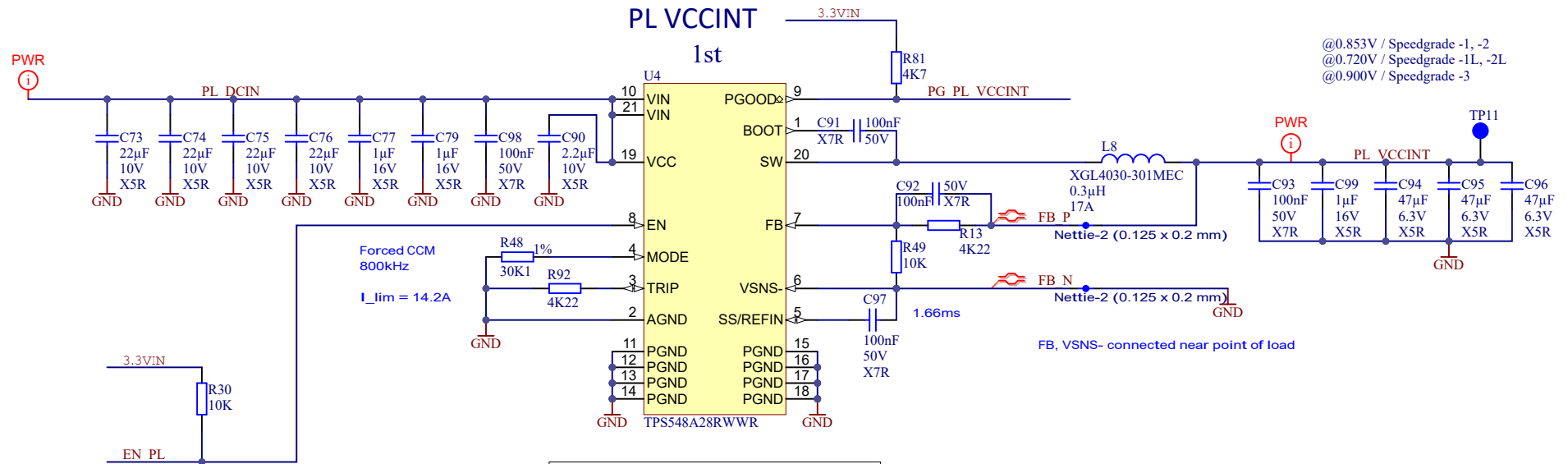
Title: TE0813 - DDR4_4_RAM		
A4	Number: TE0813 4DE11-A	Rev. 01
Date: 2021-08-16	Copyright: Trenz Electronic GmbH / TT	Page 23 of 30
Filename: DDR4-RAM_4.SchDoc		



Title: TE0813 - DDR4_TERM		
A4	Number: TE0813 4DE11-A	Rev. 01
Date: 2021-08-16	Copyright: Trenz Electronic GmbH / TT	Page 24 of 30
Filename: DDR4-TERM.SchDoc		



		Title: TE0813 - CLOCK	
		A4	Number: TE0813 4DE11-A
Date: 2021-08-16		Copyright: Trenz Electronic GmbH / TT	
Filename: Clock.SchDoc		Page 25 of 30	



@0.853V / Speedgrade -1, -2
 @0.720V / Speedgrade -1L, -2L
 @0.900V / Speedgrade -3

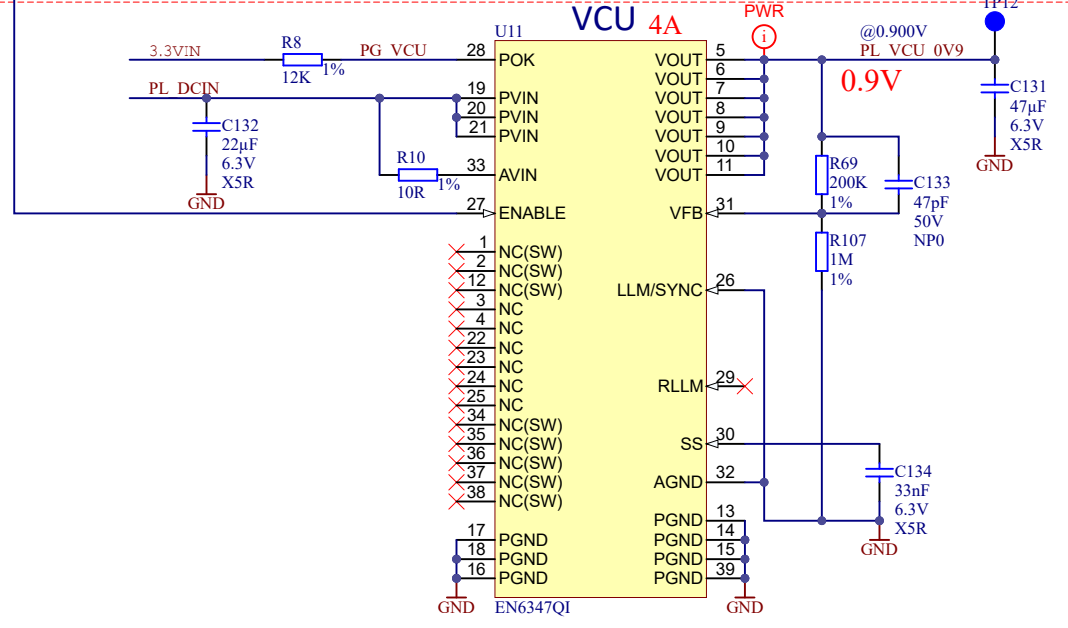
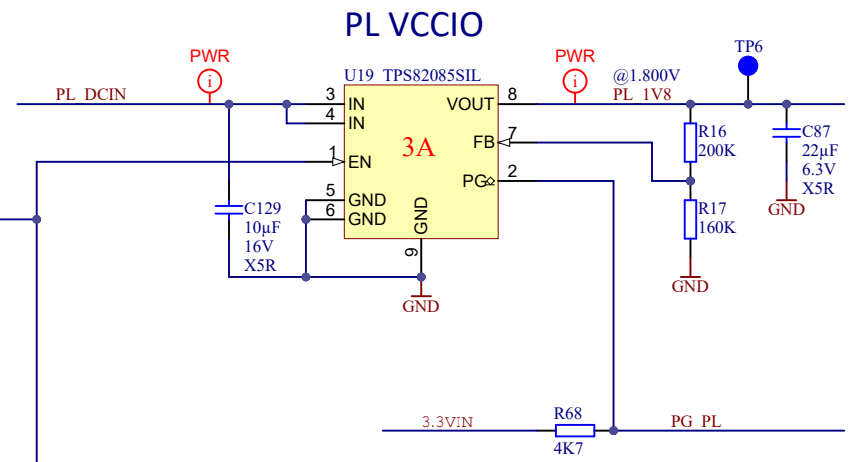
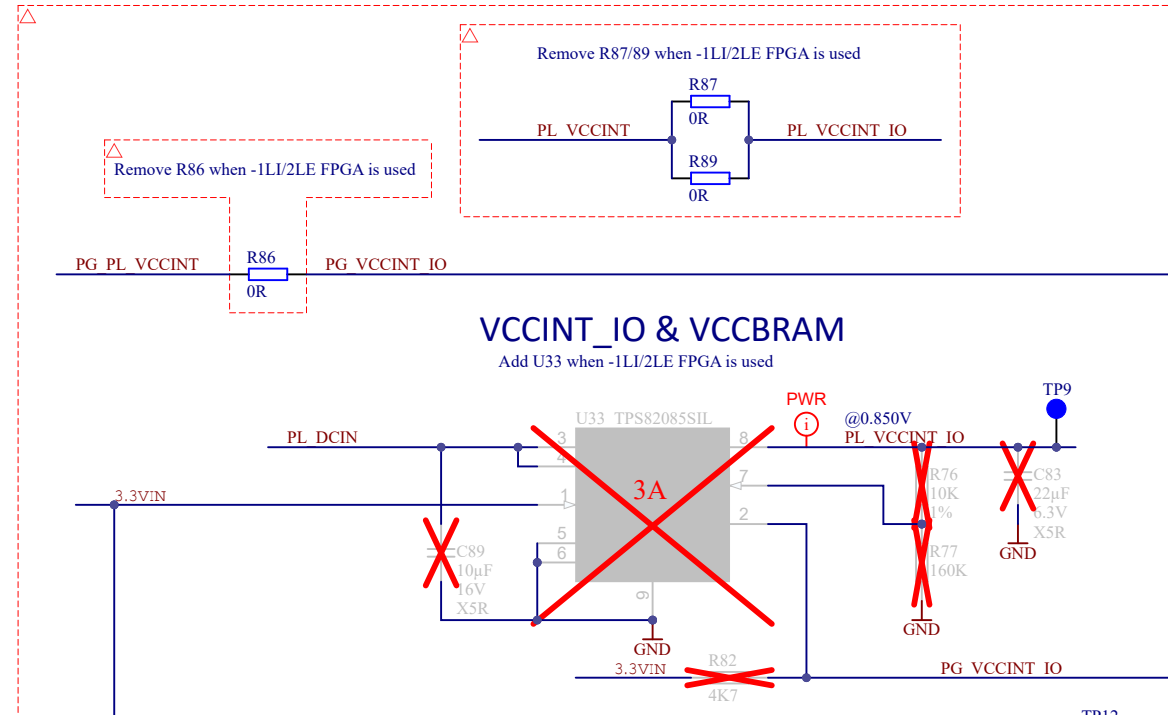
FPGA Speed grade:


-1L1 / -2LE	R13 - 2K, R49 - 10K	PL_VCCINT = 0.720V
-1 / -2	R13 - 4K22, R49 - 10K	PL_VCCINT = 0.853V
-3E	R13 - 10K, R49 - 20K	PL_VCCINT = 0.900V

U4 pin compatible with
 -- TPS548B28 (20A)
 -- TPS54JA20 (12A)

Title: TE0813 - POWER		
A4	Number: TE0813 4DE11-A	Rev. 01
Date: 2021-08-16	Copyright: Trenz Electronic GmbH / TT	Page 26 of 30
Filename: POWER.SchDoc		

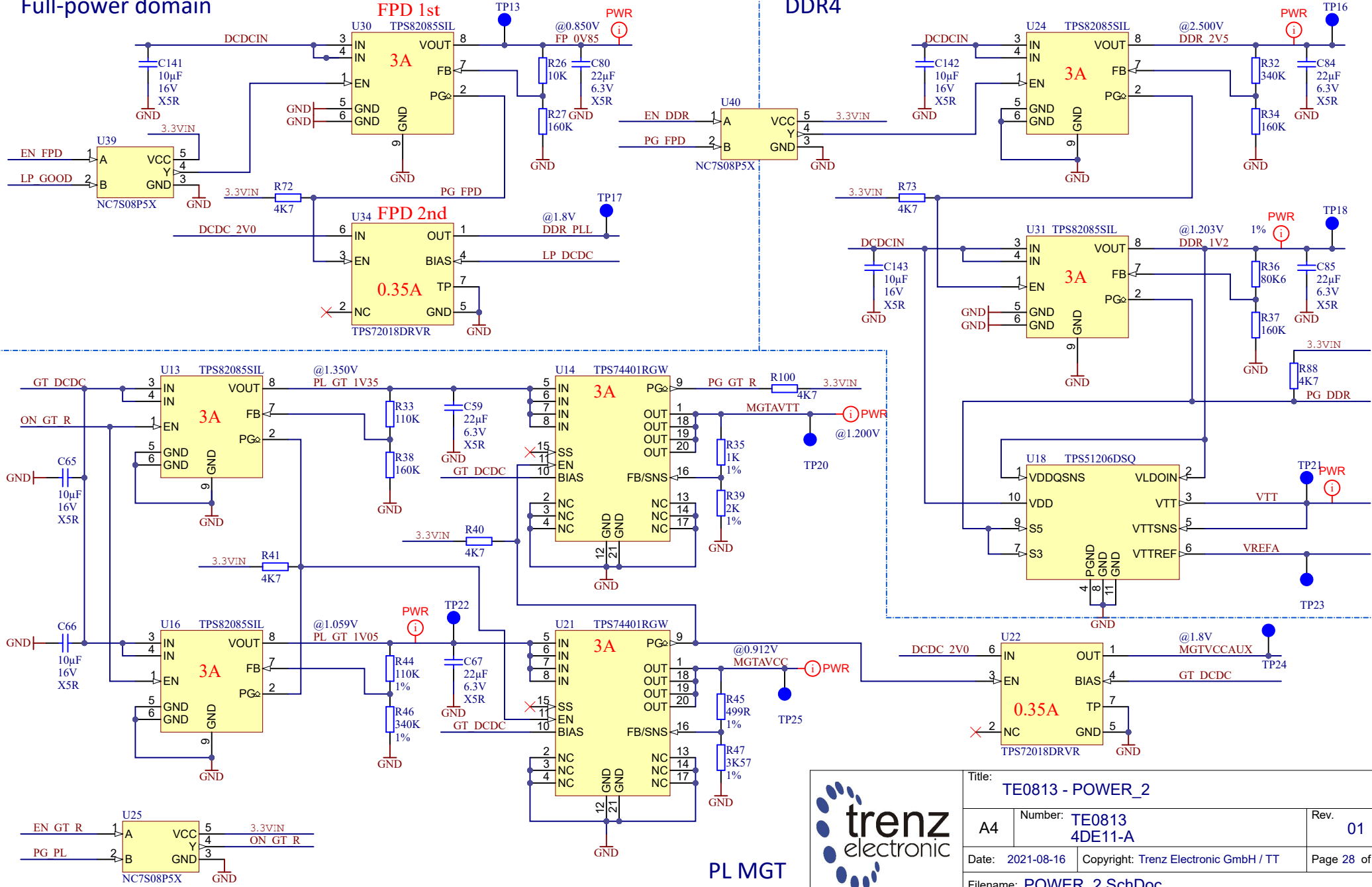




			Title: TE0813 - POWER	
			A4	Number: TE0813 4DE11-A
Date: 2021-08-16		Copyright: Trenz Electronic GmbH / TT		Page 27 of 30
Filename: POWER_1.SchDoc				

Full-power domain

DDR4



Title: TE0813 - POWER_2		
A4	Number: TE0813 4DE11-A	Rev. 01
Date: 2021-08-16	Copyright: Trenz Electronic GmbH / TT	Page 28 of 30
Filename: POWER_2.SchDoc		

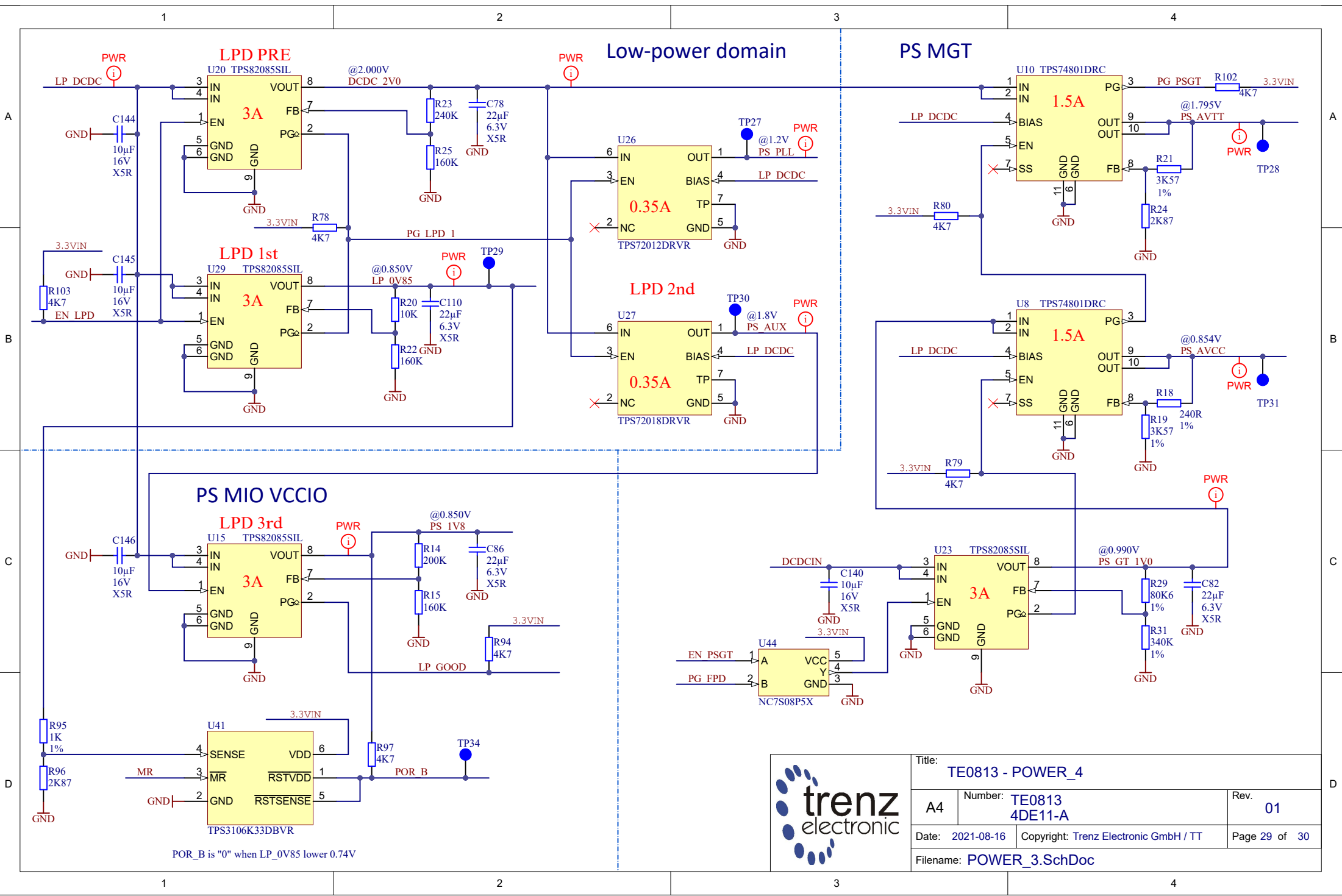
1

2

3

4

PL MGT



POR_B is "0" when LP_0V85 lower 0.74V



Title: TE0813 - POWER_4		
A4	Number: TE0813 4DE11-A	Rev. 01
Date: 2021-08-16	Copyright: Trenz Electronic GmbH / TT	Page 29 of 30
Filename: POWER_3.SchDoc		

1

2

3

4

A

A

B

B


C

C

D

D

REV	DATE	Description	
-01	2021-05	Initial revision	VT

			Title: TE0813 - Revision History		
			A4	Number: TE0813 4DE11-A	Rev. 01
Date: 2021-07-26		Copyright: Trenz Electronic GmbH		Page 30 of 30	
Filename: Revision Changes.SchDoc					

1

2

3

4