

Regarding the usage of our schematics and alike documentation for Trenz module TE0813.

Project is protected under copyright and we strongly and strictly prohibit the reverse engineering or recreation, even if the design is just adapted or modified.

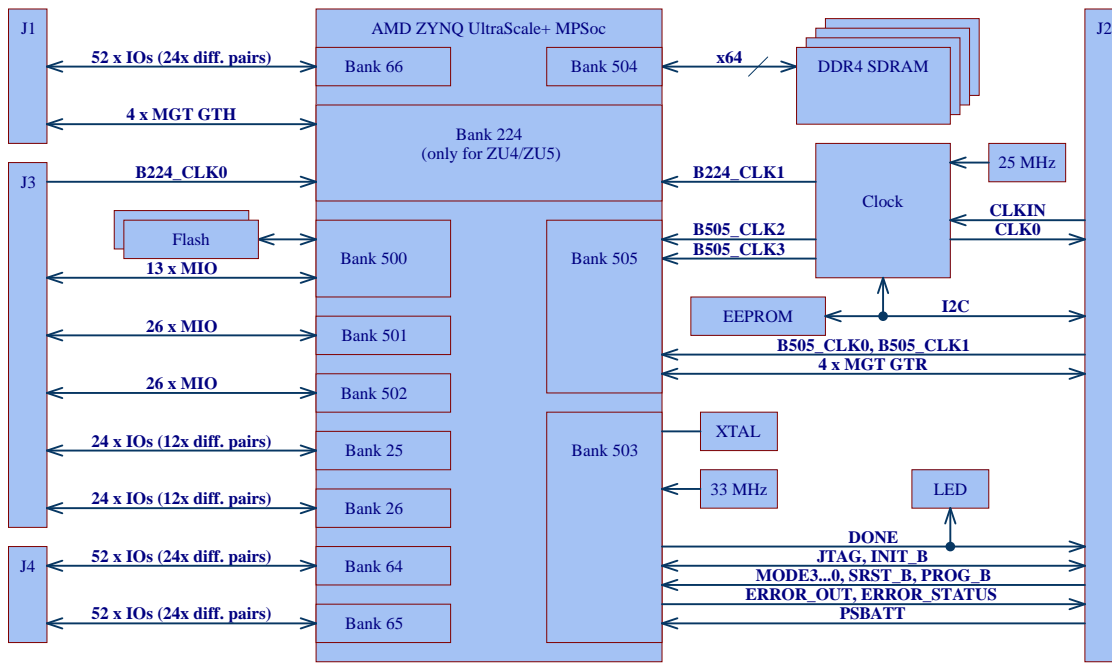
TE0813 is protected under such right and in case of plagiarism we will have to do anything necessary in order to protect our assets.

Schematics and other handouts serve for informational purposes only!

Drawn by	ED
Checked by	MR
Assembly variant	4BE71-A
Created by	ED
Modified by	ED
Modified at	2023-05-17



Title: TE0813 - Legal Notices		
A4	Number: TE0813 4BE71-A	Rev. 02
Date: 14.06.2023	Copyright: Trenz Electronic GmbH	Page 1 of 30
Filename: Legal Notices Modules.SchDoc		



Supported Voltage Ranges:

Power Rail	Direction	Range	Tolerance	Description	Note
3.3VIN	IN	3.3V	+/- 5 %	Micromodule Power	Management voltage rail, supplied by power rail
PL_DCIN	IN	3.3V	+/- 5 %	Micromodule Power	Programmable Logic, supplied by power rail
LP_DCDC	IN	3.3V	+/- 3 %	Micromodule Power	Low-Power Domain, supplied by power rail
GT_DCDC	IN	3.3V	+/- 3 %	Micromodule Power	GTH Transceiver, supplied by power rail
DCDCIN	IN	3.3V	+/- 5 %	Micromodule Power	Full-Power Domain and GTR, supplied by power rail
VCCO_64	IN	1.0 V - 1.8 V	+/- 3 %	HP IO Bank 64	Supplied by external power rail via B2B connector
VCCO_65	IN	1.0 V - 1.8 V	+/- 3 %	HP IO Bank 65	Supplied by external power rail via B2B connector
VCCO_66	IN	1.0 V - 1.8 V	+/- 3 %	HP IO Bank 66	Supplied by external power rail via B2B connector
VCCO_25	IN	1.2 V - 3.3 V	+/- 3 %	HD IO Bank 25	Supplied by external power rail via B2B connector
VCCO_26	IN	1.2 V - 3.3 V	+/- 3 %	HD IO Bank 26	Supplied by external power rail via B2B connector
PSBATT	IN	1.2 V - 1.5 V	-	RTC / BBRAM	Supplied by external power rail via B2B connector
PL_1V8	OUT	1.8 V	+/- 3 %	Power for Carrier	Micromodule: Programmable Logic
PS_1V8	OUT	1.8 V	+/- 3 %	Power for Carrier	Micromodule: Processing System
DDR_1V2	OUT	1.2 V	+/- 3 %	Power for Carrier	Micromodule: PS DDR I/O Supply


I2C Address:

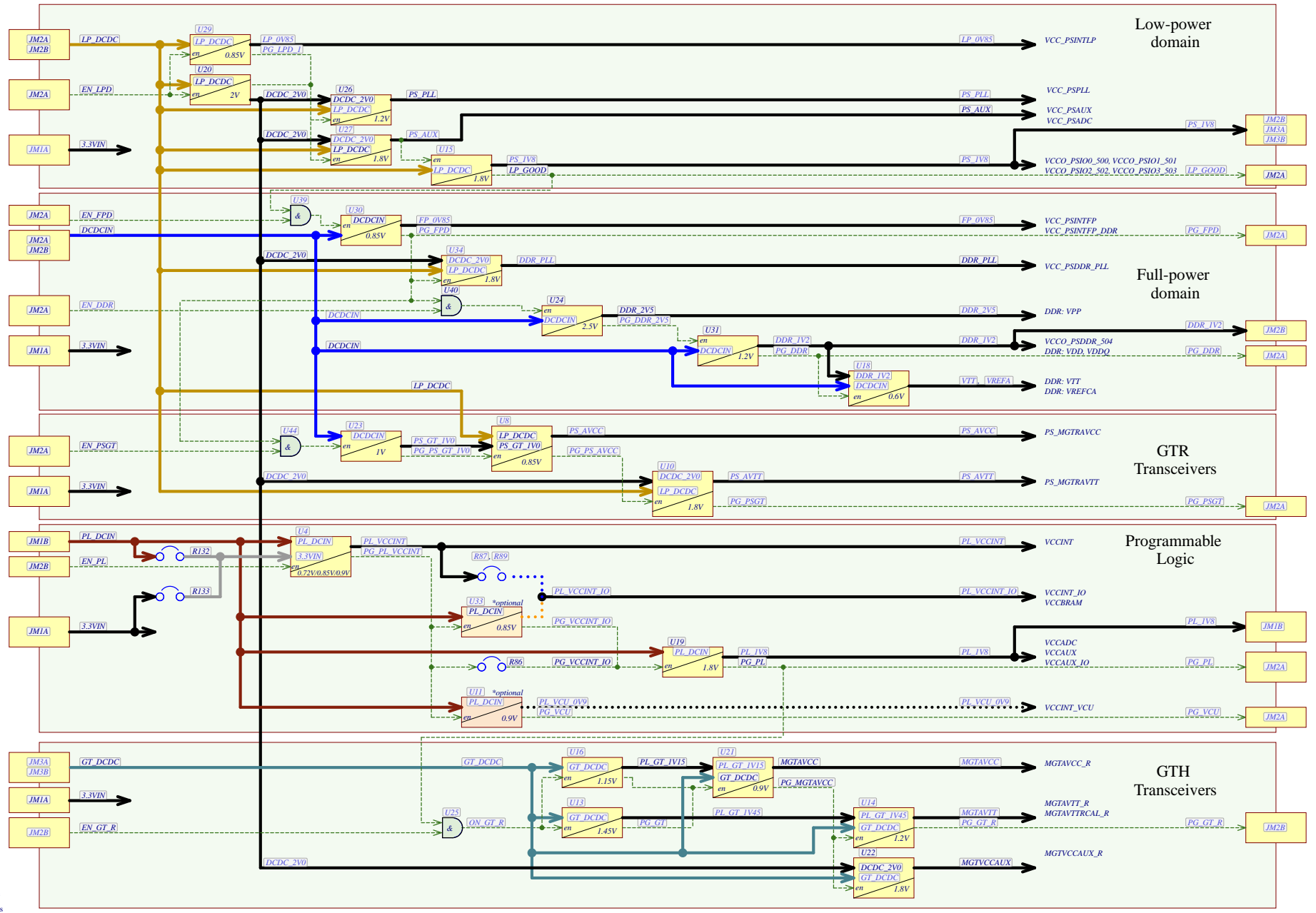
Device	I2C ADDR	Note
PLL U5	0x70	-
EEPROM U28	0x50	-



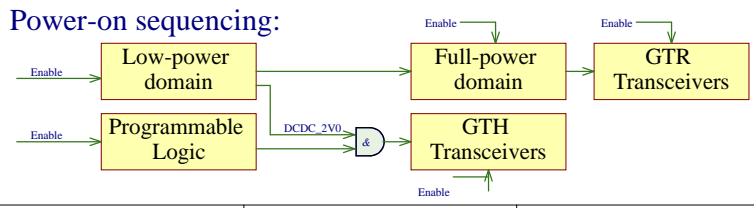
Title: TE0813 - System Overview		
A4	Number: TE0813 4BE71-A	Rev. 02
Date: 14.06.2023	Copyright: Trenz Electronic GmbH	Page 2 of 30
Filename: TE0813-Overview.SchDoc		

REV	DATE	Description	
-01	2021-05	Initial revision	VT
	2022-03	Added Table with Supported Voltage Ranges	
	2022-05	Changed DCDC U4 TPS548A28 to MPQ8633BGLE-Z Changed C92 100nF to 1nF	
	2022-11	Added additional Info about Voltage Range	
-02	2023-07	<p>1. Change DCDC U11 from EN6347QI to MPM3860GQW-Z and adapted according circuits.</p> <p>2. Connected DDR4-TEN signals together for U2, U3, U9, and U12 and pulled them low via 499 Ohm resistor R131. Added a testpoint TP3 for DDR4-TEN.</p> <p>3. Changed voltage rail from 1.35 V to 1.45 V via adapting voltage divider resistors R33 and R38 and changed according voltage rail name PL_GT_1V35 to PL_GT_1V45.</p> <p>4. Changed voltage rail from 1.05 V to 1.15 V via adaption voltage divider resistors R44 and R46 and changed according rail name PL_GT_1V05 to PL_GT_1V15.</p> <p>5. Added diode D2 between U41 pin 3 net MR and voltage rail 3.3VIN.</p> <p>6. Connected enable signal for U11 and U33 from "3.3VIN" to "PG_PL_VCCINT".</p> <p>7. Added capacitors C137, C147, and C148 for VTT voltage rail.</p> <p>8. Added resistors R132 (default: not fitted) and R133 to supply U4 VCC either from "PL_DCCIN" or from "3.3VIN".</p> <p>9. Change resistor R92 from 4.22 kOhm to 9.09 kOhm to set current limit to nearly 14.5 A for U4.</p> <p>10. Added remote sense option:</p> <p>10.1 R134 for U30</p> <p>10.2 R135 for U29</p> <p>10.3 R136 for U31</p> <p>11. Added decoupling capacitors:</p> <p>11.1 C210 and C211 for U5.</p> <p>11.2 C190 for U7.</p> <p>11.3 C198, C199, and C213 for U8.</p> <p>11.4 C153, C170...172 for U9</p> <p>11.5 C196 C197, and C212 for U10.</p> <p>11.6 C156 and C157 for U12</p> <p>11.7 C207 and C208 for U14.</p> <p>11.8 C189 for U17.</p> <p>11.9 C149...152, C205, and C206 for U18</p> <p>11.10 C209 and C217 for U21.</p> <p>11.11 C214...216 for U22.</p> <p>11.12 C154 and C155 for U24</p> <p>11.13 C188 and C191 for U26.</p> <p>11.14 C187 and C195 for U27.</p> <p>11.15 C203 and C204 for U34.</p> <p>11.16 C201 for U39.</p> <p>11.17 C202 for U40.</p> <p>11.18 C178 for U41.</p> <p>11.19 C200 for U44.</p> <p>12. Added testpoints TP4, TP19, TP26.</p> <p>13. Added UKCA logo.</p> <p>14. Change 100 nF capacitors C135 and C136 from 6.3 V to 25 V for BOM optimization.</p>	ED

	Title: TE0813 - Revision History		
	A4	Number: TE0813 4BE71-A	Rev. 02
	Date: 12.06.2023	Copyright: Trenz Electronic GmbH	Page 3 of 30
	Filename: Revision Changes.SchDoc		



- Net name
- Power bus
- Control signal
- Power bus in FPGA speedgrade -1/-2/-3 assembly variants
- Power bus in FPGA speedgrade -1L/-2L assembly variants (low power)
- Optional power converter
- Logic AND gate



1

2

3

4

Special notes:

A

A

B

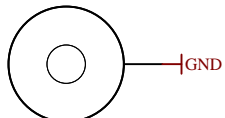
B

C

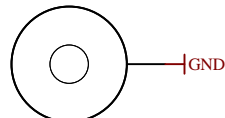
C

D

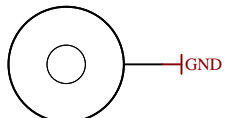
D



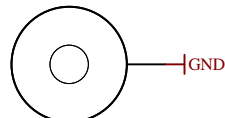
Mount.Hole 3.2mm für Unterlegscheibe



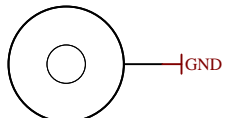
Mount.Hole 3.2mm für Unterlegscheibe



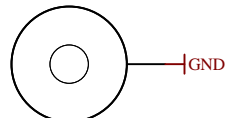
Mount.Hole 3.2mm für Unterlegscheibe



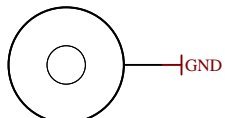
Mount.Hole 3.2mm für Unterlegscheibe



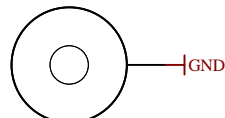
Mount.Hole 3.2mm für Unterlegscheibe



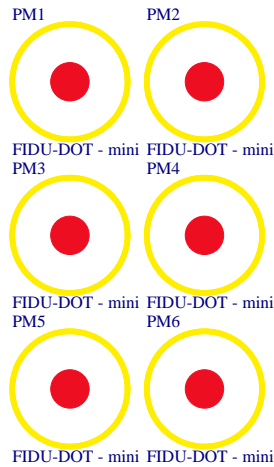
Mount.Hole 3.2mm für Unterlegscheibe



Mount.Hole 3.2mm für Unterlegscheibe



Mount.Hole 3.2mm für Unterlegscheibe



UKCA1

UKCA Logo on Top Overlay

UKCA-TOPOVERLAY

CE1

CE Logo on Top Overlay

CE-TOPOVERLAY

MECH1

TE Address Overlay

LOGO ADDRESS

LOGO1

TE Logo PRINT Layer

LOGO PRINT

Serial
Serialnumber 6,3 x 6.3mm



Title: TE0813

A4	Number: TE0813 4BE71-A	Rev. 02
----	---------------------------	---------

Date: 13.06.2023	Copyright: Trenz Electronic GmbH	Page 5 of 30
------------------	----------------------------------	--------------

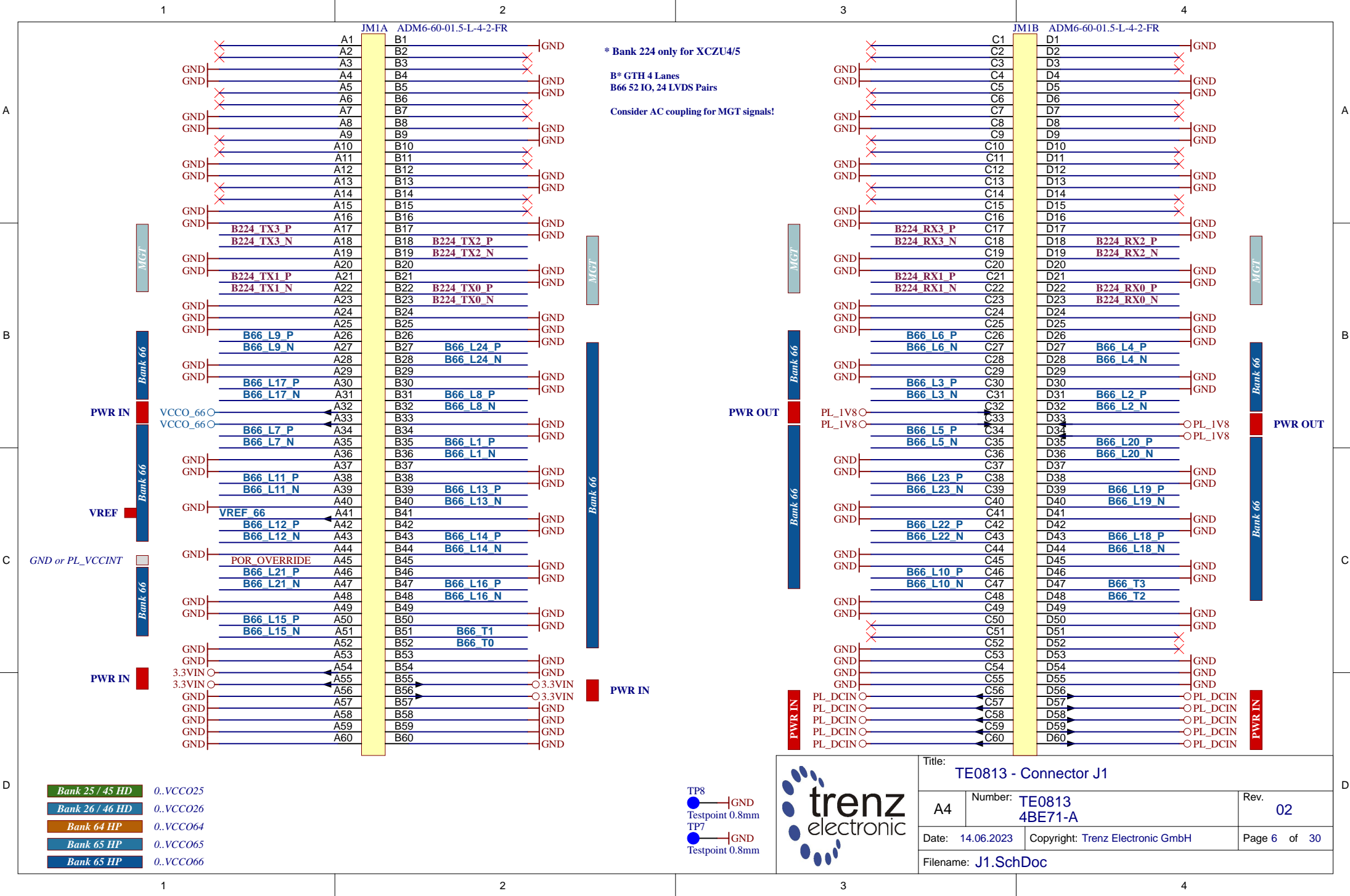
Filename: TE0813.SchDoc

1

2

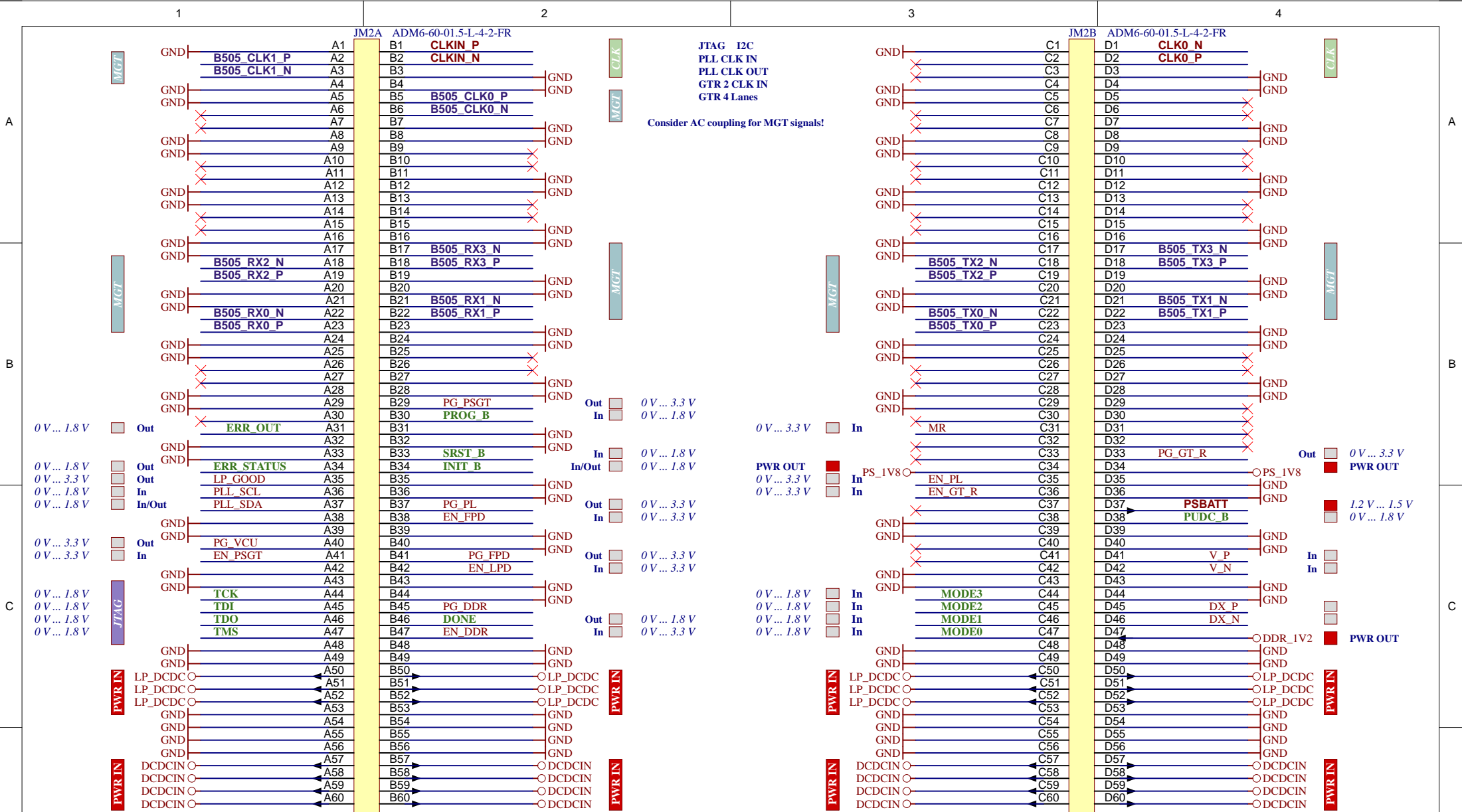
3

4



* Bank 224 only for XCZU4/5
 B* GTH 4 Lanes
 B66 52 IO, 24 LVDS Pairs
 Consider AC coupling for MGT signals!

Title: TE0813 - Connector J1		
A4	Number: TE0813 4BE71-A	Rev. 02
Date: 14.06.2023	Copyright: Trenz Electronic GmbH	Page 6 of 30
Filename: J1.SchDoc		



Title: TE0813 - Connector J2		
A4	Number: TE0813 4BE71-A	Rev. 02
Date: 14.06.2023	Copyright: Trenz Electronic GmbH	Page 7 of 30
Filename: J2.SchDoc		

D

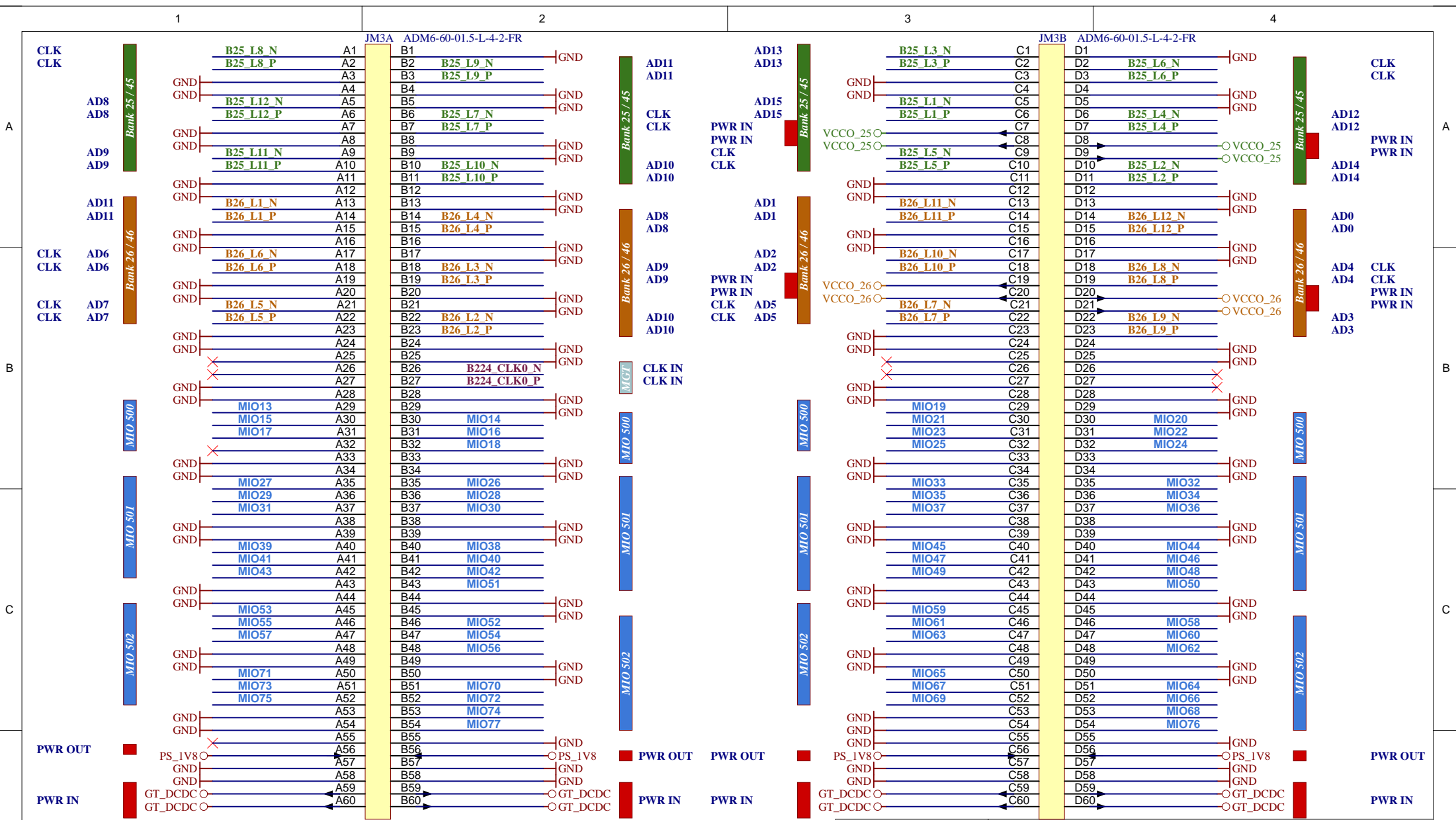
1

2

3

4

D



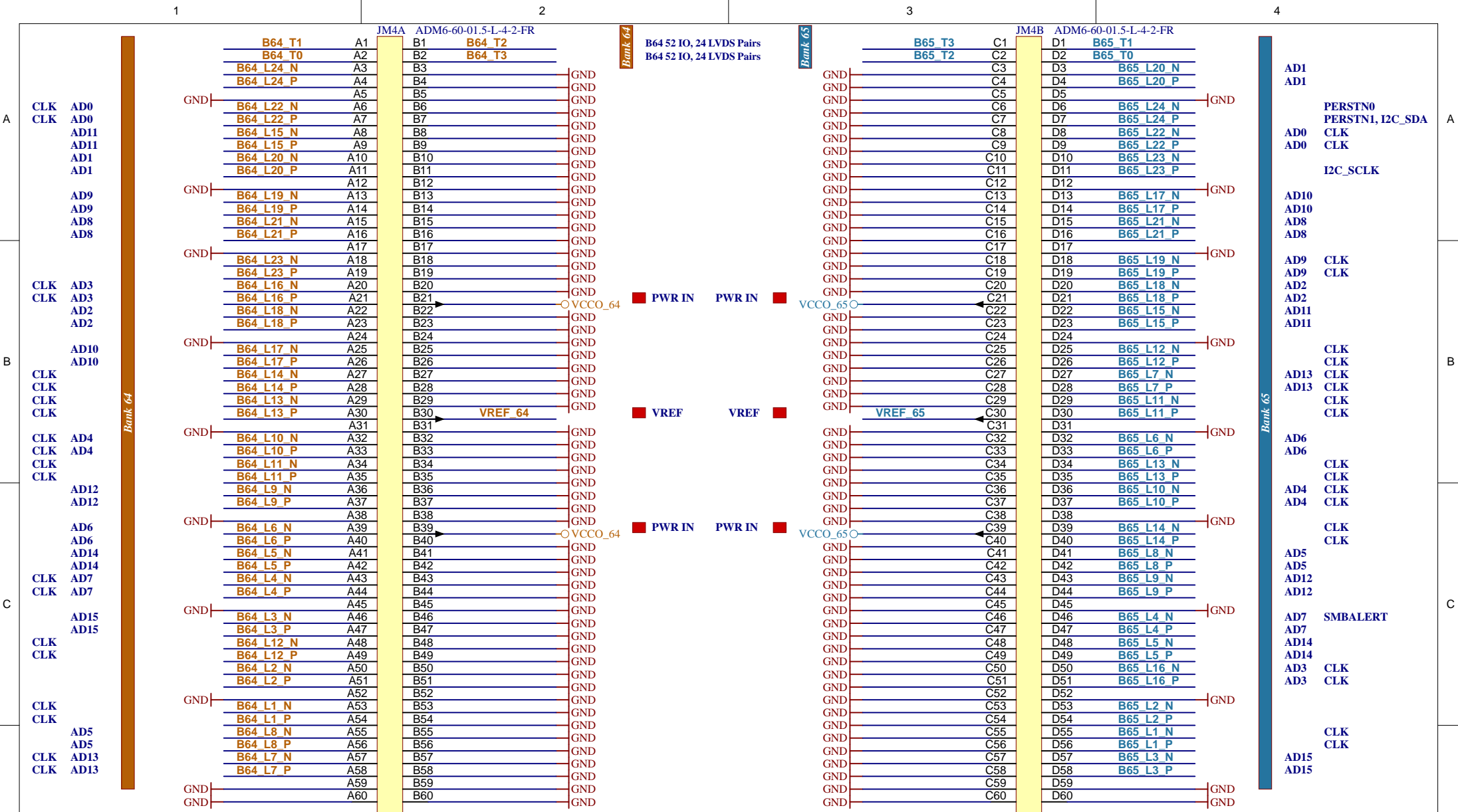
- Bank 25 / 45 HD ..VCC025
- Bank 26 / 46 HD ..VCC026
- Bank 64 HP ..VCC064
- Bank 65 HP ..VCC065
- Bank 65 HP ..VCC066

* Bank 25 for XCZU/3
 * Bank 45 for XCZU/4/5
 ** Bank 26 for XCZU/3
 ** Bank 46 for XCZU/4/5
 *** Bank 224 only for XCZU/4/5

B* 24 IO, 12 LVDS Pairs
 B** 24 IO, 12 LVDS Pairs
 B*** GTH 1 CLK IN
 65 MIO



Title: TE0813 - Connector J3		
A4	Number: TE0813 4BE71-A	Rev. 02
Date: 14.06.2023	Copyright: Trenz Electronic GmbH	Page 8 of 30
Filename: J3.SchDoc		



- Bank 25 / 45 HD ..VCCO25
- Bank 26 / 46 HD ..VCCO26
- Bank 64 HP ..VCCO64
- Bank 65 HP ..VCCO65
- Bank 65 HP ..VCCO66



Title: TE0813 - Connector J4		
A4	Number: TE0813 4BE71-A	Rev. 02
Date: 14.06.2023	Copyright: Trenz Electronic GmbH	Page 9 of 30
Filename: J4.SchDoc		

A

A

B

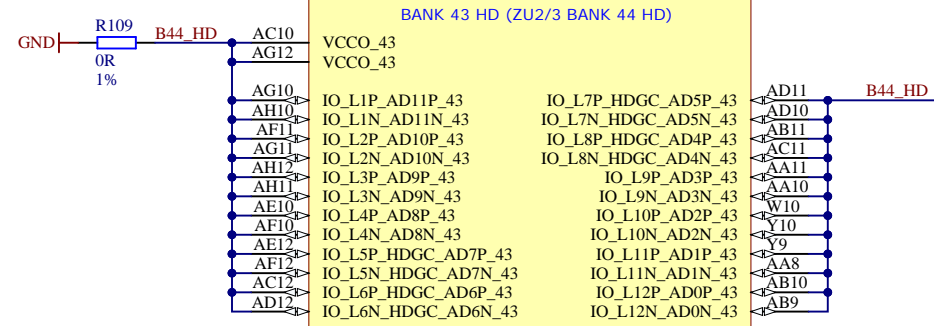
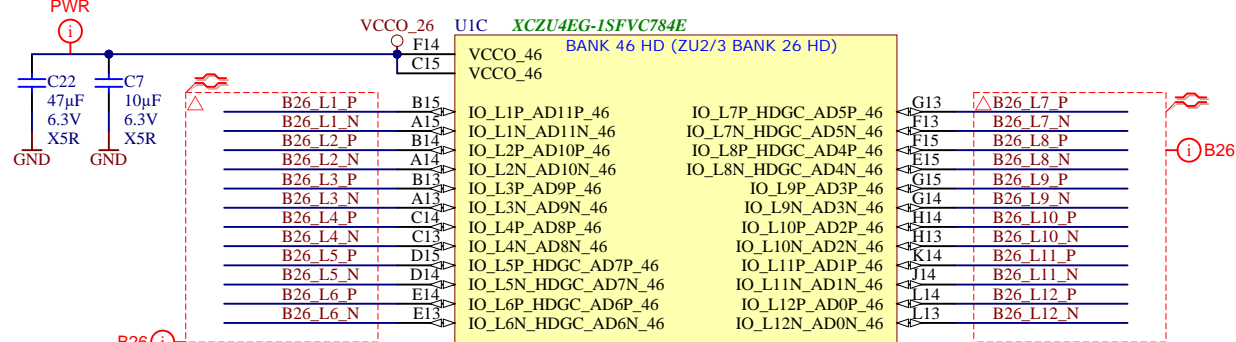
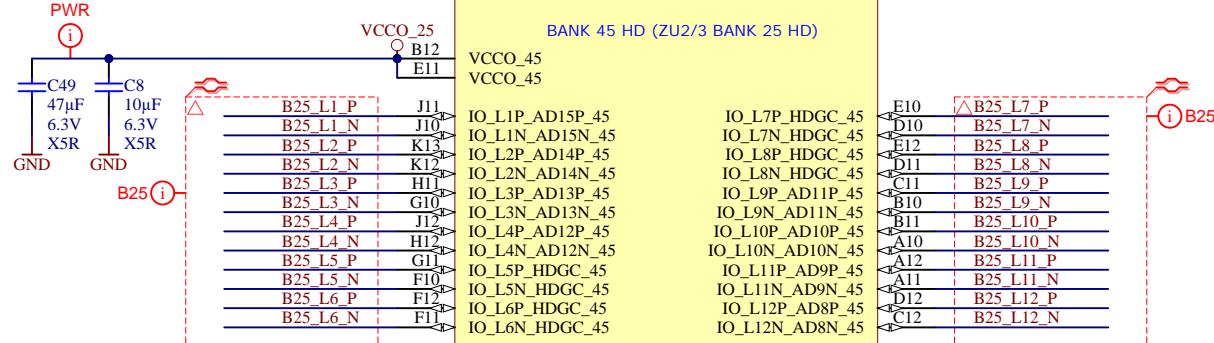
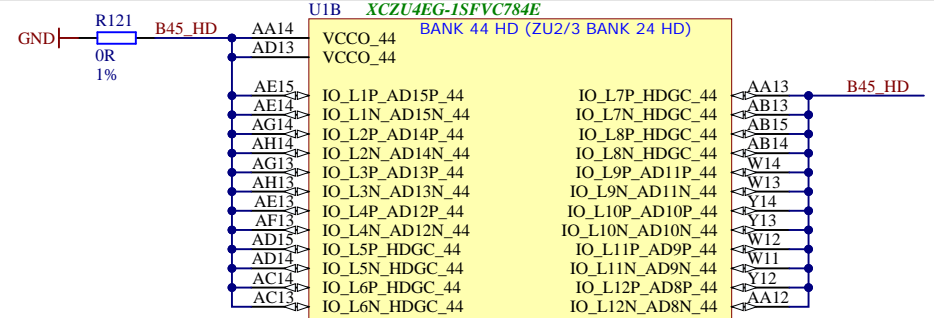
B

C

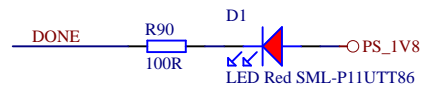
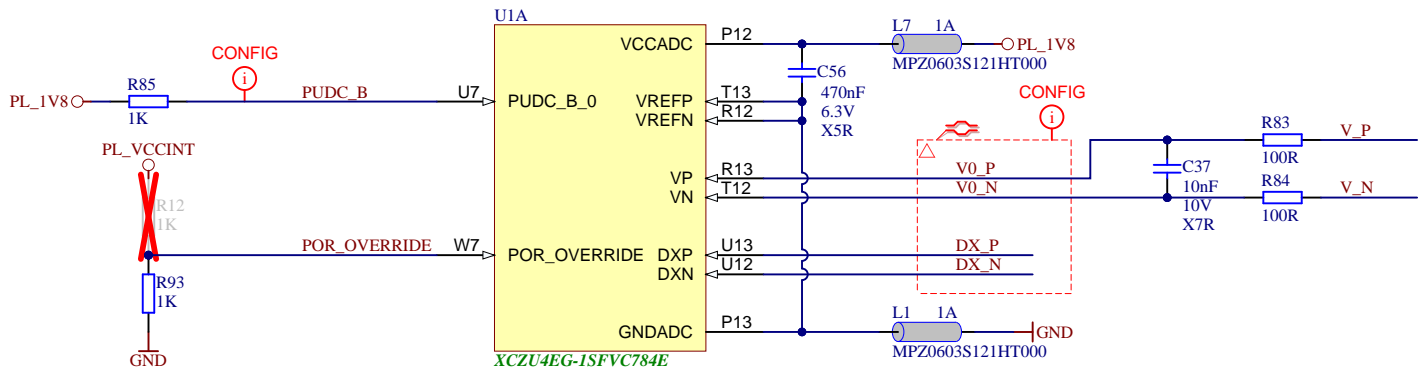
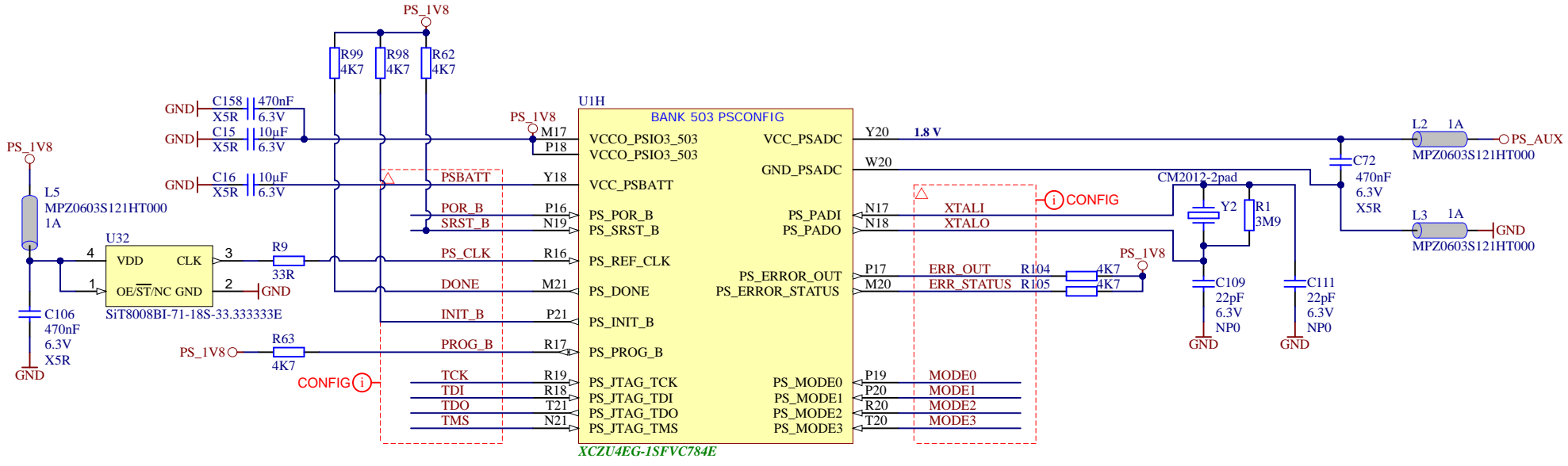
C

D

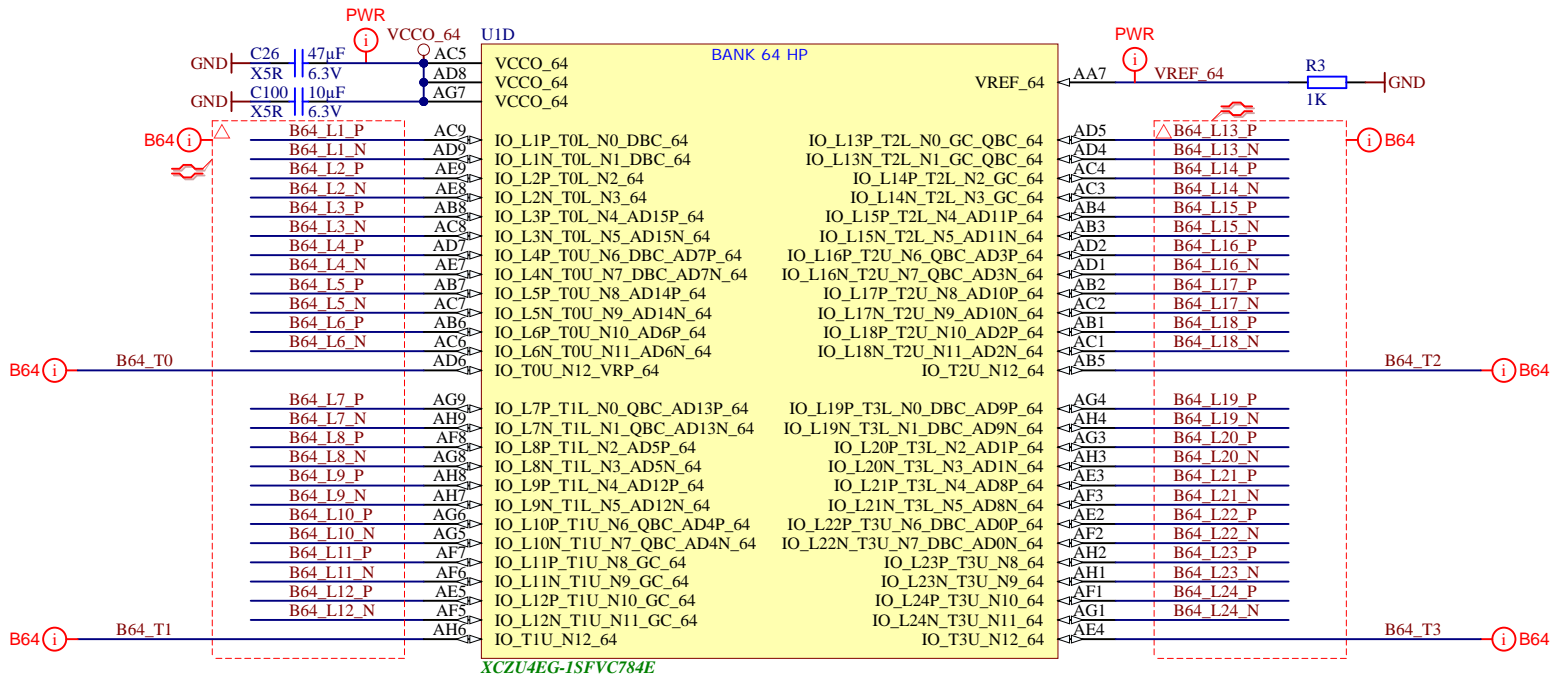
D



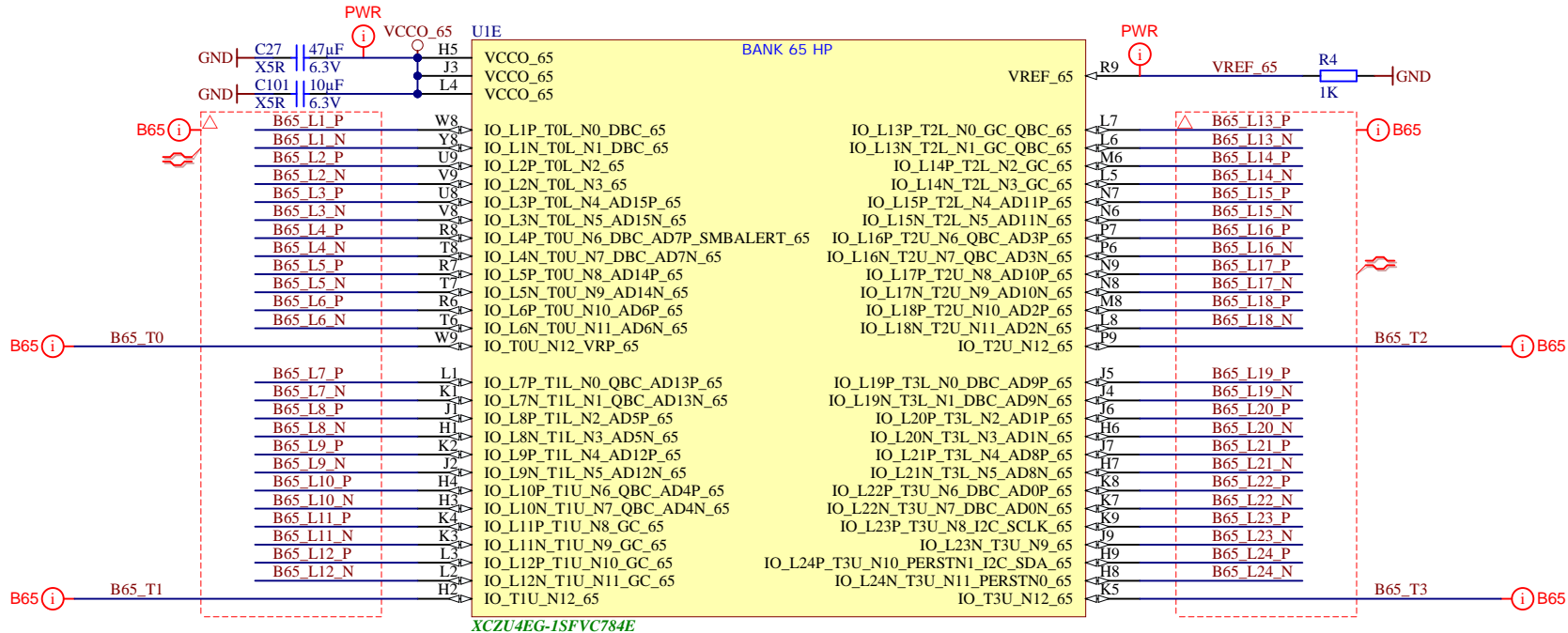
Title: TE0813 - HD Banks		
A4	Number: TE0813 4BE71-A	Rev. 02
Date: 12.06.2023	Copyright: Trenz Electronic GmbH	Page 10 of 30
Filename: B_HD.SchDoc		



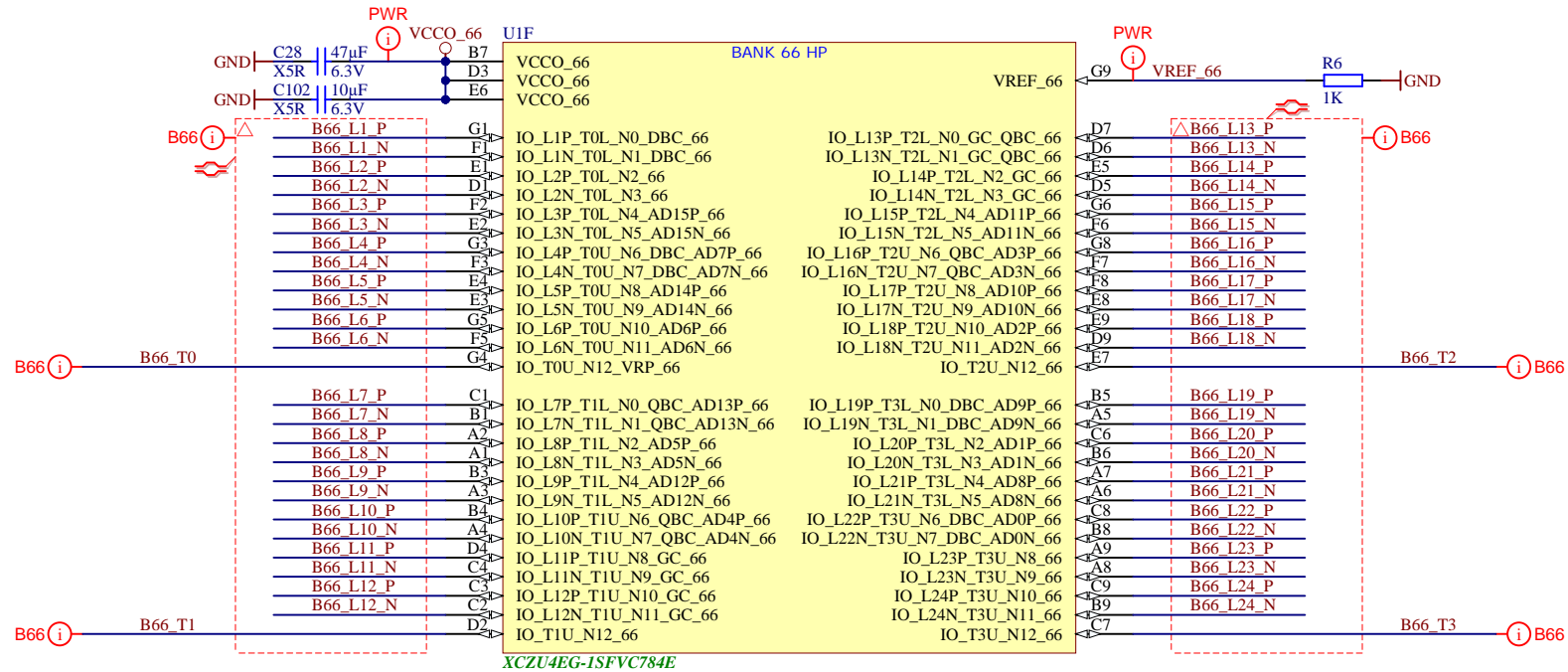
Title: TE0813 - Config		
A4	Number: TE0813 4BE71-A	Rev. 02
Date: 12.06.2023	Copyright: Trenz Electronic GmbH	Page 11 of 30
Filename: CONFIG.SchDoc		




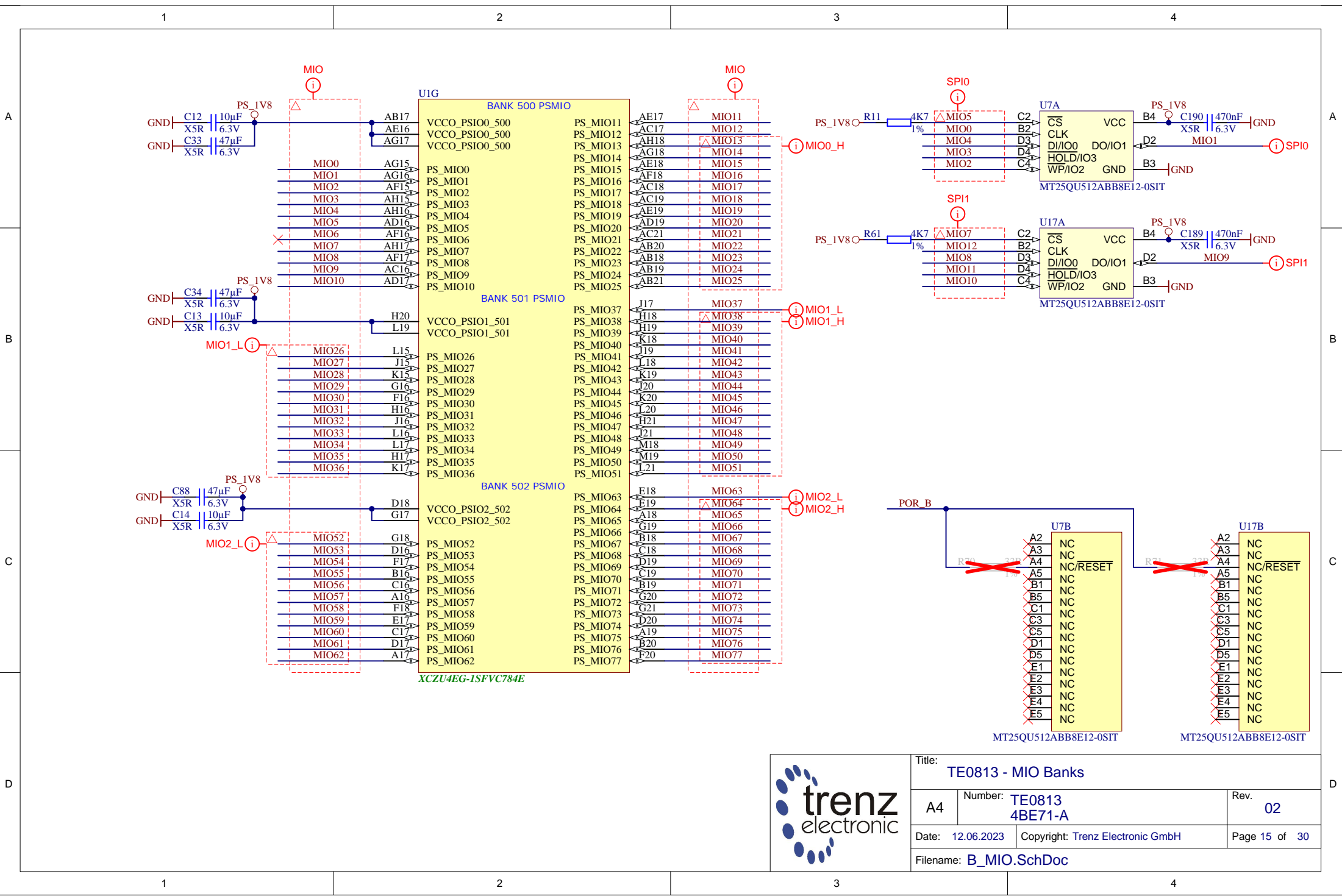
Title: TE0813 - B64		
A4	Number: TE0813 4BE71-A	Rev. 02
Date: 12.06.2023	Copyright: Trenz Electronic GmbH	Page 12 of 30
Filename: B64.SchDoc		



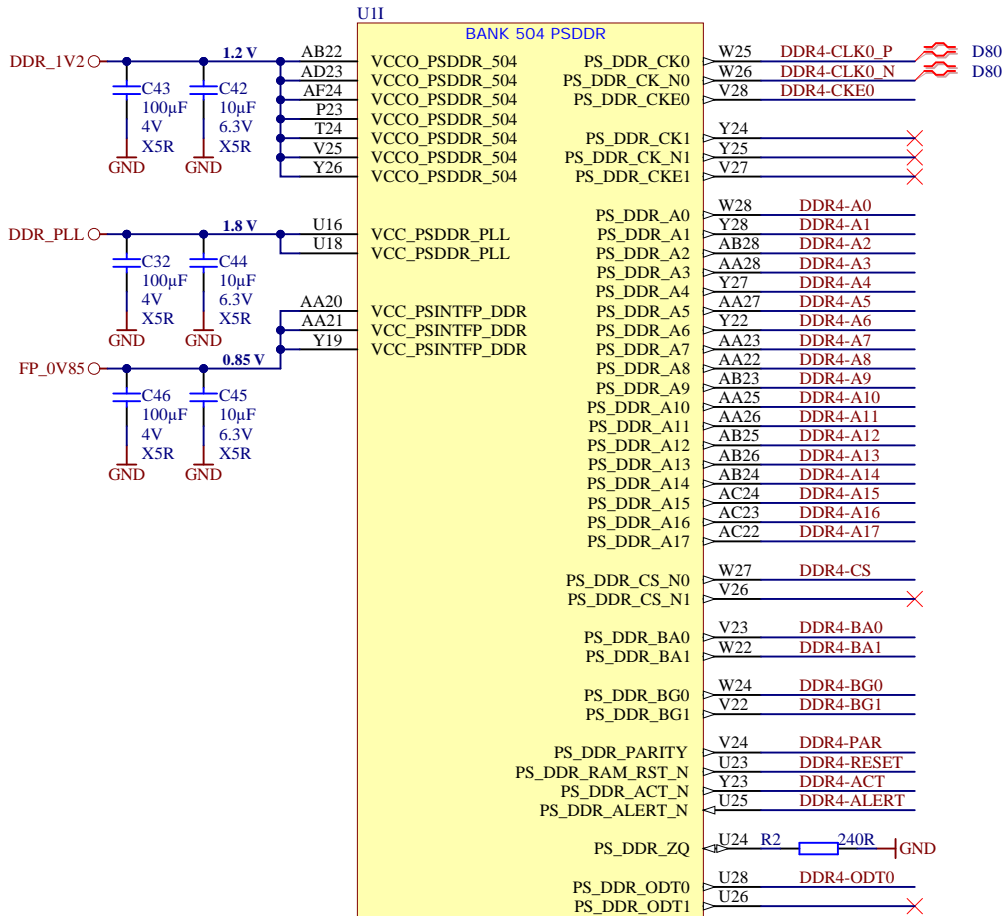
Title: TE0813 - B65		
A4	Number: TE0813 4BE71-A	Rev. 02
Date: 12.06.2023	Copyright: Trenz Electronic GmbH	Page 13 of 30
Filename: B65.SchDoc		



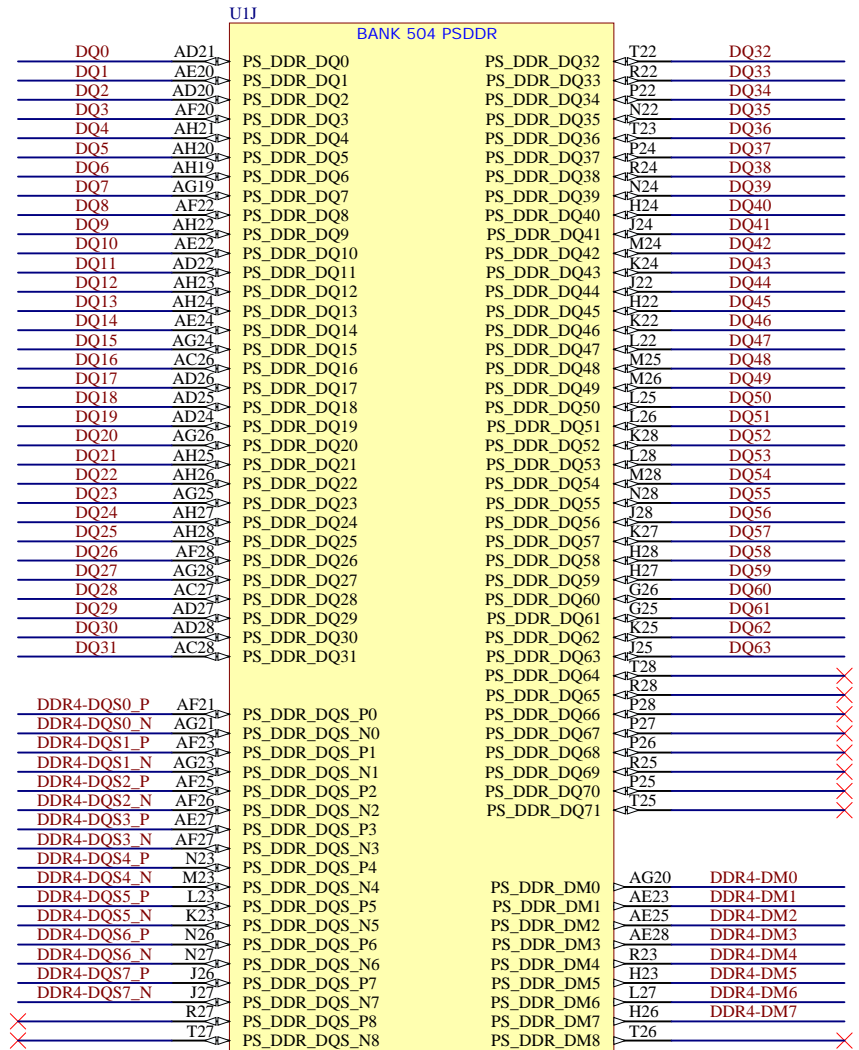
		Title: TE0813 - B66	
		A4	Number: TE0813 4BE71-A
Date: 12.06.2023		Copyright: Trenz Electronic GmbH	
Filename: B66.SchDoc		Page 14 of 30	



Title: TE0813 - MIO Banks		
A4	Number: TE0813 4BE71-A	Rev. 02
Date: 12.06.2023	Copyright: Trenz Electronic GmbH	Page 15 of 30
Filename: B_MIO.SchDoc		



XCZU4EG-1SFVC784E



XCZU4EG-1SFVC784E



Title: TE0813 - PS_DDR		
A4	Number: TE0813 4BE71-A	Rev. 02
Date: 12.06.2023	Copyright: Trenz Electronic GmbH	Page 16 of 30
Filename: PS_DDR.SchDoc		

1

2

3

4

A

A

B

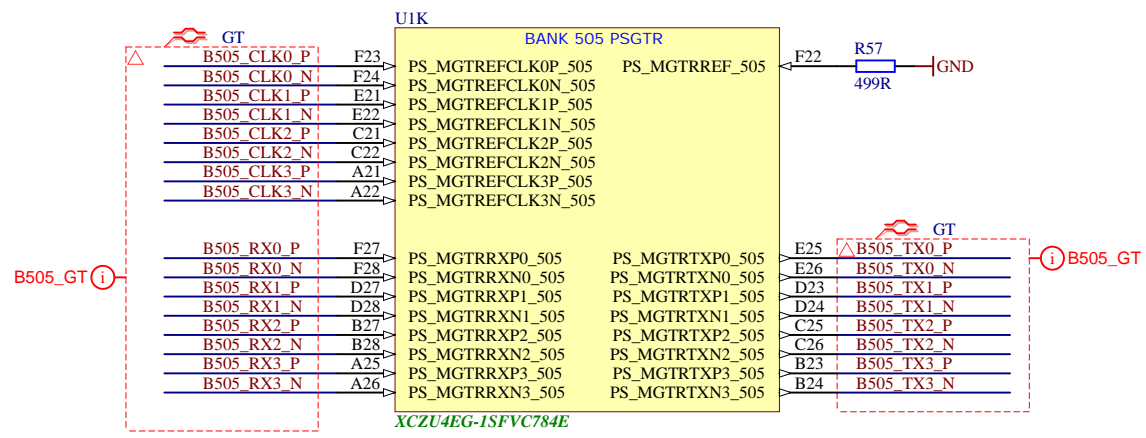
B

C

C

D

D



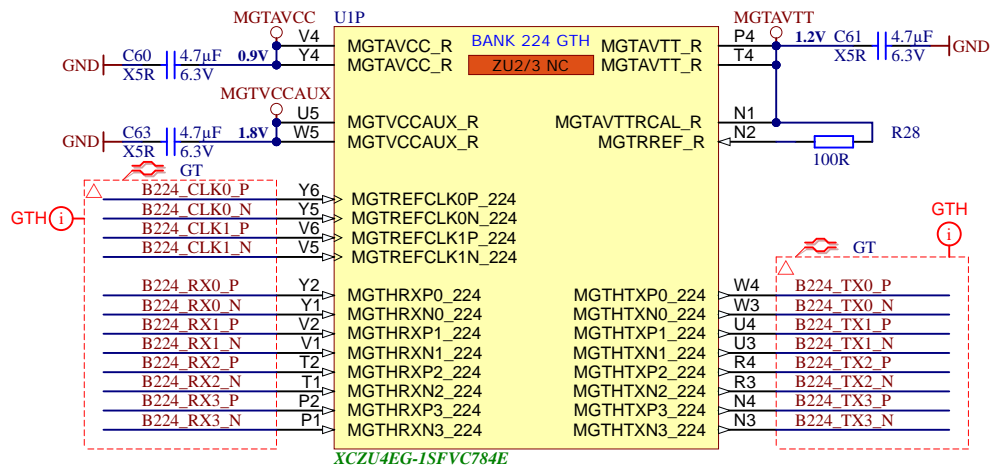
Title: TE0813 - PS_GT		
A4	Number: TE0813 4BE71-A	Rev. 02
Date: 12.06.2023	Copyright: Trenz Electronic GmbH	Page 17 of 30
Filename: B_PS_GT.SchDoc		


1

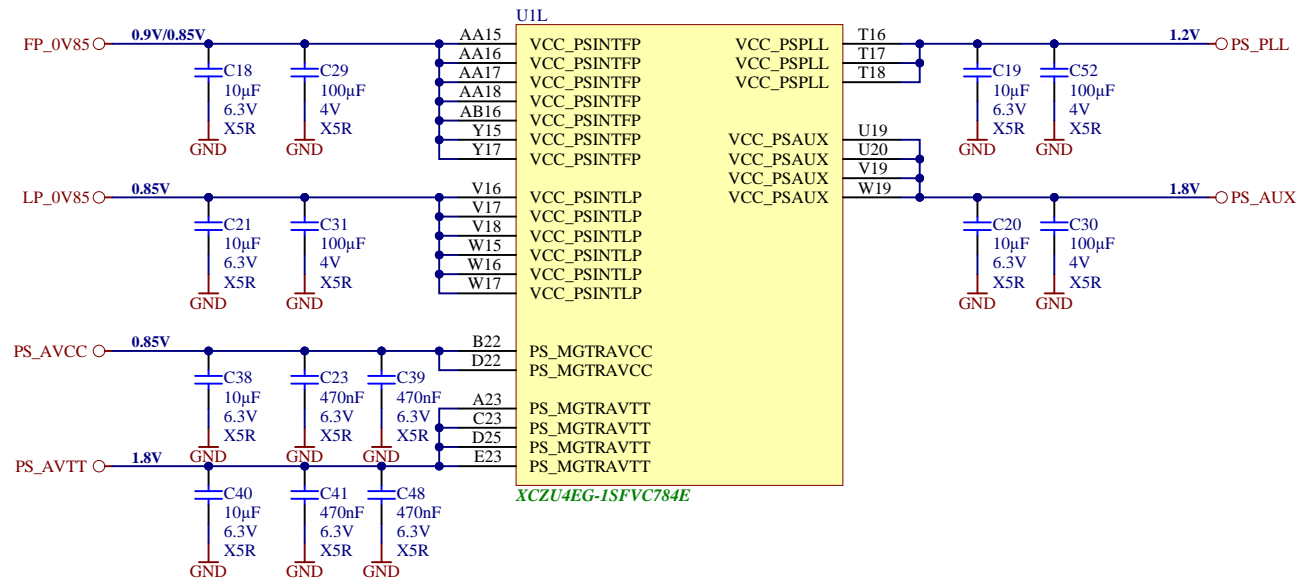
2

3

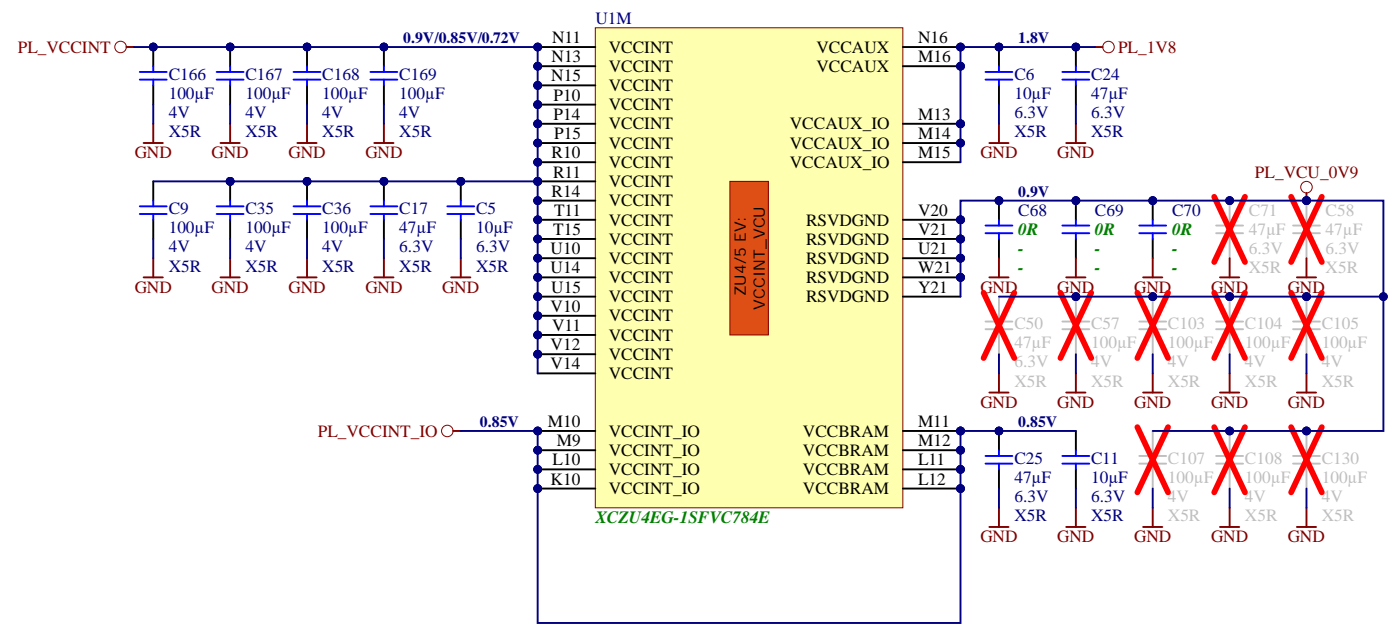
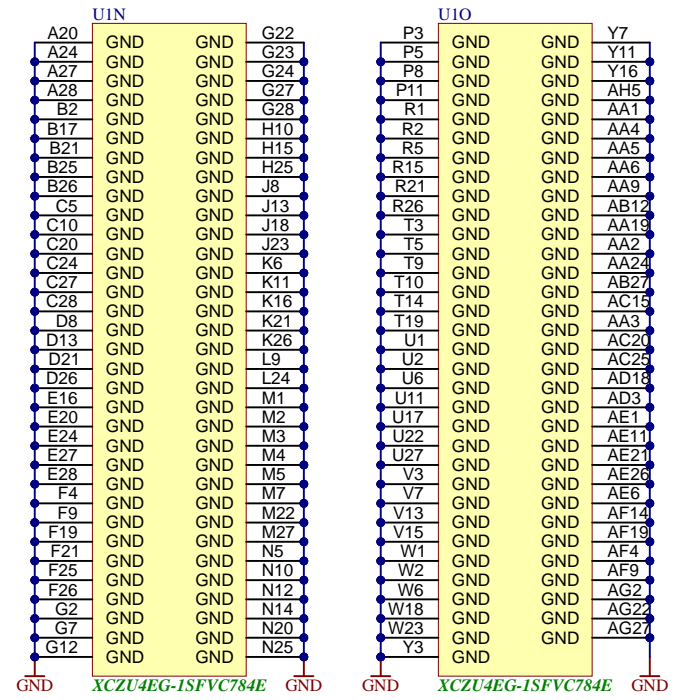
4



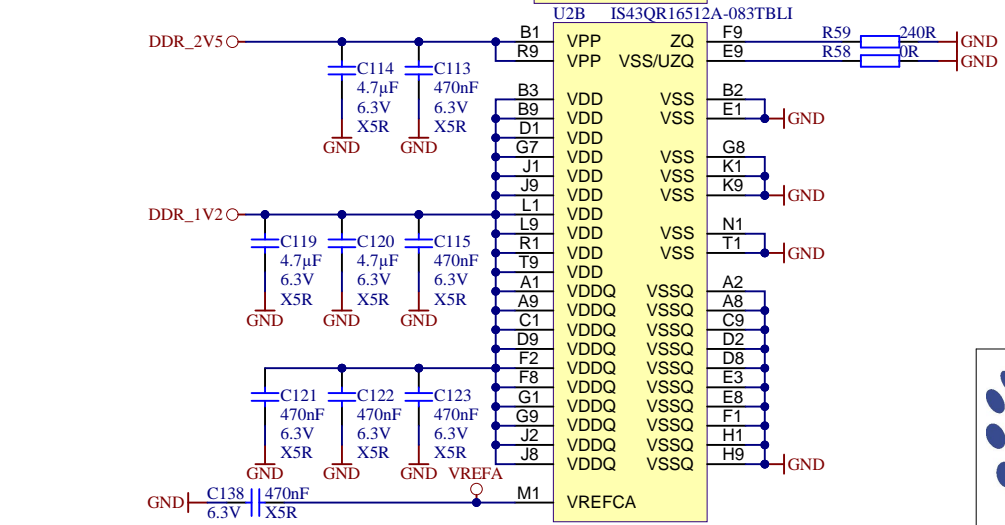
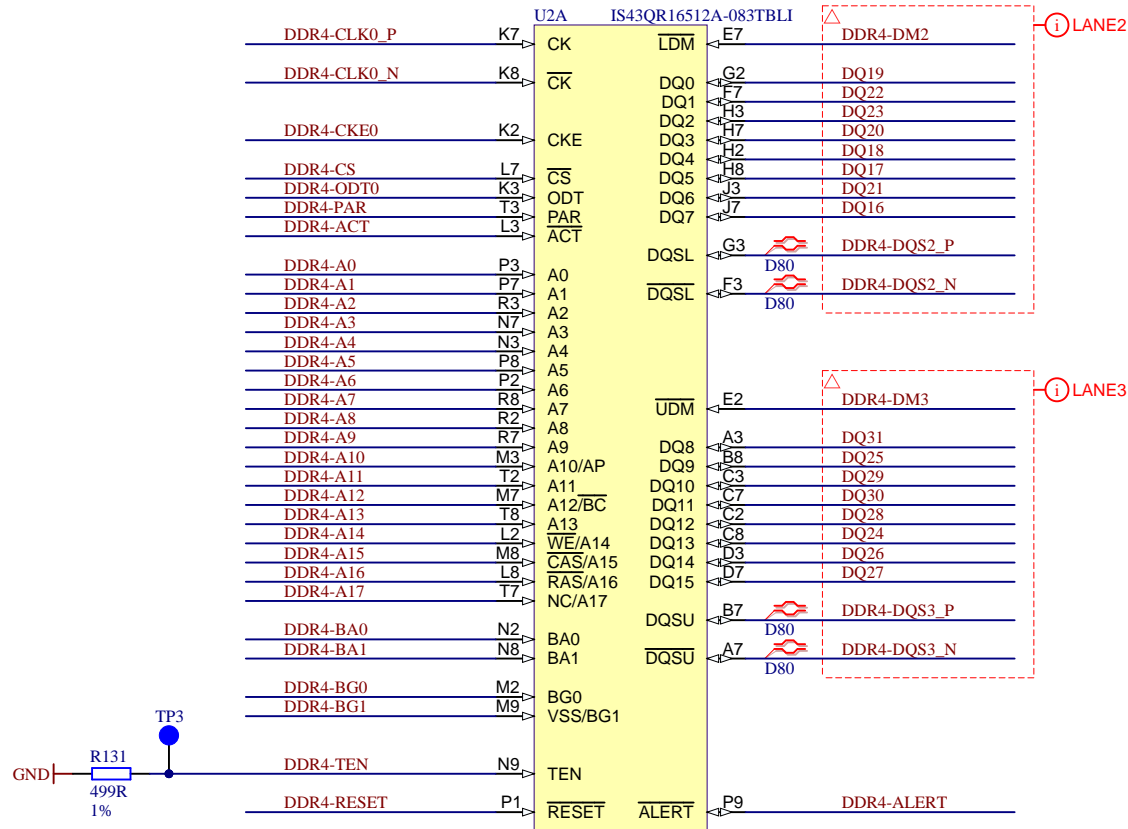
		Title: TE0813 - B224 - GTH	
		A4	Number: TE0813 4BE71-A
Date: 12.06.2023		Copyright: Trenz Electronic GmbH	
Date: 12.06.2023		Page 18 of 30	
Filename: B_GT.SchDoc			



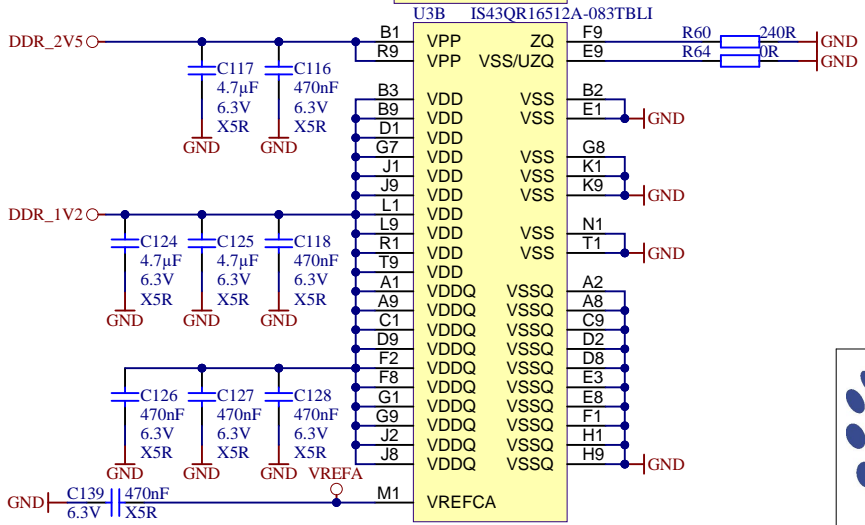
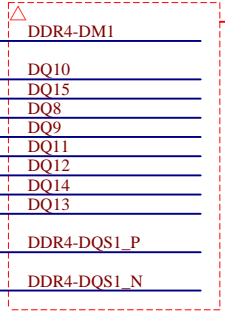
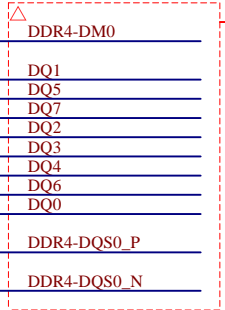
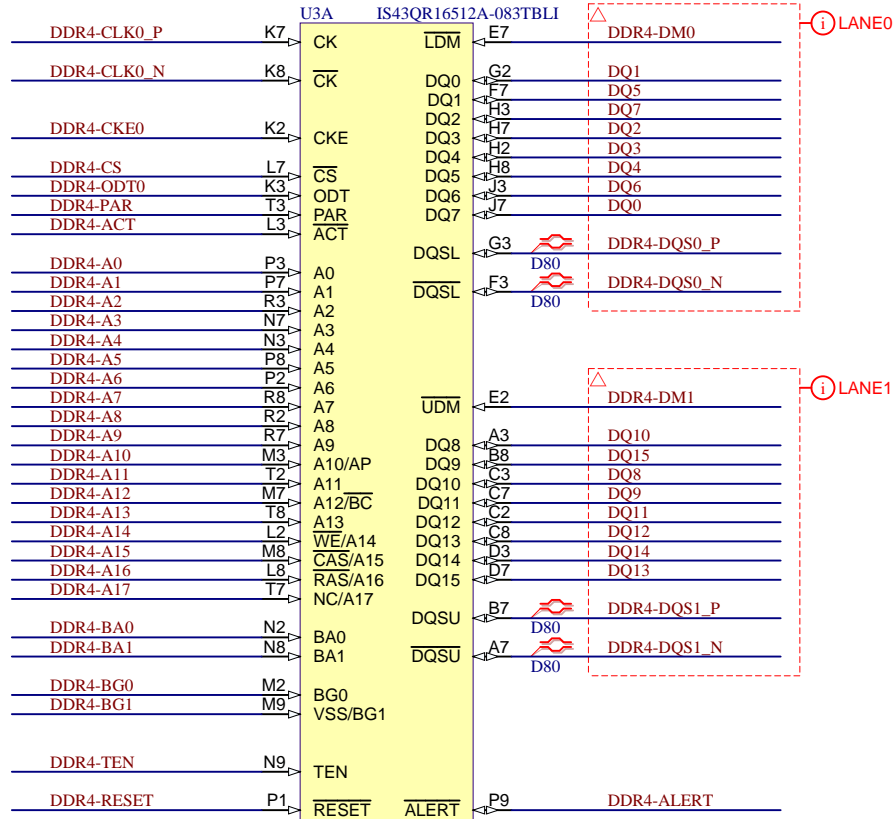
Title: TE0813 - ZU_PS_POWER		
A4	Number: TE0813 4BE71-A	Rev. 02
Date: 13.06.2023	Copyright: Trenz Electronic GmbH	Page 19 of 30
Filename: ZU_PS_POWER.SchDoc		



	Title: TE0813 - ZU_POWER	
	A4	Number: TE0813 4BE71-A
	Date: 12.06.2023	Copyright: Trenz Electronic GmbH
	Filename: ZU_POWER.SchDoc	
	Rev. 02	Page 20 of 30



Title: TE0813 - DDR4_1_RAM		
A4	Number: TE0813 4BE71-A	Rev. 02
Date: 12.06.2023	Copyright: Trenz Electronic GmbH	Page 21 of 30
Filename: DDR4-RAM.SchDoc		



Title: TE0813 - DDR4_2_RAM		
A4	Number: TE0813 4BE71-A	Rev. 02
Date: 12.06.2023	Copyright: Trenz Electronic GmbH	Page 22 of 30
Filename: DDR4-RAM_2.SchDoc		

A

A

B

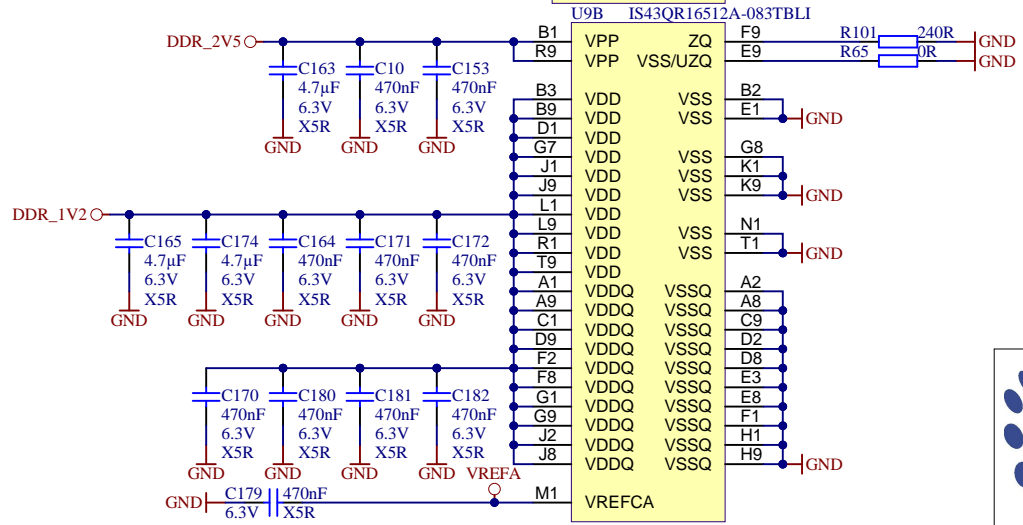
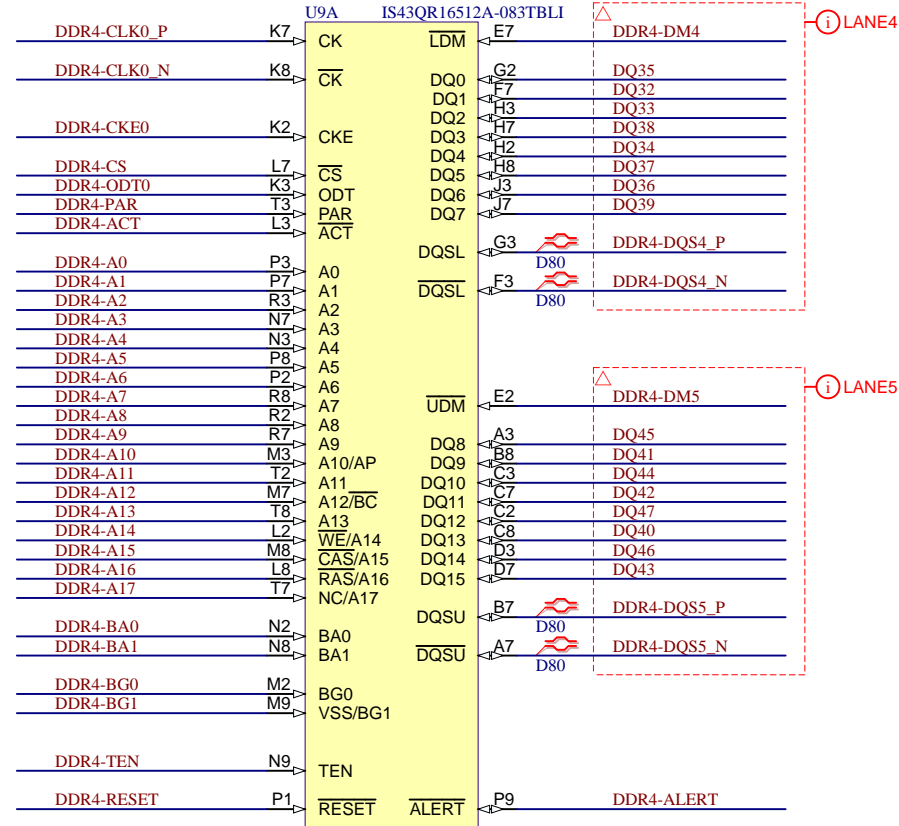
B

C

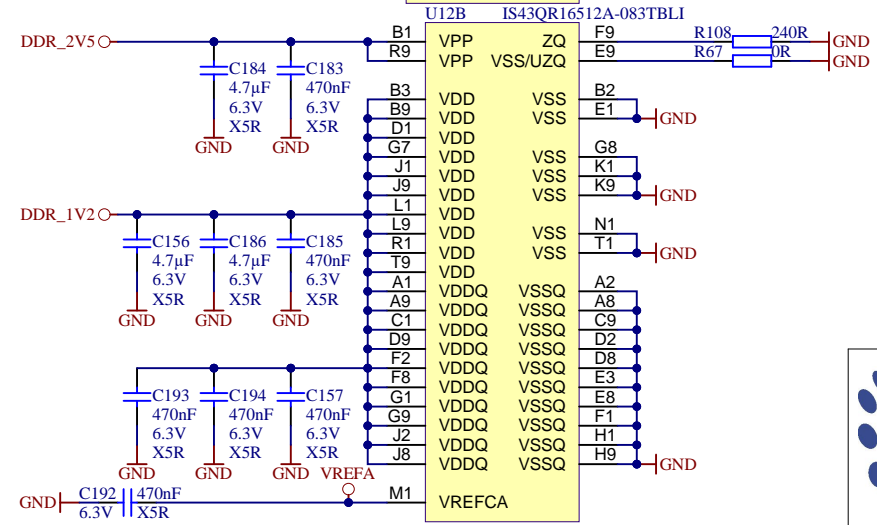
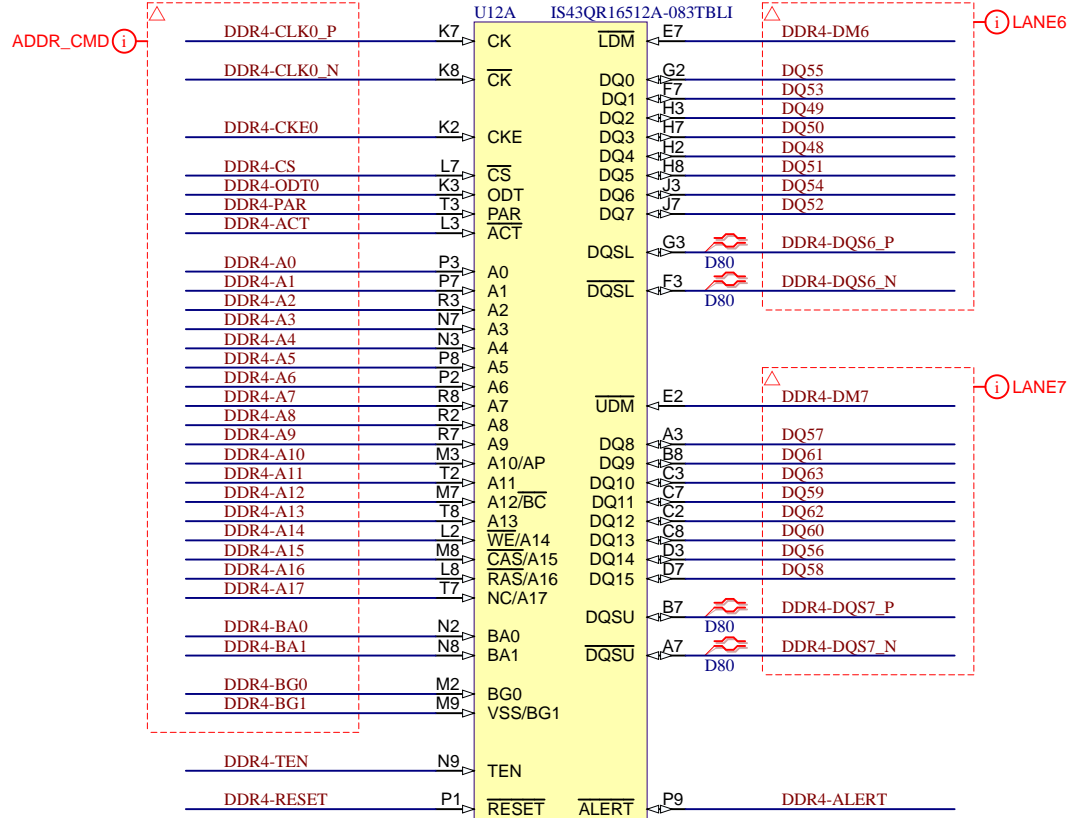
C

D

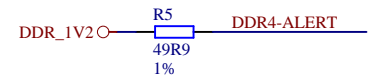
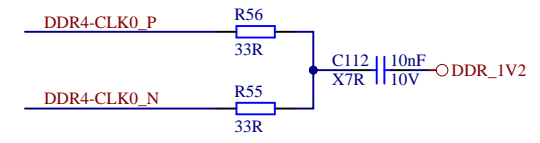
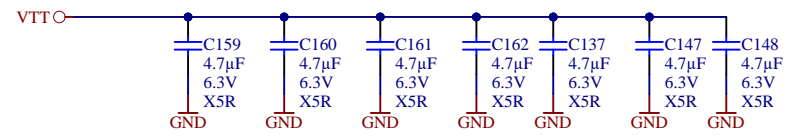
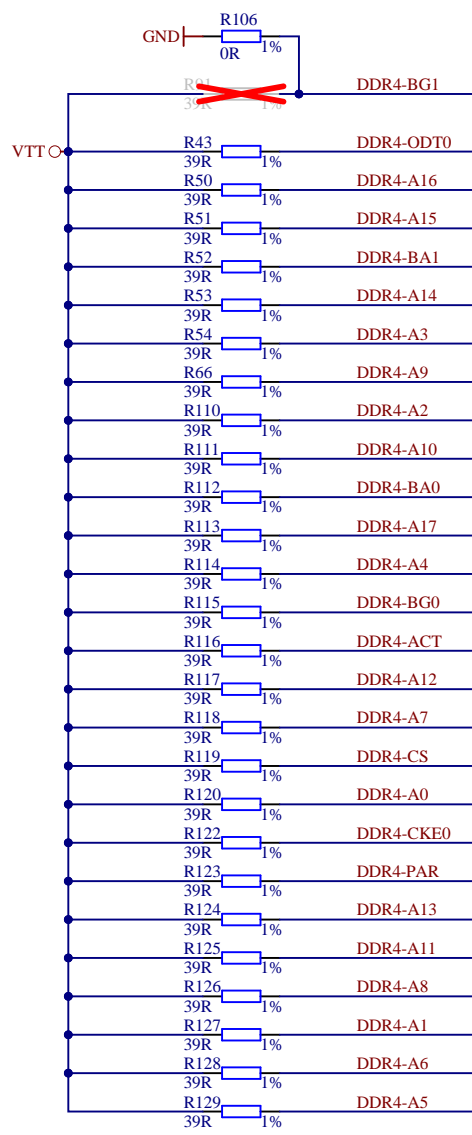
D



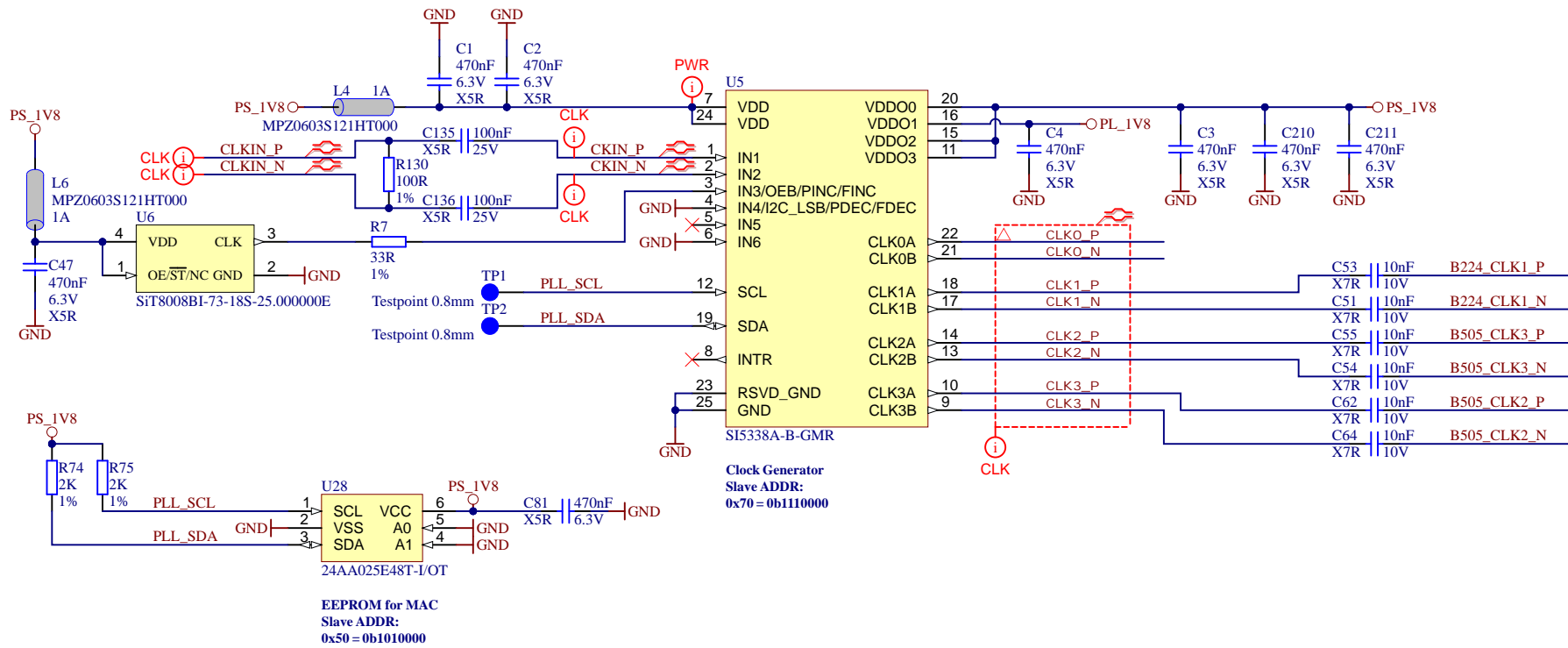
Title: TE0813 - DDR4_3_RAM		
A4	Number: TE0813 4BE71-A	Rev. 02
Date: 12.06.2023	Copyright: Trenz Electronic GmbH	Page 23 of 30
Filename: DDR4-RAM_3.SchDoc		



Title: TE0813 - DDR4_4_RAM		
A4	Number: TE0813 4BE71-A	Rev. 02
Date: 12.06.2023	Copyright: Trenz Electronic GmbH	Page 24 of 30
Filename: DDR4-RAM_4.SchDoc		



Title: TE0813 - DDR4_TERM		
A4	Number: TE0813 4BE71-A	Rev. 02
Date: 12.06.2023	Copyright: Trenz Electronic GmbH	Page 25 of 30
Filename: DDR4-TERM.SchDoc		

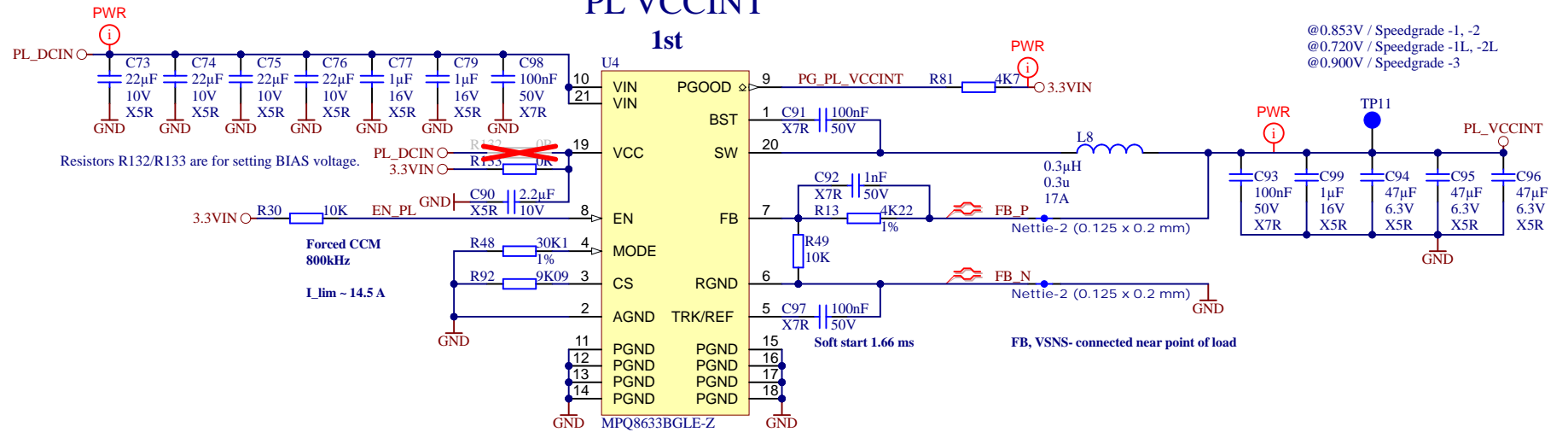


	Title: TE0813 - CLOCK		
	A4	Number: TE0813 4BE71-A	Rev. 02
	Date: 12.06.2023	Copyright: Trenz Electronic GmbH	
	Page 26 of 30		
Filename: Clock.SchDoc			

U4 can be TPS548A28RWWR or MPQ8633BGLE-Z which is up to Trenz Electronic GmbH.

PL VCCINT

1st



@0.853V / Speedgrade -1, -2
 @0.720V / Speedgrade -1L, -2L
 @0.900V / Speedgrade -3

Resistors R132/R133 are for setting BIAS voltage.

Forced CCM
800kHz

$I_{lim} \sim 14.5\text{ A}$

Soft start 1.66 ms

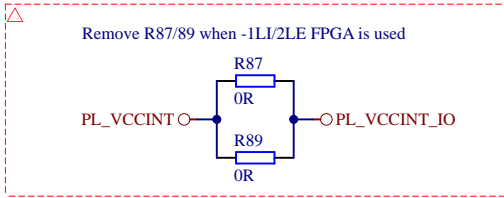
FB, VSNS- connected near point of load

FPGA Speedgrade	R13	R49	PL_VCCINT
-1LI	2 kOhm	10 kOhm	0.720 V
-2LE	2 kOhm	10 kOhm	0.720 V
-1	4.22 kOhm	10 kOhm	0.853 V
-2	4.22 kOhm	10 kOhm	0.853 V
-3E	10 kOhm	20 kOhm	0.900 V

U4 pin compatible with
 -- TPS548B28 (20A)
 -- TPS548A28 (15A)
 -- TPS54JA20 (12A)

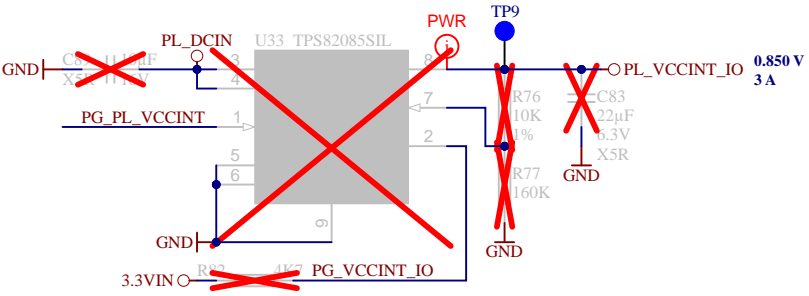


Title: TE0813 - POWER_1		
A4	Number: TE0813 4BE71-A	Rev. 02
Date: 14.06.2023	Copyright: Trenz Electronic GmbH	Page 27 of 30
Filename: POWER.SchDoc		

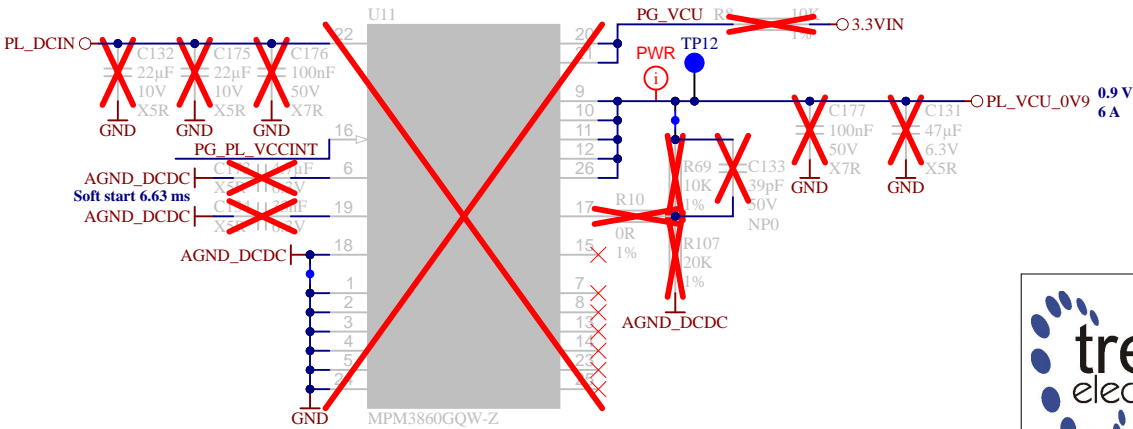


VCCINT_IO & VCCBRAM

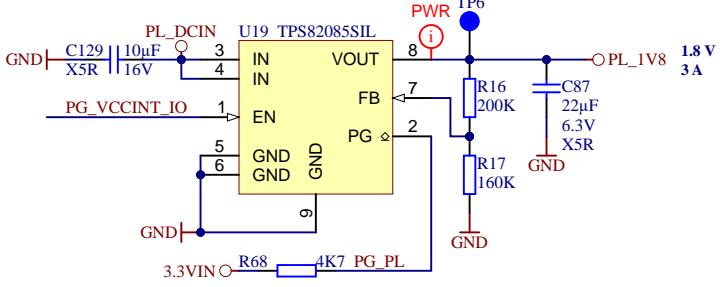
Add U33 when -1L1/2LE FPGA is used



VCU

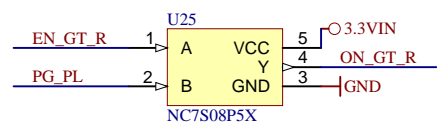
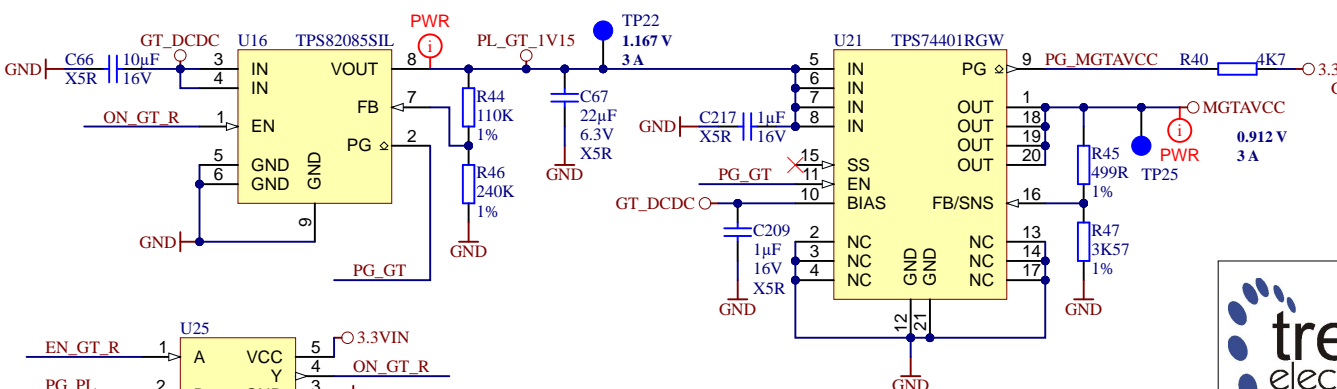
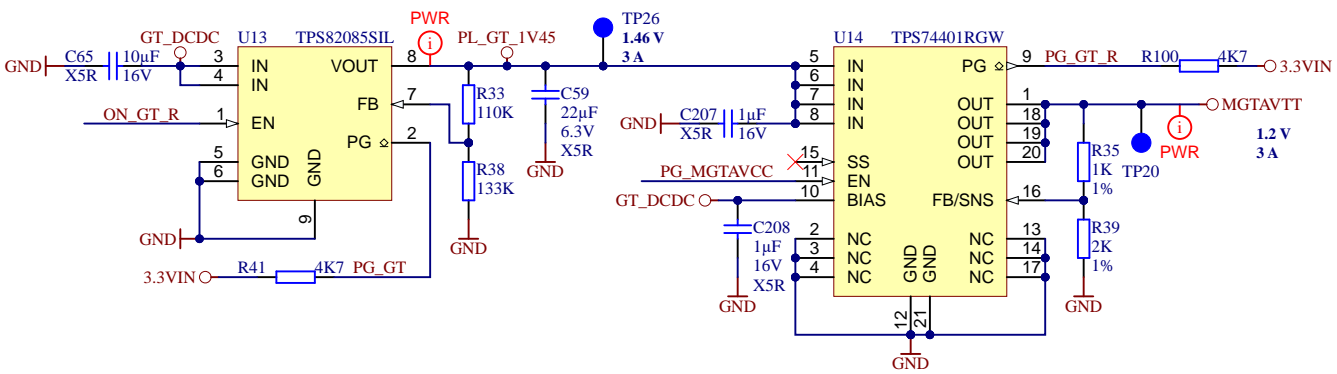
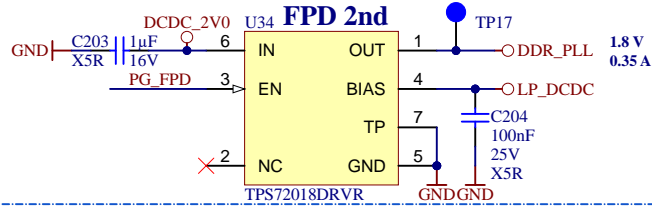
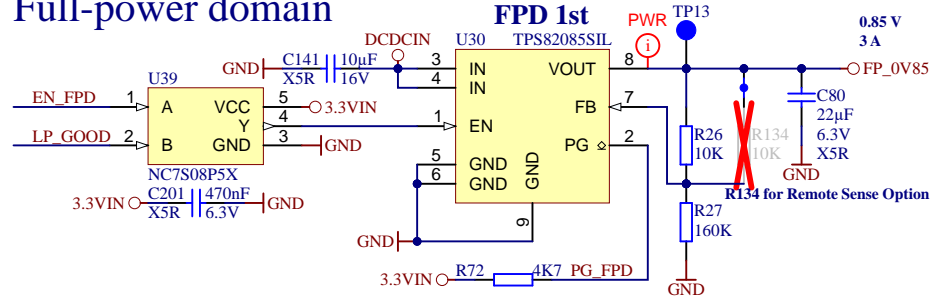


PL VCCIO

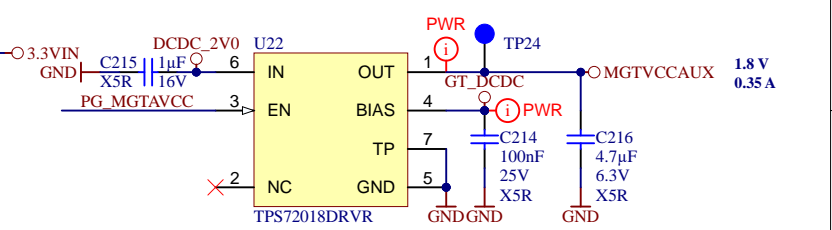
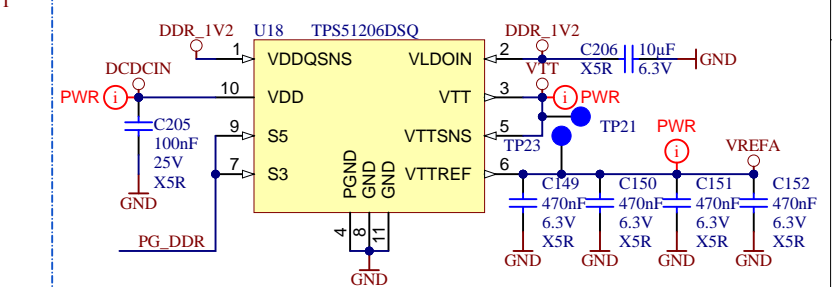
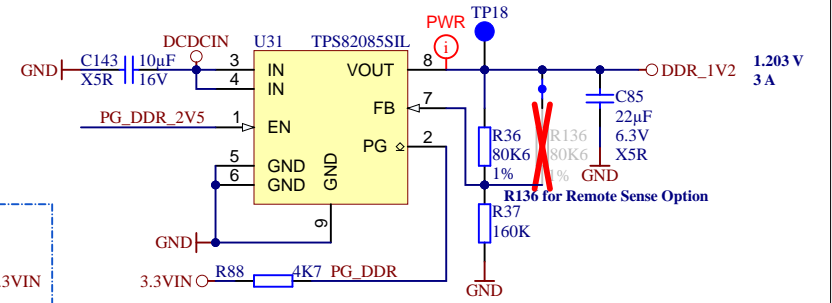
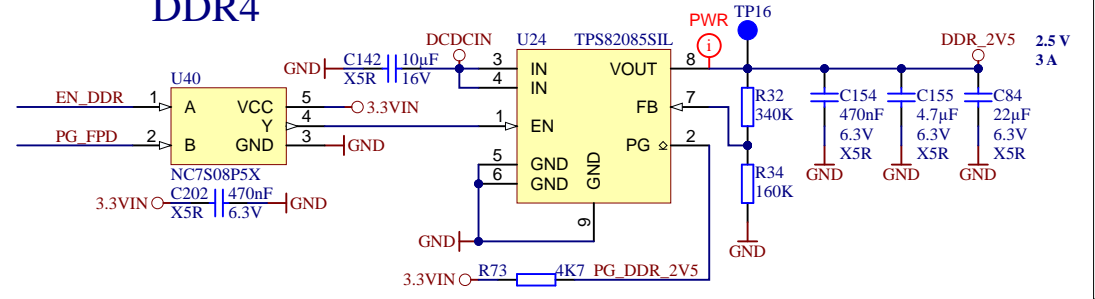


Title: TE0813 - POWER_2		
A4	Number: TE0813 4BE71-A	Rev. 02
Date: 14.06.2023	Copyright: Trenz Electronic GmbH	Page 28 of 30
Filename: POWER_1.SchDoc		

Full-power domain



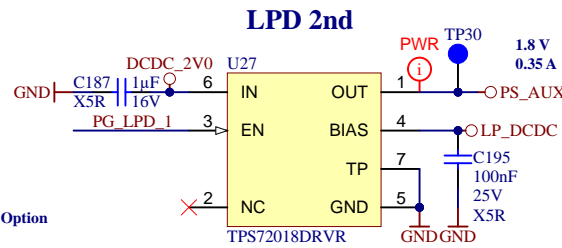
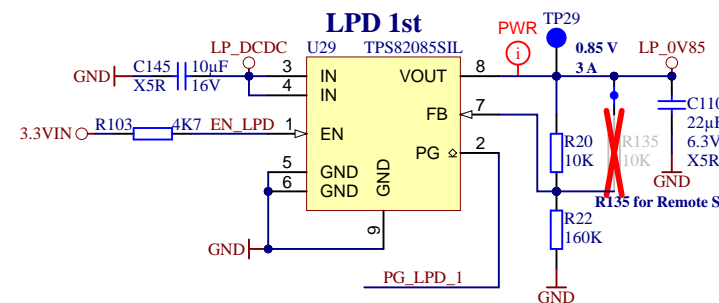
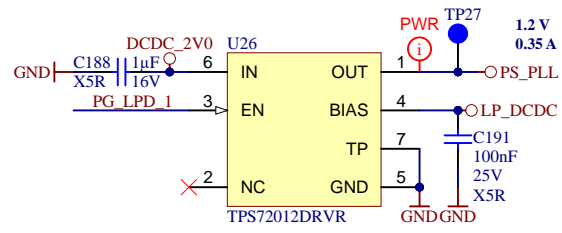
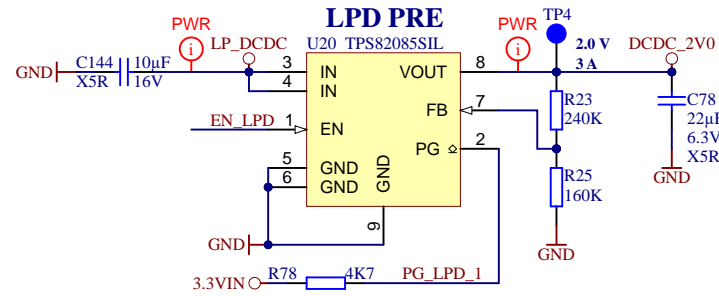
DDR4



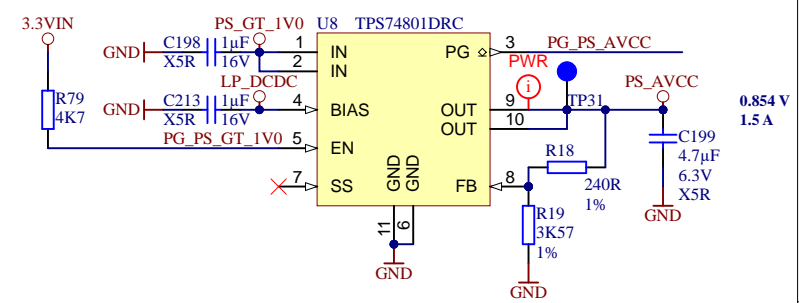
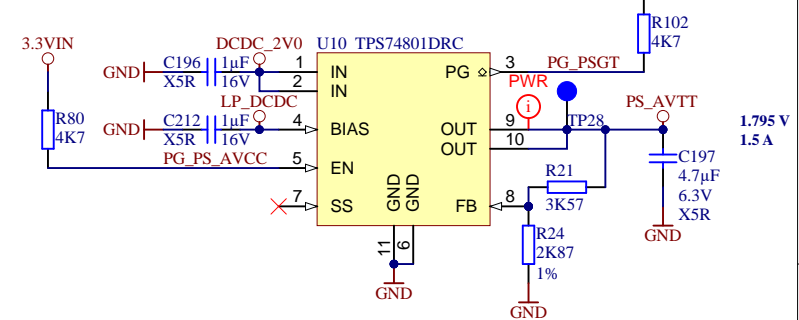
PL MGT

Title: TE0813 - POWER_3		
A4	Number: TE0813 4BE71-A	Rev. 02
Date: 14.06.2023	Copyright: Trenz Electronic GmbH	Page 29 of 30
Filename: POWER_2.SchDoc		

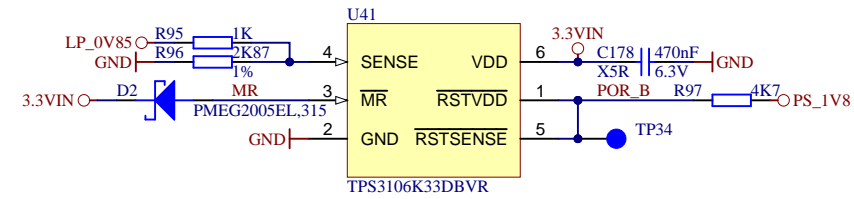
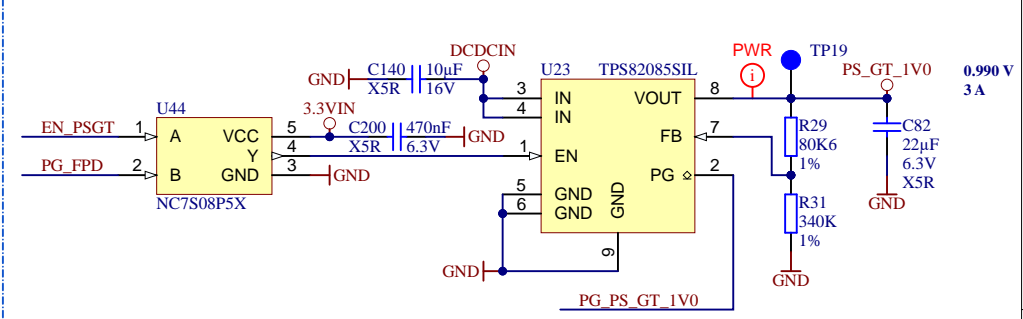
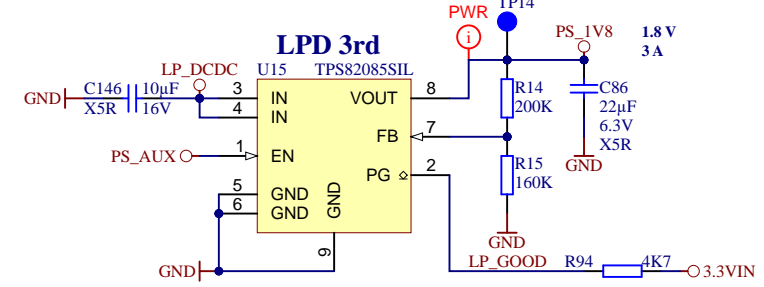
Low-power domain



PS MGT



PS MIO VCCIO



Net Name	Voltage Rail	Low Detect
LP_OV85	0.85 V	0.743 V
3.3VIN	3.3 V	2.941 V



Title: TE0813 - POWER_4		
A4	Number: TE0813 4BE71-A	Rev. 02
Date: 14.06.2023	Copyright: Trenz Electronic GmbH	Page 30 of 30
Filename: POWER_3.SchDoc		