

Regarding the usage of our schematics and alike documentation for Trenz module TE0813.

Project is protected under copyright and we strongly and strictly prohibit the reverse engineering or recreation, even if the design is just adapted or modified.

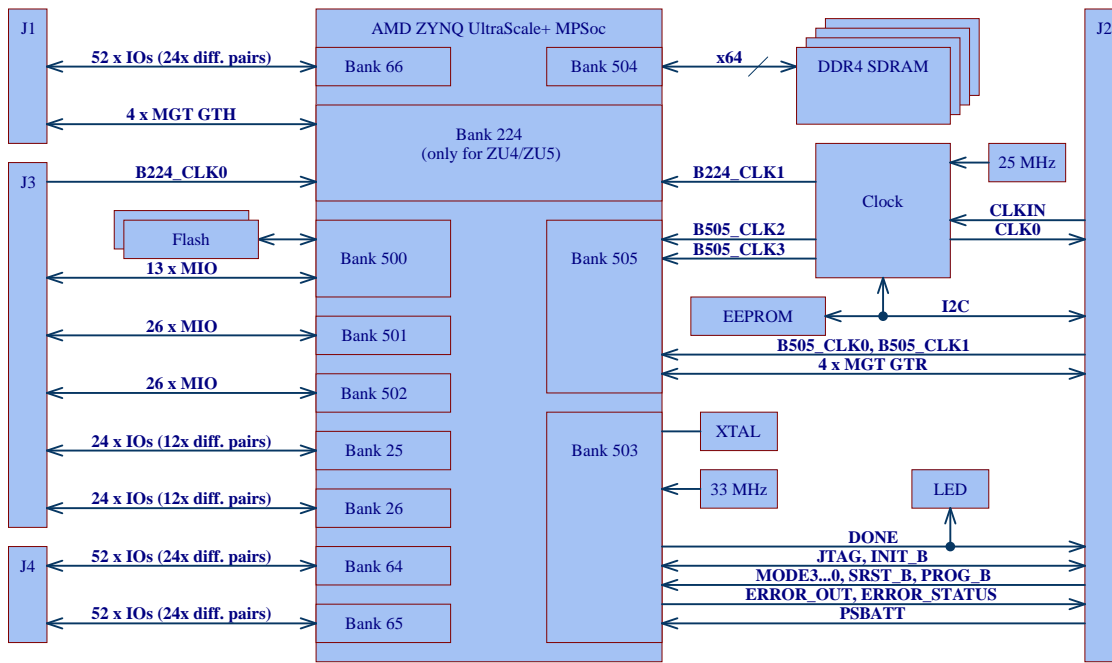
TE0813 is protected under such right and in case of plagiarism we will have to do anything necessary in order to protect our assets.

Schematics and other handouts serve for informational purposes only!

Drawn by	ED
Checked by	MR
Assembly variant	4DE81-A
Created by	ED
Modified by	ED
Modified at	2023-05-17



Title: TE0813 - Legal Notices		
A4	Number: TE0813 4DE81-A	Rev. 02
Date: 14.06.2023	Copyright: Trenz Electronic GmbH	Page 1 of 30
Filename: Legal Notices Modules.SchDoc		

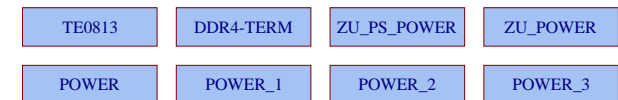


### Supported Voltage Ranges:

Power Rail	Direction	Range	Tolerance	Description	Note
3.3VIN	IN	3.3V	+/- 5 %	Micromodule Power	Management voltage rail, supplied by power rail
PL_DCIN	IN	3.3V	+/- 5 %	Micromodule Power	Programmable Logic, supplied by power rail
LP_DCDC	IN	3.3V	+/- 3 %	Micromodule Power	Low-Power Domain, supplied by power rail
GT_DCDC	IN	3.3V	+/- 3 %	Micromodule Power	GTH Transceiver, supplied by power rail
DCDCIN	IN	3.3V	+/- 5 %	Micromodule Power	Full-Power Domain and GTR, supplied by power rail
VCCO_64	IN	1.0 V - 1.8 V	+/- 3 %	HP IO Bank 64	Supplied by external power rail via B2B connector
VCCO_65	IN	1.0 V - 1.8 V	+/- 3 %	HP IO Bank 65	Supplied by external power rail via B2B connector
VCCO_66	IN	1.0 V - 1.8 V	+/- 3 %	HP IO Bank 66	Supplied by external power rail via B2B connector
VCCO_25	IN	1.2 V - 3.3 V	+/- 3 %	HD IO Bank 25	Supplied by external power rail via B2B connector
VCCO_26	IN	1.2 V - 3.3 V	+/- 3 %	HD IO Bank 26	Supplied by external power rail via B2B connector
PSBATT	IN	1.2 V - 1.5 V	-	RTC / BBRAM	Supplied by external power rail via B2B connector
PL_1V8	OUT	1.8 V	+/- 3 %	Power for Carrier	Micromodule: Programmable Logic
PS_1V8	OUT	1.8 V	+/- 3 %	Power for Carrier	Micromodule: Processing System
DDR_1V2	OUT	1.2 V	+/- 3 %	Power for Carrier	Micromodule: PS DDR I/O Supply


### I2C Address:

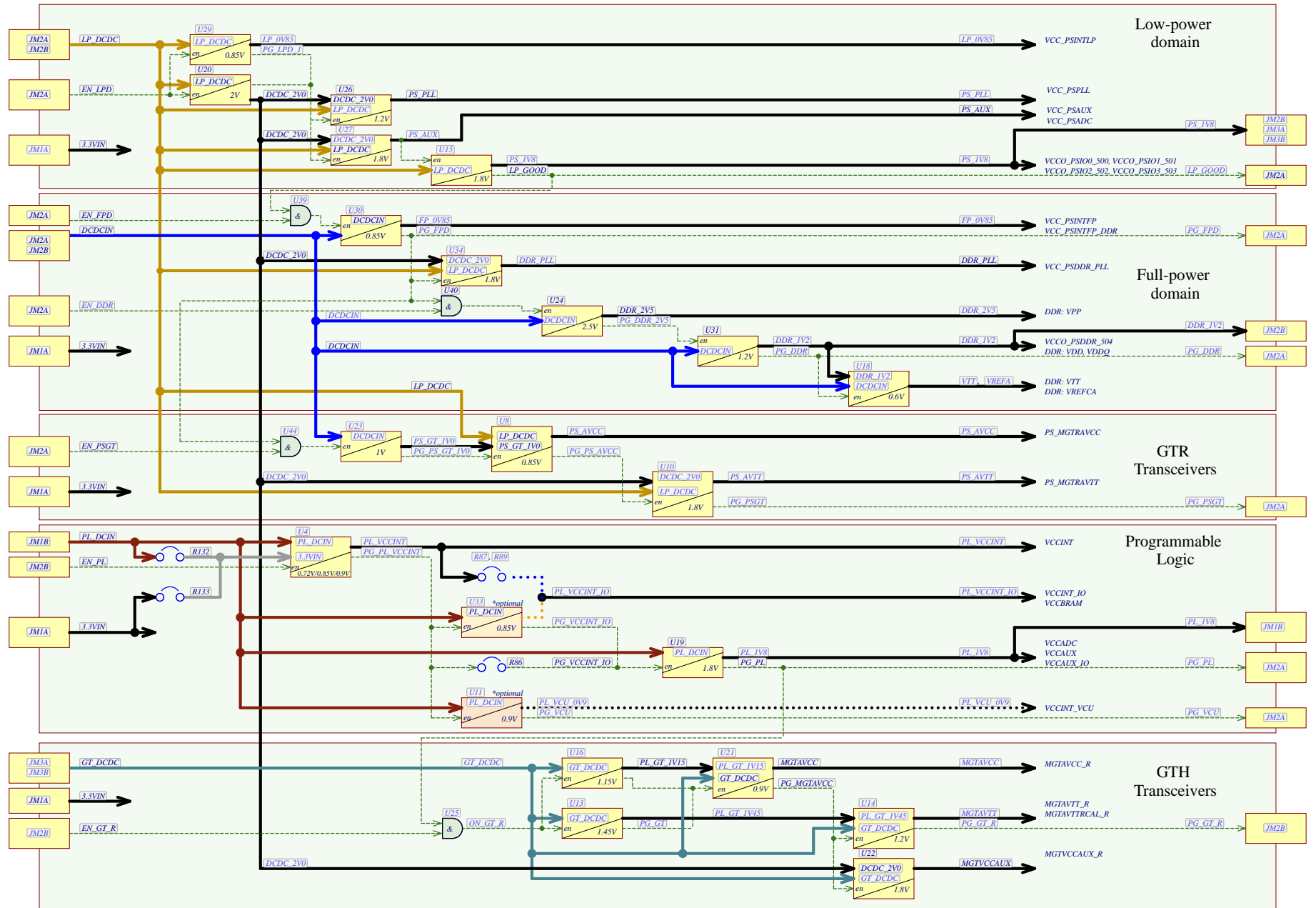
Device	I2C ADDR	Note
PLL <a href="#">U5</a>	0x70	-
EEPROM <a href="#">U28</a>	0x50	-



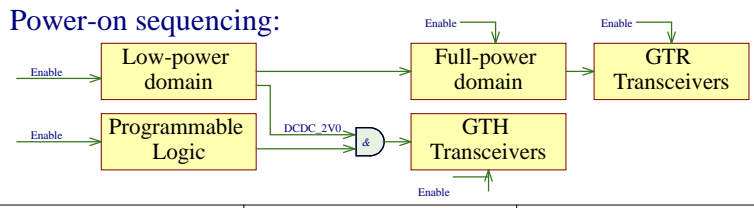
Title: <b>TE0813 - System Overview</b>		
A4	Number: <b>TE0813 4DE81-A</b>	Rev. <b>02</b>
Date: <b>14.06.2023</b>	Copyright: <b>Trenz Electronic GmbH</b>	Page <b>2</b> of <b>30</b>
Filename: <b>TE0813-Overview.SchDoc</b>		

REV	DATE	Description	
-01	2021-05	Initial revision	VT
	2022-03	Added Table with Supported Voltage Ranges	
	2022-05	Changed DCDC U4 TPS548A28 to MPQ8633BGLE-Z Changed C92 100nF to 1nF	
	2022-11	Added additional Info about Voltage Range	
-02	2023-07	<p>1. Change DCDC U11 from EN6347QI to MPM3860GQW-Z and adapted according circuits.</p> <p>2. Connected DDR4-TEN signals together for U2, U3, U9, and U12 and pulled them low via 499 Ohm resistor R131. Added a testpoint TP3 for DDR4-TEN.</p> <p>3. Changed voltage rail from 1.35 V to 1.45 V via adapting voltage divider resistors R33 and R38 and changed according voltage rail name PL_GT_1V35 to PL_GT_1V45.</p> <p>4. Changed voltage rail from 1.05 V to 1.15 V via adaption voltage divider resistors R44 and R46 and changed according rail name PL_GT_1V05 to PL_GT_1V15.</p> <p>5. Added diode D2 between U41 pin 3 net MR and voltage rail 3.3VIN.</p> <p>6. Connected enable signal for U11 and U33 from "3.3VIN" to "PG_PL_VCCINT".</p> <p>7. Added capacitors C137, C147, and C148 for VTT voltage rail.</p> <p>8. Added resistors R132 (default: not fitted) and R133 to supply U4 VCC either from "PL_DCCIN" or from "3.3VIN".</p> <p>9. Change resistor R92 from 4.22 kOhm to 9.09 kOhm to set current limit to nearly 14.5 A for U4.</p> <p>10. Added remote sense option:</p> <p>10.1 R134 for U30</p> <p>10.2 R135 for U29</p> <p>10.3 R136 for U31</p> <p>11. Added decoupling capacitors:</p> <p>11.1 C210 and C211 for U5.</p> <p>11.2 C190 for U7.</p> <p>11.3 C198, C199, and C213 for U8.</p> <p>11.4 C153, C170...172 for U9</p> <p>11.5 C196 C197, and C212 for U10.</p> <p>11.6 C156 and C157 for U12</p> <p>11.7 C207 and C208 for U14.</p> <p>11.8 C189 for U17.</p> <p>11.9 C149...152, C205, and C206 for U18</p> <p>11.10 C209 and C217 for U21.</p> <p>11.11 C214...216 for U22.</p> <p>11.12 C154 and C155 for U24</p> <p>11.13 C188 and C191 for U26.</p> <p>11.14 C187 and C195 for U27.</p> <p>11.15 C203 and C204 for U34.</p> <p>11.16 C201 for U39.</p> <p>11.17 C202 for U40.</p> <p>11.18 C178 for U41.</p> <p>11.19 C200 for U44.</p> <p>12. Added testpoints TP4, TP19, TP26.</p> <p>13. Added UKCA logo.</p> <p>14. Change 100 nF capacitors C135 and C136 from 6.3 V to 25 V for BOM optimization.</p>	ED

	Title: TE0813 - Revision History		
	A4	Number: TE0813 4DE81-A	Rev. 02
	Date: 12.06.2023	Copyright: Trenz Electronic GmbH	Page 3 of 30
	Filename: Revision Changes.SchDoc		



- Net name
- Power bus
- Control signal
- Power bus in FPGA speedgrade -1/-2/-3 assembly variants
- Power bus in FPGA speedgrade -1L/-2L assembly variants (low power)
- Optional power converter
- Logic AND gate



Title: TE0813 - Power Diagram		
A3	Number: TE0813 4DE81-A	Rev. 02
Datum: 2021-01-19	Copyright: Trenz Electronic GmbH	Page 4 of 30
Filename: Power_Diagram.SchDoc		

1

2

3

4

Special notes:

A

A

B

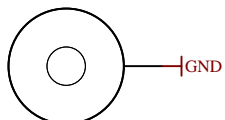
B

C

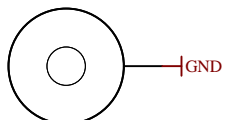
C

D

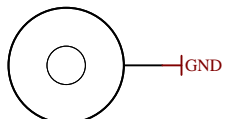
D



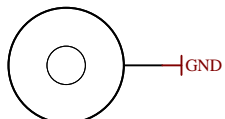
Mount.Hole 3.2mm für Unterlegscheibe



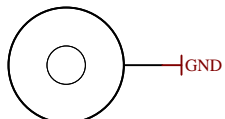
Mount.Hole 3.2mm für Unterlegscheibe



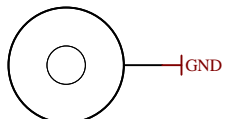
Mount.Hole 3.2mm für Unterlegscheibe



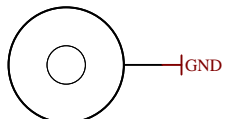
Mount.Hole 3.2mm für Unterlegscheibe



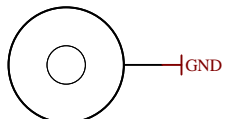
Mount.Hole 3.2mm für Unterlegscheibe



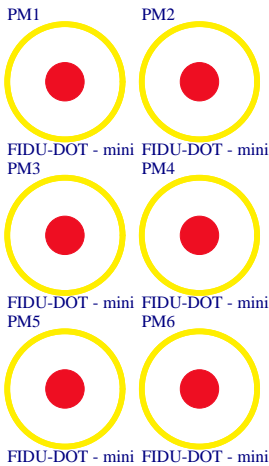
Mount.Hole 3.2mm für Unterlegscheibe



Mount.Hole 3.2mm für Unterlegscheibe



Mount.Hole 3.2mm für Unterlegscheibe



PM1 PM2  
FIDU-DOT - mini FIDU-DOT - mini  
PM3 PM4  
FIDU-DOT - mini FIDU-DOT - mini  
PM5 PM6  
FIDU-DOT - mini FIDU-DOT - mini

UKCA1

UKCA Logo on Top Overlay

UKCA-TOPOVERLAY

CE1

CE Logo on Top Overlay

CE-TOPOVERLAY

MECH1

TE Address Overlay

LOGO ADDRESS

LOGO1

TE Logo PRINT Layer

LOGO PRINT

Serial  
Serialnumber 6,3 x 6.3mm



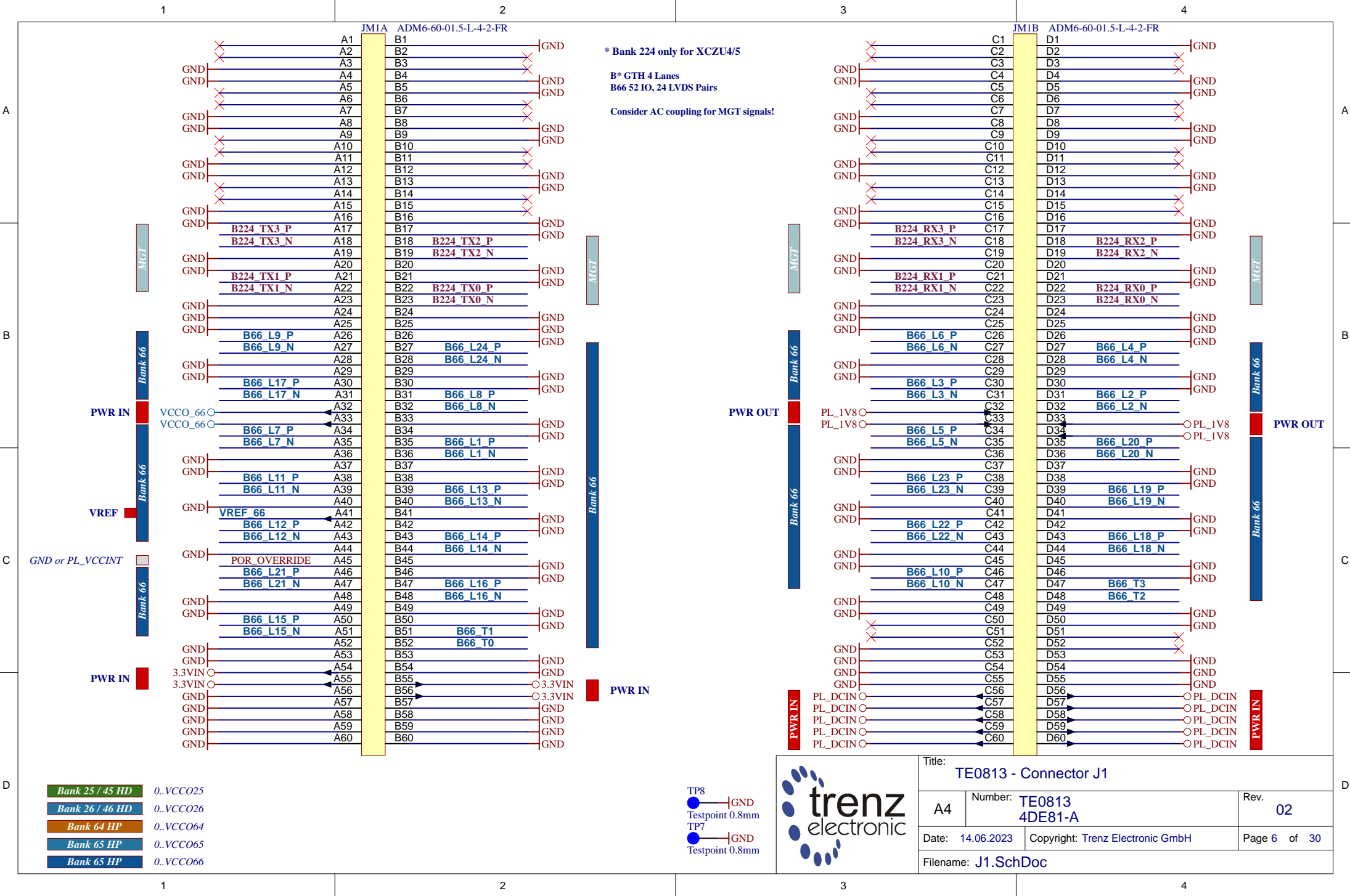
Title: <b>TE0813</b>		
A4	Number: <b>TE0813 4DE81-A</b>	Rev. <b>02</b>
Date: <b>13.06.2023</b>	Copyright: <b>Trenz Electronic GmbH</b>	Page <b>5</b> of <b>30</b>
Filename: <b>TE0813.SchDoc</b>		

1

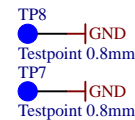
2

3

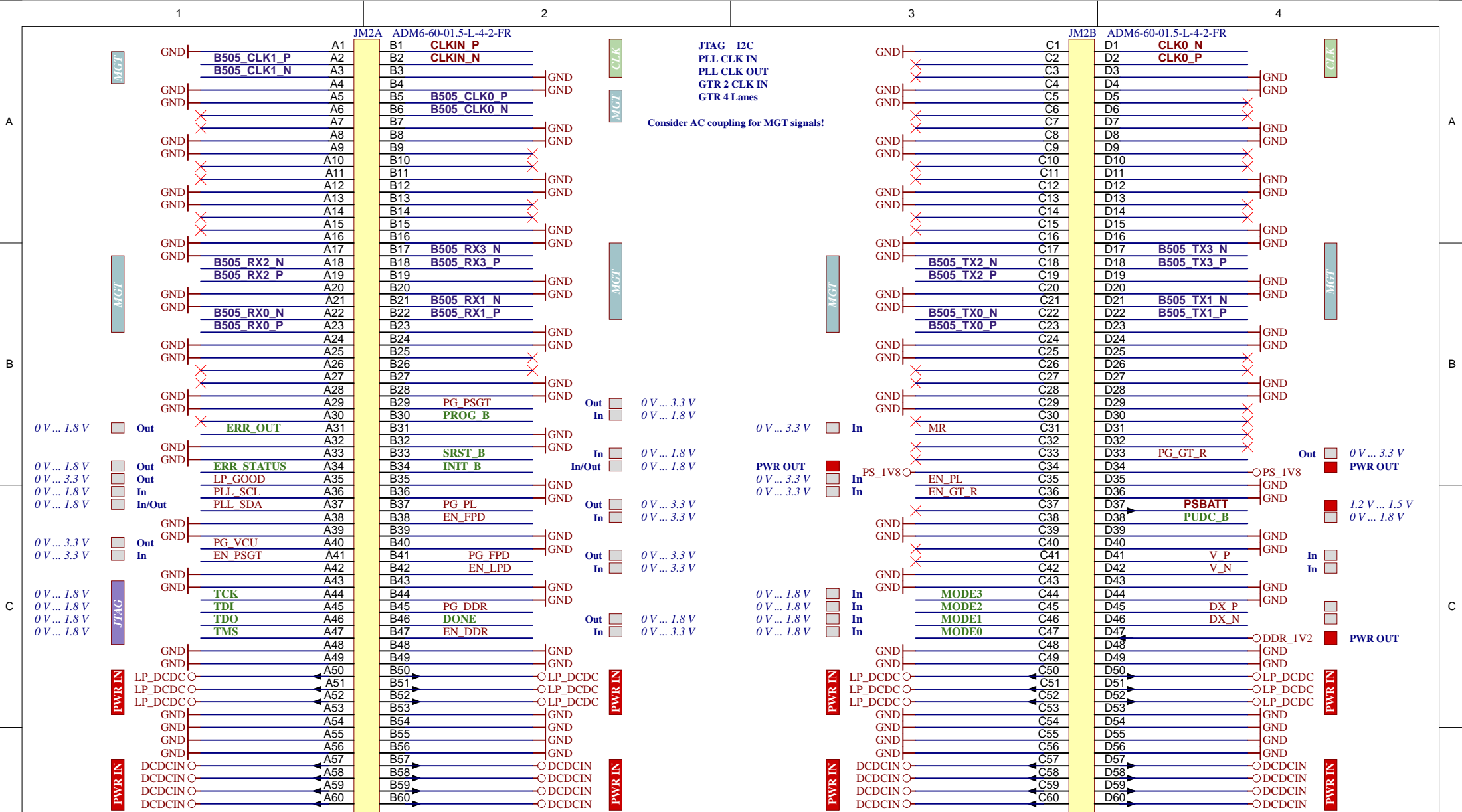
4



- Bank 25 / 45 HD ..VCCO25
- Bank 26 / 46 HD ..VCCO26
- Bank 64 HP ..VCCO64
- Bank 65 HP ..VCCO65
- Bank 65 HP ..VCCO66



Title: TE0813 - Connector J1		
A4	Number: TE0813 4DE81-A	Rev. 02
Date: 14.06.2023	Copyright: Trenz Electronic GmbH	Page 6 of 30
Filename: J1.SchDoc		



Title: TE0813 - Connector J2		
A4	Number: TE0813 4DE81-A	Rev. 02
Date: 14.06.2023	Copyright: Trenz Electronic GmbH	Page 7 of 30
Filename: J2.SchDoc		

D

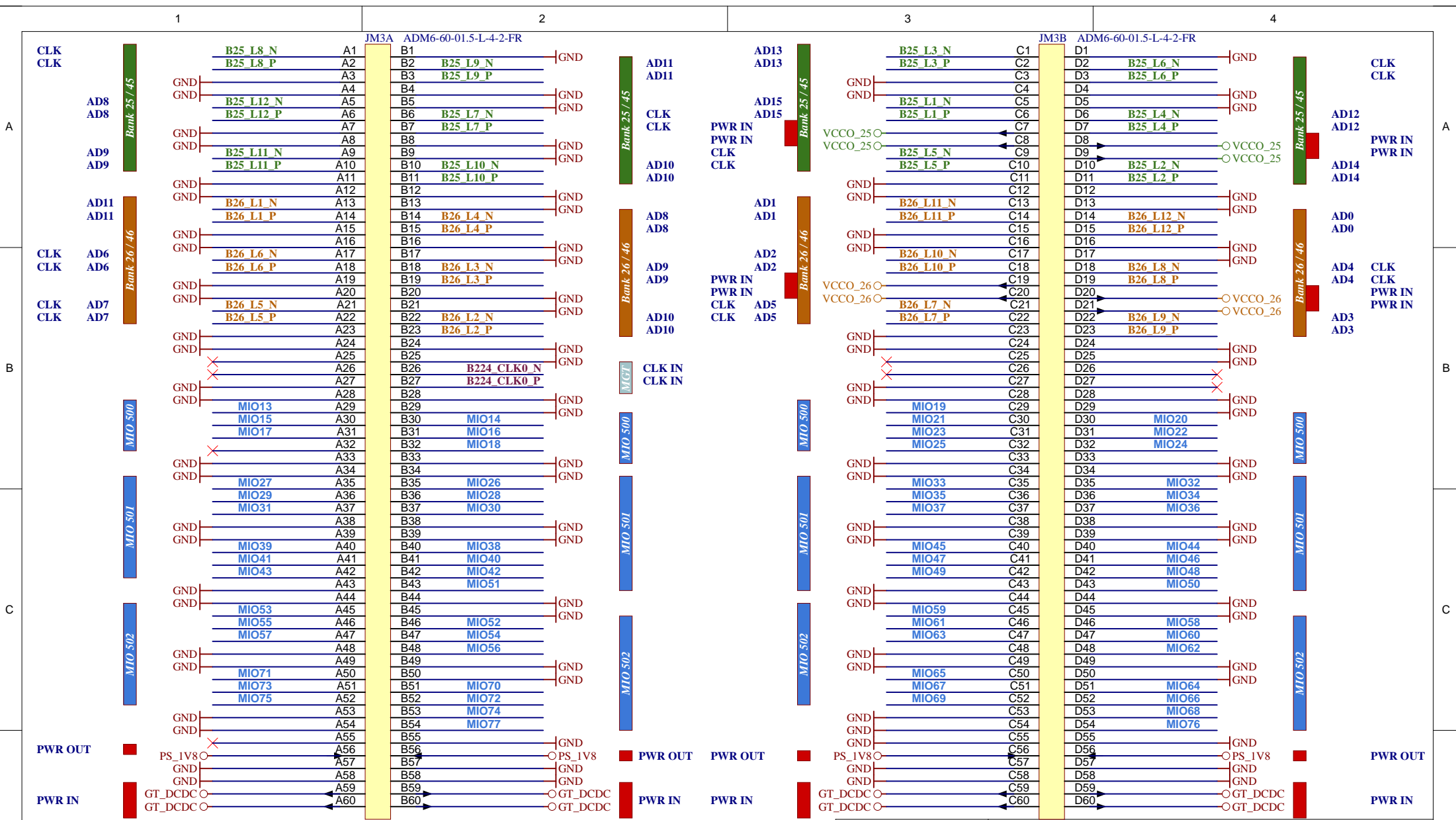
1

2

3

4

D

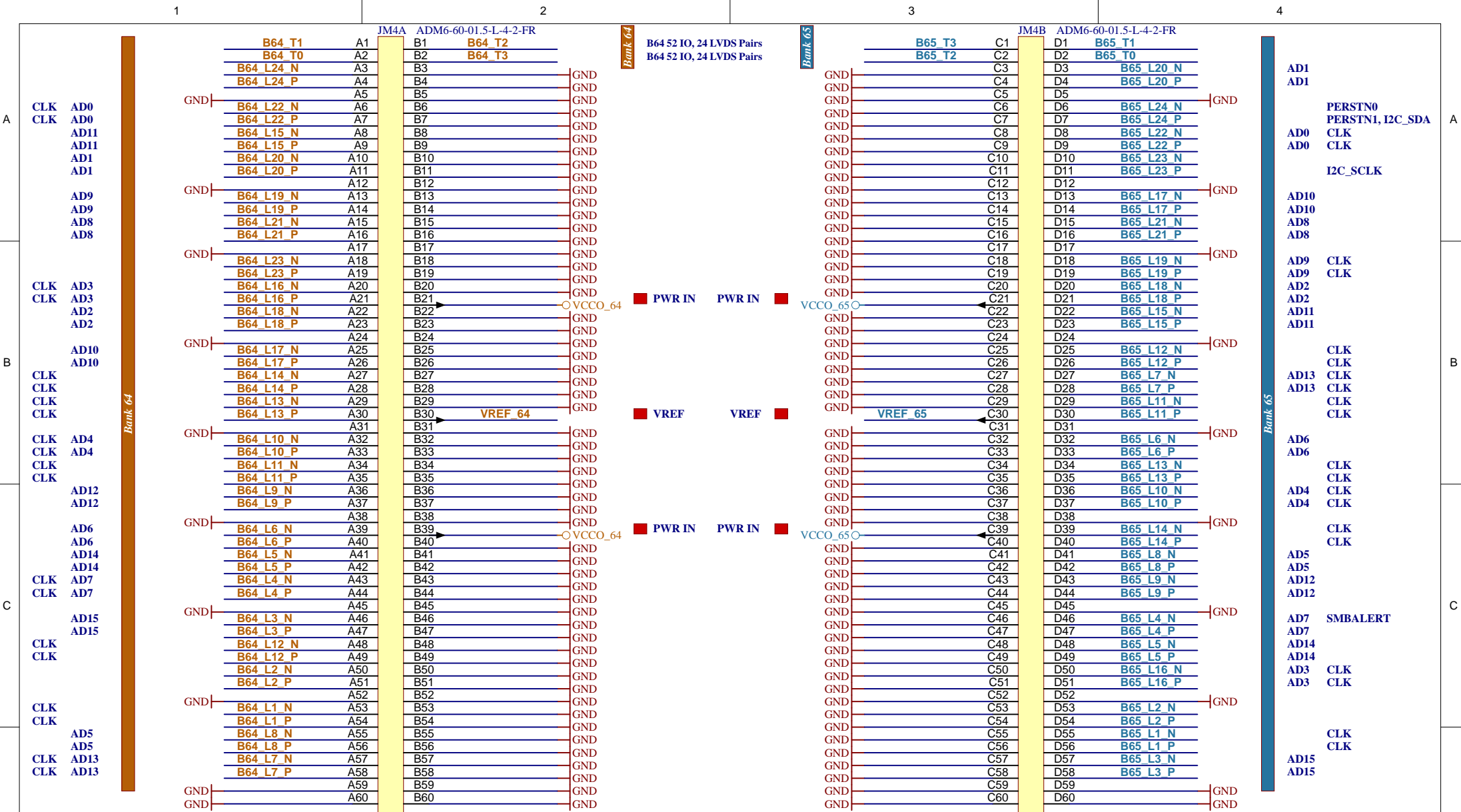


- Bank 25 / 45 HD** 0..VCC025
  - Bank 26 / 46 HD** 0..VCC026
  - Bank 64 HP** 0..VCC064
  - Bank 65 HP** 0..VCC065
  - Bank 65 HP** 0..VCC066
- \* Bank 25 for XCZU2/3
  - \* Bank 45 for XCZU4/5
  - \*\* Bank 26 for XCZU2/3
  - \*\* Bank 46 for XCZU4/5
  - \*\*\* Bank 224 only for XCZU4/5
- B\* 24 IO, 12 LVDS Pairs
  - B\*\* 24 IO, 12 LVDS Pairs
  - B\*\*\* GTH 1 CLK IN
  - 65 MIO



Title: TE0813 - Connector J3		
A4	Number: TE0813 4DE81-A	Rev. 02
Date: 14.06.2023	Copyright: Trenz Electronic GmbH	Page 8 of 30
Filename: J3.SchDoc		





- Bank 25 / 45 HD ..VCCO25
- Bank 26 / 46 HD ..VCCO26
- Bank 64 HP ..VCCO64
- Bank 65 HP ..VCCO65
- Bank 65 HP ..VCCO66



Title: TE0813 - Connector J4		
A4	Number: TE0813 4DE81-A	Rev. 02
Date: 14.06.2023	Copyright: Trenz Electronic GmbH	Page 9 of 30
Filename: J4.SchDoc		

D

D

A

A

B

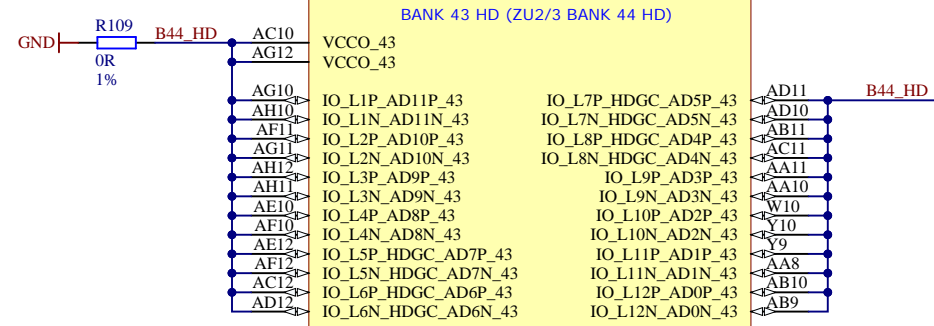
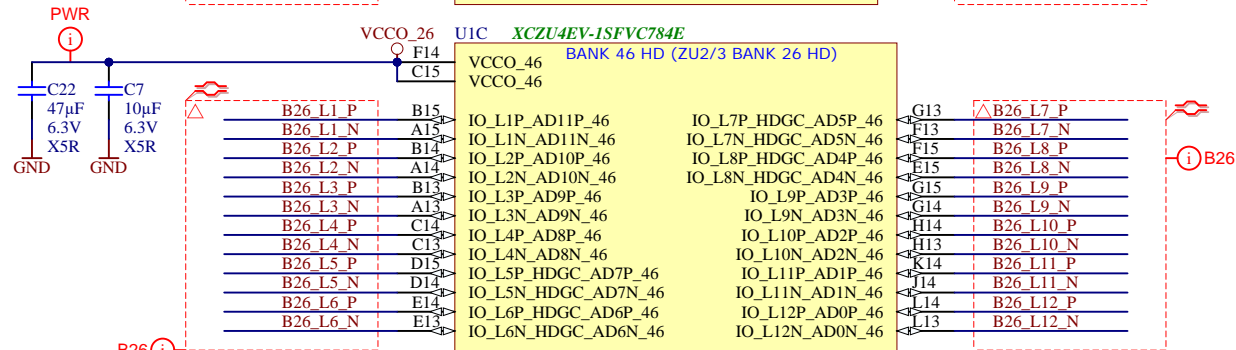
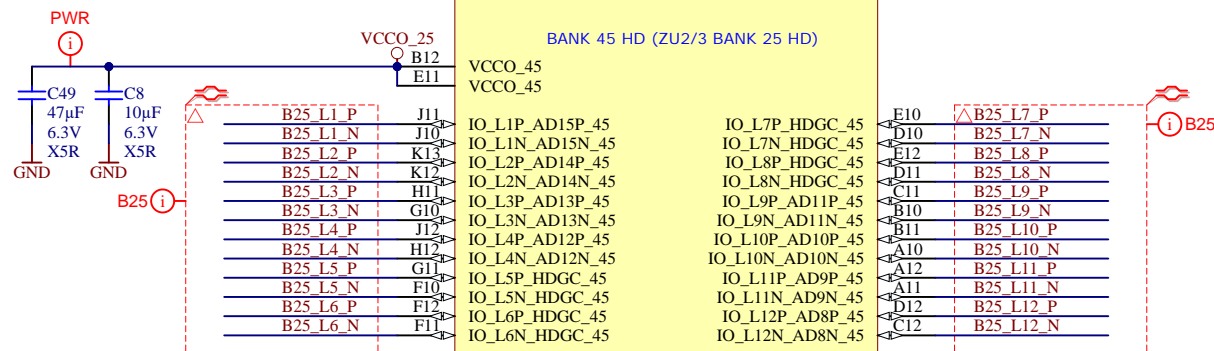
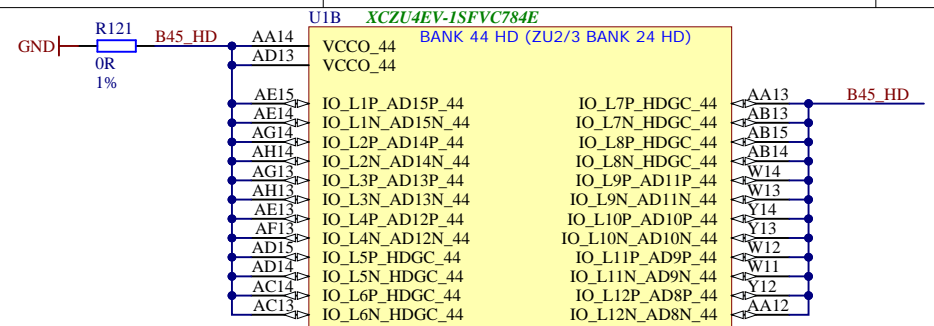
B

C

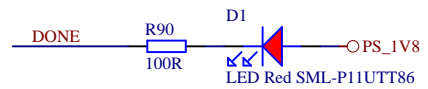
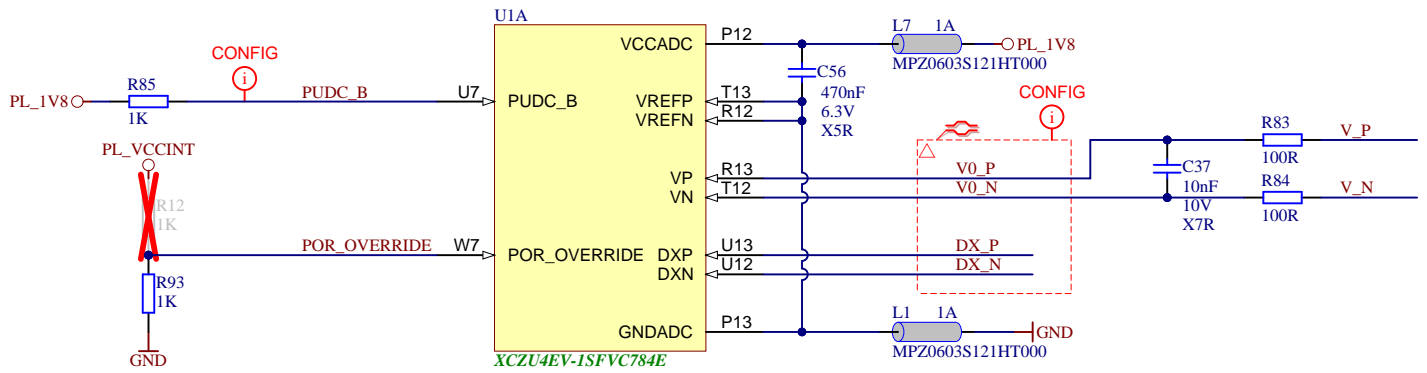
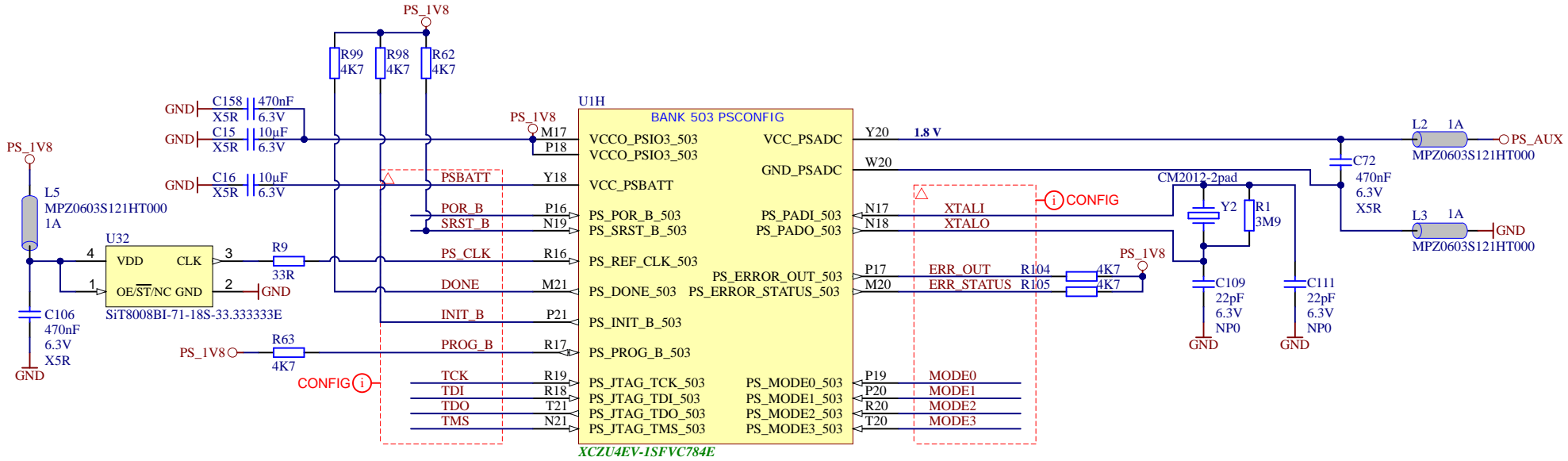
C

D

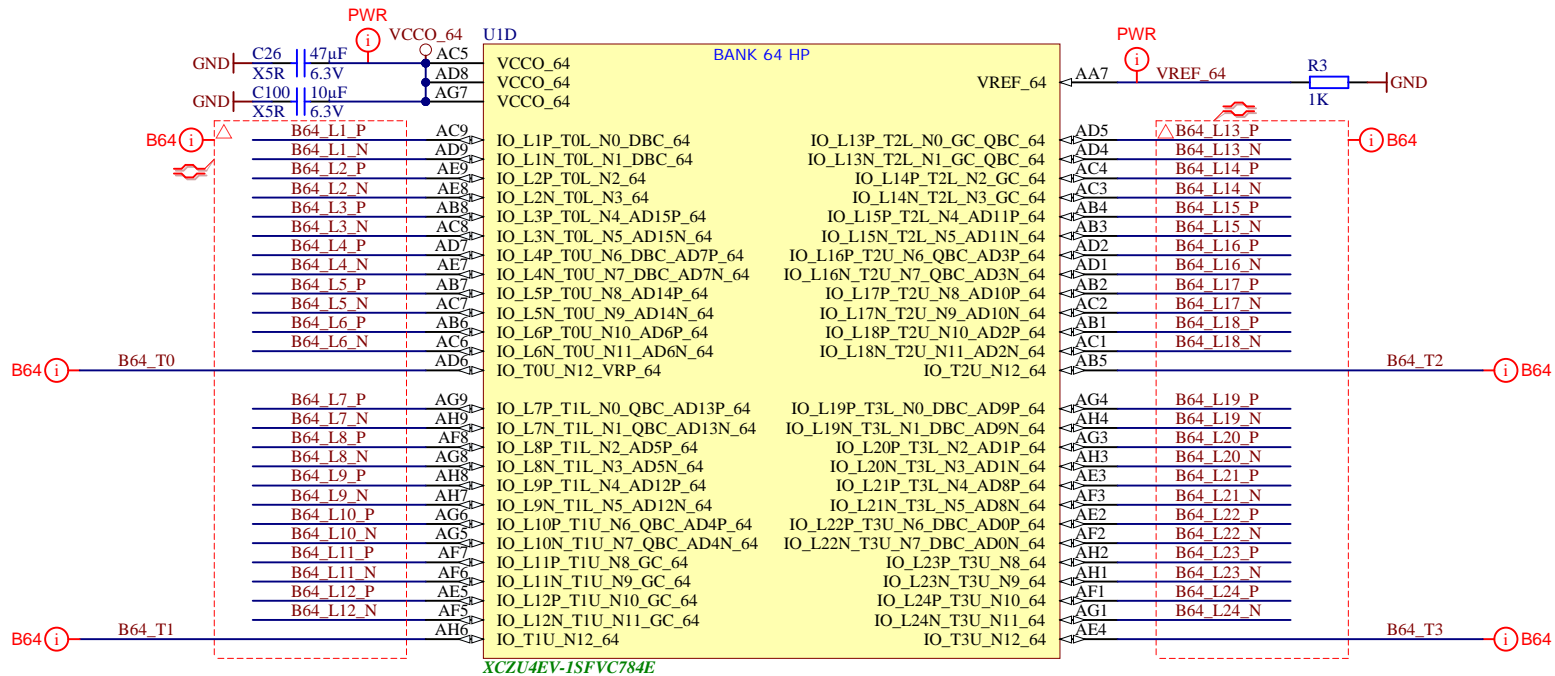
D



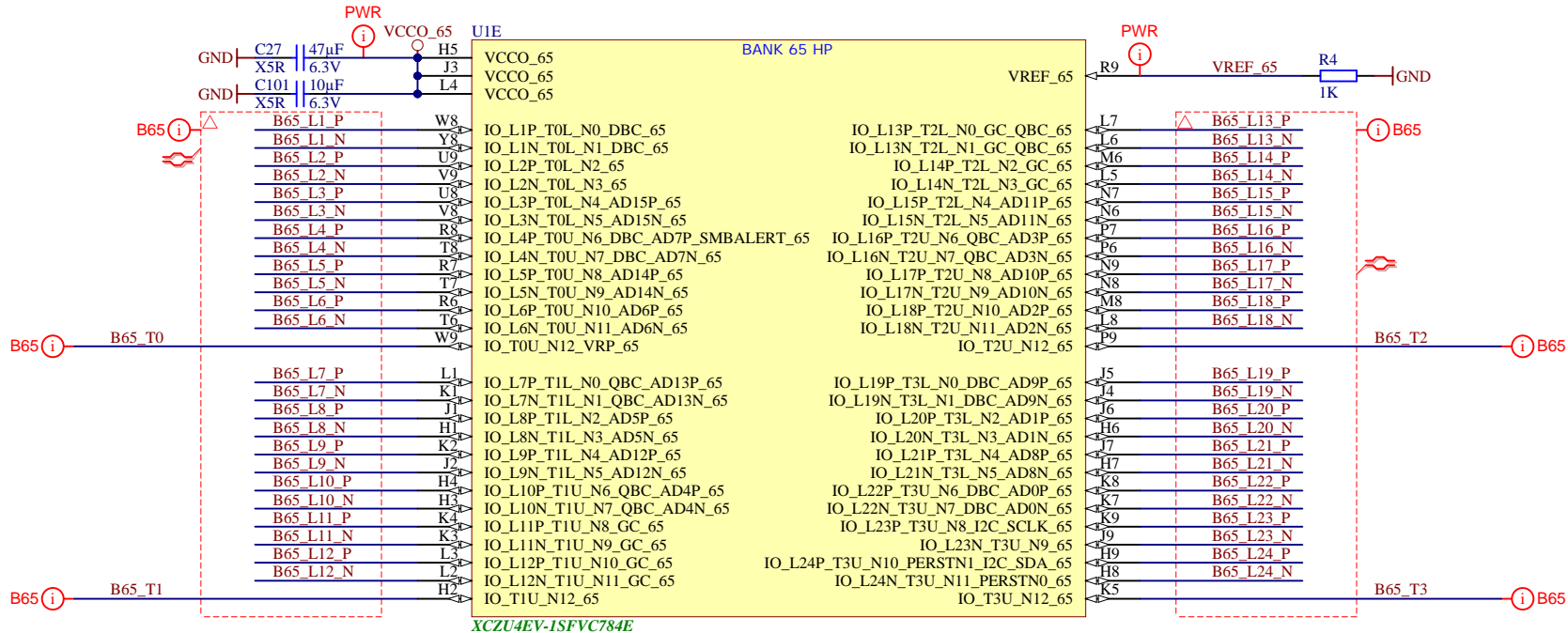
Title: <b>TE0813 - HD Banks</b>		
A4	Number: <b>TE0813 4DE81-A</b>	Rev. <b>02</b>
Date: <b>12.06.2023</b>	Copyright: <b>Trenz Electronic GmbH</b>	Page <b>10</b> of <b>30</b>
Filename: <b>B_HD.SchDoc</b>		



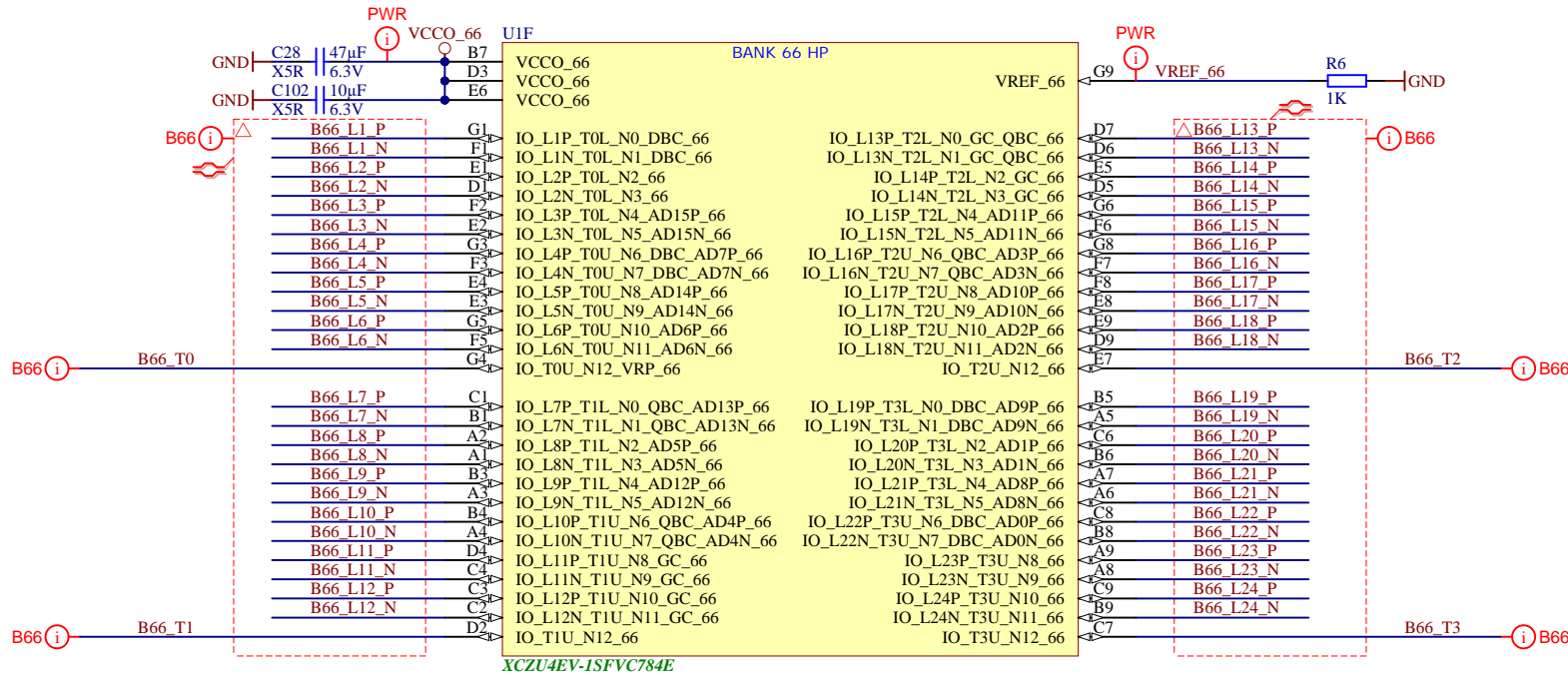

Title: TE0813 - Config		
A4	Number: TE0813 4DE81-A	Rev. 02
Date: 12.06.2023	Copyright: Trenz Electronic GmbH	Page 11 of 30
Filename: CONFIG.SchDoc		



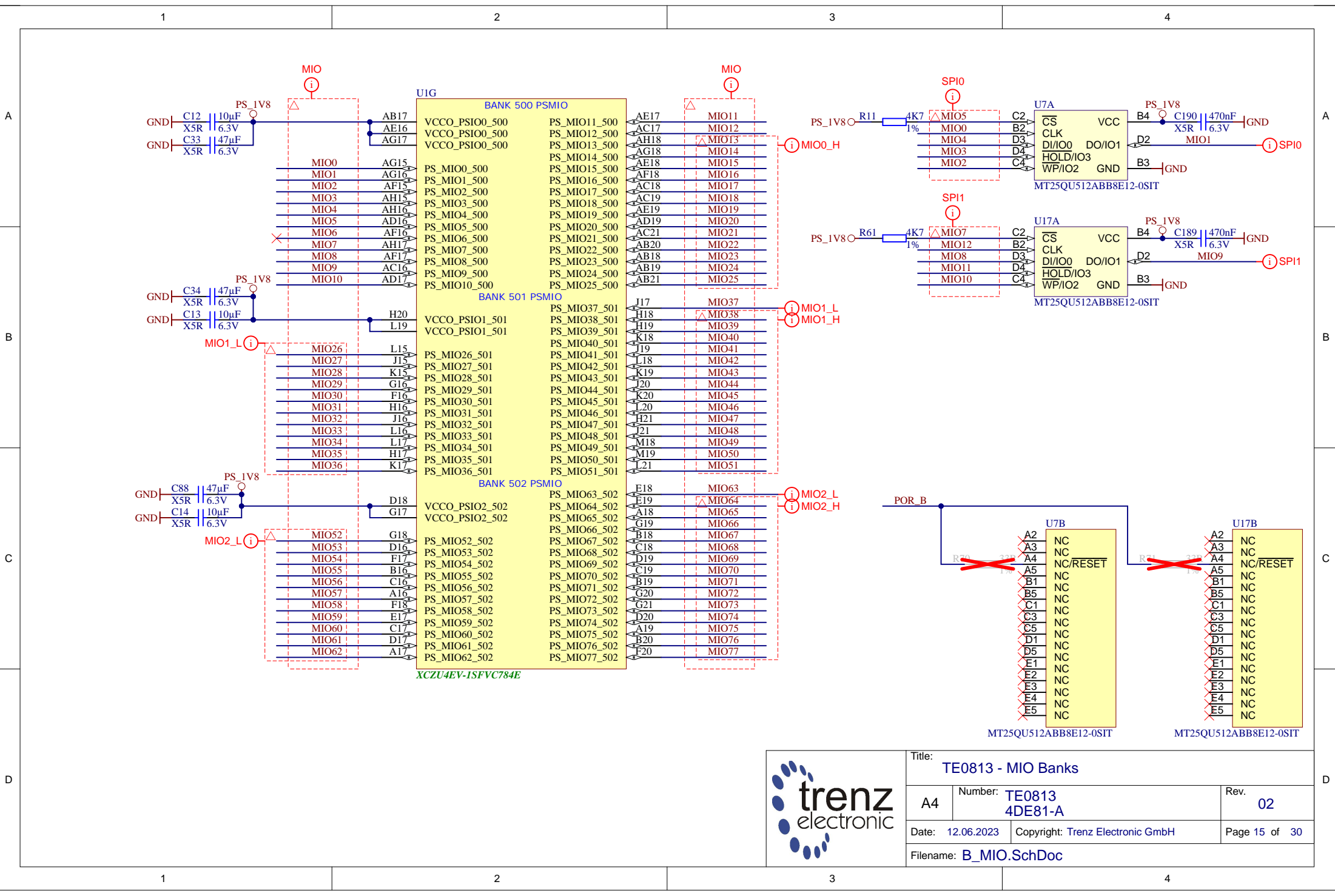
Title: <b>TE0813 - B64</b>		
A4	Number: <b>TE0813 4DE81-A</b>	Rev. <b>02</b>
Date: <b>12.06.2023</b>	Copyright: <b>Trenz Electronic GmbH</b>	Page <b>12</b> of <b>30</b>
Filename: <b>B64.SchDoc</b>		



Title: <b>TE0813 - B65</b>		
A4	Number: <b>TE0813 4DE81-A</b>	Rev. <b>02</b>
Date: <b>12.06.2023</b>	Copyright: <b>Trenz Electronic GmbH</b>	Page <b>13</b> of <b>30</b>
Filename: <b>B65.SchDoc</b>		

Title: TE0813 - B66		
A4	Number: TE0813 4DE81-A	Rev. 02
Date: 12.06.2023	Copyright: Trenz Electronic GmbH	Page 14 of 30
Filename: B66.SchDoc		



Title: TE0813 - MIO Banks		
A4	Number: TE0813 4DE81-A	Rev. 02
Date: 12.06.2023	Copyright: Trenz Electronic GmbH	Page 15 of 30
Filename: B_MIO.SchDoc		

A

B

C

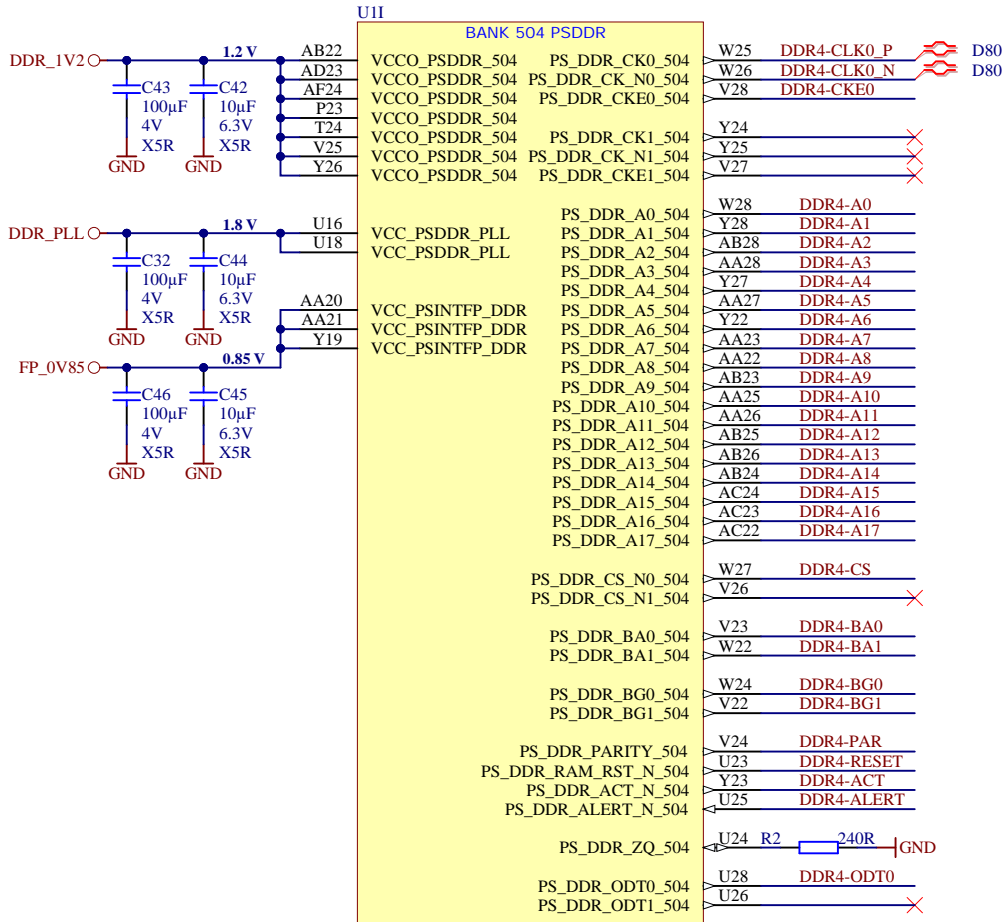
D

A

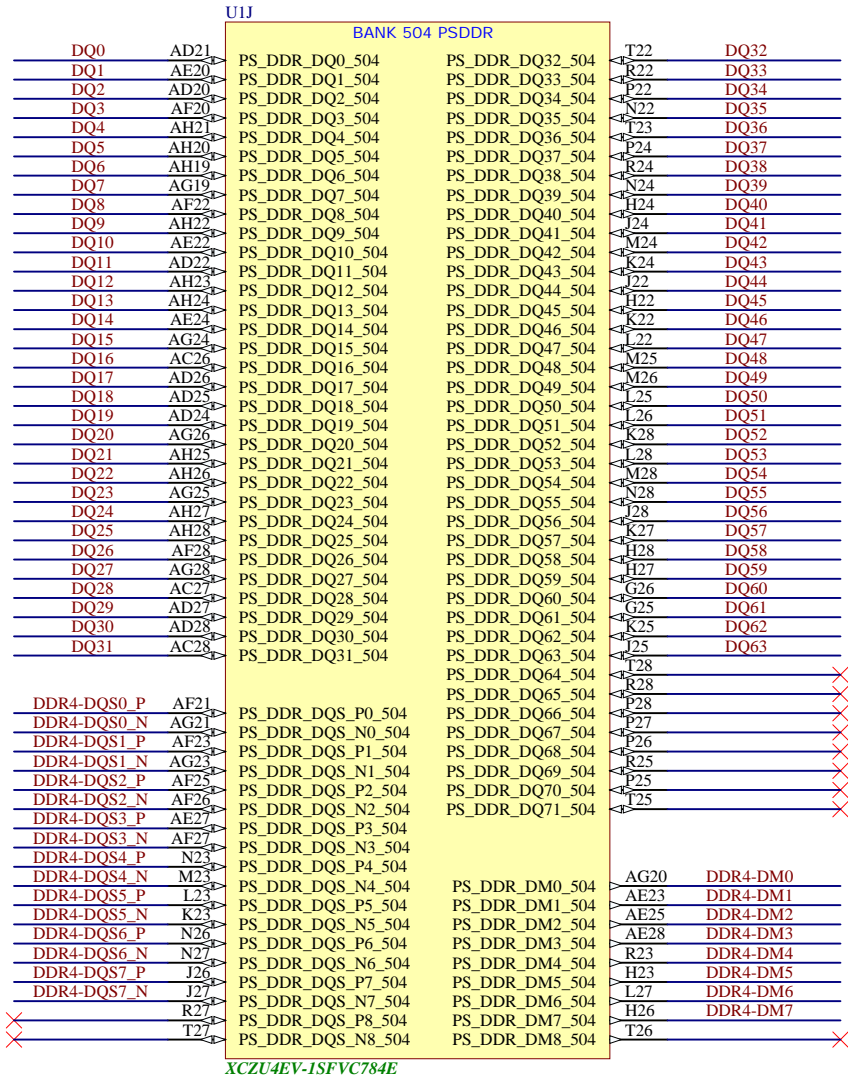
B

C

D



XCZU4EV-1SFVC784E



XCZU4EV-1SFVC784E



Title: <b>TE0813 - PS_DDR</b>		
A4	Number: <b>TE0813 4DE81-A</b>	Rev. <b>02</b>
Date: <b>12.06.2023</b>	Copyright: <b>Trenz Electronic GmbH</b>	Page <b>16</b> of <b>30</b>
Filename: <b>PS_DDR.SchDoc</b>		



1

2

3

4

A

A

B

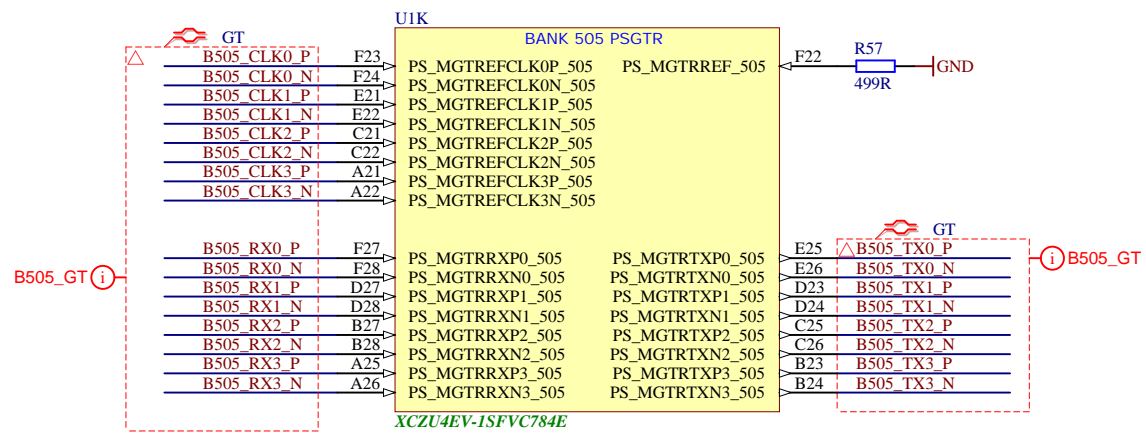
B

C

C

D

D



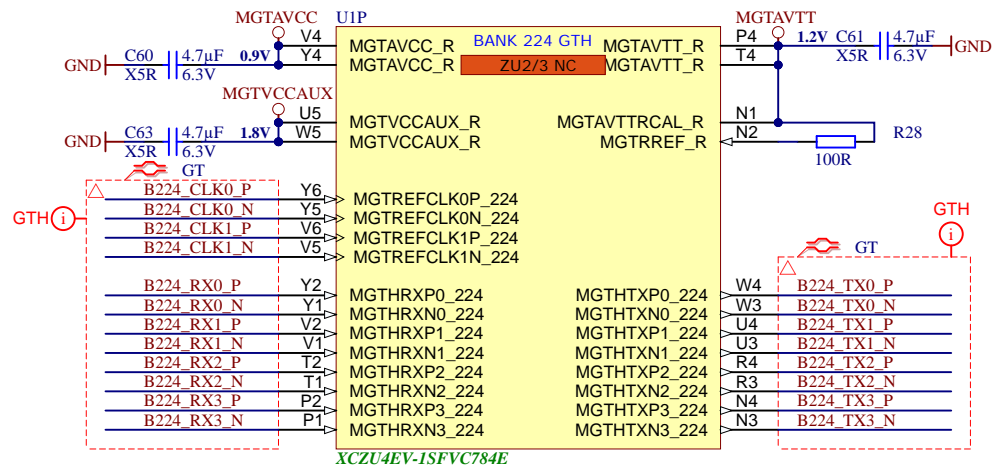
Title: TE0813 - PS_GT		
A4	Number: TE0813 4DE81-A	Rev. 02
Date: 12.06.2023	Copyright: Trenz Electronic GmbH	Page 17 of 30
Filename: B_PS_GT.SchDoc		


1

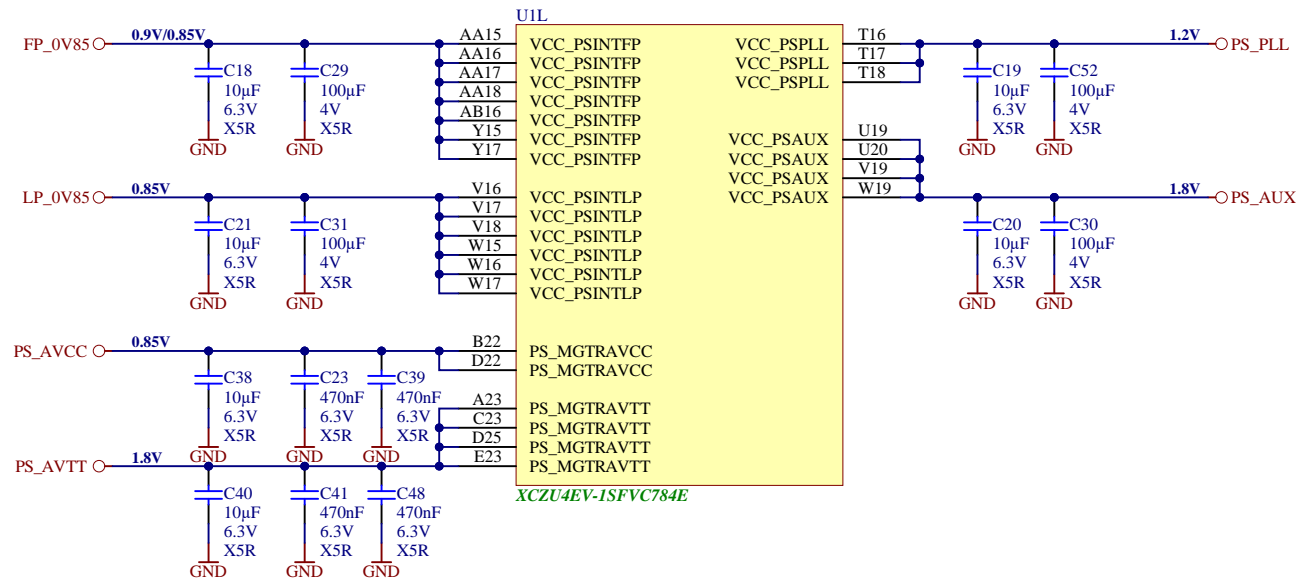
2


3

4



		Title: TE0813 - B224 - GTH	
		A4	Number: TE0813 4DE81-A
Date: 12.06.2023		Copyright: Trenz Electronic GmbH	
Page 18 of 30			
Filename: B_GT.SchDoc			



		Title: TE0813 - ZU_PS_POWER	
		A4	Number: TE0813 4DE81-A
Date: 13.06.2023		Copyright: Trenz Electronic GmbH	
Filename: ZU_PS_POWER.SchDoc		Page 19 of 30	



1

2

3

4

A

A

B

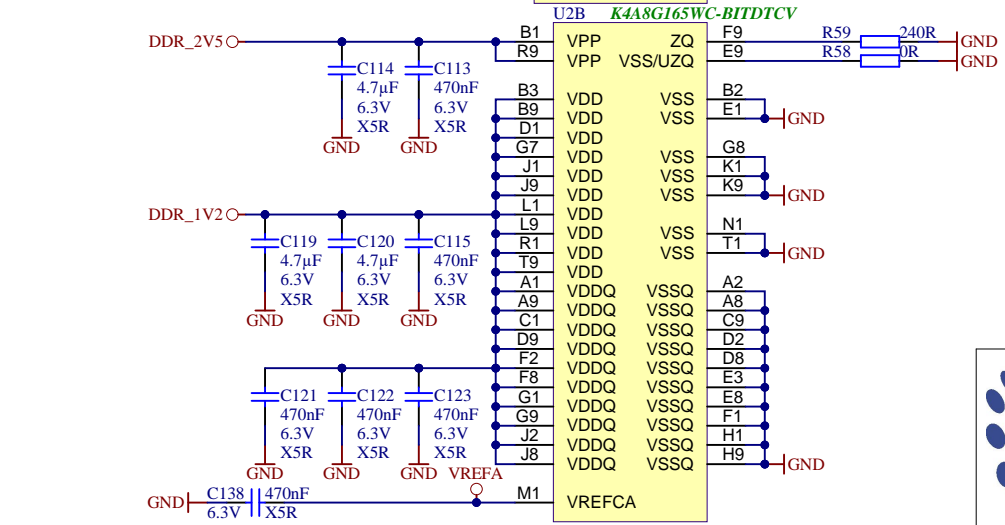
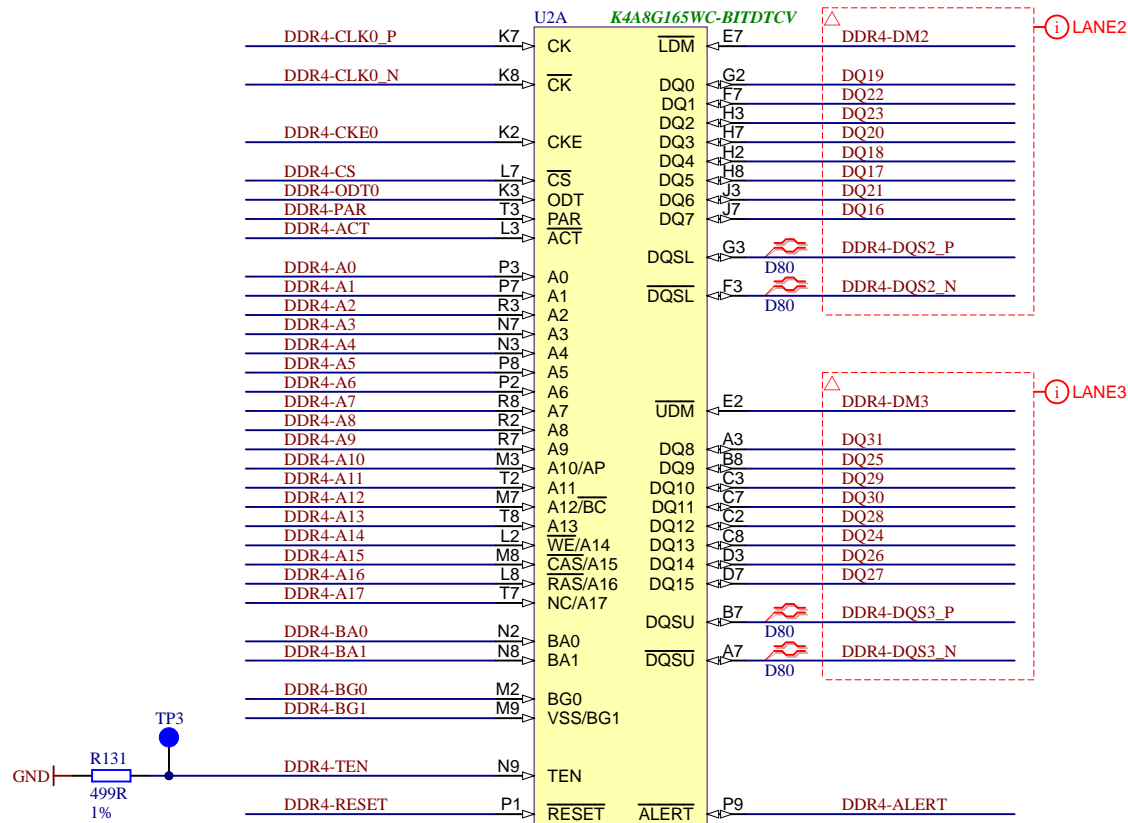
B

C

C

D

D



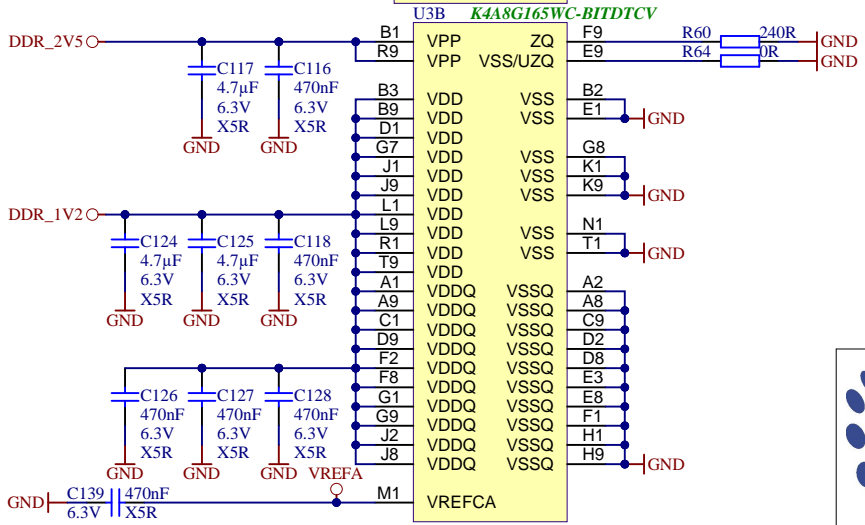
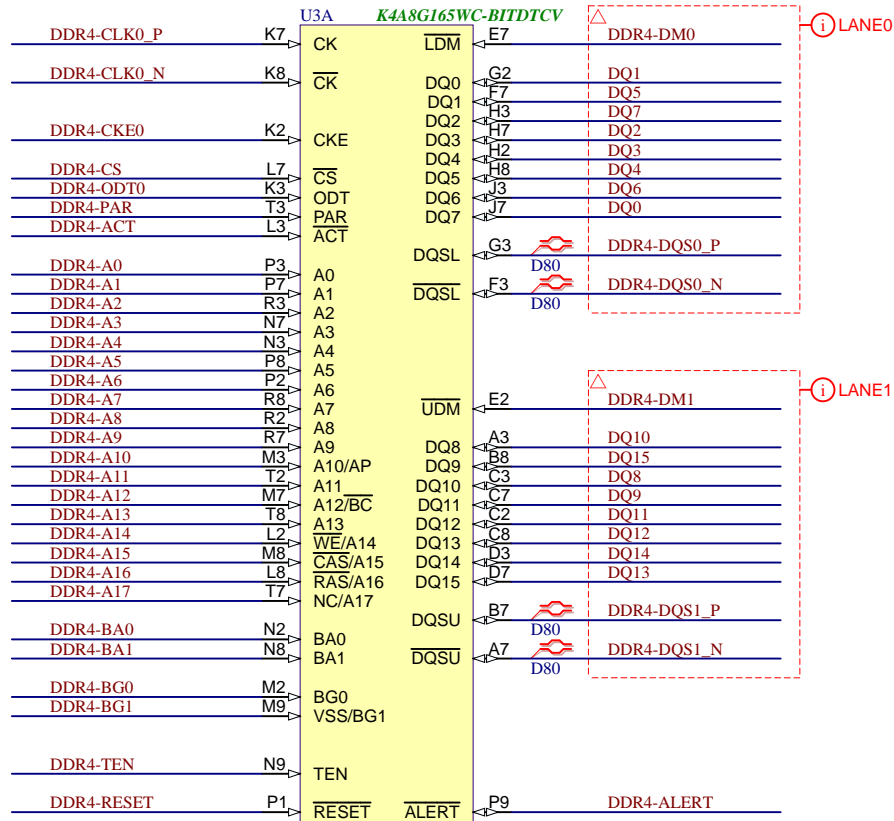
Title: TE0813 - DDR4_1_RAM		
A4	Number: TE0813 4DE81-A	Rev. 02
Date: 12.06.2023	Copyright: Trenz Electronic GmbH	Page 21 of 30
Filename: DDR4-RAM.SchDoc		

1

2

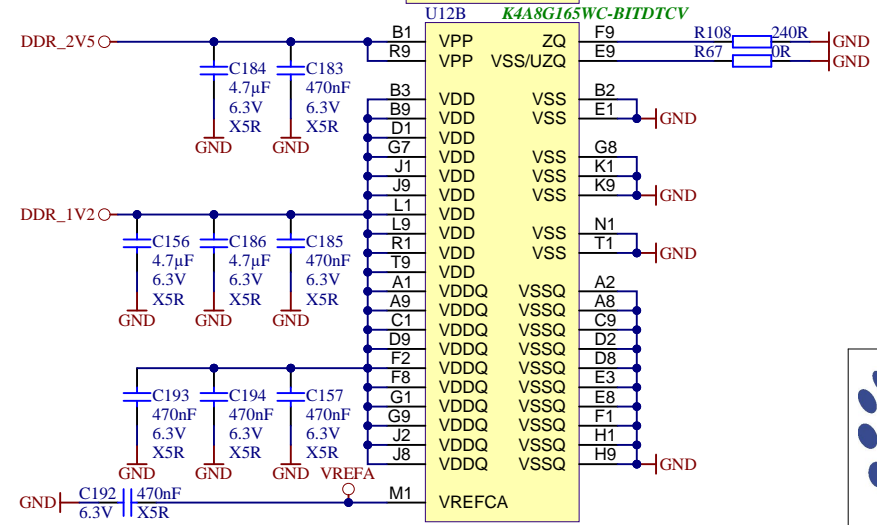
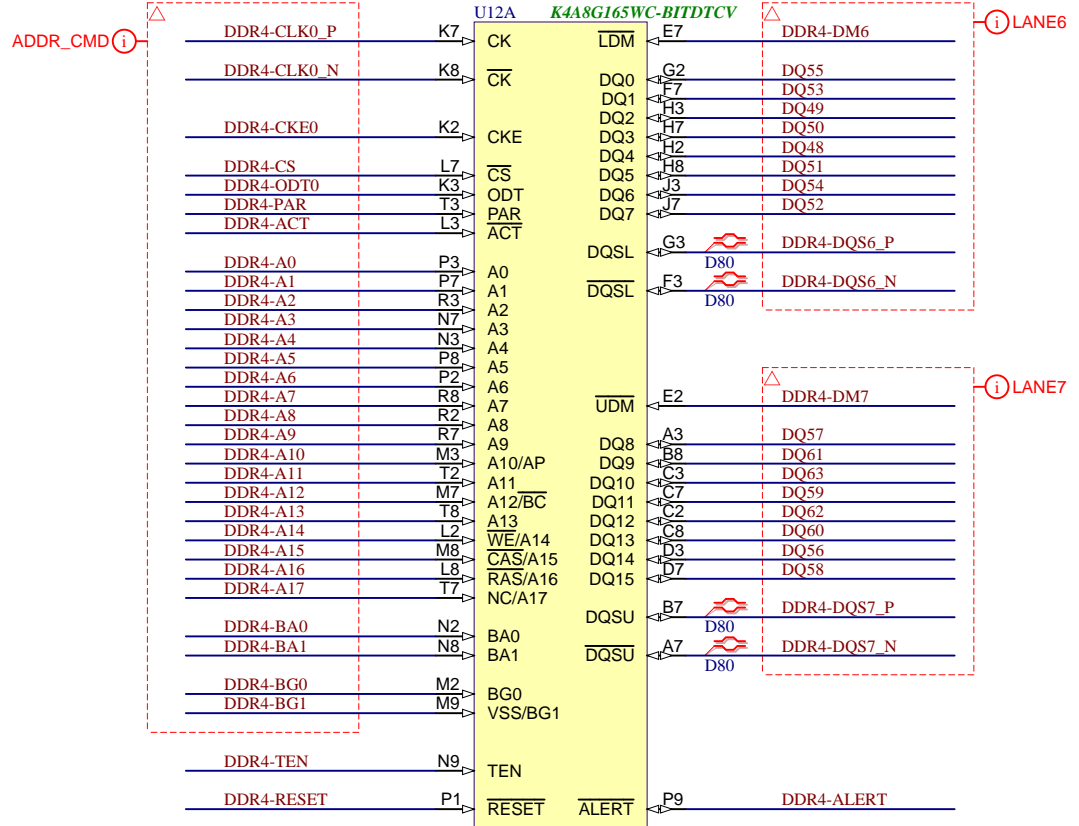
3

4



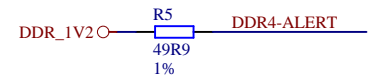
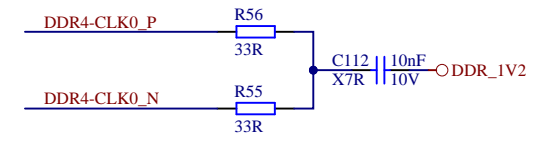
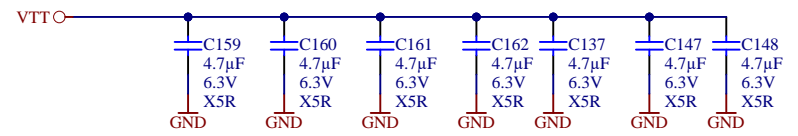
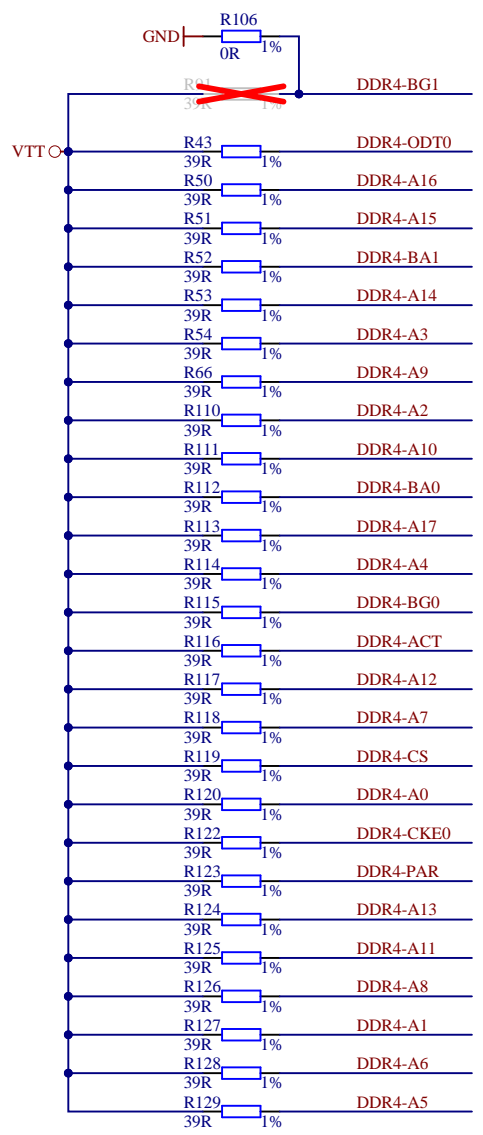
Title: TE0813 - DDR4_2_RAM		
A4	Number: TE0813 4DE81-A	Rev. 02
Date: 12.06.2023	Copyright: Trenz Electronic GmbH	Page 22 of 30
Filename: DDR4-RAM_2.SchDoc		



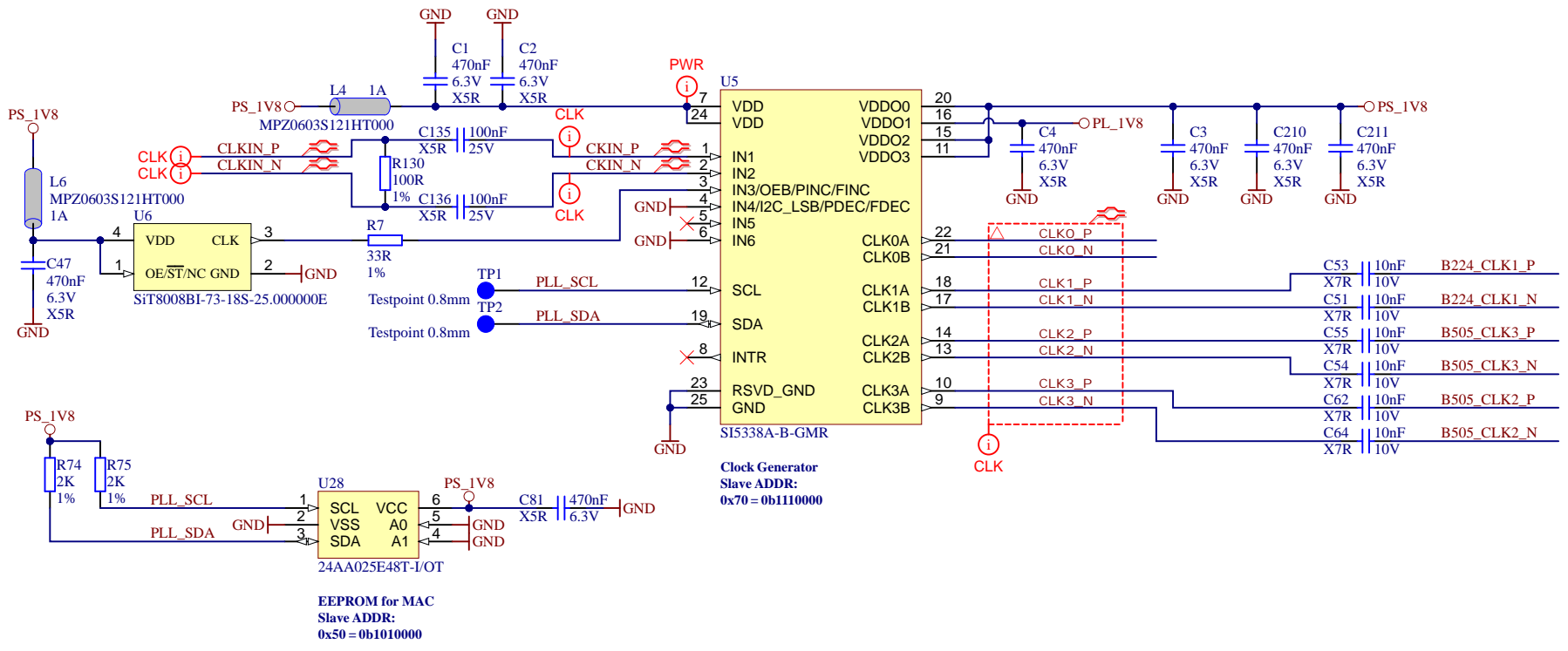



Title: TE0813 - DDR4_4_RAM		
A4	Number: TE0813 4DE81-A	Rev. 02
Date: 12.06.2023	Copyright: Trenz Electronic GmbH	Page 24 of 30
Filename: DDR4-RAM_4.SchDoc		



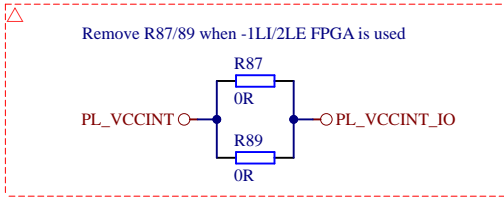


Title: TE0813 - DDR4_TERM		
A4	Number: TE0813 4DE81-A	Rev. 02
Date: 12.06.2023	Copyright: Trenz Electronic GmbH	Page 25 of 30
Filename: DDR4-TERM.SchDoc		



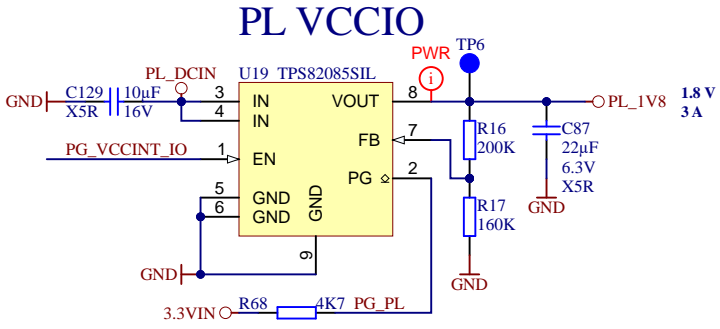
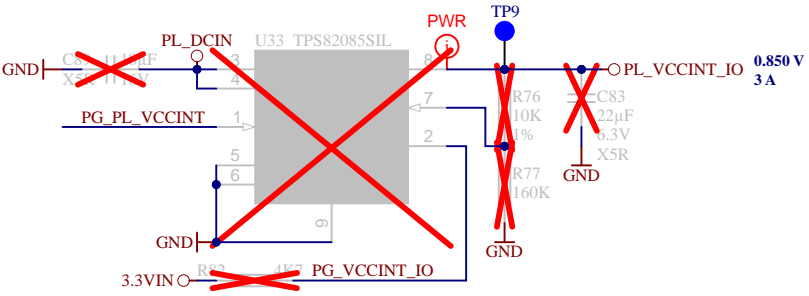
		Title: TE0813 - CLOCK	
		A4	Number: TE0813 4DE81-A
Date: 12.06.2023		Copyright: Trenz Electronic GmbH	
Filename: Clock.SchDoc		Page 26 of 30	



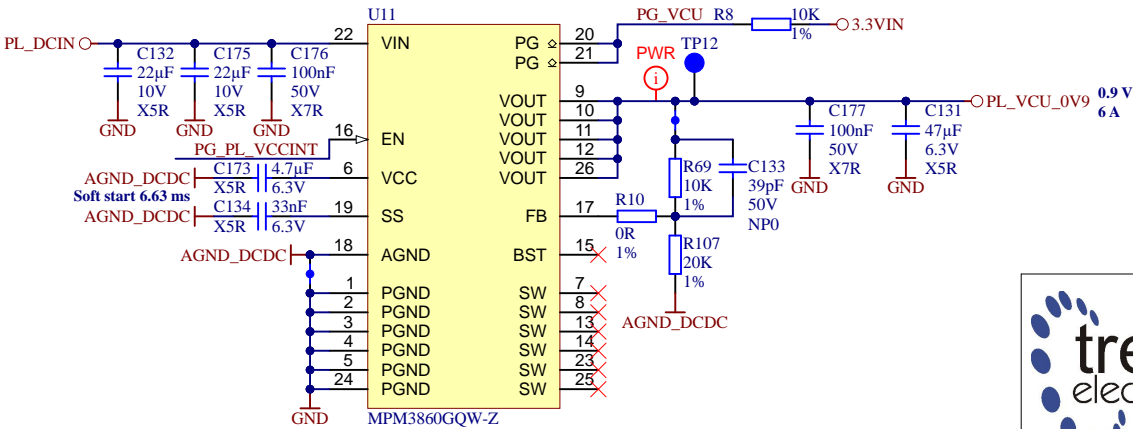


### VCCINT\_IO & VCCBRAM

Add U33 when -1L1/2LE FPGA is used

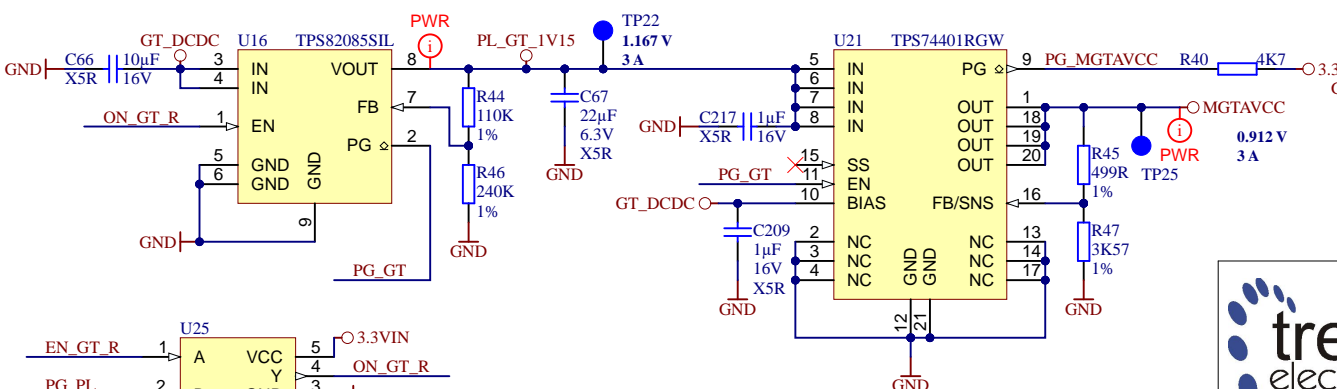
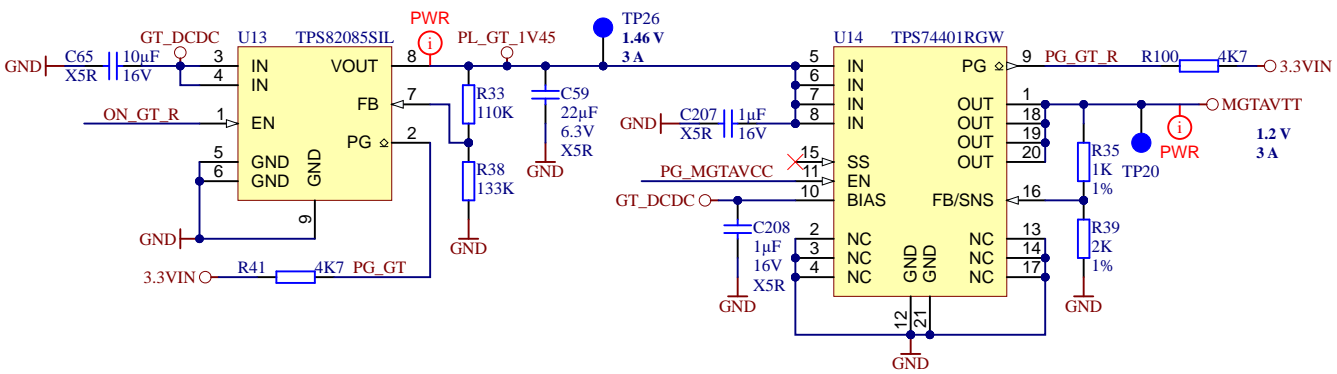
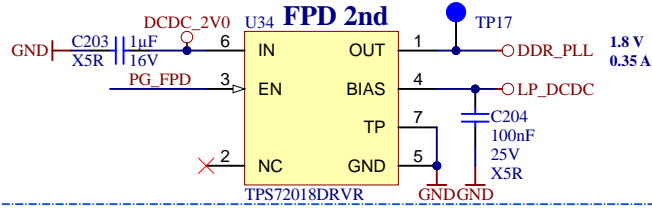
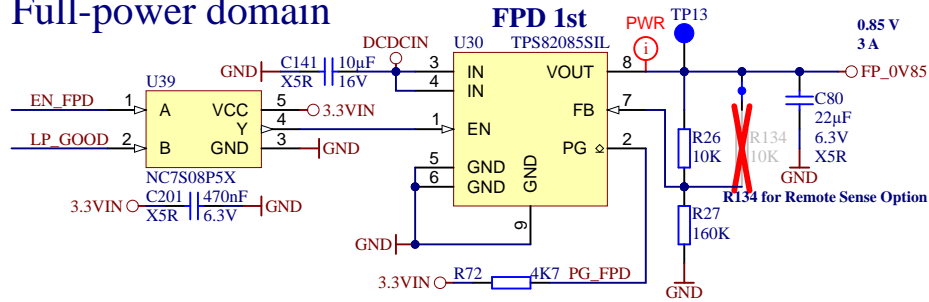


### VCU

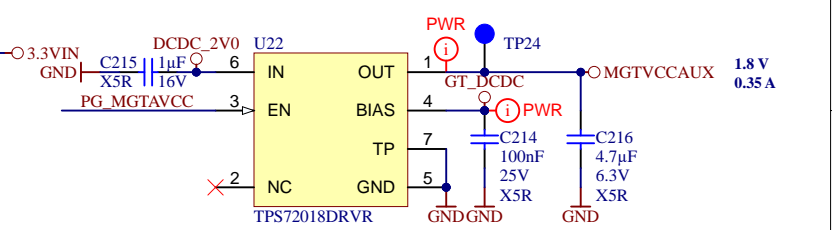
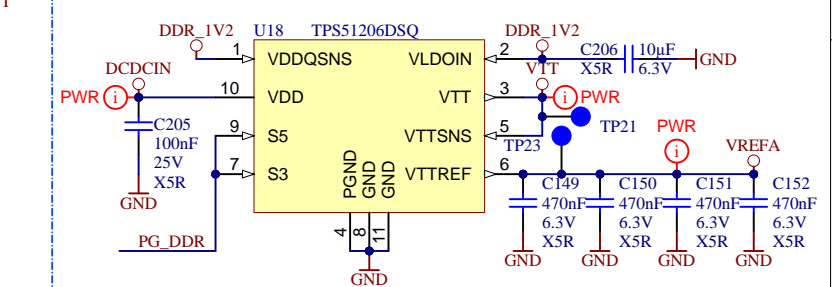
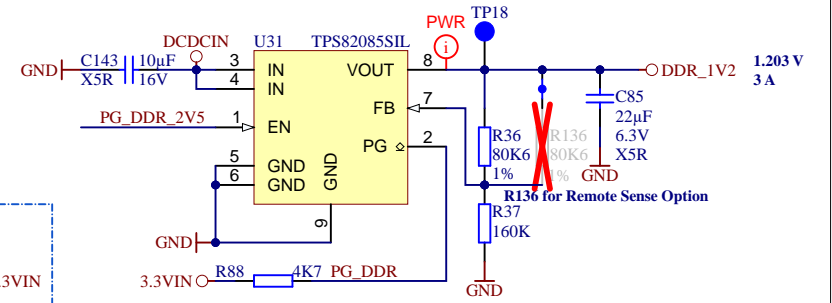
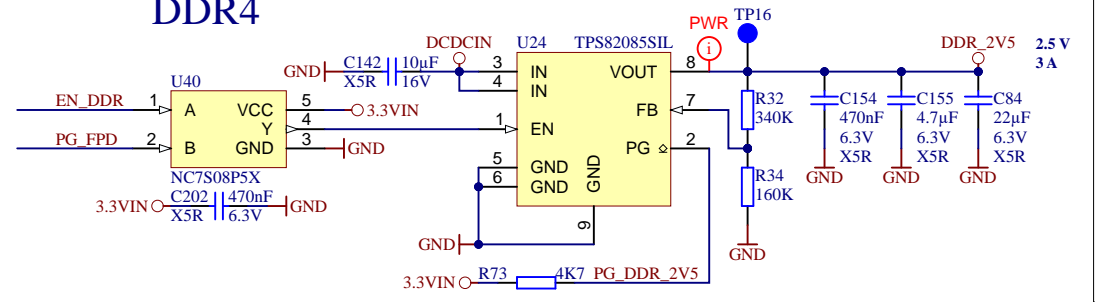


Title: TE0813 - POWER_2		
A4	Number: TE0813 4DE81-A	Rev. 02
Date: 14.06.2023	Copyright: Trenz Electronic GmbH	Page 28 of 30
Filename: POWER_1.SchDoc		

# Full-power domain



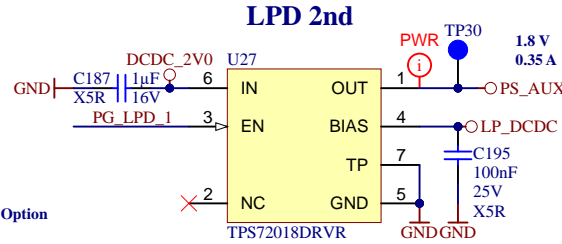
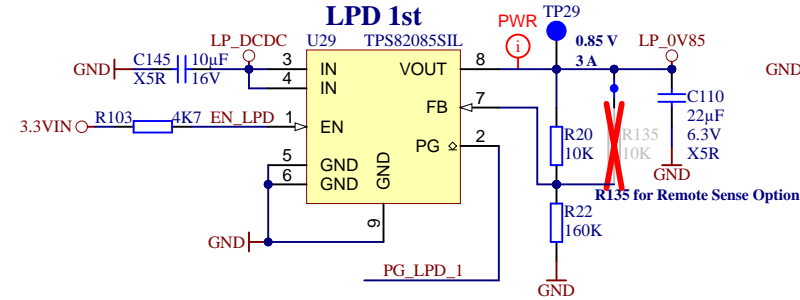
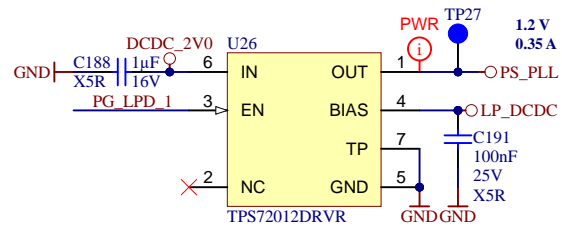
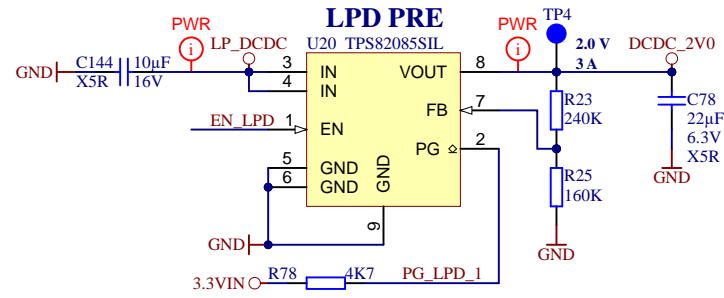
# DDR4



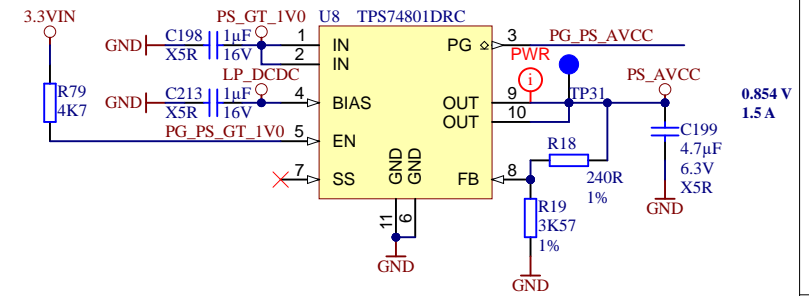
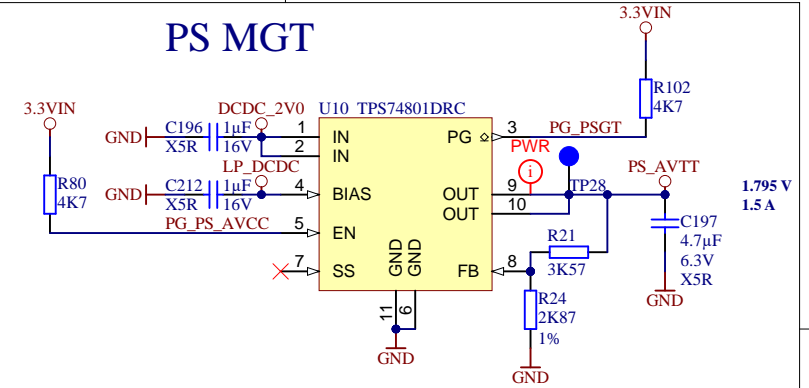
PL MGT

Title: TE0813 - POWER_3		
A4	Number: TE0813 4DE81-A	Rev. 02
Date: 14.06.2023	Copyright: Trenz Electronic GmbH	Page 29 of 30
Filename: POWER_2.SchDoc		

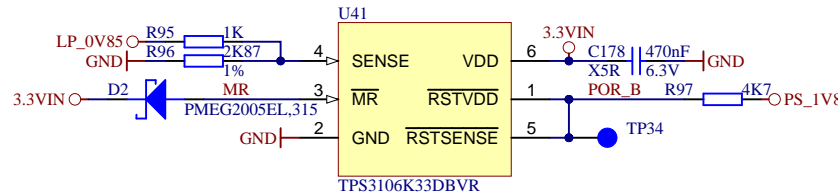
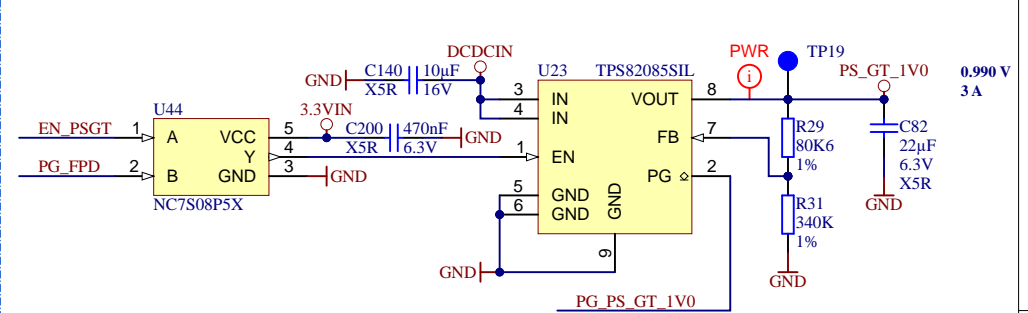
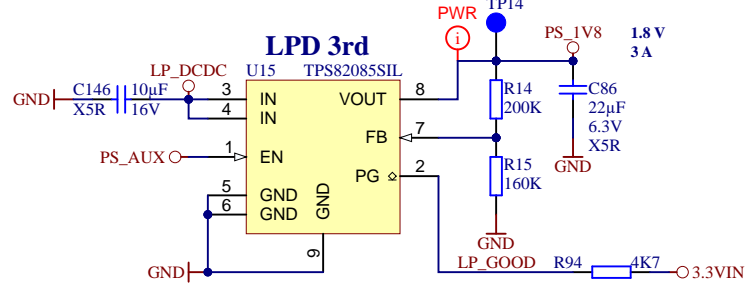
## Low-power domain



## PS MGT



## PS MIO VCCIO



Net Name	Voltage Rail	Low Detect
LP_OV85	0.85 V	0.743 V
3.3VIN	3.3 V	2.941 V



Title: TE0813 - POWER_4		
A4	Number: TE0813 4DE81-A	Rev. 02
Date: 14.06.2023	Copyright: Trenz Electronic GmbH	Page 30 of 30
Filename: POWER_3.SchDoc		