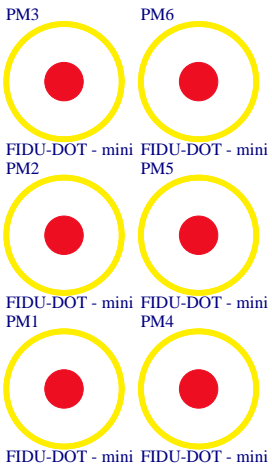
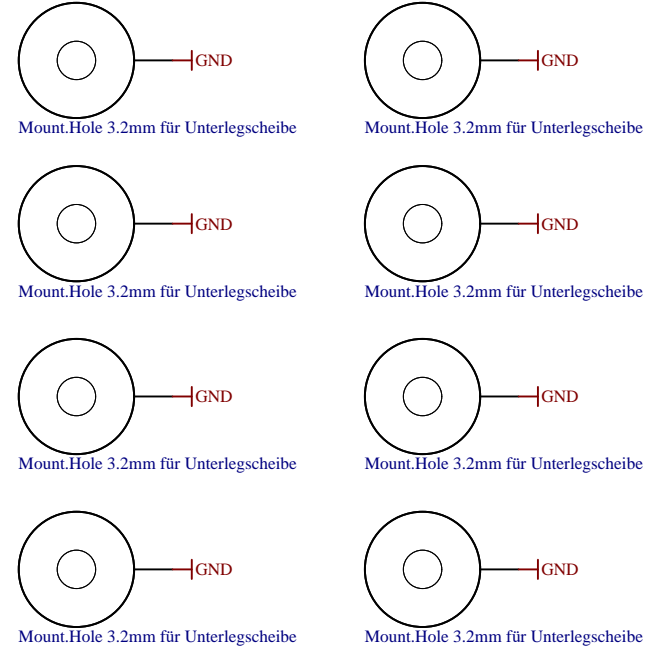


U\_J1  
J1.SchDoc  
U\_J2  
J2.SchDoc  
U\_J3  
J3.SchDoc  
U\_J4  
J4.SchDoc  
U\_DDR4-TERM  
DDR4-TERM.SchDoc  
U\_B64  
B64.SchDoc  
U\_B65  
B65.SchDoc  
U\_B66  
B66.SchDoc  
U\_B\_GT  
B\_GT.SchDoc  
U\_B\_GT\_2  
B\_GT\_2.SchDoc  
U\_Legal Notices Modules  
Legal Notices Modules.SchDoc

U\_B\_PS\_GT  
B\_PS\_GT.SchDoc  
U\_PS\_DDR  
PS\_DDR.SchDoc  
U\_B\_MIO  
B\_MIO.SchDoc  
U\_B\_HD  
B\_HD.SchDoc  
U\_Clock  
Clock.SchDoc  
U\_CONFIG  
CONFIG.SchDoc  
U\_DDR4-RAM  
DDR4-RAM.SchDoc  
U\_DDR4-RAM\_2  
DDR4-RAM\_2.SchDoc  
U\_DDR4-RAM\_3  
DDR4-RAM\_3.SchDoc  
U\_DDR4-RAM\_4  
DDR4-RAM\_4.SchDoc  
U\_Power\_Diagram.SchDoc  
Power\_Diagram.SchDoc

U\_DDR4-TERM  
DDR4-TERM.SchDoc  
U\_ZU\_POWER  
ZU\_POWER.SchDoc  
U\_ZU\_PS\_POWER  
ZU\_PS\_POWER.SchDoc  
U\_POWER  
POWER.SchDoc  
U\_POWER\_2  
POWER\_2.SchDoc  
U\_POWER\_3  
POWER\_3.SchDoc  
U\_POWER\_4  
POWER\_4.SchDoc  
U\_RC  
Revision\_Changes.SchDoc  
U\_TE0818-Overview  
TE0818-Overview.SchDoc

Special notes:



Serial  
Serial  
Serialnummer 6,3 x 6.3mm

MECHI  
TE Address Overlay

LOGO ADDRESS

LOGO1  
TE Logo PRINT Layer

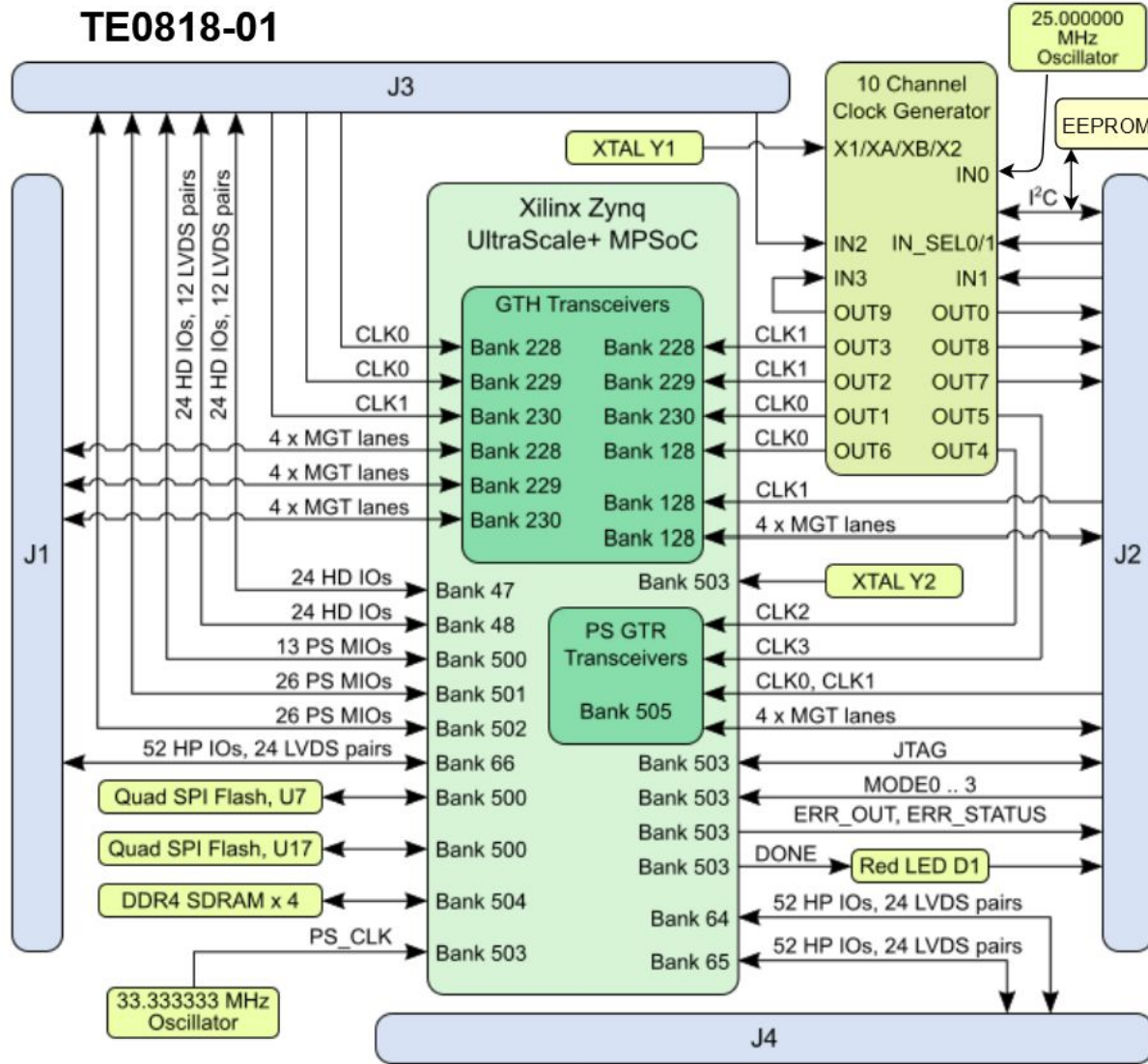
LOGO PRINT


Design drawn by: VT  
Checked by: IG  
Assembly variant: 6BE76-A  
Created by: VT  
Modified by: VT  
Modified at: 2021-05-19

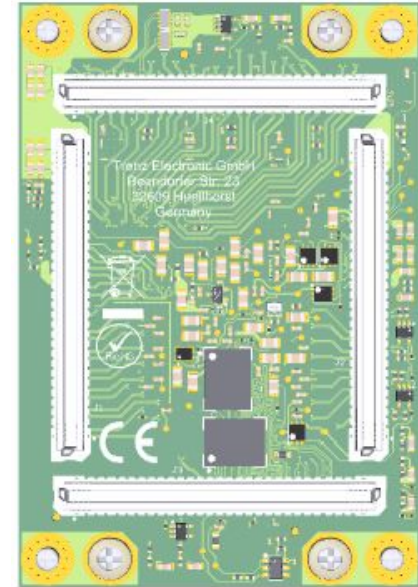
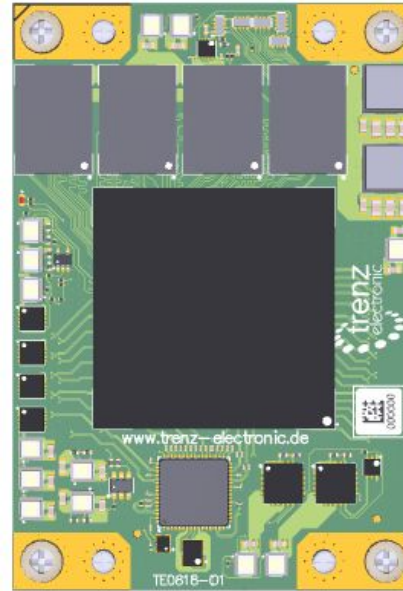
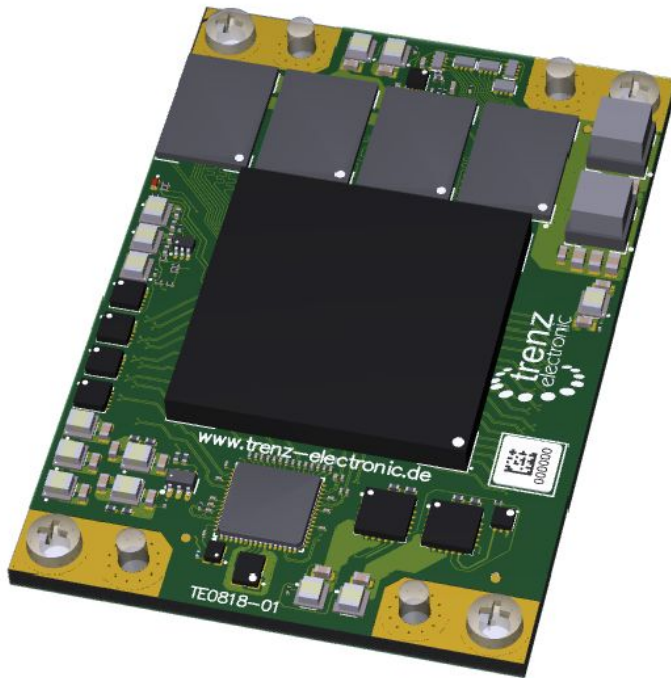


Title: TE0818		
A4	Number: TE0818 6BE76-A	Rev. 01
Date: 2021-08-17	Copyright: Trenz Electronic GmbH	Page 1 of 31
Filename: TE0818.SchDoc		

# TE0818-01




		Title: <b>Module TE0818 - System Overview</b>	
		A4	Number: <b>TE0818 6BE76-A</b>
Date: 2021-08-17		Copyright: Trenz Electronic GmbH	
Filename: <b>TE0818-Overview.SchDoc</b>		Page 2 of 31	

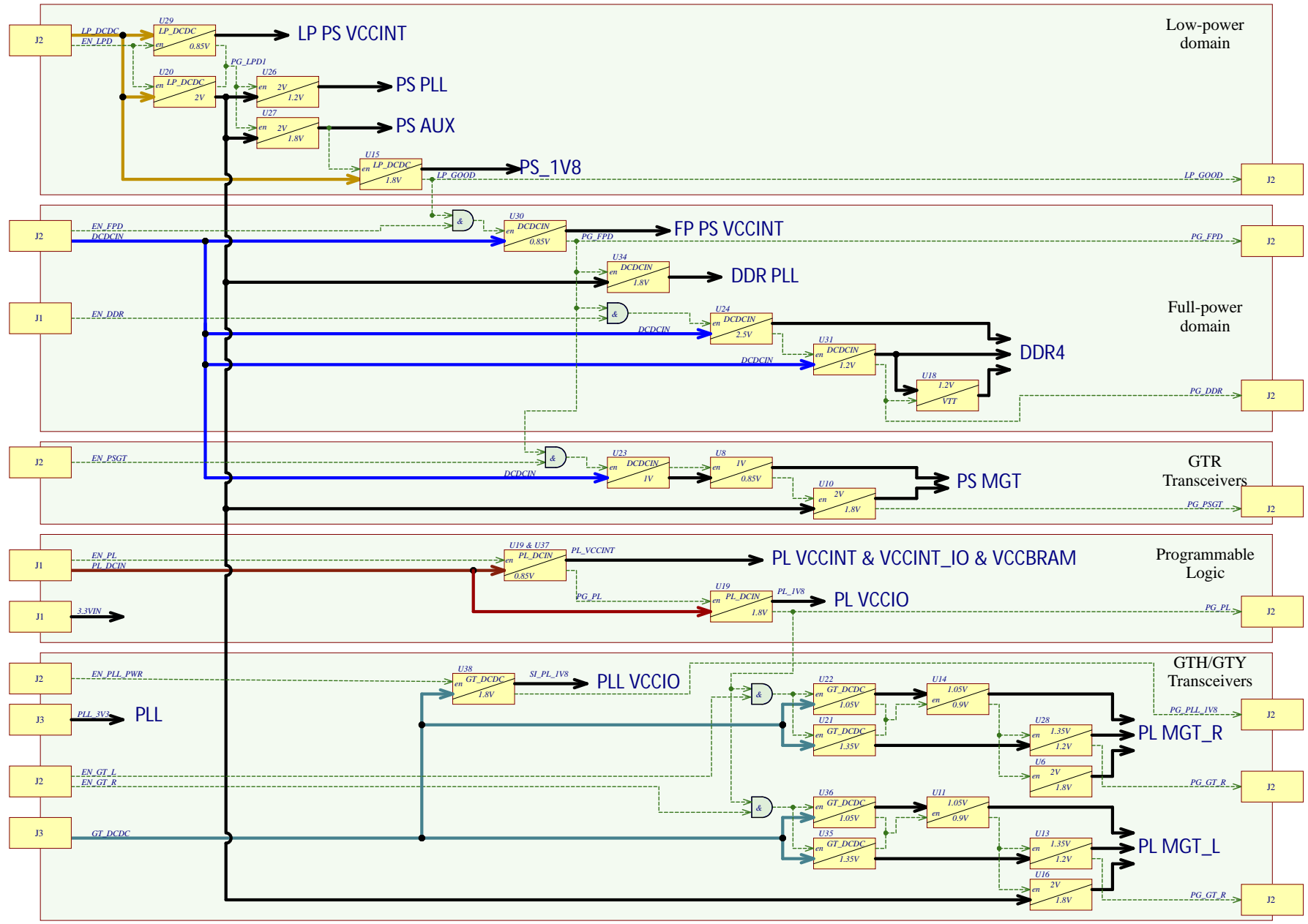


Regarding the usage of our schematics and alike documentation for Trenz module TE0818.

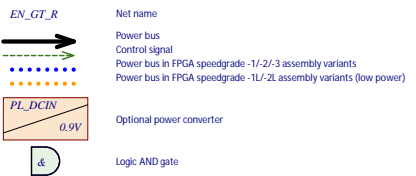
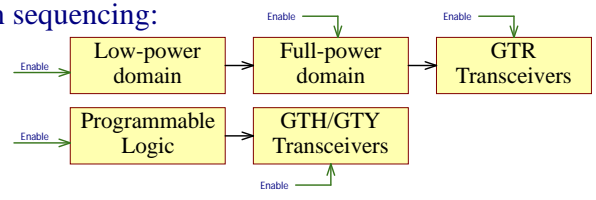
Project is protected under copyright and we strongly and strictly prohibit the reverse engineering or recreation, even if the design is just adapted or modified. TE0818 is protected under such right and in case of plagiarism we will have to do anything necessary in order to protect our assets.

Schematics and other handouts serve for informational purposes only!

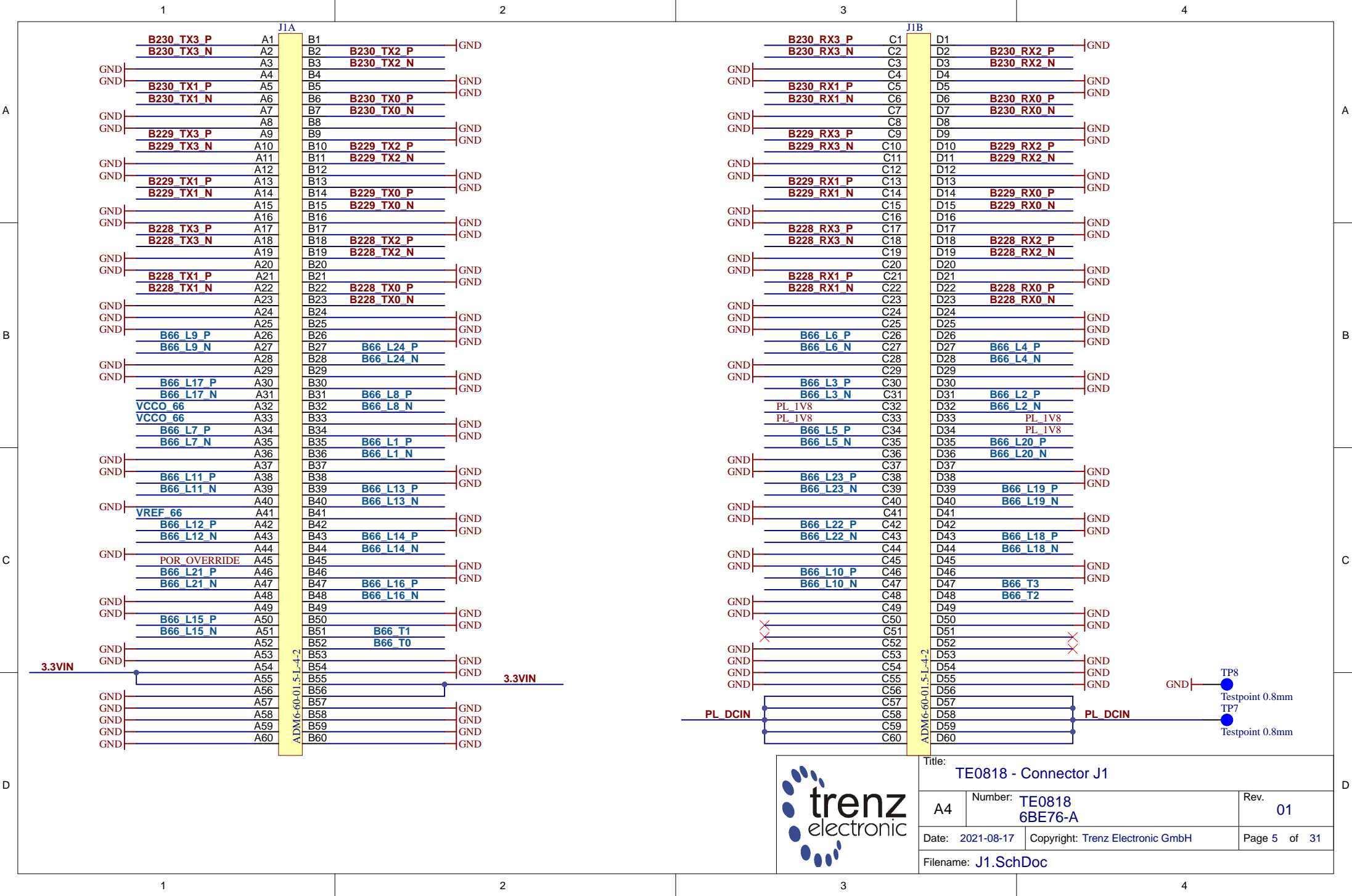
	Title: <b>TE0818</b>		
	A4	Number: <b>TE0818 6BE76-A</b>	Rev. <b>01</b>
	Date: <b>2021-08-17</b>	Copyright: <b>Trenz Electronic GmbH</b>	Page <b>3</b> of <b>31</b>
	Filename: <b>Legal Notices Modules.SchDoc</b>		



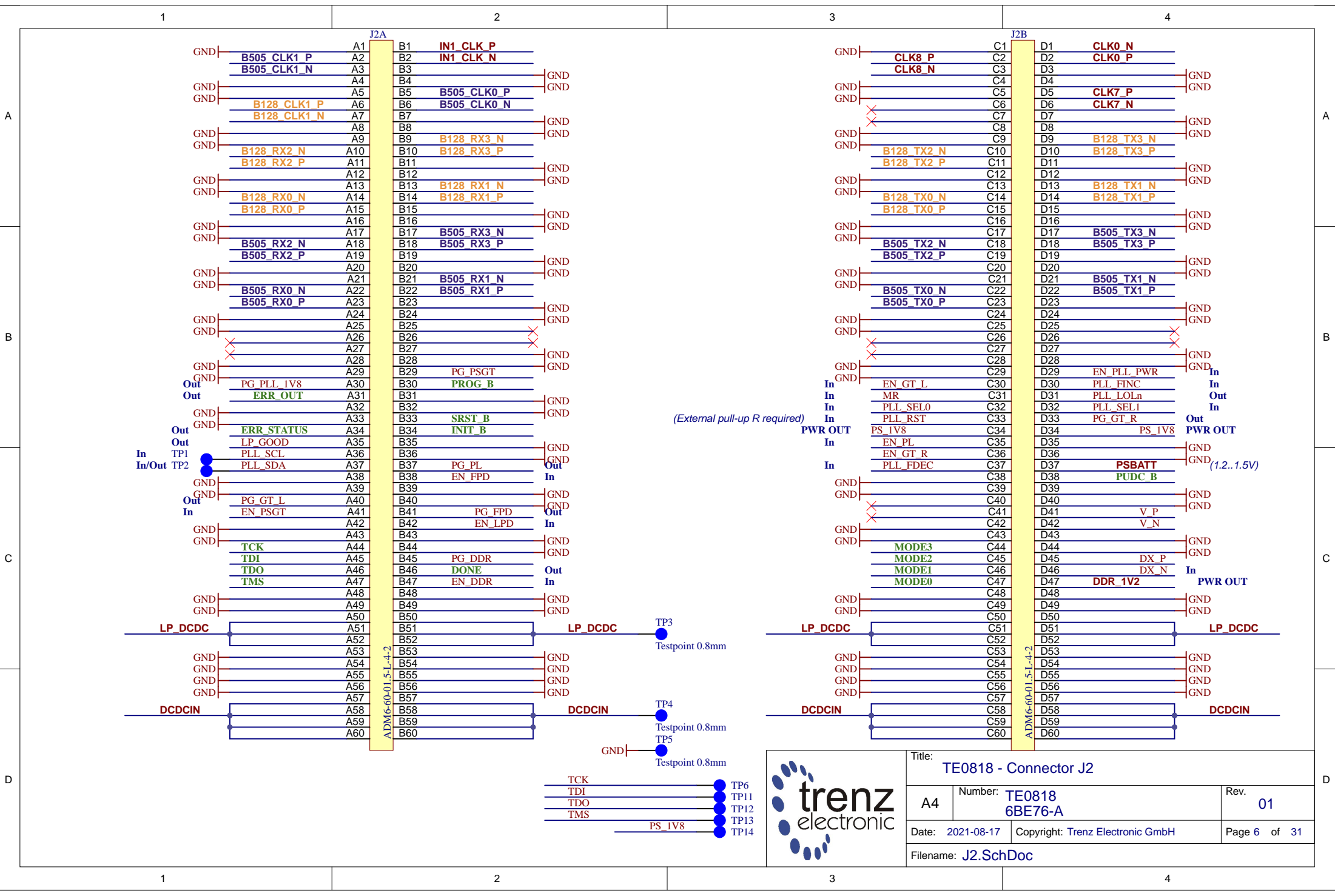
**Power-on sequencing:**



Title: TE0813 - Power Diagram		
A3	Number: TE0813 6BE76-A	Rev. 01
Datum: 2021-01-19	Copyright: Trenz Electronic GmbH	Page 4 of 31
Filename: Power_Diagram.SchDoc		



Title: TE0818 - Connector J1		
A4	Number: TE0818 6BE76-A	Rev. 01
Date: 2021-08-17	Copyright: Trenz Electronic GmbH	Page 5 of 31
Filename: J1.SchDoc		



(External pull-up R required)



Title: TE0818 - Connector J2		
A4	Number: TE0818 6BE76-A	Rev. 01
Date: 2021-08-17	Copyright: Trenz Electronic GmbH	Page 6 of 31
Filename: J2.SchDoc		

A

B

C

D

A

B

C

D

1

2

3

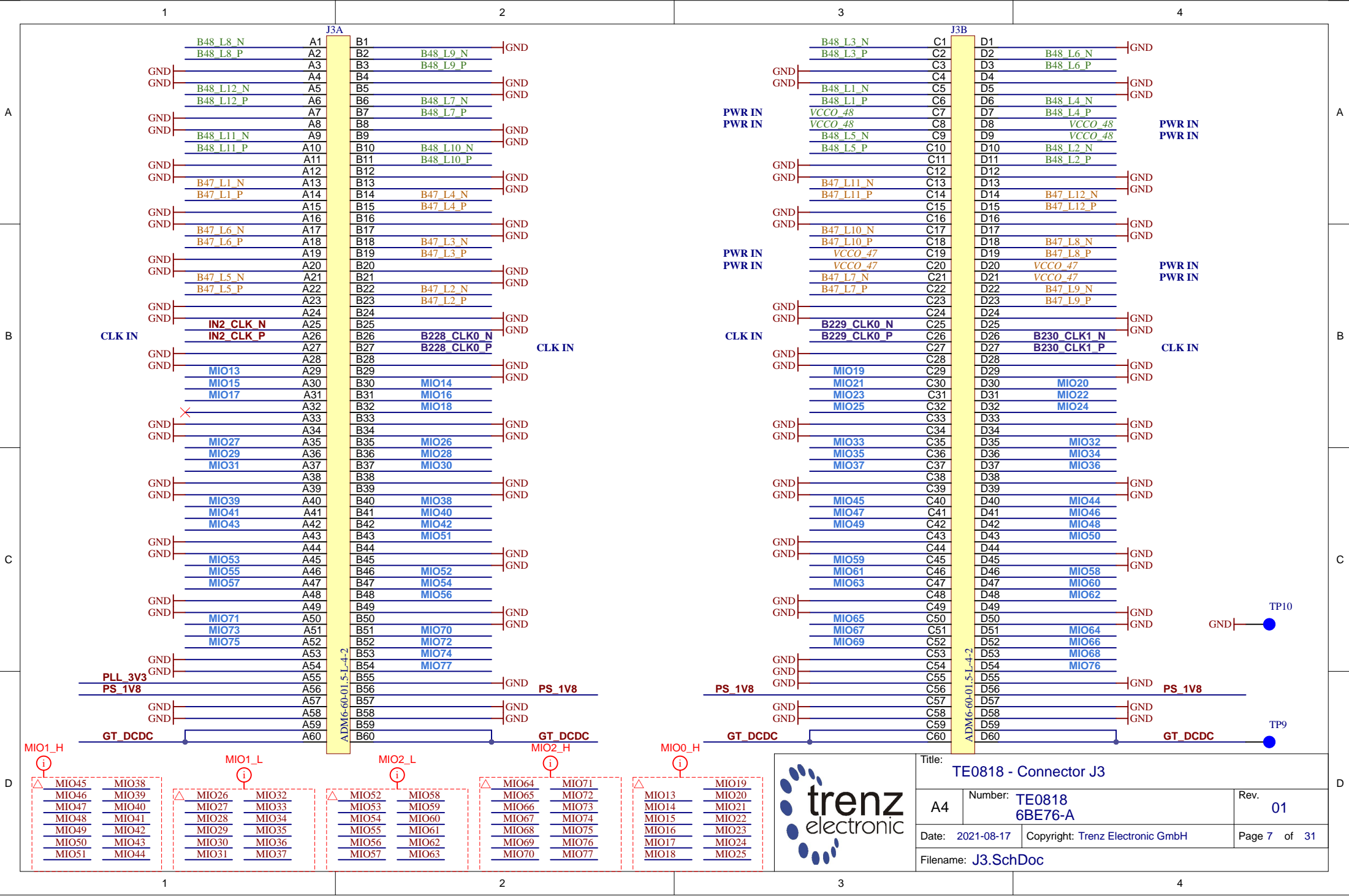
4

1

2

3

4



MIO45	MIO38	MIO26	MIO32	MIO52	MIO58	MIO64	MIO71	MIO13	MIO19
MIO46	MIO39	MIO27	MIO33	MIO53	MIO59	MIO65	MIO72	MIO14	MIO20
MIO47	MIO40	MIO28	MIO34	MIO54	MIO60	MIO66	MIO73	MIO15	MIO21
MIO48	MIO41	MIO29	MIO35	MIO55	MIO61	MIO67	MIO74	MIO16	MIO22
MIO49	MIO42	MIO30	MIO36	MIO56	MIO62	MIO68	MIO75	MIO17	MIO23
MIO50	MIO43	MIO31	MIO37	MIO57	MIO63	MIO69	MIO76	MIO18	MIO24
MIO51	MIO44					MIO70	MIO77		MIO25



Title: TE0818 - Connector J3		
A4	Number: TE0818 6BE76-A	Rev. 01
Date: 2021-08-17	Copyright: Trenz Electronic GmbH	Page 7 of 31
Filename: J3.SchDoc		

1

2

3

4

A

A

B

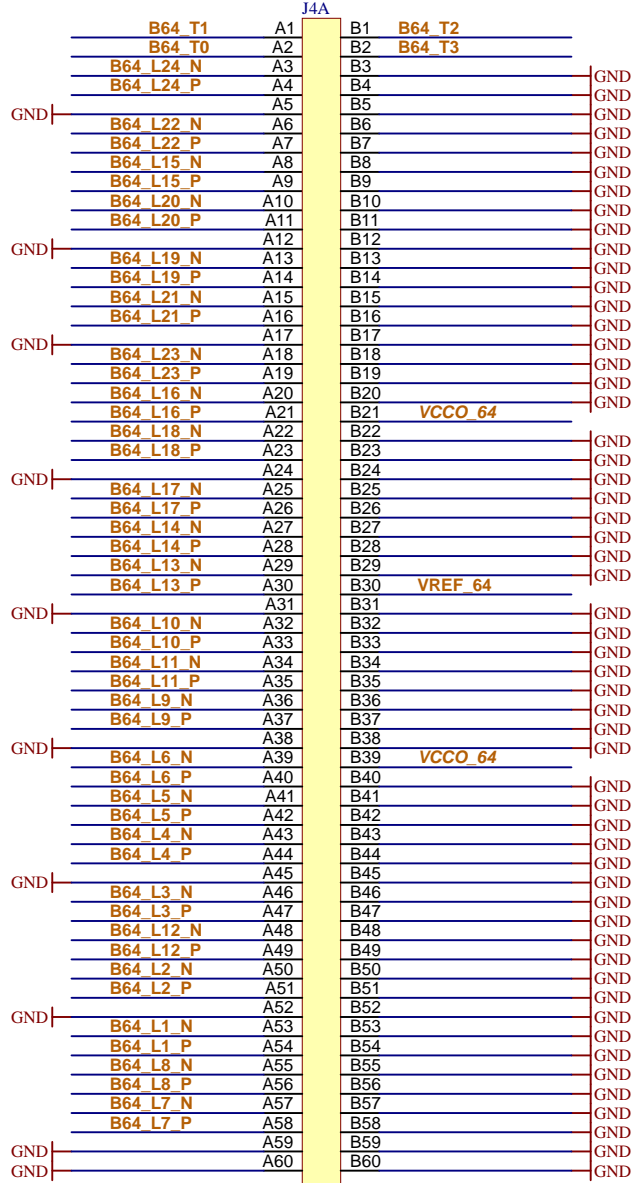
B

C

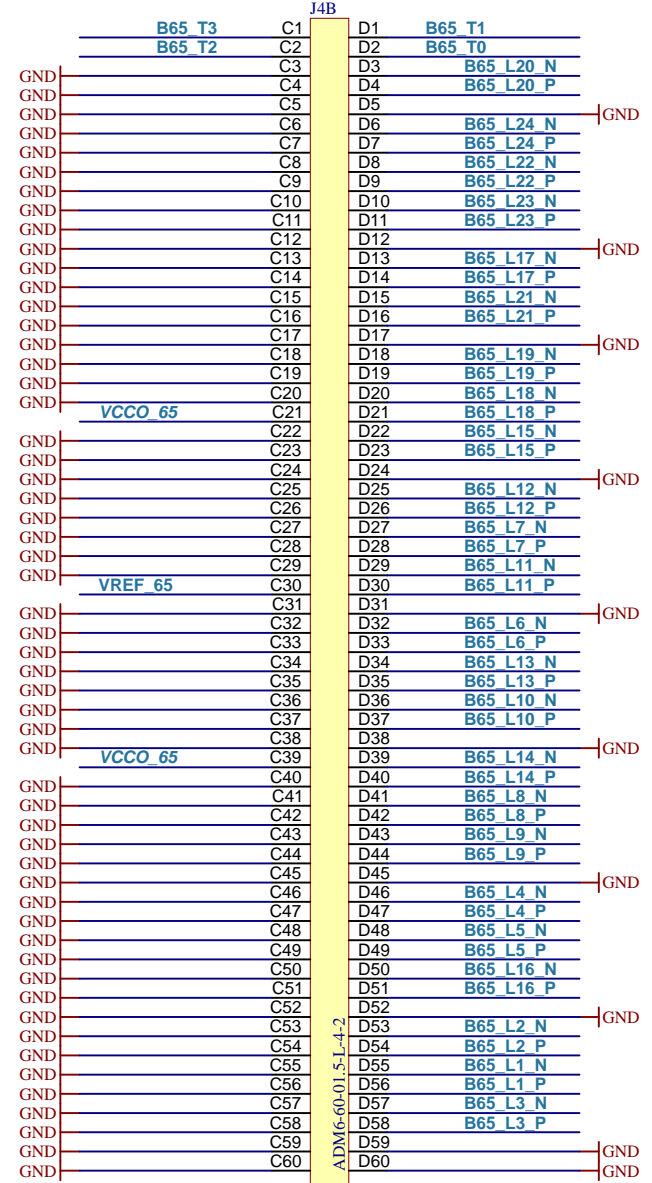
C

D

D



ADM6-60-01.5-L-4-2



ADM6-60-01.5-L-4-2



Title: TE0818 - Connector J4		
A4	Number: TE0818 6BE76-A	Rev. 01
Date: 2021-08-17	Copyright: Trenz Electronic GmbH	Page 8 of 31
Filename: J4.SchDoc		

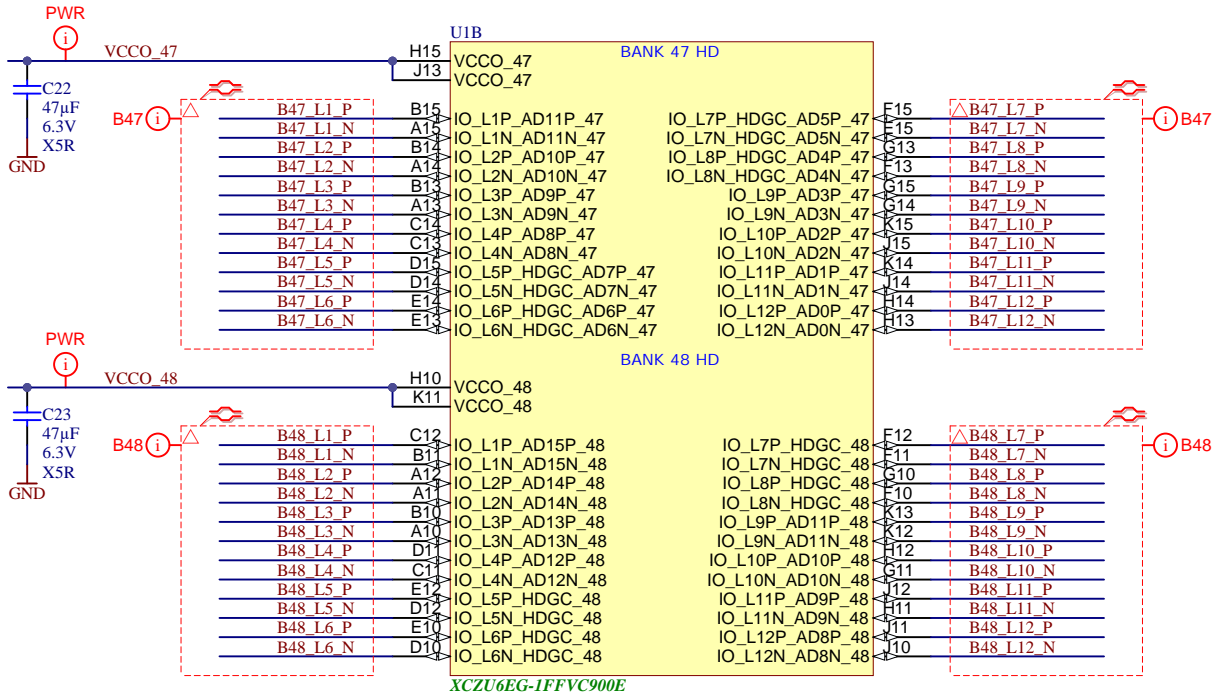
1

2

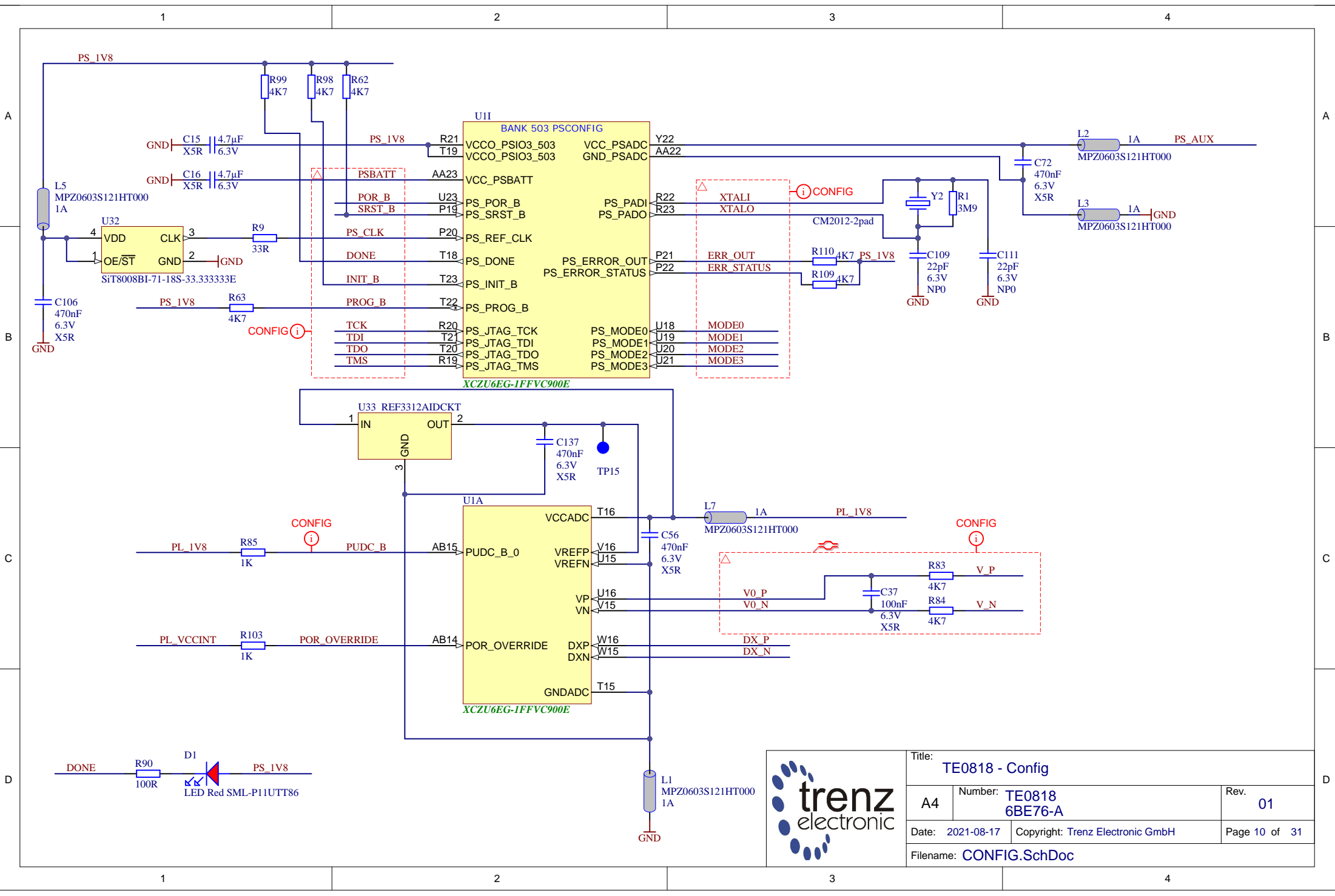
3

4

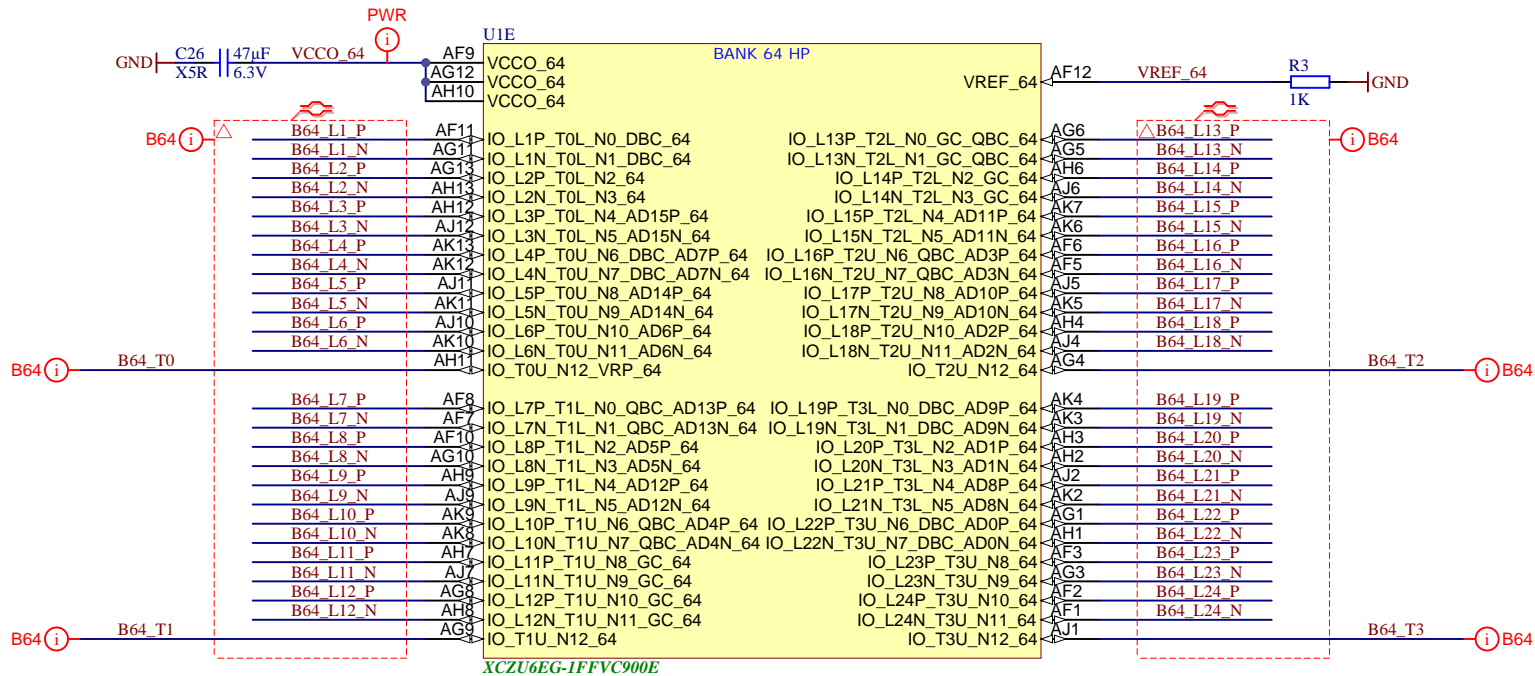




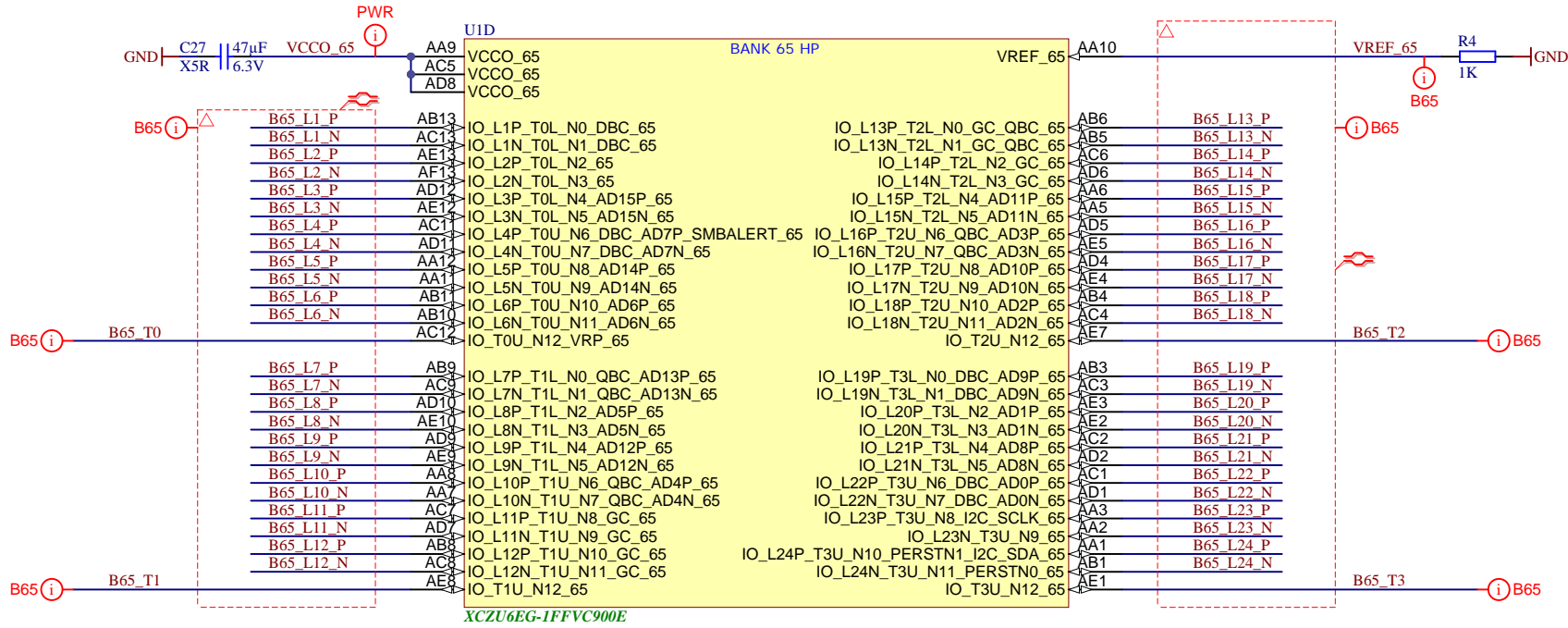
	Title: TE0818 - B47HD and B48HD		
	A4	Number: TE0818 6BE76-A	Rev. 01
	Date: 2021-08-17	Copyright: Trenz Electronic GmbH	Page 9 of 31
	Filename: B_HD.SchDoc		



Title: TE0818 - Config		
A4	Number: TE0818 6BE76-A	Rev. 01
Date: 2021-08-17	Copyright: Trenz Electronic GmbH	Page 10 of 31
Filename: CONFIG.SchDoc		



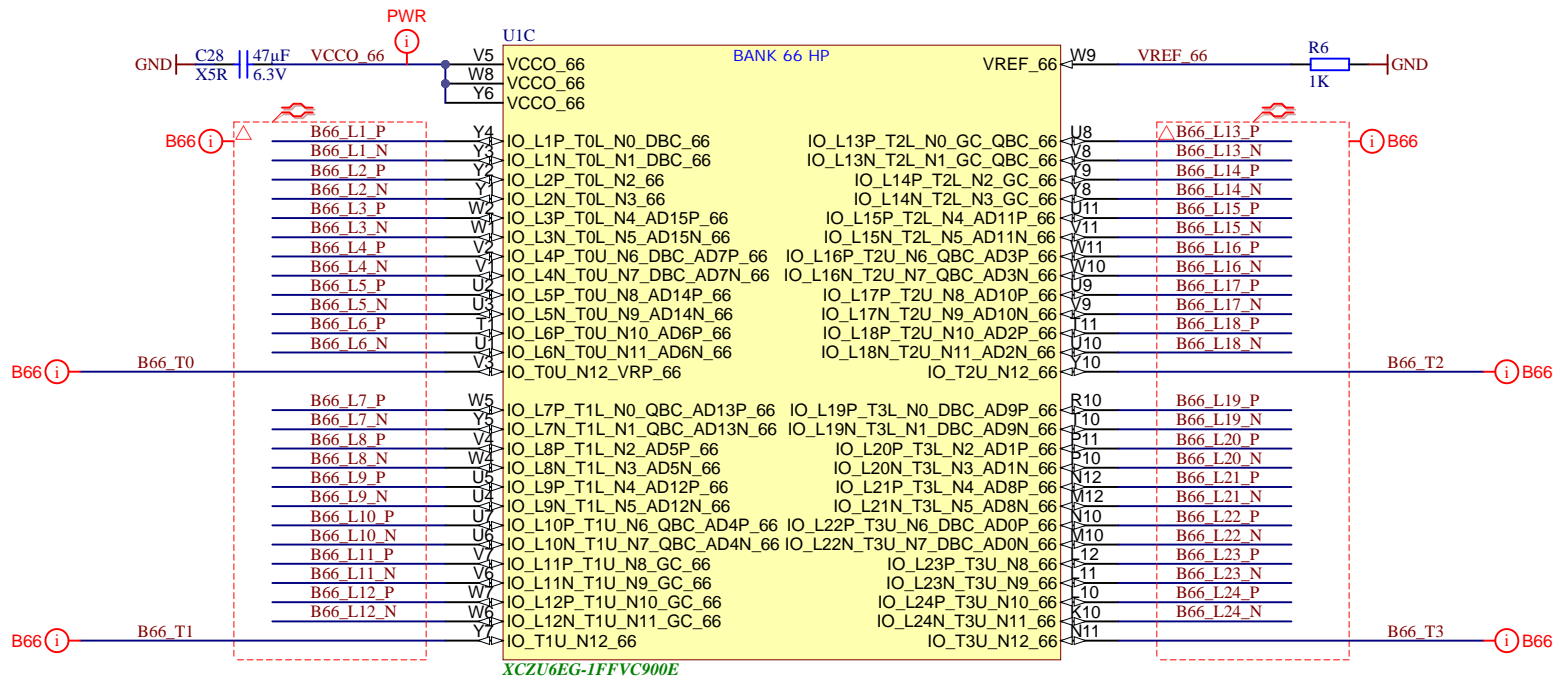

Title: <b>TE0818 - B64</b>		
A4	Number: <b>TE0818 6BE76-A</b>	Rev. <b>01</b>
Date: <b>2021-08-17</b>	Copyright: <b>Trenz Electronic GmbH</b>	Page <b>11</b> of <b>31</b>
Filename: <b>B64.SchDoc</b>		



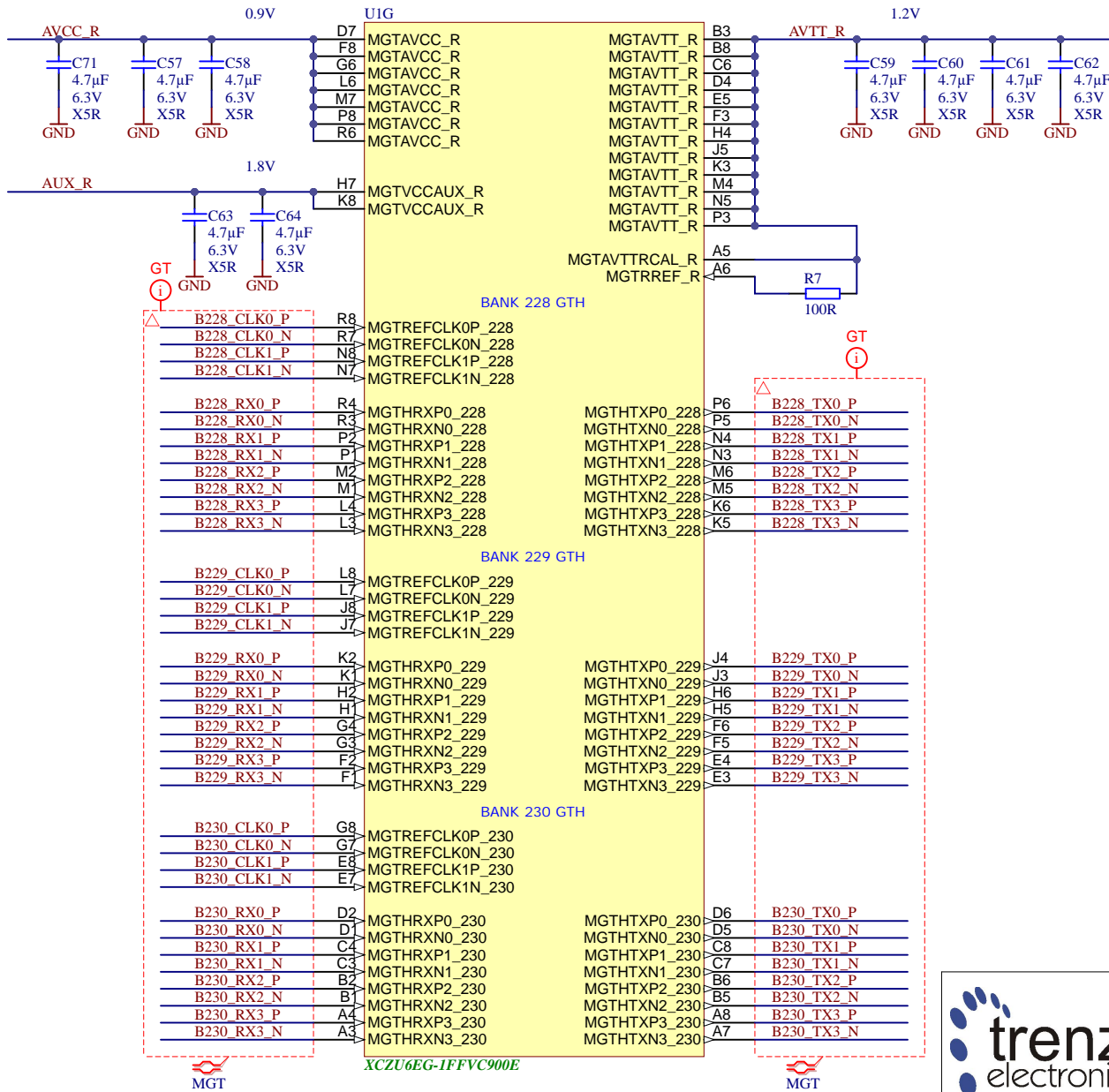
*XCZU6EG-1FFVC900E*



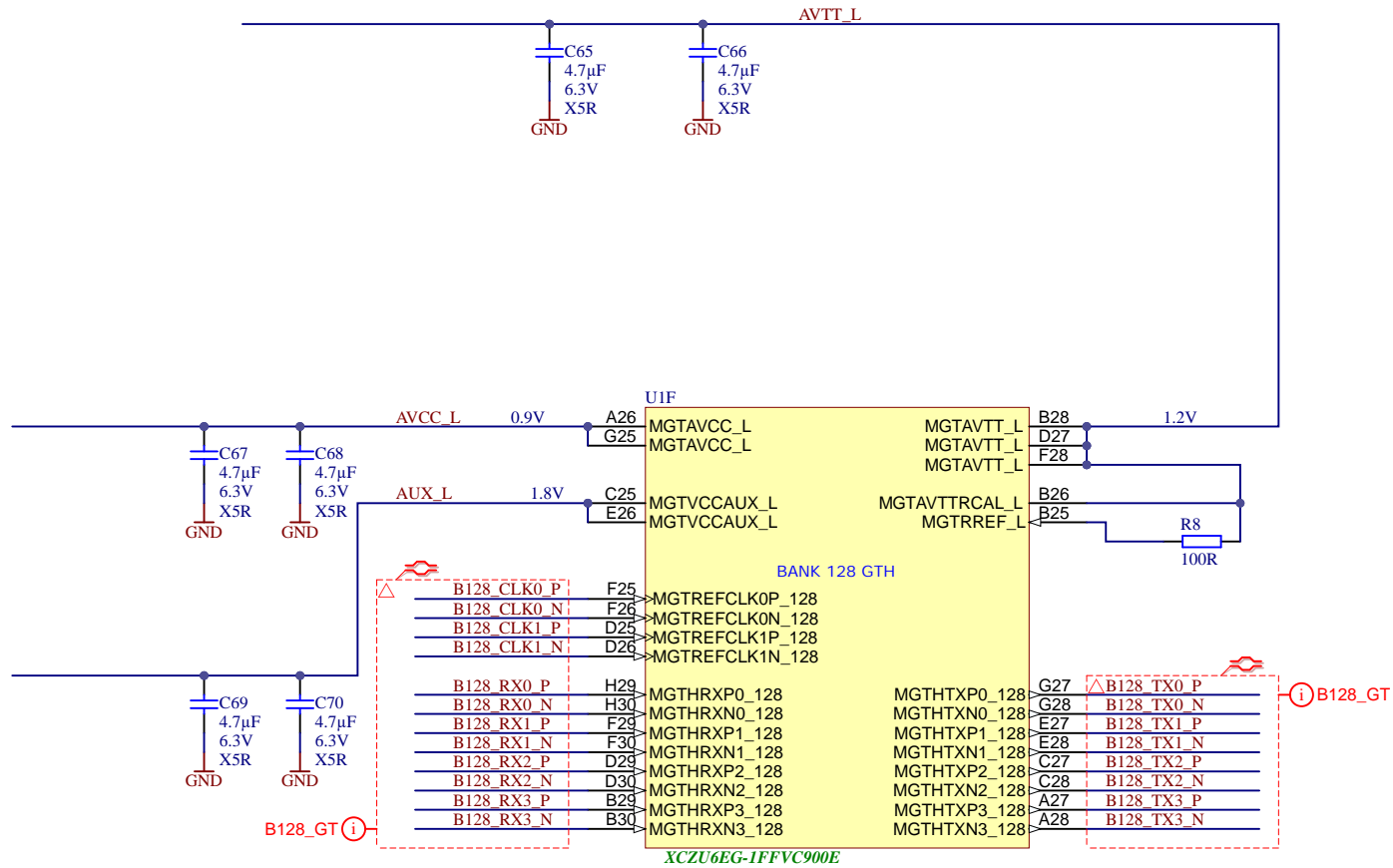
Title: TE0818 - B65		
A4	Number: TE0818 6BE76-A	Rev. 01
Date: 2021-08-17	Copyright: Trenz Electronic GmbH	Page 12 of 31
Filename: B65.SchDoc		





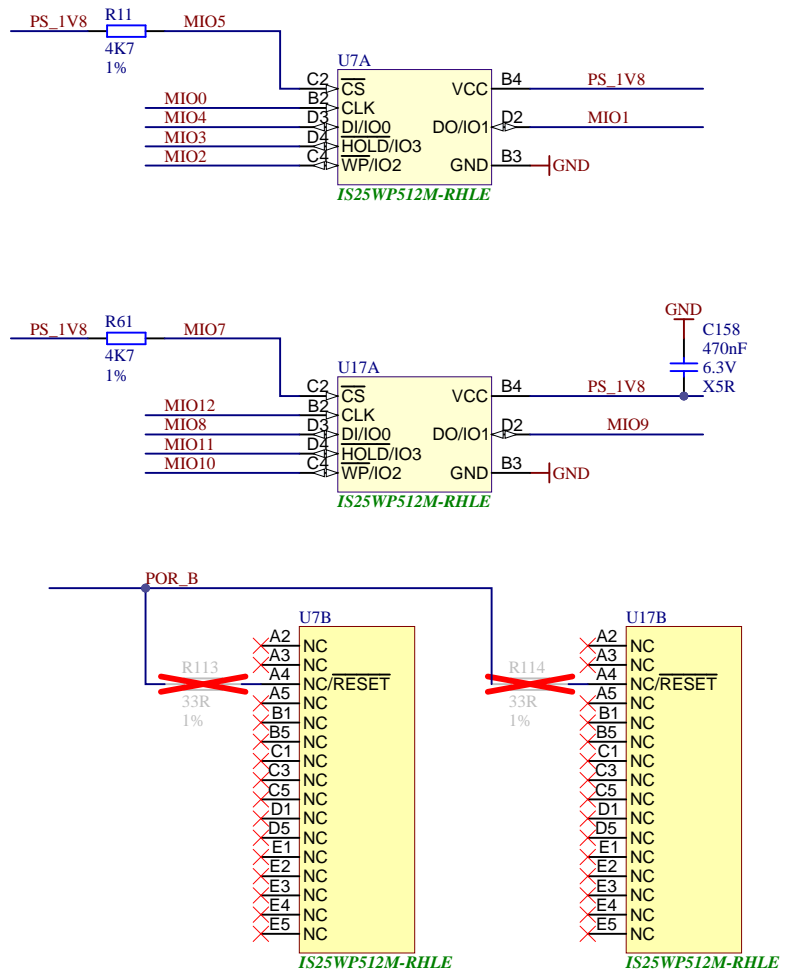
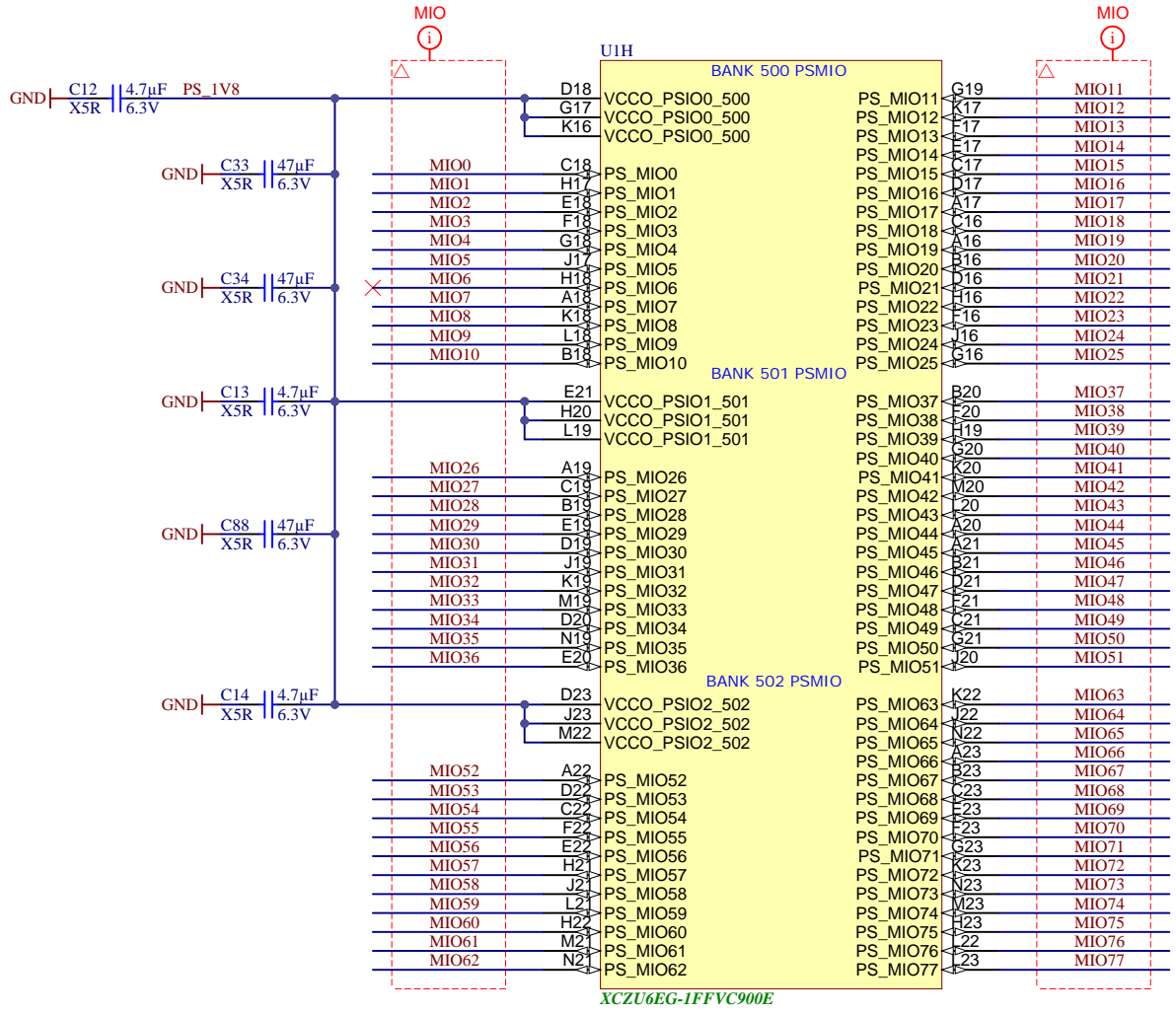
Title: <b>TE0818 - B66</b>		
A4	Number: <b>TE0818 6BE76-A</b>	Rev. <b>01</b>
Date: <b>2021-08-17</b>	Copyright: <b>Trenz Electronic GmbH</b>	
Page <b>13</b> of <b>31</b>		
Filename: <b>B66.SchDoc</b>		



Title: TE0818 - B228GTH_B229GTH_B230GTH		
A4	Number: TE0818 6BE76-A	Rev. 01
Date: 2021-08-17	Copyright: Trenz Electronic GmbH	Page 14 of 31
Filename: B_GT.SchDoc		

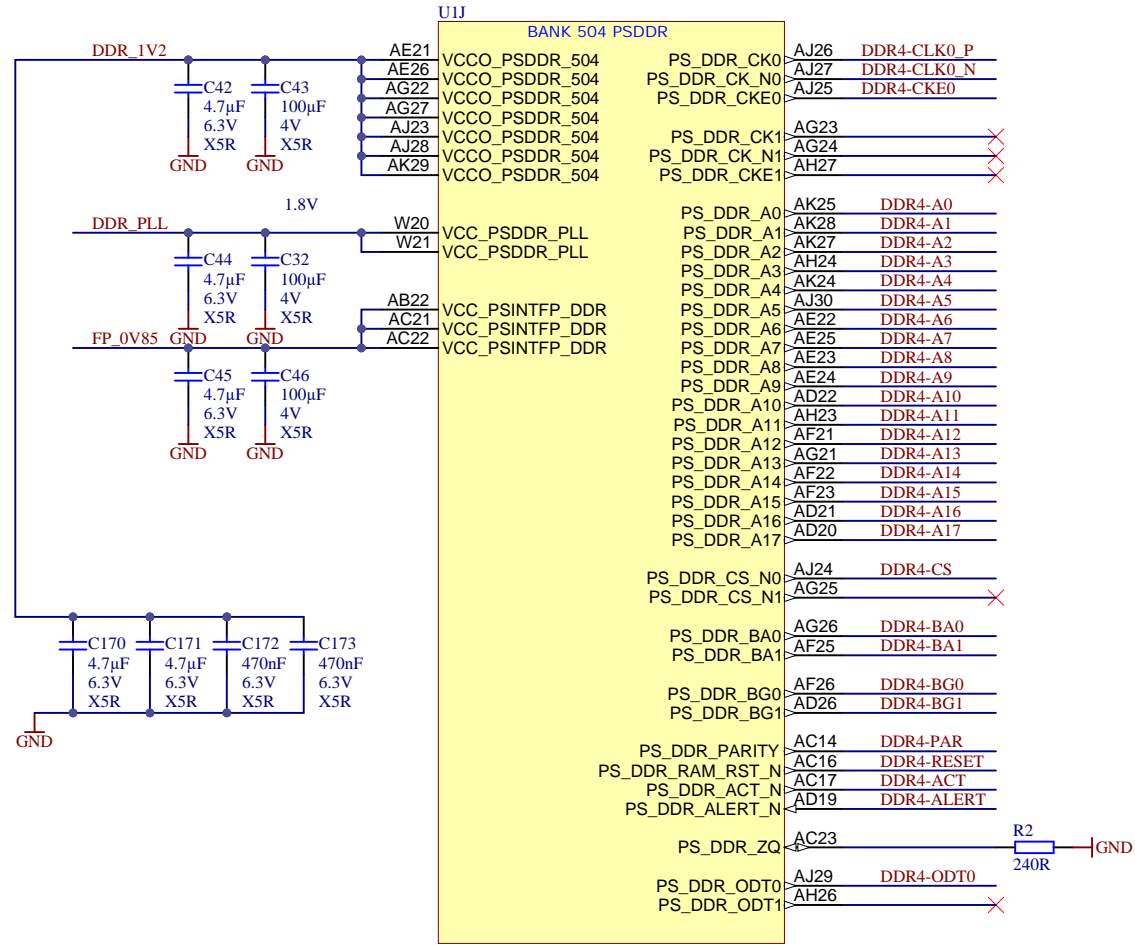


		Title: TE0818 - B128GTH	
		A4	Number: TE0818 6BE76-A
Date: 2021-08-17		Copyright: Trenz Electronic GmbH	
Filename: B_GT_2.SchDoc		Page 15 of 31	

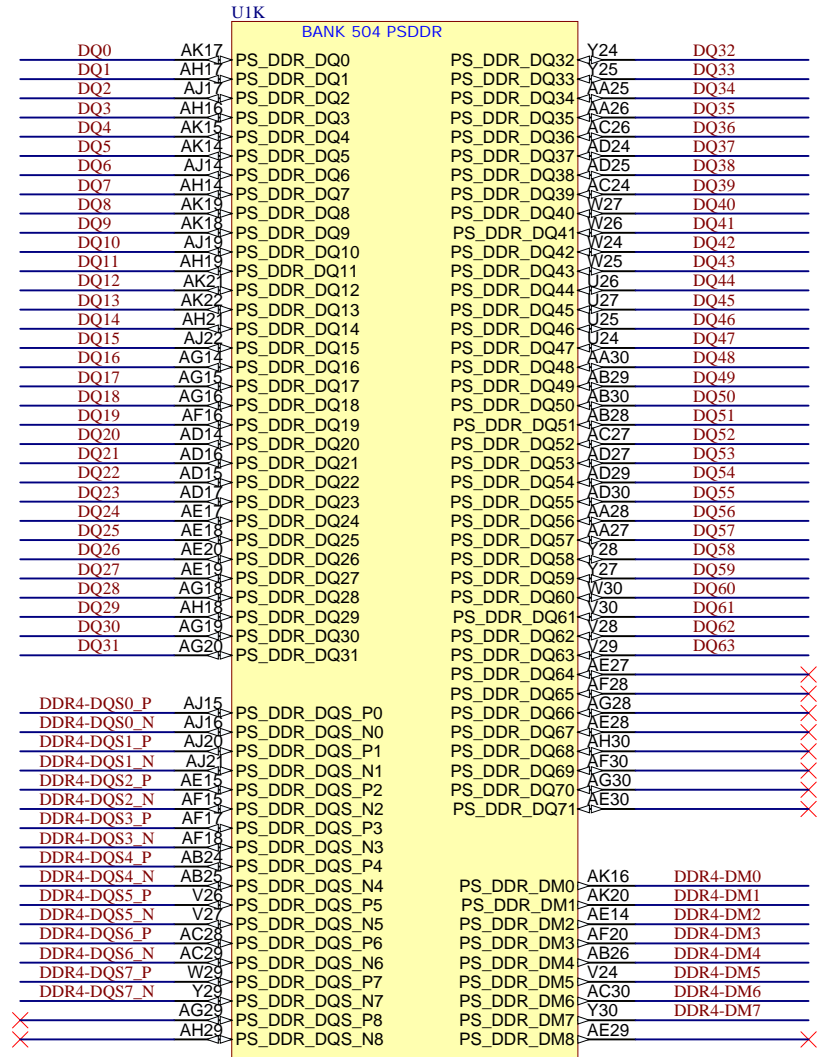


	Title: <b>TE0818 - MIO Banks</b>		
	A4	Number: <b>TE0818 6BE76-A</b>	Rev. <b>01</b>
	Date: <b>2021-08-17</b>	Copyright: <b>Trenz Electronic GmbH</b>	Page <b>16</b> of <b>31</b>
	Filename: <b>B_MIO.SchDoc</b>		





XCZU6EG-1FFVC900E



XCZU6EG-1FFVC900E



Title: TE0818 - PS_DDR		
A4	Number: TE0818 6BE76-A	Rev. 01
Date: 2021-08-17	Copyright: Trenz Electronic GmbH	Page 17 of 31
Filename: PS_DDR.SchDoc		

1

2

3

4

A

A

B

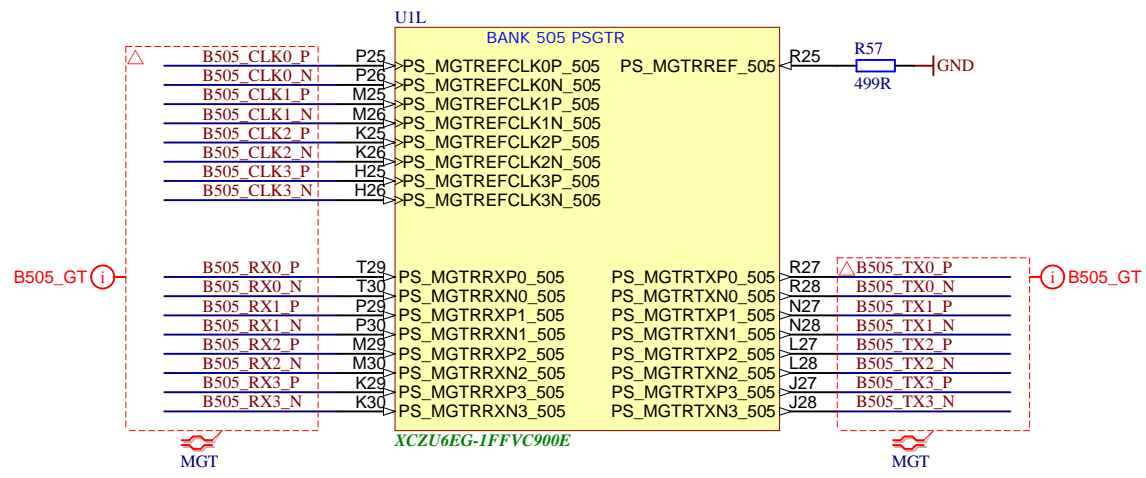
B


C

C

D

D



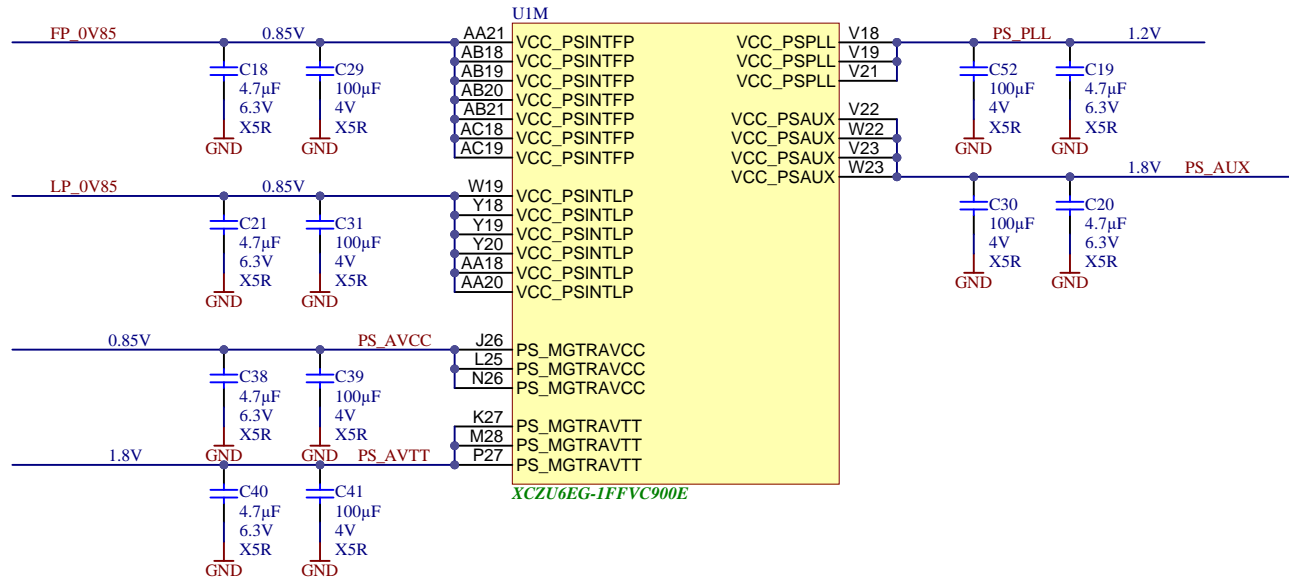
	Title: TE0818 - PS_GT		
	A4	Number: TE0818 6BE76-A	Rev. 01
	Date: 2021-08-17	Copyright: Trenz Electronic GmbH	Page 18 of 31
	Filename: B_PS_GT.SchDoc		


1

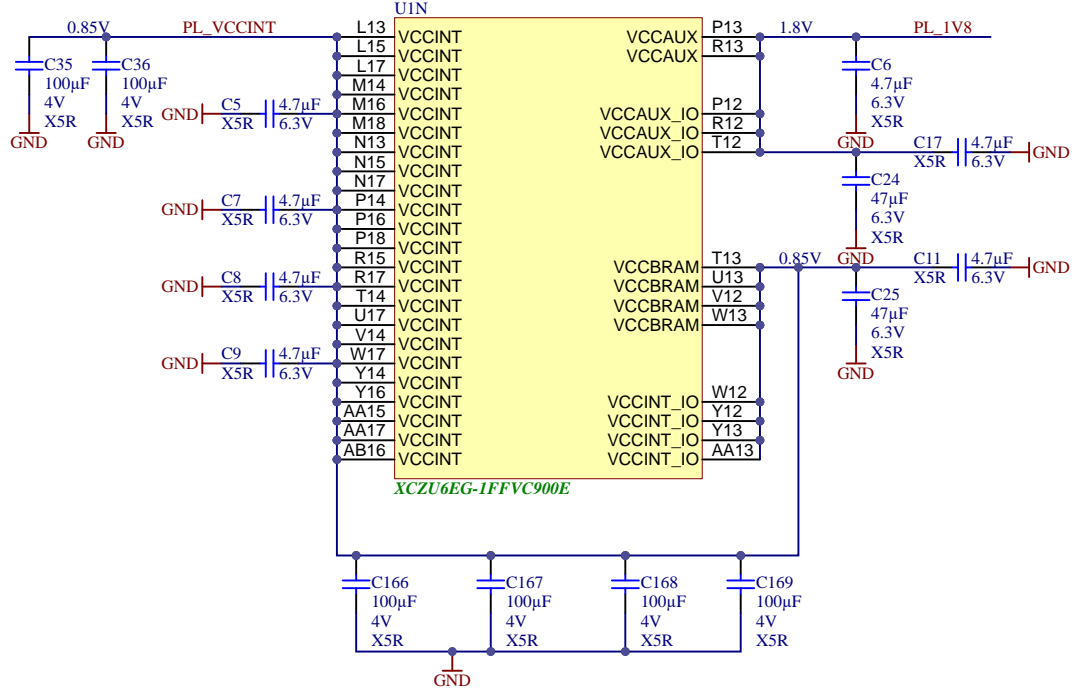
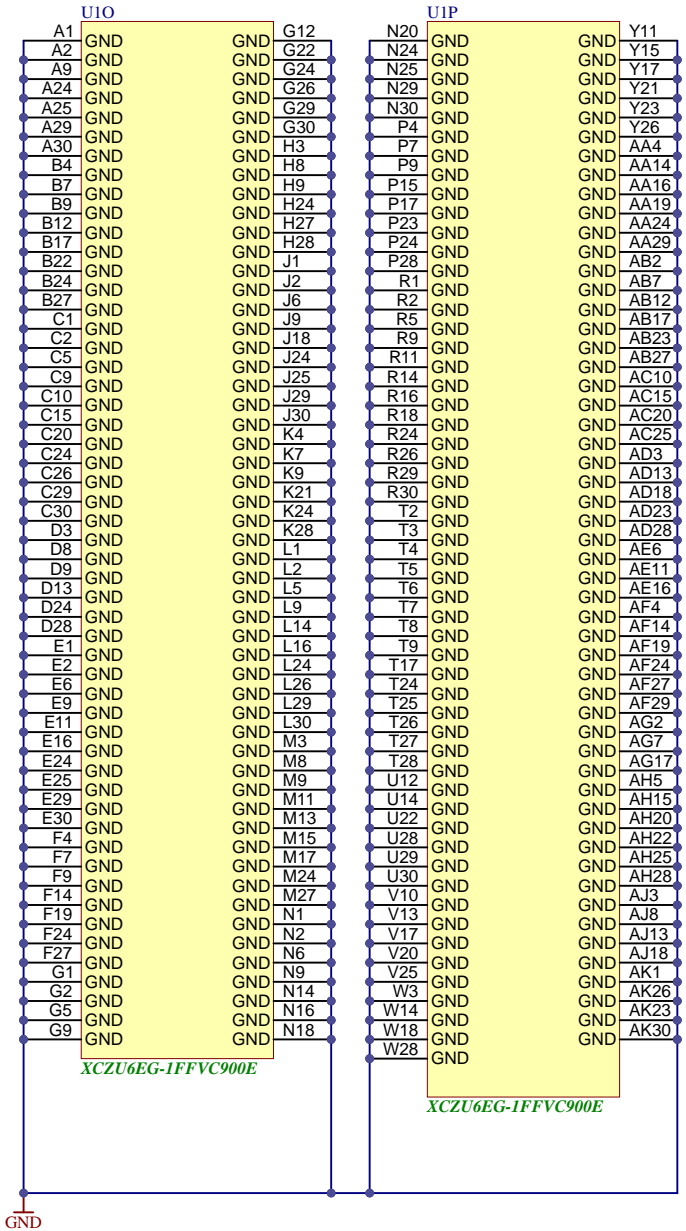
2

3

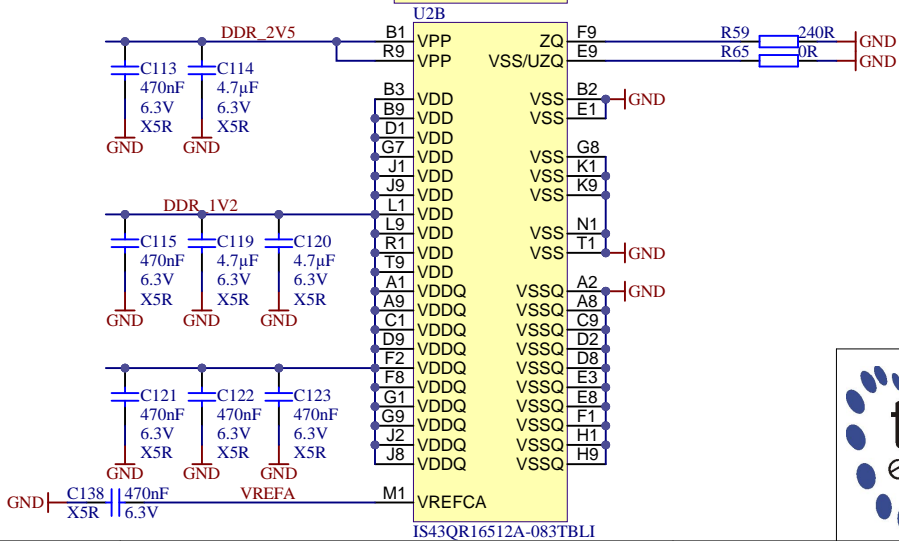
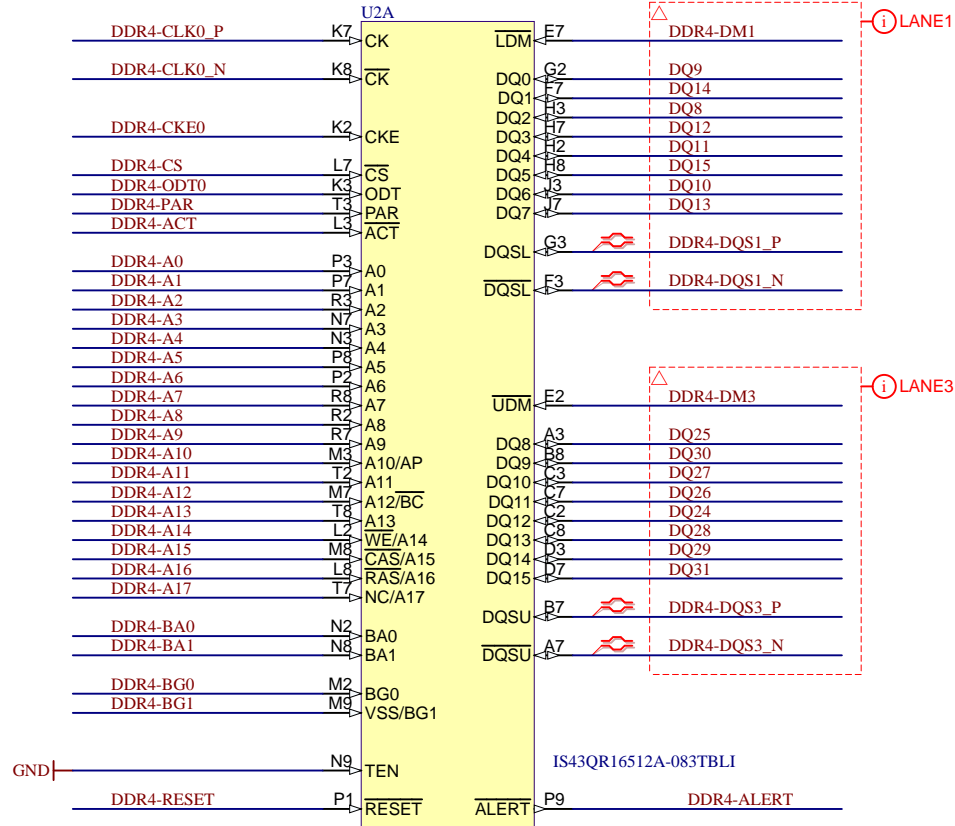
4



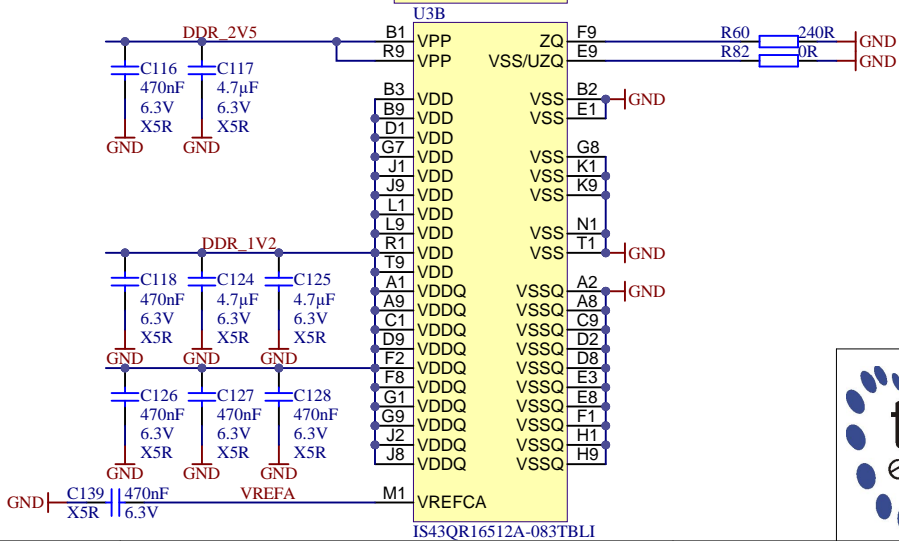
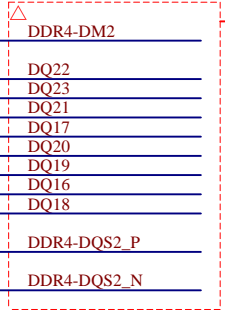
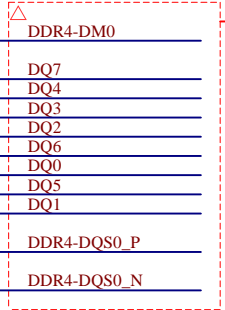
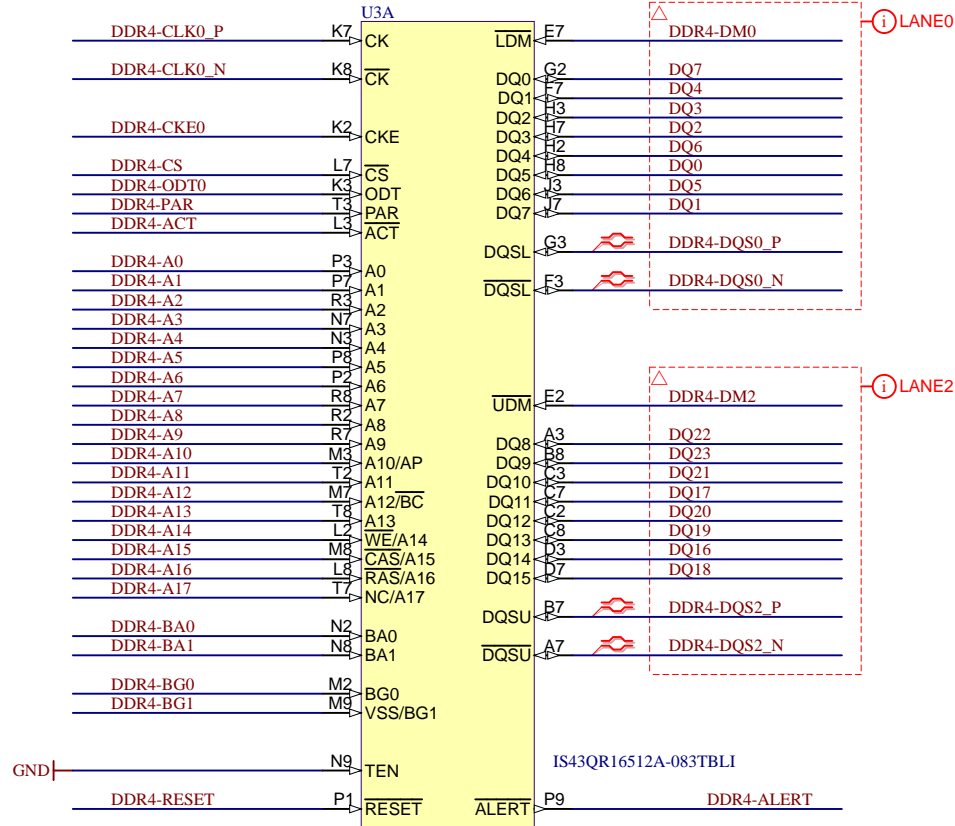
	Title: TE0818 - ZU_PS_POWER		
	A4	Number: TE0818 6BE76-A	Rev. 01
	Date: 2021-08-17	Copyright: Trenz Electronic GmbH	Page 19 of 31
	Filename: ZU_PS_POWER.SchDoc		



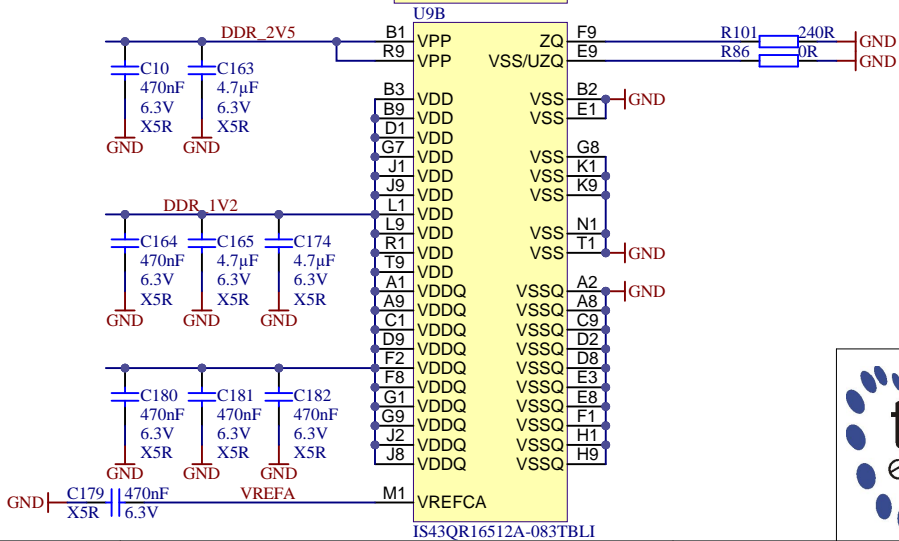
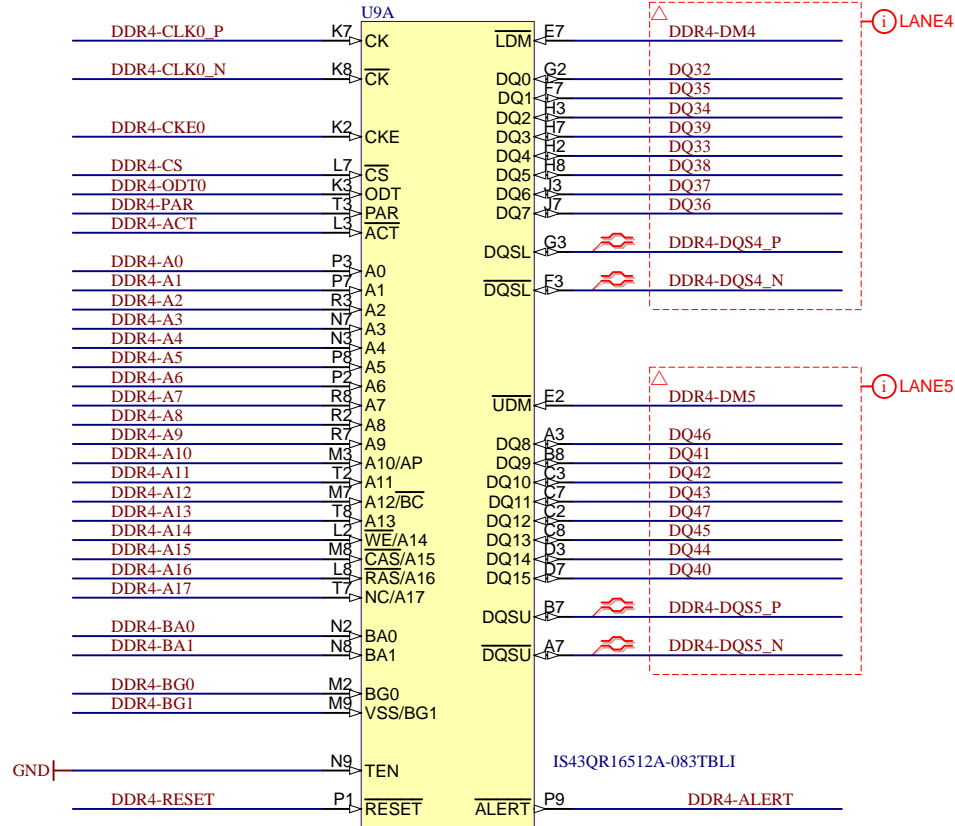
Title: TE0818 - ZU_POWER		
A4	Number: TE0818 6BE76-A	Rev. 01
Date: 2021-08-17	Copyright: Trenz Electronic GmbH	Page 20 of 31
Filename: ZU_POWER.SchDoc		



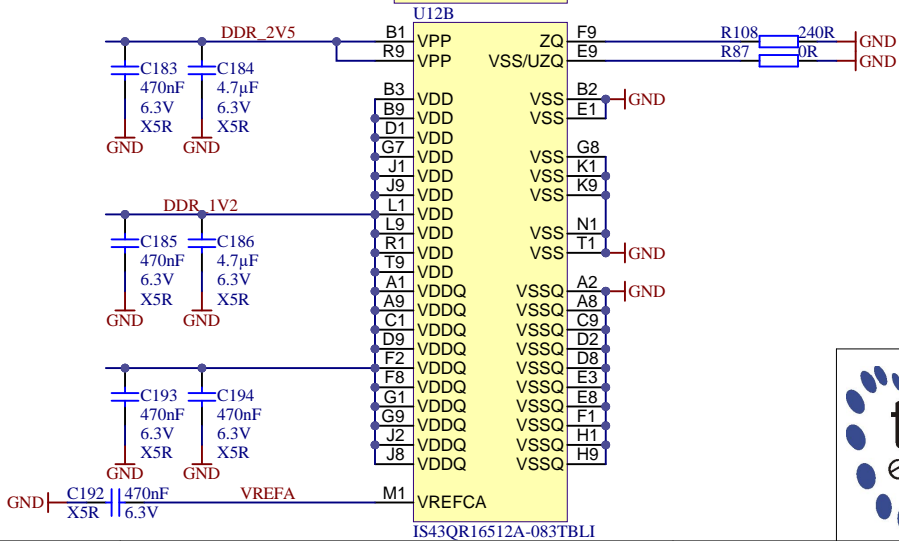
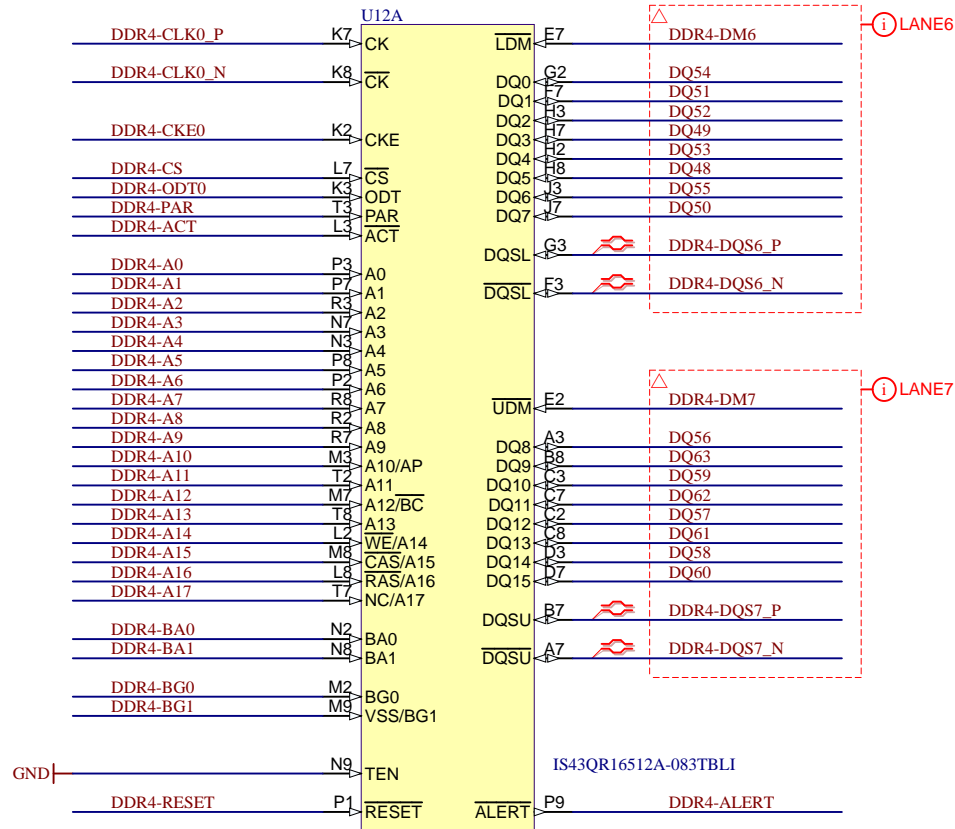
Title: TE0818 - DDR4_1_RAM		
A4	Number: TE0818 6BE76-A	Rev. 01
Date: 2021-08-17	Copyright: Trenz Electronic GmbH	Page 21 of 31
Filename: DDR4-RAM.SchDoc		



Title: TE0818 - DDR4_2_RAM		
A4	Number: TE0818 6BE76-A	Rev. 01
Date: 2021-08-17	Copyright: Trenz Electronic GmbH	Page 22 of 31
Filename: DDR4-RAM_2.SchDoc		

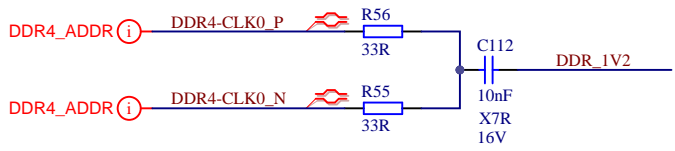
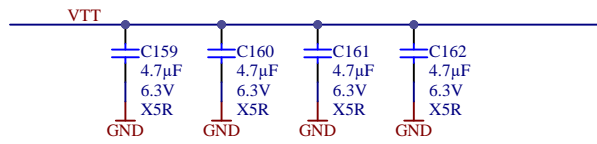
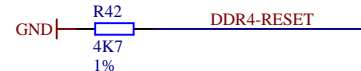
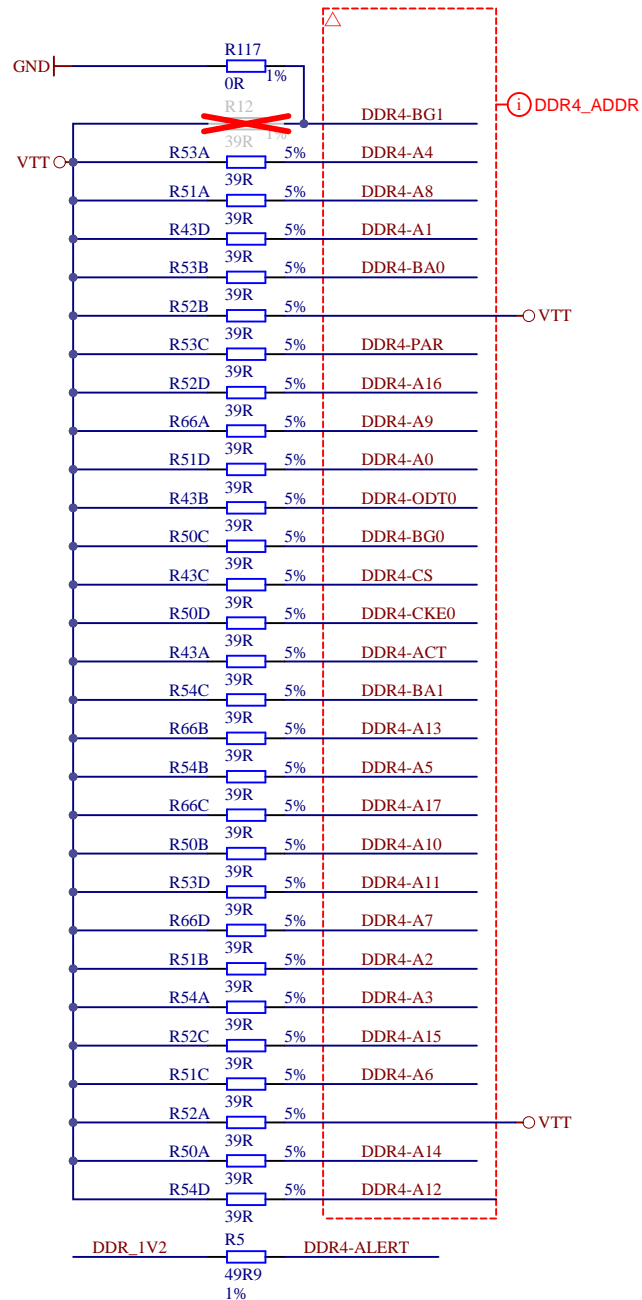


Title: TE0818 - DDR4_3_RAM		
A4	Number: TE0818 6BE76-A	Rev. 01
Date: 2021-08-17	Copyright: Trenz Electronic GmbH	Page 23 of 31
Filename: DDR4-RAM_3.SchDoc		

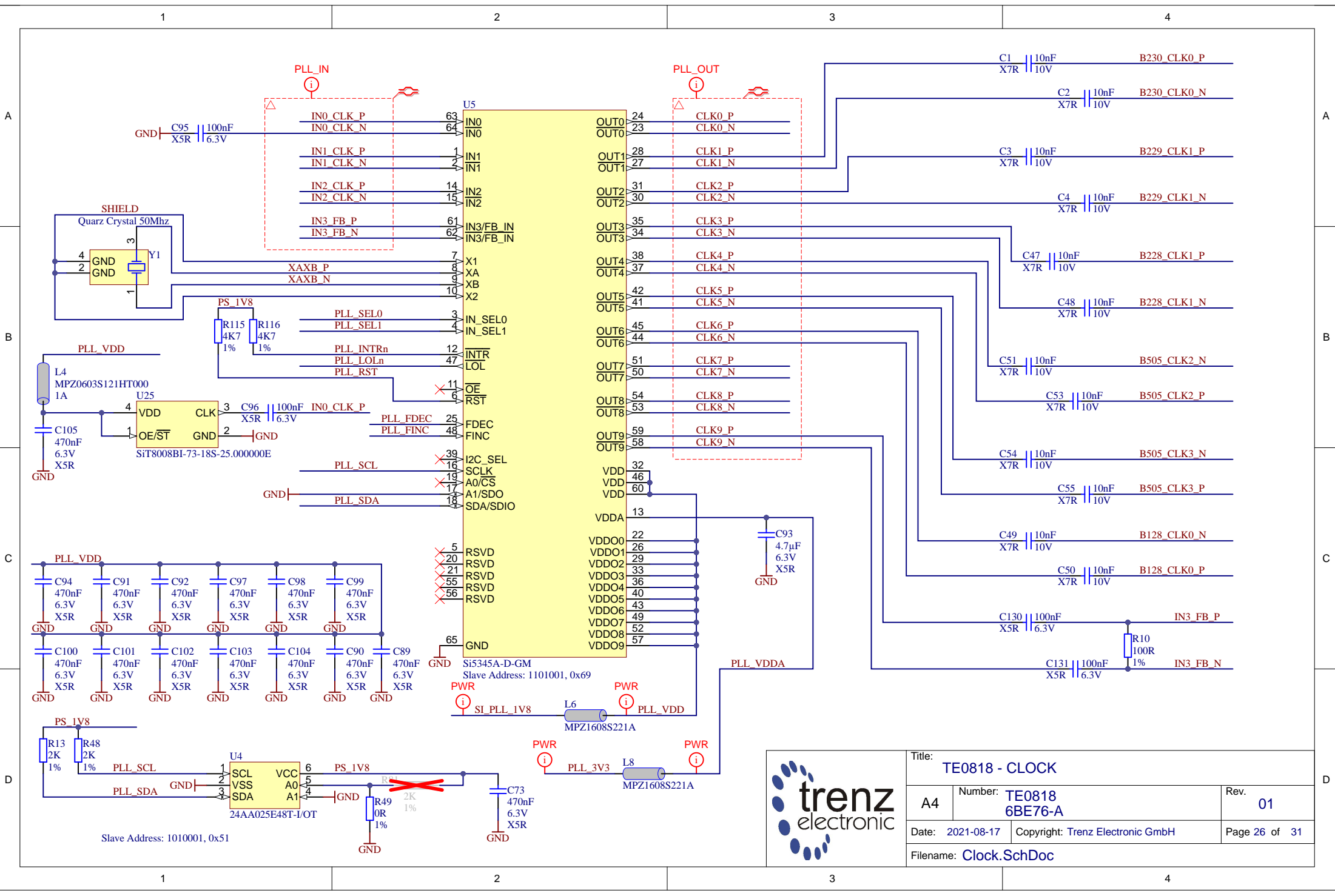


Title: TE0818 - DDR4_4_RAM		
A4	Number: TE0818 6BE76-A	Rev. 01
Date: 2021-08-17	Copyright: Trenz Electronic GmbH	Page 24 of 31
Filename: DDR4-RAM_4.SchDoc		

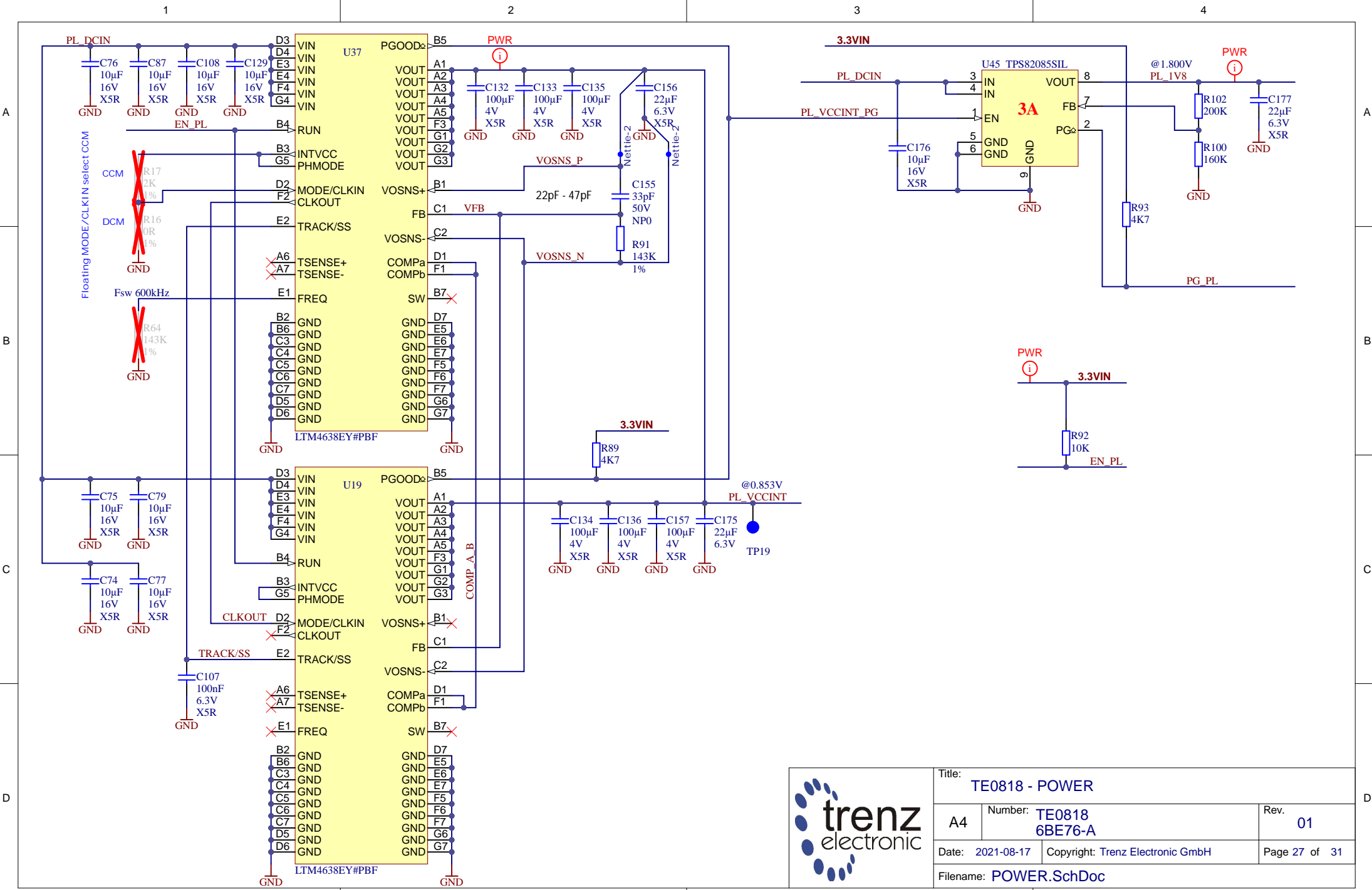





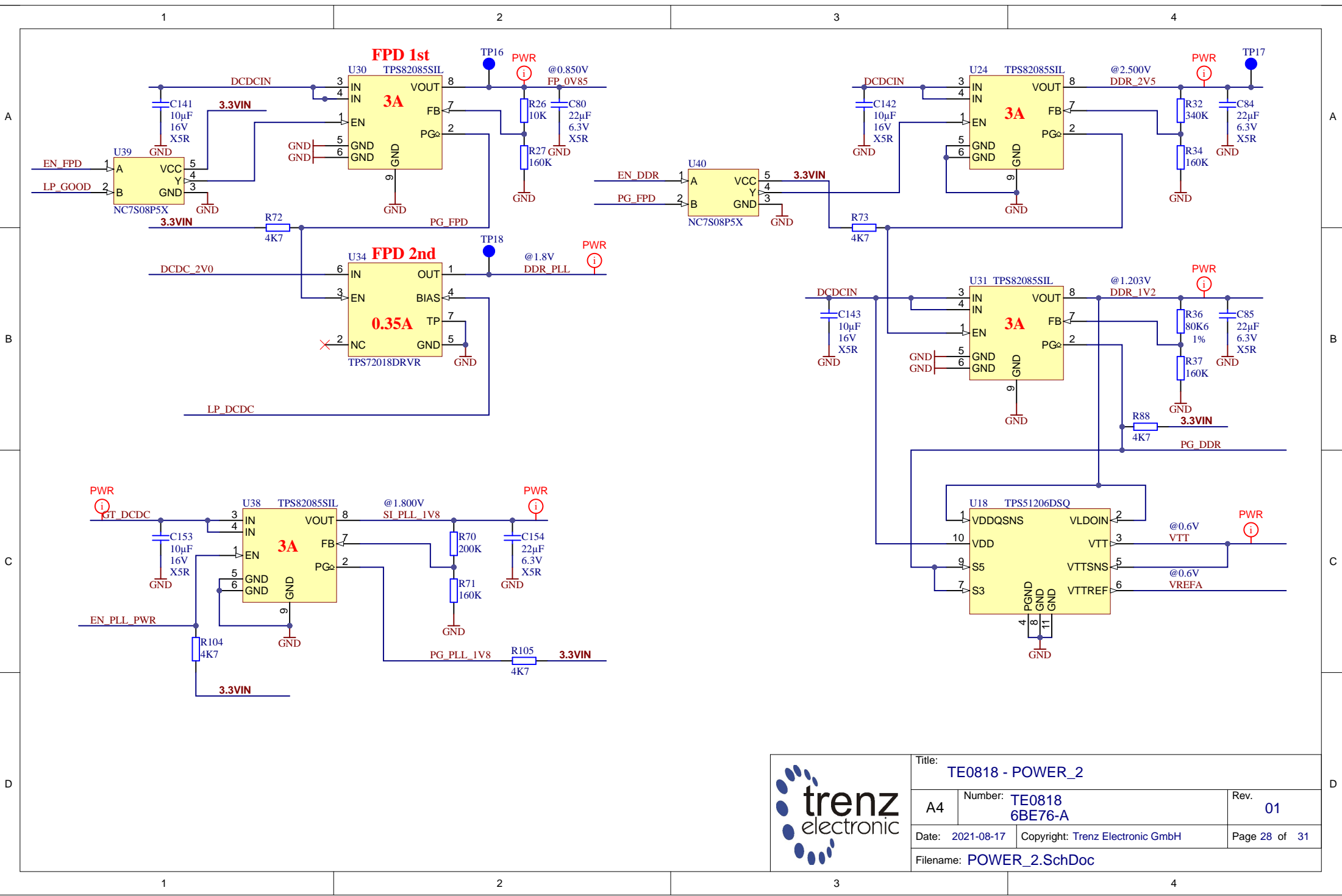
Title: TE0818 - DDR4_TERM		
A4	Number: TE0818 6BE76-A	Rev. 01
Date: 2021-08-17	Copyright: Trenz Electronic GmbH	Page 25 of 31
Filename: DDR4-TERM.SchDoc		




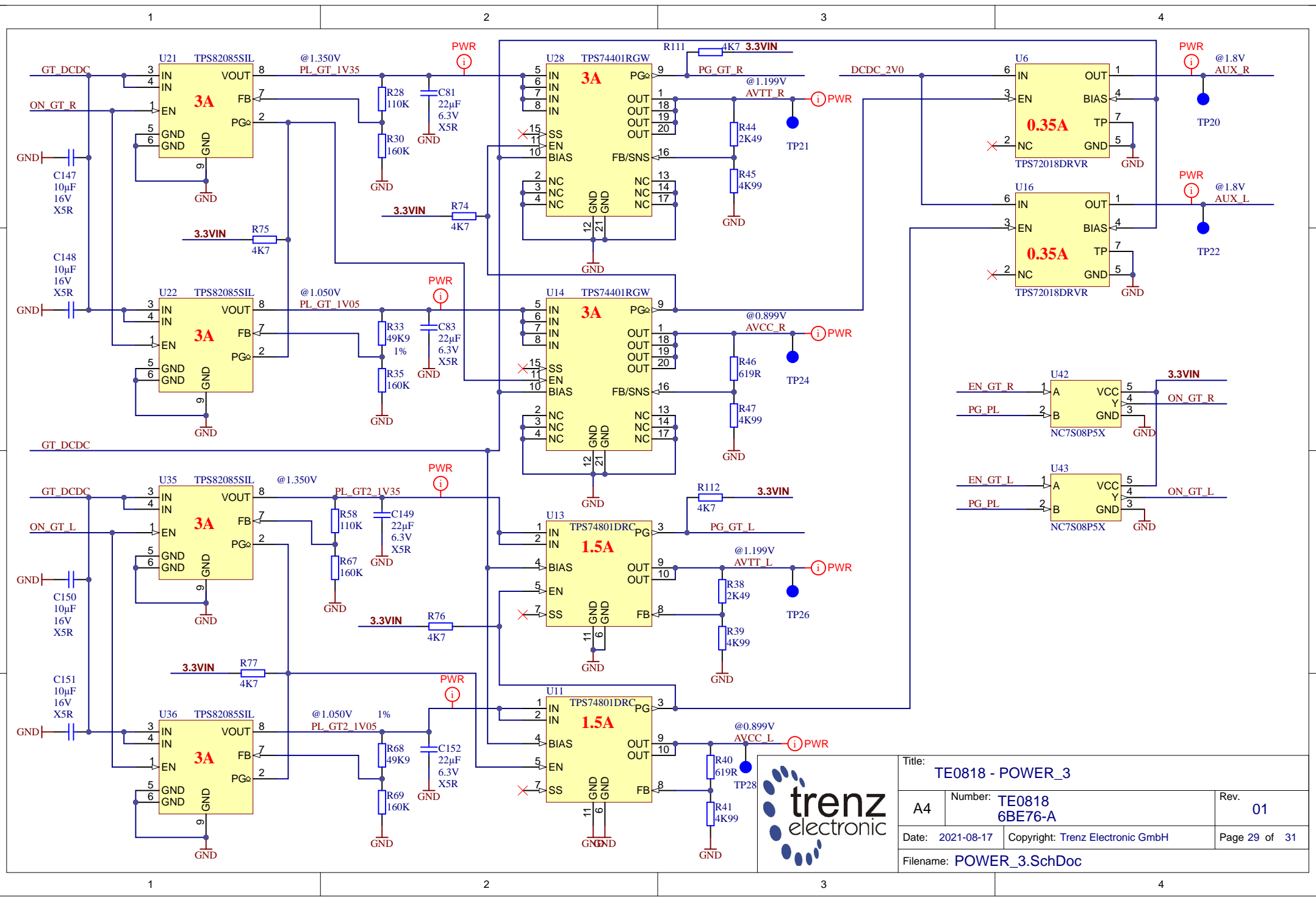
Title: TE0818 - CLOCK		
A4	Number: TE0818 6BE76-A	Rev. 01
Date: 2021-08-17	Copyright: Trenz Electronic GmbH	Page 26 of 31
Filename: Clock.SchDoc		



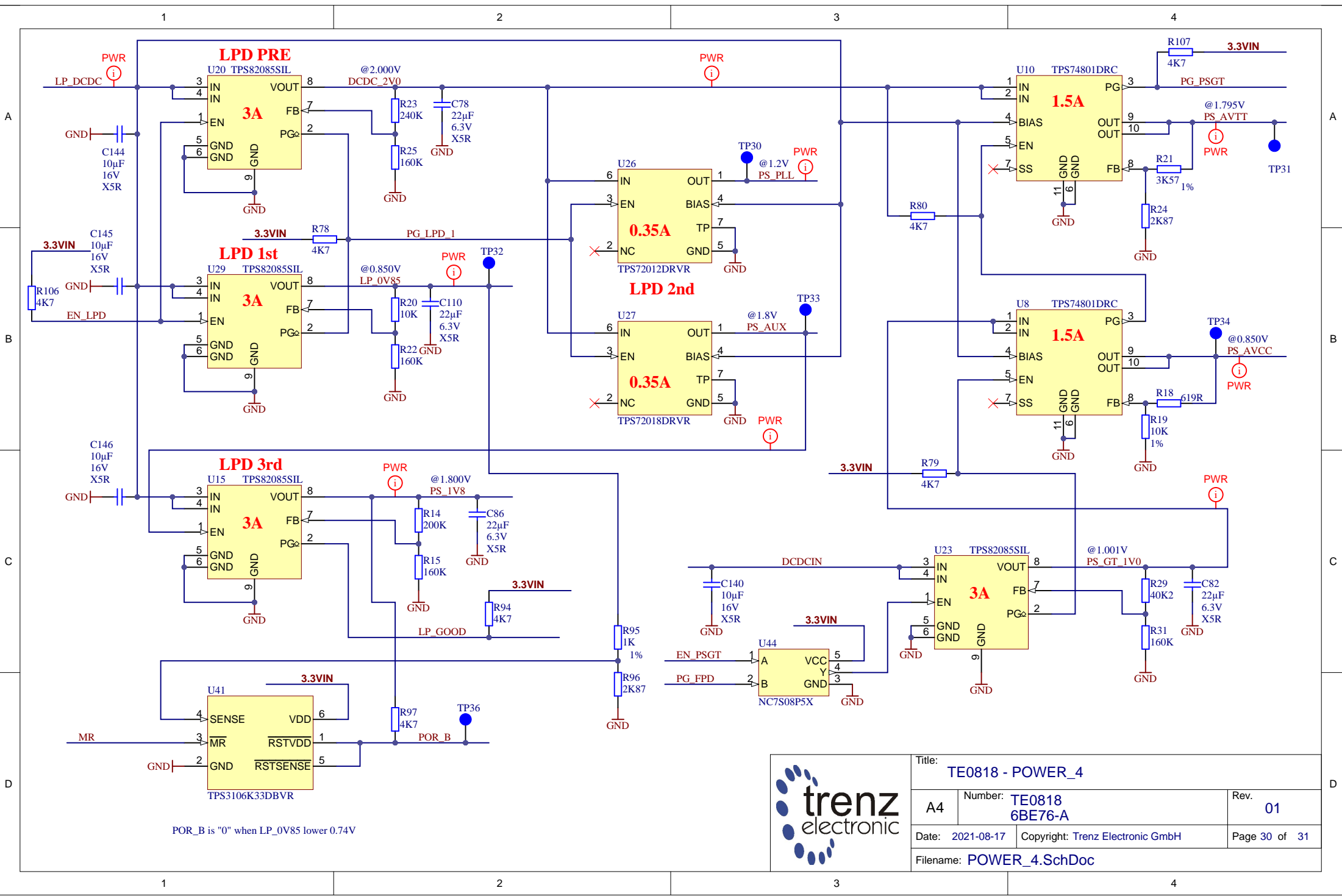
			Title: TE0818 - POWER	
			A4	Number: TE0818 6BE76-A
Date: 2021-08-17		Copyright: Trenz Electronic GmbH		Page 27 of 31
Filename: POWER.SchDoc				



		Title: TE0818 - POWER_2	
		A4	Number: TE0818 6BE76-A
Date: 2021-08-17		Copyright: Trenz Electronic GmbH	
Page 28 of 31		Page 28 of 31	
Filename: POWER_2.SchDoc			



Title: TE0818 - POWER_3		
A4	Number: TE0818 6BE76-A	Rev. 01
Date: 2021-08-17	Copyright: Trenz Electronic GmbH	Page 29 of 31
Filename: POWER_3.SchDoc		



Title: TE0818 - POWER_4		
A4	Number: TE0818 6BE76-A	Rev. 01
Date: 2021-08-17	Copyright: Trenz Electronic GmbH	Page 30 of 31
Filename: POWER_4.SchDoc		

POR\_B is "0" when LP\_OV85 lower 0.74V

1

2

3

4

A

A

B

B


C

C

D

D

REV	DATE	Description	
-01	2021-05	Initial revision	VT

	Title: <b>TE0818 - Changes list</b>		
	A4	Number: <b>TE0818 6BE76-A</b>	Rev. <b>01</b>
	Date: <b>2021-08-17</b>	Copyright: <b>Trenz Electronic GmbH</b>	Page <b>31</b> of <b>31</b>
	Filename: <b>Revision_Changes.SchDoc</b>		

1

2

3

4