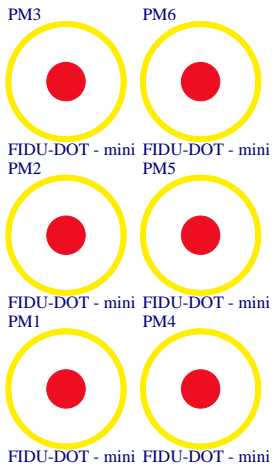
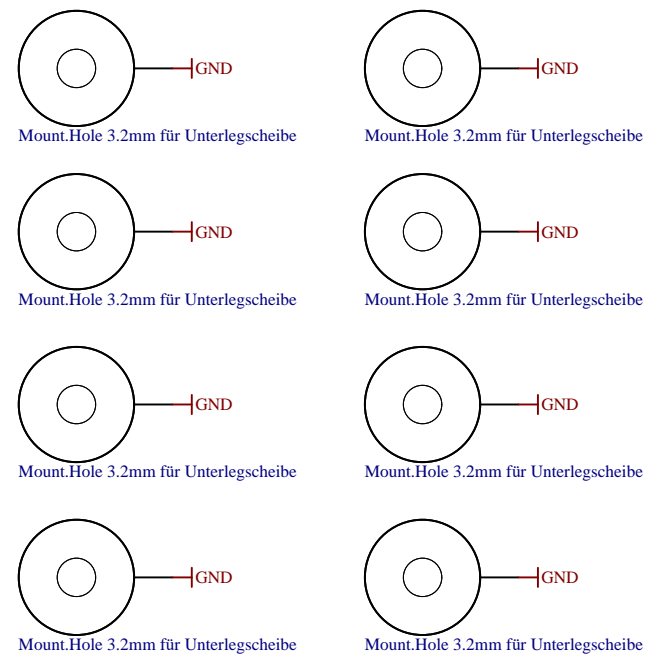


U_J1 J1.SchDoc	U_B_PS_GT B_PS_GT.SchDoc	U_DDR4-TERM DDR4-TERM.SchDoc
U_J2 J2.SchDoc	U_PS_DDR PS_DDR.SchDoc	U_ZU_POWER ZU_POWER.SchDoc
U_J3 J3.SchDoc	U_B_MIO B_MIO.SchDoc	U_ZU_PS_POWER ZU_PS_POWER.SchDoc
U_J4 J4.SchDoc	U_B_HD B_HD.SchDoc	U_POWER POWER.SchDoc
U_DDR4-TERM DDR4-TERM.SchDoc	U_Clock Clock.SchDoc	U_POWER_2 POWER_2.SchDoc
U_B64 B64.SchDoc	U_CONFIG CONFIG.SchDoc	U_POWER_3 POWER_3.SchDoc
U_B65 B65.SchDoc	U_DDR4-RAM DDR4-RAM.SchDoc	U_POWER_4 POWER_4.SchDoc
U_B66 B66.SchDoc	U_DDR4-RAM_2 DDR4-RAM_2.SchDoc	U_RC Revision_Changes.SchDoc
U_B_GT B_GT.SchDoc	U_DDR4-RAM_3 DDR4-RAM_3.SchDoc	U_TE0818-Overview TE0818-Overview.SchDoc
U_B_GT_2 B_GT_2.SchDoc	U_DDR4-RAM_4 DDR4-RAM_4.SchDoc	
U_Legal Notices Modules Legal Notices Modules.SchDoc	U_Power_Diagram.SchDoc Power_Diagram.SchDoc	

Special notes:

U41 Power supervisor TPS3106K33DBVR replaced by Schotkky diodes SBAS70-04LT1G



Serial
Serialnummer 6,3 x 6.3mm

MECHI
TE Address Overlay

LOGO ADDRESS

LOGO1
TE Logo PRINT Layer

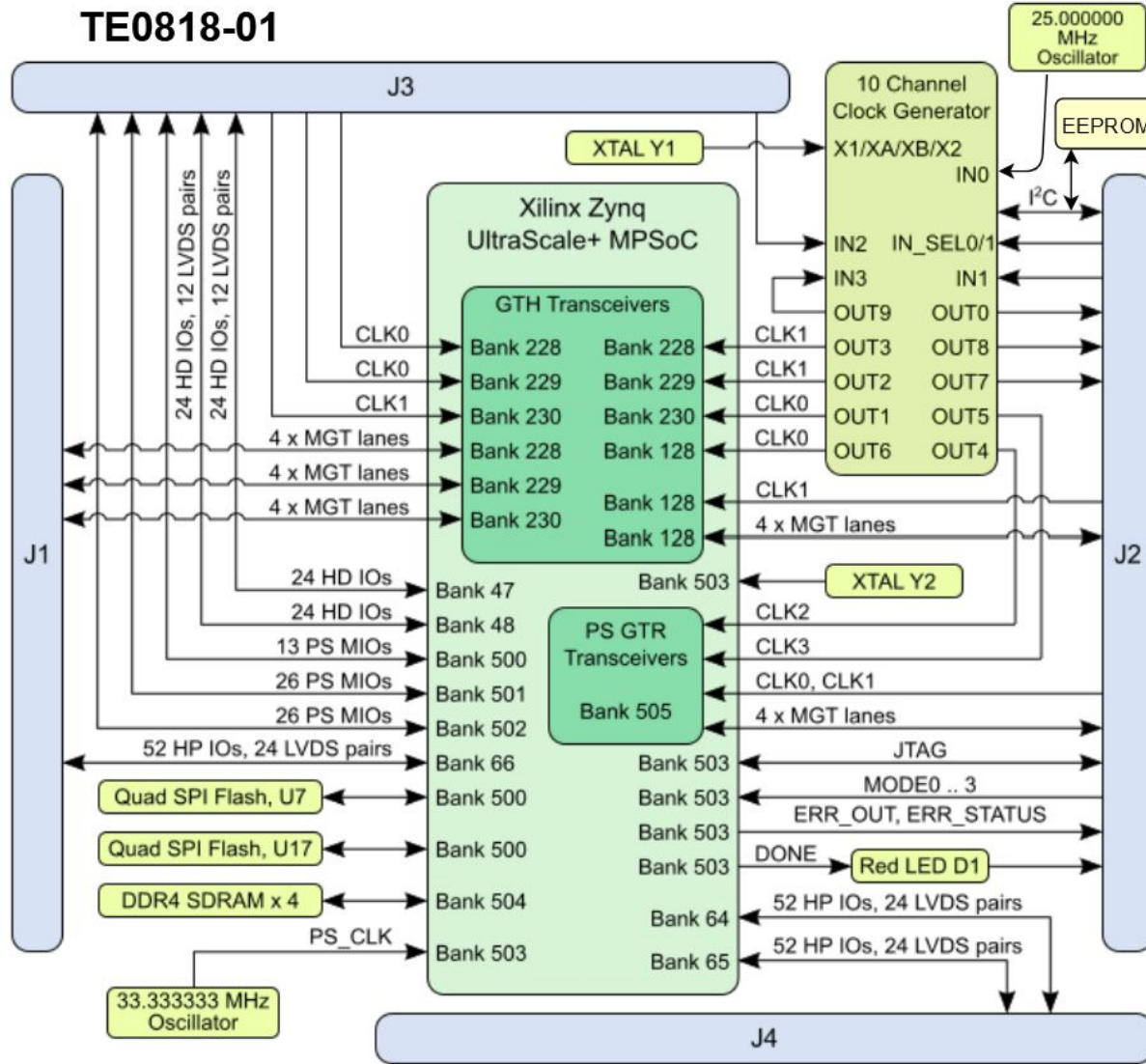
LOGO PRINT

Design drawn by:	VT
Checked by:	IG
Assembly variant:	9BI46-X
Created by:	VT
Modified by:	VT
Modified at:	2021-05-19

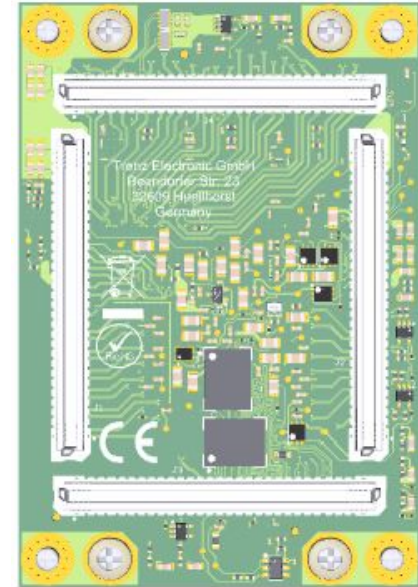
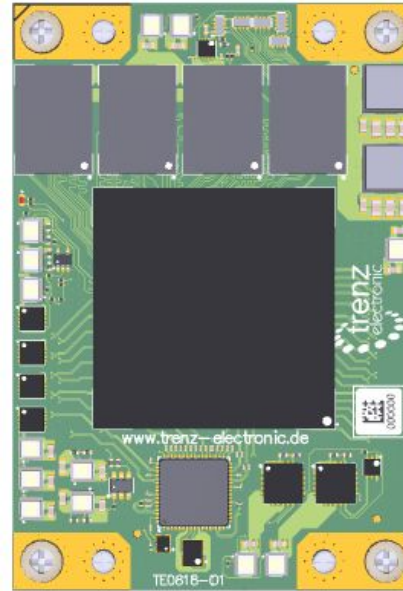
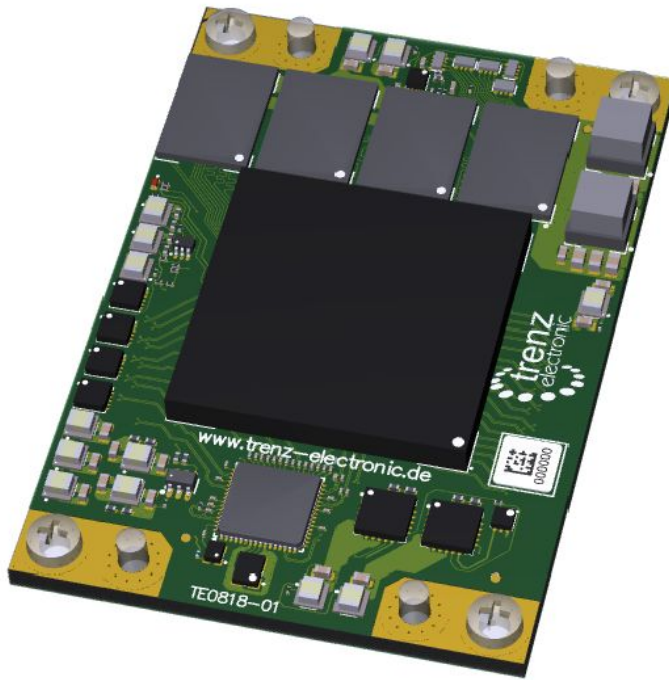


Title: TE0818		
A4	Number: TE0818 9BI46-X	Rev. 01
Date: 2021-08-17	Copyright: Trenz Electronic GmbH	Page 1 of 31
Filename: TE0818.SchDoc		

TE0818-01




Title: Module TE0818 - System Overview		
A4	Number: TE0818 9BI46-X	Rev. 01
Date: 2021-08-17	Copyright: Trenz Electronic GmbH	Page 2 of 31
Filename: TE0818-Overview.SchDoc		



Regarding the usage of our schematics and alike documentation for Trenz module TE0818.

Project is protected under copyright and we strongly and strictly prohibit the reverse engineering or recreation, even if the design is just adapted or modified. TE0818 is protected under such right and in case of plagiarism we will have to do anything necessary in order to protect our assets.

Schematics and other handouts serve for informational purposes only!

	Title: TE0818		
	A4	Number: TE0818 9BI46-X	Rev. 01
	Date: 2021-08-17	Copyright: Trenz Electronic GmbH	Page 3 of 31
	Filename: Legal Notices Modules.SchDoc		

1

2

3

4

A

A

B

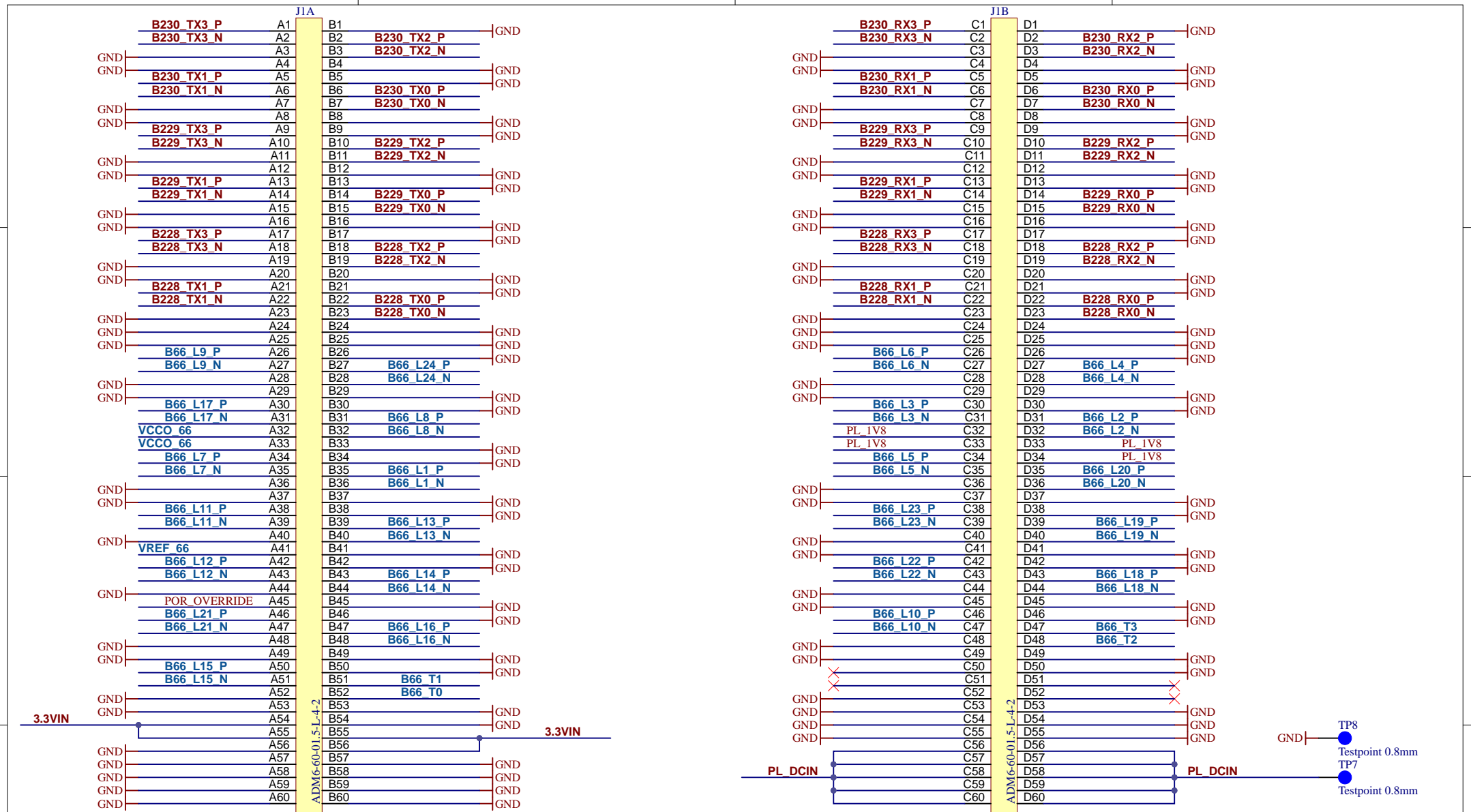
B

C

C

D

D



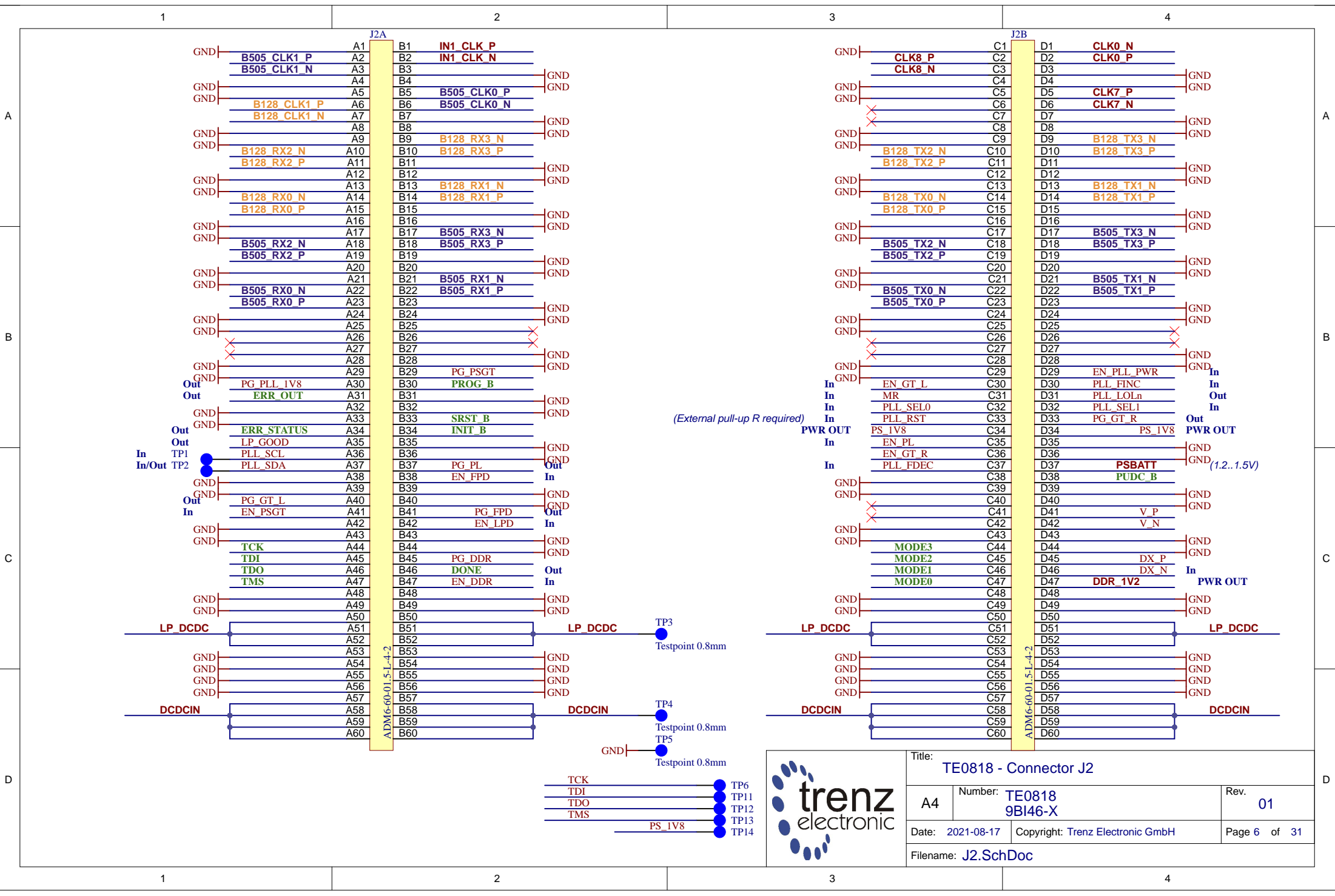
Title: TE0818 - Connector J1		
A4	Number: TE0818 9BI46-X	Rev. 01
Date: 2021-08-17	Copyright: Trenz Electronic GmbH	Page 5 of 31
Filename: J1.SchDoc		

1

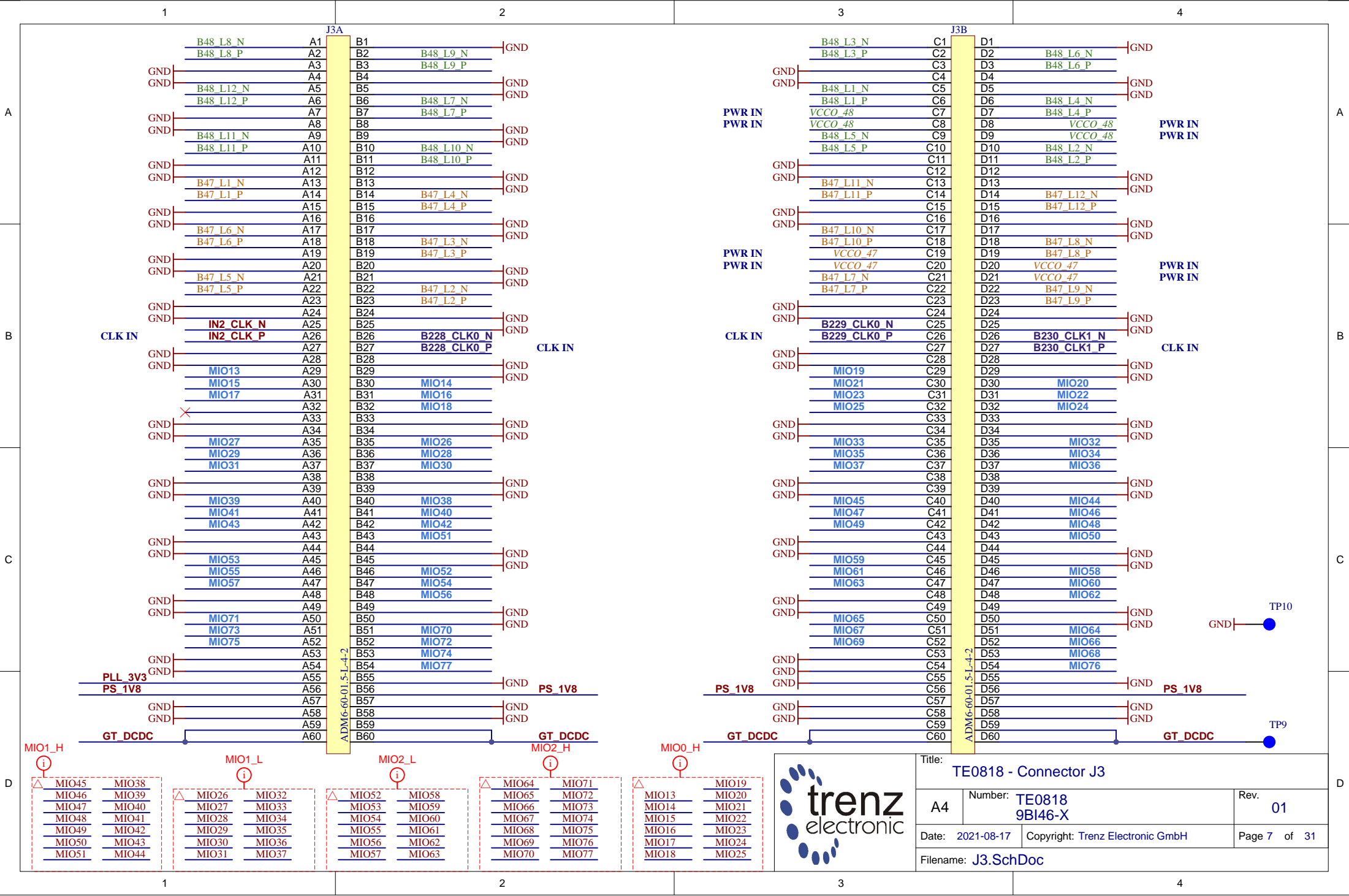
2

3

4



			Title: TE0818 - Connector J2	
			A4	Number: TE0818 9BI46-X
Date: 2021-08-17		Copyright: Trenz Electronic GmbH		Page 6 of 31
Filename: J2.SchDoc				



Title: TE0818 - Connector J3		
A4	Number: TE0818 9BI46-X	Rev. 01
Date: 2021-08-17	Copyright: Trenz Electronic GmbH	Page 7 of 31
Filename: J3.SchDoc		

1

2

3

4

A

A

B

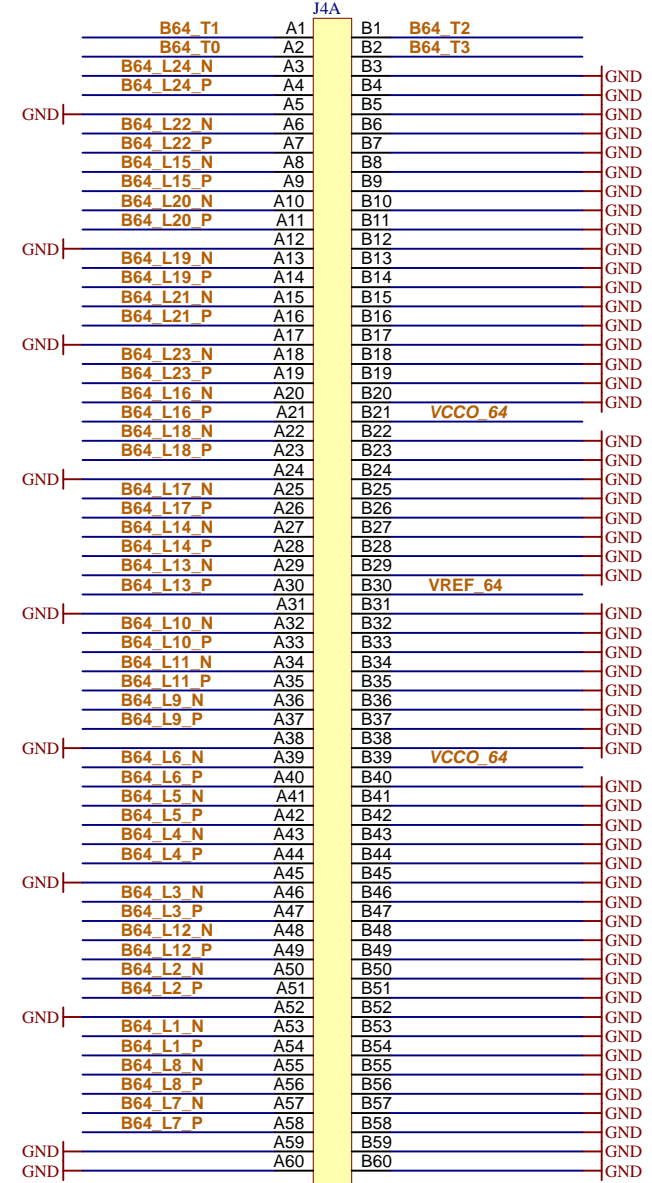
B

C

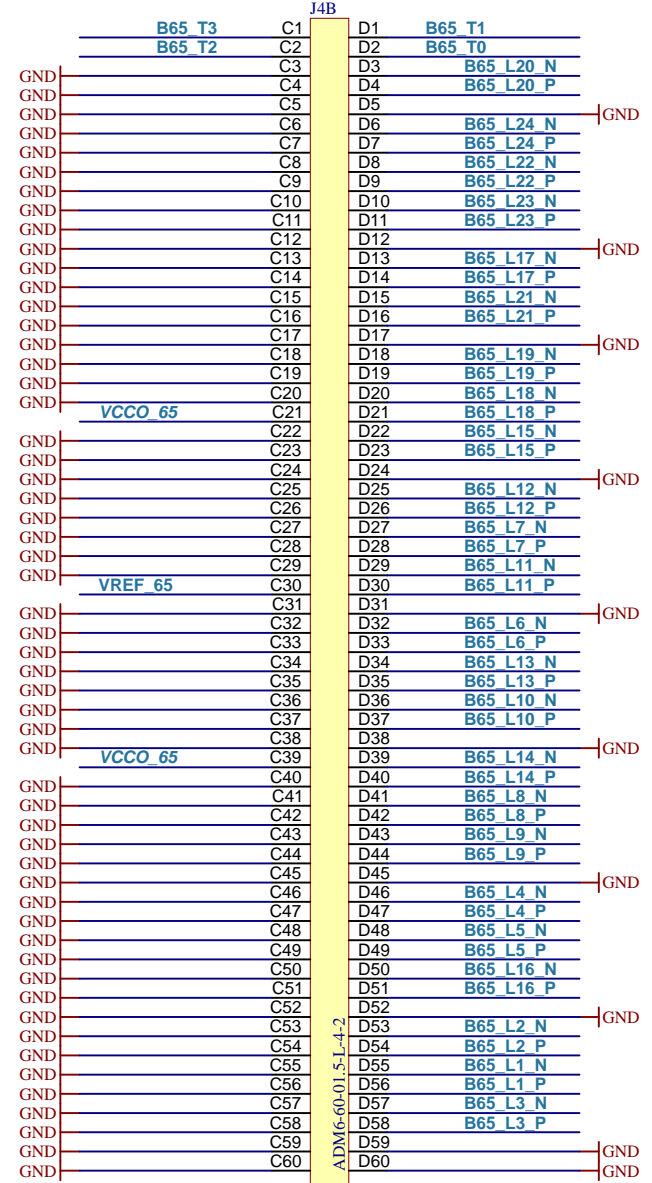
C

D

D



ADM6-60-01.5-L-4-2



ADM6-60-01.5-L-4-2



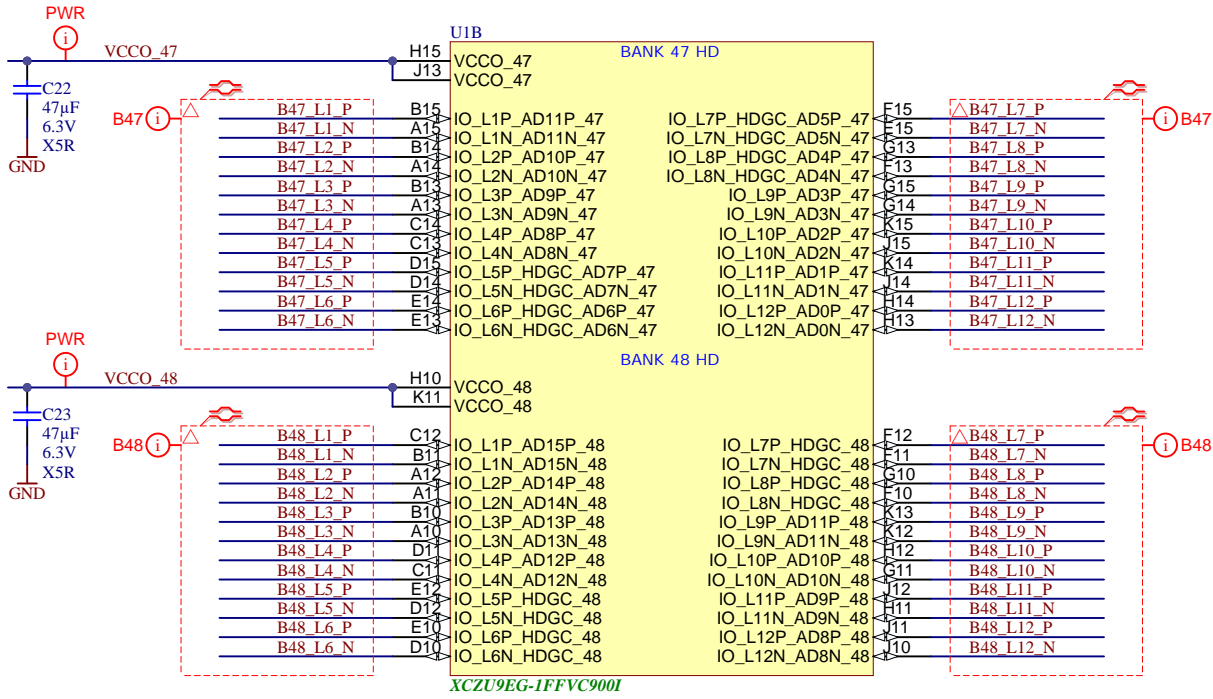
Title: TE0818 - Connector J4		
A4	Number: TE0818 9BI46-X	Rev. 01
Date: 2021-08-17	Copyright: Trenz Electronic GmbH	Page 8 of 31
Filename: J4.SchDoc		


1

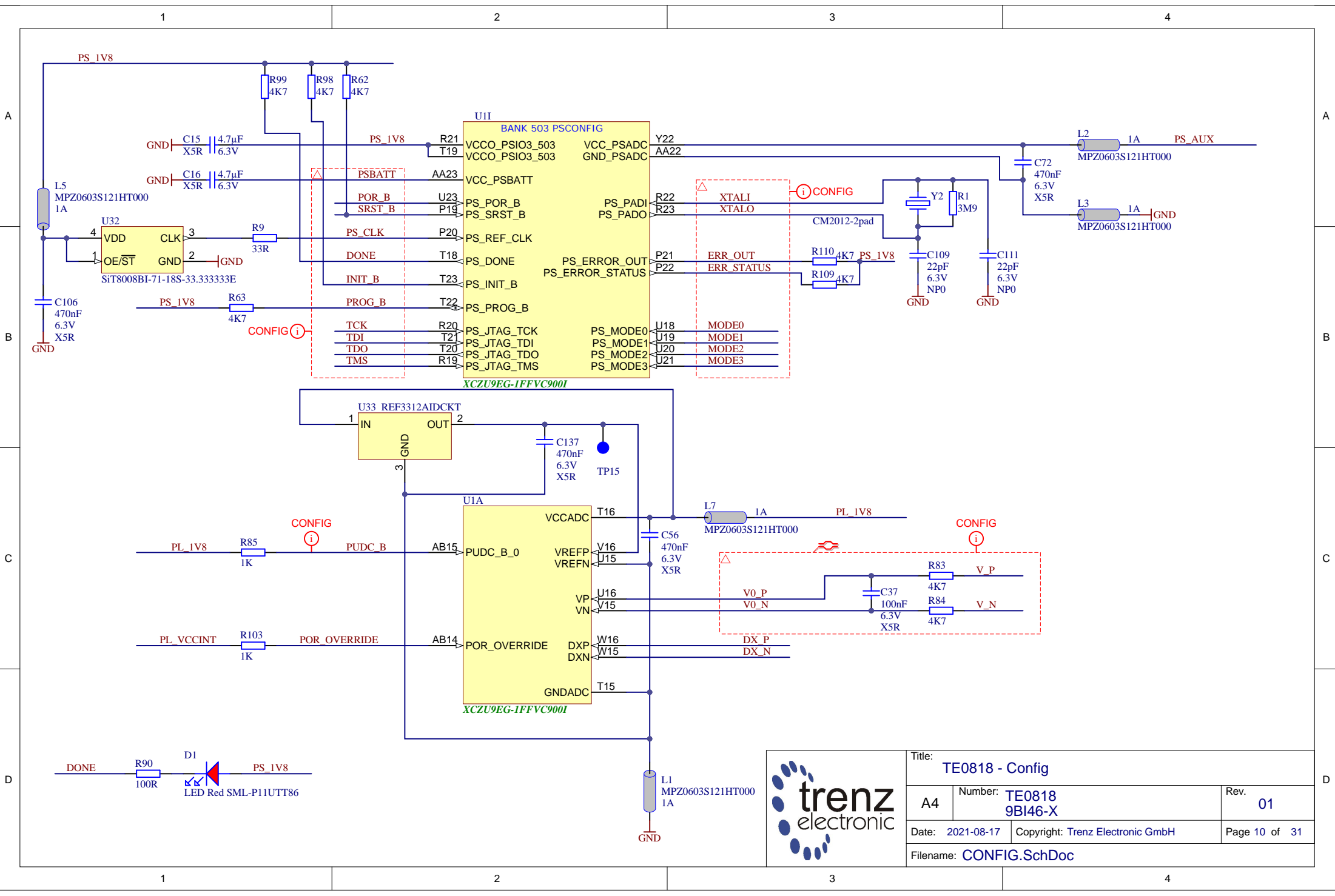
2

3

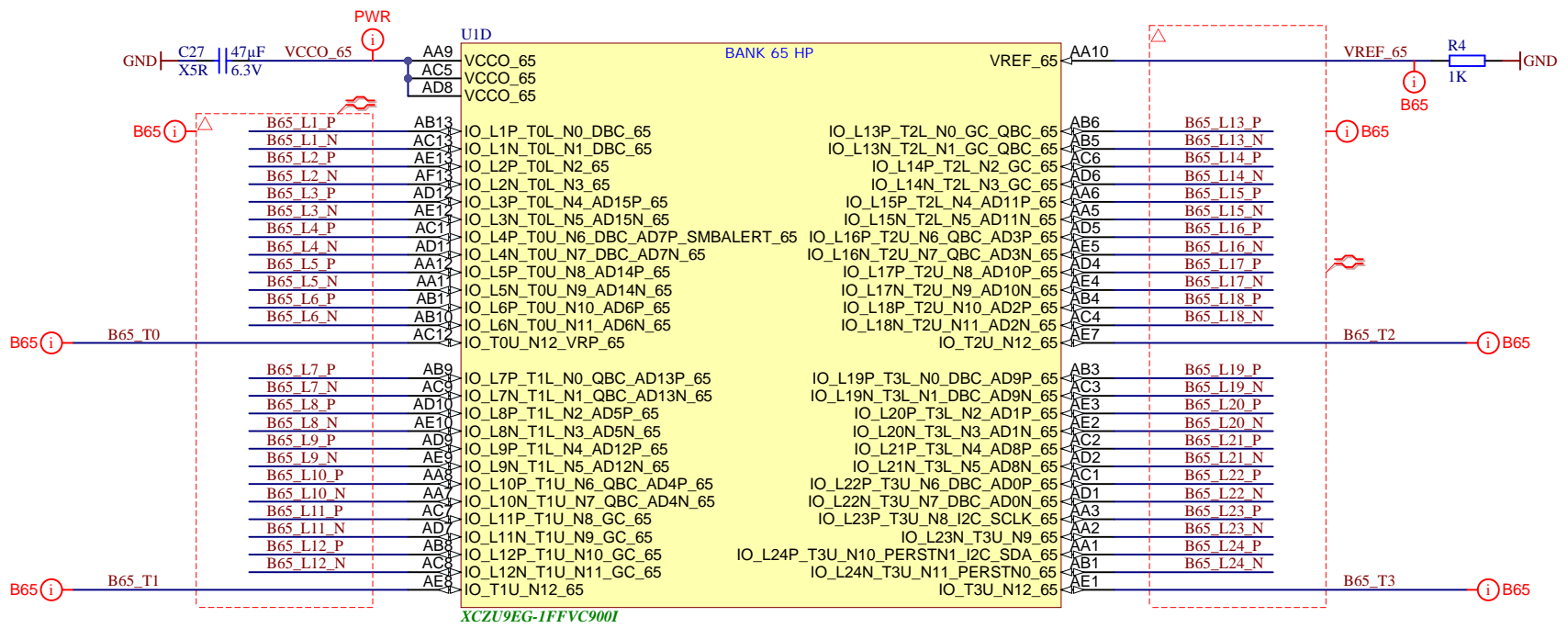
4



	Title: TE0818 - B47HD and B48HD		
	A4	Number: TE0818 9BI46-X	Rev. 01
	Date: 2021-08-17	Copyright: Trenz Electronic GmbH	Page 9 of 31
	Filename: B_HD.SchDoc		



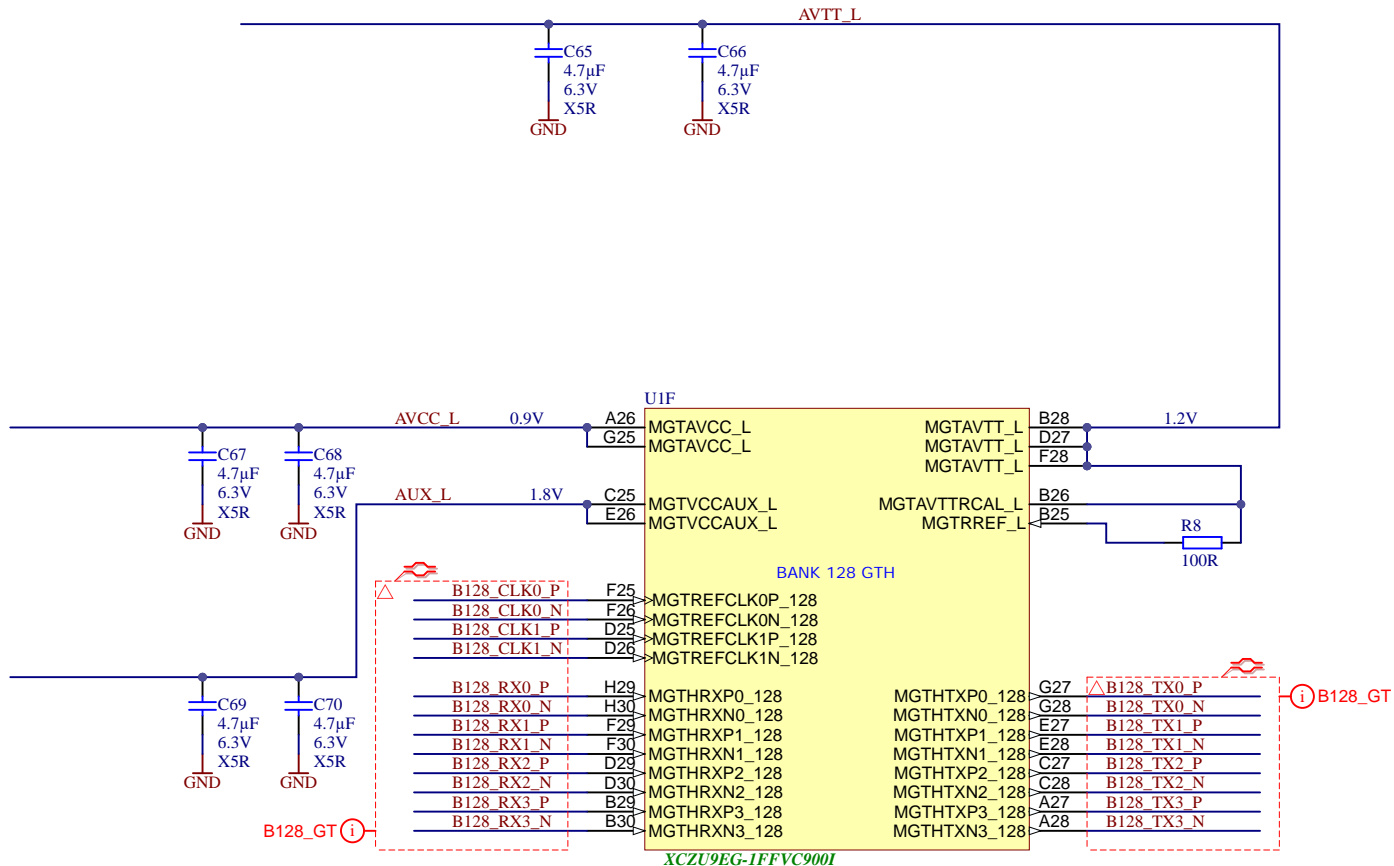
Title: TE0818 - Config		
A4	Number: TE0818 9BI46-X	Rev. 01
Date: 2021-08-17	Copyright: Trenz Electronic GmbH	Page 10 of 31
Filename: CONFIG.SchDoc		



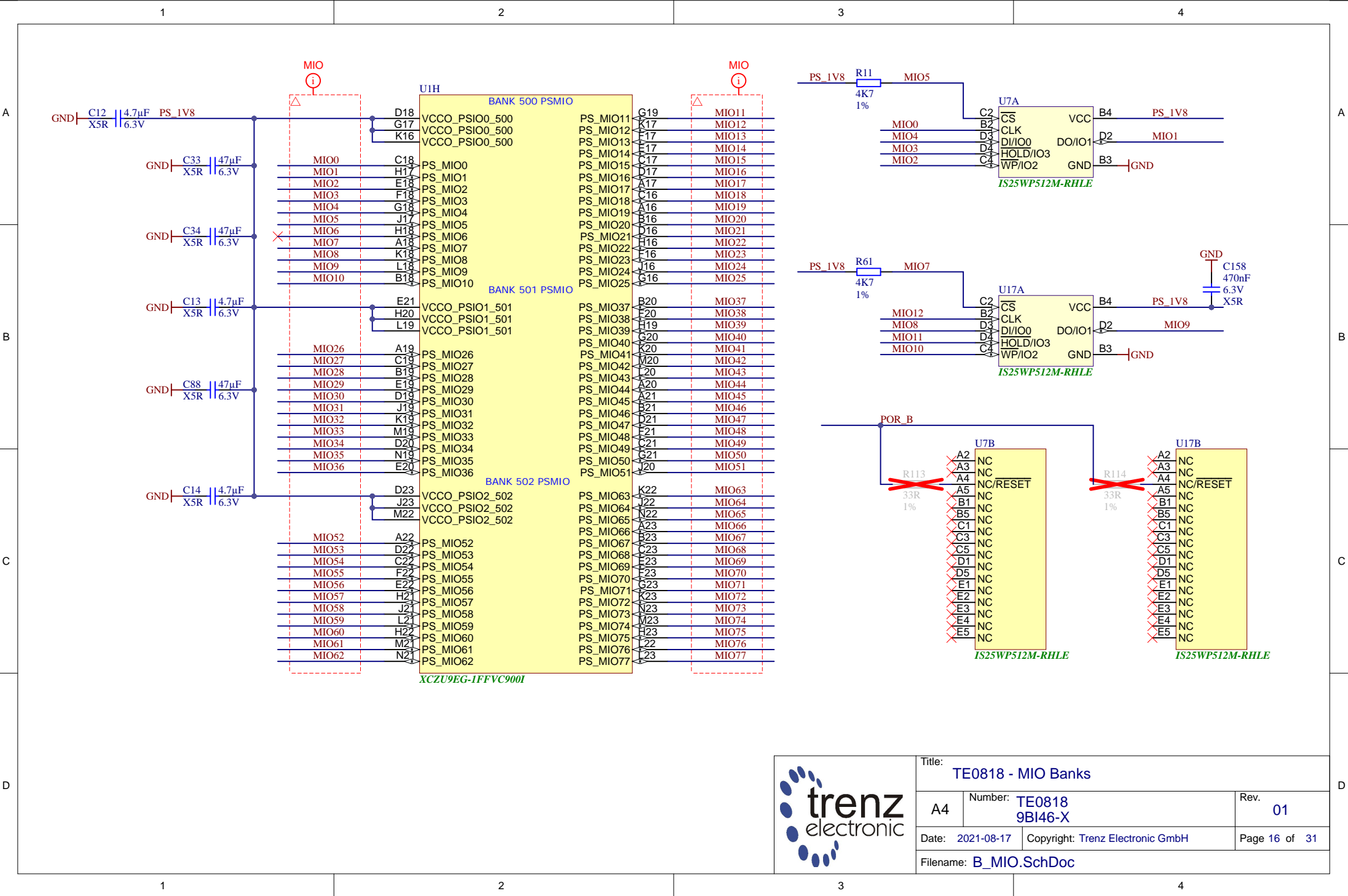
XCZU9EG-1FFVC9001




Title: TE0818 - B65		
A4	Number: TE0818 9BI46-X	Rev. 01
Date: 2021-08-17	Copyright: Trenz Electronic GmbH	Page 12 of 31
Filename: B65.SchDoc		



	Title: TE0818 - B128GTH	
	A4	Number: TE0818 9BI46-X
	Date: 2021-08-17	Copyright: Trenz Electronic GmbH
	Filename: B_GT_2.SchDoc	
	Rev. 01	Page 15 of 31



		Title: TE0818 - MIO Banks	
		A4	Number: TE0818 9BI46-X
Date: 2021-08-17		Copyright: Trenz Electronic GmbH	
Page 16 of 31		Filename: B_MIO.SchDoc	

A

A

B

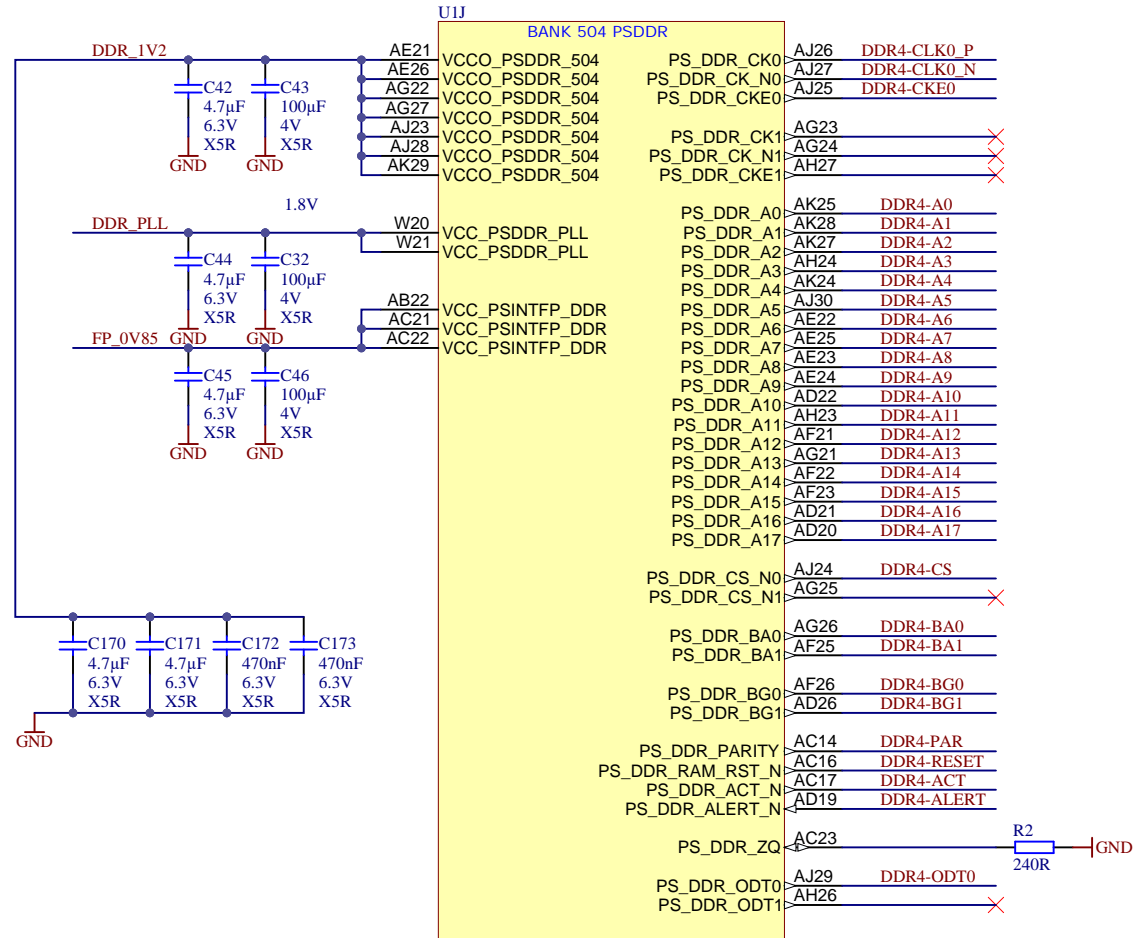
B

C

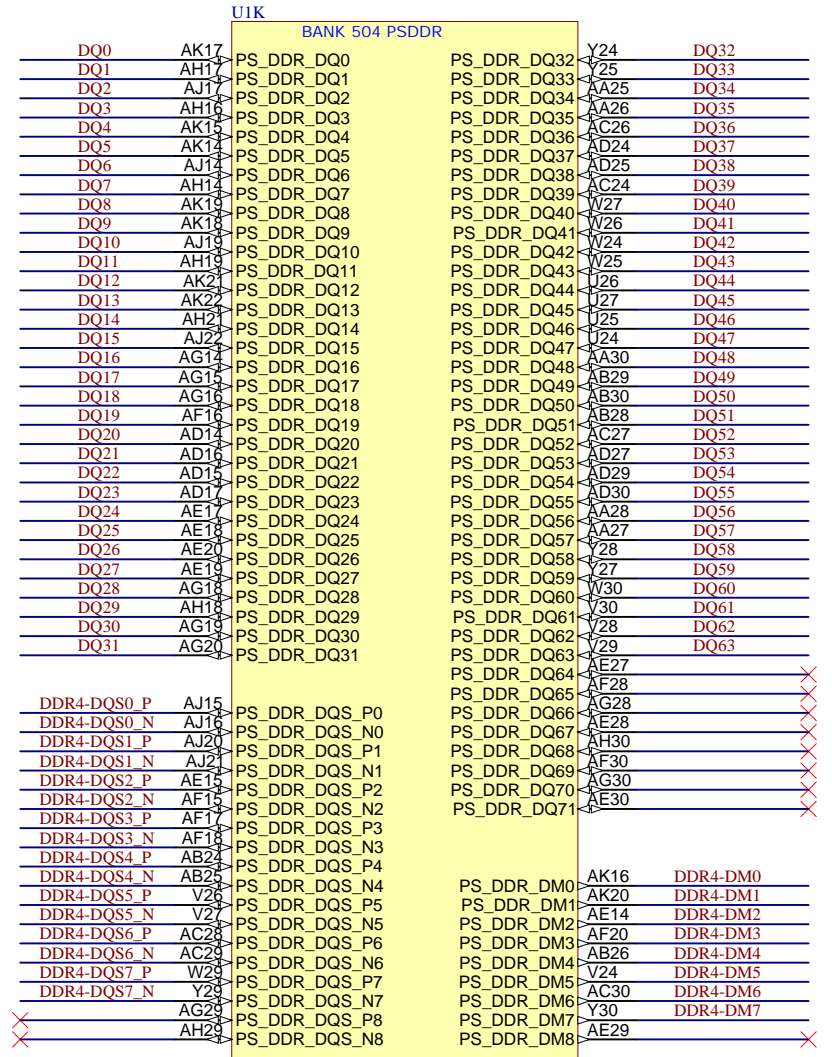
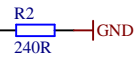
C

D

D



XCZU9EG-1FFVC9001



XCZU9EG-1FFVC9001



Title: TE0818 - PS_DDR		
A4	Number: TE0818 9BI46-X	Rev. 01
Date: 2021-08-17	Copyright: Trenz Electronic GmbH	Page 17 of 31
Filename: PS_DDR.SchDoc		

1

2

3

4

A

A

B

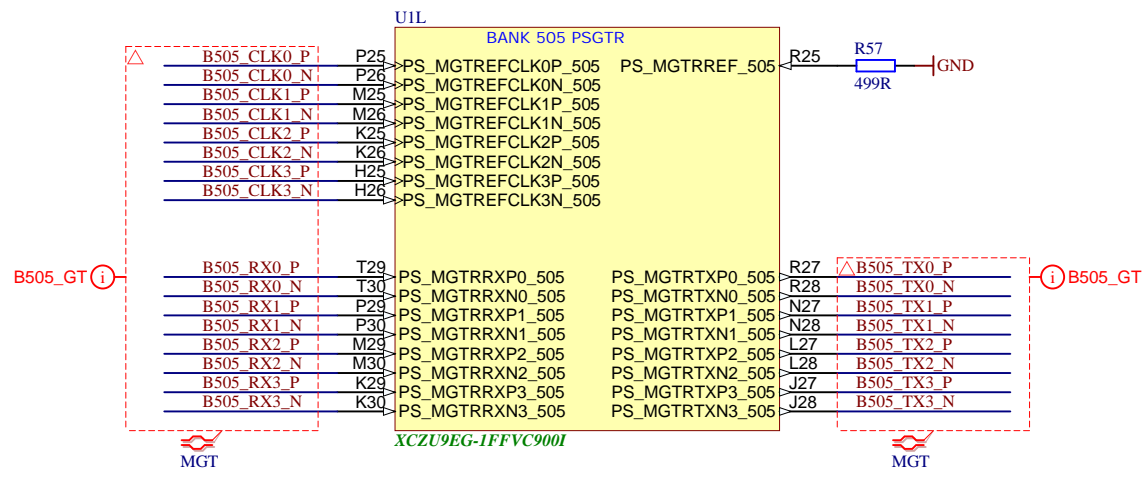
B

C

C

D

D



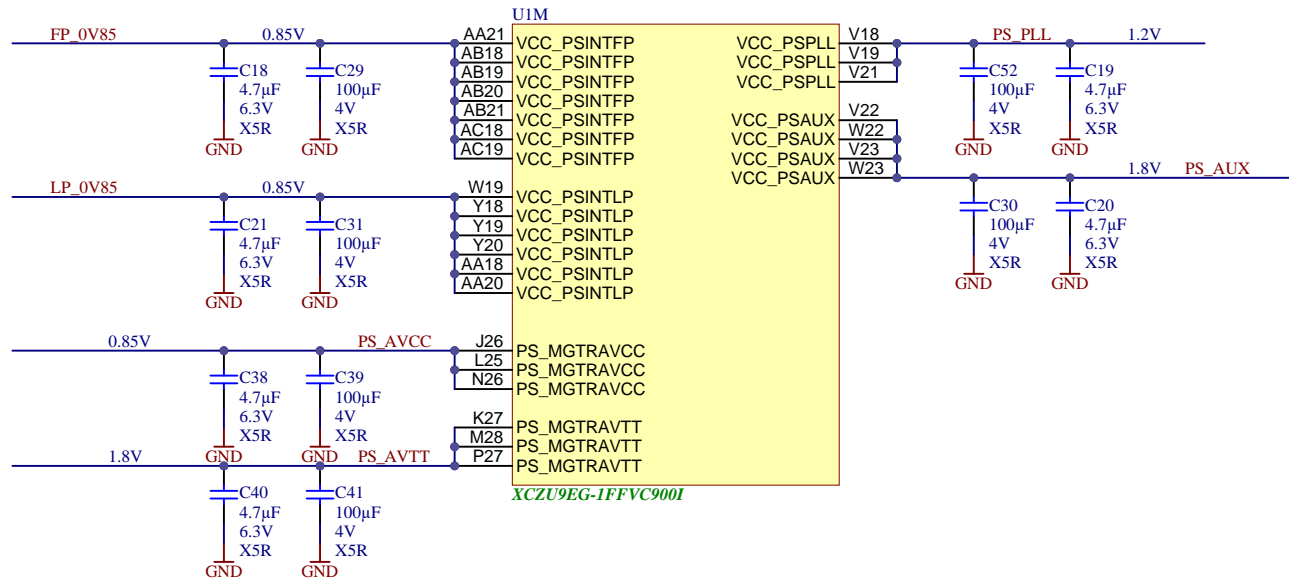
	Title: TE0818 - PS_GT		
	A4	Number: TE0818 9BI46-X	Rev. 01
	Date: 2021-08-17	Copyright: Trenz Electronic GmbH	Page 18 of 31
	Filename: B_PS_GT.SchDoc		


1

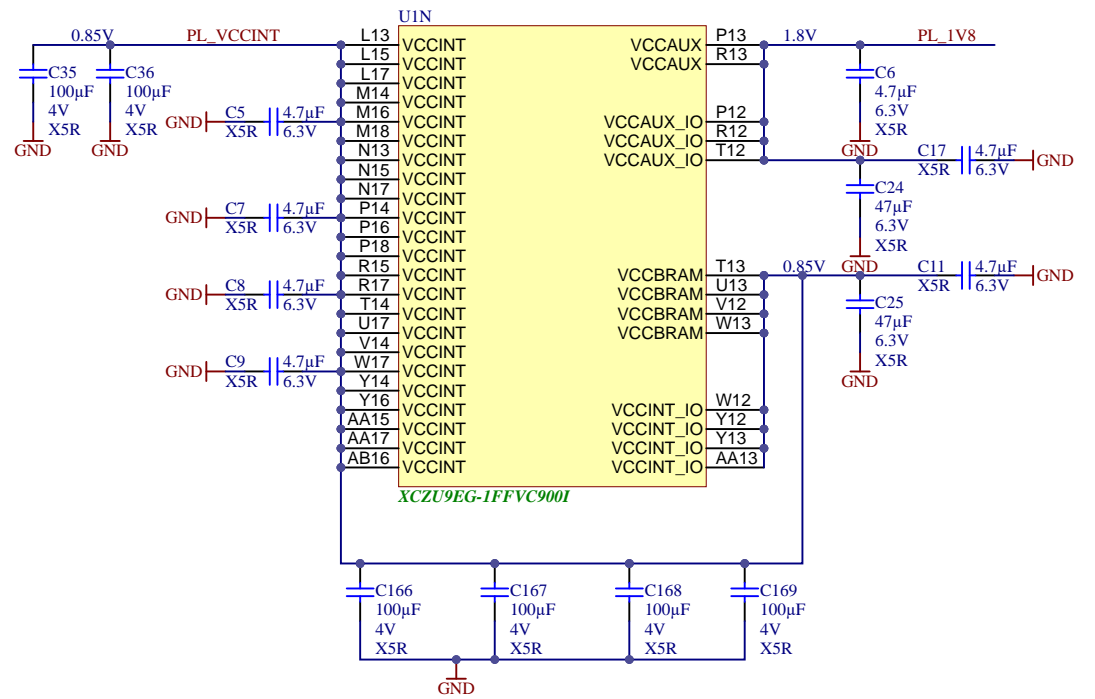
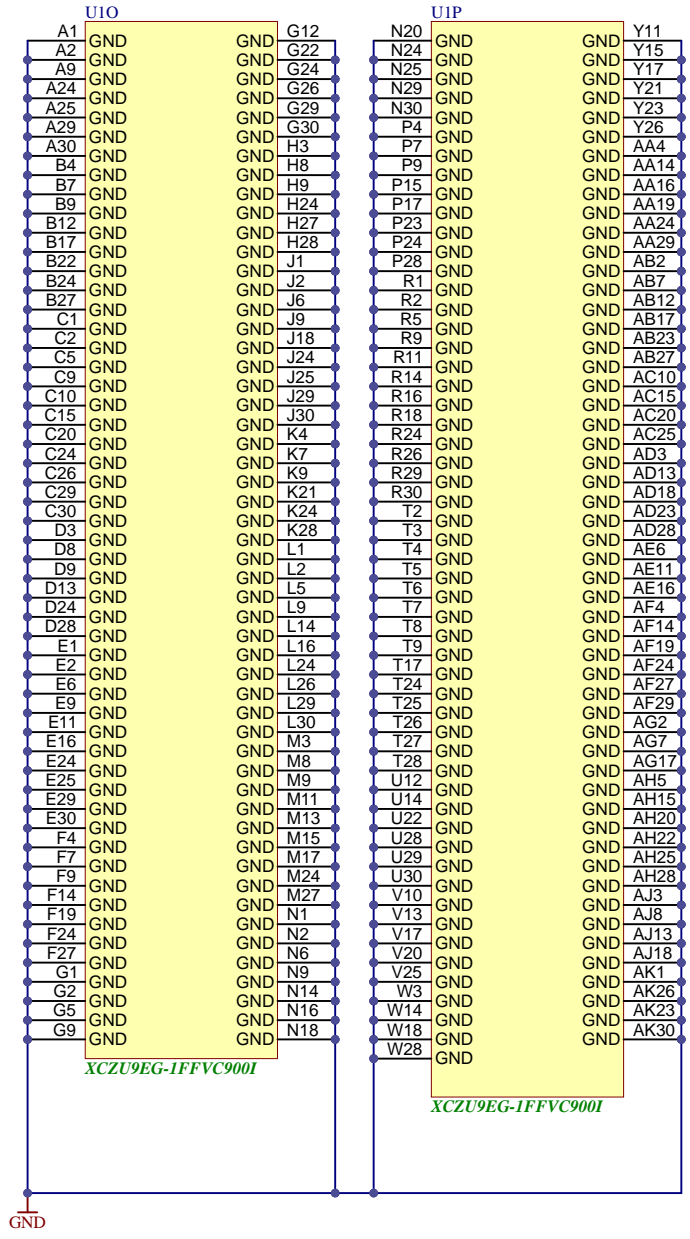
2

3

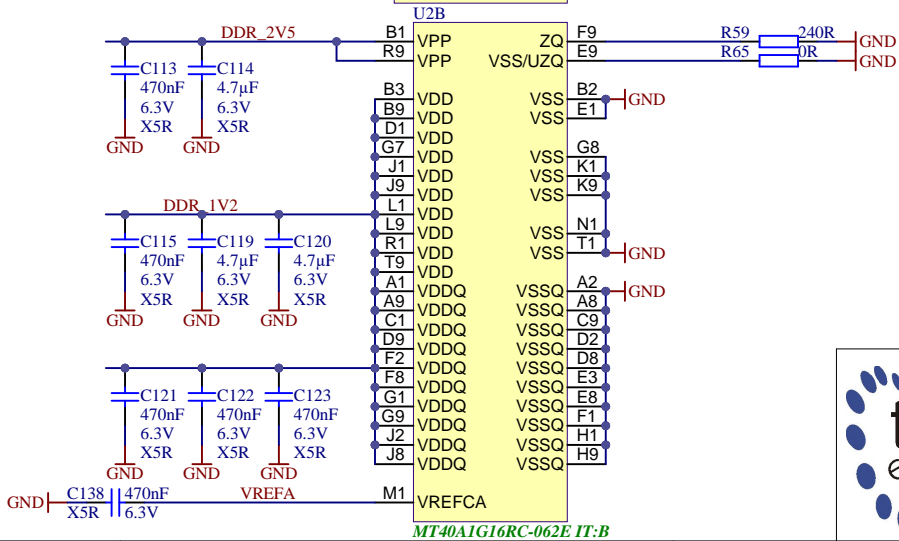
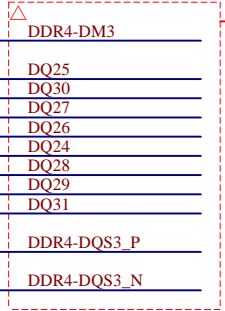
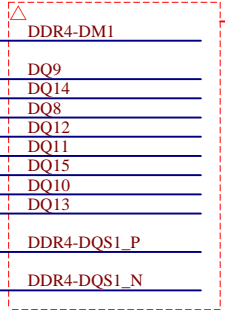
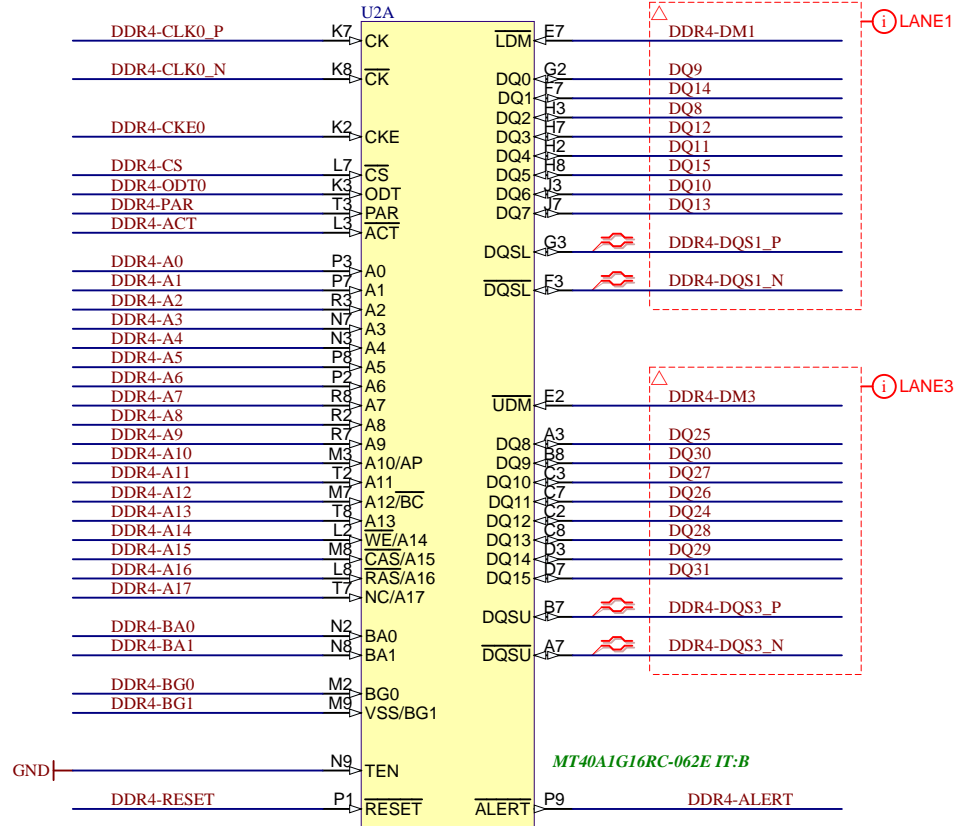
4



		Title: TE0818 - ZU_PS_POWER	
		A4	Number: TE0818 9BI46-X
Date: 2021-08-17		Copyright: Trenz Electronic GmbH	
Date: 2021-08-17		Page 19 of 31	
Filename: ZU_PS_POWER.SchDoc			



Title: TE0818 - ZU_POWER		
A4	Number: TE0818 9BI46-X	Rev. 01
Date: 2021-08-17	Copyright: Trenz Electronic GmbH	Page 20 of 31
Filename: ZU_POWER.SchDoc		



Title: TE0818 - DDR4_1_RAM		
A4	Number: TE0818 9BI46-X	Rev. 01
Date: 2021-08-17	Copyright: Trenz Electronic GmbH	Page 21 of 31
Filename: DDR4-RAM.SchDoc		

A

A

B

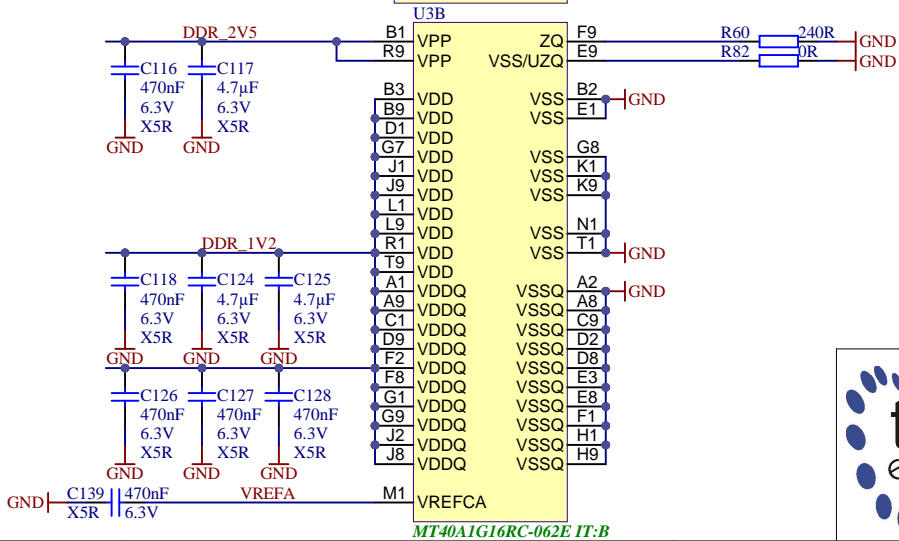
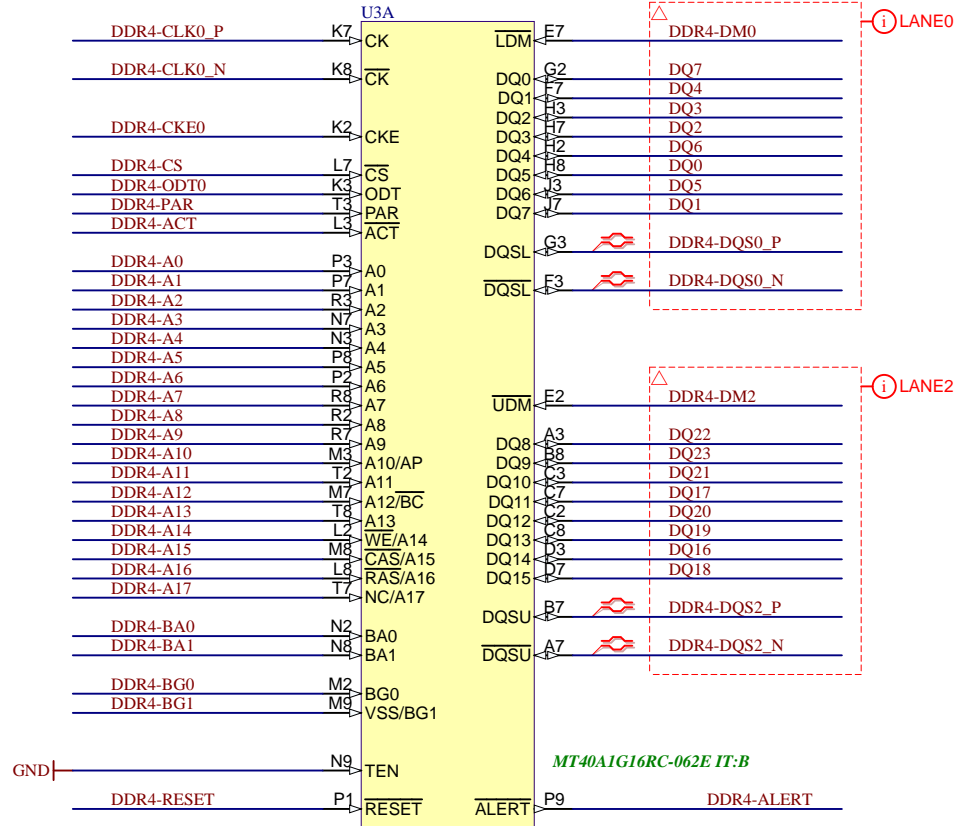
B

C

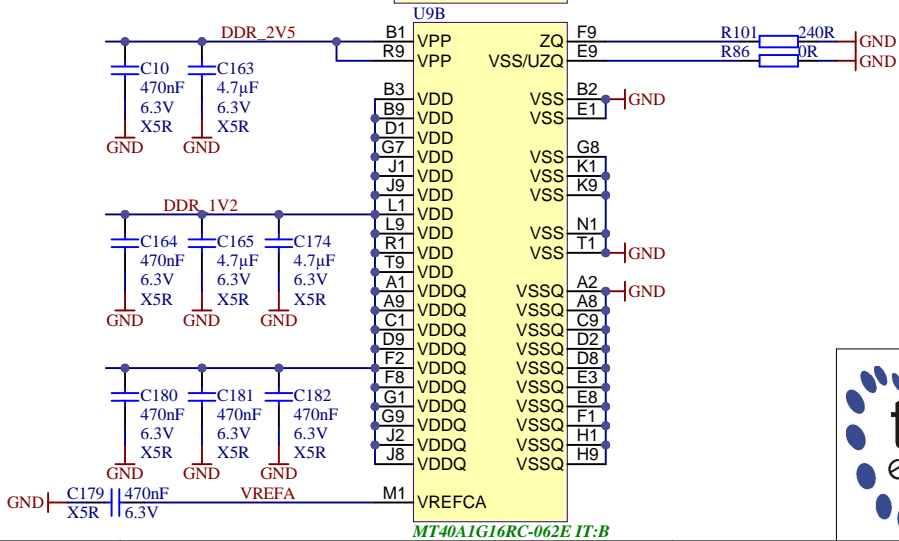
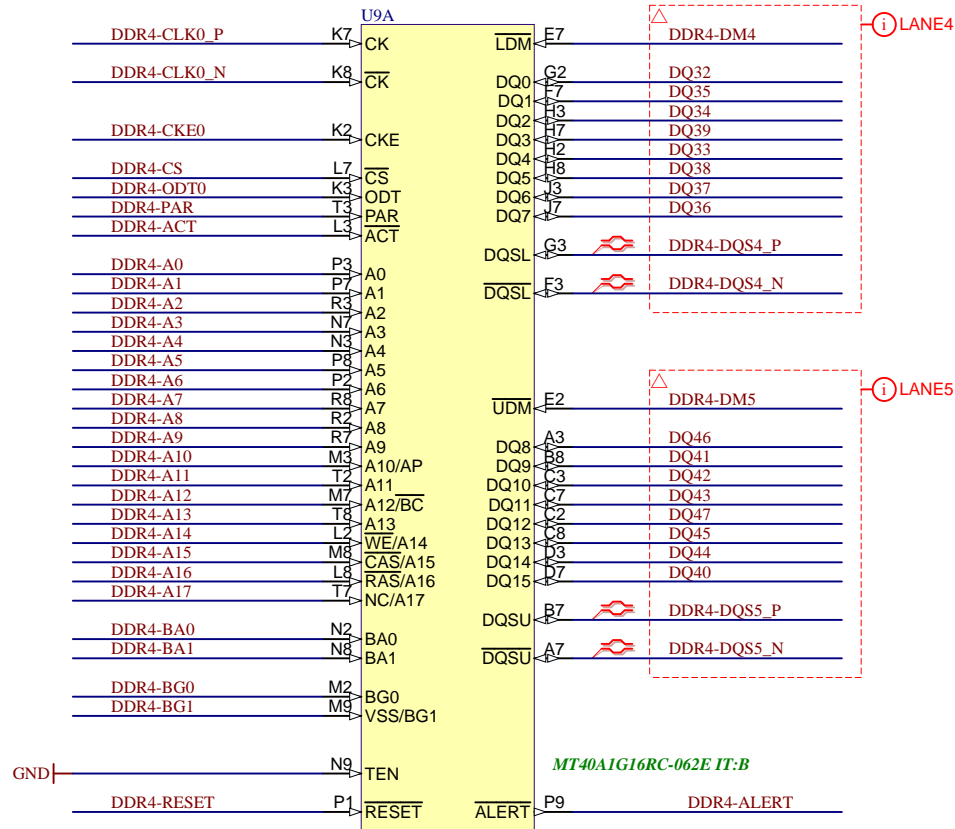
C

D

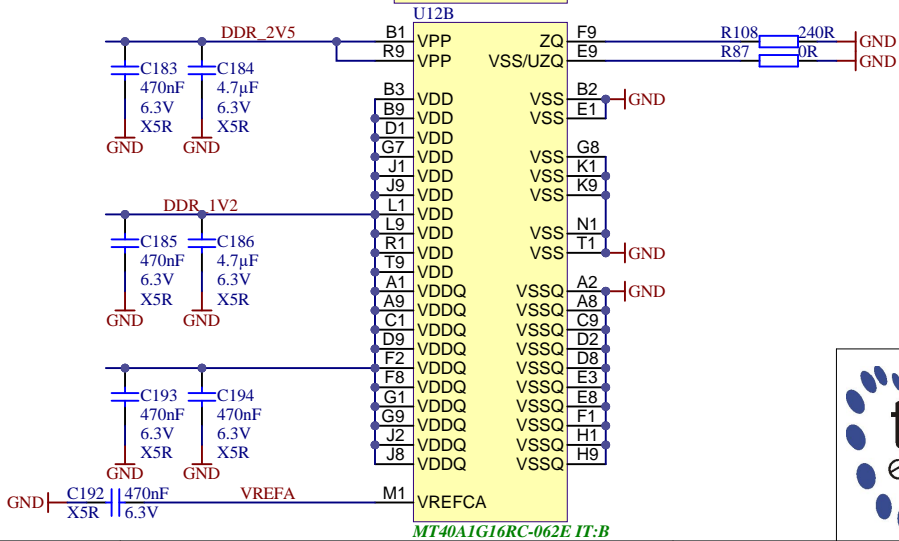
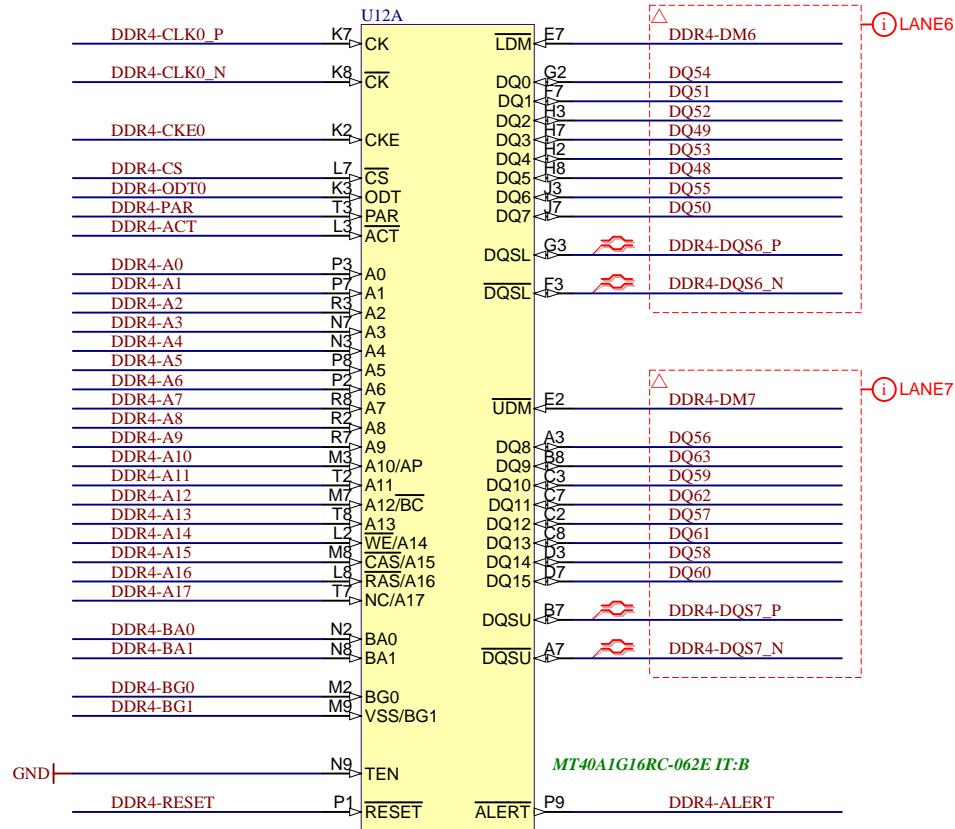
D



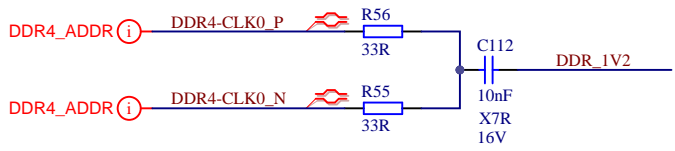
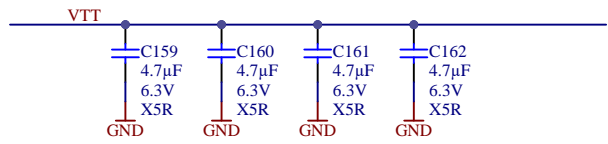
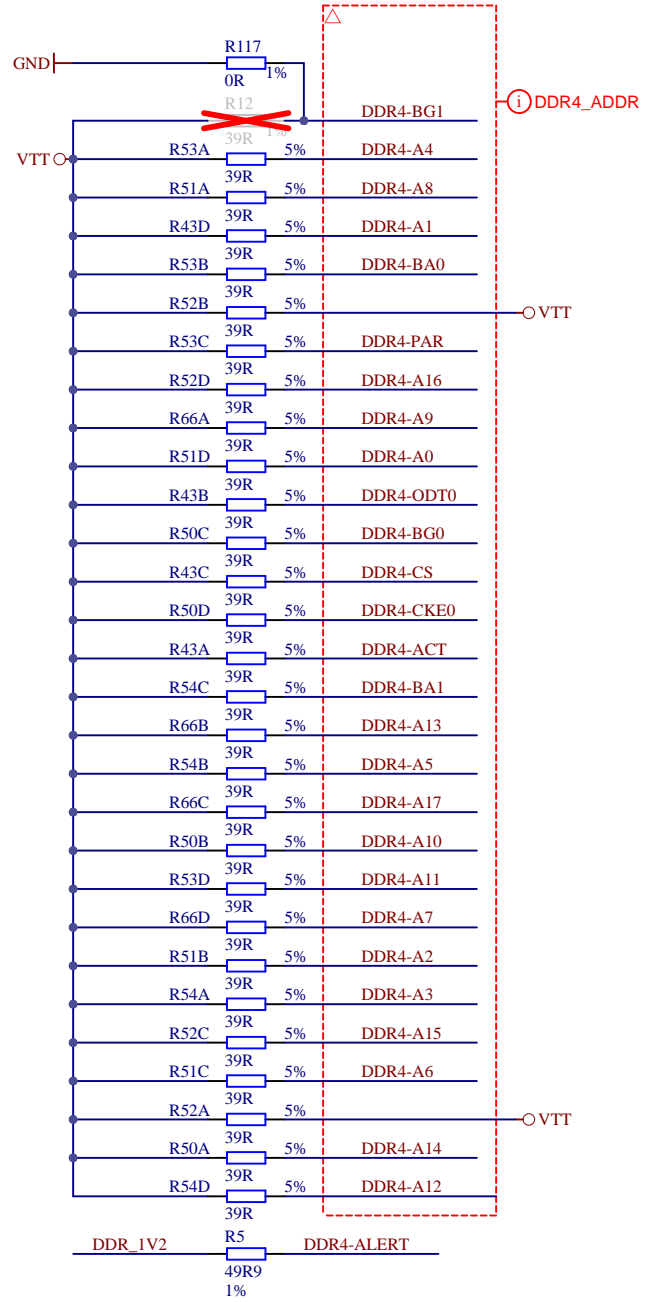
Title: TE0818 - DDR4_2_RAM		
A4	Number: TE0818 9BI46-X	Rev. 01
Date: 2021-08-17	Copyright: Trenz Electronic GmbH	Page 22 of 31
Filename: DDR4-RAM_2.SchDoc		



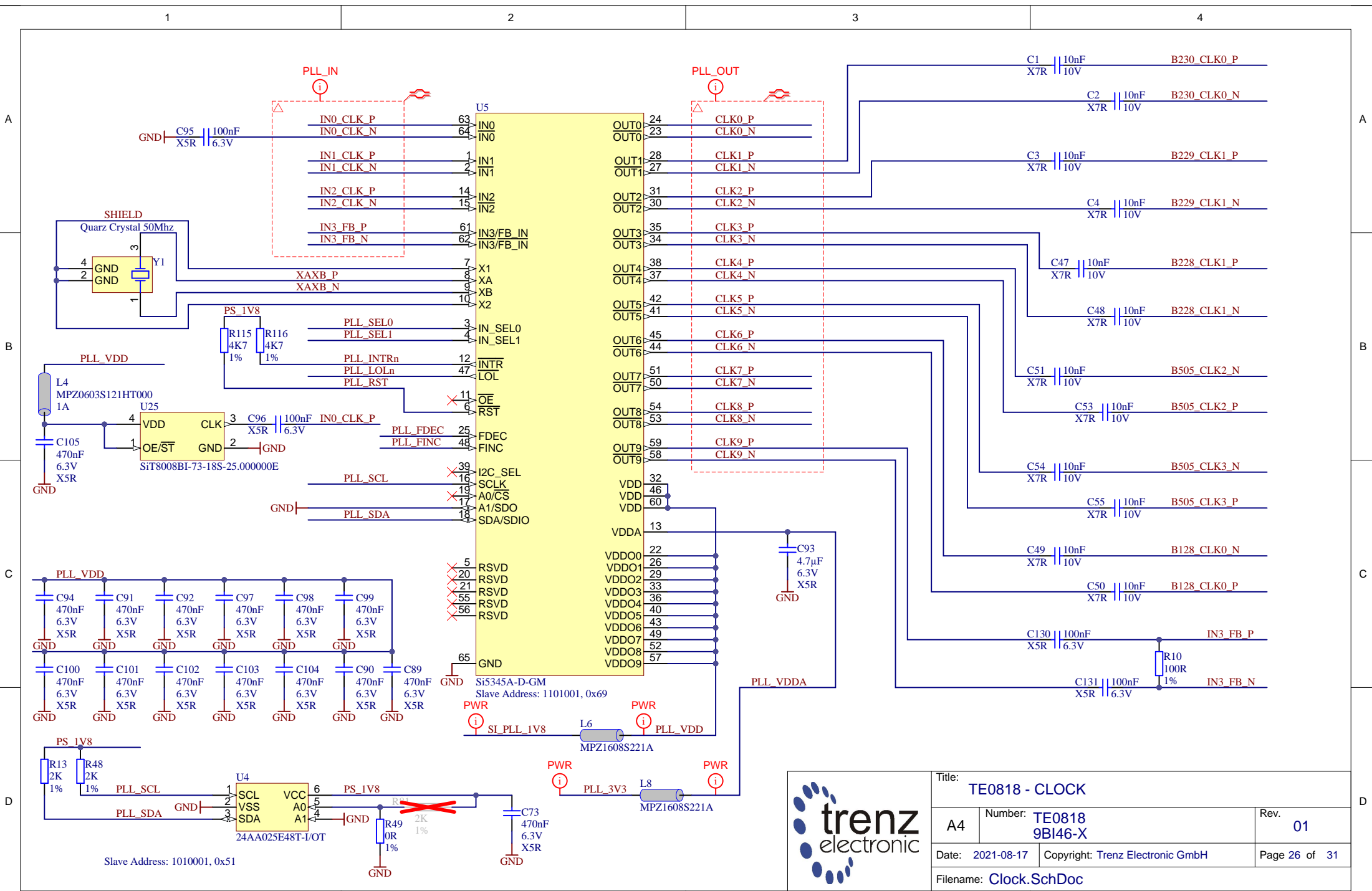
Title: TE0818 - DDR4_3_RAM		
A4	Number: TE0818 9BI46-X	Rev. 01
Date: 2021-08-17	Copyright: Trenz Electronic GmbH	Page 23 of 31
Filename: DDR4-RAM_3.SchDoc		



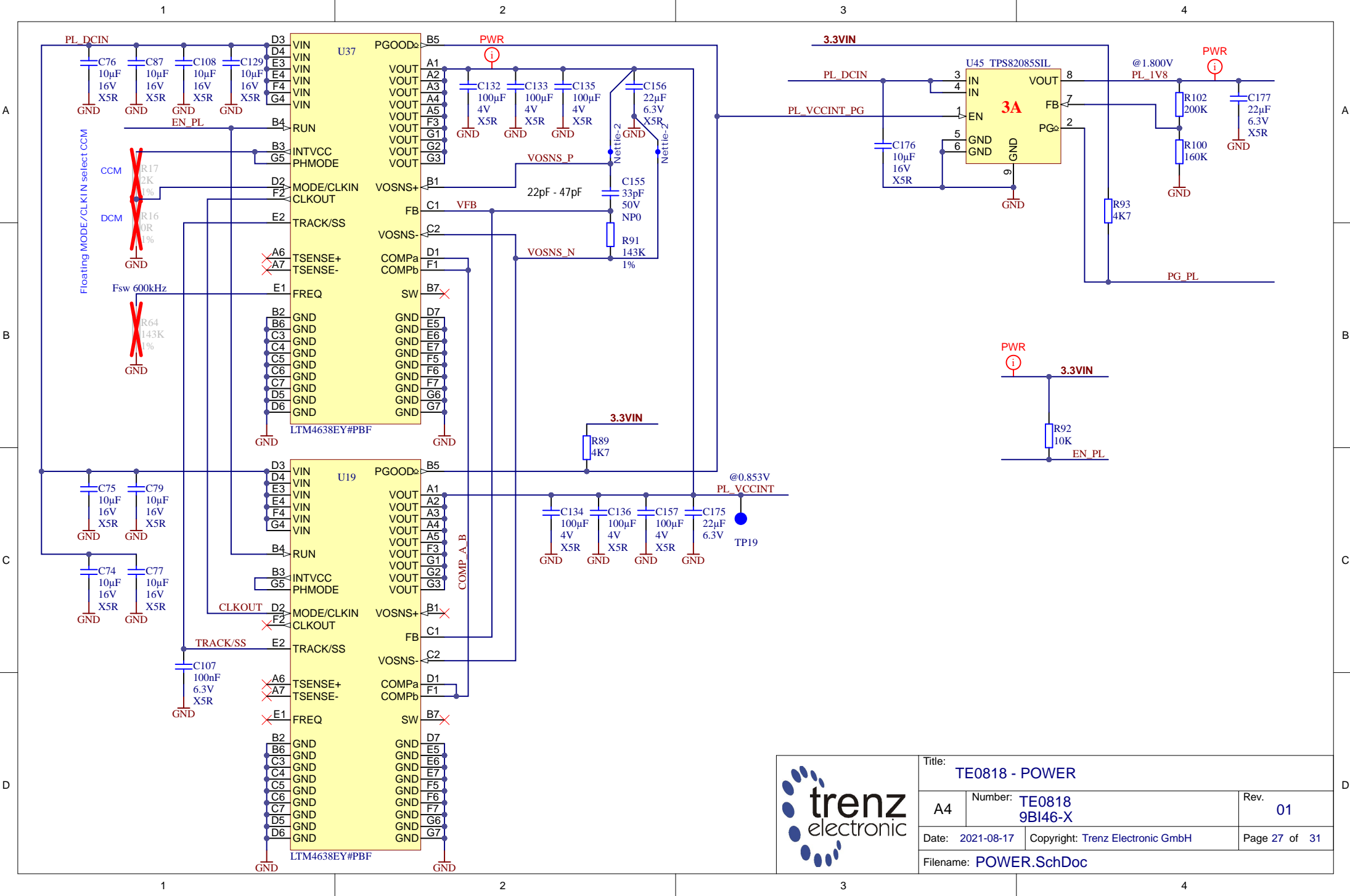

Title: TE0818 - DDR4_4_RAM		
A4	Number: TE0818 9BI46-X	Rev. 01
Date: 2021-08-17	Copyright: Trenz Electronic GmbH	Page 24 of 31
Filename: DDR4-RAM_4.SchDoc		



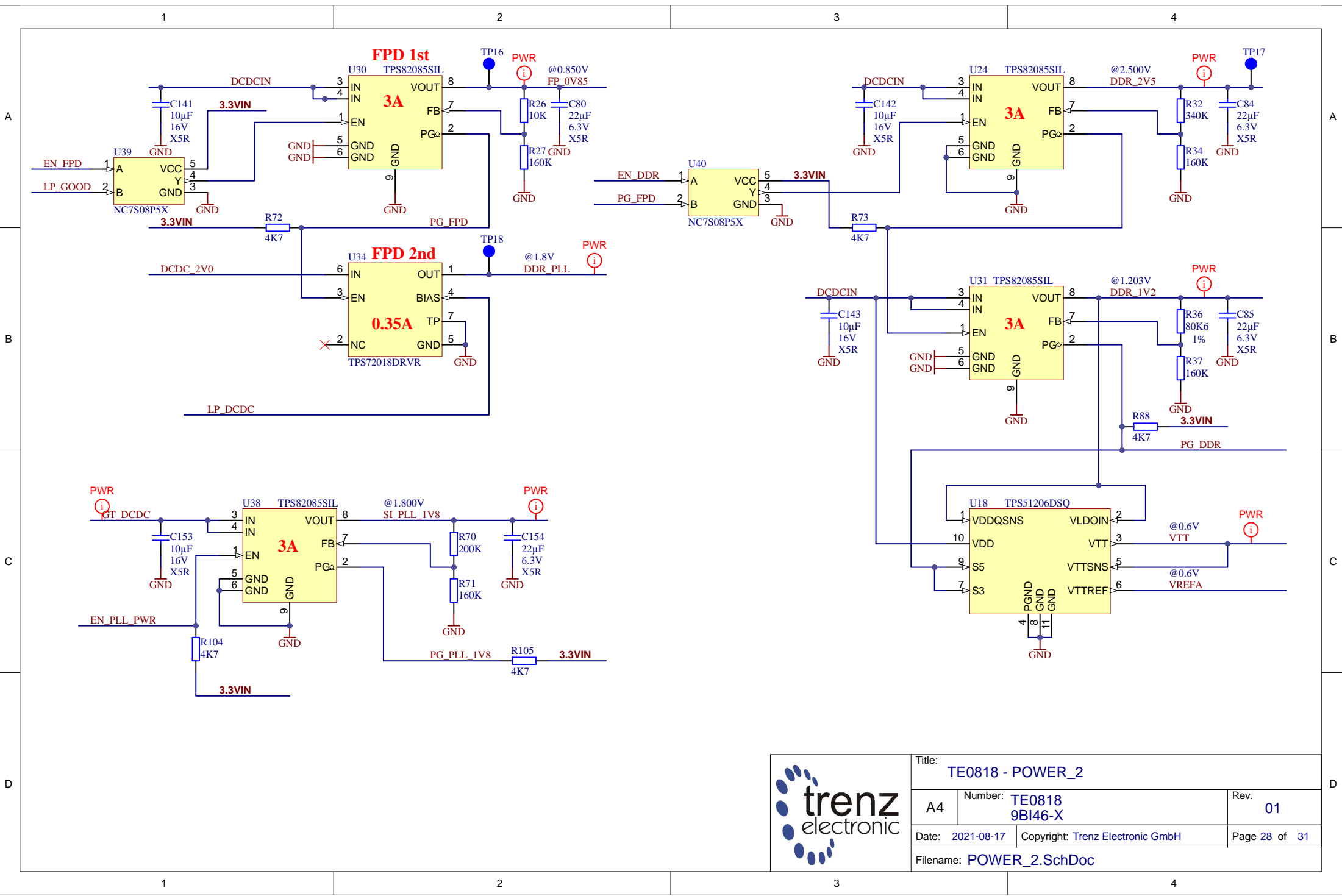
Title: TE0818 - DDR4_TERM		
A4	Number: TE0818 9BI46-X	Rev. 01
Date: 2021-08-17	Copyright: Trenz Electronic GmbH	Page 25 of 31
Filename: DDR4-TERM.SchDoc		




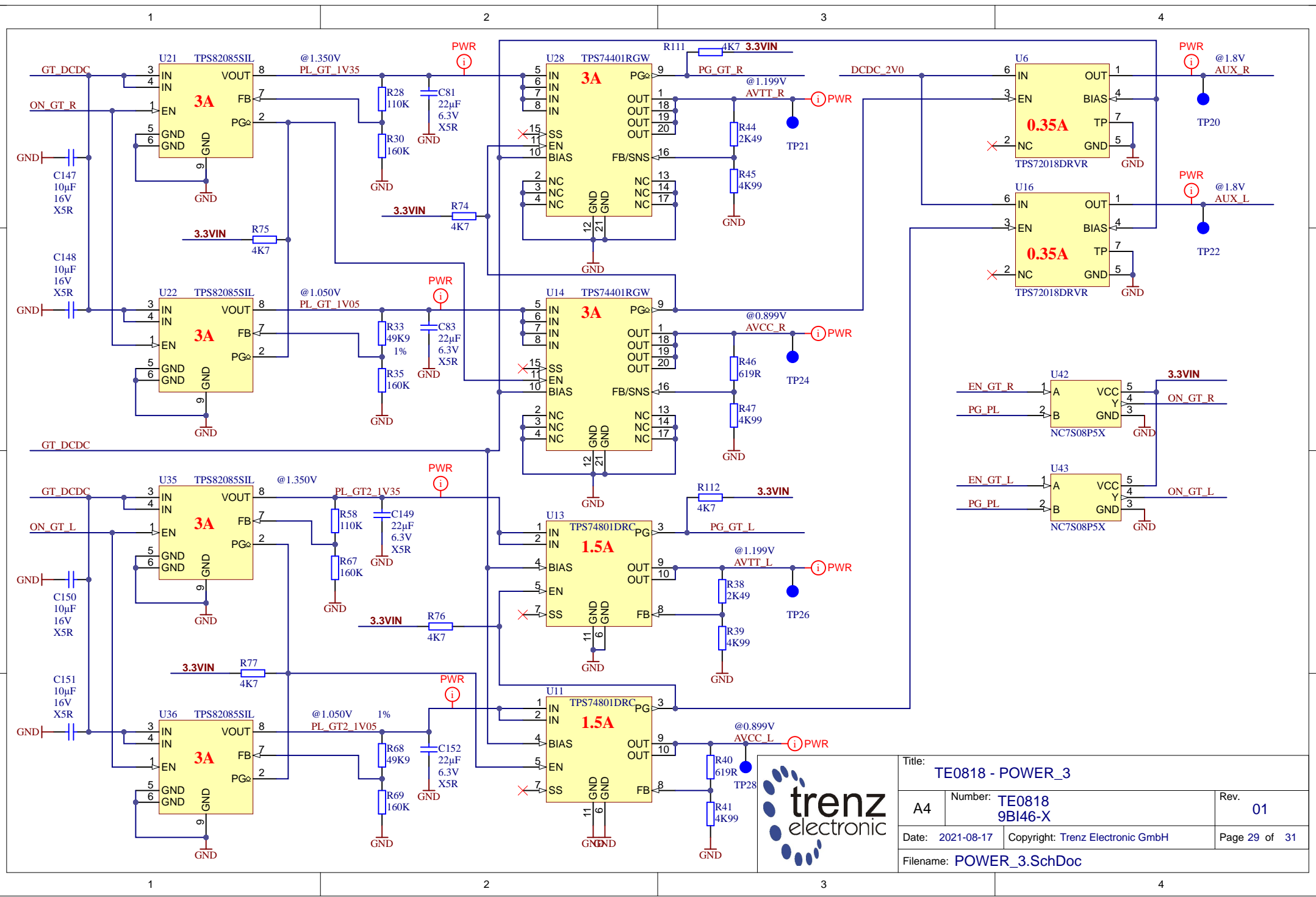
Title: TE0818 - CLOCK		
A4	Number: TE0818 9BI46-X	Rev. 01
Date: 2021-08-17	Copyright: Trenz Electronic GmbH	Page 26 of 31
Filename: Clock.SchDoc		

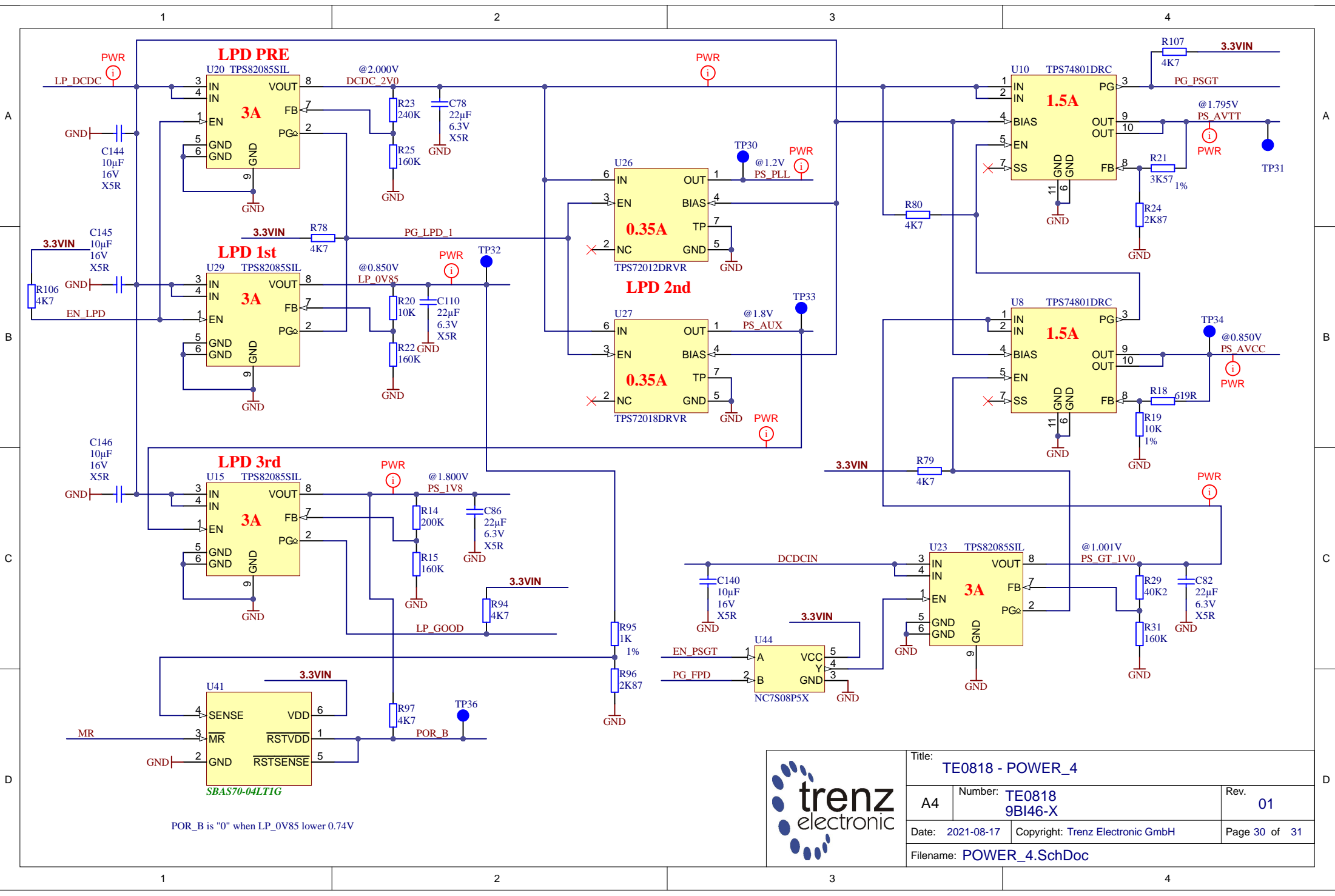
Title: TE0818 - POWER		
A4	Number: TE0818 9BI46-X	Rev. 01
Date: 2021-08-17	Copyright: Trenz Electronic GmbH	
Filename: POWER.SchDoc		Page 27 of 31



		Title: TE0818 - POWER_2	
		A4	Number: TE0818 9BI46-X
Date: 2021-08-17		Copyright: Trenz Electronic GmbH	
Date: 2021-08-17		Page 28 of 31	
Filename: POWER_2.SchDoc			



Title: TE0818 - POWER_3		
A4	Number: TE0818 9BI46-X	Rev. 01
Date: 2021-08-17	Copyright: Trenz Electronic GmbH	Page 29 of 31
Filename: POWER_3.SchDoc		



POR_B is "0" when LP_OV85 lower 0.74V



Title: TE0818 - POWER_4		
A4	Number: TE0818 9BI46-X	Rev. 01
Date: 2021-08-17	Copyright: Trenz Electronic GmbH	Page 30 of 31
Filename: POWER_4.SchDoc		

1

2

3

4

A

A

B

B


C

C

D

D

REV	DATE	Description	
-01	2021-05	Initial revision	VT

	Title: TE0818 - Changes list		
	A4	Number: TE0818 9BI46-X	Rev. 01
	Date: 2021-08-17	Copyright: Trenz Electronic GmbH	Page 31 of 31
	Filename: Revision_Changes.SchDoc		

1

2

3

4