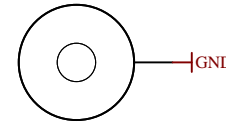


U_J1
J1.SchDoc
U_J2
J2.SchDoc
U_J3
J3.SchDoc
U_J4
J4.SchDoc
U_DDR4-TERM
DDR4-TERM.SchDoc
U_B64
B64.SchDoc
U_B65
B65.SchDoc
U_B66
B66.SchDoc
U_B_GT
B_GT.SchDoc
U_B_GT_2
B_GT_2.SchDoc
U_Legal Notices Modules
Legal Notices Modules.SchDoc

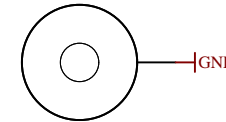
U_B_PS_GT
B_PS_GT.SchDoc
U_PS_DDR
PS_DDR.SchDoc
U_B_MIO
B_MIO.SchDoc
U_B_HD
B_HD.SchDoc
U_Clock
Clock.SchDoc
U_CONFIG
CONFIG.SchDoc
U_DDR4-RAM
DDR4-RAM.SchDoc
U_DDR4-RAM_2
DDR4-RAM_2.SchDoc
U_DDR4-RAM_3
DDR4-RAM_3.SchDoc
U_DDR4-RAM_4
DDR4-RAM_4.SchDoc
U_Power_Diagram.SchDoc
Power_Diagram.SchDoc

U_DDR4-TERM
DDR4-TERM.SchDoc
U_ZU_POWER
ZU_POWER.SchDoc
U_ZU_PS_POWER
ZU_PS_POWER.SchDoc
U_POWER
POWER.SchDoc
U_POWER_2
POWER_2.SchDoc
U_POWER_3
POWER_3.SchDoc
U_POWER_4
POWER_4.SchDoc
U_RC
Revision_Changes.SchDoc
U_TE0818-Overview
TE0818-Overview.SchDoc

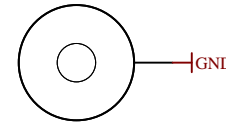
Special notes:



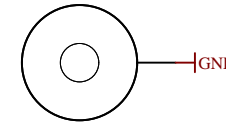
Mount.Hole 3.2mm für Unterlegscheibe



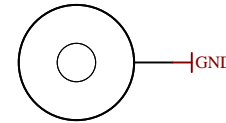
Mount.Hole 3.2mm für Unterlegscheibe



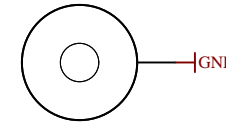
Mount.Hole 3.2mm für Unterlegscheibe



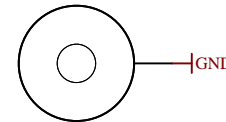
Mount.Hole 3.2mm für Unterlegscheibe



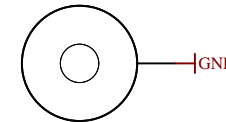
Mount.Hole 3.2mm für Unterlegscheibe



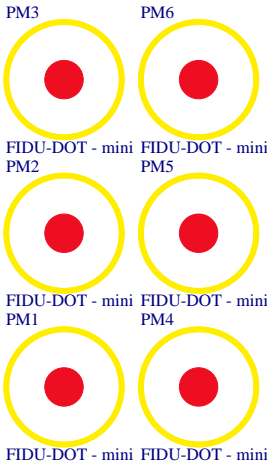
Mount.Hole 3.2mm für Unterlegscheibe



Mount.Hole 3.2mm für Unterlegscheibe



Mount.Hole 3.2mm für Unterlegscheibe



Serial
Serialnummer 6,3 x 6.3mm

MECHI
TE Address Overlay

LOGO ADDRESS

LOGO1
TE Logo PRINT Layer

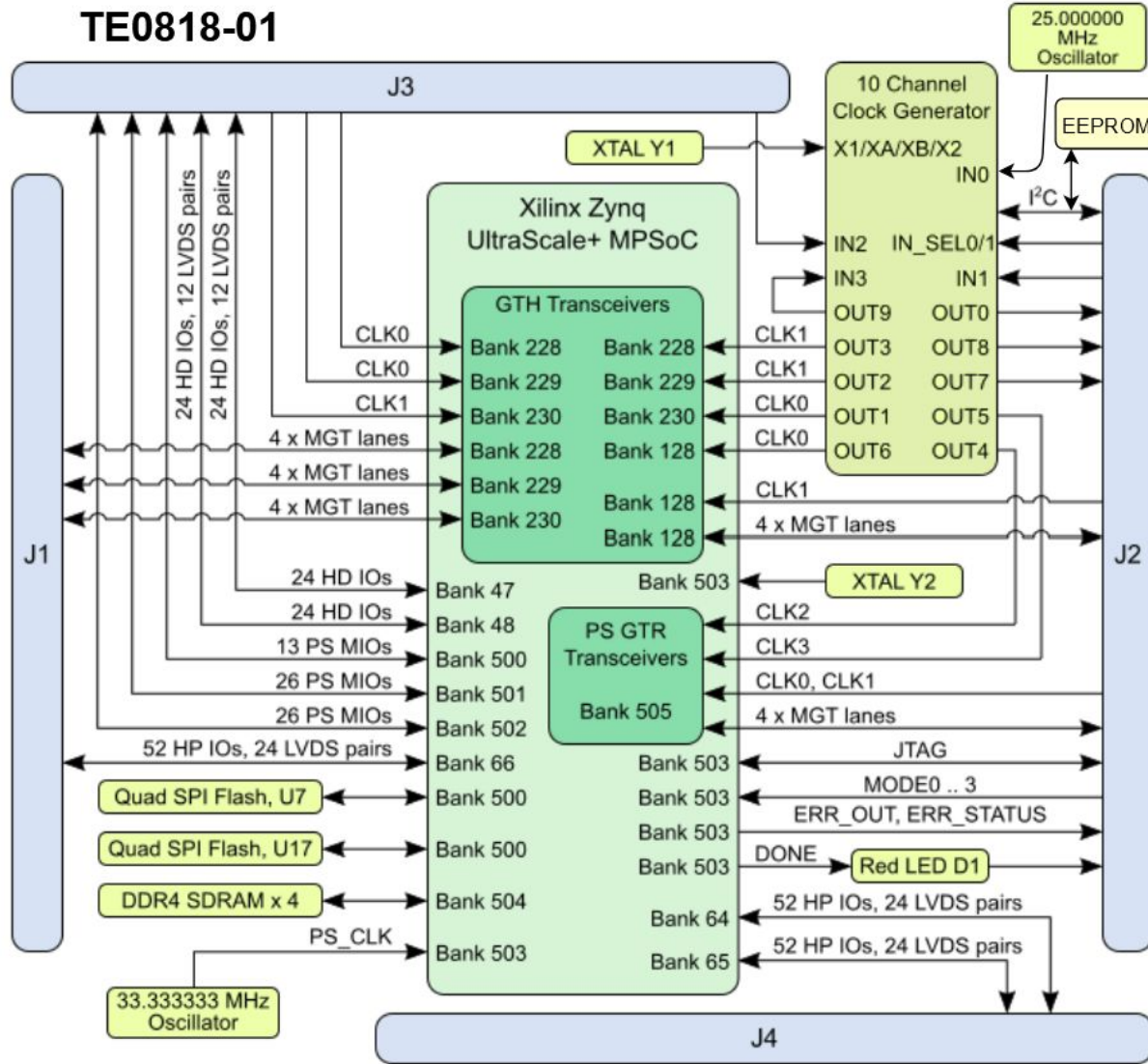
LOGO PRINT

Design drawn by: VT
Checked by: IG
Assembly variant: 9GI21-A
Created by: ED
Modified by: ED
Modified at: 2021-07-08

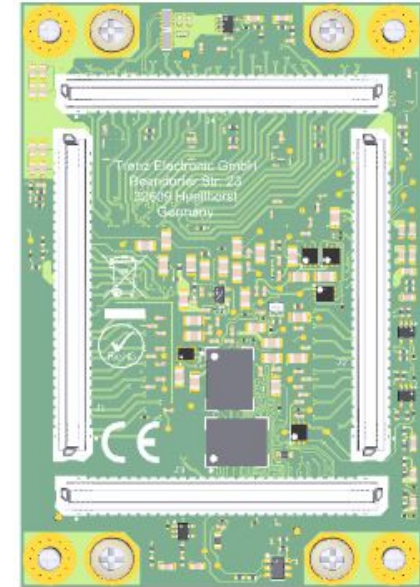
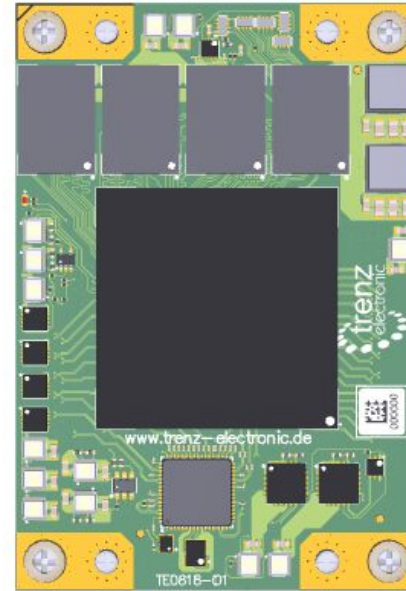
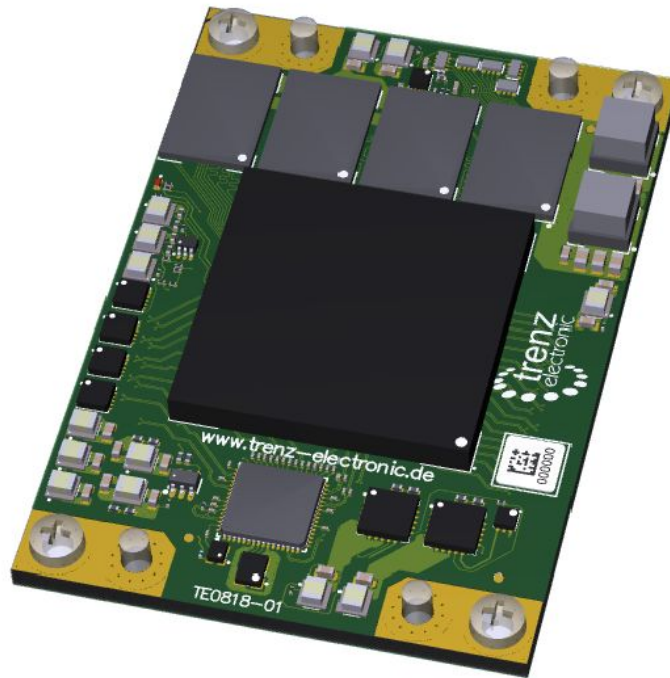


Title: TE0818		
A4	Number: TE0818 9GI21-A	Rev. 01
Date: 2021-08-17	Copyright: Trenz Electronic GmbH	Page 1 of 31
Filename: TE0818.SchDoc		

TE0818-01




			Title: Module TE0818 - System Overview	
			A4	Number: TE0818 9GI21-A
Date: 2021-08-17		Copyright: Trenz Electronic GmbH		Page 2 of 31
Filename: TE0818-Overview.SchDoc				

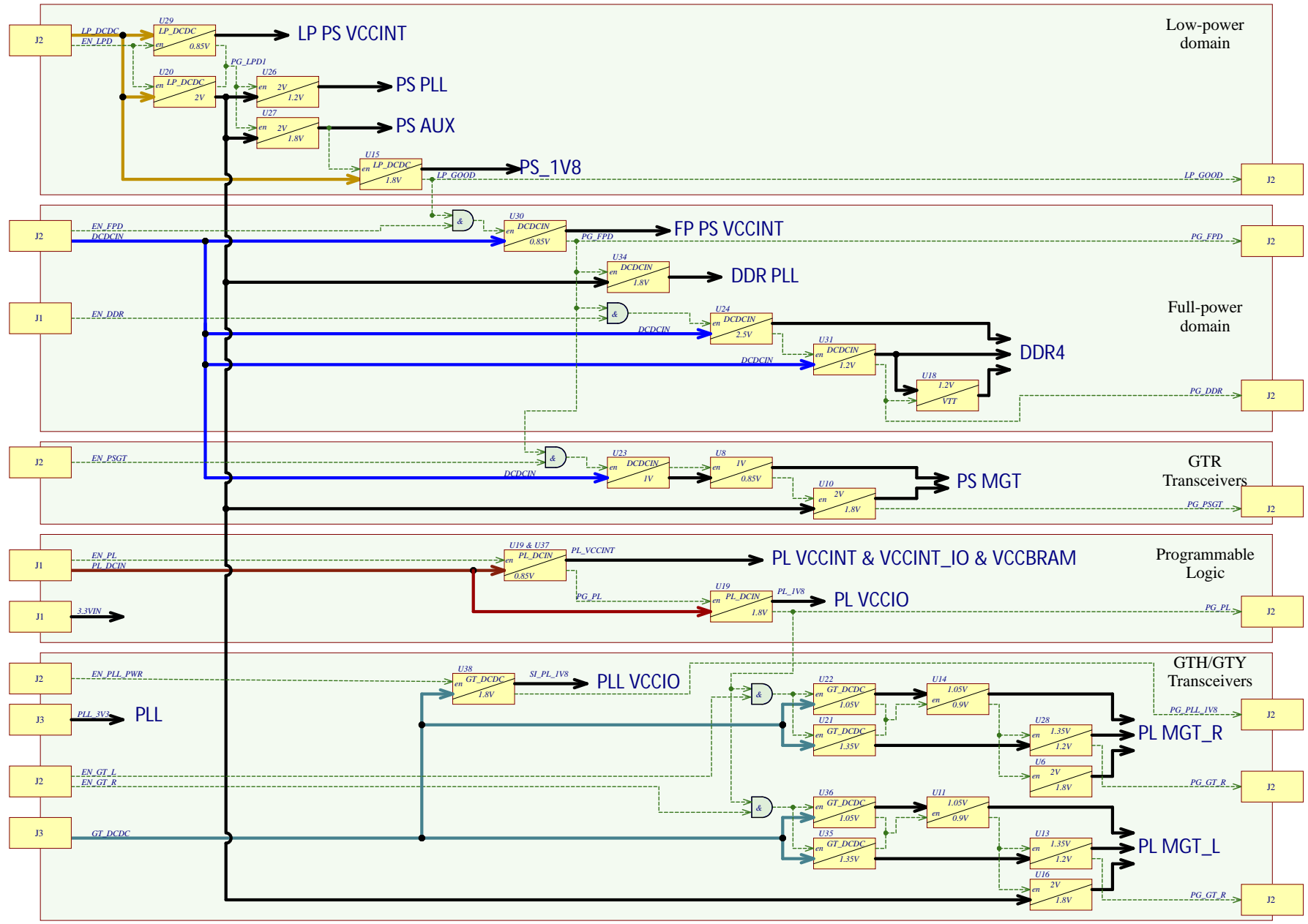


Regarding the usage of our schematics and alike documentation for Trenz module TE0818.

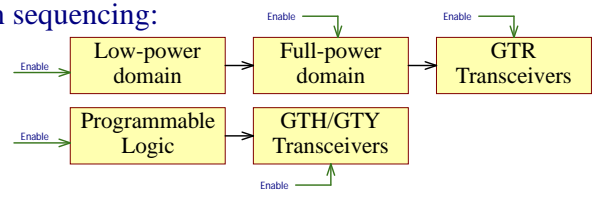
Project is protected under copyright and we strongly and strictly prohibit the reverse engineering or recreation, even if the design is just adapted or modified. TE0818 is protected under such right and in case of plagiarism we will have to do anything necessary in order to protect our assets.

Schematics and other handouts serve for informational purposes only!

	Title: TE0818		
	A4	Number: TE0818 9GI21-A	Rev. 01
	Date: 2021-08-17	Copyright: Trenz Electronic GmbH	Page 3 of 31
	Filename: Legal Notices Modules.SchDoc		



Power-on sequencing:



Legend:

- Net name: EN_GT_R
- Power bus: PL_DCIN
- Control signal: EN_LPDC
- Power bus in FPGA speedgrade -1/-2/-3 assembly variants: EN_PL
- Power bus in FPGA speedgrade -1L/-2L assembly variants (low power): EN_GT_R
- Optional power converter: PL_DCIN 0.9V
- Logic AND gate: $\&$



Title: TE0813 - Power Diagram		
A3	Number: TE0818 9G121-A	Rev. 01
Datum: 2021-01-19	Copyright: Trenz Electronic GmbH	Page 4 of 31
Filename: Power_Diagram.SchDoc		

1

2

3

4

A

A

B

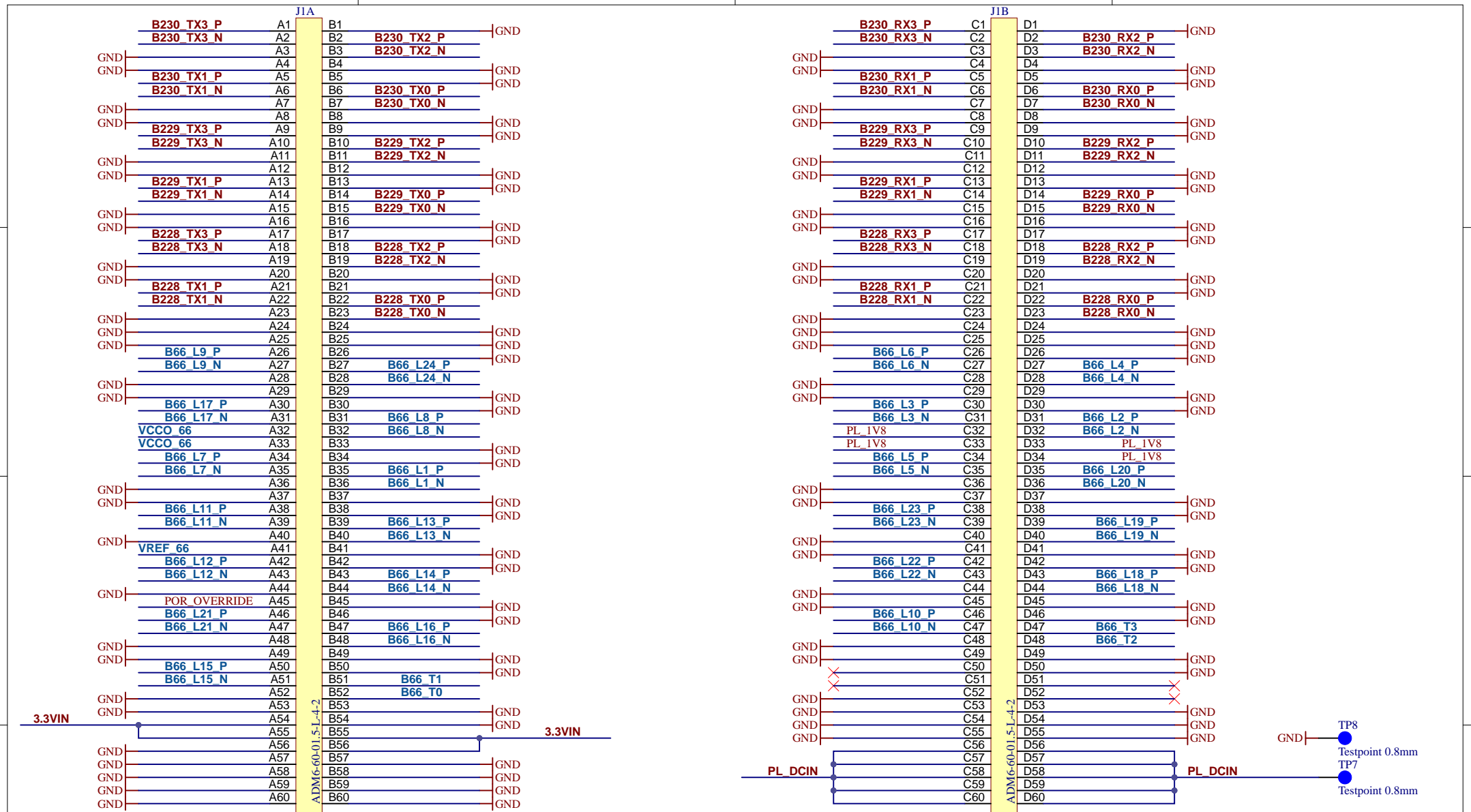
B

C

C

D

D



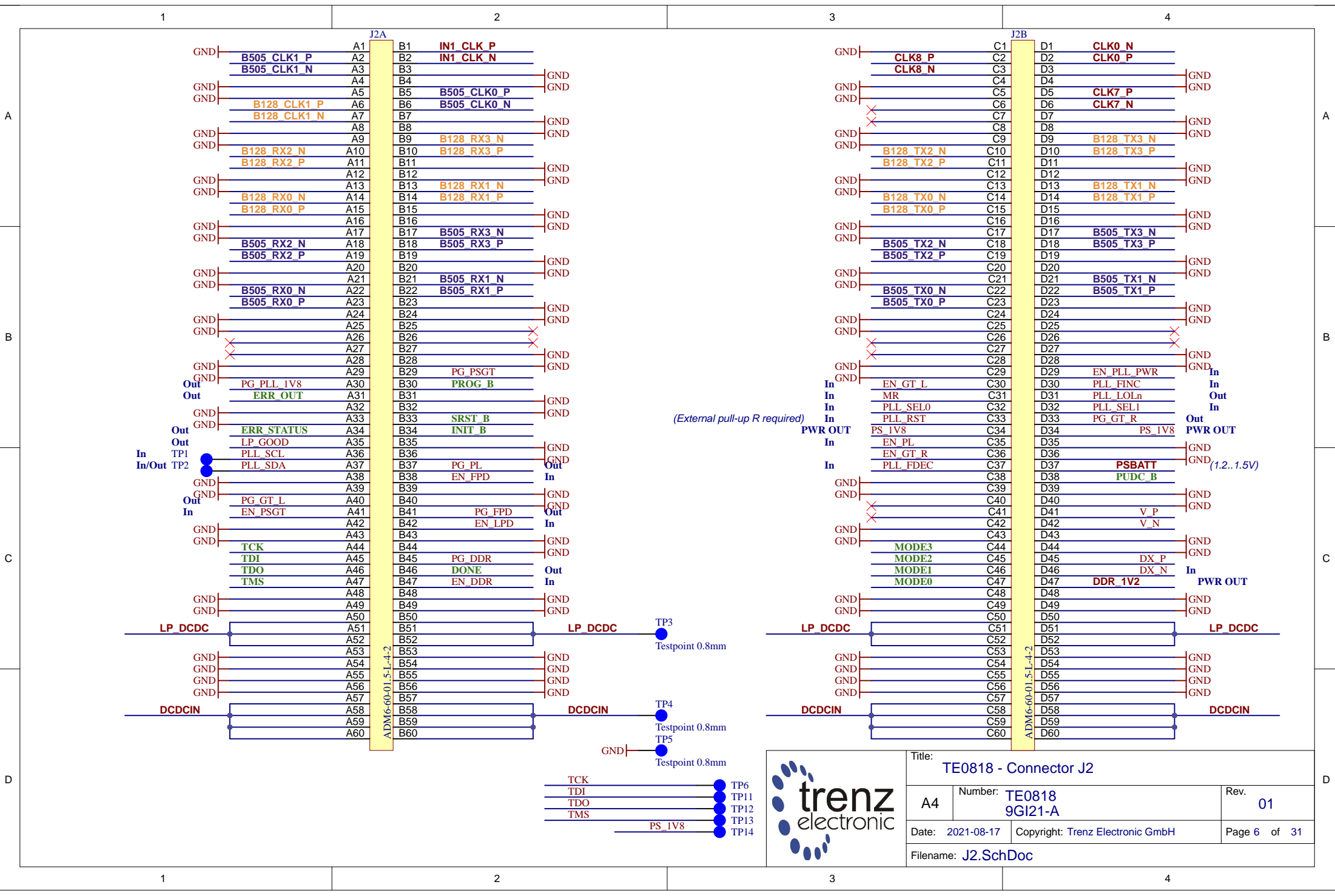
Title: TE0818 - Connector J1		
A4	Number: TE0818 9GI21-A	Rev. 01
Date: 2021-08-17	Copyright: Trenz Electronic GmbH	Page 5 of 31
Filename: J1.SchDoc		

1

2

3

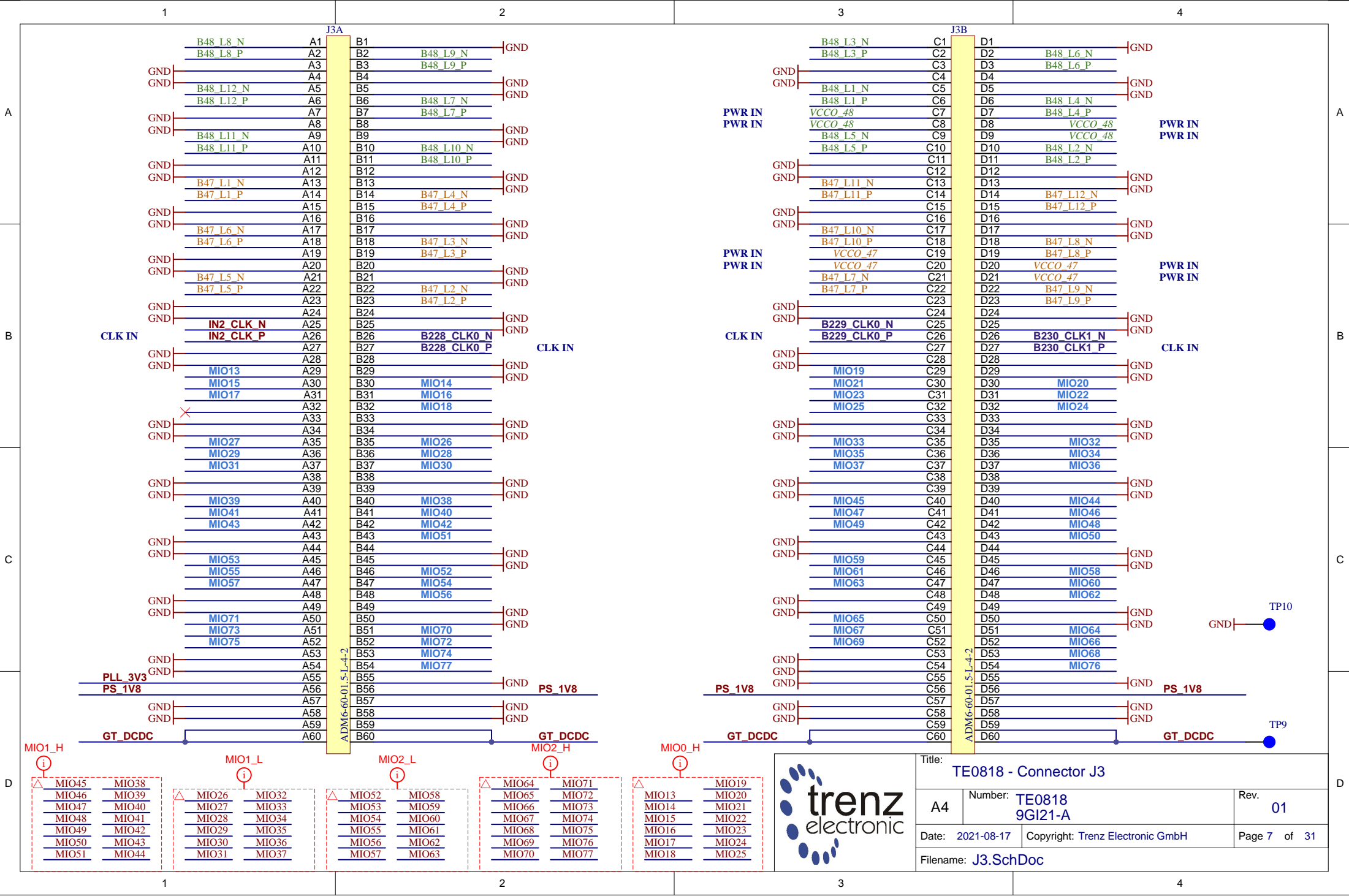
4



(External pull-up R required)



Title: TE0818 - Connector J2		
A4	Number: TE0818 9GI21-A	Rev. 01
Date: 2021-08-17	Copyright: Trenz Electronic GmbH	Page 6 of 31
Filename: J2.SchDoc		



Title: TE0818 - Connector J3		
A4	Number: TE0818 9GI21-A	Rev. 01
Date: 2021-08-17	Copyright: Trenz Electronic GmbH	Page 7 of 31
Filename: J3.SchDoc		

1

2

3

4

A

A

B

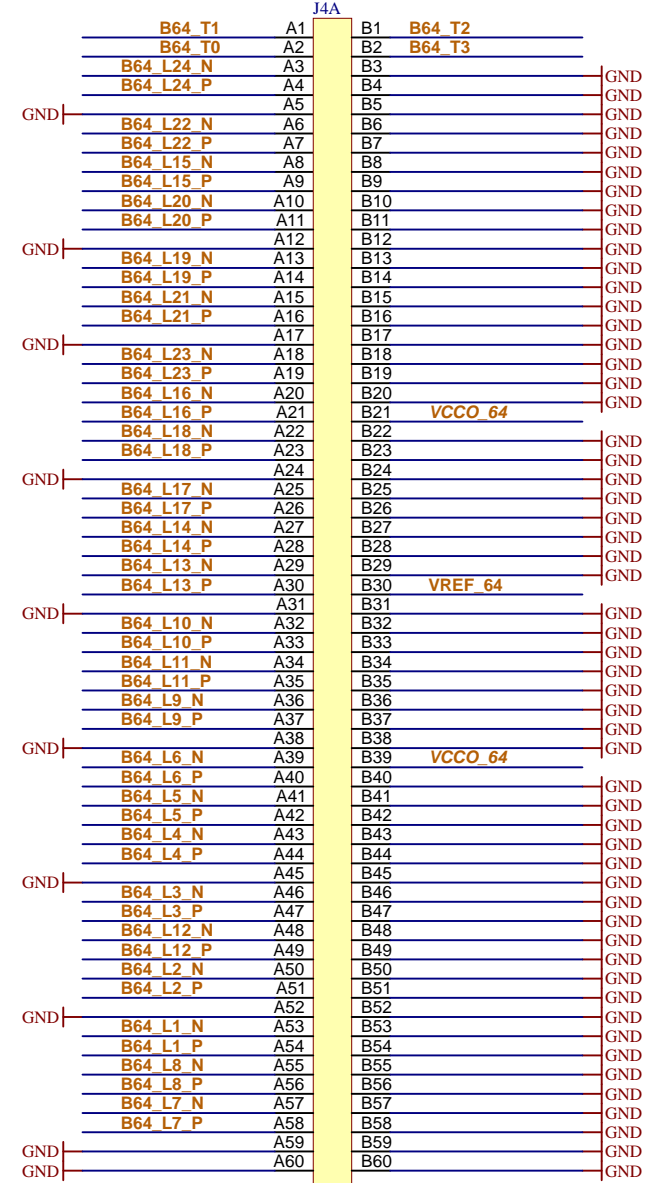
B

C

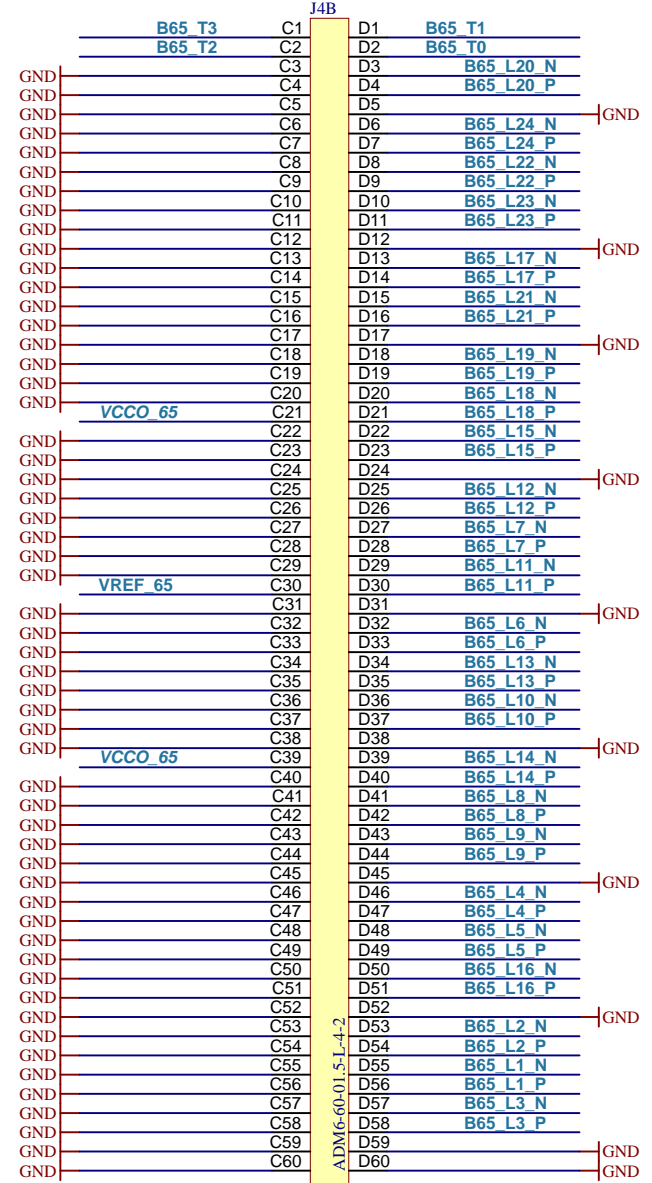
C

D

D



ADM6-60-01.5-L-4-2



ADM6-60-01.5-L-4-2



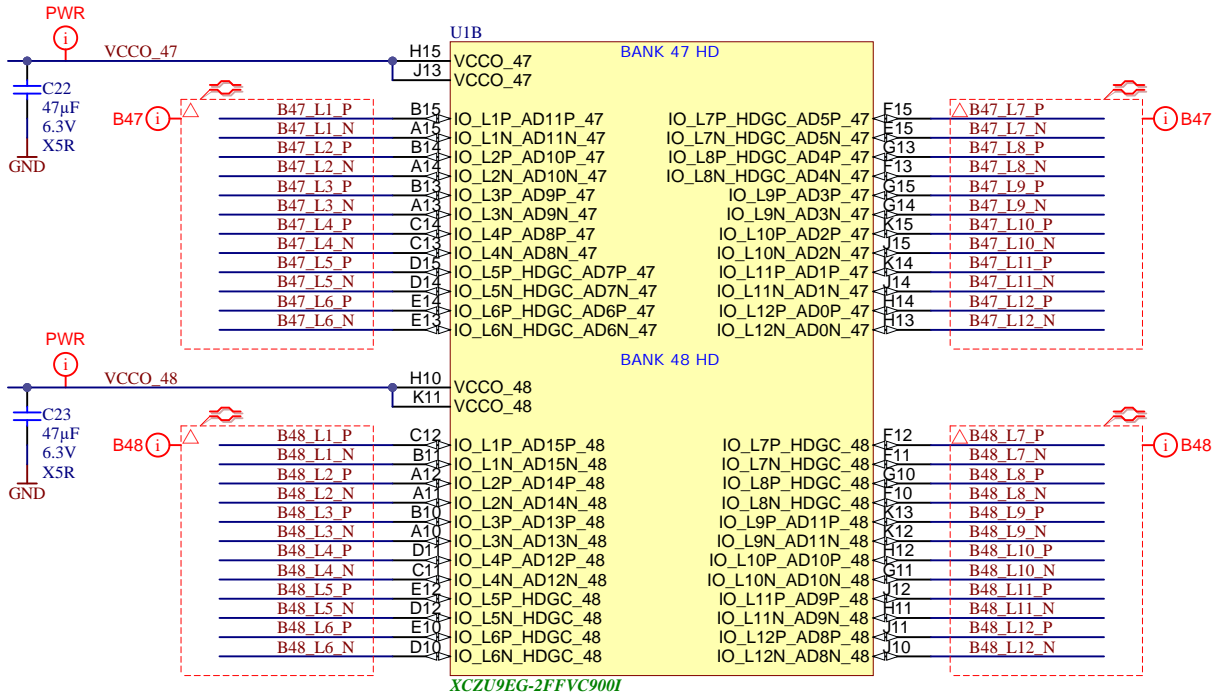
Title: TE0818 - Connector J4		
A4	Number: TE0818 9GI21-A	Rev. 01
Date: 2021-08-17	Copyright: Trenz Electronic GmbH	Page 8 of 31
Filename: J4.SchDoc		

1


2

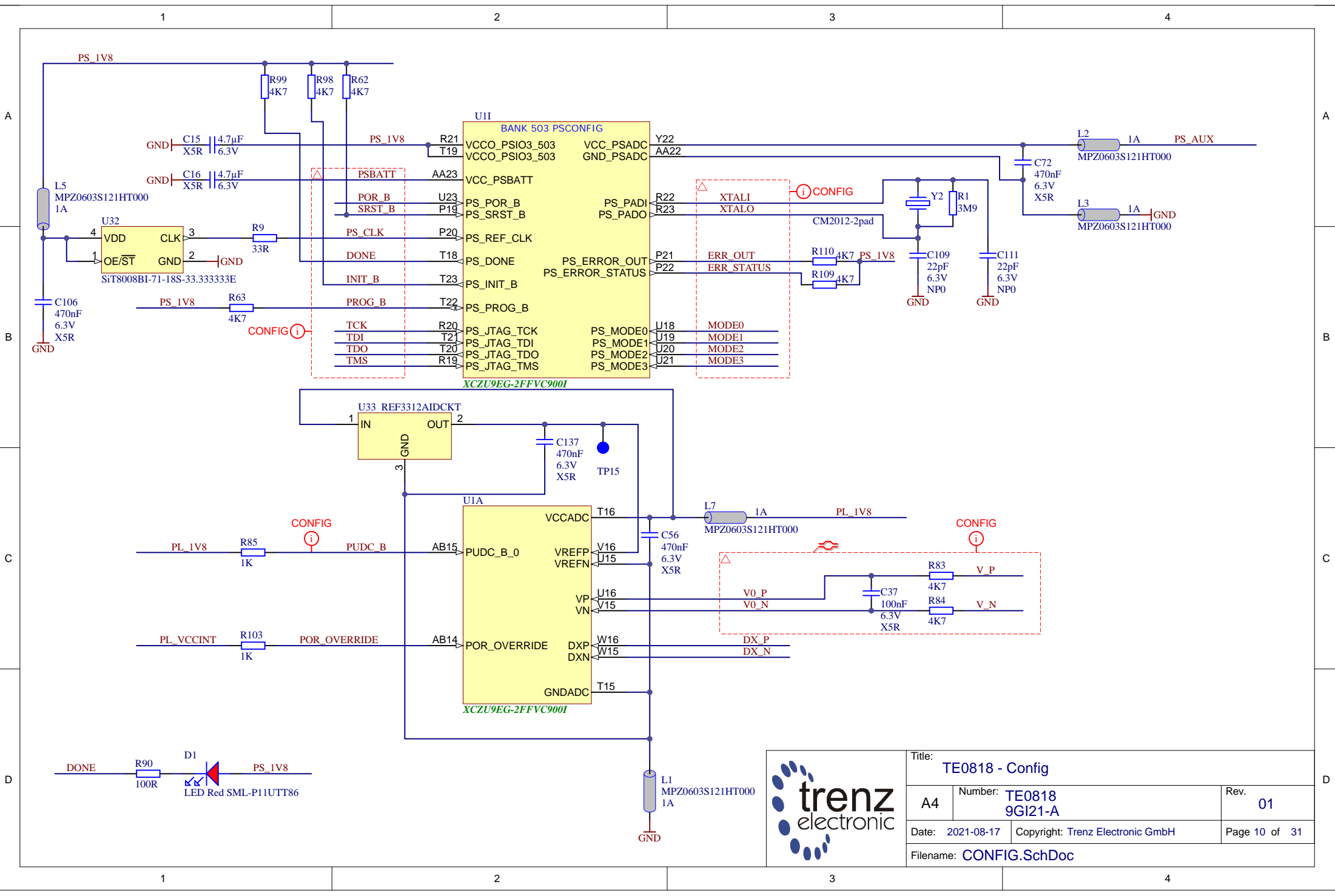
3

4

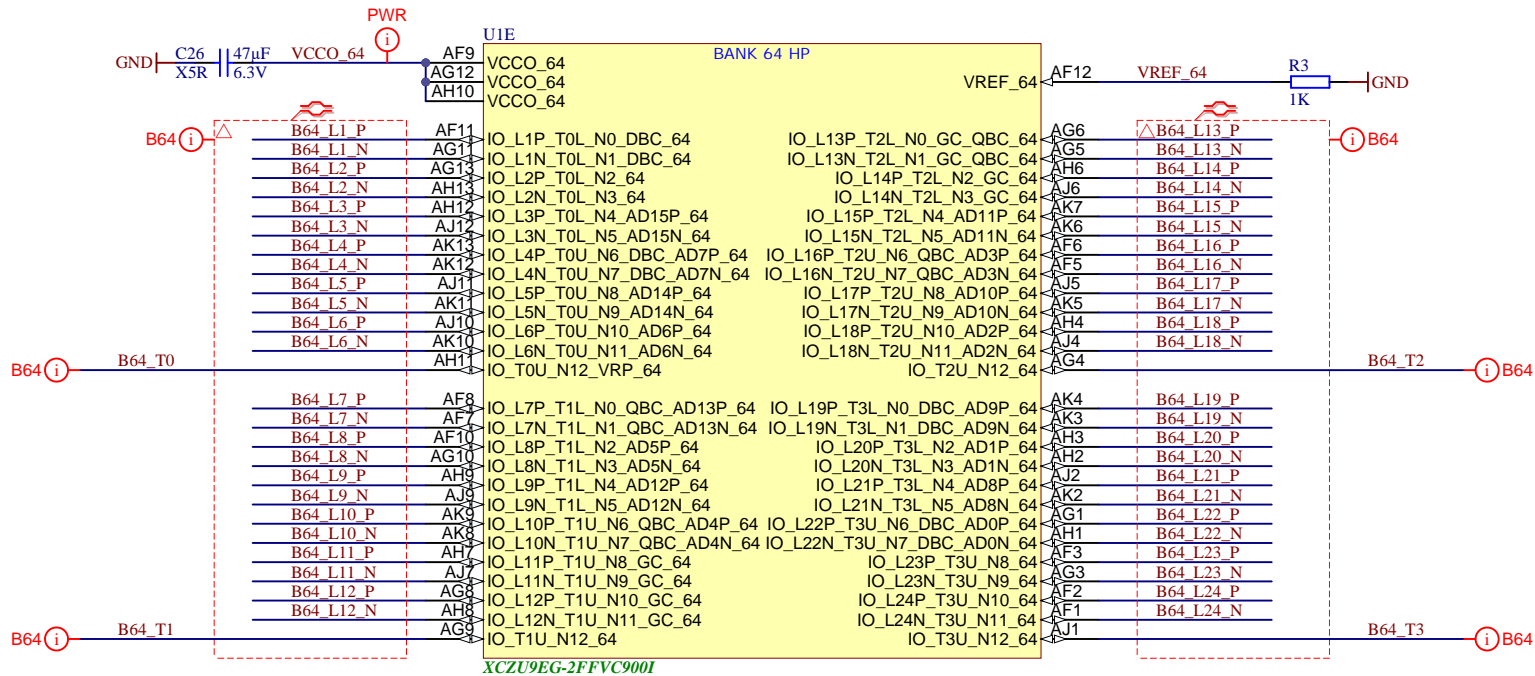


XCZU9EG-2FFVC900I

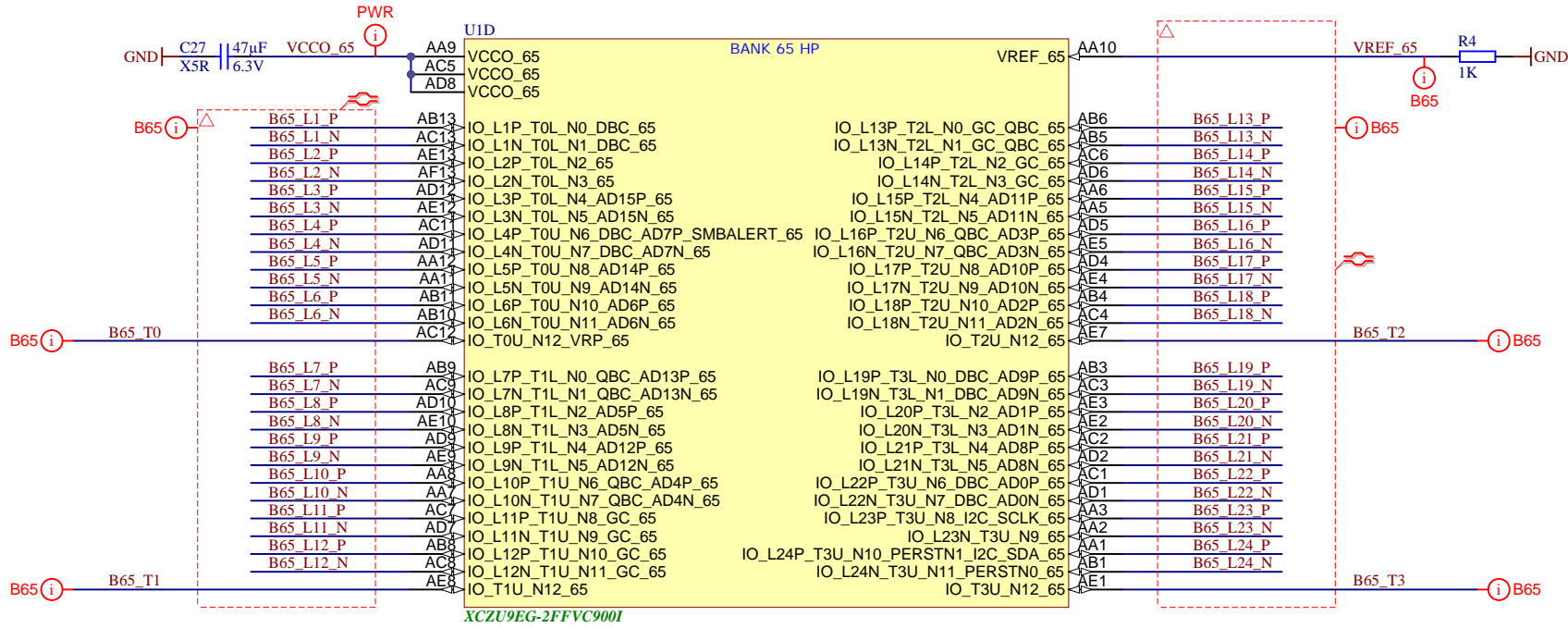
			Title: TE0818 - B47HD and B48HD	
			A4	Number: TE0818 9GI21-A
Date: 2021-08-17		Copyright: Trenz Electronic GmbH		Page 9 of 31
Filename: B_HD.SchDoc				



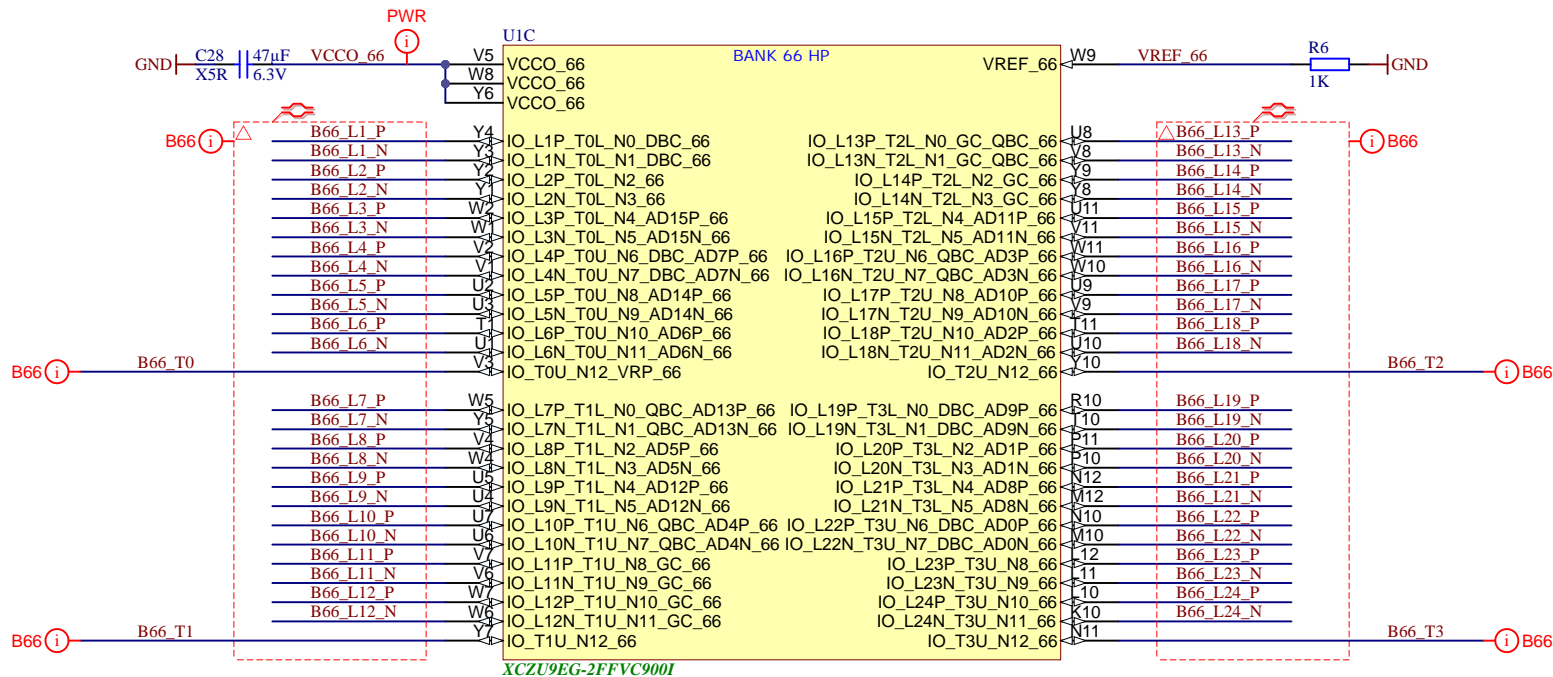

Title: TE0818 - Config		
A4	Number: TE0818 9GI21-A	Rev. 01
Date: 2021-08-17	Copyright: Trenz Electronic GmbH	Page 10 of 31
Filename: CONFIG.SchDoc		



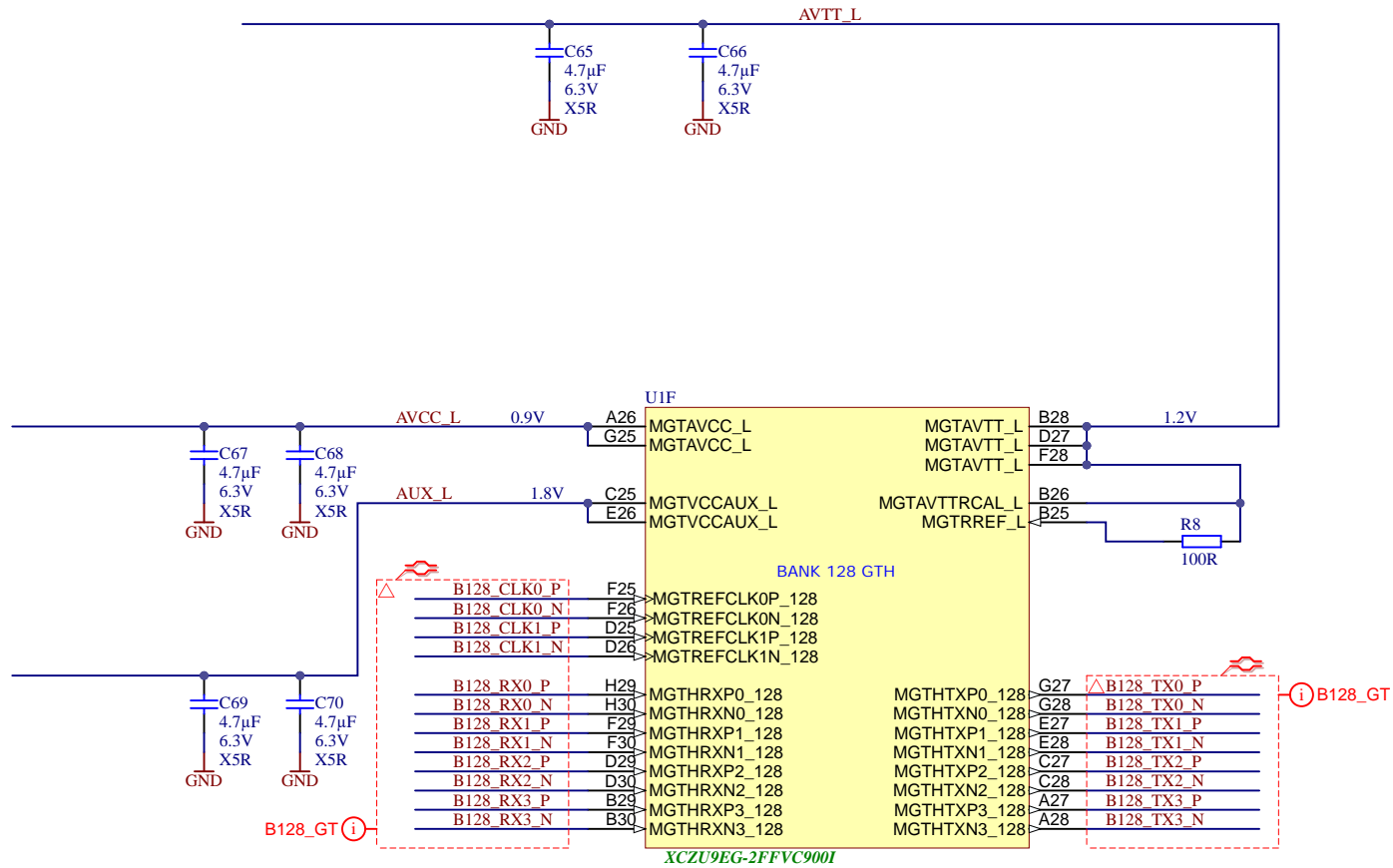
Title: TE0818 - B64		
A4	Number: TE0818 9GI21-A	Rev. 01
Date: 2021-08-17	Copyright: Trenz Electronic GmbH	Page 11 of 31
Filename: B64.SchDoc		




Title: TE0818 - B65		
A4	Number: TE0818 9GI21-A	Rev. 01
Date: 2021-08-17	Copyright: Trenz Electronic GmbH	Page 12 of 31
Filename: B65.SchDoc		

Title: TE0818 - B66		
A4	Number: TE0818 9GI21-A	Rev. 01
Date: 2021-08-17	Copyright: Trenz Electronic GmbH	
Page 13 of 31		
Filename: B66.SchDoc		



		Title: TE0818 - B128GTH	
		A4	Number: TE0818 9GI21-A
Date: 2021-08-17		Copyright: Trenz Electronic GmbH	
Date: 2021-08-17		Page 15 of 31	
Filename: B_GT_2.SchDoc			

A

A

B

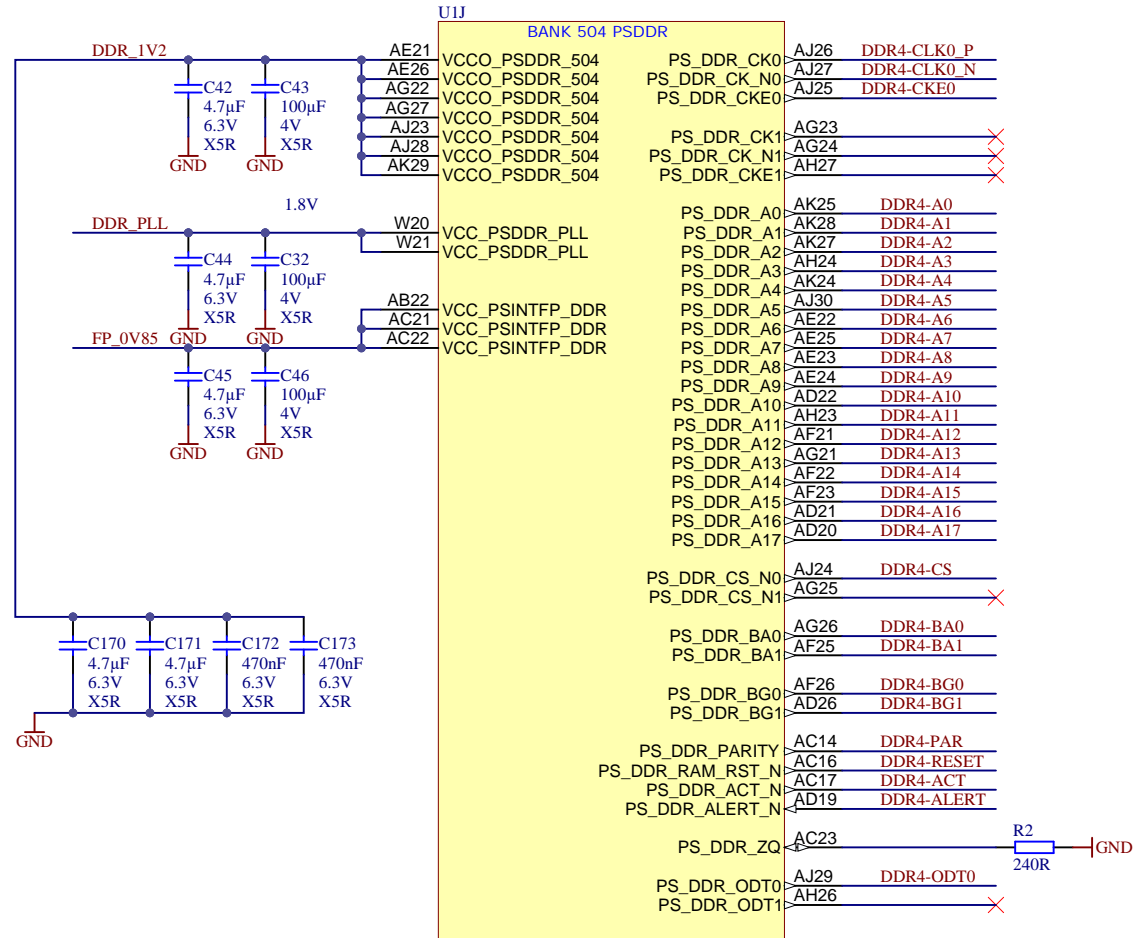
B

C

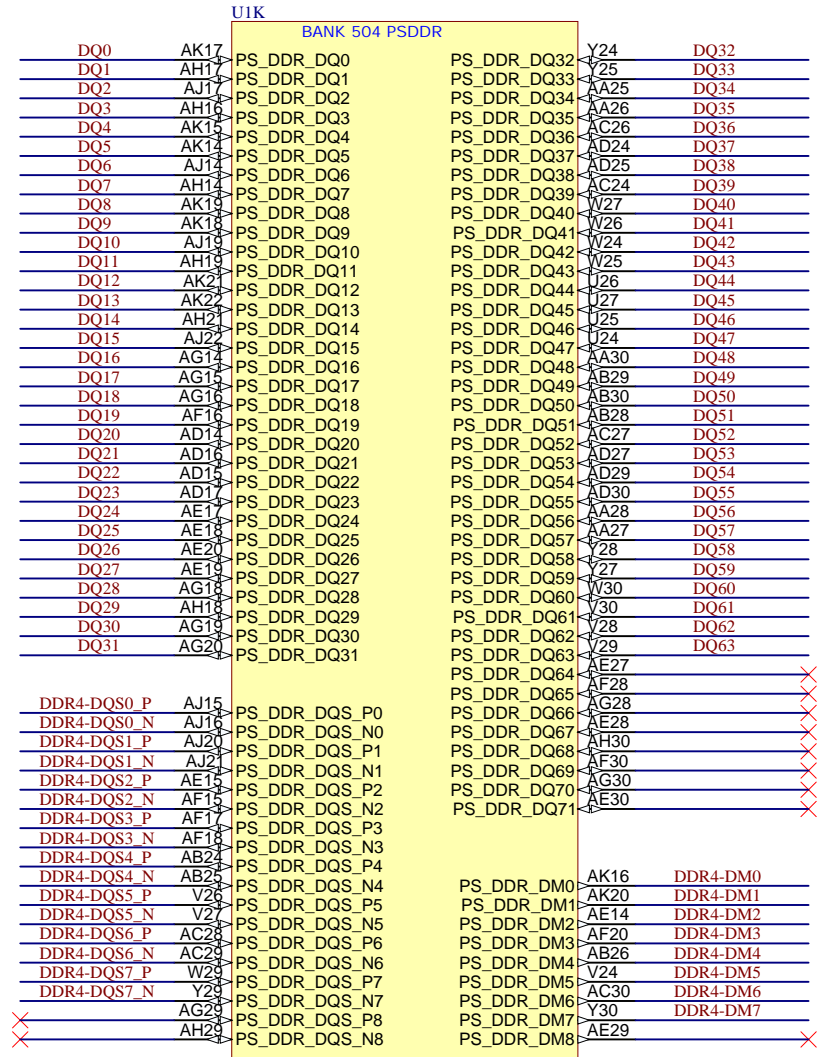
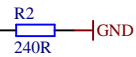
C

D

D



XCZU9EG-2FFVC9001



XCZU9EG-2FFVC9001



Title: TE0818 - PS_DDR		
A4	Number: TE0818 9GI21-A	Rev. 01
Date: 2021-08-17	Copyright: Trenz Electronic GmbH	Page 17 of 31
Filename: PS_DDR.SchDoc		

1

2

3

4

A

A

B

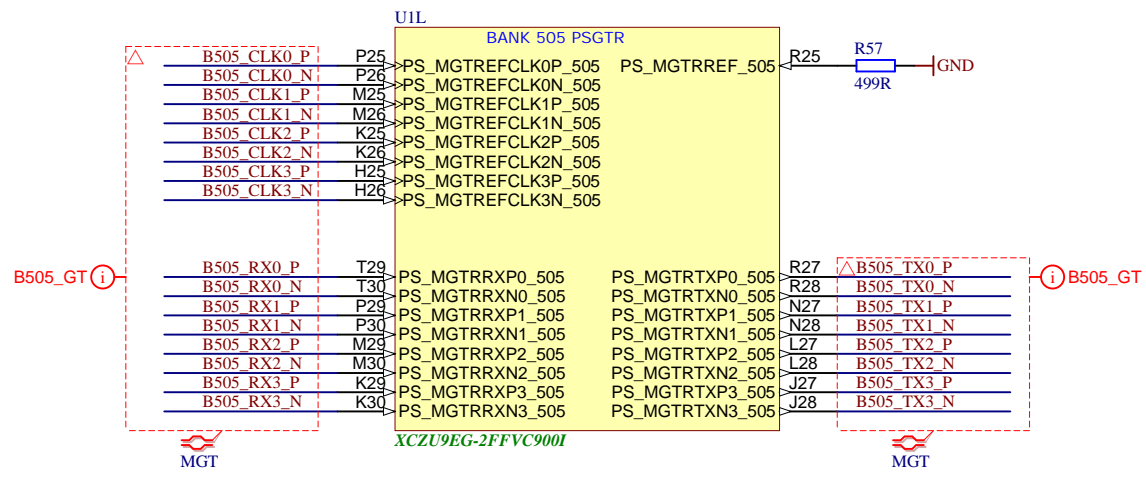
B


C

C

D

D



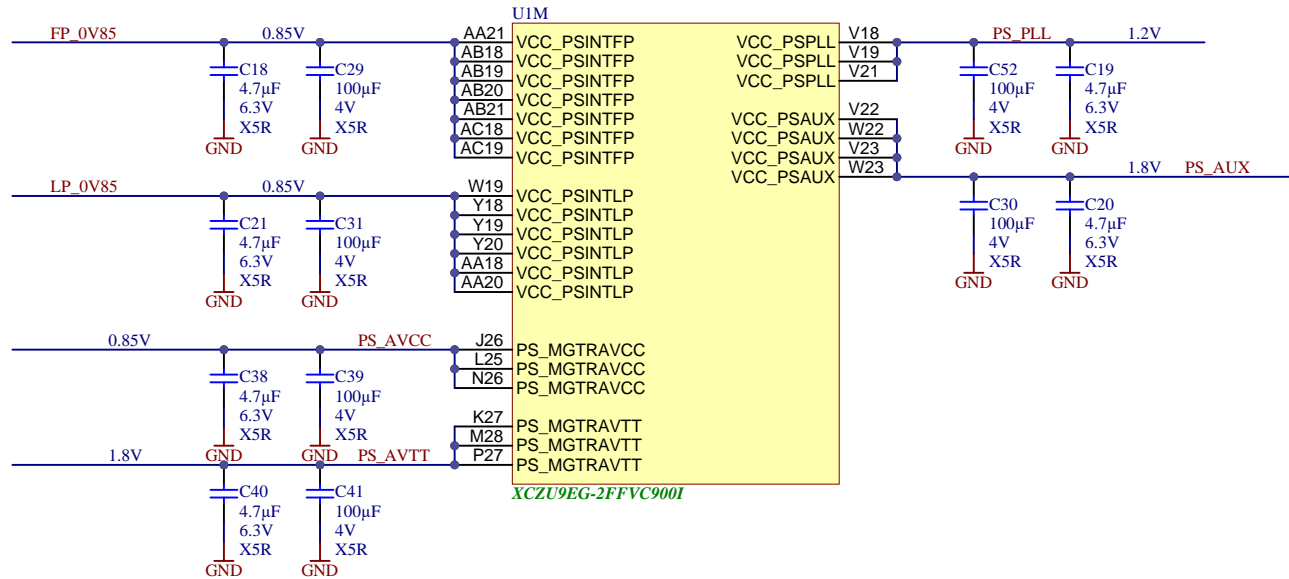
	Title: TE0818 - PS_GT		
	A4	Number: TE0818 9GI21-A	Rev. 01
	Date: 2021-08-17	Copyright: Trenz Electronic GmbH	Page 18 of 31
	Filename: B_PS_GT.SchDoc		


1

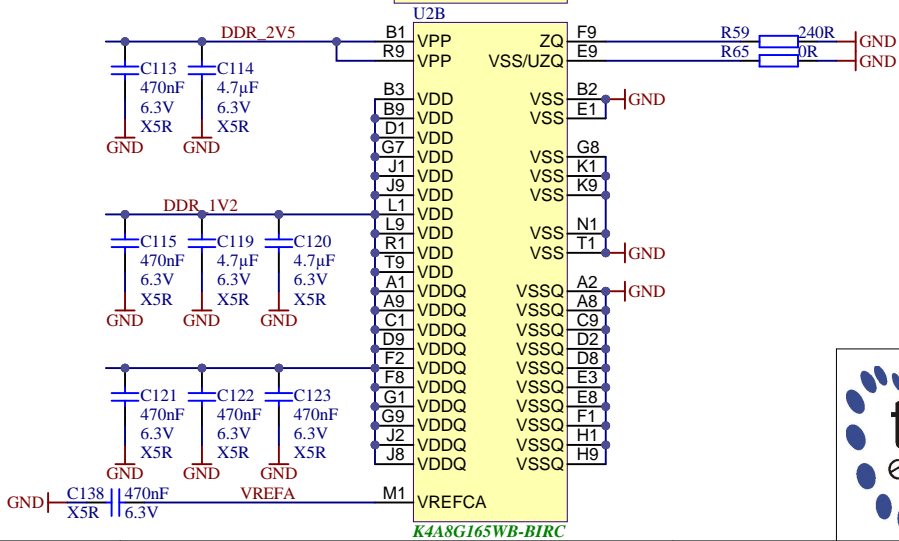
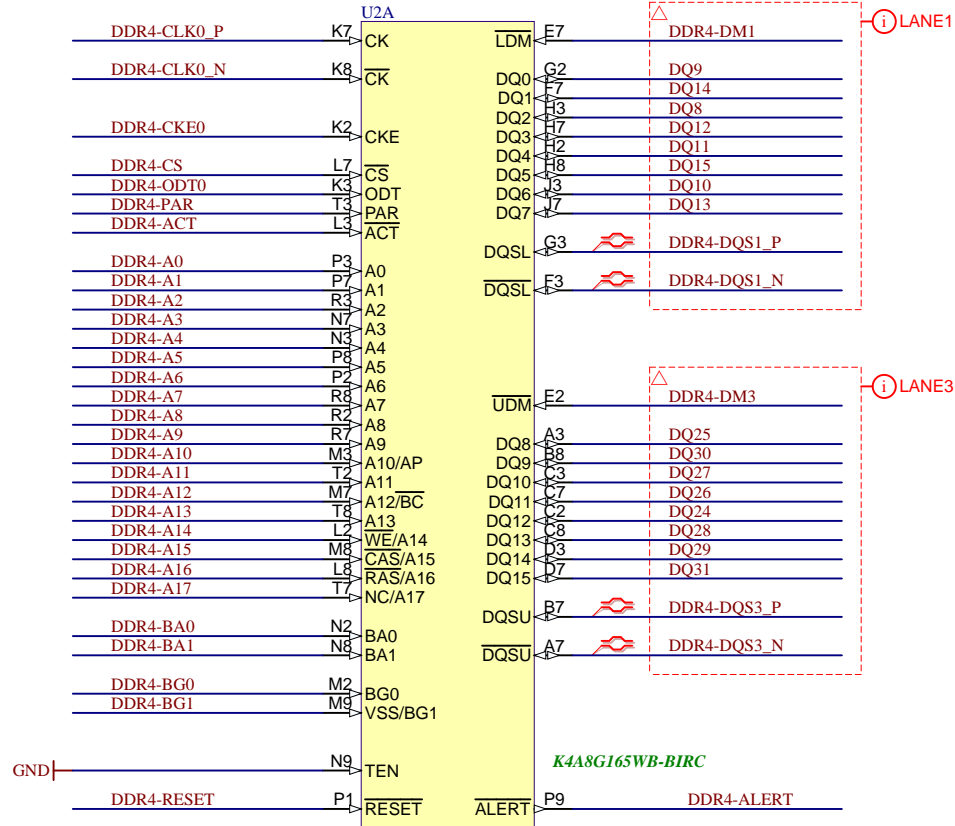
2

3

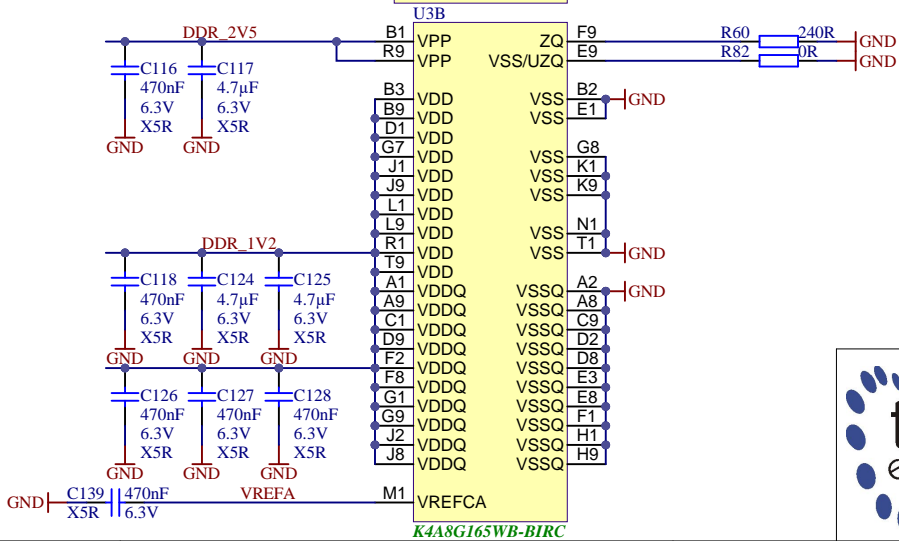
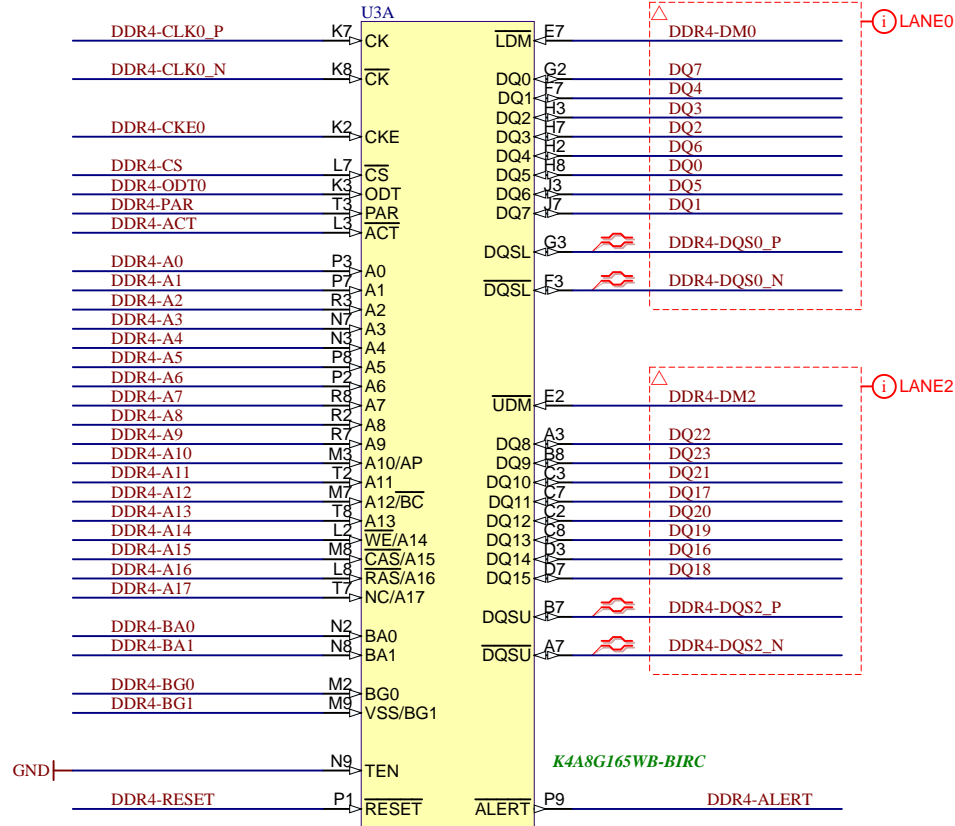
4



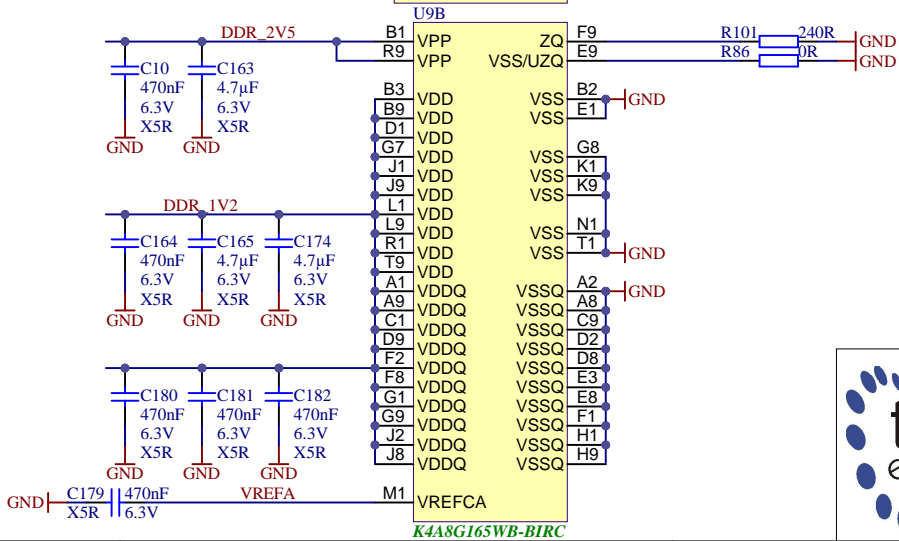
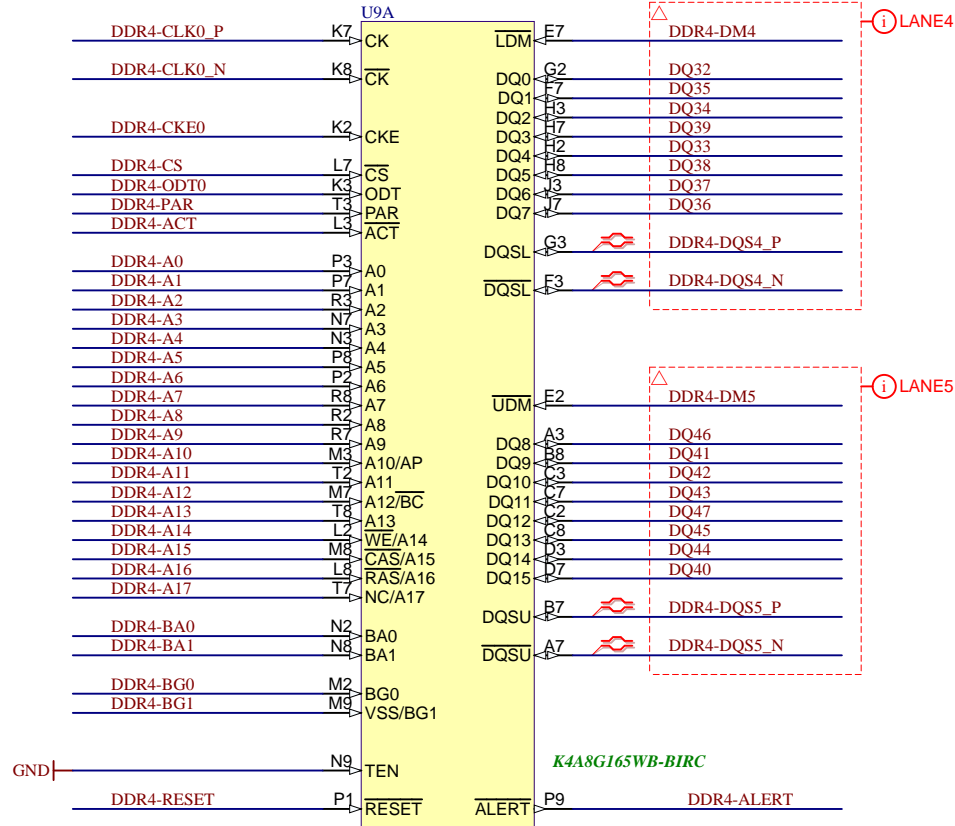
	Title: TE0818 - ZU_PS_POWER	
	A4	Number: TE0818 9GI21-A
	Date: 2021-08-17	Copyright: Trenz Electronic GmbH
	Filename: ZU_PS_POWER.SchDoc	
	Rev. 01	Page 19 of 31



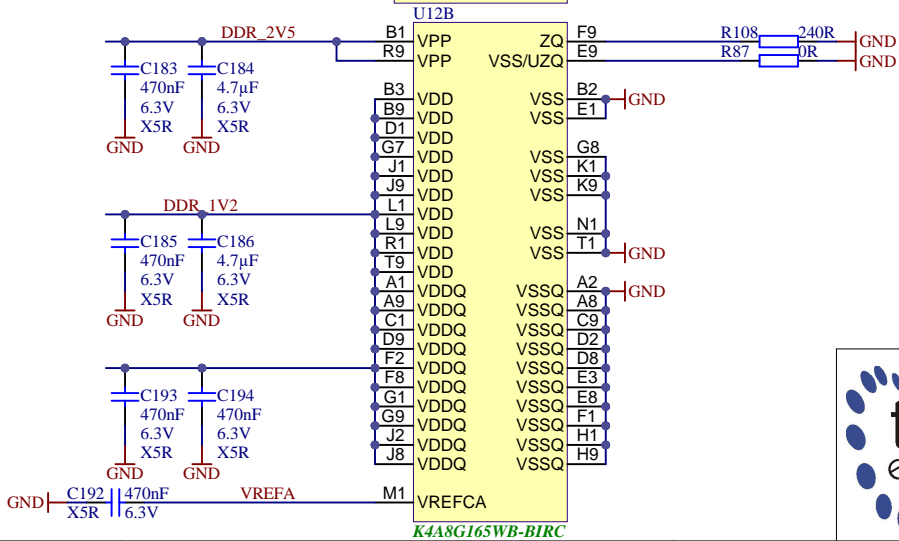
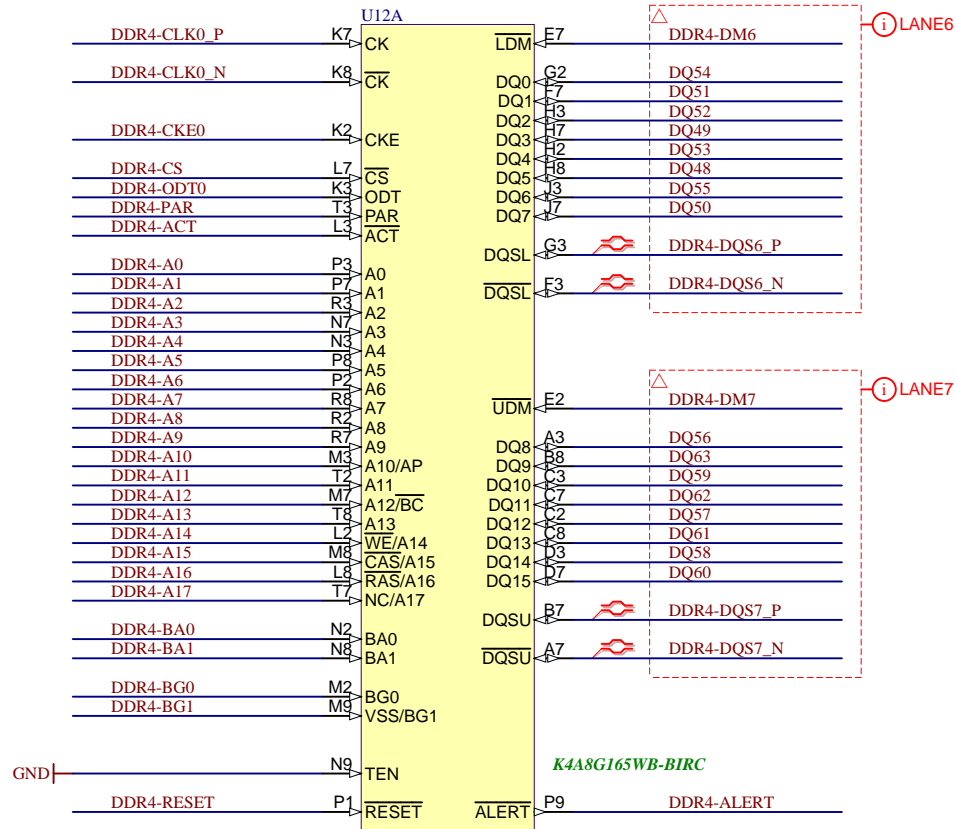
Title: TE0818 - DDR4_1_RAM		
A4	Number: TE0818 9GI21-A	Rev. 01
Date: 2021-08-17	Copyright: Trenz Electronic GmbH	Page 21 of 31
Filename: DDR4-RAM.SchDoc		



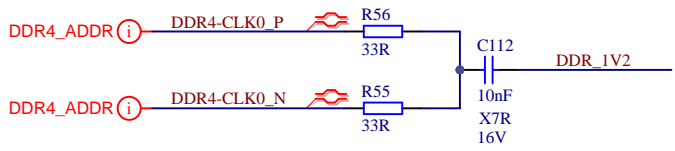
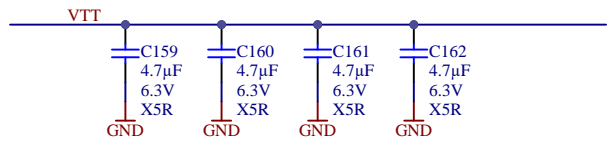
Title: TE0818 - DDR4_2_RAM		
A4	Number: TE0818 9GI21-A	Rev. 01
Date: 2021-08-17	Copyright: Trenz Electronic GmbH	Page 22 of 31
Filename: DDR4-RAM_2.SchDoc		



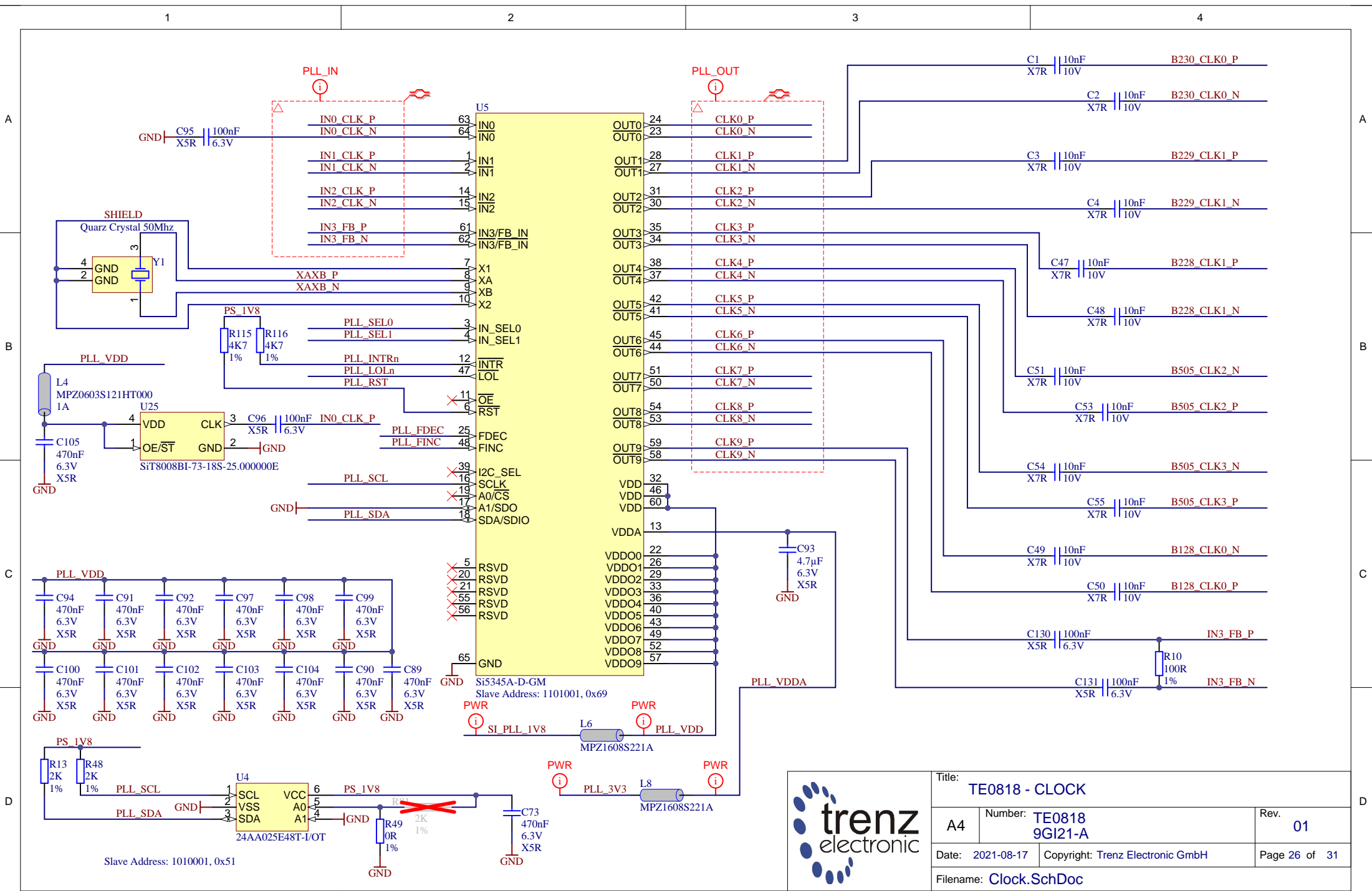
Title: TE0818 - DDR4_3_RAM		
A4	Number: TE0818 9GI21-A	Rev. 01
Date: 2021-08-17	Copyright: Trenz Electronic GmbH	Page 23 of 31
Filename: DDR4-RAM_3.SchDoc		



Title: TE0818 - DDR4_4_RAM		
A4	Number: TE0818 9GI21-A	Rev. 01
Date: 2021-08-17	Copyright: Trenz Electronic GmbH	Page 24 of 31
Filename: DDR4-RAM_4.SchDoc		



Title: TE0818 - DDR4_TERM		
A4	Number: TE0818 9GI21-A	Rev. 01
Date: 2021-08-17	Copyright: Trenz Electronic GmbH	Page 25 of 31
Filename: DDR4-TERM.SchDoc		



Title: TE0818 - CLOCK		
A4	Number: TE0818 9GI21-A	Rev. 01
Date: 2021-08-17	Copyright: Trenz Electronic GmbH	Page 26 of 31
Filename: Clock.SchDoc		

A

B

C

D

A

B

C

D

1

2

3

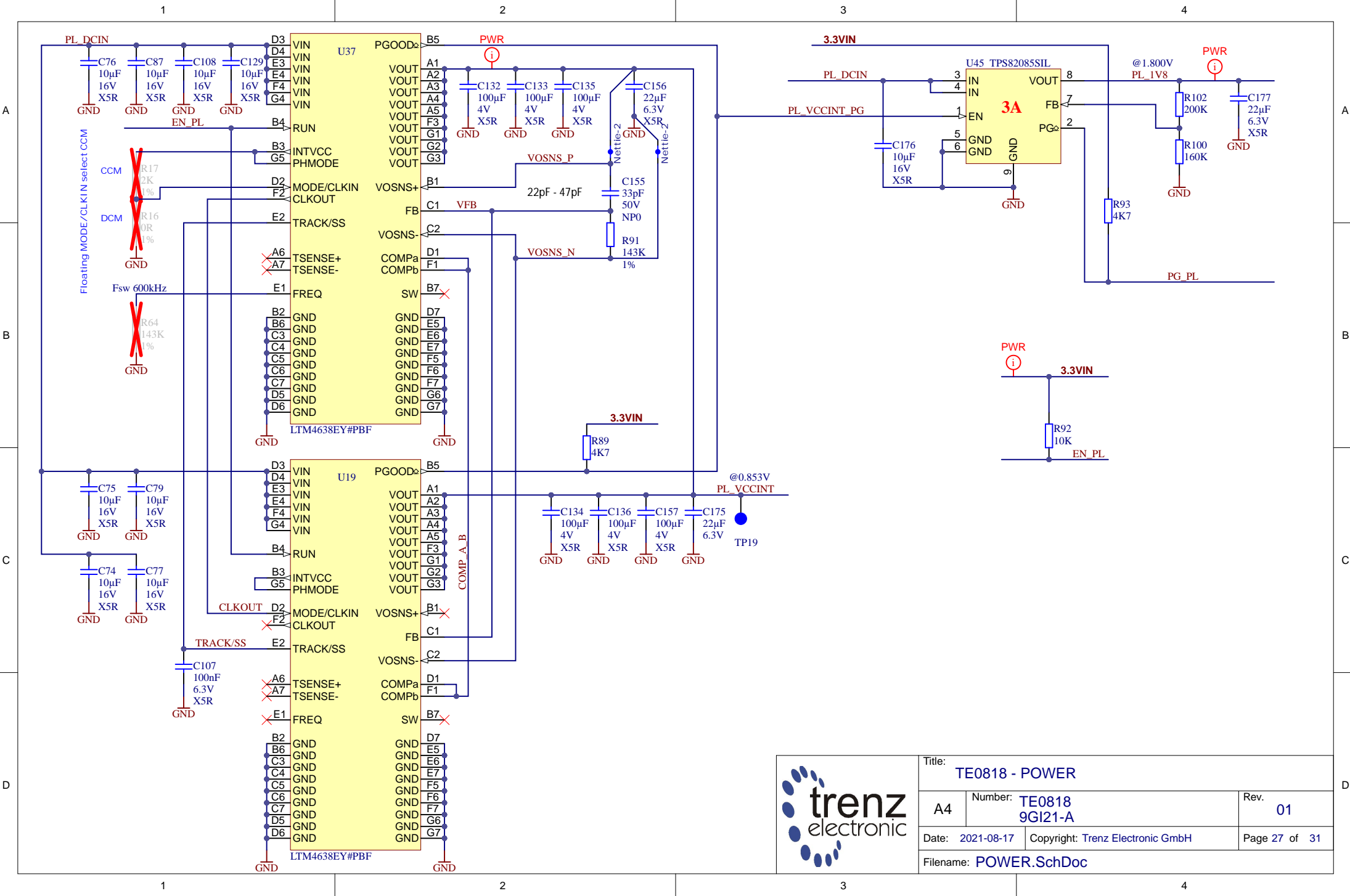
4


1

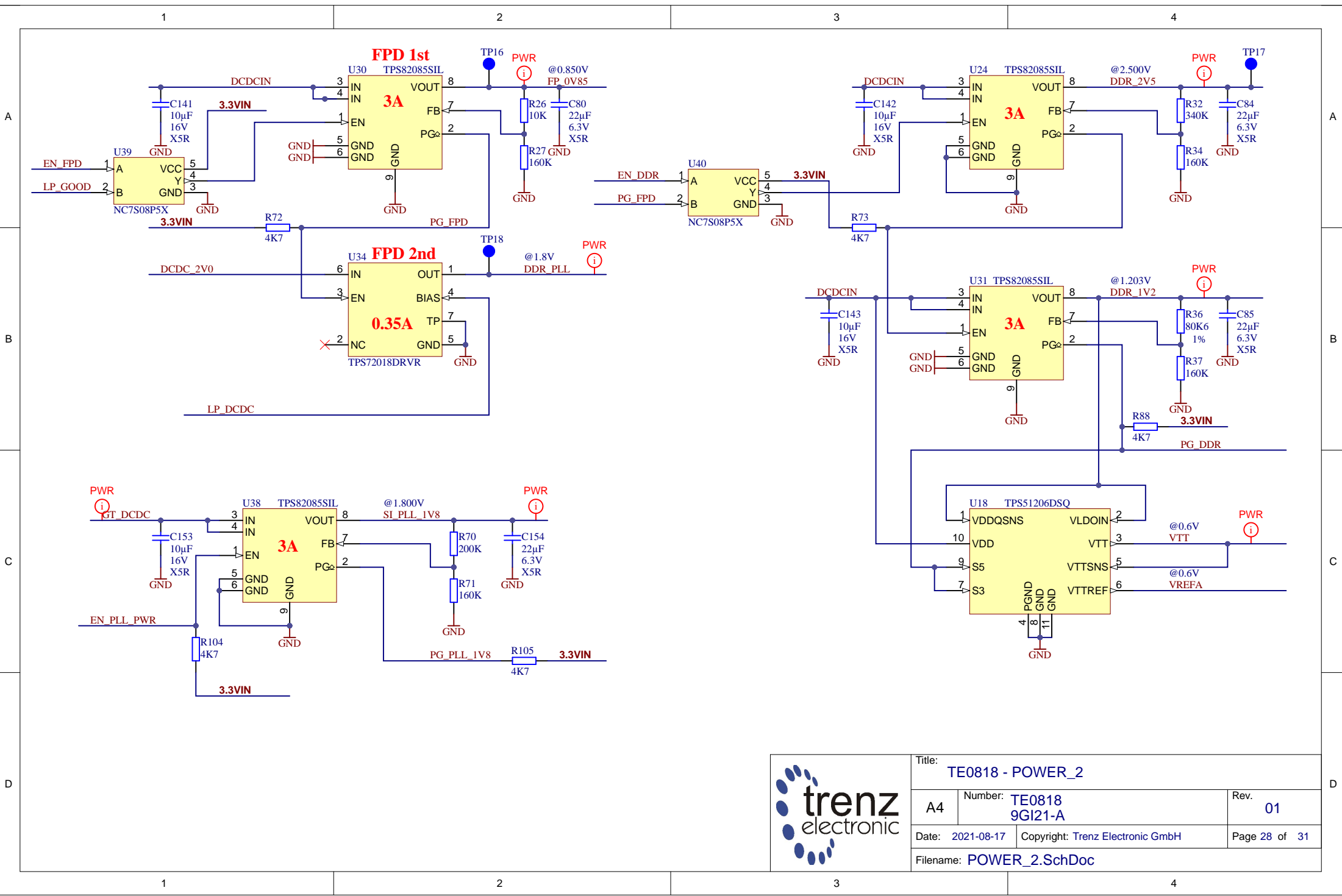
2


3

4

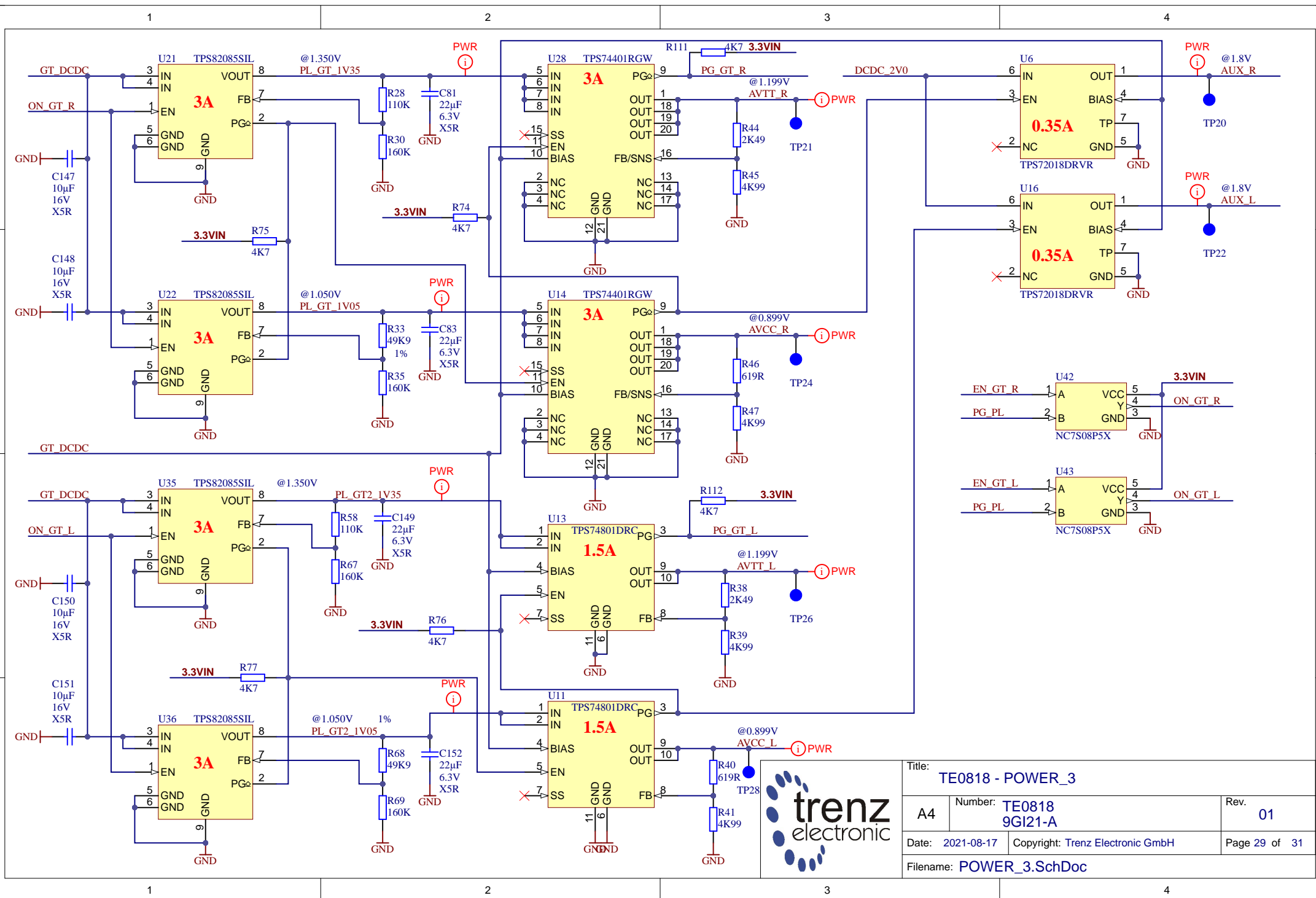


			Title: TE0818 - POWER	
			A4	Number: TE0818 9GI21-A
Date: 2021-08-17		Copyright: Trenz Electronic GmbH		Page 27 of 31
Filename: POWER.SchDoc				



	Title: TE0818 - POWER_2	
	A4	Number: TE0818 9GI21-A
	Date: 2021-08-17	Copyright: Trenz Electronic GmbH
	Filename: POWER_2.SchDoc	

Rev. 01
Page 28 of 31



Title: TE0818 - POWER_3		
A4	Number: TE0818 9GI21-A	Rev. 01
Date: 2021-08-17	Copyright: Trenz Electronic GmbH	
Filename: POWER_3.SchDoc		Page 29 of 31

1

2

3

4

A

A

B

B


C

C

D

D

REV	DATE	Description	
-01	2021-05	Initial revision	VT

	Title: TE0818 - Changes list		
	A4	Number: TE0818 9GI21-A	Rev. 01
	Date: 2021-08-17	Copyright: Trenz Electronic GmbH	Page 31 of 31
	Filename: Revision_Changes.SchDoc		

1

2

3

4