

1

2

3

4

A

A

B

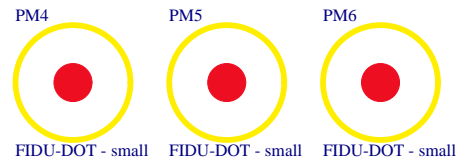
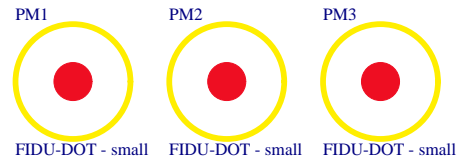
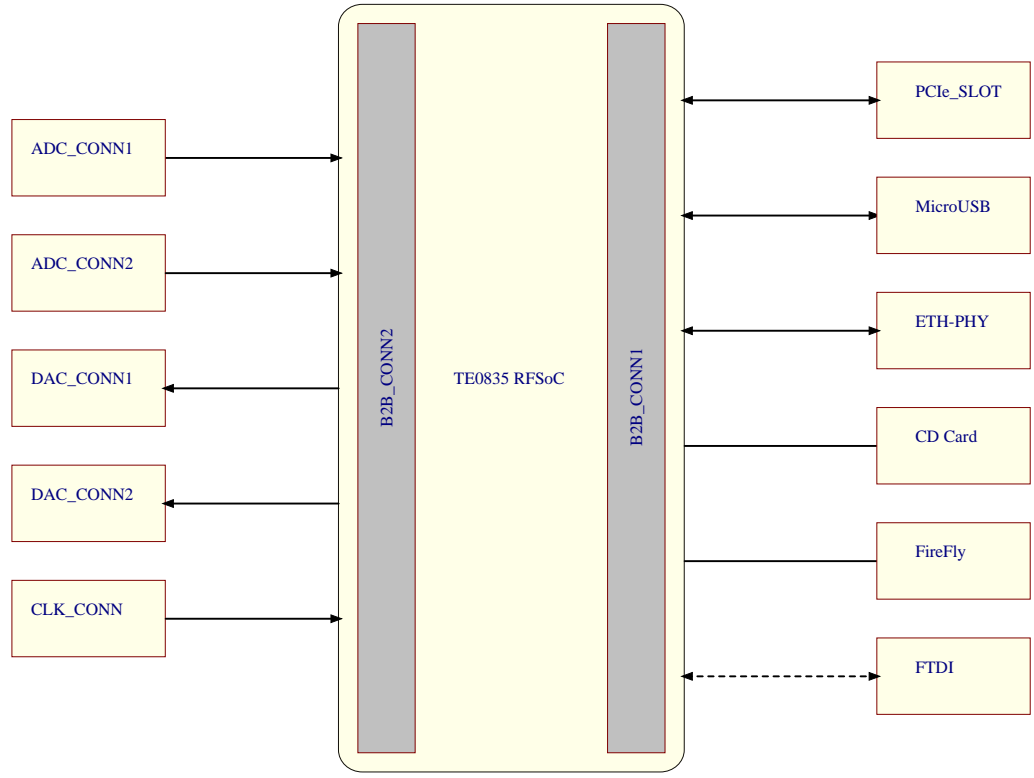
B

C

C

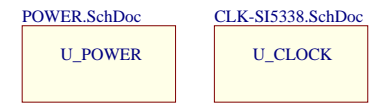
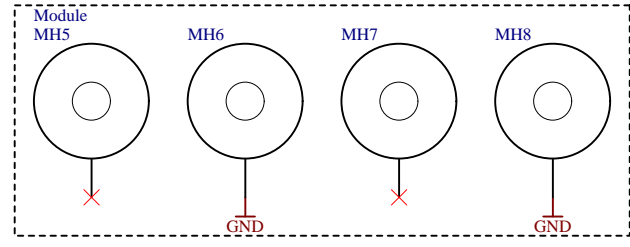
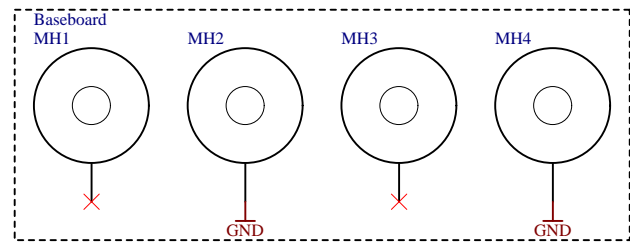

D

D



Serial1  
Serial  
Serialnumber 6,3 x 6.3mm

LOGO1  
TE Logo PRINT Layer  
LOGO PRINT

Title: <b>TEB0835</b>		
A4	Number: <b>TEB0835 P</b>	Rev. <b>01</b>
Date: 2019-11-19	Copyright: Trenz Electronic GmbH	Page 1 of 20
Drawn by: IG	Filename: <b>TEB0835.SchDoc</b>	

1

2

3

4

1

2

3

4

A

A

B

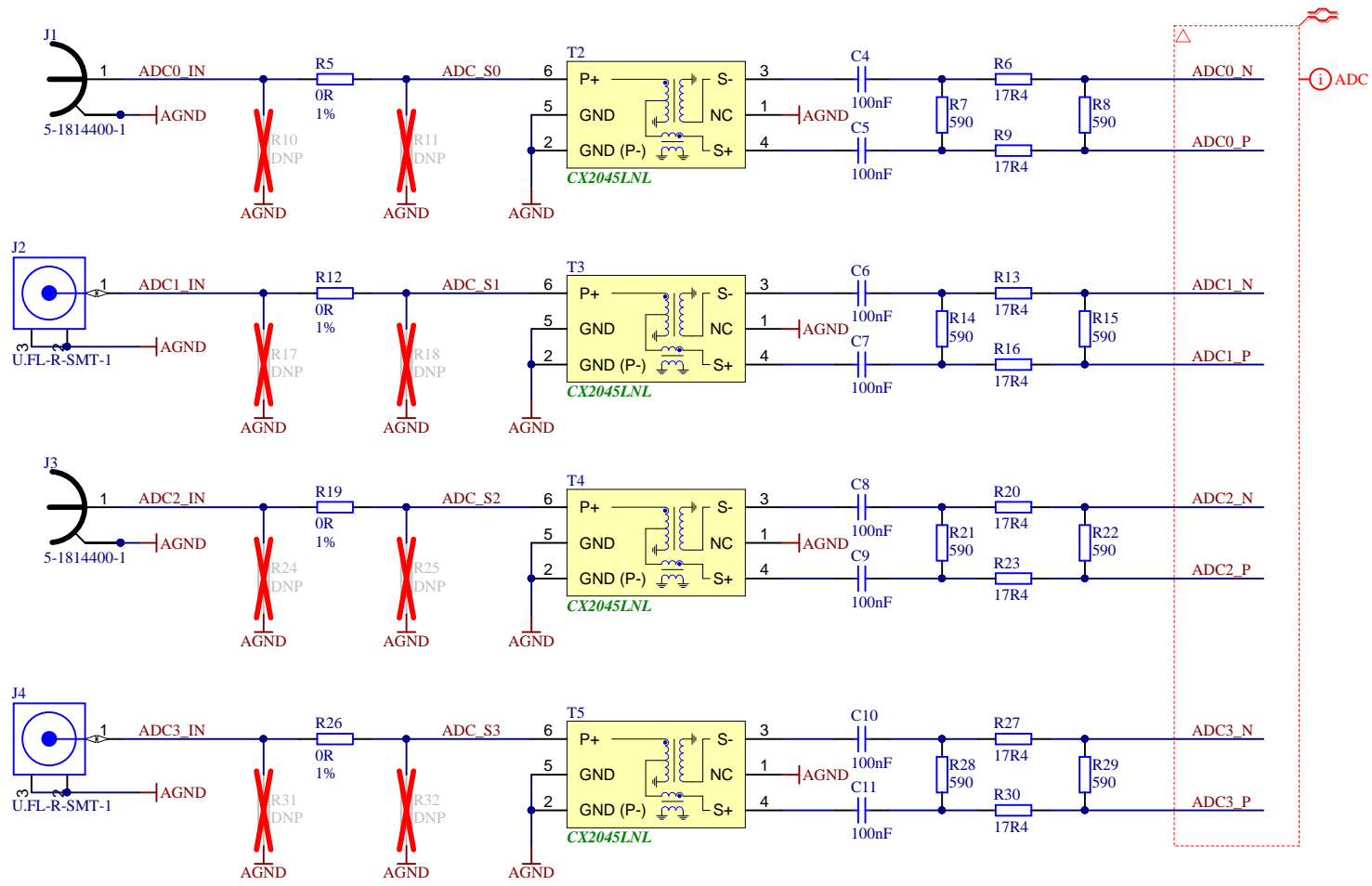
B

C

C

D

D



Title: ADC_Input_Connectors_1		
A4	Number: TEB0835 P	Rev. 01
Date: 2019-11-19	Copyright: Trenz Electronic GmbH	Page 2 of 20
Drawn by: IG	Filename: ADC_Input_Connectors_1.SchDoc	

1

2

3

4

1

2

3

4

A

A

B

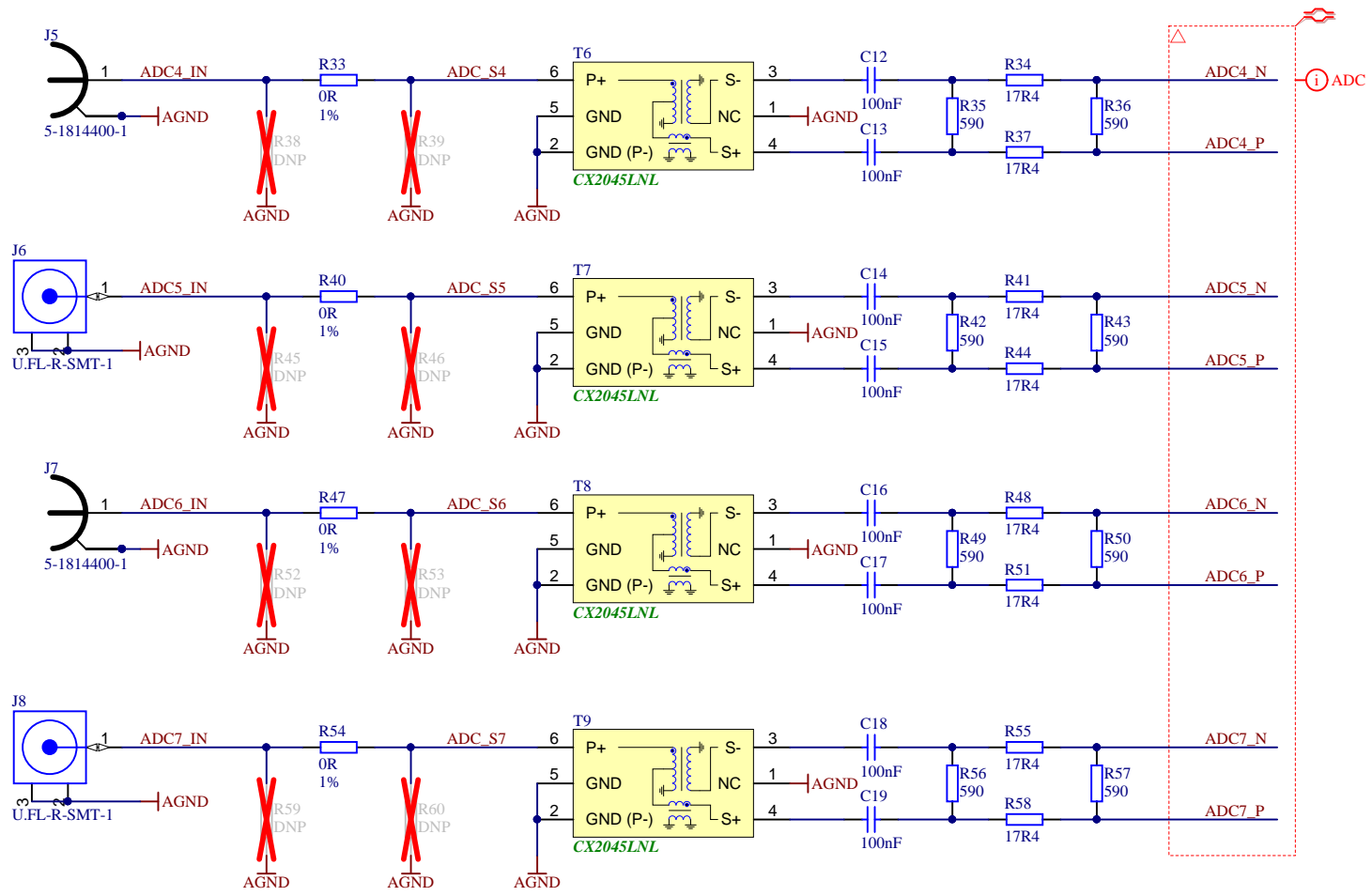
B

C

C

D

D



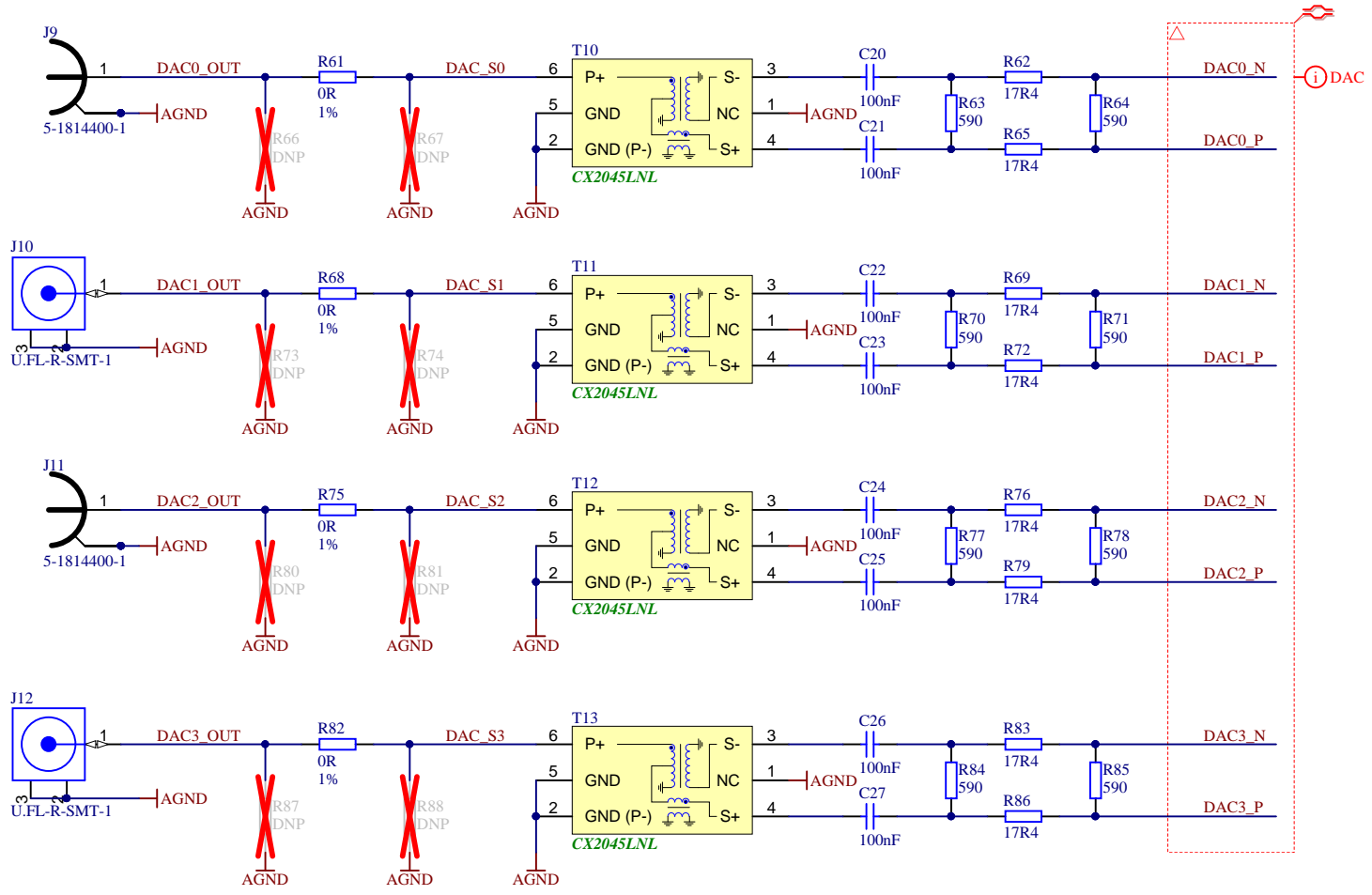
Title: ADC_Input_Connectors_2		
A4	Number: TEB0835 P	Rev. 01
Date: 2019-11-19	Copyright: Trenz Electronic GmbH	Page 3 of 20
Drawn by: IG	Filename: ADC_Input_Connectors_2.SchDoc	

1

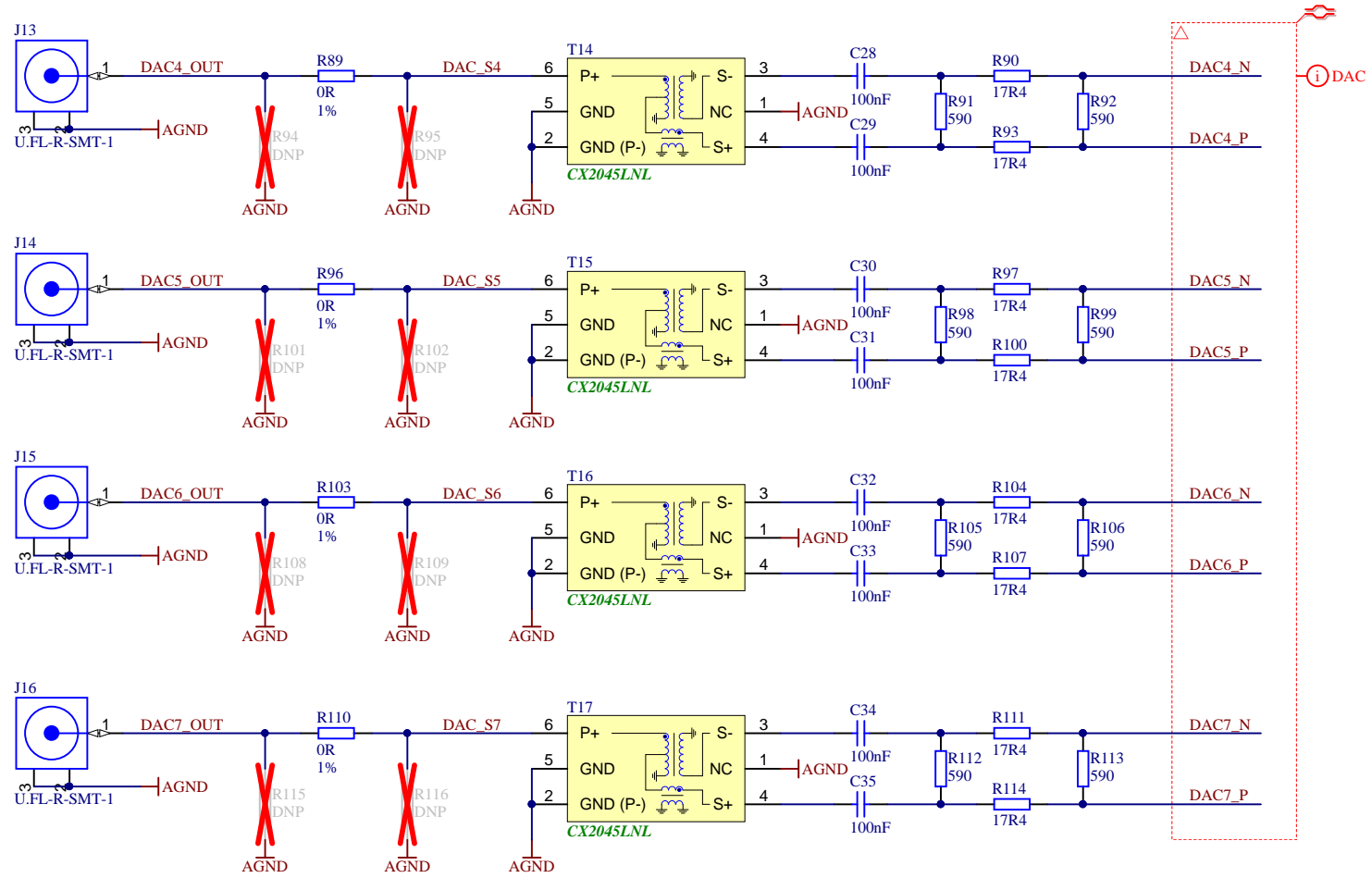
2


3

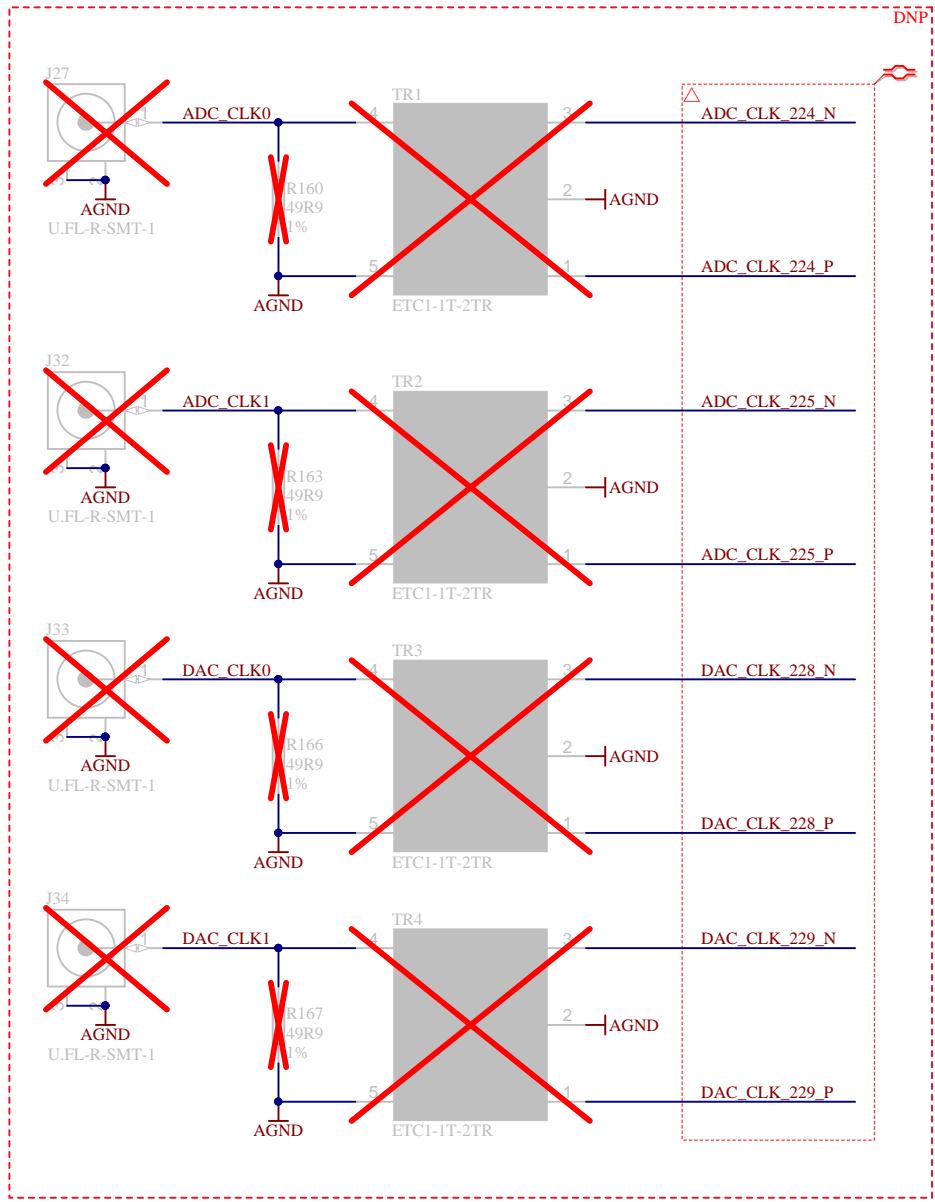
4




Title: DAC_Output_Connectors_1		
A4	Number: TEB0835 P	Rev. 01
Date: 2019-11-19	Copyright: Trenz Electronic GmbH	Page 4 of 20
Drawn by: IG	Filename: DAC_Output_Connectors_1.SchDoc	



			Title: DAC_Output_Connectors_2	
			A4	Number: TEB0835 P
Date: 2019-11-19		Copyright: Trenz Electronic GmbH		Page 5 of 20
Drawn by: IG		Filename: DAC_Output_Connectors_2.SchDoc		



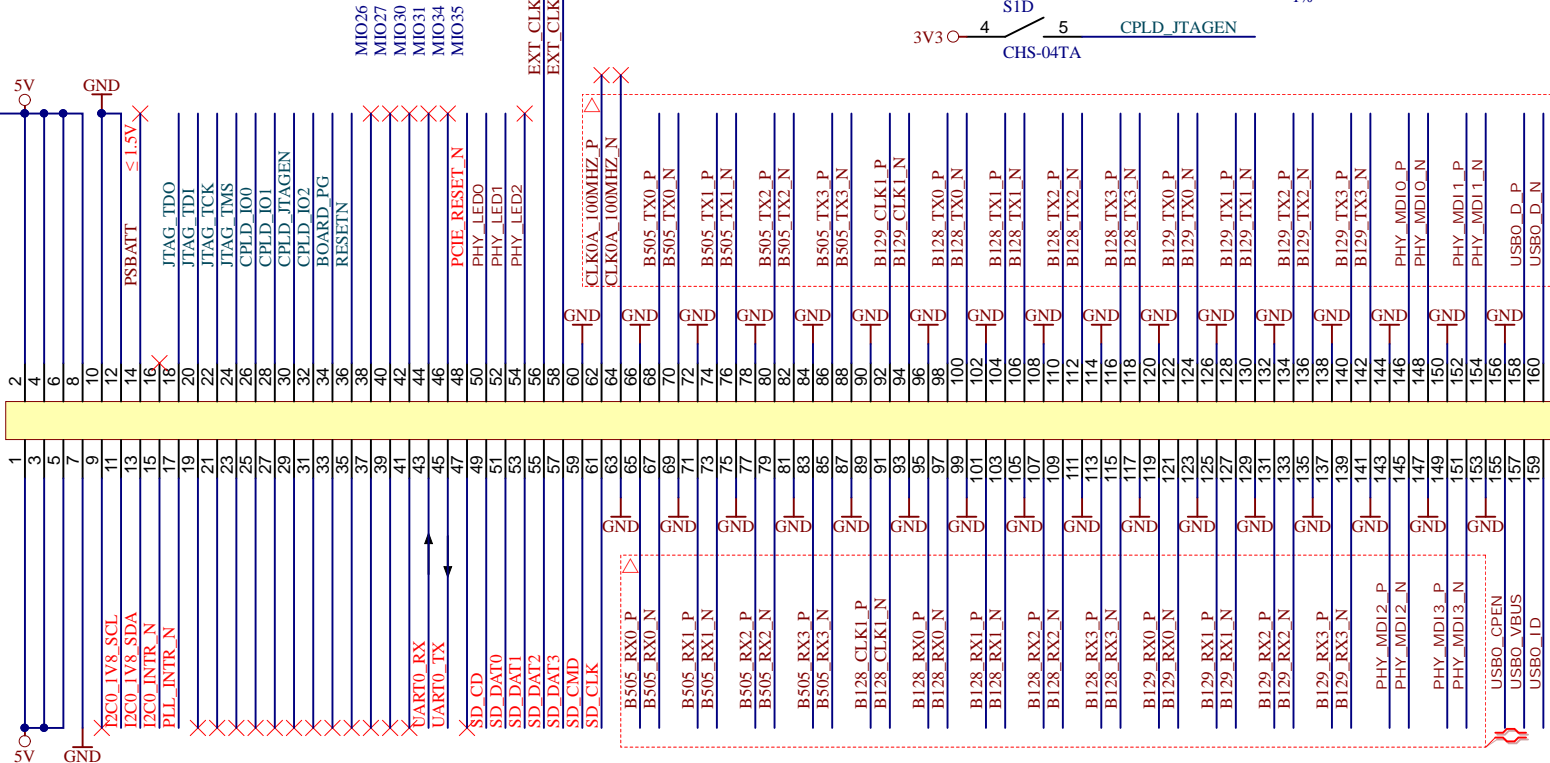
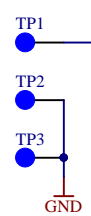
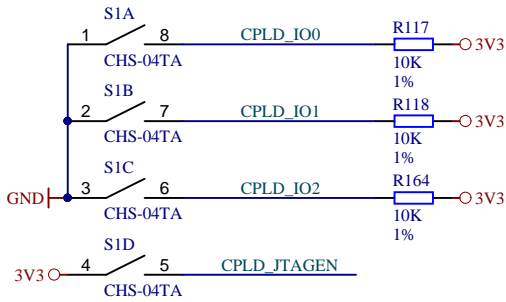
		Title: DAC_Output_Connectors_2	
		A4	Number: TEB0835 P
Date: 2019-11-19		Copyright: Trenz Electronic GmbH	
Page 6 of 20		Drawn by: IG	
Filename: CLK_Connectors.SchDoc			

1

2

3

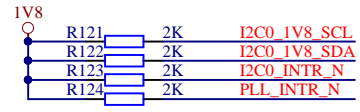
4



U17  
SS5-80-3.00-L-D-K-TR

MIO14  
MIO15  
MIO16  
MIO17  
MIO18  
MIO19  
MIO20  
MIO21  
MIO22  
MIO23  
MIO24  
MIO25  
MIO38  
MIO39  
MIO40  
MIO41  
MIO42  
MIO43  
MIO44  
MIO45  
MIO46  
MIO47  
MIO48  
MIO49  
MIO30  
MIO31  
MIO32  
MIO33  
MIO34  
MIO35

SD1  
Slot Type SD2.0



Title: B2B_1		
A4	Number: TEB0835 P	Rev. 01
Date: 2019-11-19	Copyright: Trenz Electronic GmbH	Page 7 of 20
Drawn by: IG	Filename: B2B_1.SchDoc	

1

2

3

4

A

A

B

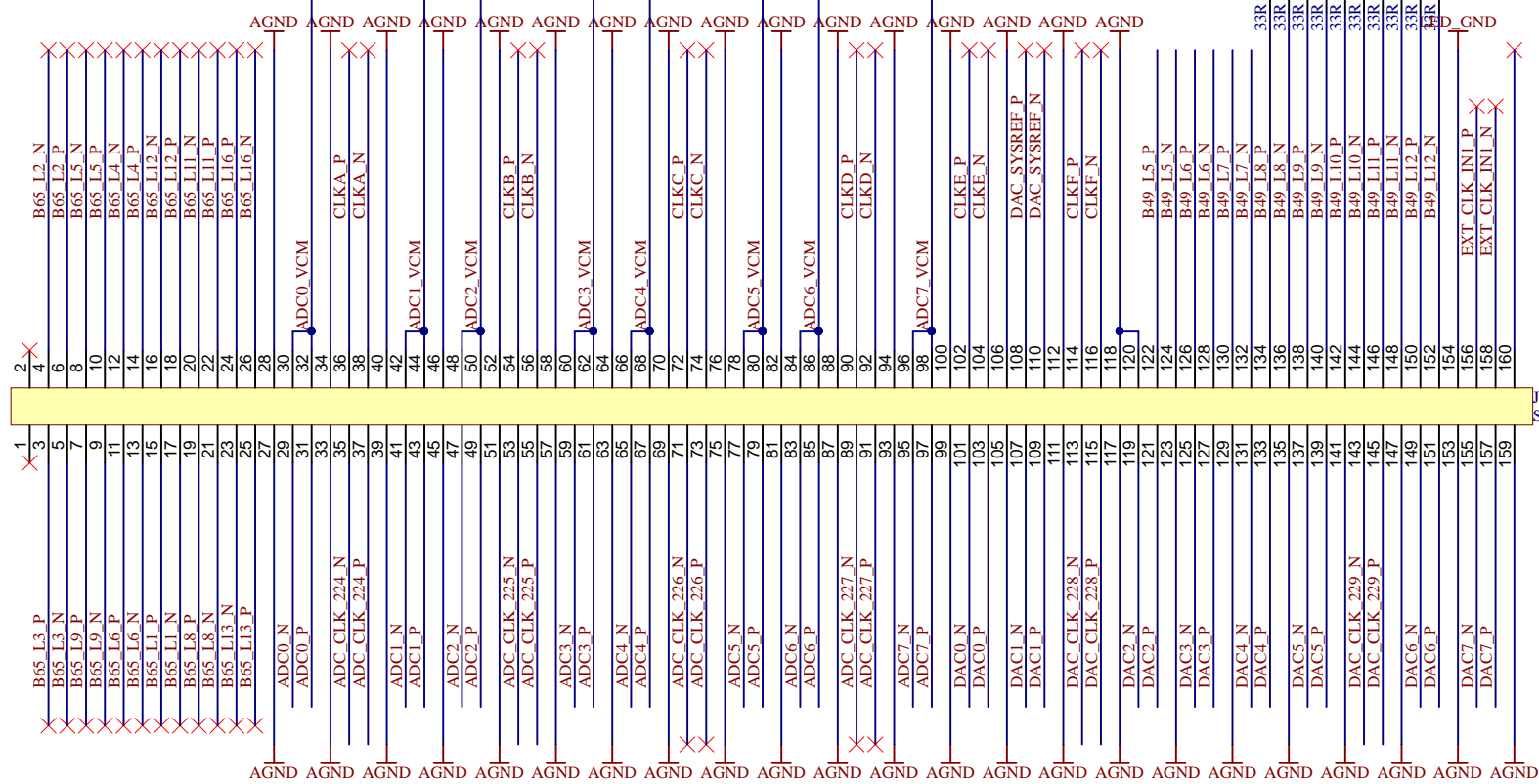
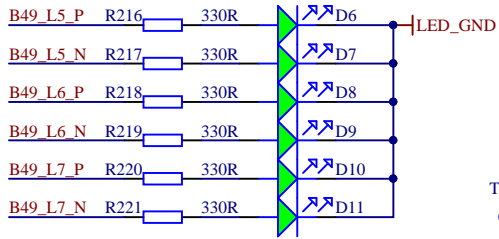
B

C

C

D

D



Title: <b>B2B_2</b>		
A4	Number: <b>TEB0835 P</b>	Rev. <b>01</b>
Date: <b>2019-11-19</b>	Copyright: <b>Trenz Electronic GmbH</b>	Page <b>8</b> of <b>20</b>
Drawn by: <b>IG</b>	Filename: <b>B2B_2.SchDoc</b>	

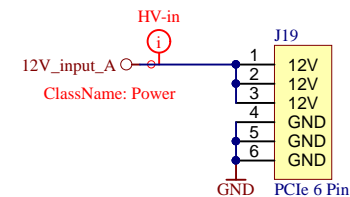
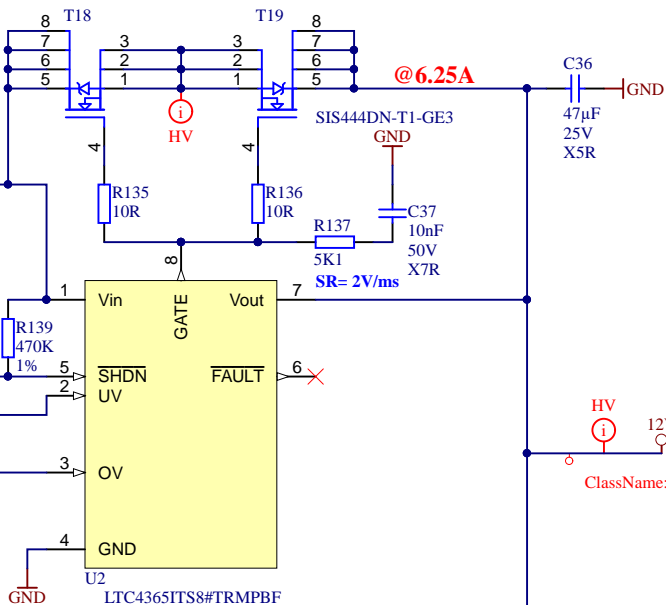
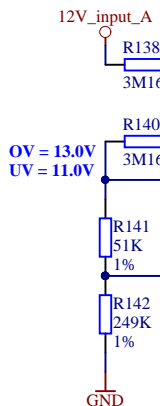


U\_PWR\_3V3  
PWR\_3V3.SchDoc

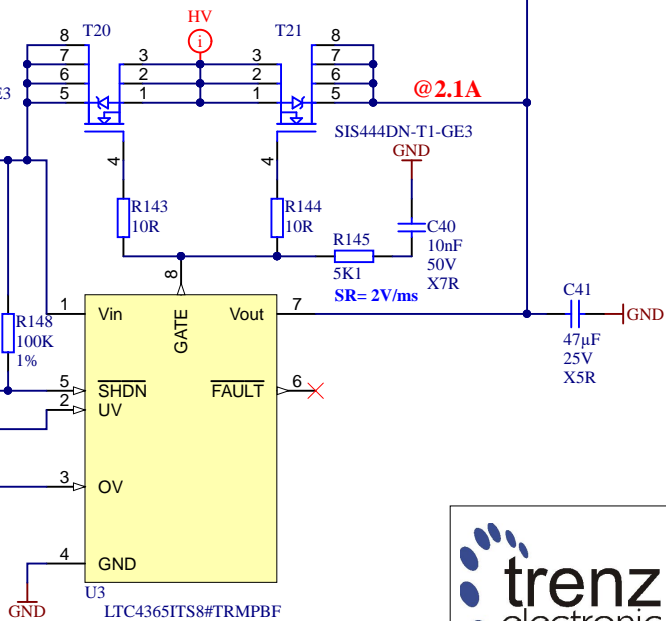
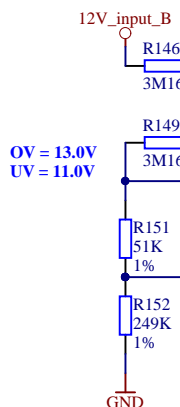
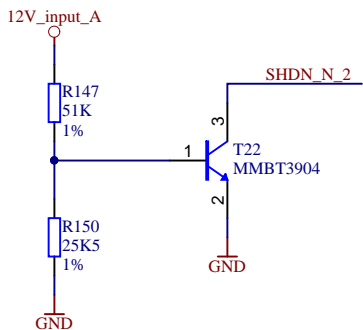
U\_PWR\_1V8  
PWR\_1V8.SchDoc

U\_PWR\_5V  
PWR\_5V.SchDoc

FROM ATX CONNECTOR  
@75W



FROM PCIe edge CONNECTOR  
@25W



Title: POWER		
A4	Number: TEB0835 P	Rev. 01
Date: 2019-11-19	Copyright: Trenz Electronic GmbH	Page 9 of 20
Drawn by: IG	Filename: POWER.SchDoc	

1

2

3

4

A

A

B

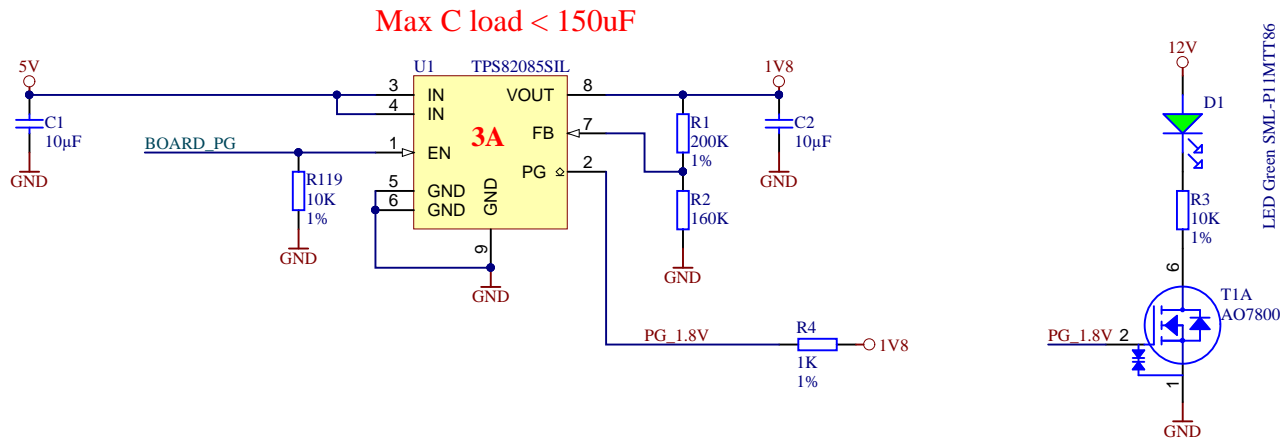
B

C

C

D

D



Title: <b>PWR_1V8</b>		
A4	Number: <b>TEB0835 P</b>	Rev. <b>01</b>
Date: <b>2019-11-19</b>	Copyright: <b>Trenz Electronic GmbH</b>	Page <b>10</b> of <b>20</b>
Drawn by: <b>IG</b>	Filename: <b>PWR_1V8.SchDoc</b>	

1

2

3

4

1

2

3

4

A

A

B

B

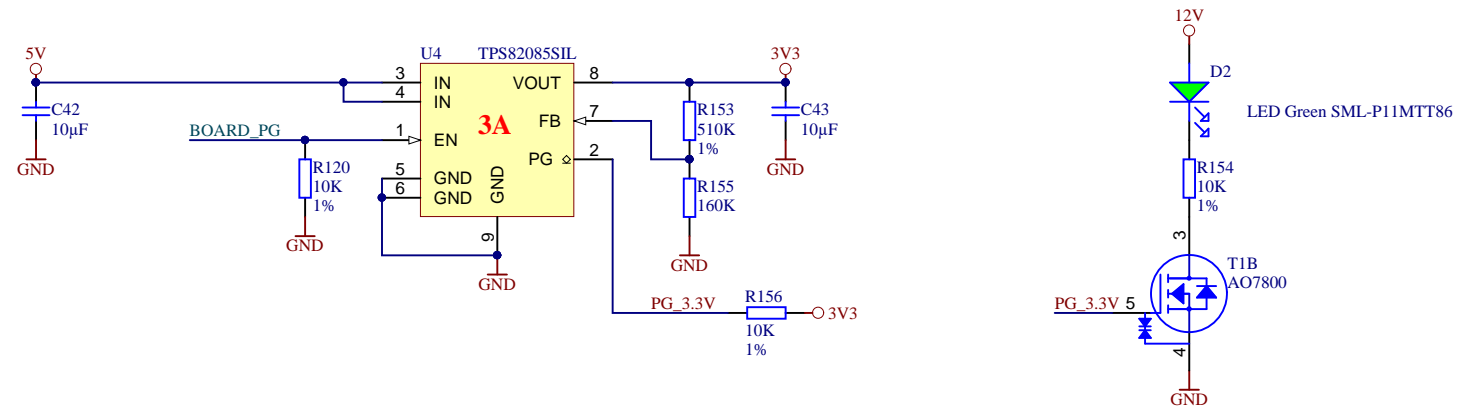
C

C

D

D

Max C load < 150uF



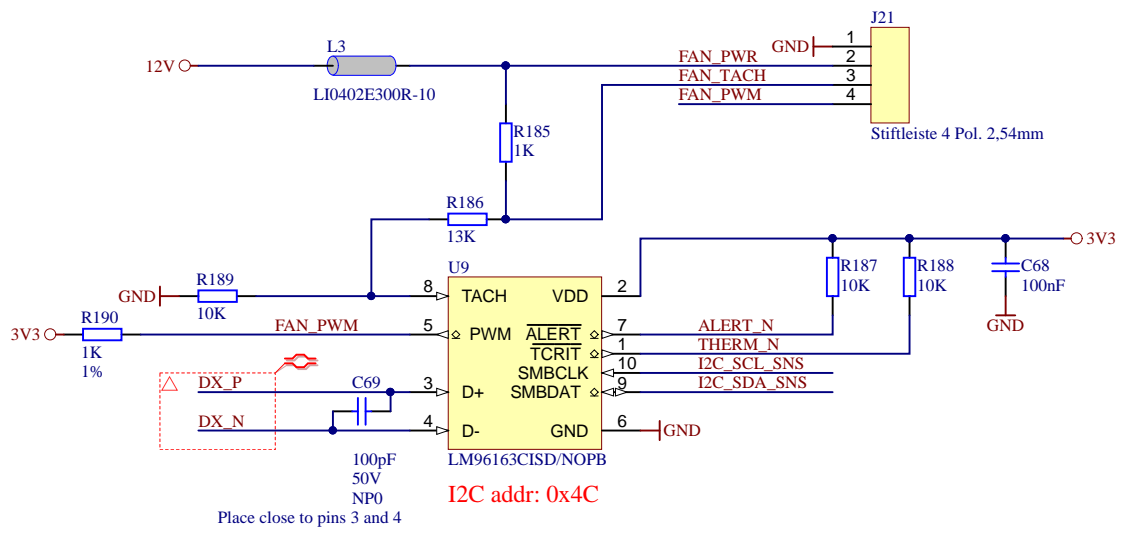
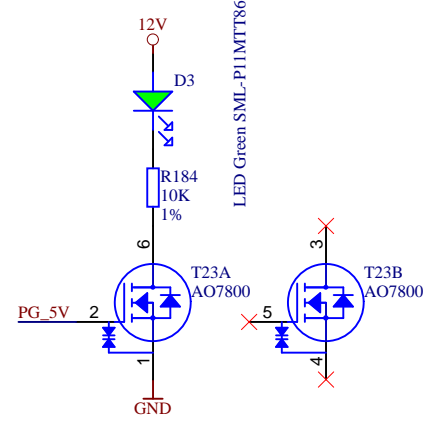
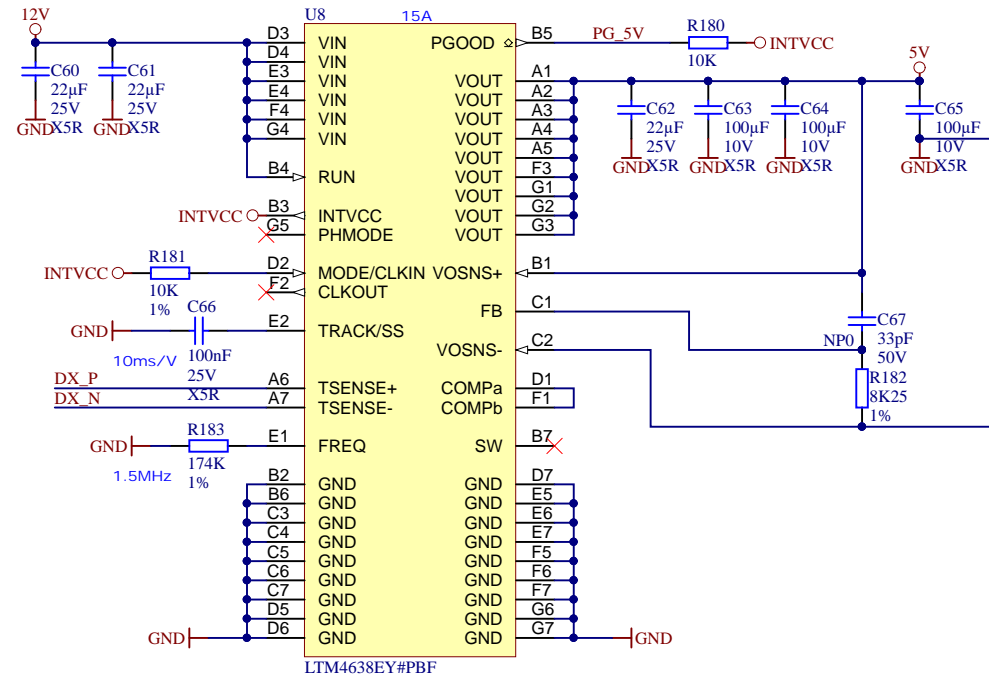
Title: PWR_3V3		
A4	Number: TEB0835 P	Rev. 01
Date: 2019-11-19	Copyright: Trenz Electronic GmbH	Page 11 of 20
Drawn by: IG	Filename: PWR_3V3.SchDoc	

1

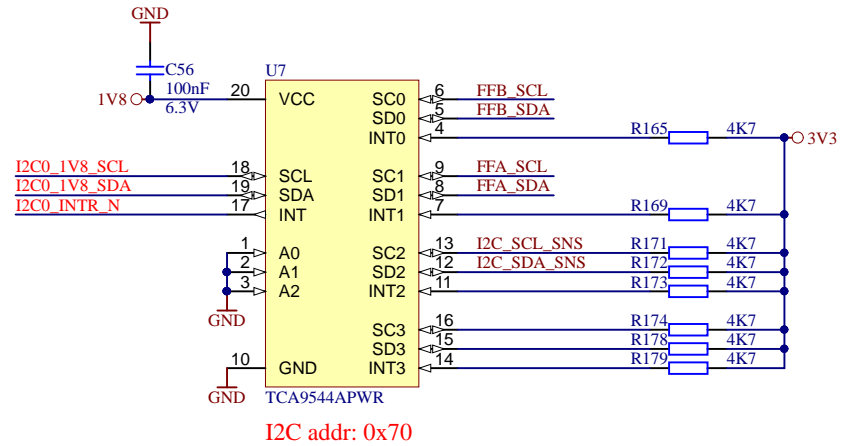
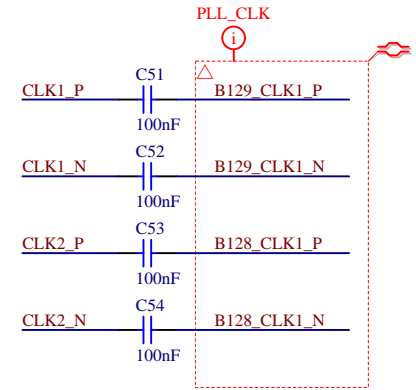
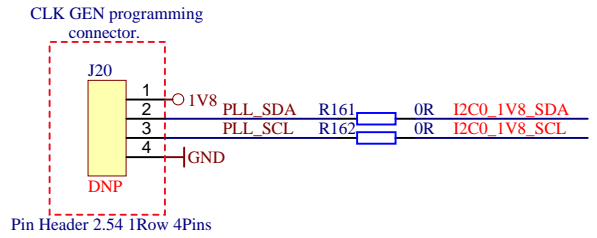
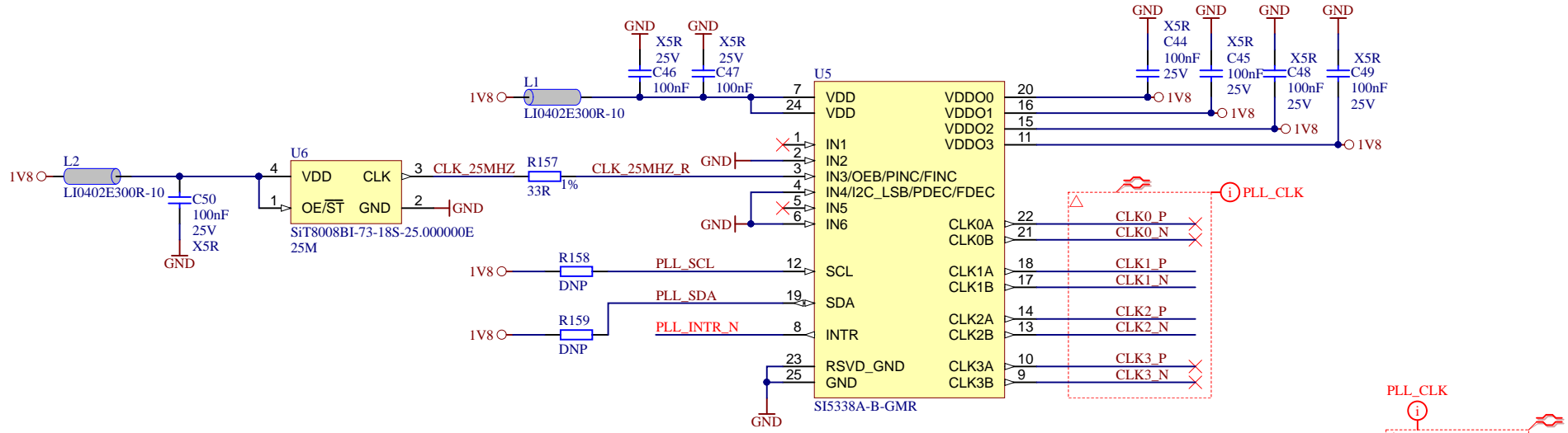
2


3

4



Title: <b>PWR_5V</b>		
A4	Number: <b>TEB0835 P</b>	Rev. <b>01</b>
Date: 2019-11-19	Copyright: Trenz Electronic GmbH	Page 12 of 20
Drawn by: IG	Filename: <b>PWR_5V.SchDoc</b>	



		Title: CLK-SI5338	
		A4	Number: TEB0835 P
Date: 2019-11-19		Copyright: Trenz Electronic GmbH	
Page 13 of 20		Page 13 of 20	
Drawn by: IG		Filename: CLK-SI5338.SchDoc	

1

2

3

4

A

A

B

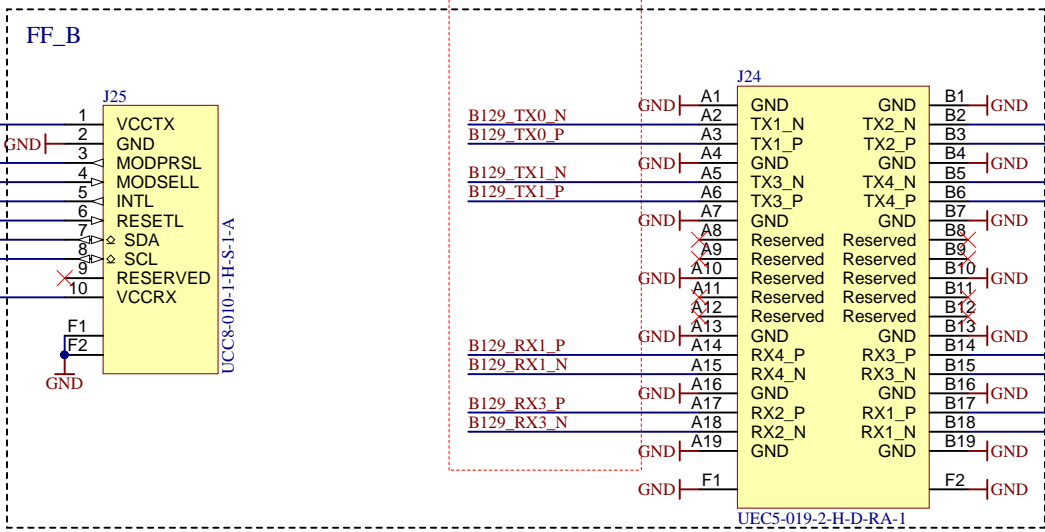
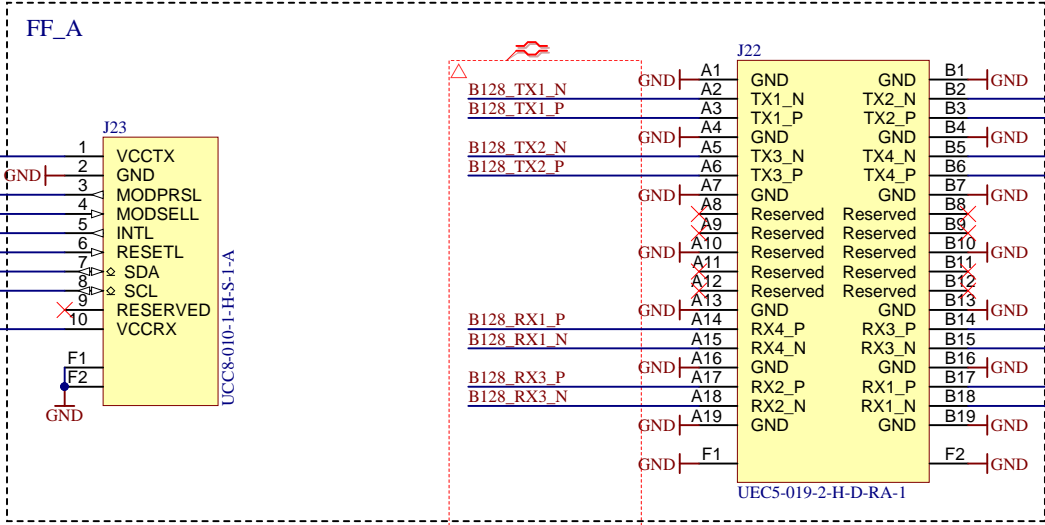
B

C

C

D

D



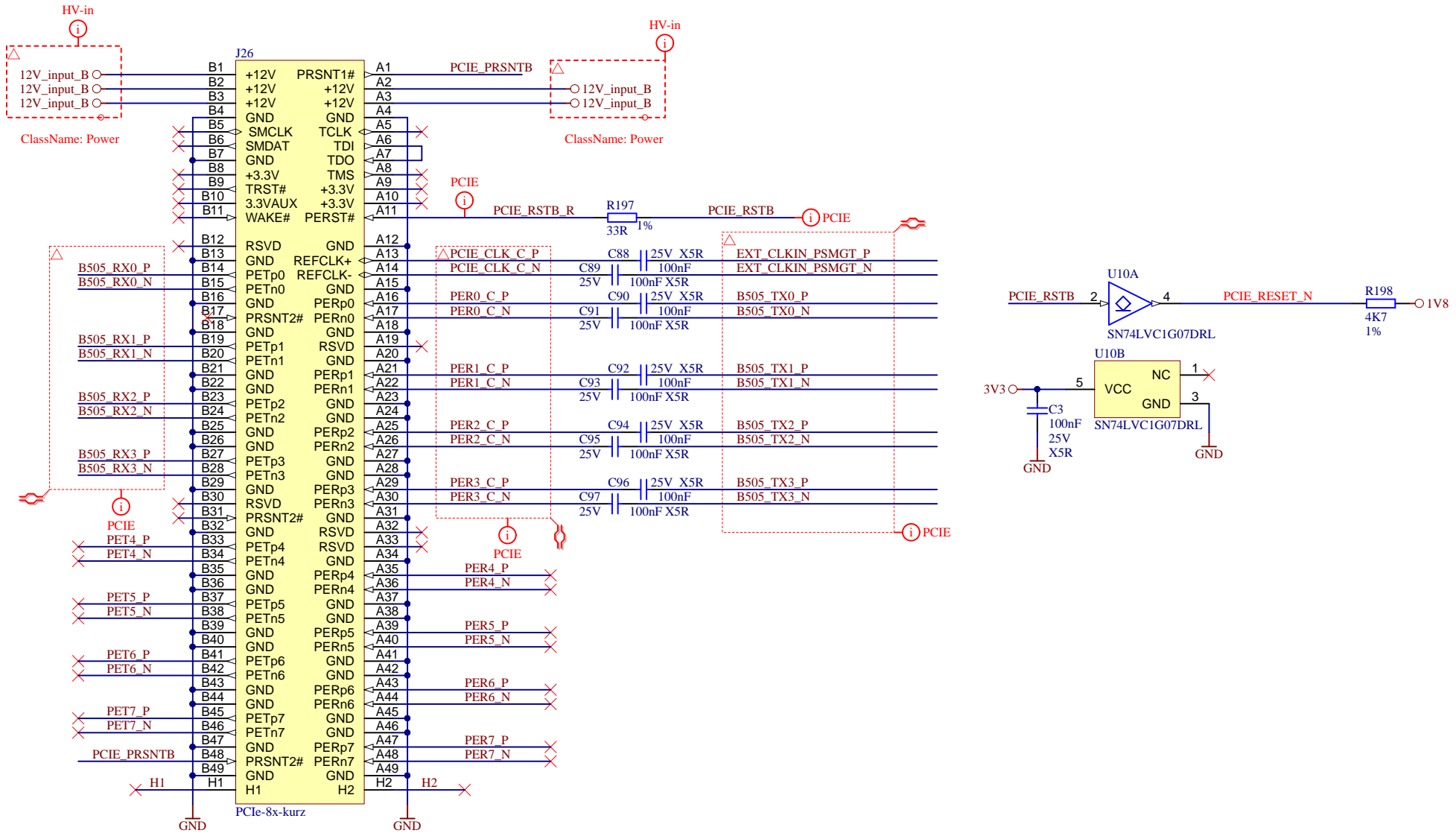
Title: <b>FireFly_AB</b>		
A4	Number: <b>TEB0835 P</b>	Rev. <b>01</b>
Date: <b>2019-11-19</b>	Copyright: <b>Trenz Electronic GmbH</b>	
Page <b>14</b> of <b>20</b>	Page <b>14</b> of <b>20</b>	
Drawn by: <b>IG</b>	Filename: <b>FireFly_AB.SchDoc</b>	

1

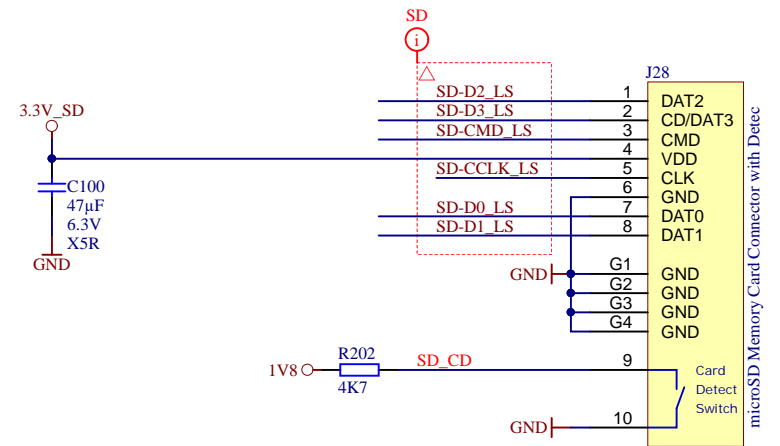
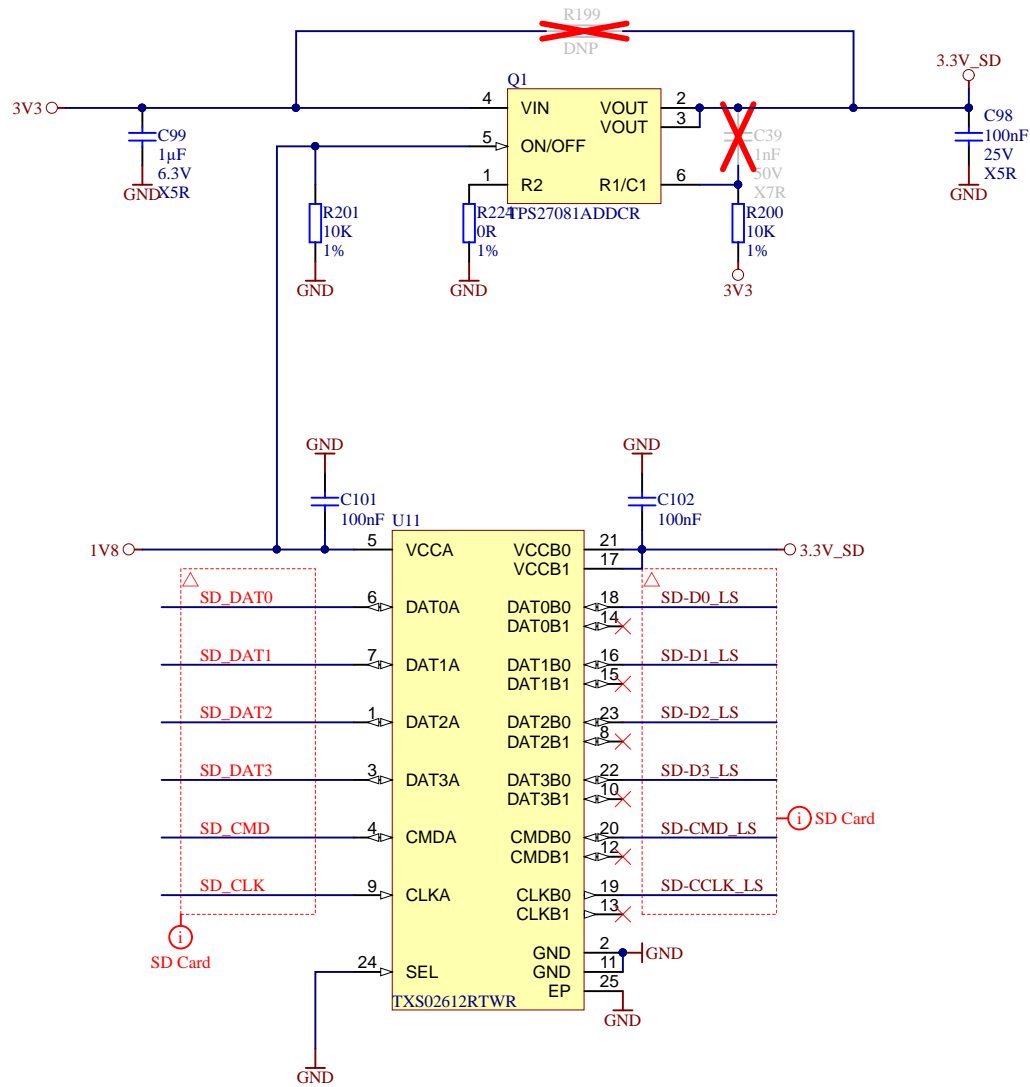
2

3

4

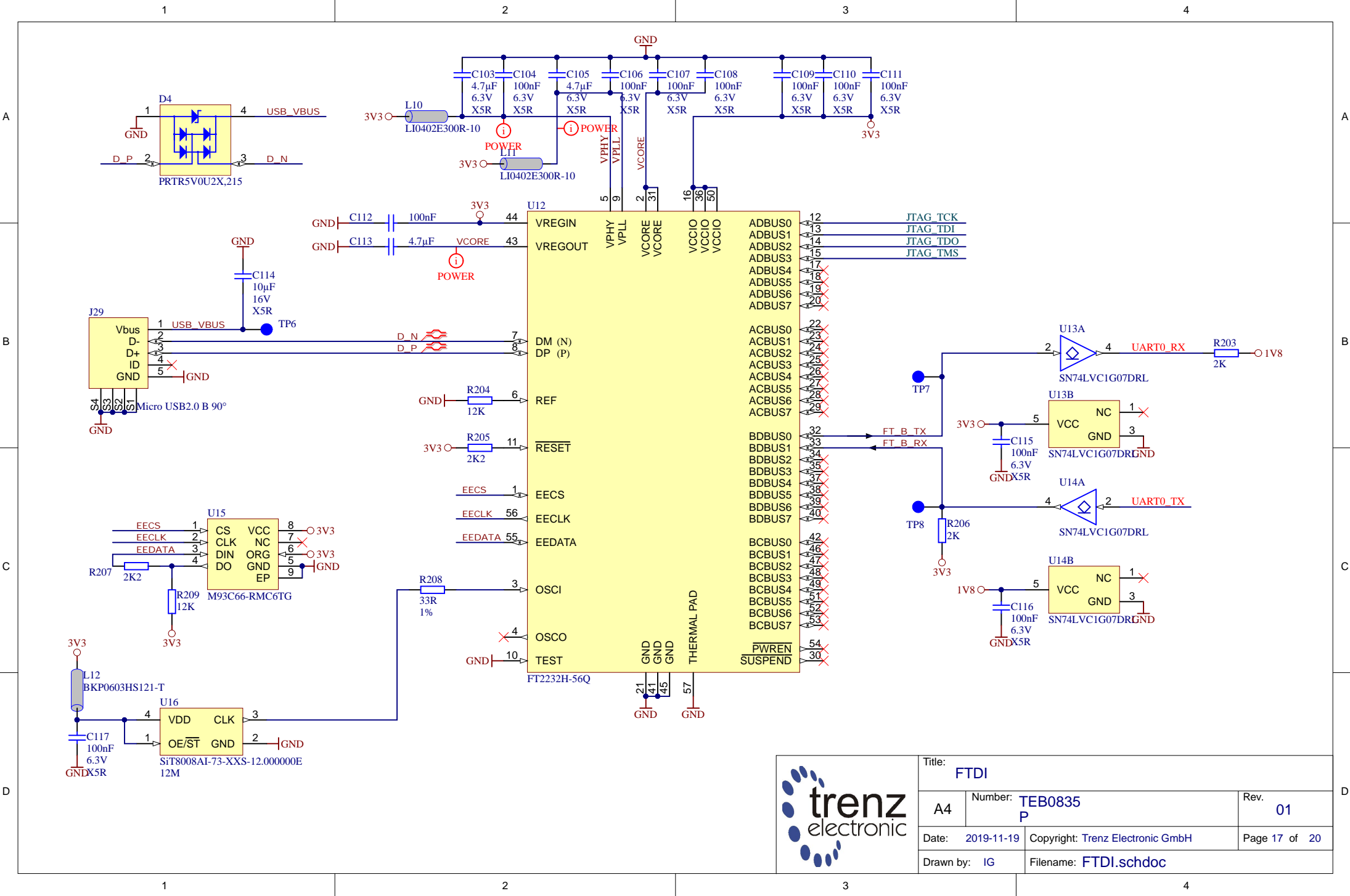


Title: <b>PCIE_CONN</b>		
A4	Number: <b>TEB0835 P</b>	Rev. <b>01</b>
Date: <b>2019-11-19</b>	Copyright: <b>Trenz Electronic GmbH</b>	Page <b>15</b> of <b>20</b>
Drawn by: <b>IG</b>	Filename: <b>PCIE_CONN.SchDoc</b>	



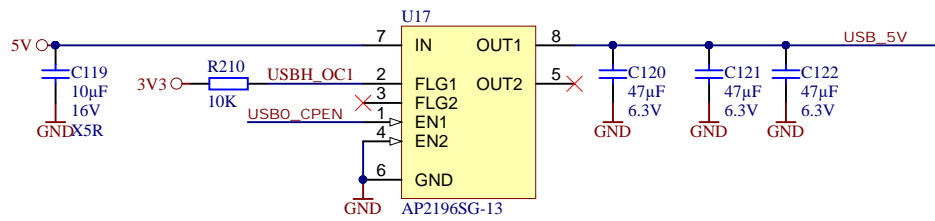
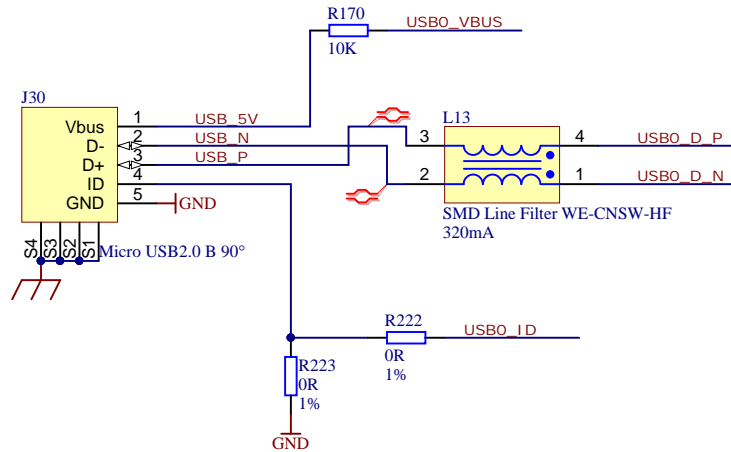
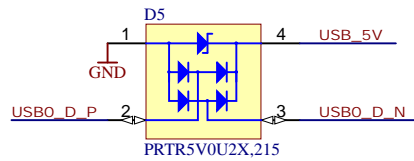
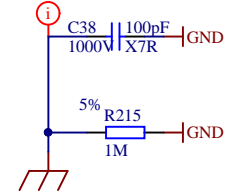
	Title: SD		
	A4	Number: TEB0835 P	Rev. 01
	Date: 2019-11-19	Copyright: Trenz Electronic GmbH	Page 16 of 20
	Drawn by: IG	Filename: SD.SchDoc	





Title: <b>FTDI</b>		
A4	Number: <b>TEB0835 P</b>	Rev. <b>01</b>
Date: <b>2019-11-19</b>	Copyright: <b>Trenz Electronic GmbH</b>	Page <b>17</b> of <b>20</b>
Drawn by: <b>IG</b>	Filename: <b>FTDI.schdoc</b>	

PCB Rule



Title: <b>MicroUSB</b>		
A4	Number: <b>TEB0835 P</b>	Rev. <b>01</b>
Date: <b>2019-11-19</b>	Copyright: <b>Trenz Electronic GmbH</b>	Page <b>18</b> of <b>20</b>
Drawn by: <b>IG</b>	Filename: <b>MicroUSB.SchDoc</b>	

1

2

3

4

REVISION HISTORY

REV	Description	
-01	Initial revision	IG

A

A

B


B

C

C

D

D

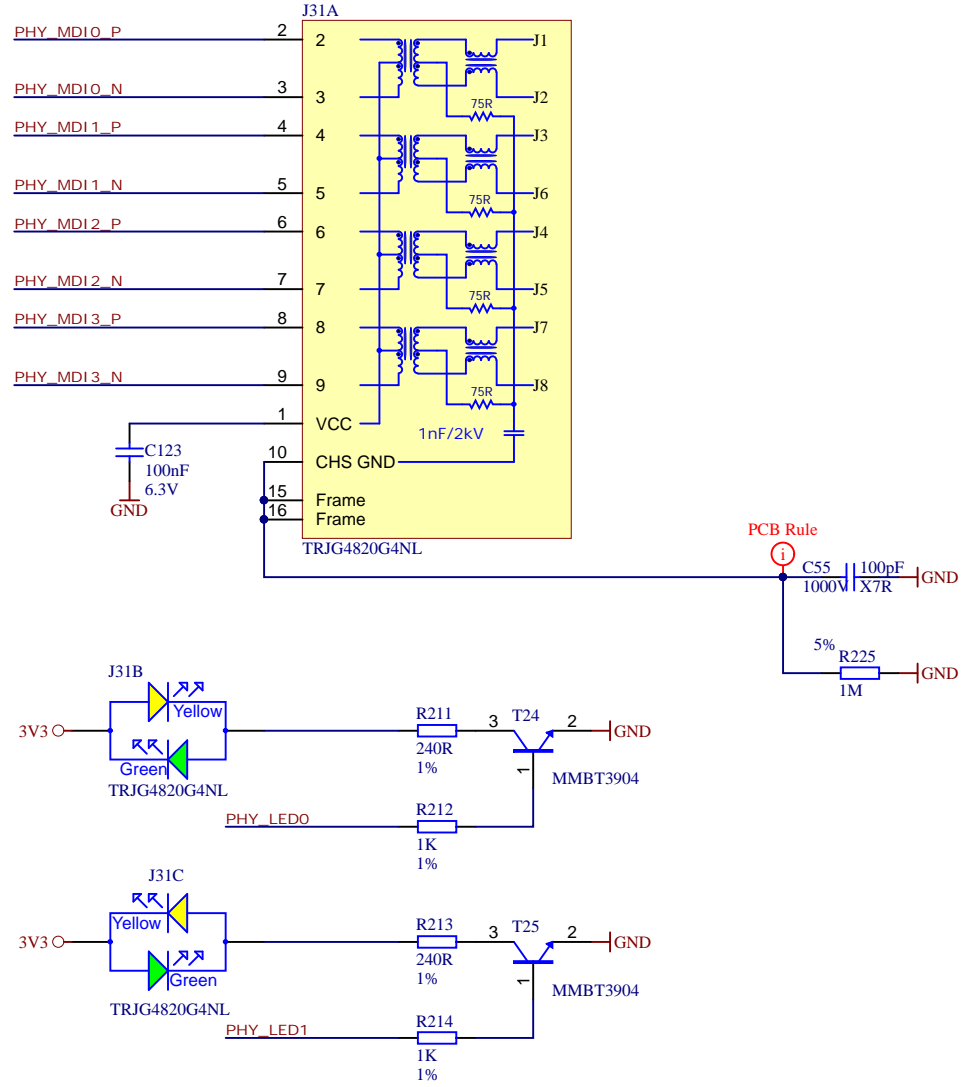
	Title: Revision_Changes		
	A4	Number: TEB0835 P	Rev. 01
	Date: 2019-11-19	Copyright: Trenz Electronic GmbH	Page 19 of 20
	Drawn by: IG	Filename: Revision_Changes.SchDoc	

1

2

3

4



Title: ETH-PHY		
A4	Number: TEB0835 P	Rev. 01
Date: 2019-11-19	Copyright: Trenz Electronic GmbH	Page 20 of 20
Drawn by: IG	Filename: ETH-PHY.SchDoc	