

1

2

3

4

A

A

B

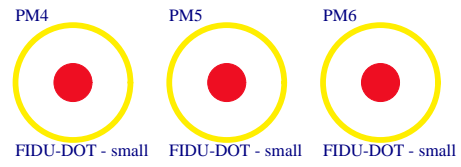
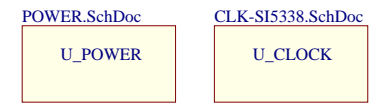
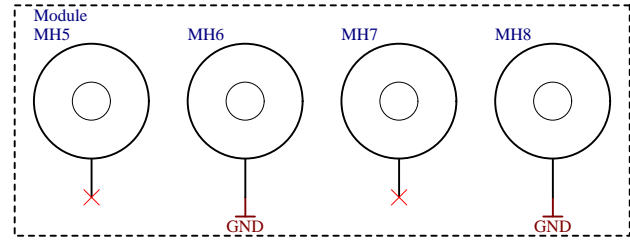
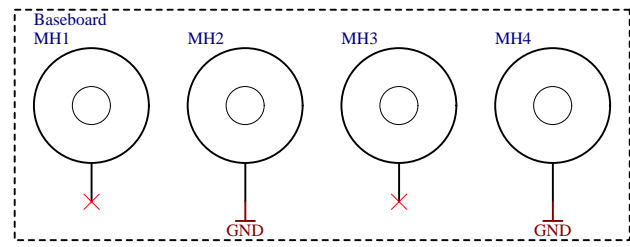
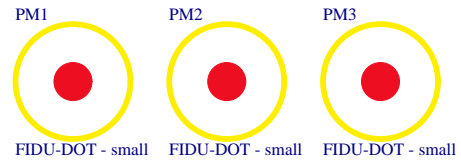
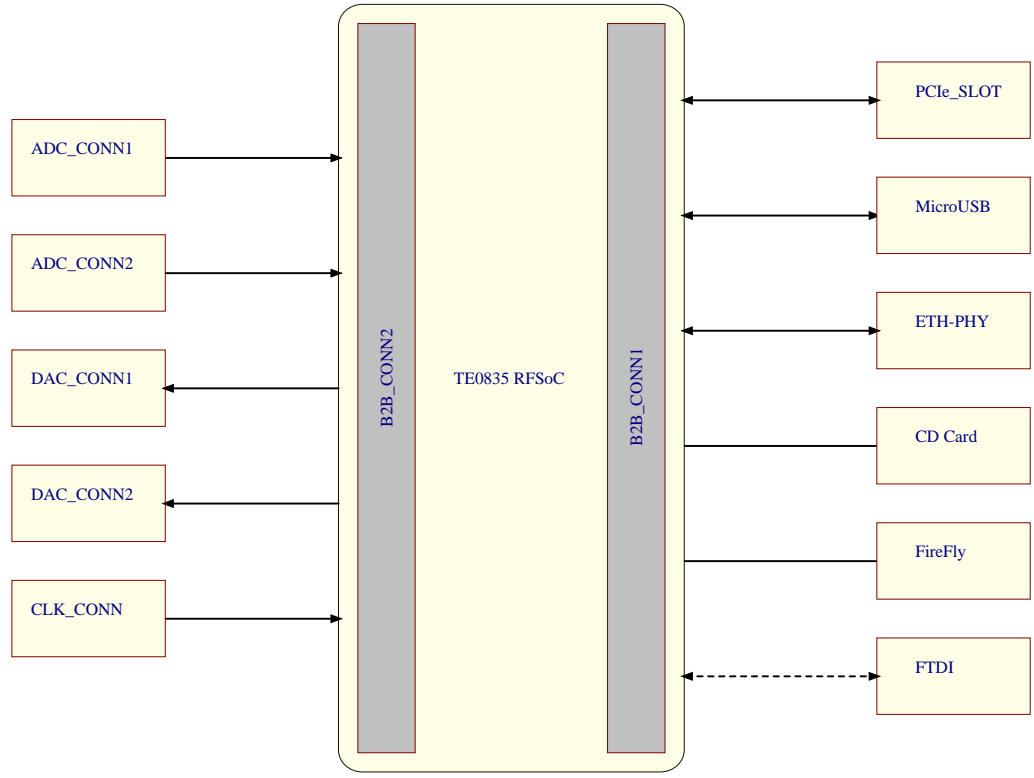
B

C

C

D

D



	Title: TEB0835		
	A4	Number: TEB0835 Default	Rev. 01
	Date: 2019-11-19	Copyright: Trenz Electronic GmbH	Page 1 of 20
	Drawn by: IG	Filename: TEB0835.SchDoc	

1

2

3

4

1

2

3

4

A

A

B

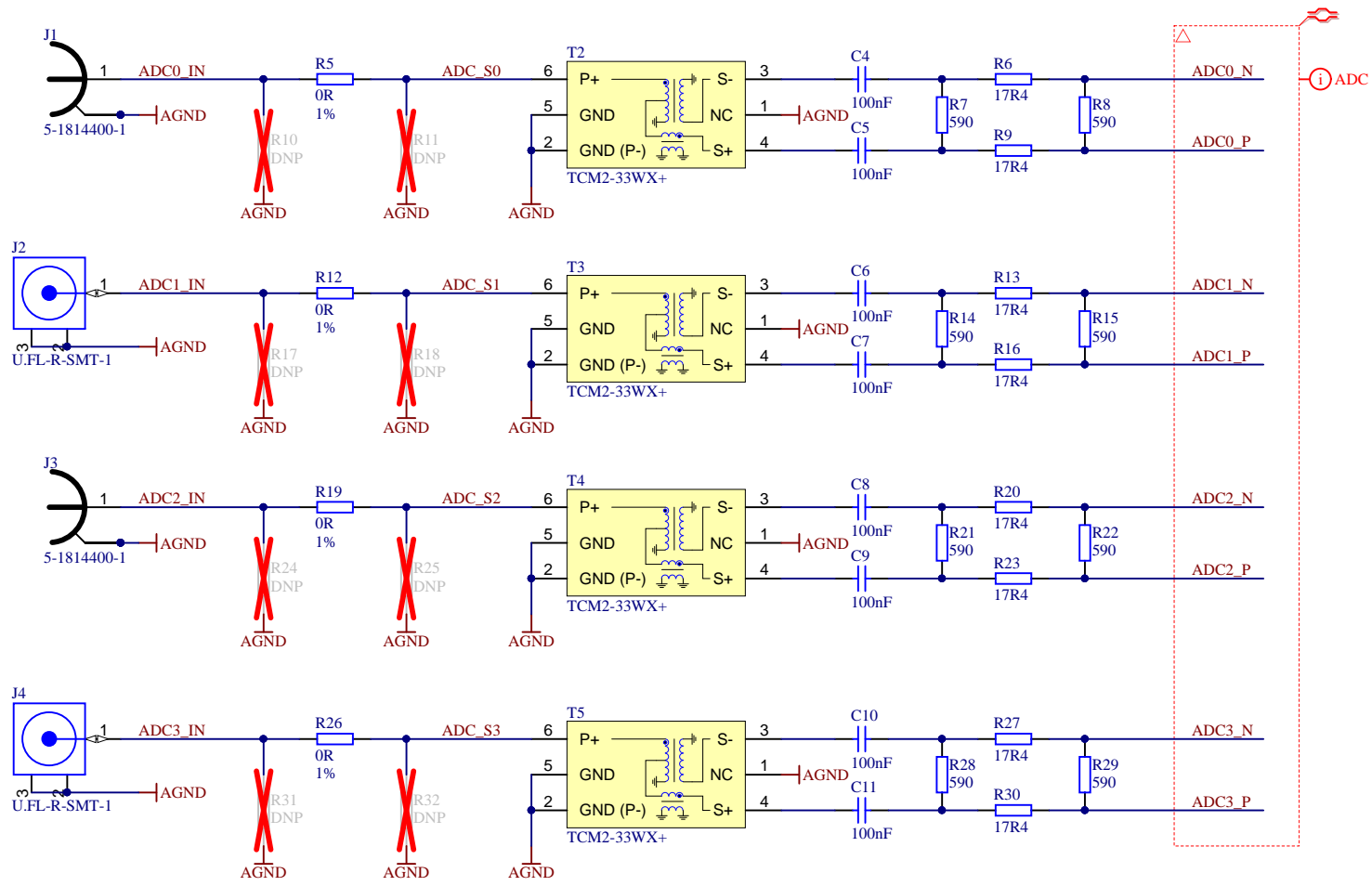
B

C

C

D

D



Title: ADC_Input_Connectors_1		
A4	Number: TEB0835 Default	Rev. 01
Date: 2019-11-19	Copyright: Trenz Electronic GmbH	Page 2 of 20
Drawn by: IG	Filename: ADC_Input_Connectors_1.SchDoc	

1

2

3

4

1

2

3

4

A

A

B

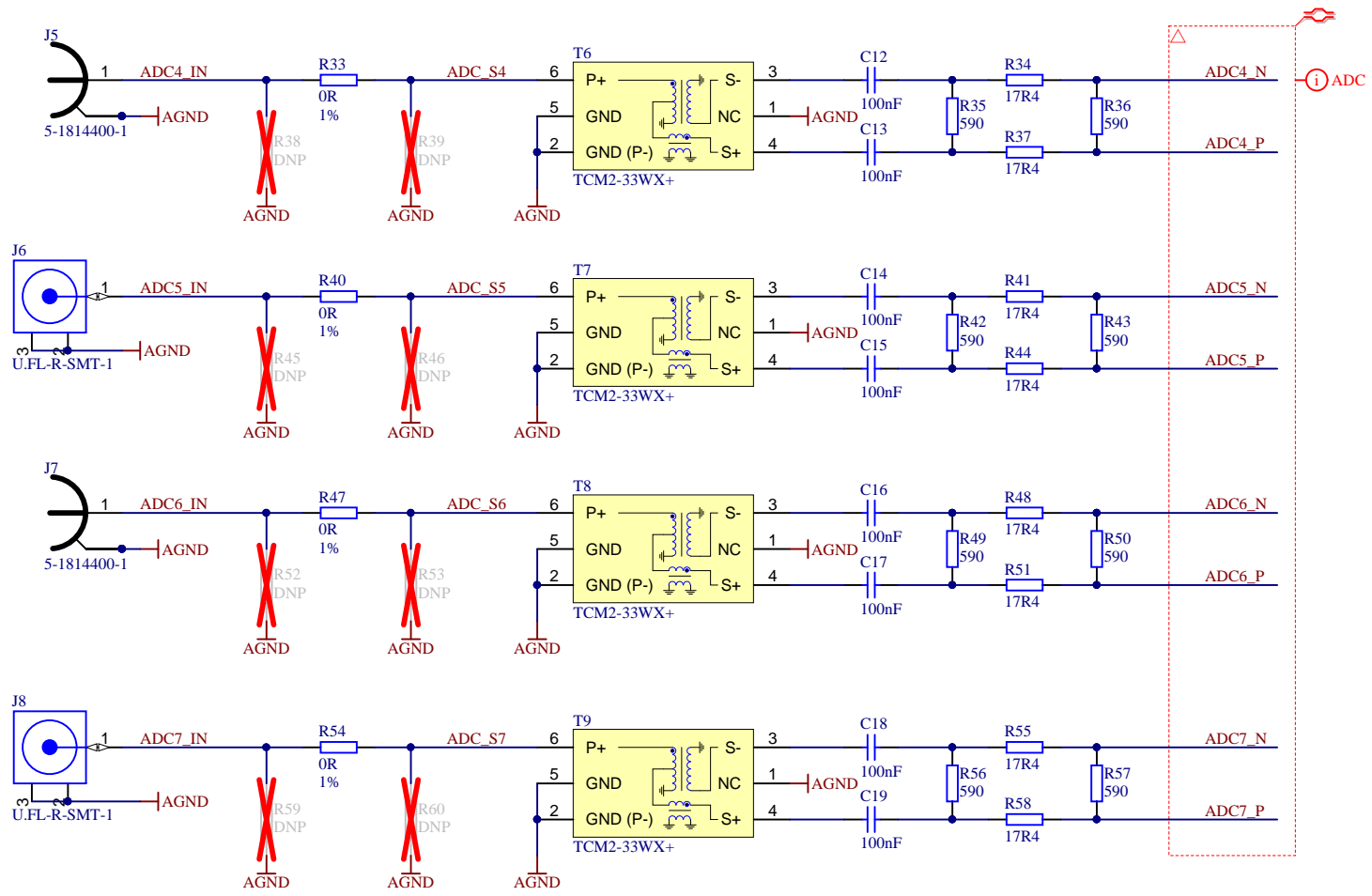
B

C

C

D

D



Title: ADC_Input_Connectors_2		
A4	Number: TEB0835 Default	Rev. 01
Date: 2019-11-19	Copyright: Trenz Electronic GmbH	Page 3 of 20
Drawn by: IG	Filename: ADC_Input_Connectors_2.SchDoc	

1

2

3

4

1

2

3

4

A

A

B

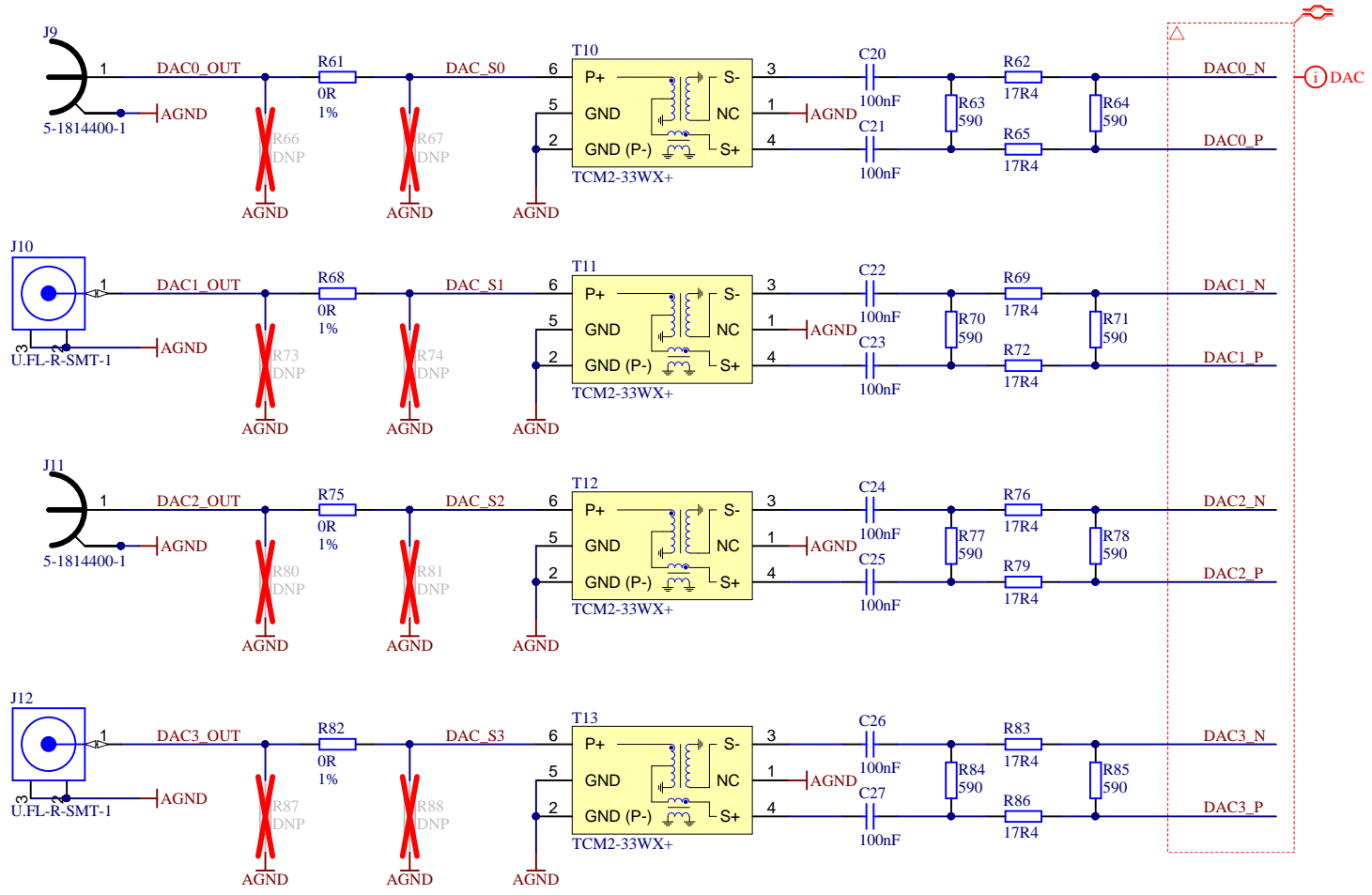
B

C

C

D

D



Title: DAC_Output_Connectors_1		
A4	Number: TEB0835 Default	Rev. 01
Date: 2019-11-19	Copyright: Trenz Electronic GmbH	Page 4 of 20
Drawn by: IG	Filename: DAC_Output_Connectors_1.SchDoc	

1

2

3

4

1

2

3

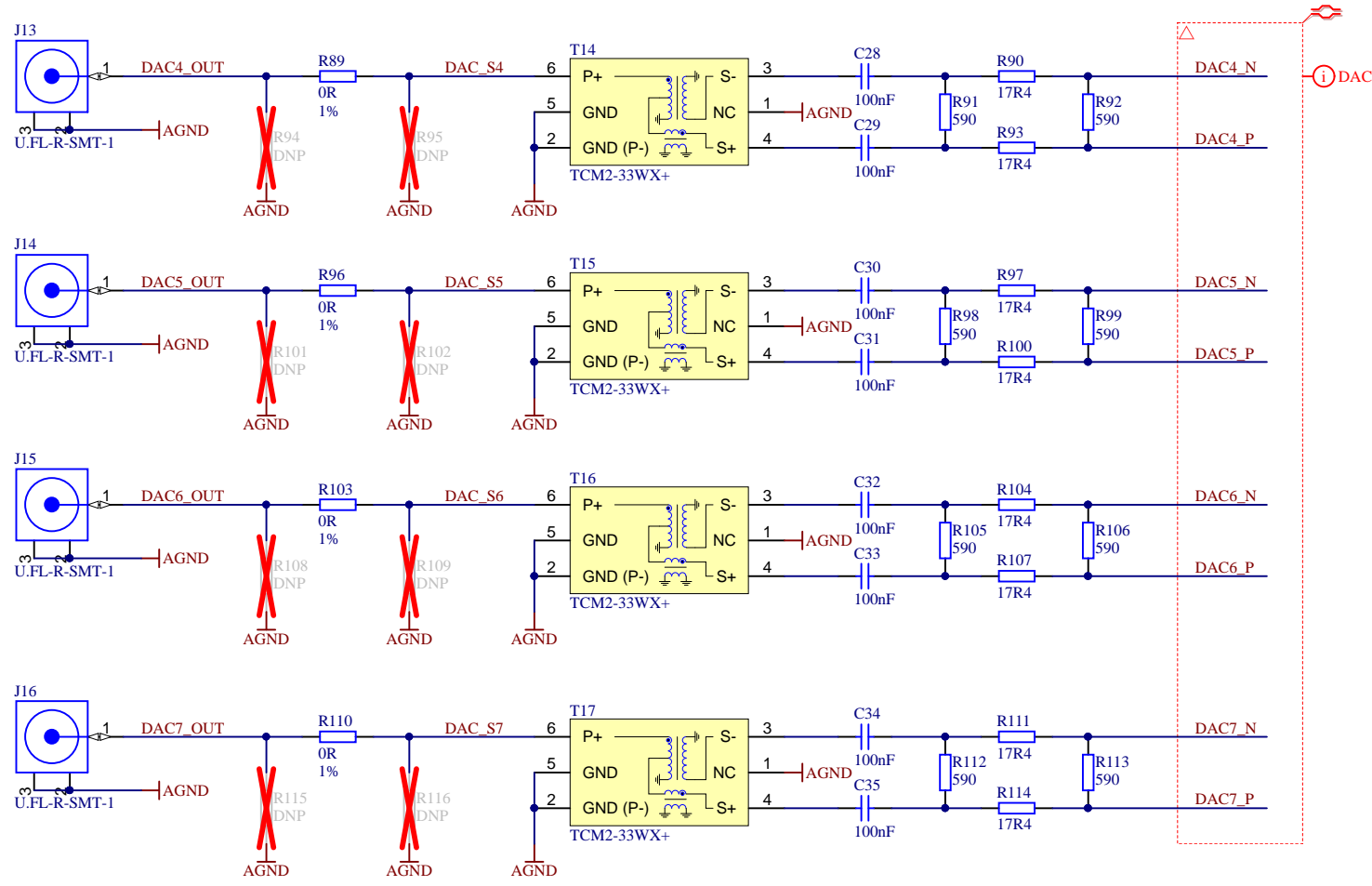
4

A

B

C

D



Title: DAC_Output_Connectors_2		
A4	Number: TEB0835 Default	Rev. 01
Date: 2019-11-19	Copyright: Trenz Electronic GmbH	Page 5 of 20
Drawn by: IG	Filename: DAC_Output_Connectors_2.SchDoc	

1

2

3

4

1

2

3

4

A

A

B

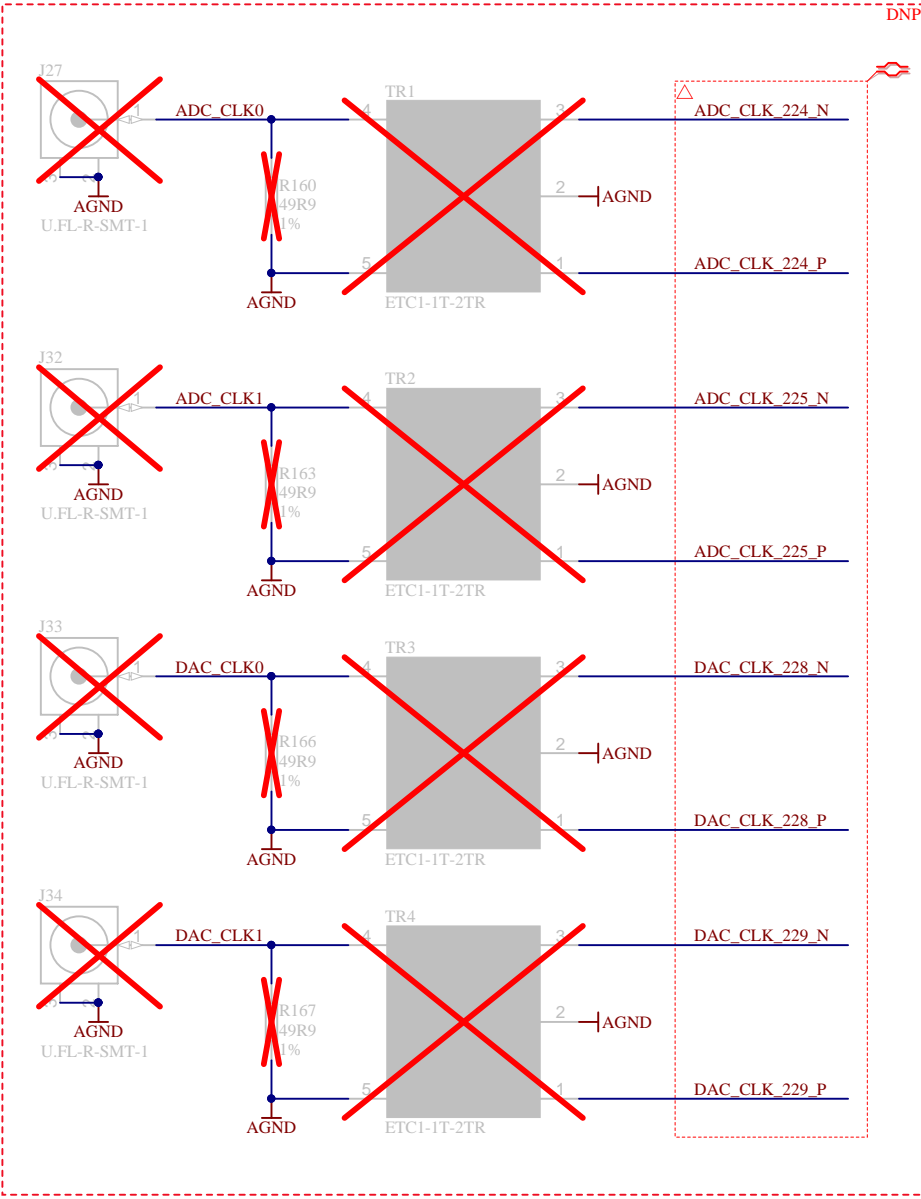
B

C

C

D

D



Title: DAC_Output_Connectors_2		
A4	Number: TEB0835 Default	Rev. 01
Date: 2019-11-19	Copyright: Trenz Electronic GmbH	Page 6 of 20
Drawn by: IG	Filename: CLK_Connectors.SchDoc	

1

2

3

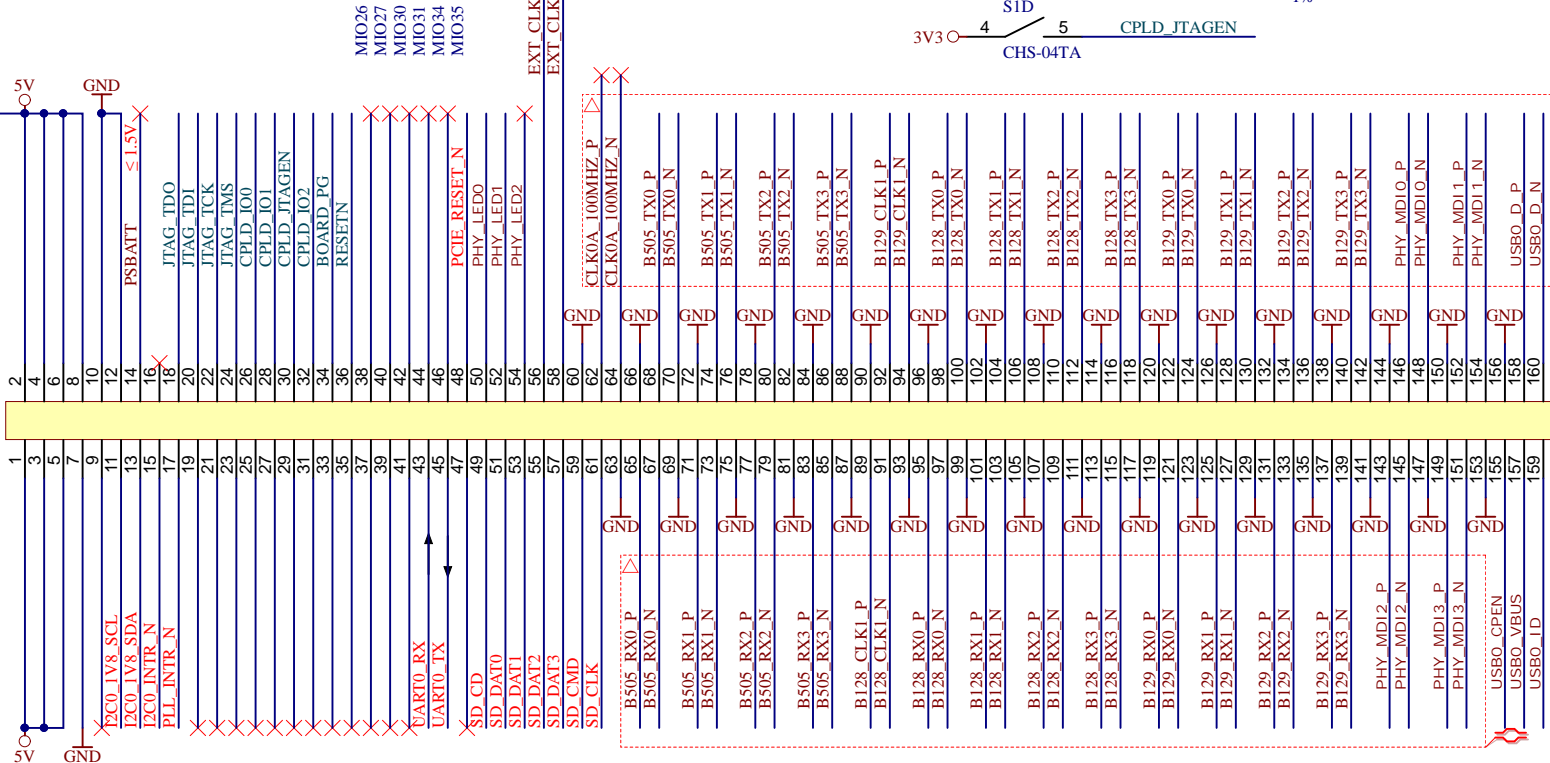
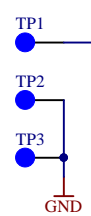
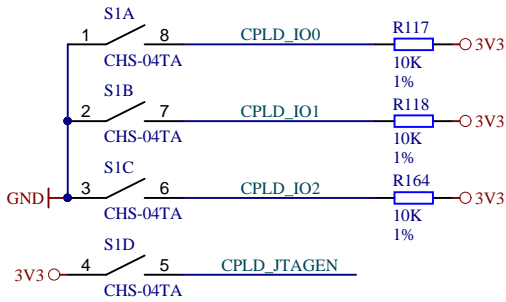
4

1

2

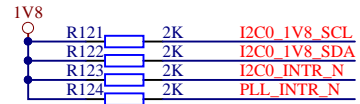
3

4



MIO14
MIO15
MIO16
MIO17
MIO18
MIO19
MIO20
MIO21
MIO22
MIO23
MIO24
MIO25
MIO38
MIO39
MIO40
MIO41
MIO42
MIO43
MIO44
MIO45
MIO46
MIO47
MIO48
MIO49
MIO30
MIO31
MIO32
MIO33
MIO34
MIO35

SD1
Slot Type SD2.0



U17
SS5-80-3.00-L-D-K-TR



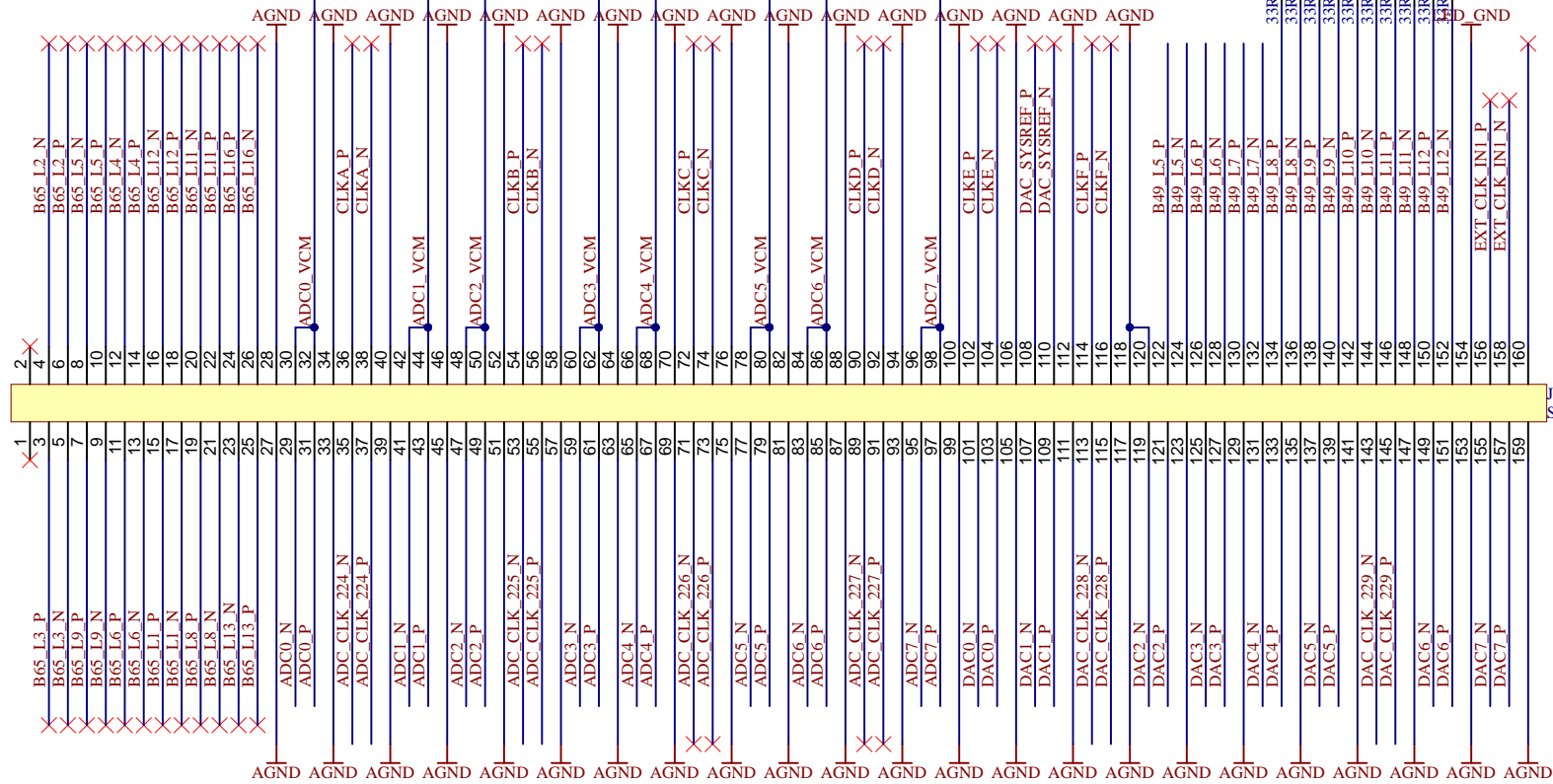
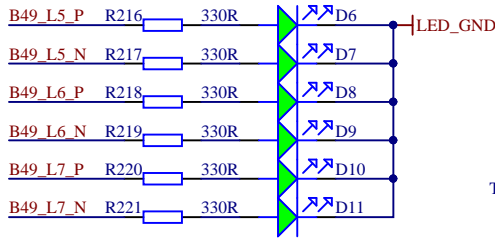
Title: B2B_1		
A4	Number: TEB0835 Default	Rev. 01
Date: 2019-11-19	Copyright: Trenz Electronic GmbH	Page 7 of 20
Drawn by: IG	Filename: B2B_1.SchDoc	

1

2

3

4



Title: B2B_2		
A4	Number: TEB0835 Default	Rev. 01
Date: 2019-11-19	Copyright: Trenz Electronic GmbH	
Page 8 of 20	Page 8 of 20	
Drawn by: IG	Filename: B2B_2.SchDoc	

U_PWR_3V3
PWR_3V3.SchDoc

U_PWR_1V8
PWR_1V8.SchDoc

U_PWR_5V
PWR_5V.SchDoc

FROM ATX CONNECTOR

@75W

12V_input_A

OV = 13.0V

UV = 11.0V

FROM PCIe edge CONNECTOR

@25W

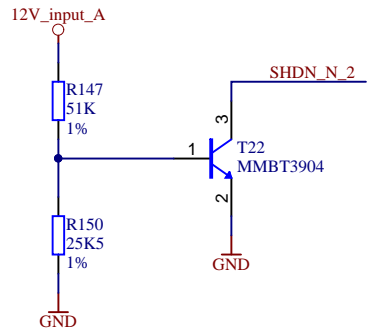
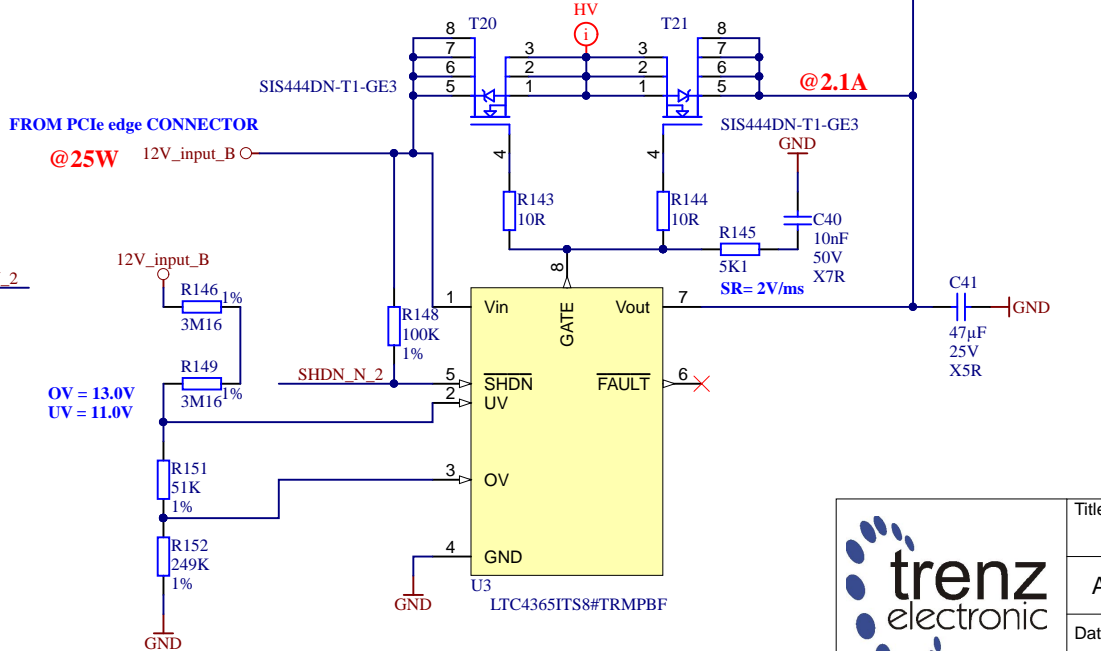
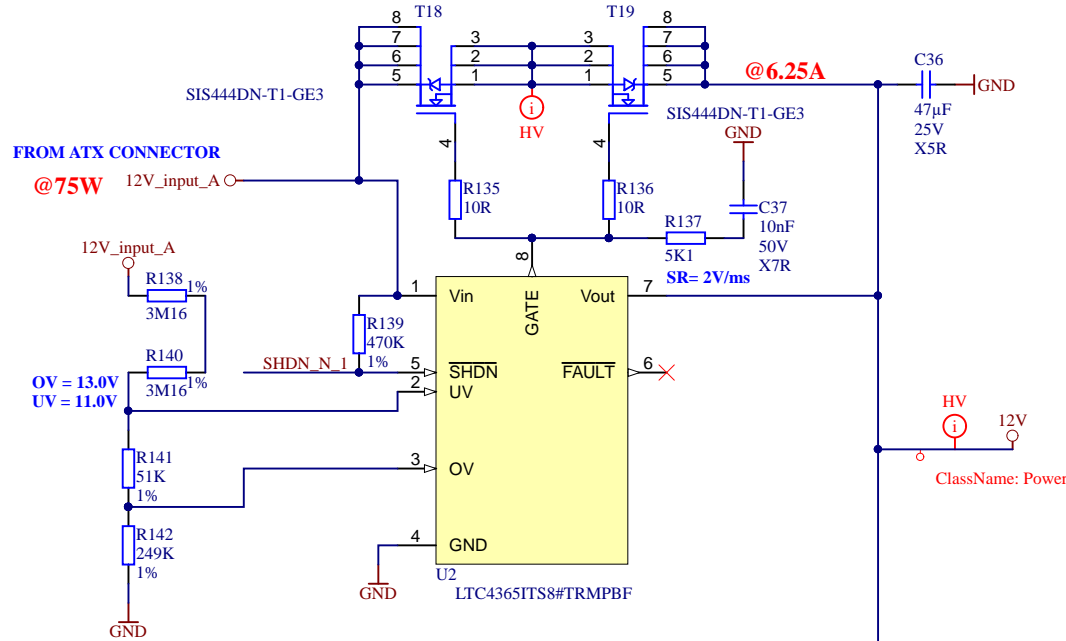
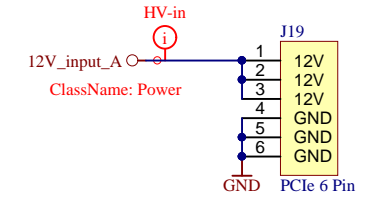
12V_input_B

OV = 13.0V

UV = 11.0V



Title: POWER		
A4	Number: TEB0835 Default	Rev. 01
Date: 2019-11-19	Copyright: Trenz Electronic GmbH	Page 9 of 20
Drawn by: IG	Filename: POWER.SchDoc	



1

2

3

4

A

A

B

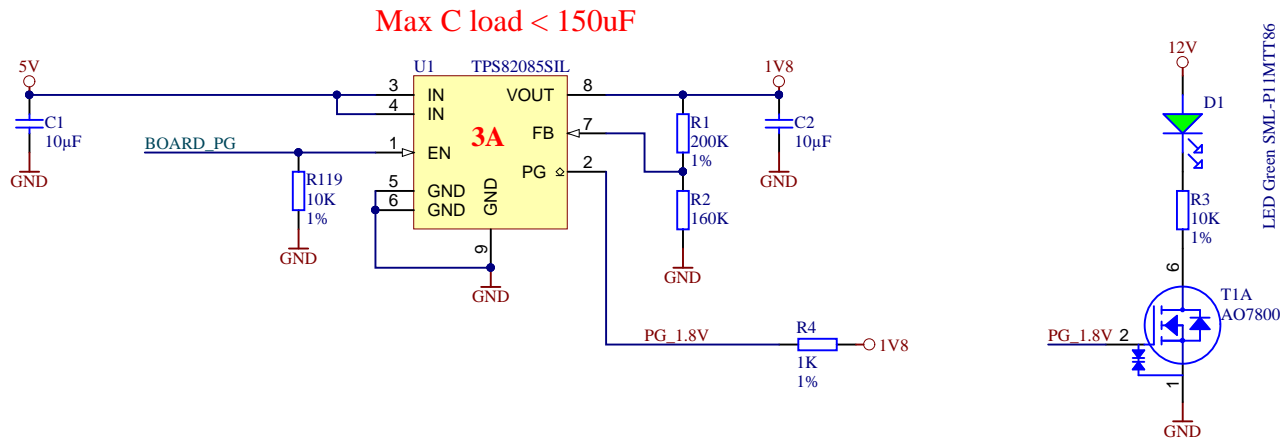
B

C

C

D

D



Title: PWR_1V8		
A4	Number: TEB0835 Default	Rev. 01
Date: 2019-11-19	Copyright: Trenz Electronic GmbH	Page 10 of 20
Drawn by: IG	Filename: PWR_1V8.SchDoc	

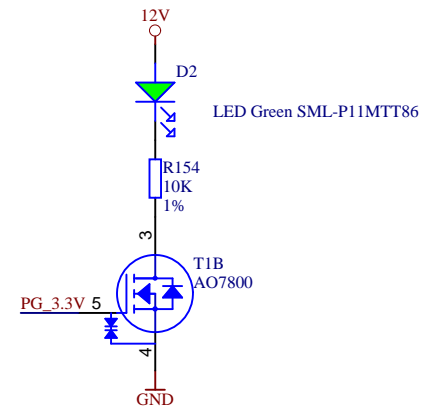
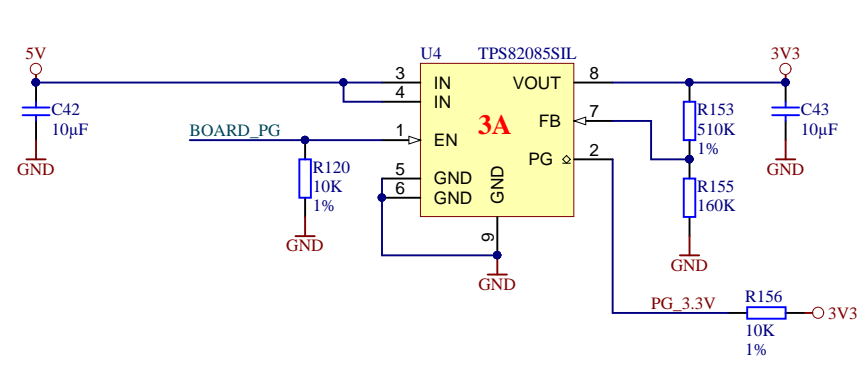
1

2

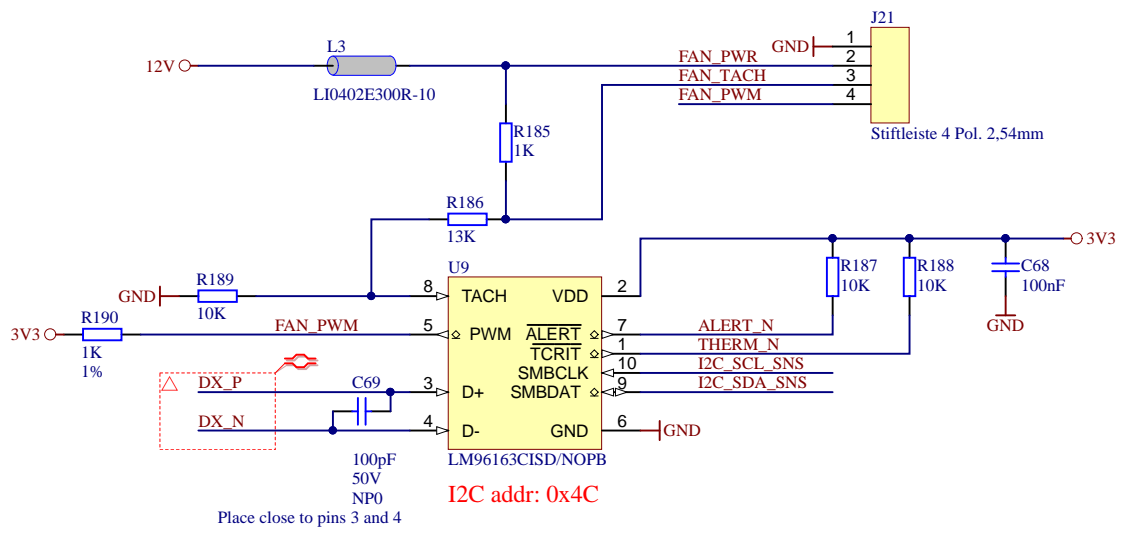
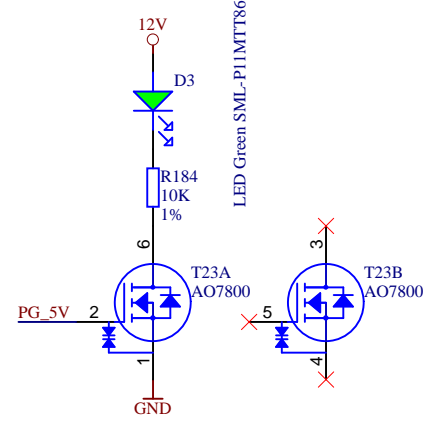
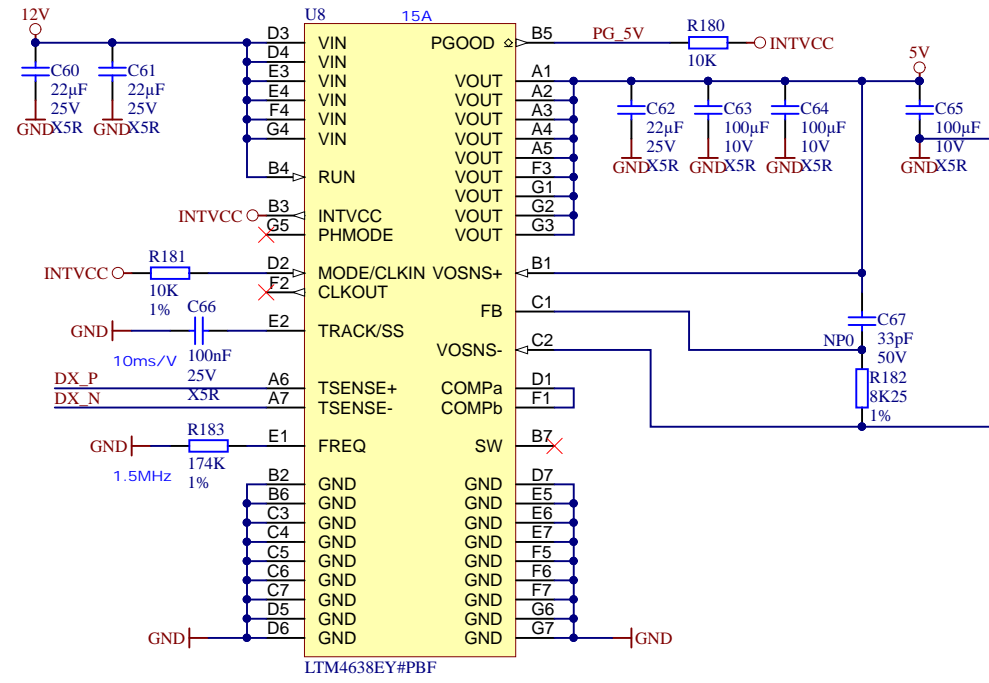
3

4

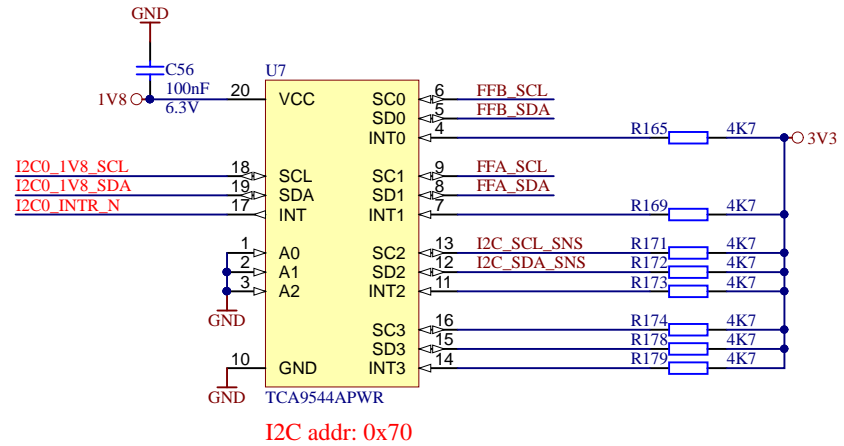
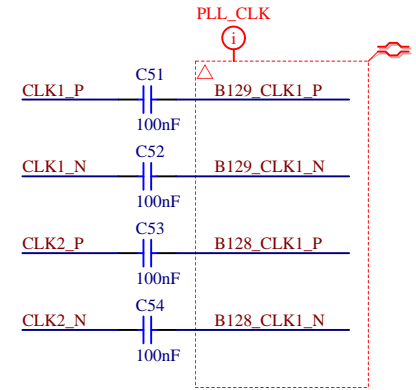
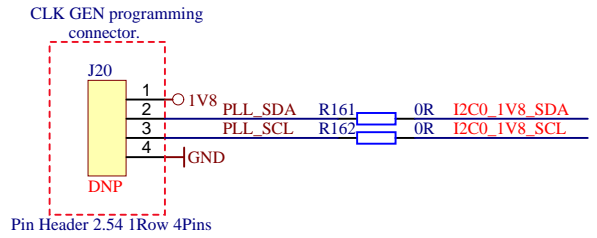
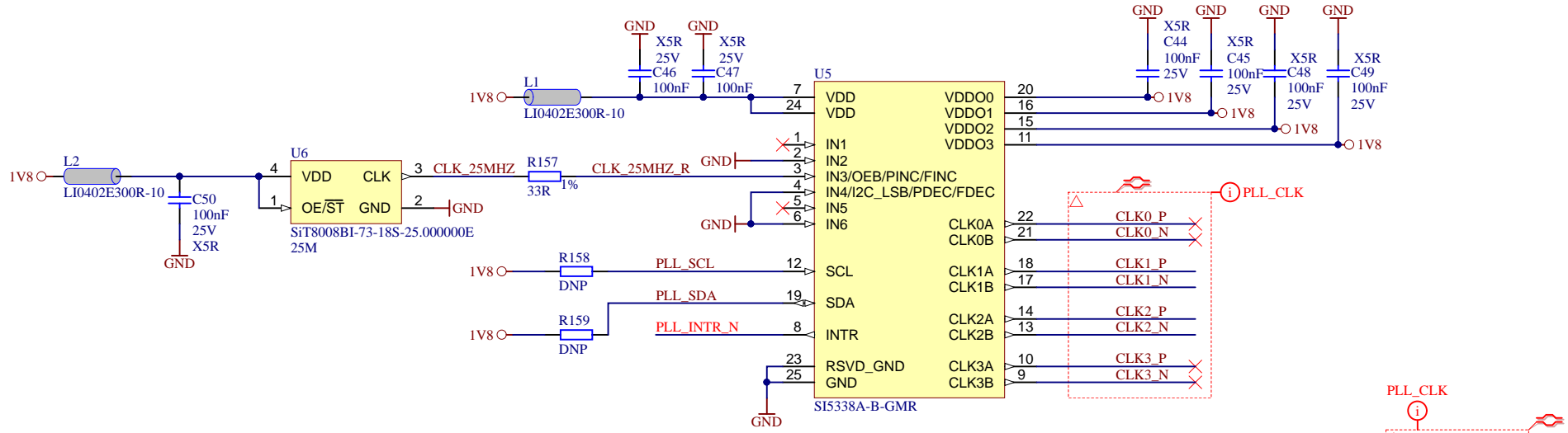
Max C load < 150uF




Title: PWR_3V3		
A4	Number: TEB0835 Default	Rev. 01
Date: 2019-11-19	Copyright: Trenz Electronic GmbH	Page 11 of 20
Drawn by: IG	Filename: PWR_3V3.SchDoc	



Title: PWR_5V		
A4	Number: TEB0835 Default	Rev. 01
Date: 2019-11-19	Copyright: Trenz Electronic GmbH	Page 12 of 20
Drawn by: IG	Filename: PWR_5V.SchDoc	



		Title: CLK-SI5338	
		A4	Number: TEB0835 Default
Date: 2019-11-19		Copyright: Trenz Electronic GmbH	
Page 13 of 20		Page 13 of 20	
Drawn by: IG		Filename: CLK-SI5338.SchDoc	

1

2

3

4

A

A

B

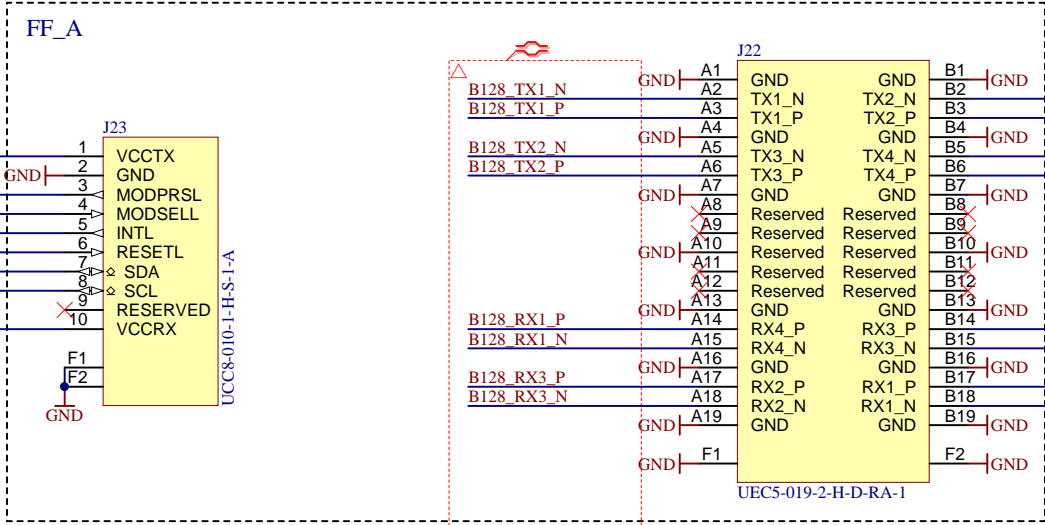
B

C

C

D

D

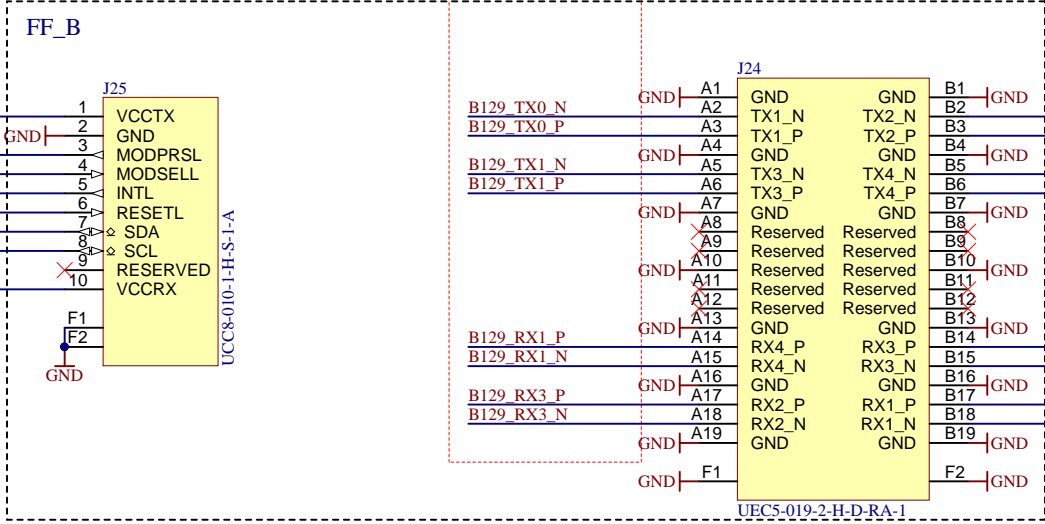


FF (i)

HS (i)

HS (i)

FF (i)



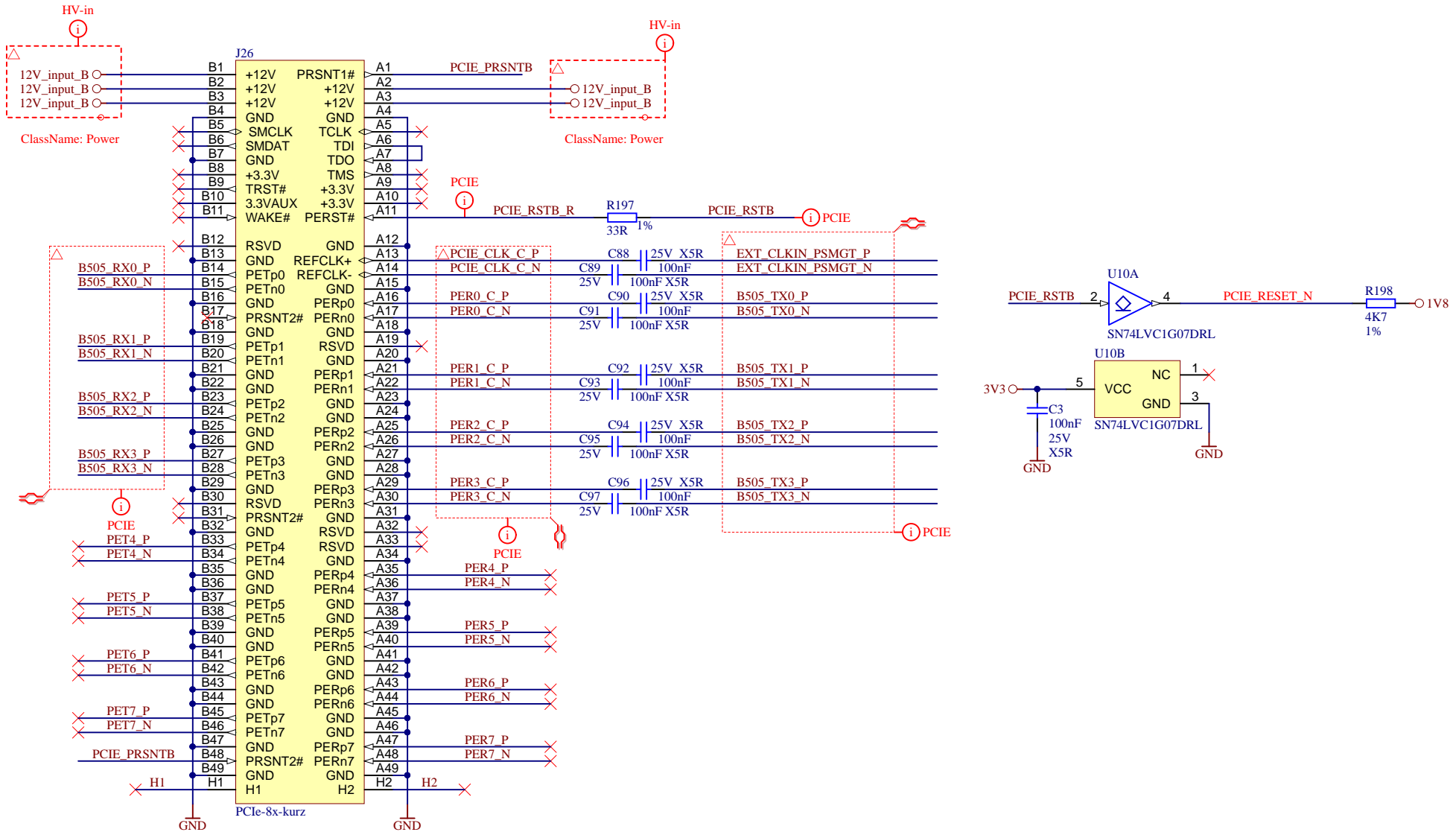
Title: FireFly_AB		
A4	Number: TEB0835 Default	Rev. 01
Date: 2019-11-19	Copyright: Trenz Electronic GmbH	Page 14 of 20
Drawn by: IG	Filename: FireFly_AB.SchDoc	

1

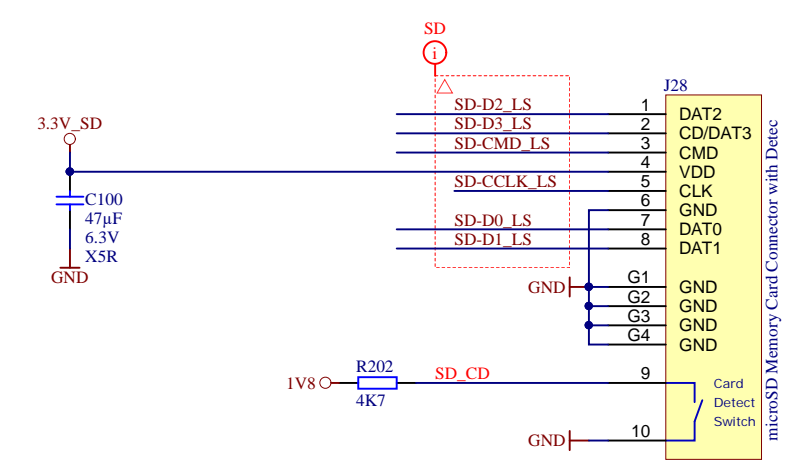
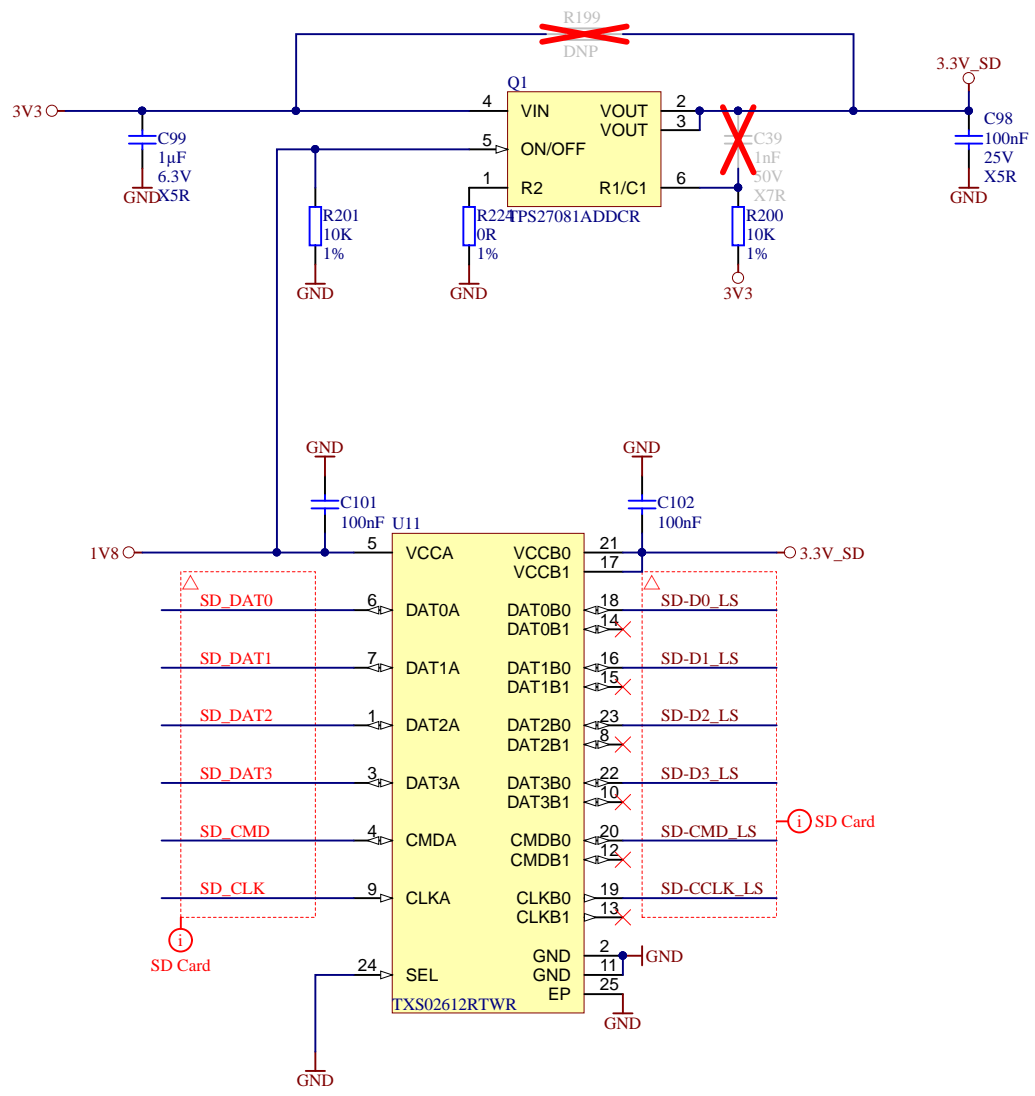
2

3

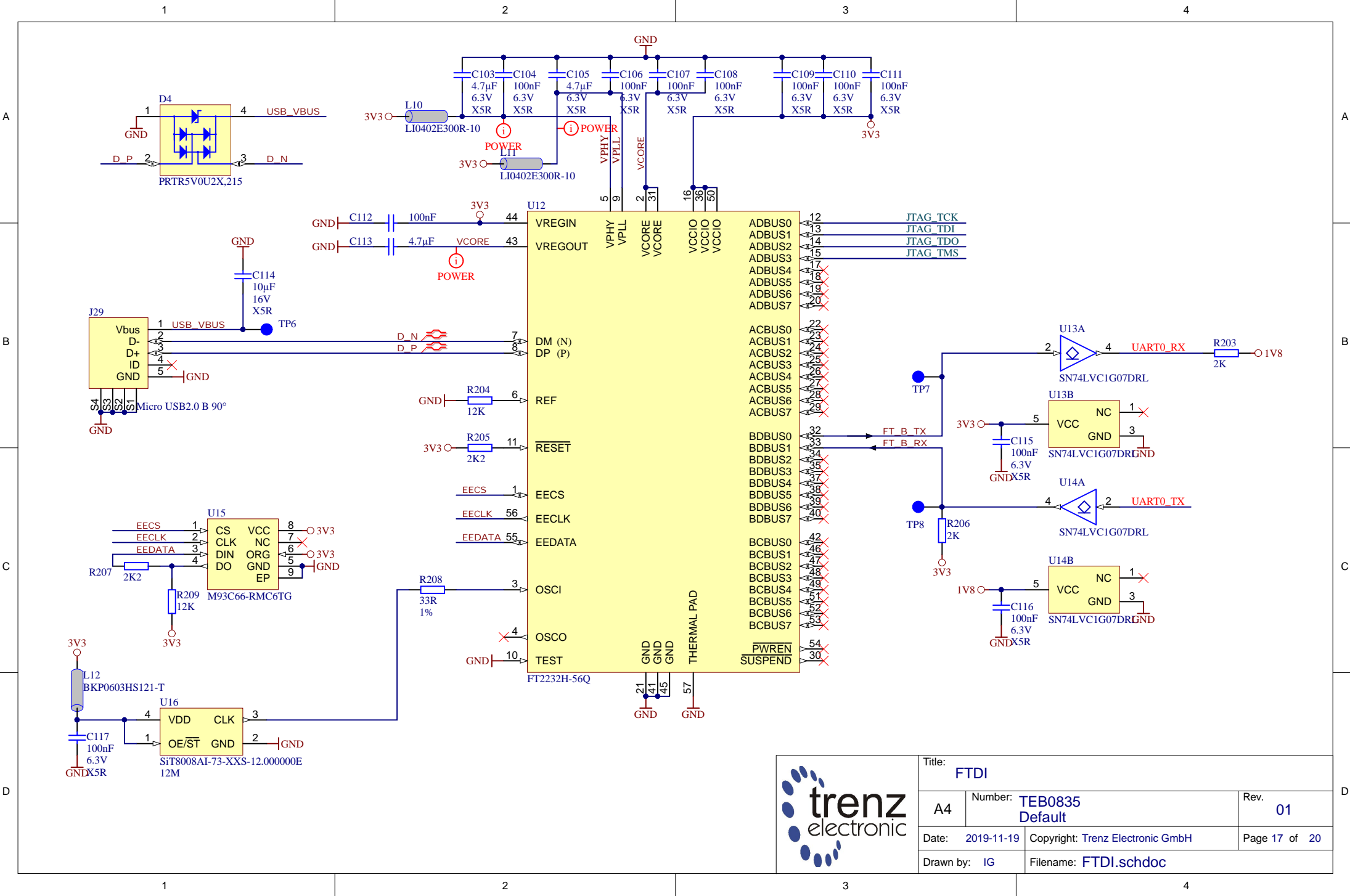
4



Title: PCIE_CONN		
A4	Number: TEB0835 Default	Rev. 01
Date: 2019-11-19	Copyright: Trenz Electronic GmbH	Page 15 of 20
Drawn by: IG	Filename: PCIE_CONN.SchDoc	

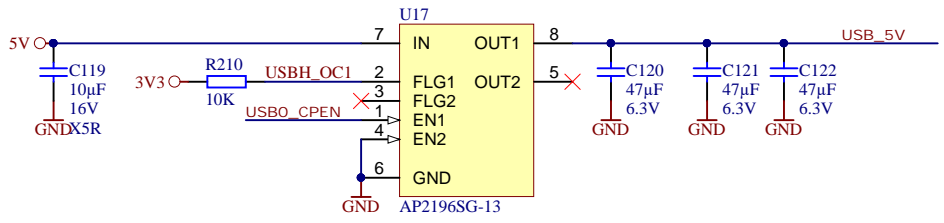
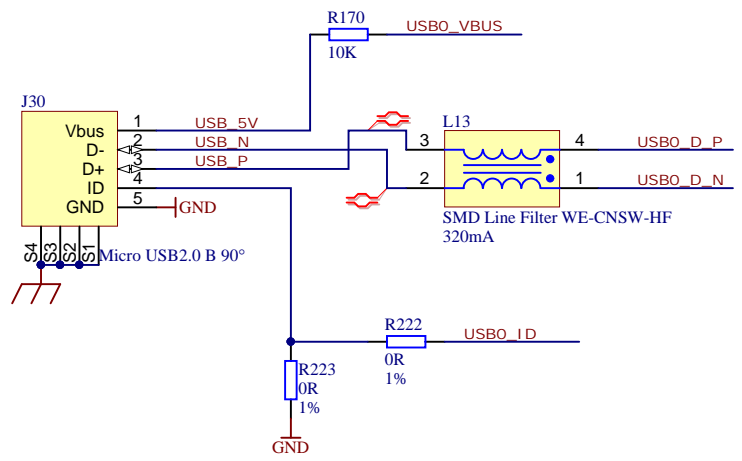
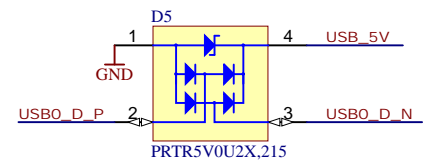
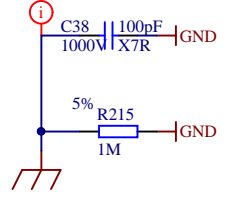


Title: SD		
A4	Number: TEB0835 Default	Rev. 01
Date: 2019-11-19	Copyright: Trenz Electronic GmbH	Page 16 of 20
Drawn by: IG	Filename: SD.SchDoc	



Title: FTDI		
A4	Number: TEB0835 Default	Rev. 01
Date: 2019-11-19	Copyright: Trenz Electronic GmbH	Page 17 of 20
Drawn by: IG	Filename: FTDI.schdoc	

PCB Rule



Title: MicroUSB		
A4	Number: TEB0835 Default	Rev. 01
Date: 2019-11-19	Copyright: Trenz Electronic GmbH	Page 18 of 20
Drawn by: IG	Filename: MicroUSB.SchDoc	

1

2

3

4

REVISION HISTORY

REV	Description	
-01	Initial revision	IG

A

A

B


B

C

C

D

D

	Title: Revision_Changes		
	A4	Number: TEB0835 Default	Rev. 01
	Date: 2019-11-19	Copyright: Trenz Electronic GmbH	Page 19 of 20
	Drawn by: IG	Filename: Revision_Changes.SchDoc	

1

2

3

4

1

2

3

4

A

A

B

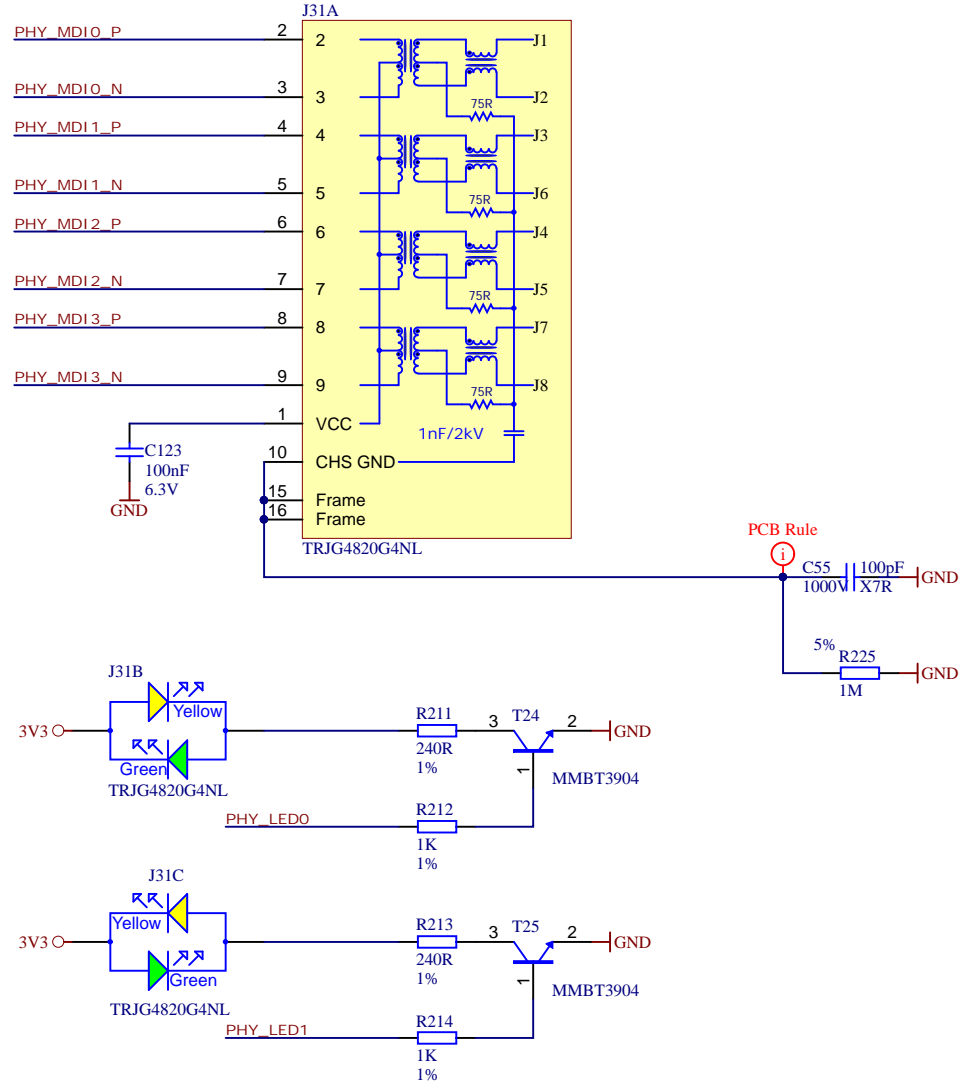
B

C

C

D

D



Title: ETH-PHY		
A4	Number: TEB0835 Default	Rev. 01
Date: 2019-11-19	Copyright: Trenz Electronic GmbH	Page 20 of 20
Drawn by: IG	Filename: ETH-PHY.SchDoc	

1

2

3

4