

1

2

3

4

A

A

U_B2B_Connectors
B2B_Connectors.SchDoc

U_VG_CONN
VG_CONN.SchDoc

U_ETHERNET
Ethernet.SchDoc



Pwr_Led_SW_But
Pwr_Led_SW_But.SchDoc



B

B



PM1



PM2



PM3



PM4



PM5



PM6

C

C

LOGO1



LOGO PRINT

D

D



Title: Overview		
A4	Number: TEB0728 [No Variations]	Rev. 01
Date: 24/06/2015	Copyright: Trenz Electronic GmbH	Page1 of 5
Filename: TEB0728.SchDoc		

1

2

3

4

A

A

B

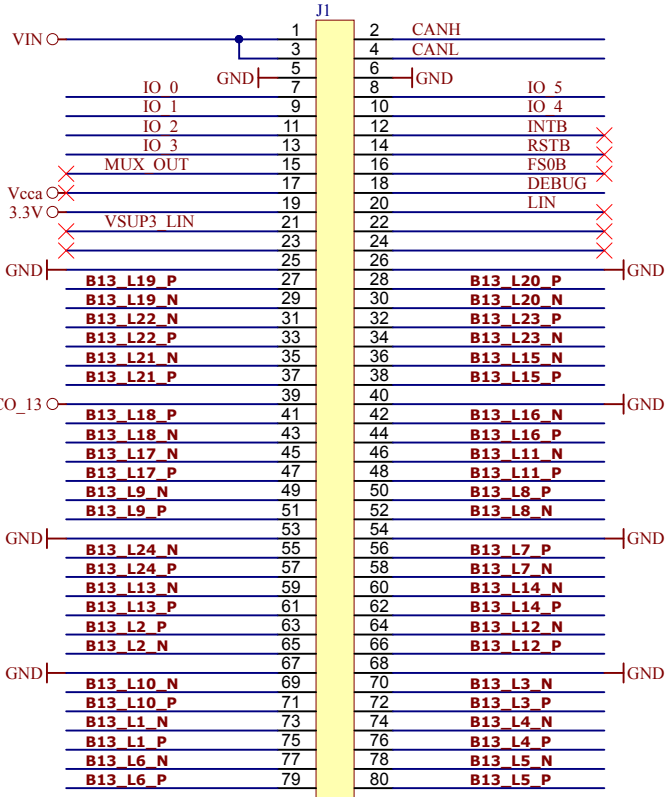
B

C

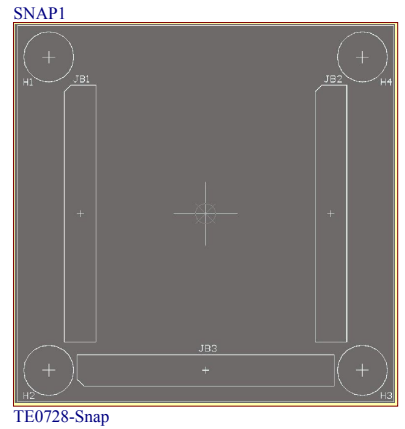
C

D

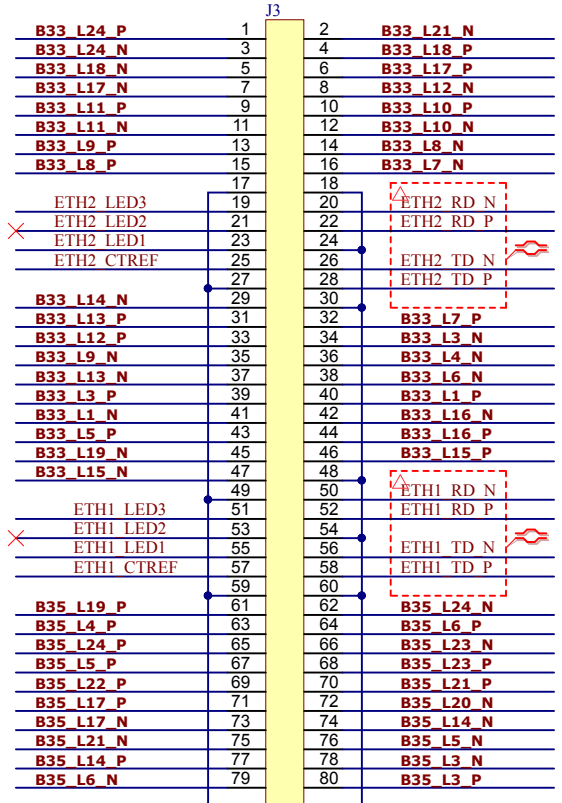
D



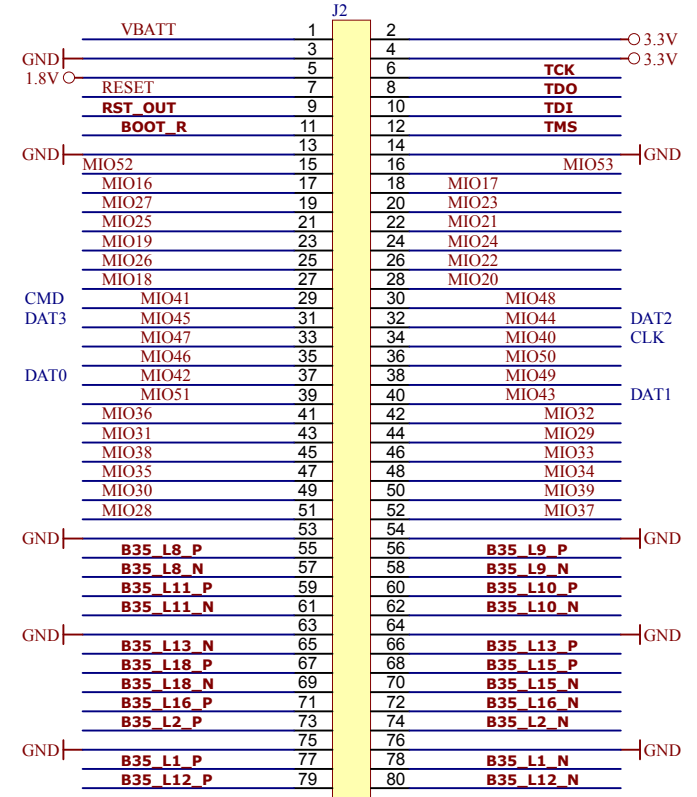
TEM-140-02-04.0-H-D-A



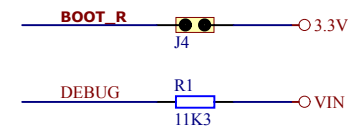
TE0728-Snap



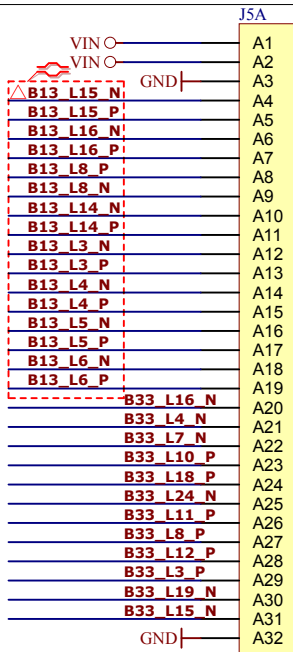
TEM-140-02-04.0-H-D-A



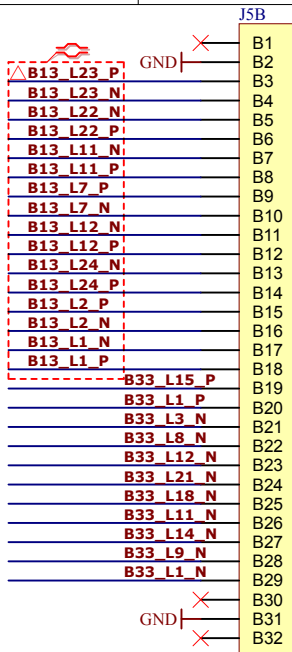
TEM-140-02-04.0-H-D-A



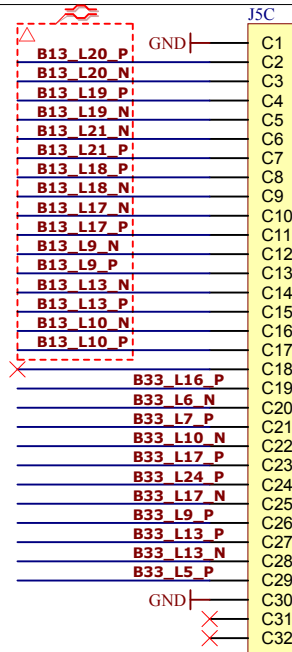
Title: B2B Connector		
A4	Number: TEB0728 [No Variations]	Rev. 01
Date: 24/06/2015	Copyright: Trenz Electronic GmbH	Page2 of 5
Filename: B2B_Connectors.SchDoc		



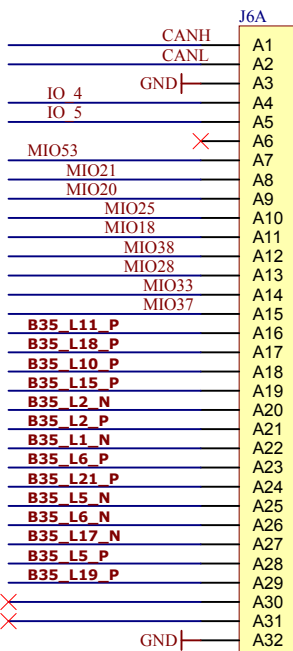
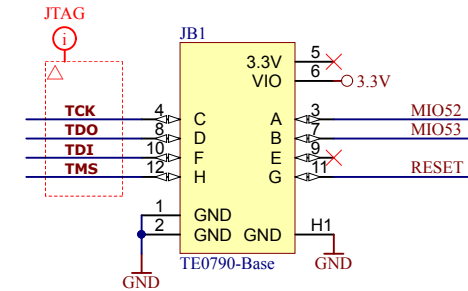
VG96 Buchsenleiste Vertikal



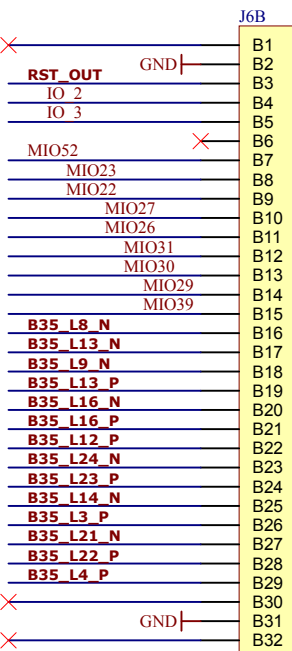
VG96 Buchsenleiste Vertikal



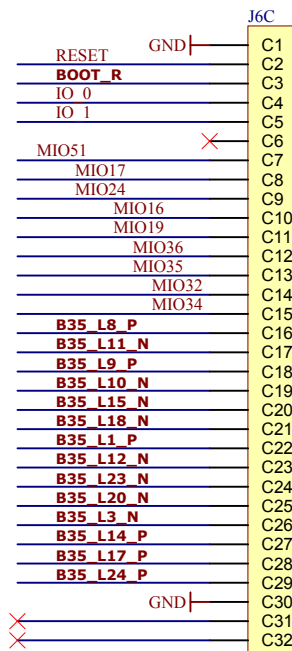
VG96 Buchsenleiste Vertikal



VG96 Buchsenleiste Vertikal



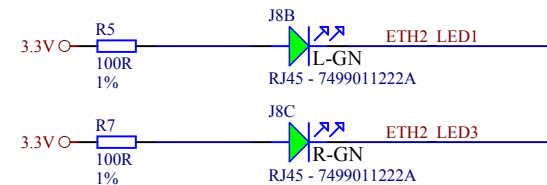
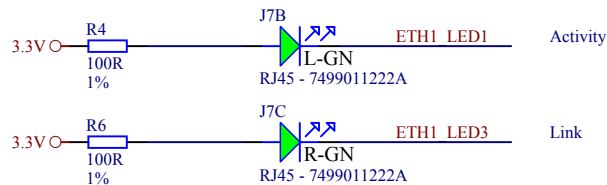
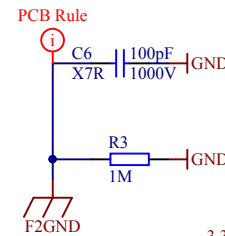
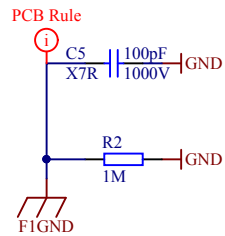
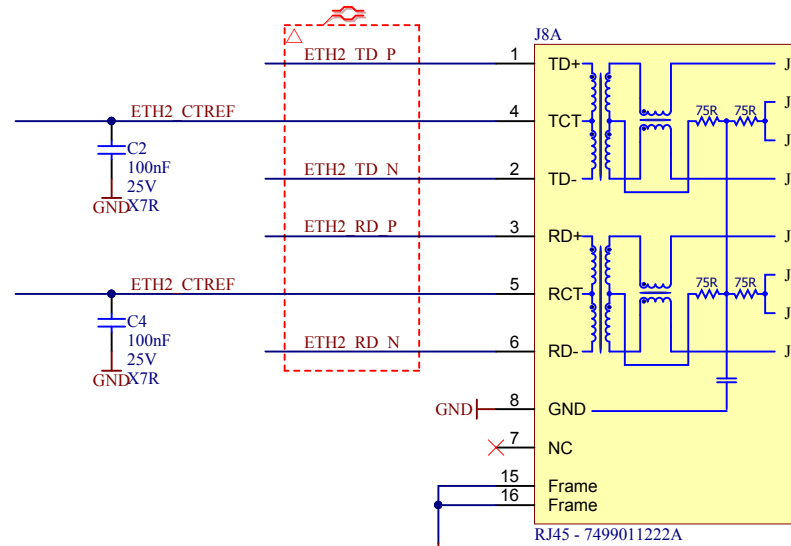
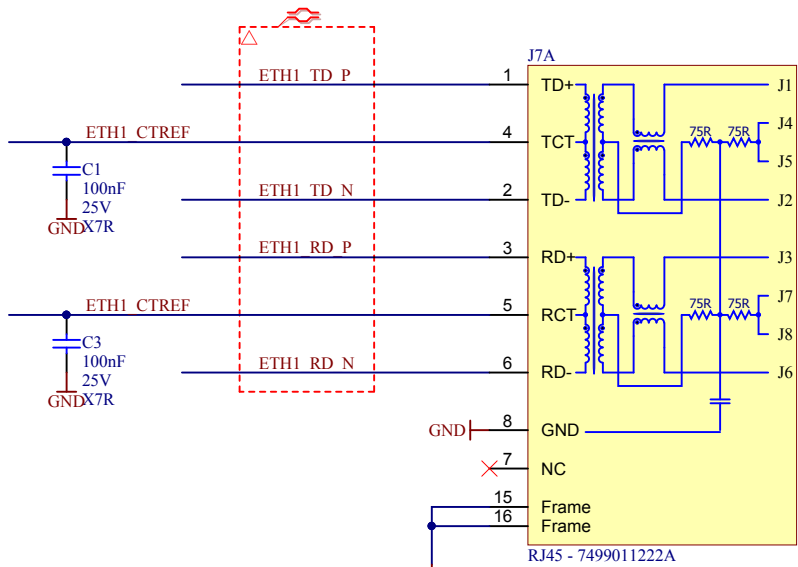
VG96 Buchsenleiste Vertikal



VG96 Buchsenleiste Vertikal



Title: External Connector		
A4	Number: TEB0728 [No Variations]	Rev. 01
Date: 24/06/2015	Copyright: Trenz Electronic GmbH	Page3 of 5
Filename: VG_CONN.SchDoc		



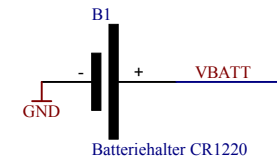
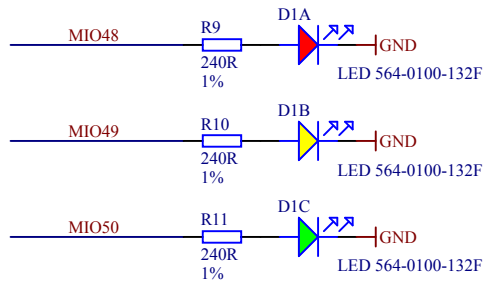
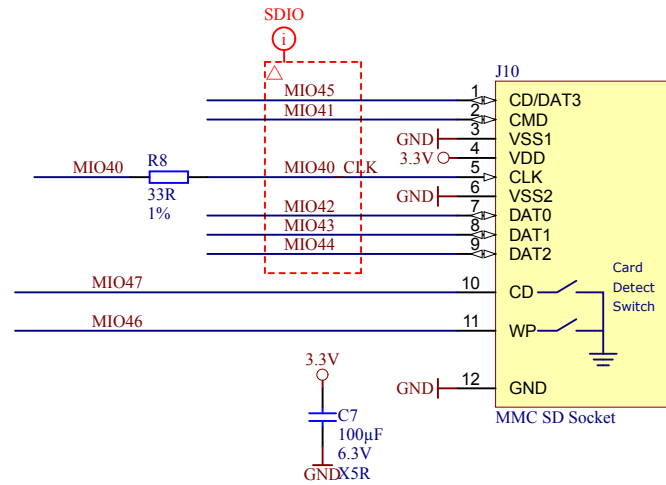
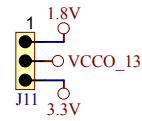
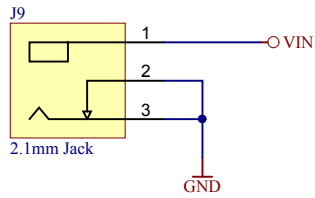
Title: Ethernet		
A4	Nummer: TEB0728 [No Variations]	Rev. 01
Datum: 24/06/2015	Zeichner: Trenz Electronic GmbH	Blatt 4 von 5
Filename: Ethernet.SchDoc		

1

2

3

4



	Title: Power SD LED		
	A4	Number: TEB0728 [No Variations]	Rev. 01
	Date: 24/06/2015	Copyright: Trenz Electronic GmbH	Page 5 of 5
	Filename: Pwr_Led_SW_But.SchDoc		

1

2

3

4