

1

2

3

4

A

A

U_B2B_Connectors
B2B_Connectors.SchDoc



U_VG_CONN
VG_CONN.SchDoc



U_ETHERNET
Ethernet.SchDoc



Pwr_Led_SW_But
Pwr_Led_SW_But.SchDoc



B

B

FIDU-DOT - small FIDU-DOT - small FIDU-DOT - small



PM1 FIDU-DOT - small PM2 FIDU-DOT - small PM3 FIDU-DOT - small

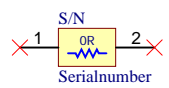


PM4 PM5 PM6

C

C

Serial
Serial
Serialnumber 6,3 x 6.3mm



LOGO1



LOGO PRINT

D

D



Title: Overview		
A4	Number: TEB0728 [No Variations]	Rev. 02
Date: 2018-05-30	Copyright: Trenz Electronic GmbH	Page1 of 6
Filename: TEB0728.SchDoc		

1

2

3

4

A

A

B

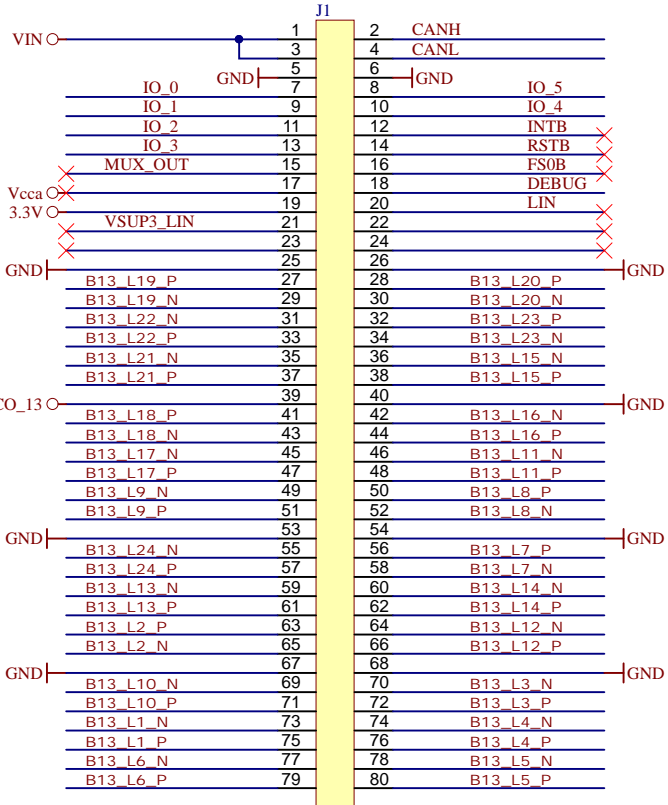
B

C

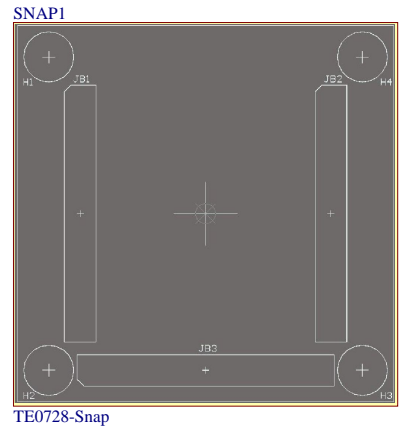
C

D

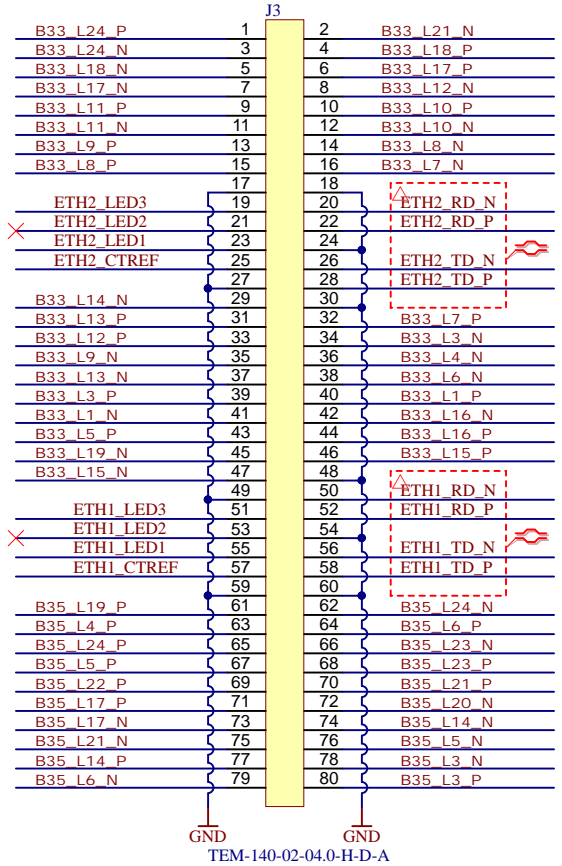
D



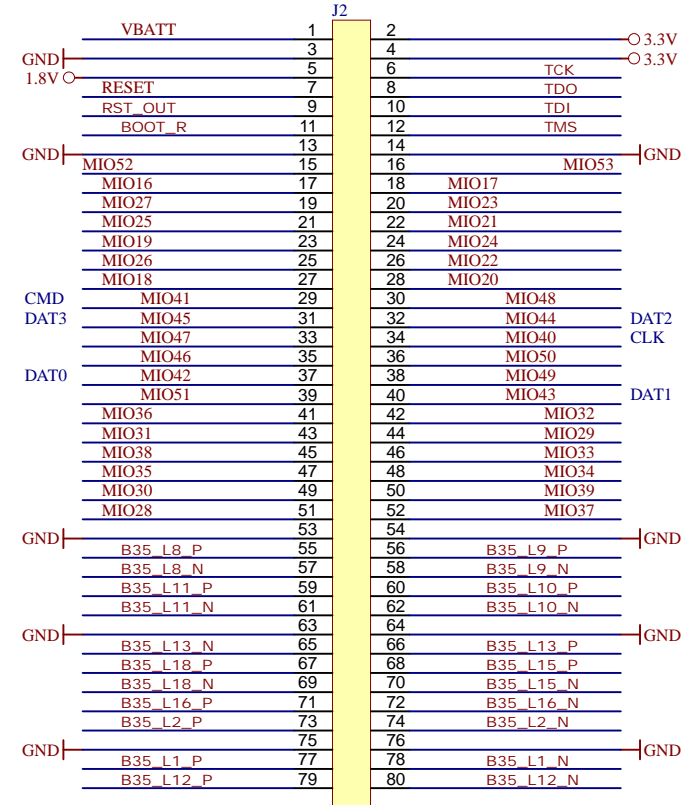
TEM-140-02-04.0-H-D-A



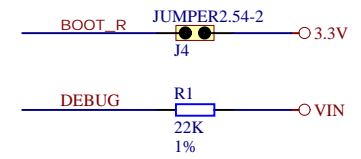
TE0728-Snap



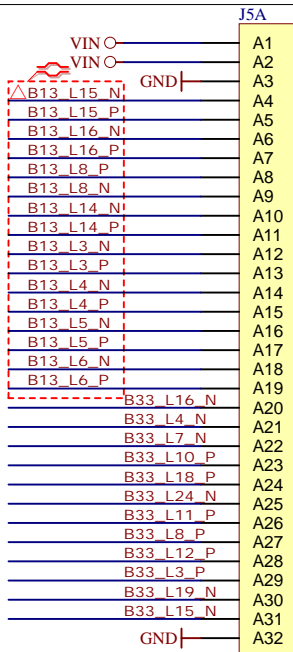
TEM-140-02-04.0-H-D-A



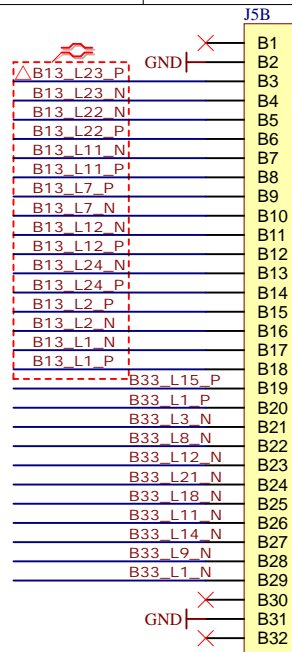
TEM-140-02-04.0-H-D-A



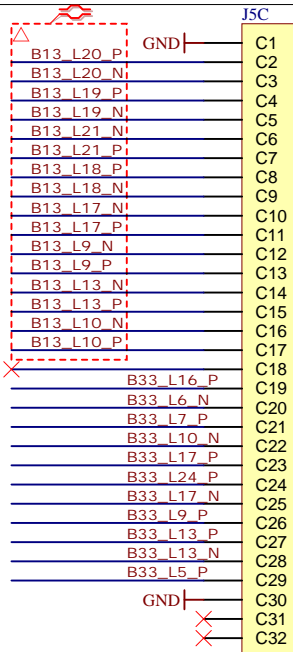
Title: B2B Connector		
A4	Number: TEB0728 [No Variations]	Rev. 02
Date: 2018-05-30	Copyright: Trenz Electronic GmbH	Page2 of 6
Filename: B2B_Connectors.SchDoc		



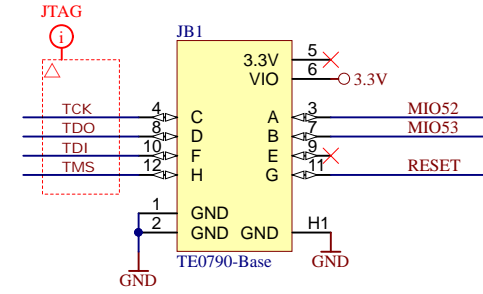
VG96 Buchsenleiste Vertikal



VG96 Buchsenleiste Vertikal



VG96 Buchsenleiste Vertikal



A

A

B

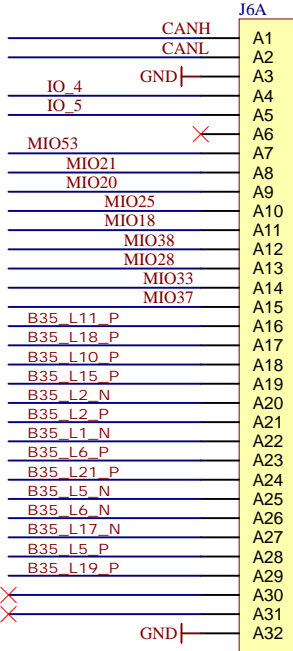
B

C

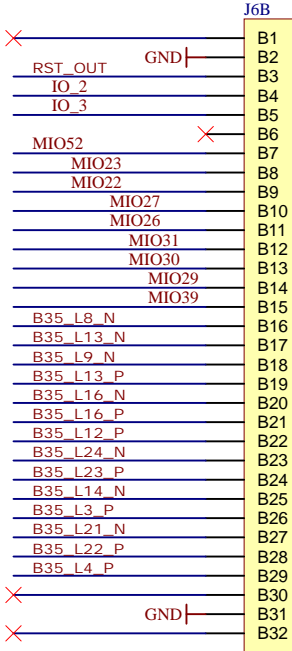
C

D

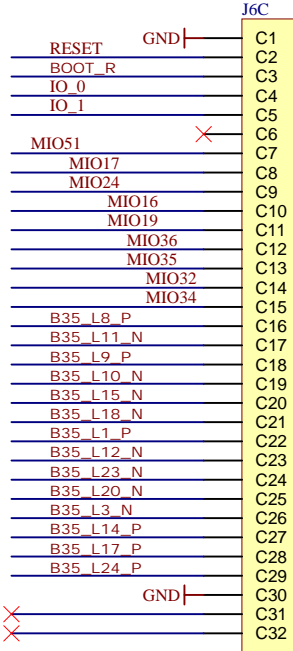
D



VG96 Buchsenleiste Vertikal



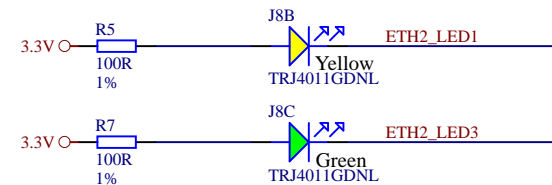
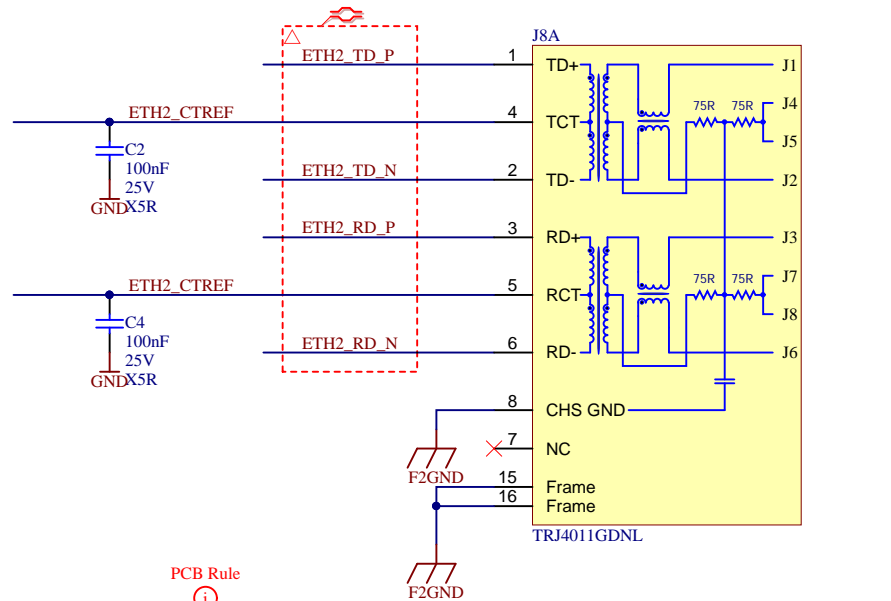
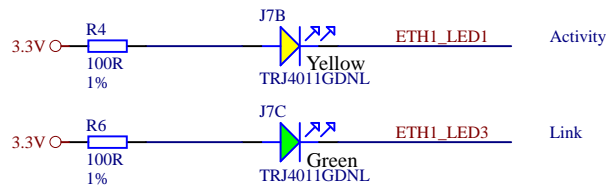
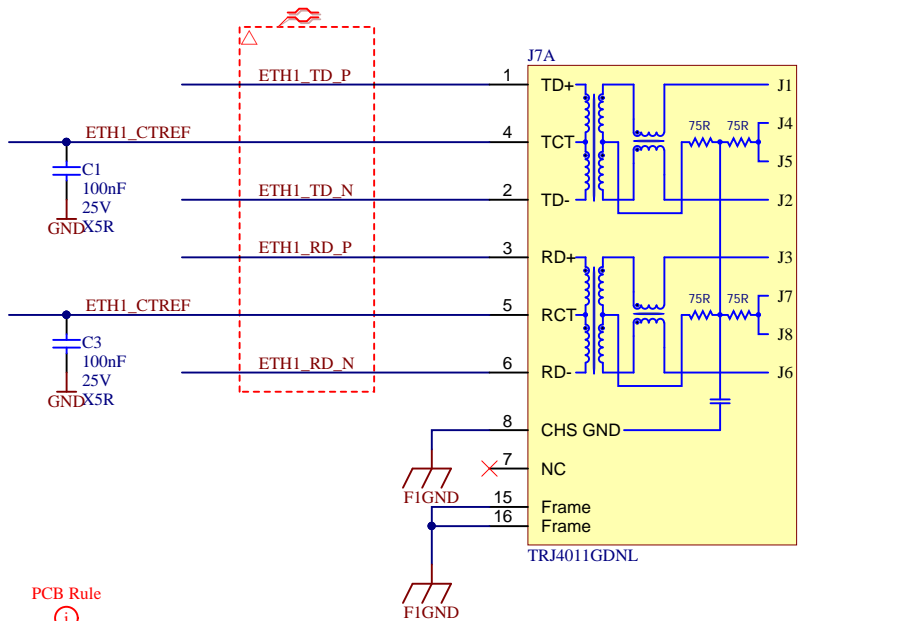
VG96 Buchsenleiste Vertikal



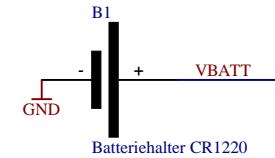
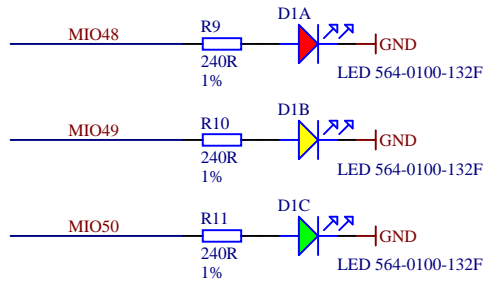
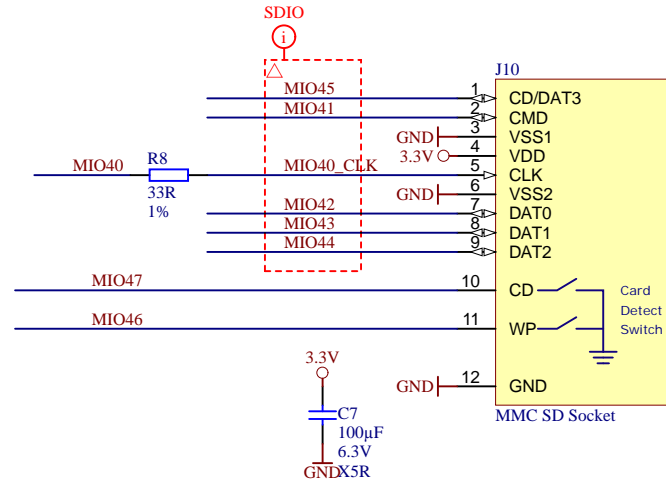
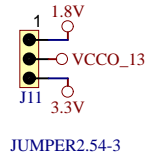
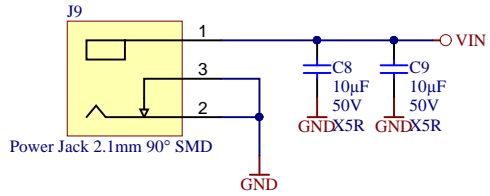
VG96 Buchsenleiste Vertikal




Title: External Connector		
A4	Number: TEB0728 [No Variations]	Rev. 02
Date: 2018-05-30	Copyright: Trenz Electronic GmbH	Page3 of 6
Filename: VG_CONN.SchDoc		



Title: Ethernet		
A4	Nummer: TEB0728 [No Variations]	Rev. 02
Datum: 2018-05-30	Zeichner: Trenz Electronic GmbH	Blatt 4 von 6
Filename: Ethernet.SchDoc		



		Title: Power SD LED	
		A4	Number: TEB0728 [No Variations]
Date: 2018-05-30		Copyright: Trenz Electronic GmbH	
Page 5		of 6	
Filename: Pwr_Led_SW_But.SchDoc			

1

2

3

4

REV01 -> REV02

- 1) changed value R1 (11K3 -> 22K)
- 2) changed magjack connectors J7, J8 (7499011222A -> TRJ4011GDNL)
- 3) changed 2.1mm power jack THT on SMD
- 4) magjack connectors: pin8 connected to frame (shassis ground)
- 5) lib component update
- 6) added thermal vias to mounting holes
- 7) added visual serial number
- 8) changed 2.1mm power jack THT on SMD
- 9) added 2 x 10uF to VIN

A

A

B


B

C

C

D

D

	Title: Changes list		
	A4	Number: TEB0728 [No Variations]	Rev. 02
	Date: 2018-05-30	Copyright: Trenz Electronic GmbH	Page 6 of 6
	Filename: Revision_Changes.SchDoc		

1

2

3

4