

1

2

3

4

A

A

B

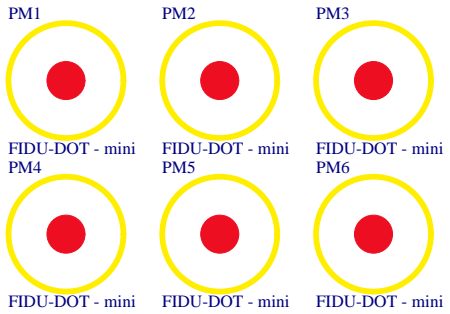
B

C

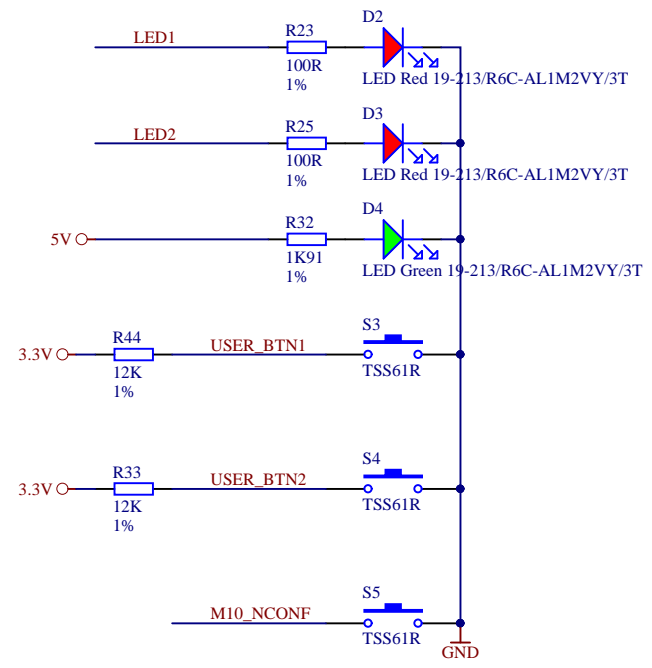
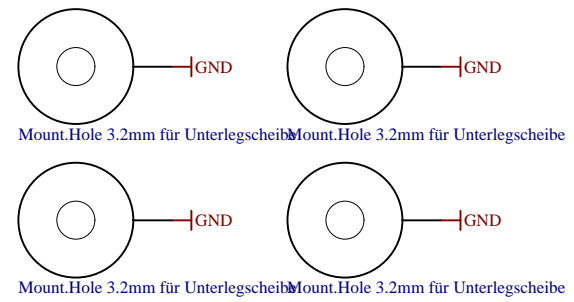
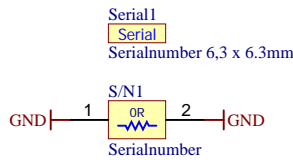
C

D

D



LOGO1  
 TE Logo PRINT Layer  
 LOGO PRINT



Title: TEIB0006		
A4	Number: TEIB0006 TEIB0006	Rev. 01
Date: 2018-09-13	Copyright: Trenz Electronic GmbH	Page1 of 12
Filename: TEIB006.SchDoc		

1

2

3

4

1

2

3

4

A

A

B

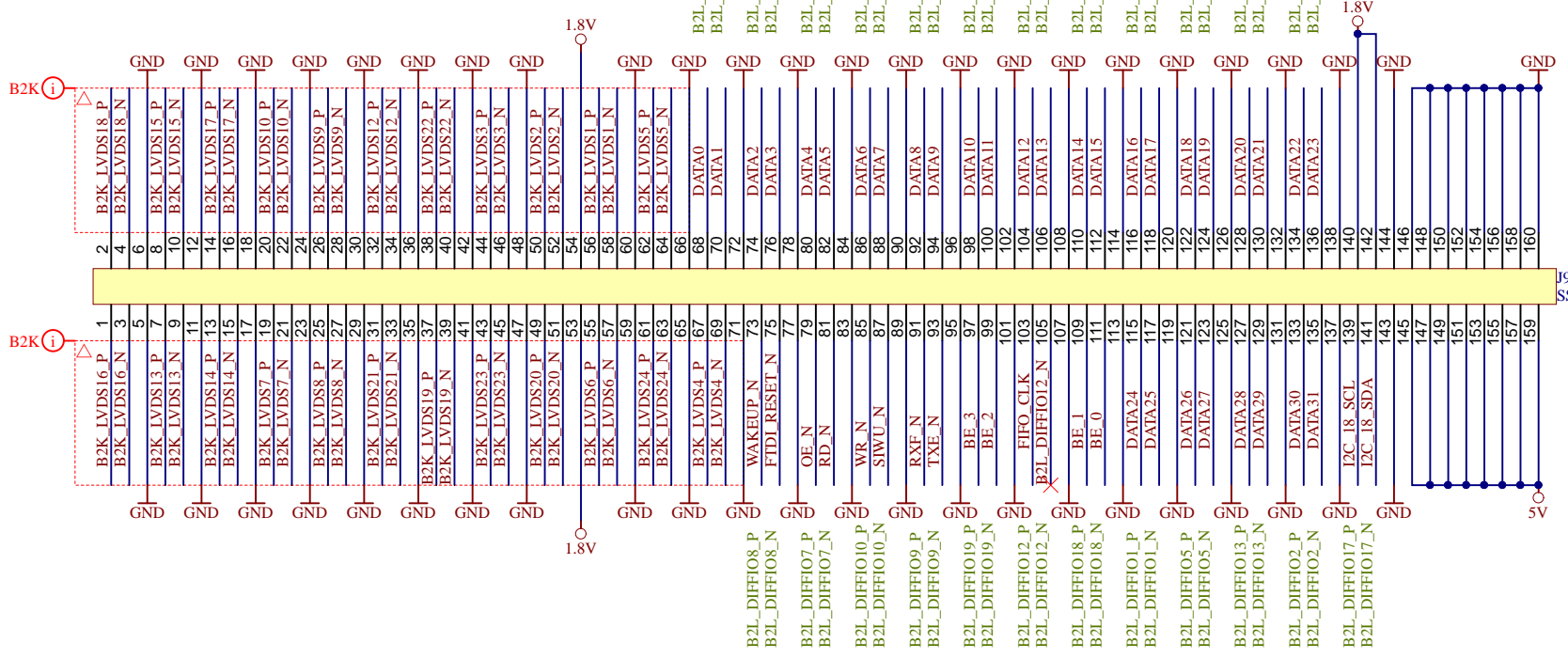
B

C

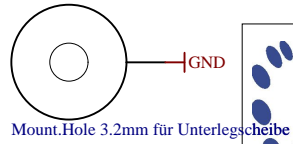
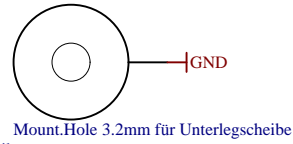
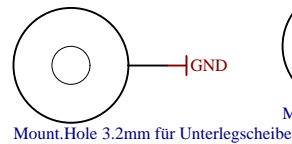
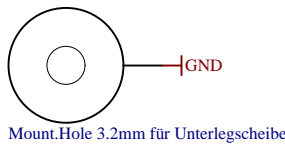
C

D

D



J9  
SS5-80-3.50-L-D-K-TR



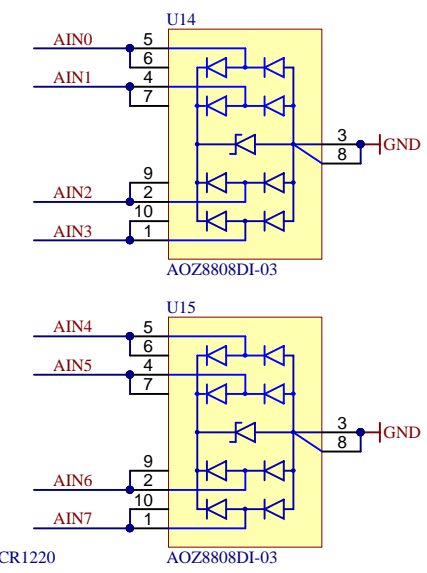
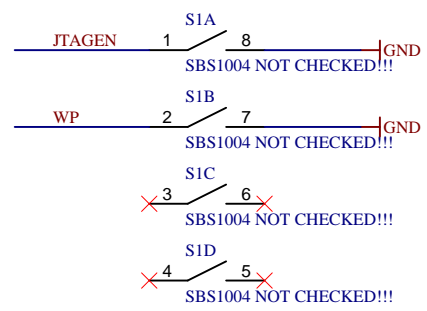
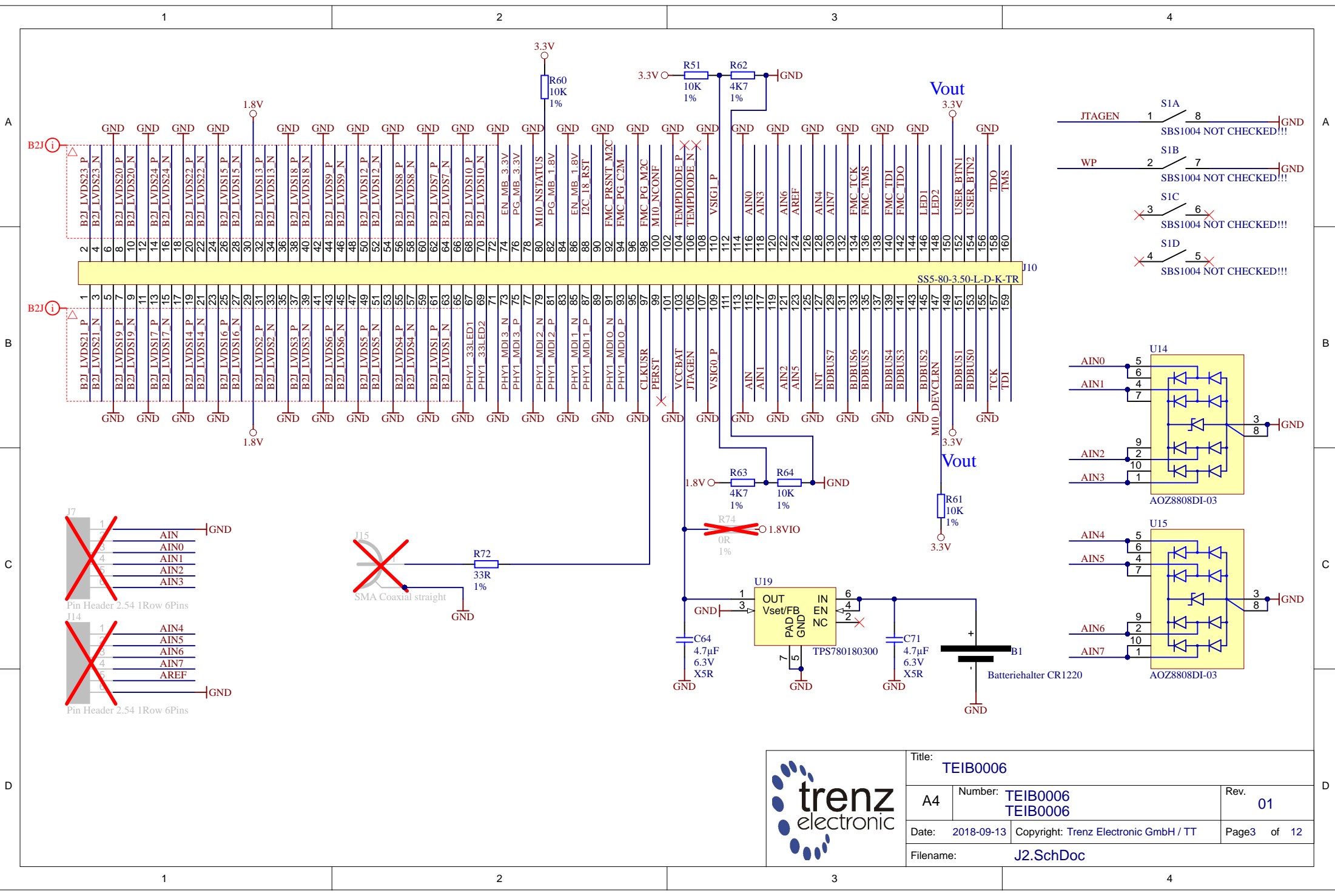
Title: <b>TEIB0006</b>		
A4	Number: <b>TEIB0006</b> <b>TEIB0006</b>	Rev. <b>01</b>
Date: <b>2018-09-13</b>	Copyright: <b>Trenz Electronic GmbH / TT</b>	Page <b>2</b> of <b>12</b>
Filename: <b>J1.SchDoc</b>		


1

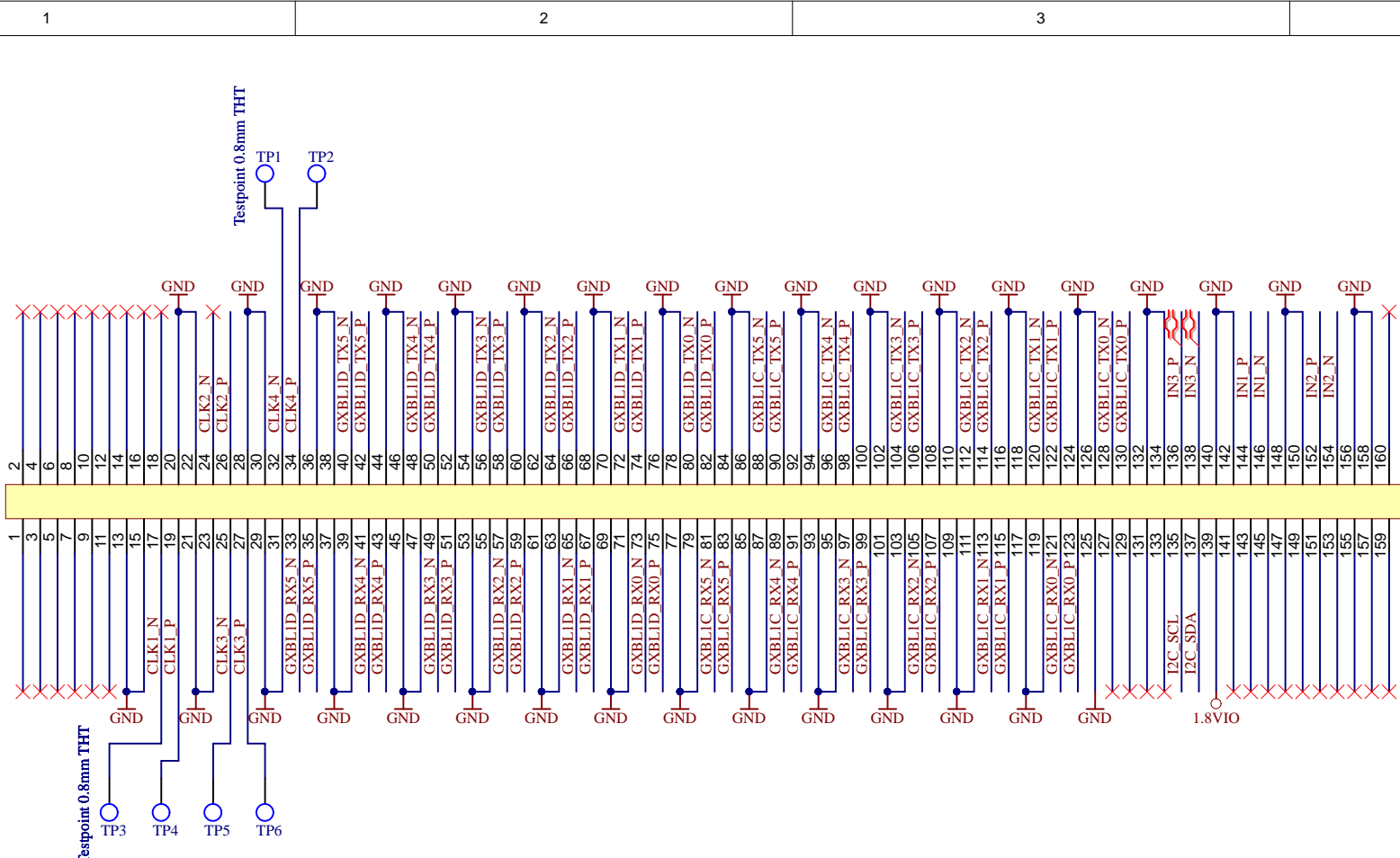
2

3

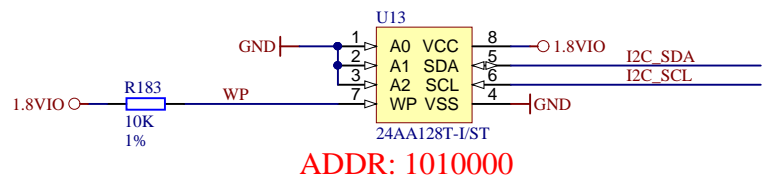
4



		Title: TEIB0006	
A4	Number: TEIB0006 TEIB0006	Rev. 01	
Date: 2018-09-13	Copyright: Trenz Electronic GmbH / TT	Page3 of 12	
Filename: J2.SchDoc			

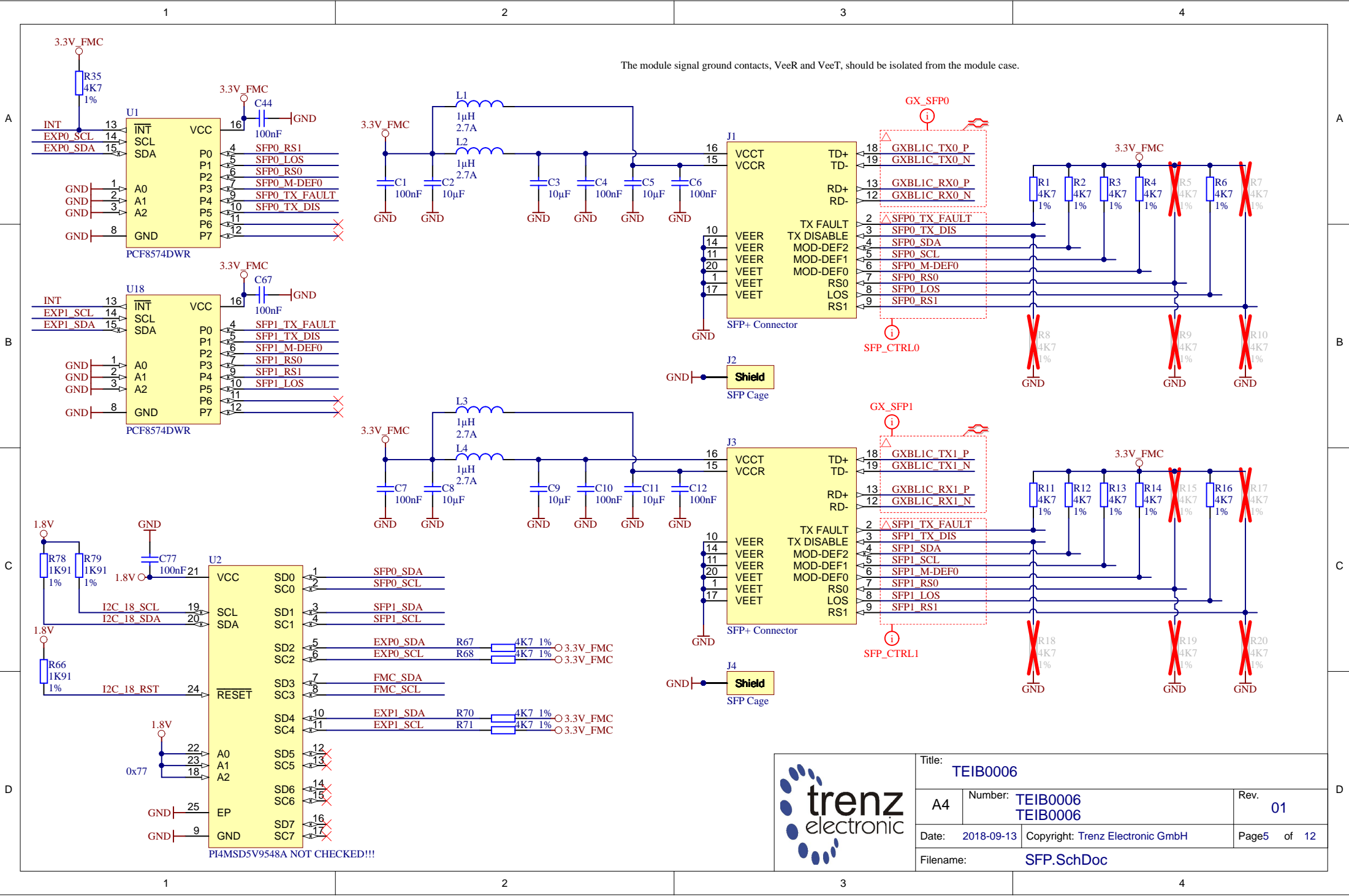


J11  
SS5-80-3.50-L-D-K-TR



Title: <b>TEIB0006</b>		
A4	Number: <b>TEIB0006</b> <b>TEIB0006</b>	Rev. <b>01</b>
Date: <b>2018-09-13</b>	Copyright: <b>Trenz Electronic GmbH / TT</b>	Page <b>4</b> of <b>12</b>
Filename: <b>J3.SchDoc</b>		

The module signal ground contacts, VeeR and VeeT, should be isolated from the module case.



Title: TEIB0006		
A4	Number: TEIB0006 TEIB0006	Rev. 01
Date: 2018-09-13	Copyright: Trenz Electronic GmbH	Page5 of 12
Filename: SFP.SchDoc		

P14MSD5V9548A NOT CHECKED!!!

1

2

3

4

A

A

B

B

C

C

D

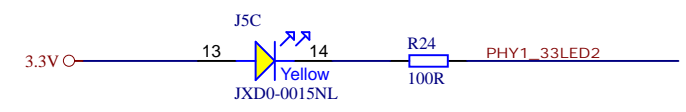
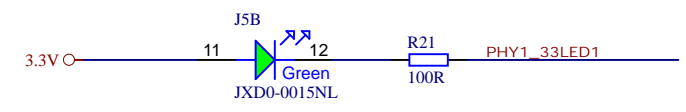
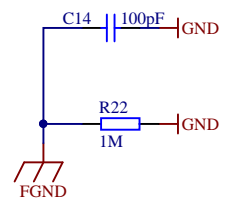
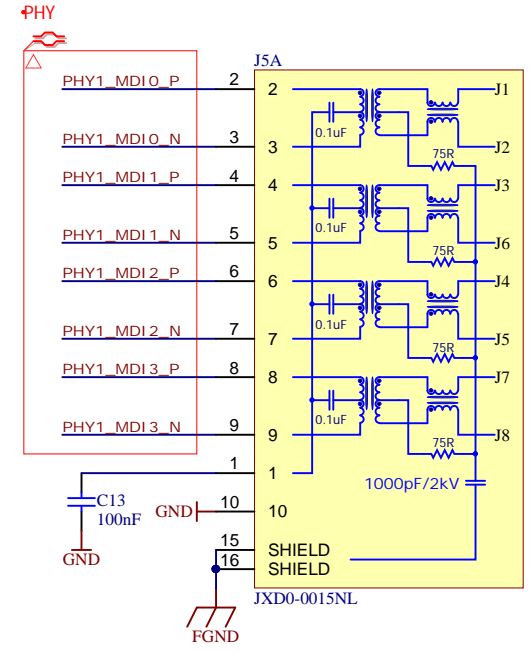
D


1

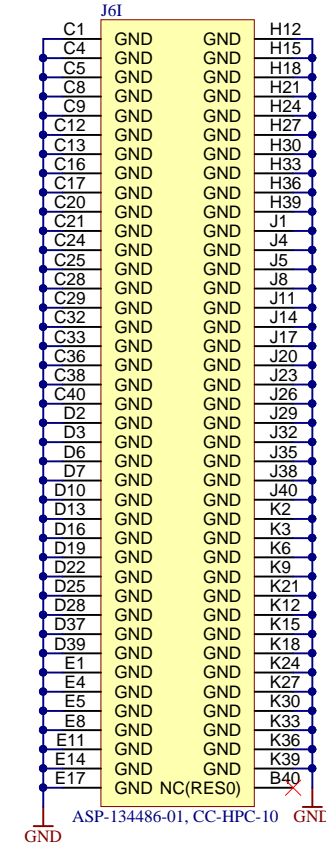
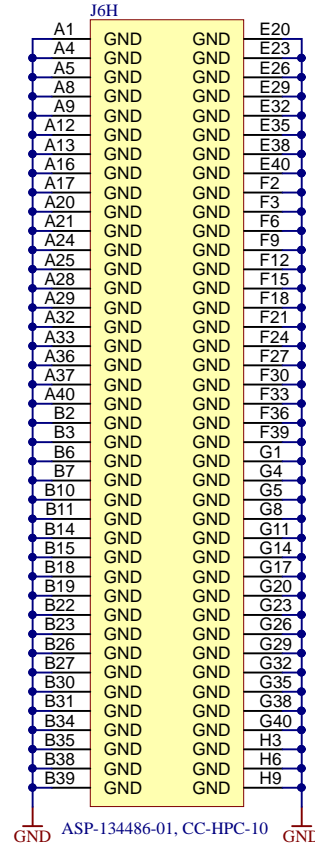
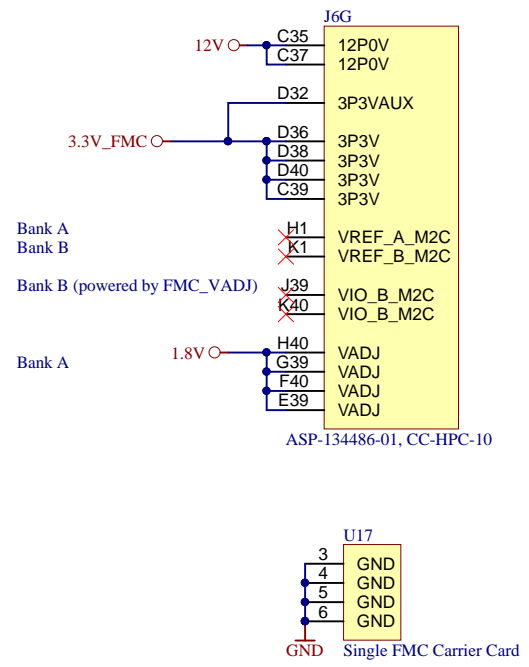
2

3

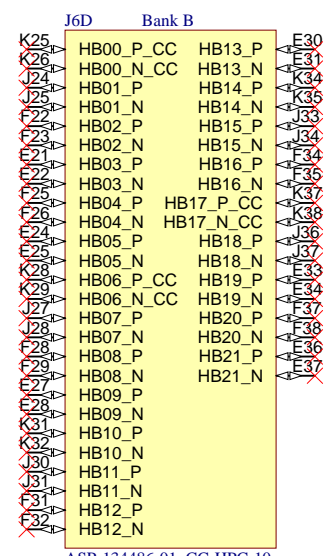
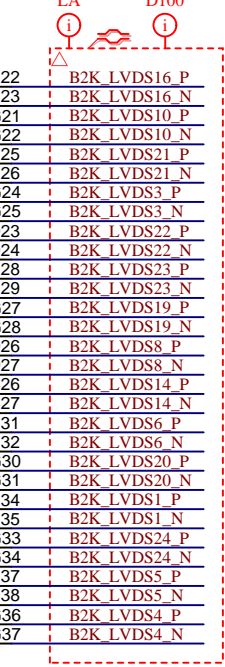
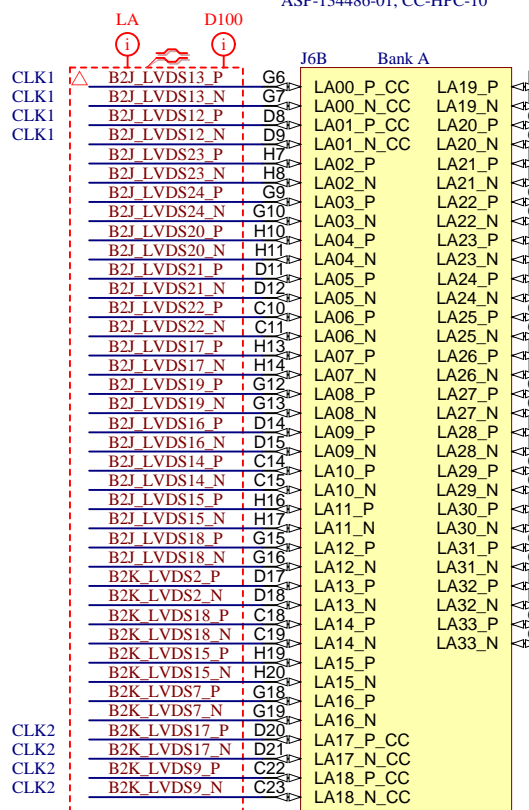
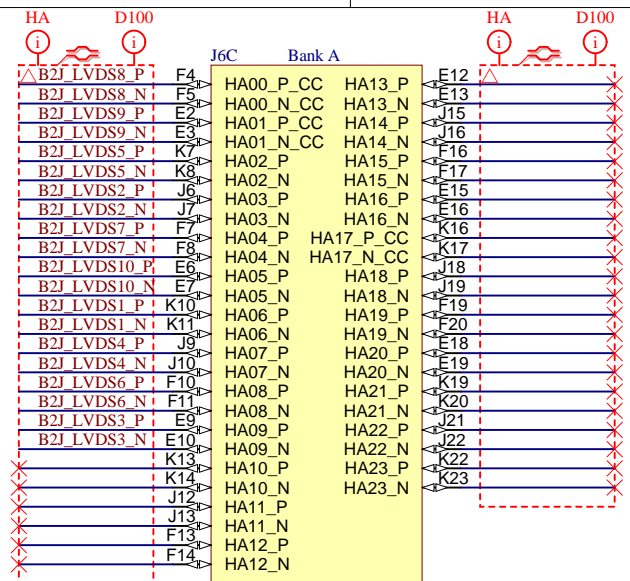
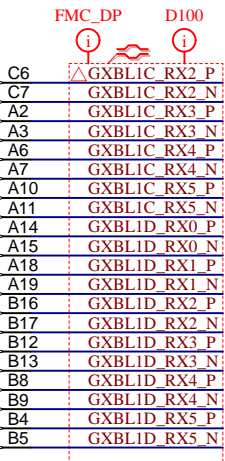
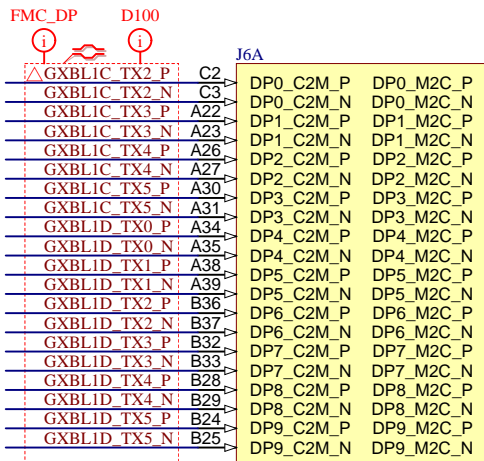
4



			Title: TEIB0006	
			A4	Number: TEIB0006 TEIB0006
Date: 2018-09-13		Copyright: Trenz Electronic GmbH		Page6 of 12
Filename: ETH.SchDoc				

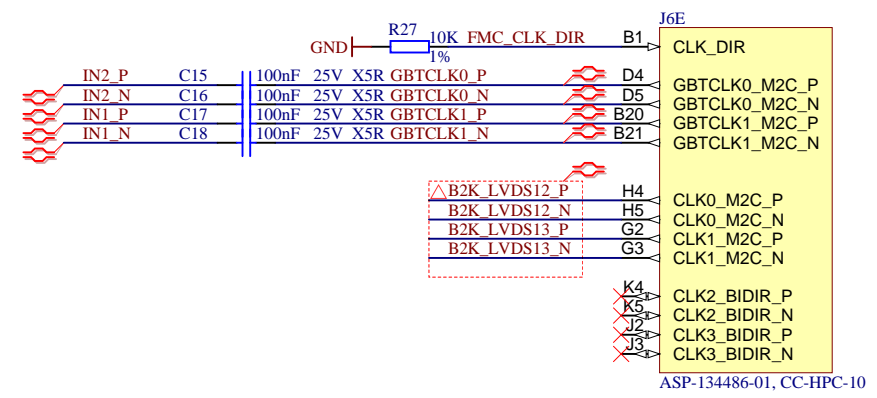
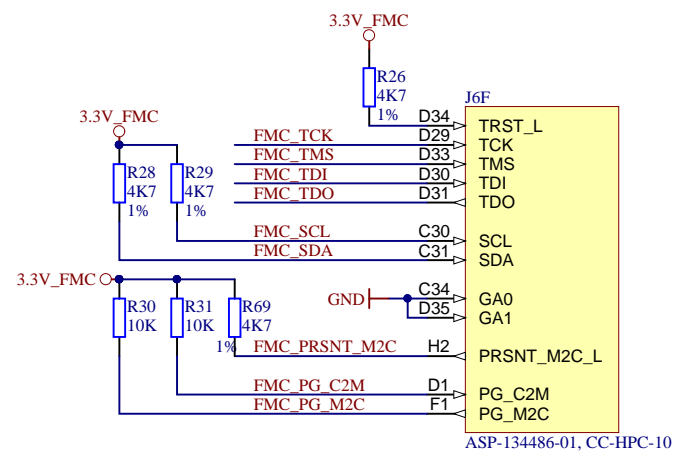



Title: TEIB0006		
A4	Number: TEIB0006 TEIB0006	Rev. 01
Date: 2018-09-13	Copyright: Trenz Electronic GmbH	Page 7 of 12
Filename: FMC PWR.SchDoc		

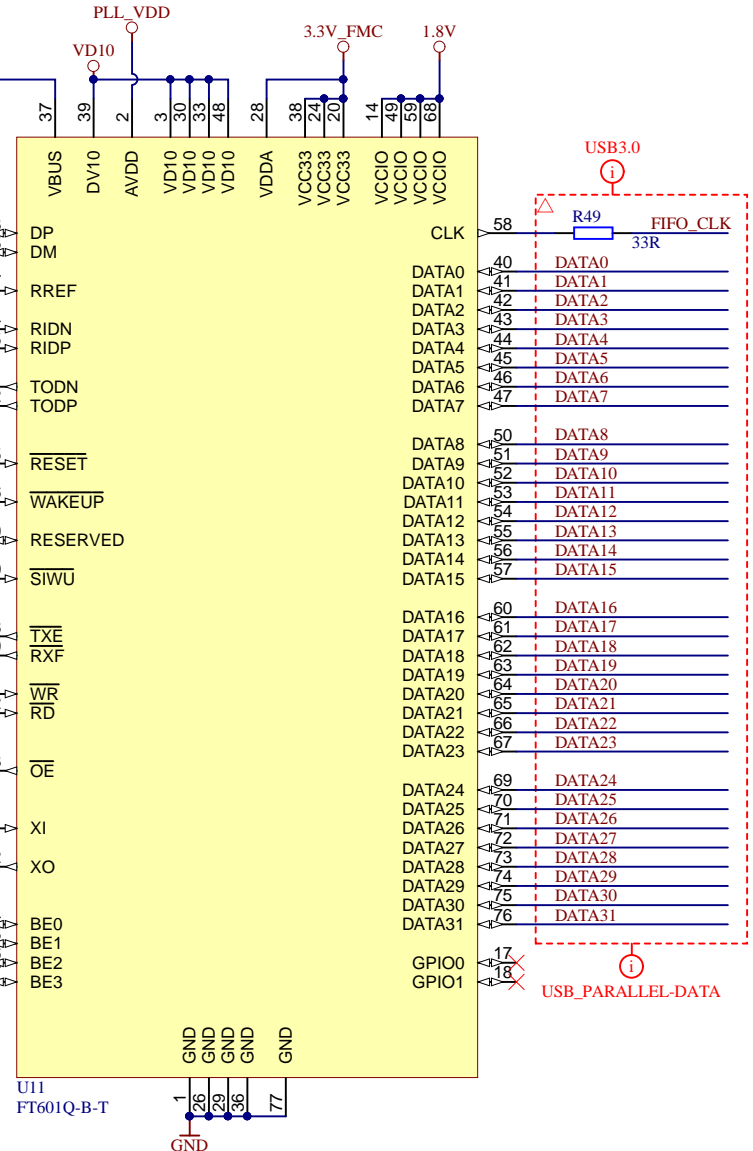
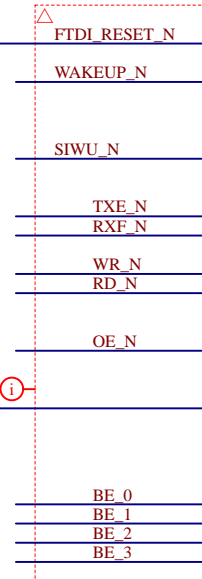
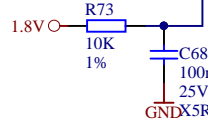
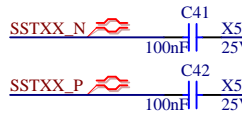
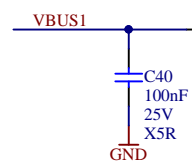
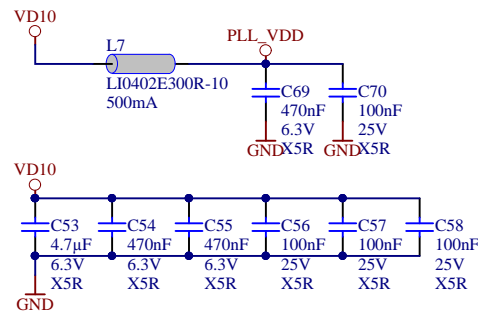
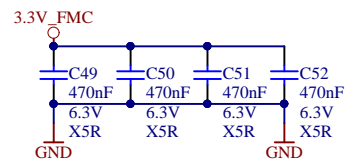
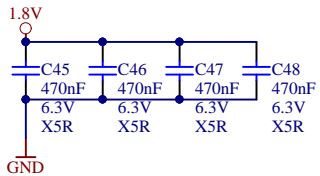
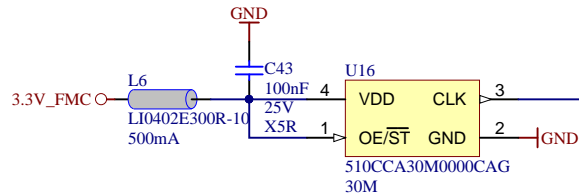
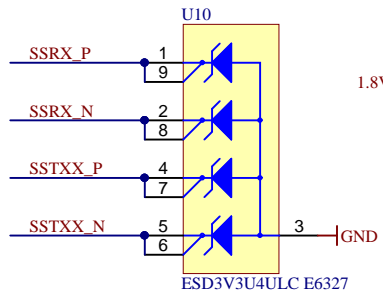
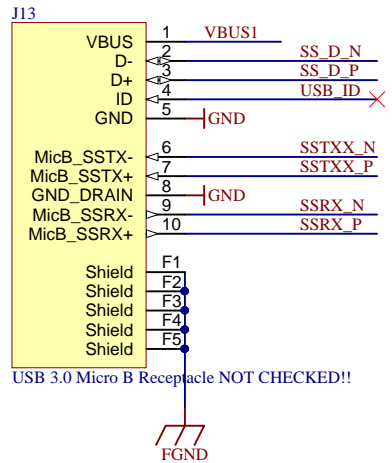
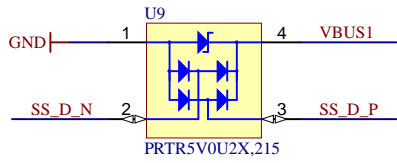



Title: <b>TEIB0006</b>		
A4	Number: <b>TEIB0006</b> <b>TEIB0006</b>	Rev. <b>01</b>
Date: <b>2018-09-13</b>	Copyright: <b>Trenz Electronic GmbH</b>	Page <b>8</b> of <b>12</b>
Filename: <b>FMC.SchDoc</b>		

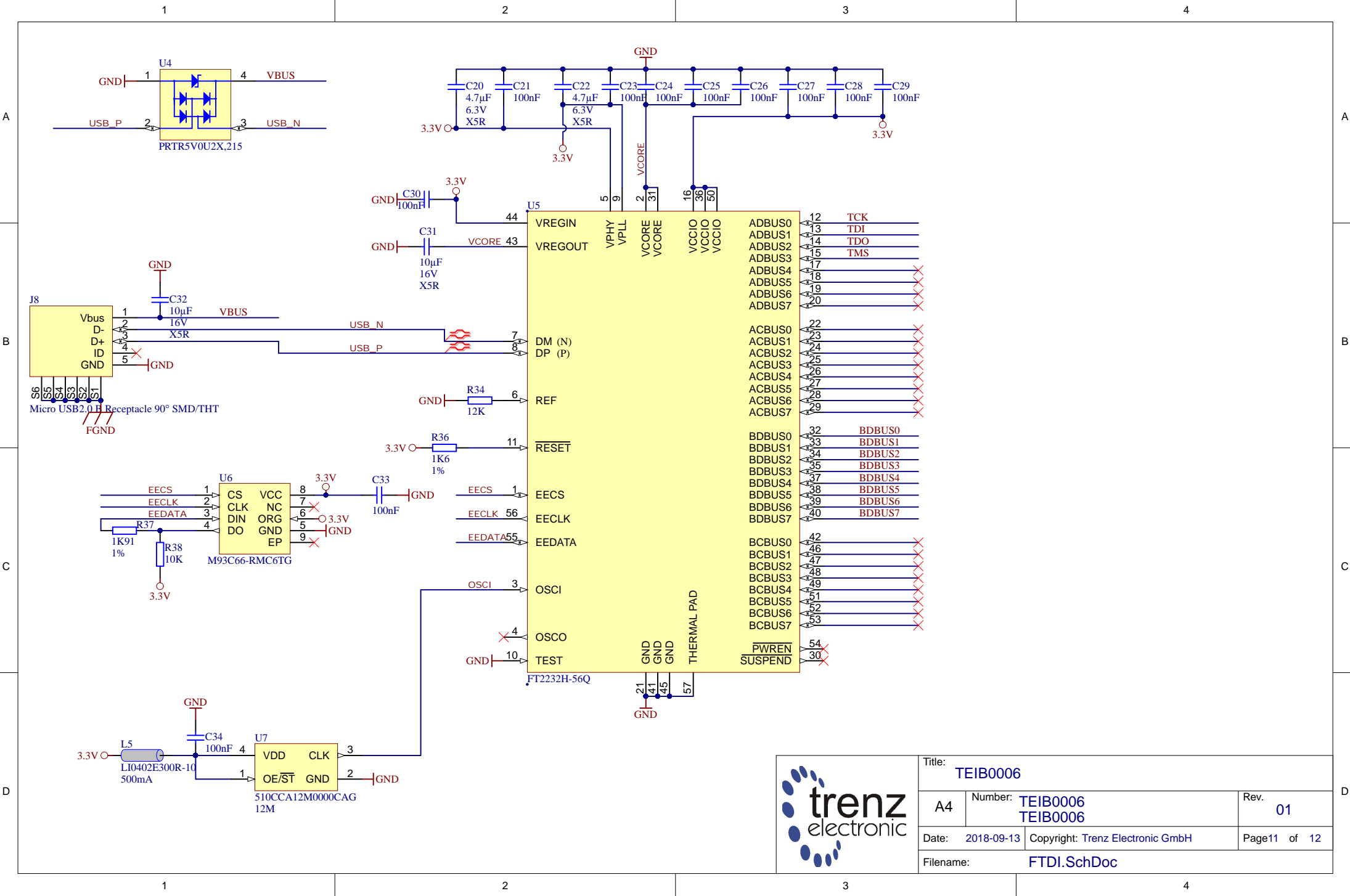





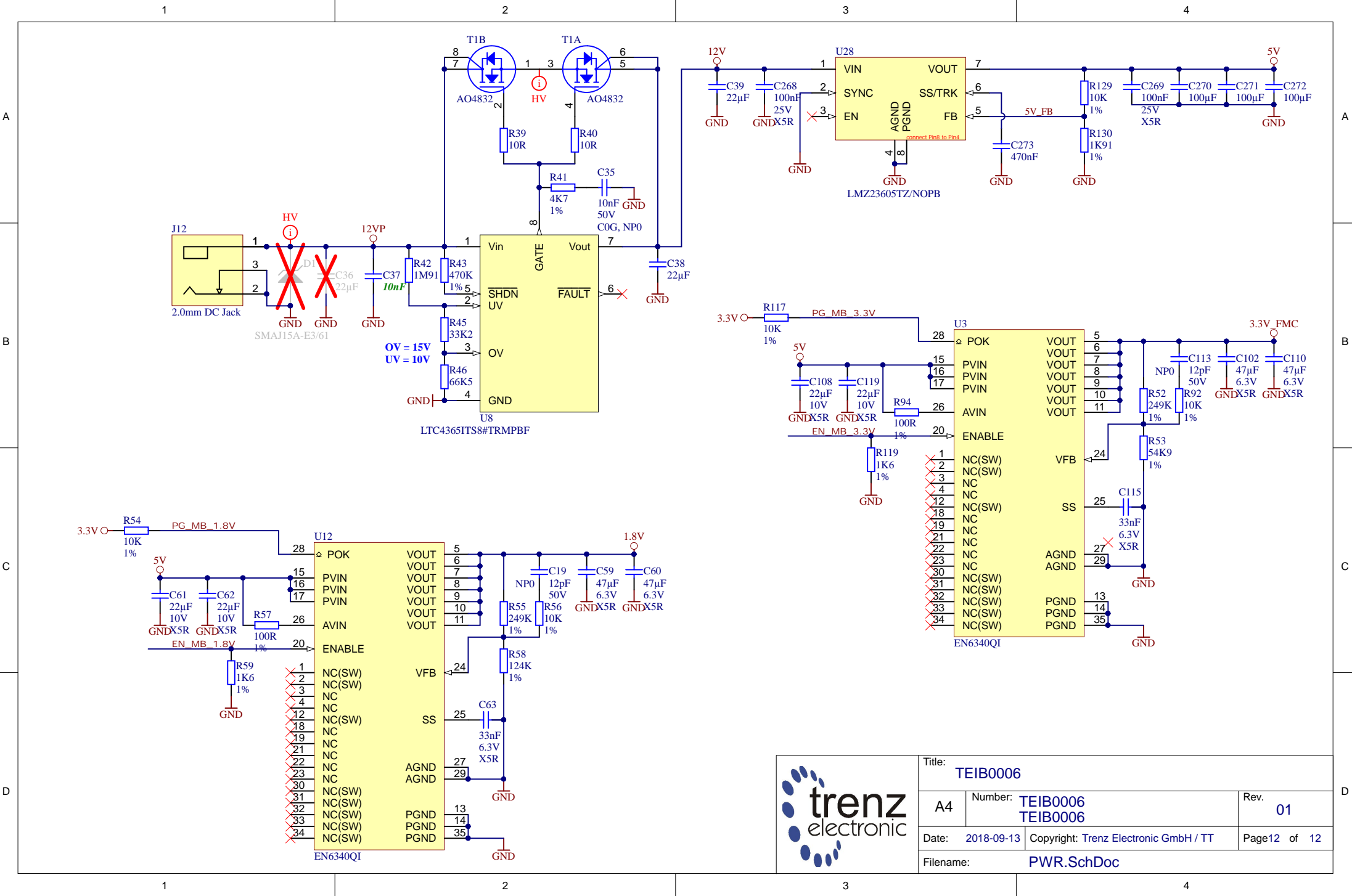
	Title: TEIB0006		
	A4	Number: TEIB0006 TEIB0006	Rev. 01
	Date: 2018-09-13	Copyright: Trenz Electronic GmbH	Page 9 of 12
	Filename: FMC_MISC.SchDoc		





Title: TEIB0006		
A4	Number: TEIB0006 TEIB0006	Rev. 01
Date: 2018-09-13	Copyright: Trenz Electronic GmbH	Page 10 of 12
Filename: USB30.SchDoc		



		Title: TEIB0006	
		A4	Number: TEIB0006 TEIB0006
Date: 2018-09-13		Copyright: Trenz Electronic GmbH	
Page 11 of 12		Page 11 of 12	
Filename: FTDI.SchDoc		Filename: FTDI.SchDoc	



			Title: TEIB0006	
			A4	Number: TEIB0006 TEIB0006
Date: 2018-09-13		Copyright: Trenz Electronic GmbH / TT		Page 12 of 12
Filename: PWR.SchDoc				