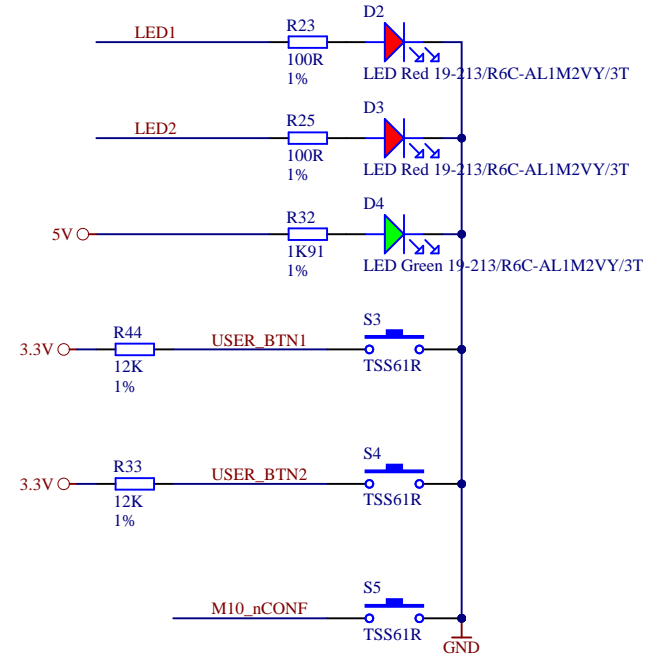
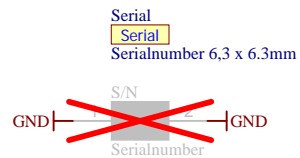


LOGO

TE Logo PRINT Layer

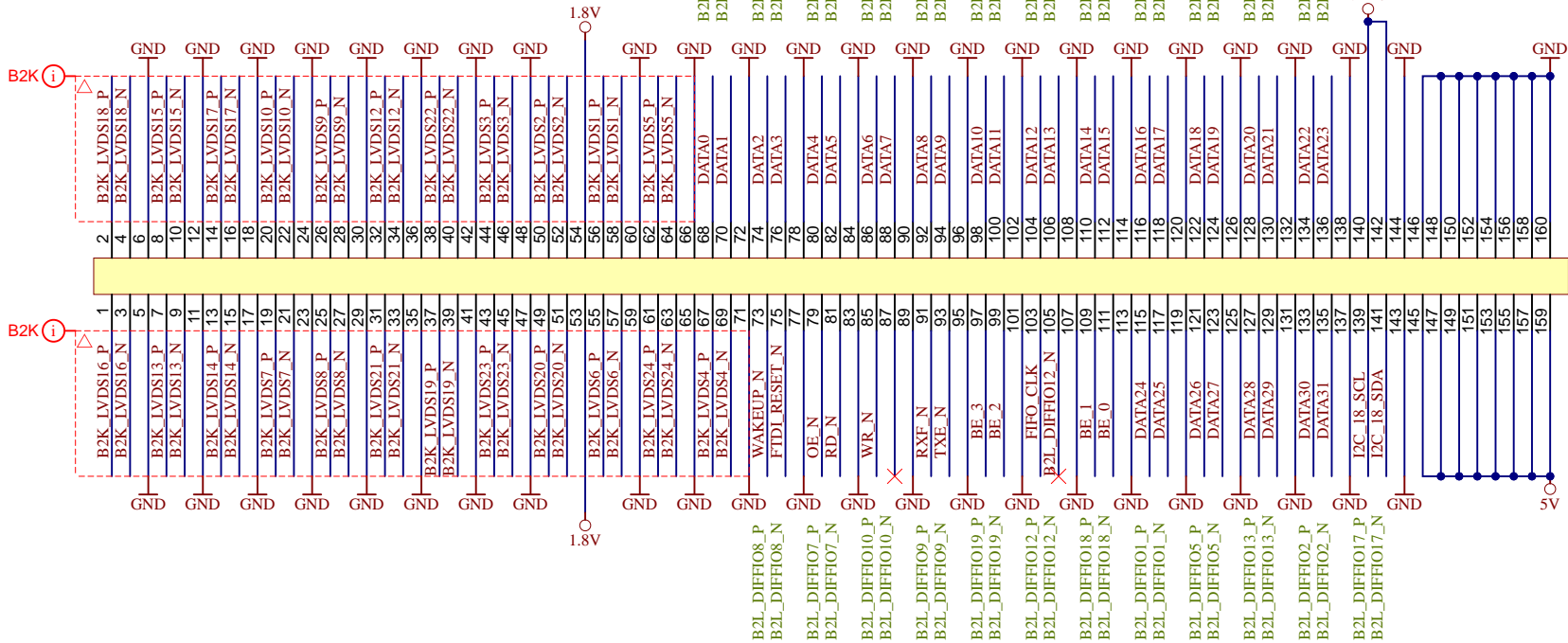
LOGO PRINT



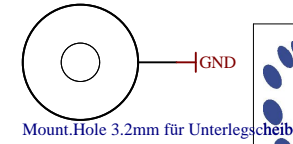
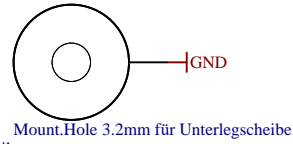
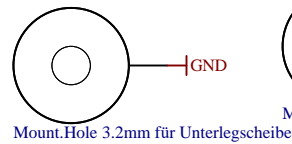
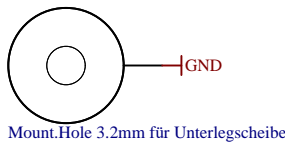
Assembly variant	Default
Created by	VT
Modified by	VT
Modified at	2019-10-29
SVN Revision	12112

Title: TEIB0006		
A4	Number: TEIB0006 Default	Rev. 02
Date: 2019-10-22	Copyright: Trenz Electronic GmbH	Page1 of 12
Filename: TEIB006.SchDoc		

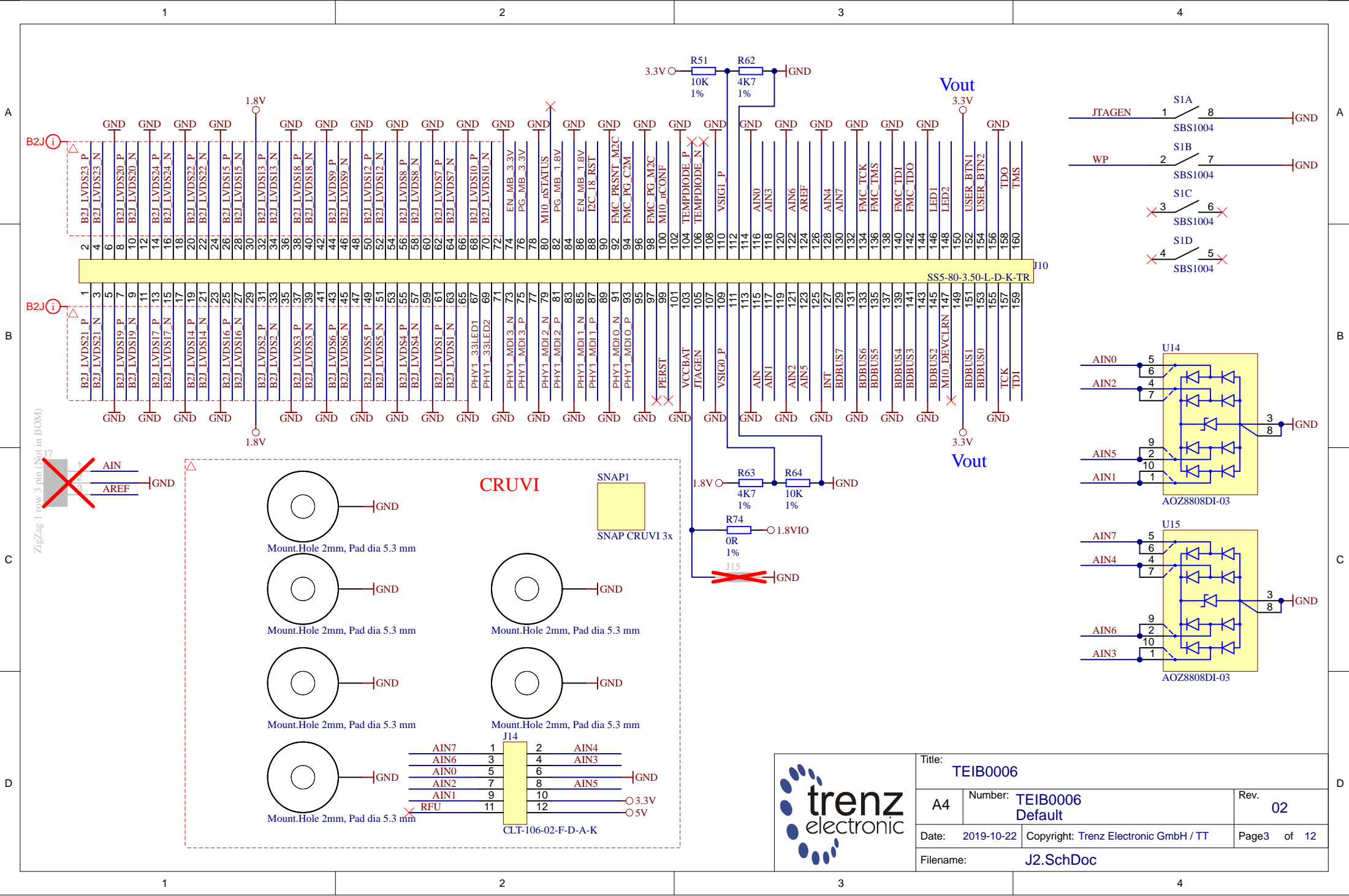




J9
SS5-80-3.50-L-D-K-TR



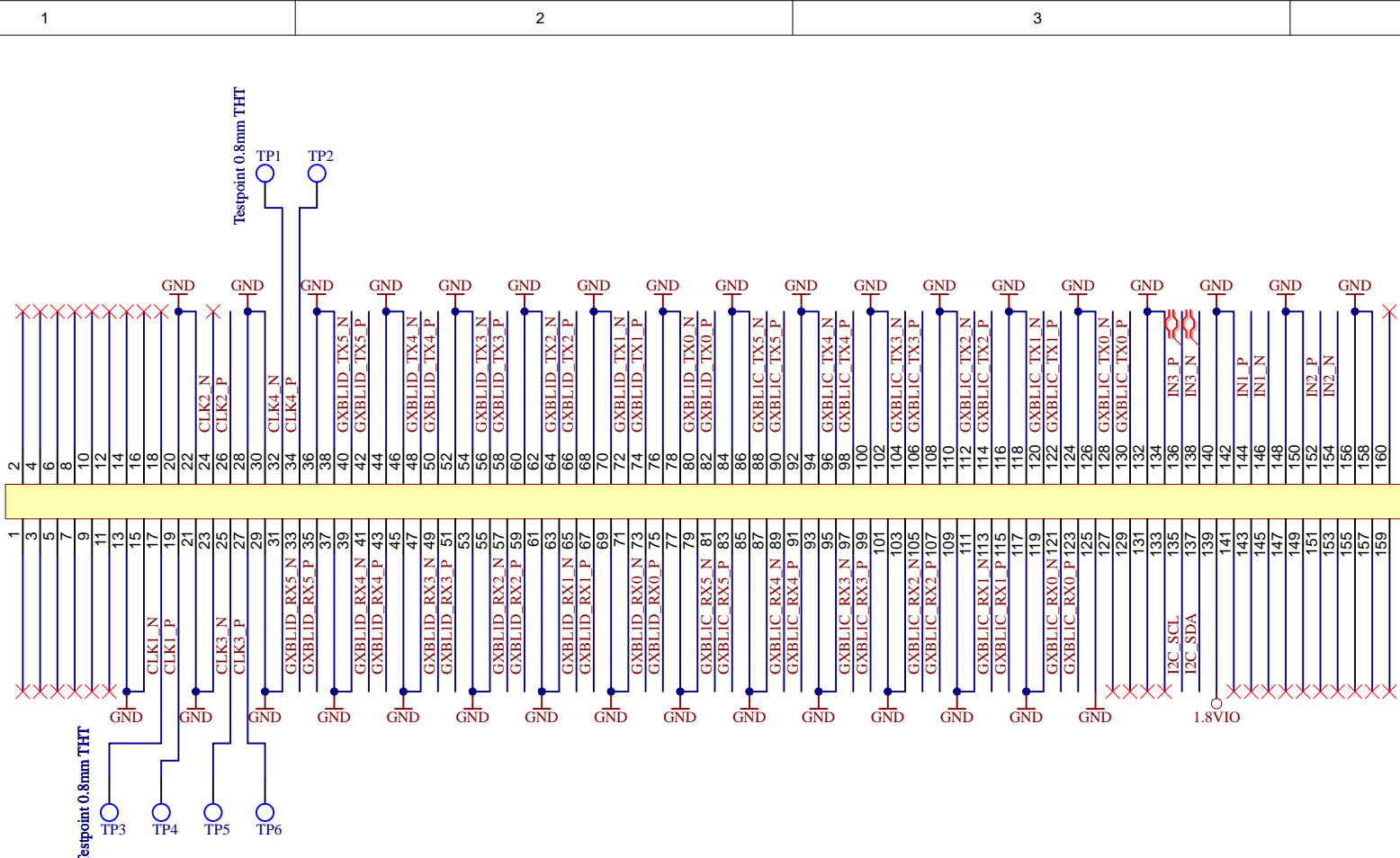
Title: TEIB0006		
A4	Number: TEIB0006 Default	Rev. 02
Date: 2019-10-22	Copyright: Trenz Electronic GmbH / TT	Page 2 of 12
Filename: J1.SchDoc		



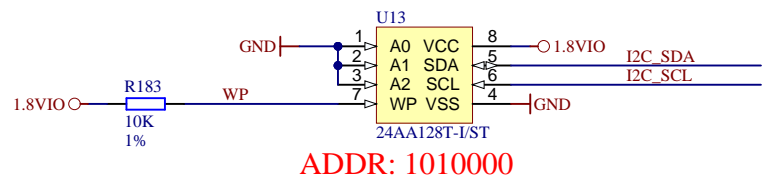
ZigZag 1 row, 3 pin (Not in BOM)



Title: TEIB0006		
A4	Number: TEIB0006 Default	Rev. 02
Date: 2019-10-22	Copyright: Trenz Electronic GmbH / TT	Page 3 of 12
Filename: J2.SchDoc		

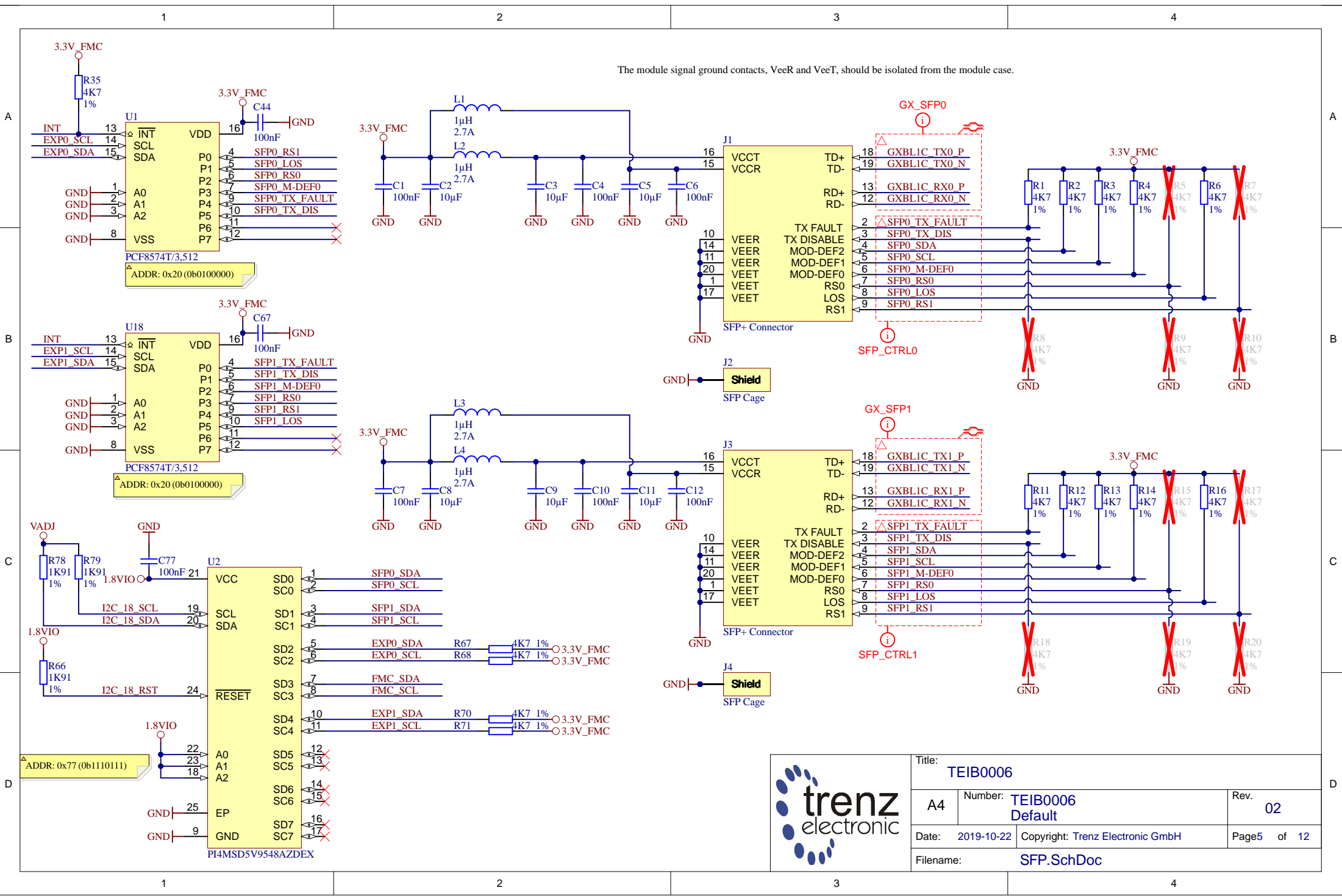


J11
SS5-80-3.50-L-D-K-TR



Title: TEIB0006		
A4	Number: TEIB0006 Default	Rev. 02
Date: 2019-10-22	Copyright: Trenz Electronic GmbH / TT	Page 4 of 12
Filename: J3.SchDoc		

The module signal ground contacts, VeeR and VeeT, should be isolated from the module case.



Title: TEIB0006		
A4	Number: TEIB0006 Default	Rev. 02
Date: 2019-10-22	Copyright: Trenz Electronic GmbH	Page5 of 12
Filename: SFP.SchDoc		

1

2

3

4

A

A

B

B

C

C

D

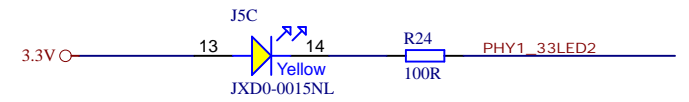
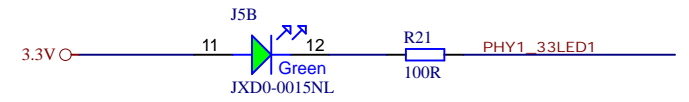
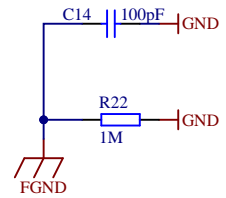
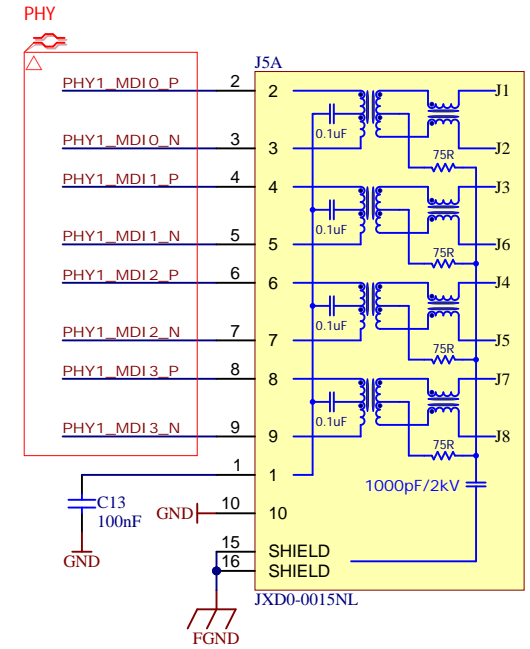
D


1

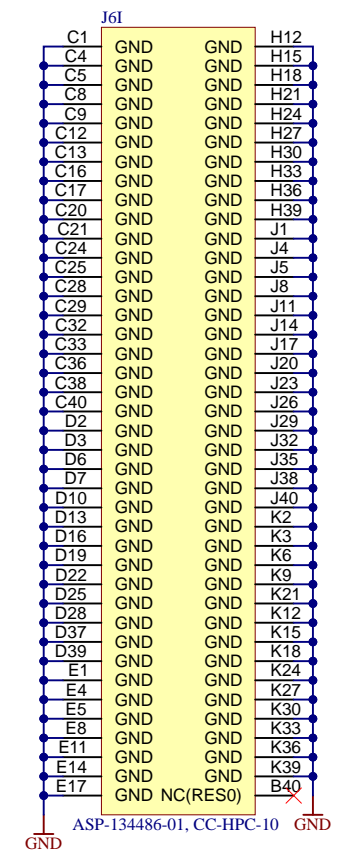
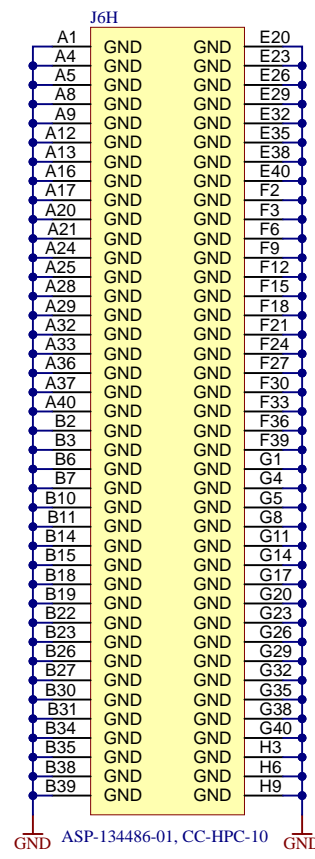
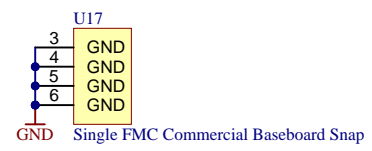
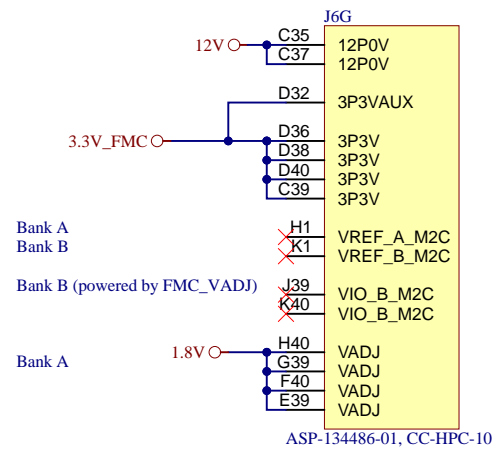
2

3

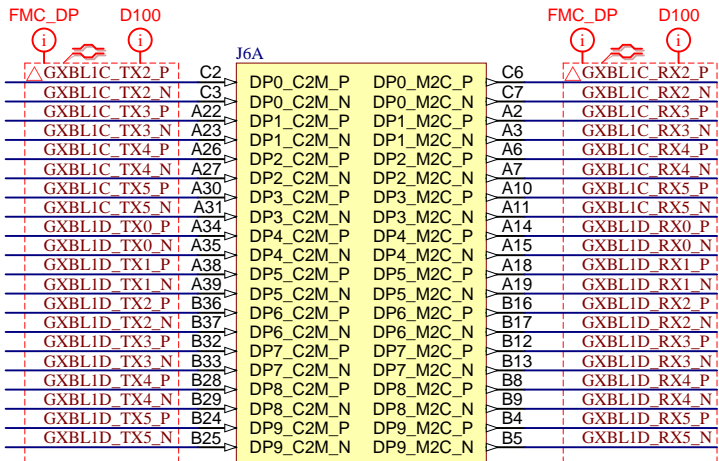
4



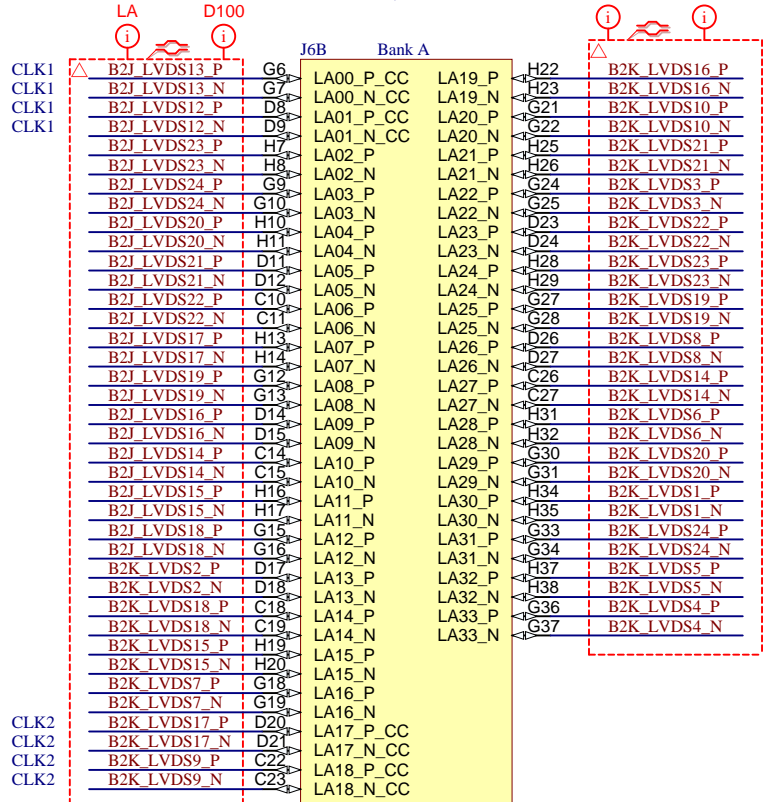
			Title: TEIB0006	
			A4	Number: TEIB0006 Default
Date: 2019-10-22		Copyright: Trenz Electronic GmbH		Page 6 of 12
Filename: ETH.SchDoc				



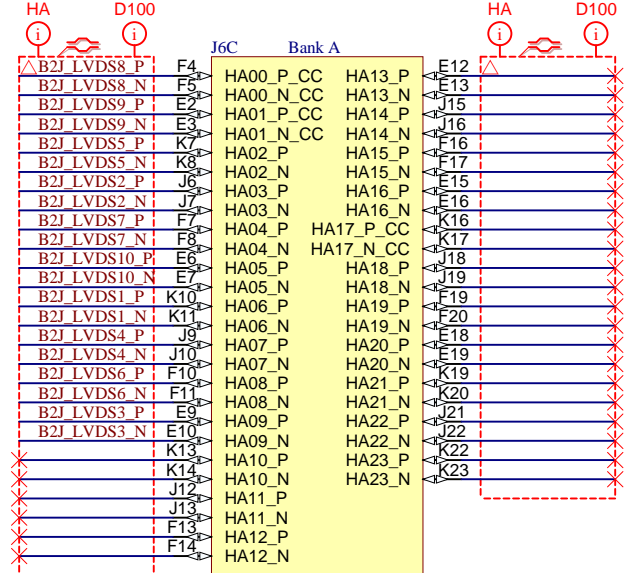
	Title: TEIB0006		
	A4	Number: TEIB0006 Default	Rev. 02
	Date: 2019-10-22	Copyright: Trenz Electronic GmbH	Page 7 of 12
	Filename: FMC PWR.SchDoc		



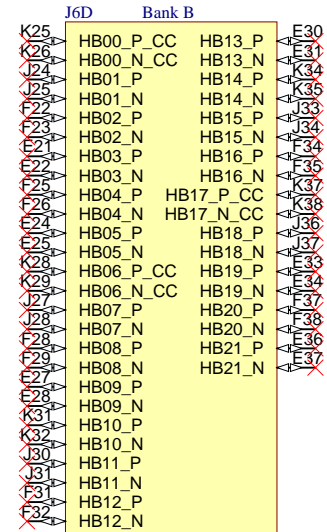
ASP-134486-01, CC-HPC-10



ASP-134486-01, CC-HPC-10



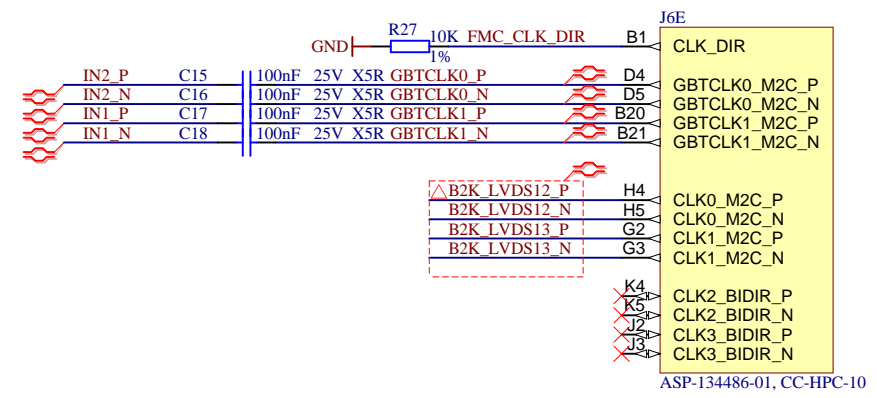
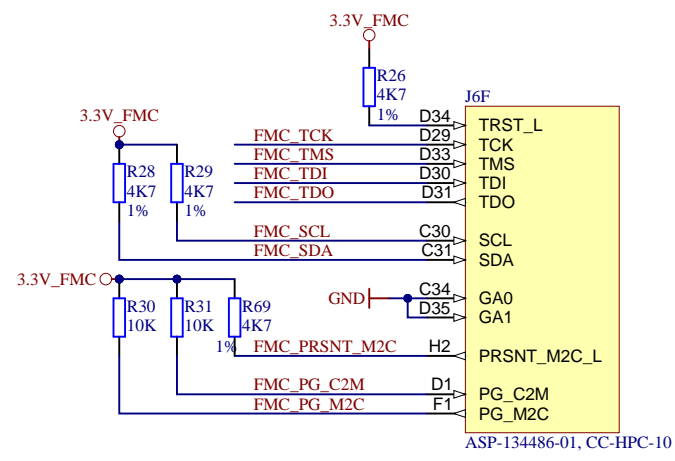
ASP-134486-01, CC-HPC-10



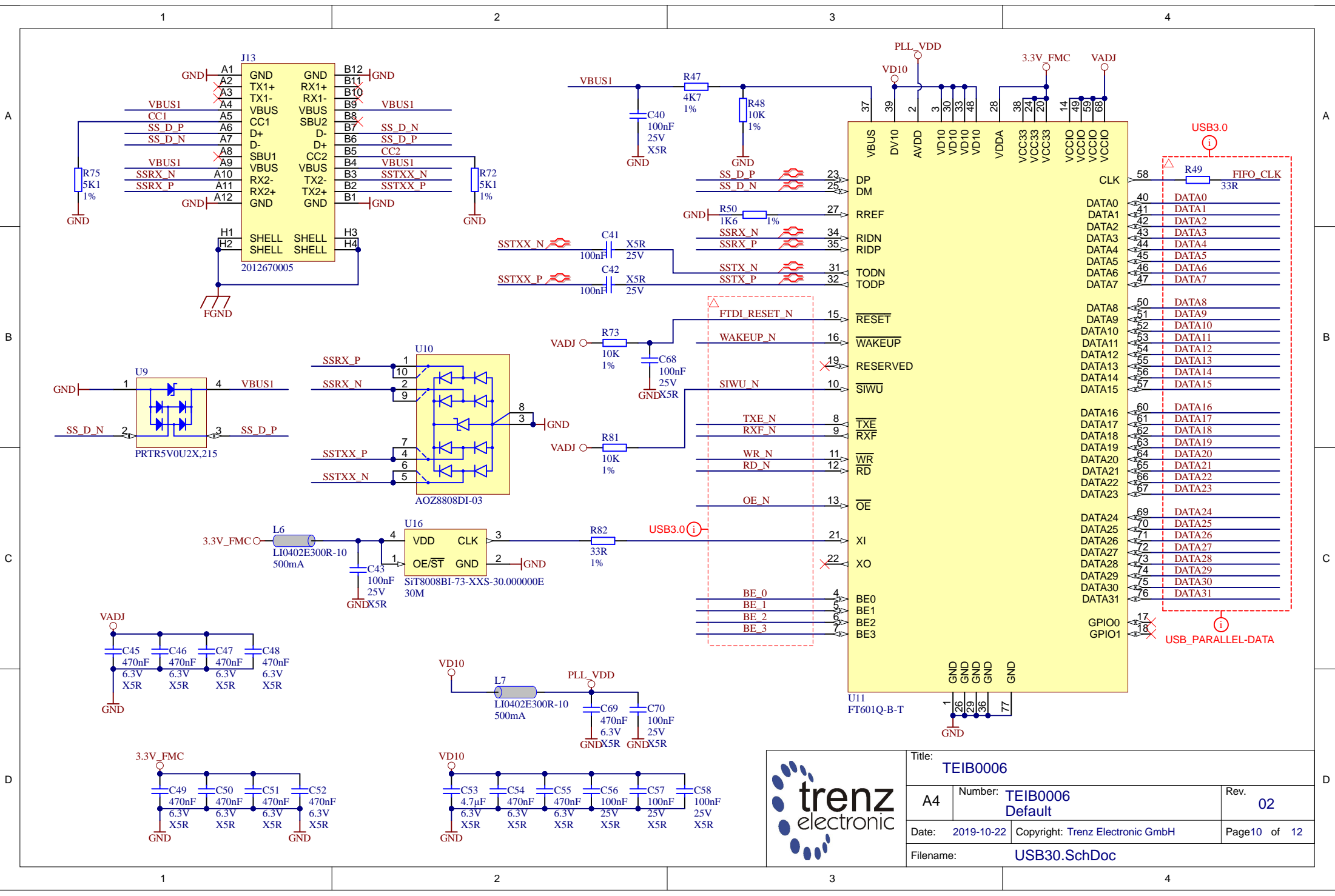
ASP-134486-01, CC-HPC-10



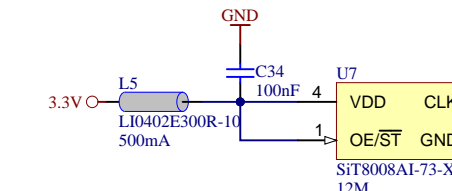
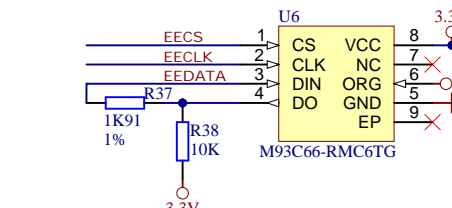
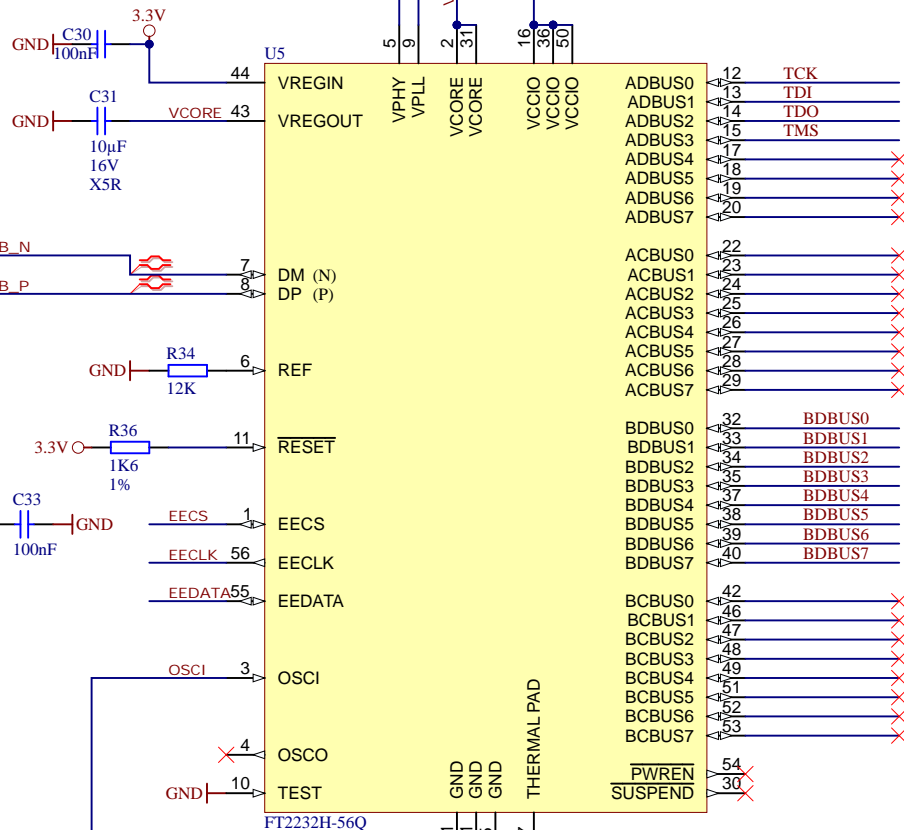
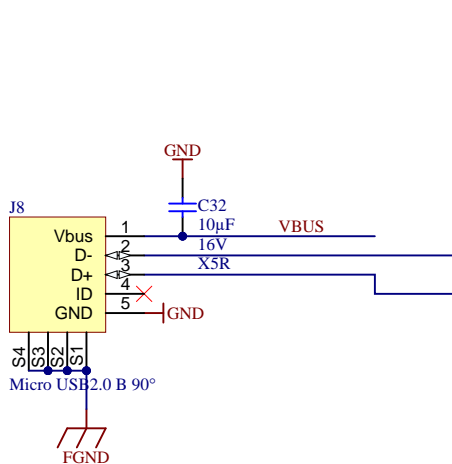
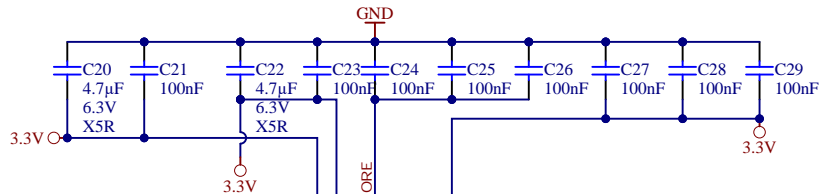
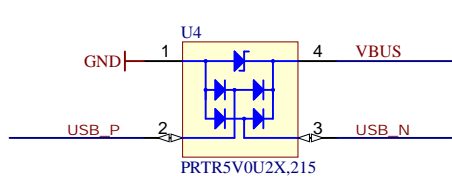

Title: TEIB0006		
A4	Number: TEIB0006 Default	Rev. 02
Date: 2019-10-22	Copyright: Trenz Electronic GmbH	Page 8 of 12
Filename: FMC.SchDoc		



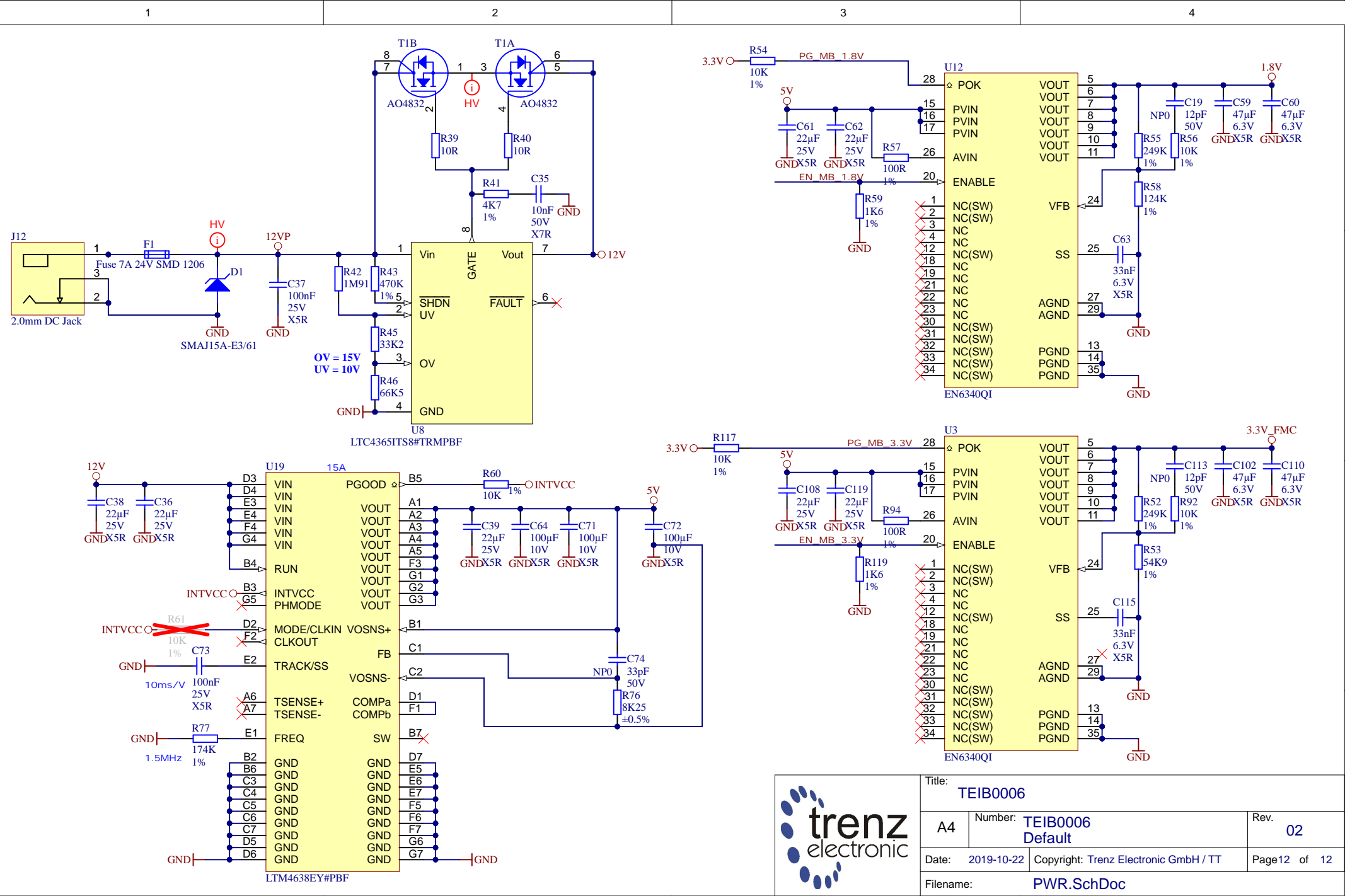
	Title: TEIB0006	
	A4	Number: TEIB0006 Default
	Date: 2019-10-22	Copyright: Trenz Electronic GmbH
	Filename: FMC_MISC.SchDoc	
	Rev. 02	Page 9 of 12



Title: TEIB0006		
A4	Number: TEIB0006 Default	Rev. 02
Date: 2019-10-22	Copyright: Trenz Electronic GmbH	Page 10 of 12
Filename: USB30.SchDoc		

Title: TEIB0006		
A4	Number: TEIB0006 Default	Rev. 02
Date: 2019-10-22	Copyright: Trenz Electronic GmbH	Page 11 of 12
Filename: FTDI.SchDoc		



Title: TEIB0006		
A4	Number: TEIB0006 Default	Rev. 02
Date: 2019-10-22	Copyright: Trenz Electronic GmbH / TT	Page 12 of 12
Filename: PWR.SchDoc		

1

2

3

4

VT: Initial Rev (07.2018)

Changes from REV01 to REV02:

- 1) VT: remove R60,R61 (pull-up for DEVCLR,NSTATUS -> set on micromodule)
- 2) VT: remove CLKUSR from J2, remove J15
- 3) VT: changed 1.8V -> VADJ (connector J2 pins 140,142; U11; R78;R79)
- 4) VT: changed 1.8V -> 1.8VIO (U2)
- 5) VT: removed Battery holder, added optional 2-pin header for Battery
- 6) VT: removed pin headers J7/J14, added optional CRUVI (J14)
- 7) VT:changed DCDC (LMZ23605TZ/NOPB -> LTM4638EY#PBF)
- 8) VT: full upd LIB

A

A

B


B

C

C

D

D

		Title: TEI0006 - Revision changes	
		A4	Number: TEI0006 Default Rev. 02
Date: 2019-10-22	Copyright: Trenz Electronic GmbH	Page 22 of 22	
Filename: Revision_Changes.SchDoc			

1

2

3

4