

1

2

3

4

A

A

B

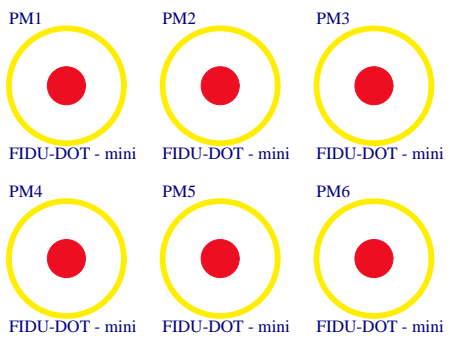
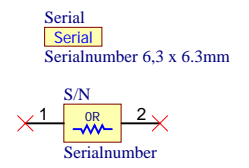
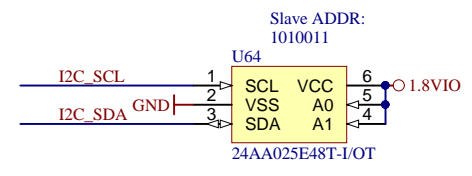
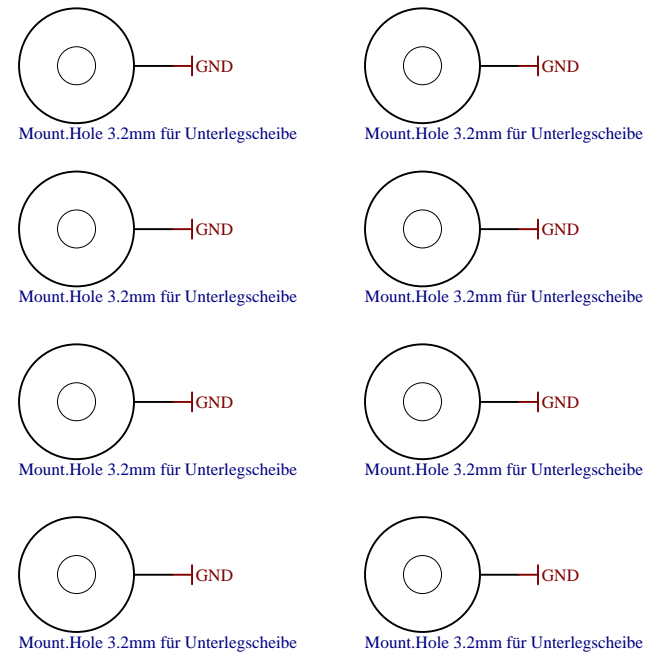
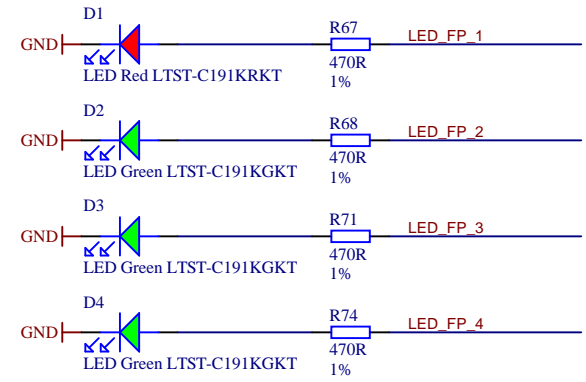
B


C

C

D

D



			Title: TEI0006	
			A4	Number: TEI0006 220-5I
Date: 2018-07-27		Copyright: Trenz Electronic GmbH / TT		Page1 of 21
Filename: TEI0006.SchDoc				

1

2

3

4

1

2

3

4

A

A

B

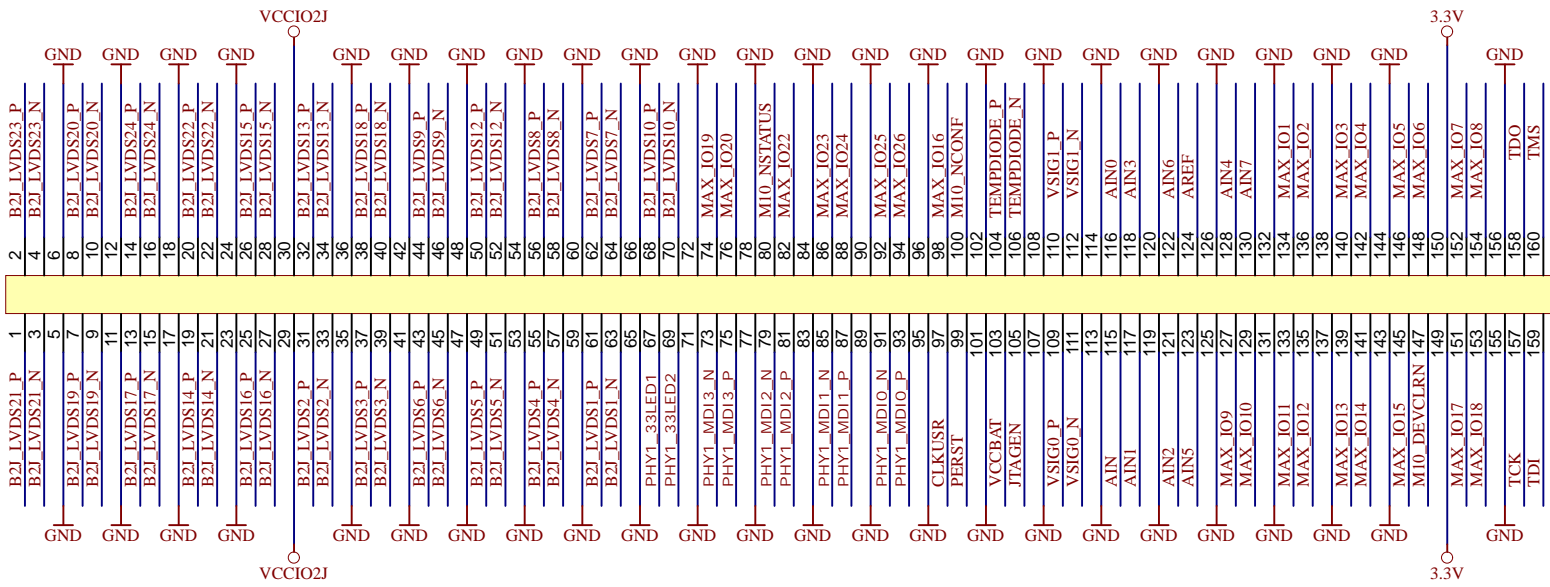
B

C

C

D

D



J2
ST5-80-1.50-L-D-P-TR



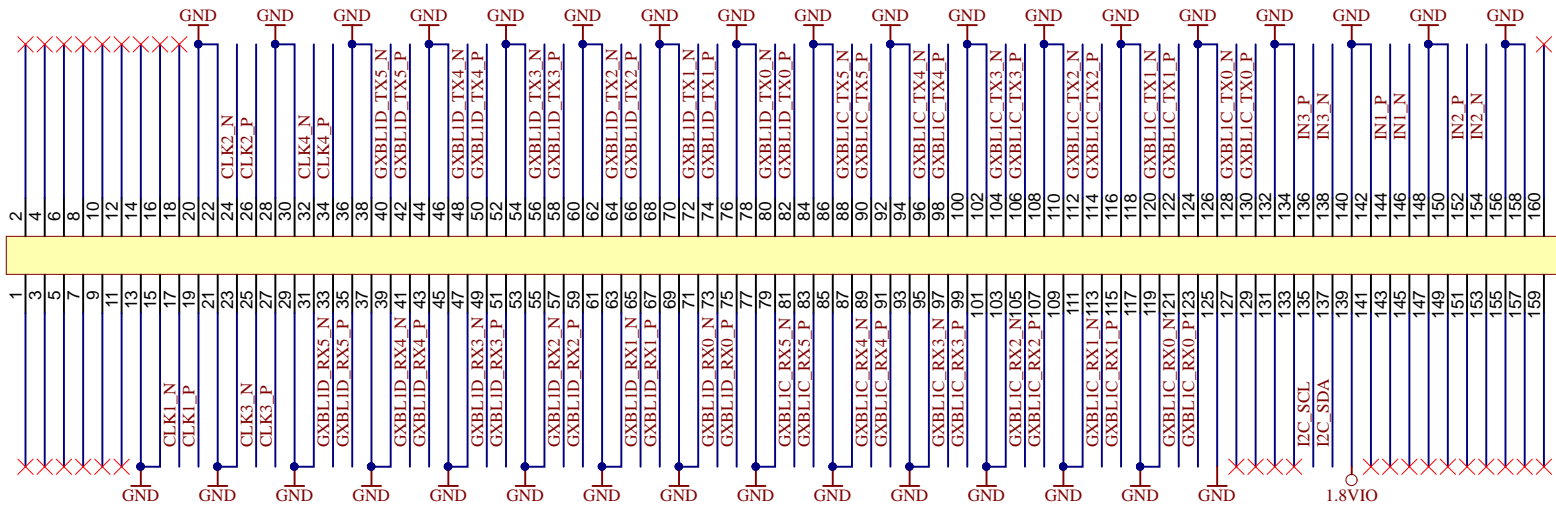
Title: TEI0006		
A4	Number: TEI0006 220-51	Rev. 01
Date: 2018-07-27	Copyright: Trenz Electronic GmbH / TT	Page 3 of 21
Filename: J2.SchDoc		

1

2

3

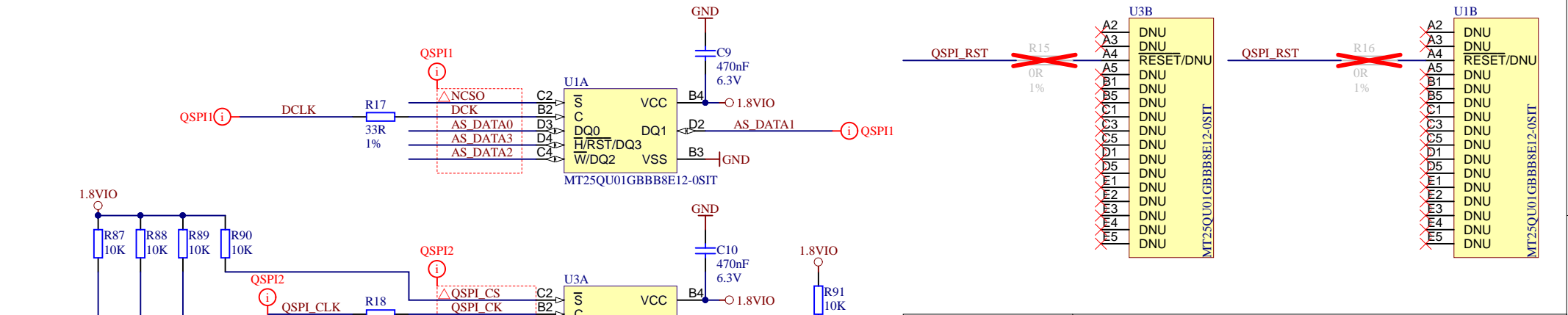
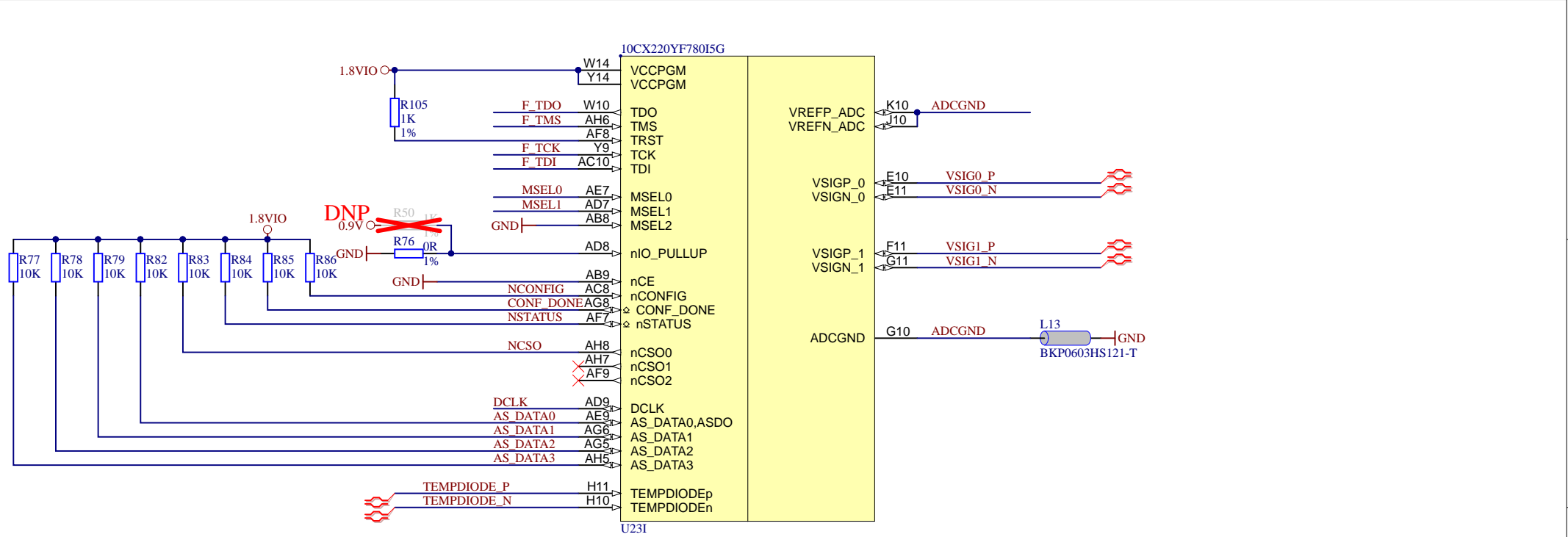
4



J3
ST5-80-1.50-L-D-P-TR



Title: TEI0006		
A4	Number: TEI0006 220-51	Rev. 01
Date: 2018-07-27	Copyright: Trenz Electronic GmbH / TT	Page 4 of 21
Filename: J3.SchDoc		

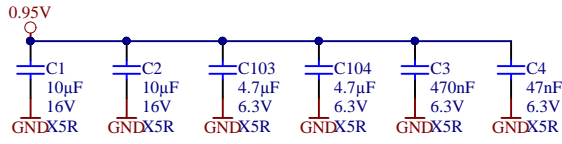


trenz electronic

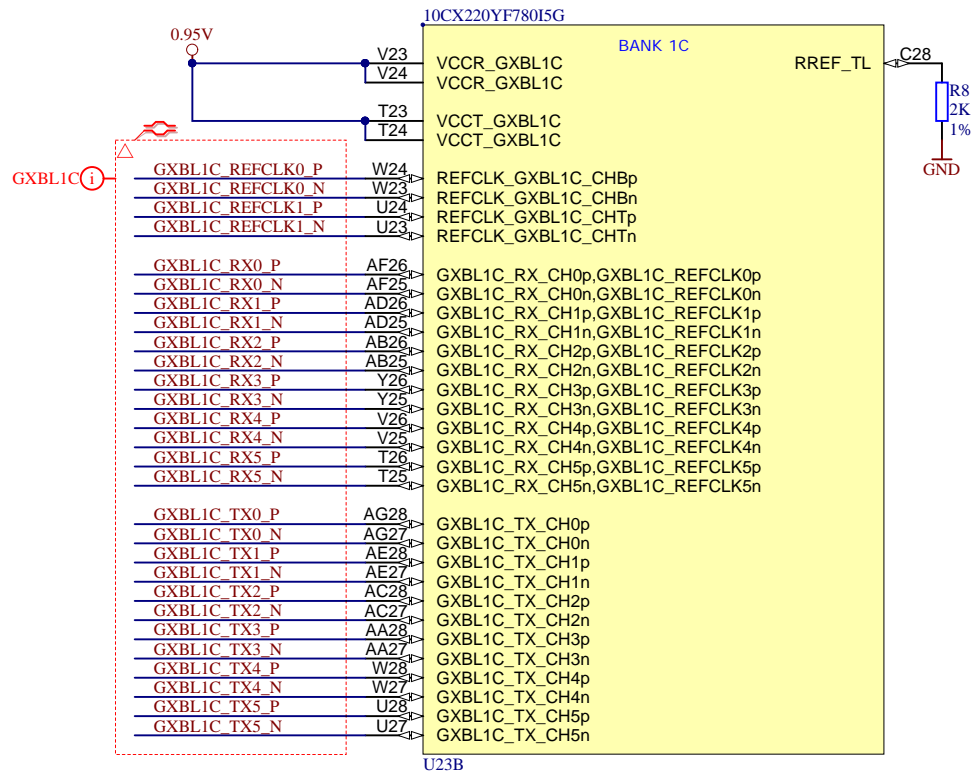
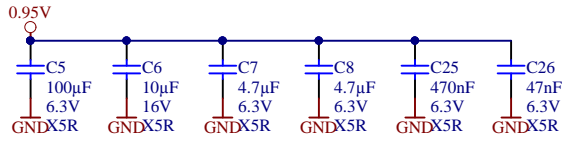
Title: **TEI0006**

A4	Number: TEI0006 220-5I	Rev. 01
Date: 2018-07-27	Copyright: Trenz Electronic GmbH	Page 5 of 21
Filename: C10GX_CFG.SchDoc		

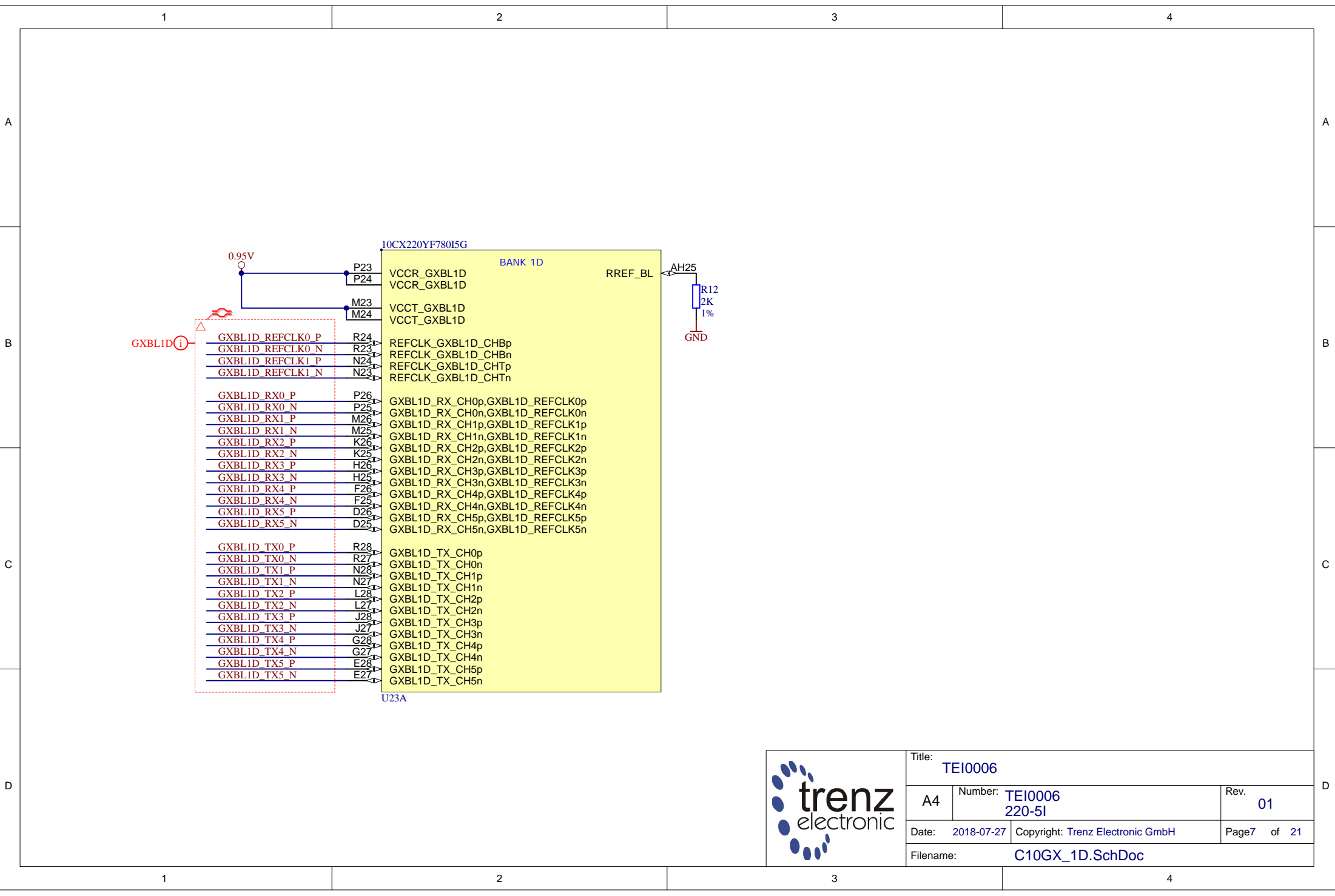
Placed at VCCT_GXB pins




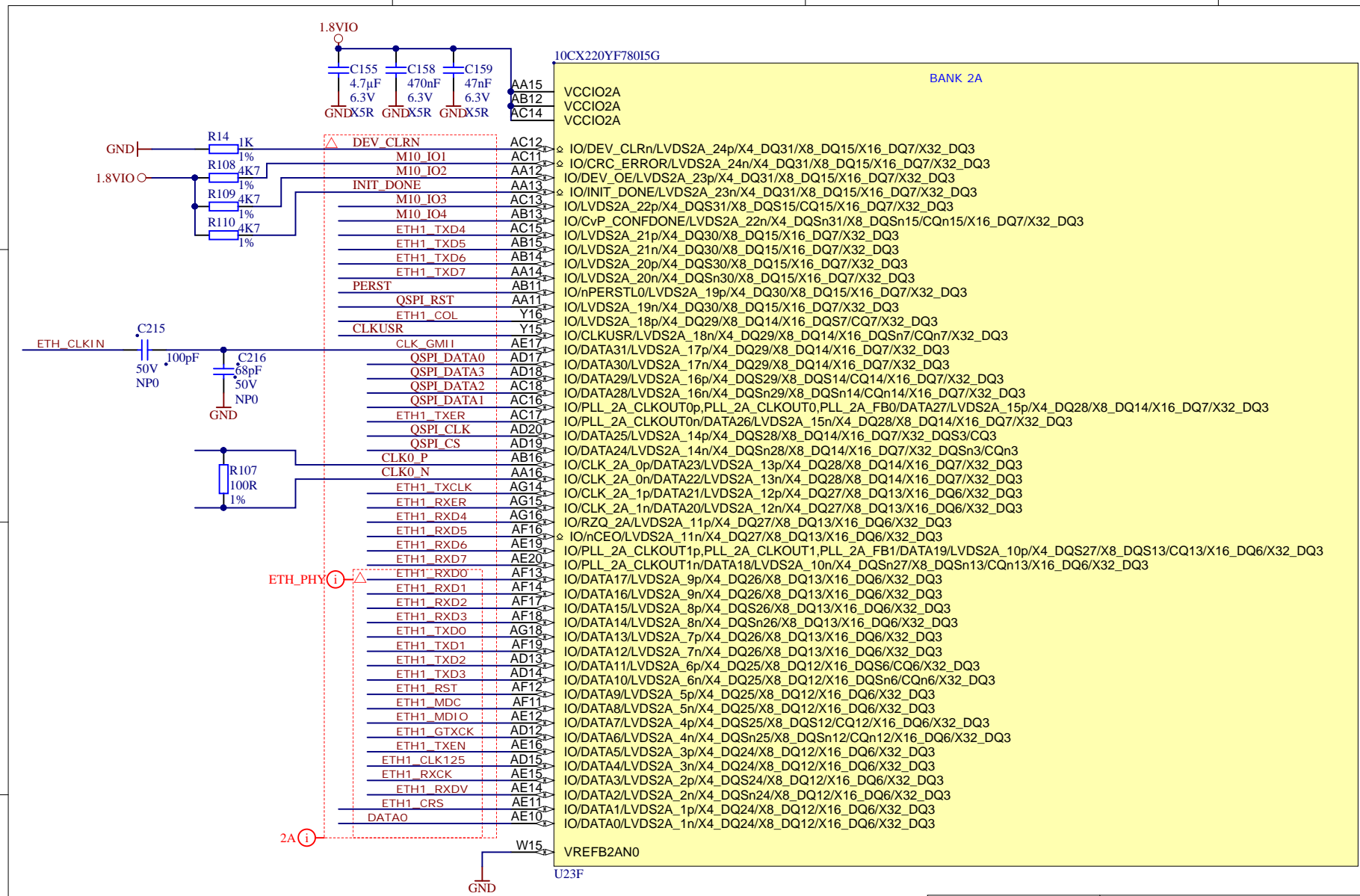
Placed at VCCR_GXB pins



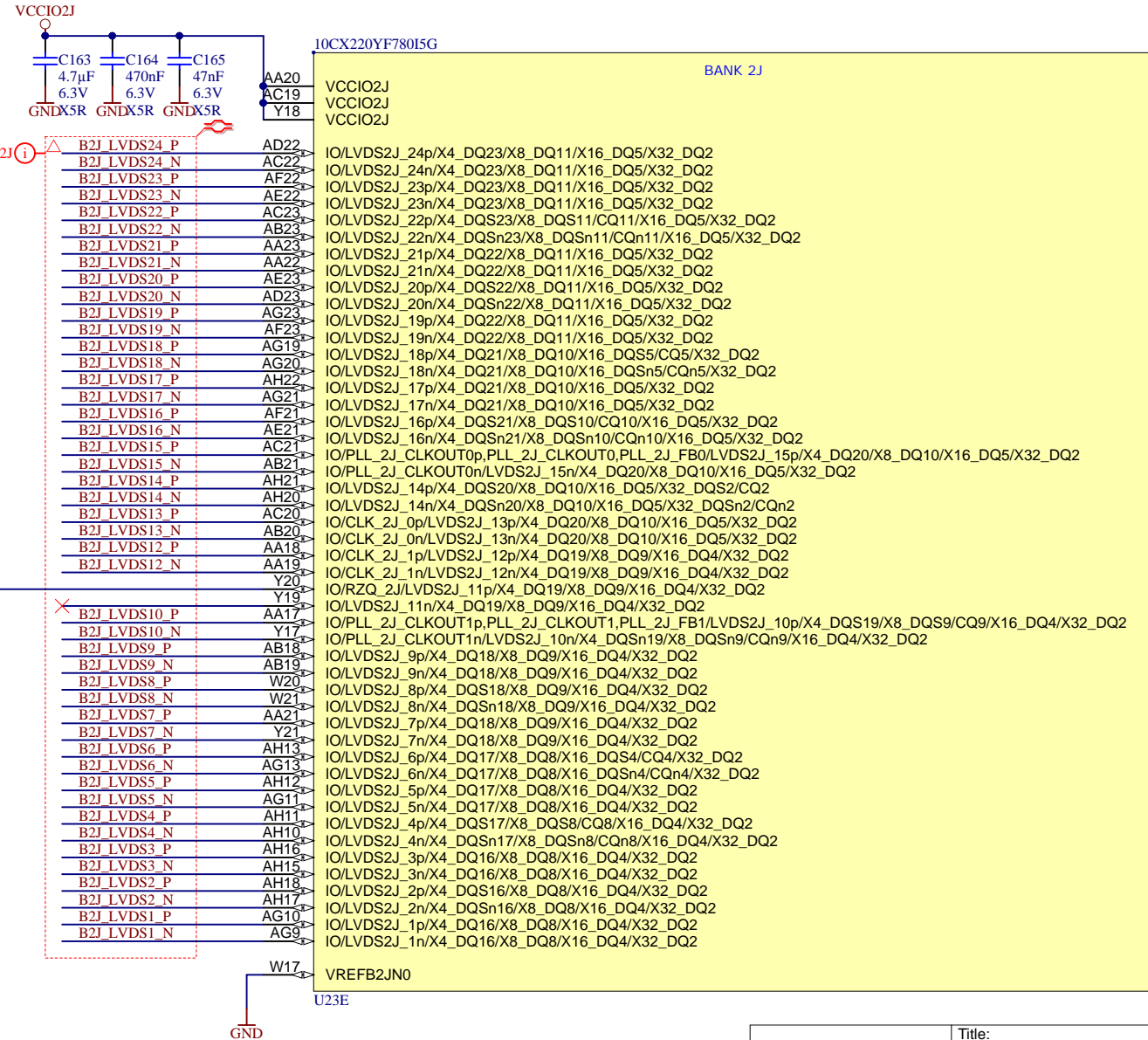
Title: TEI0006		
A4	Number: TEI0006 220-5I	Rev. 01
Date: 2018-07-27	Copyright: Trenz Electronic GmbH	Page6 of 21
Filename: C10GX_1C.SchDoc		



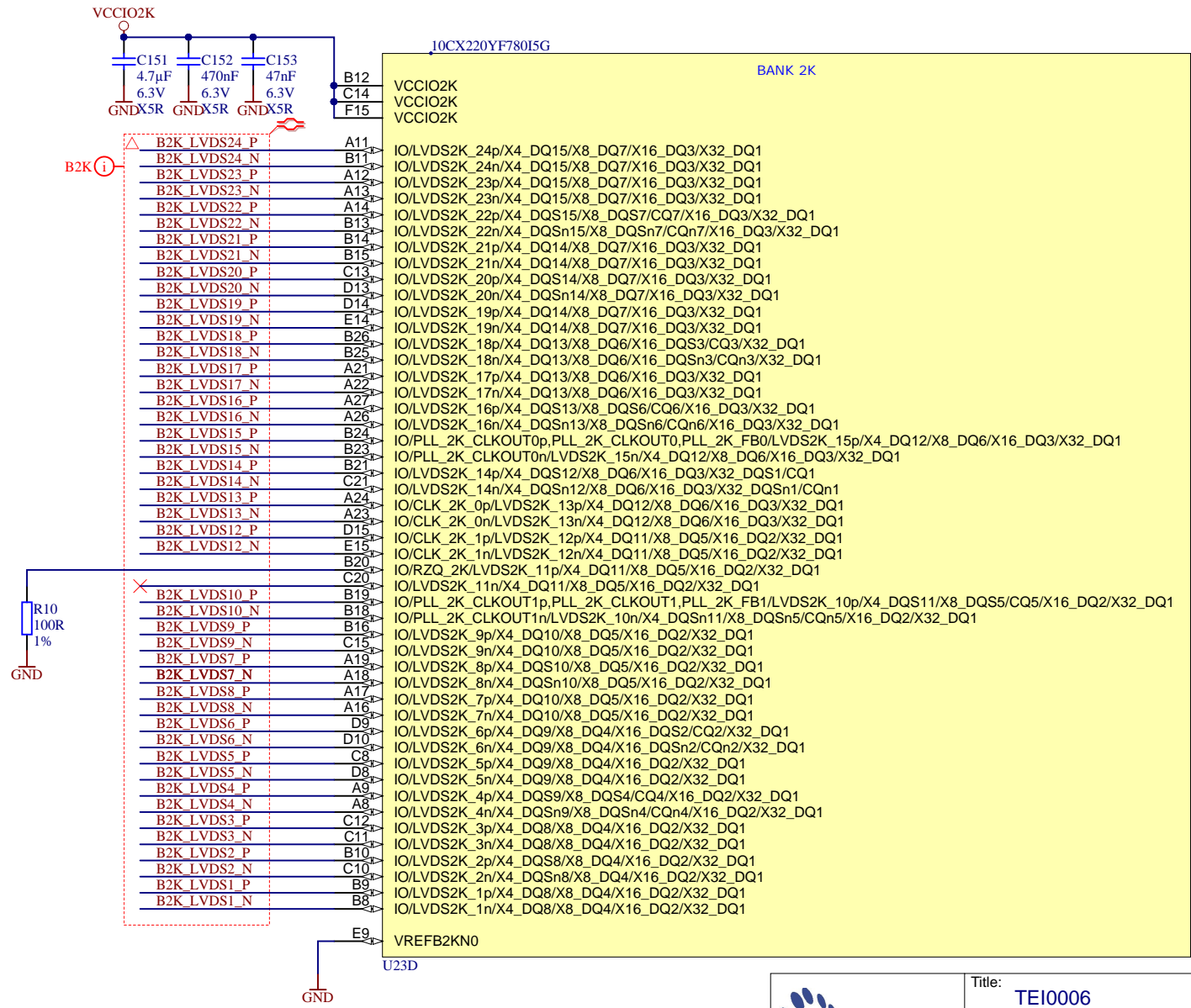
	Title: TEI0006		
	A4	Number: TEI0006 220-5I	Rev. 01
	Date: 2018-07-27	Copyright: Trenz Electronic GmbH	Page 7 of 21
	Filename: C10GX_1D.SchDoc		



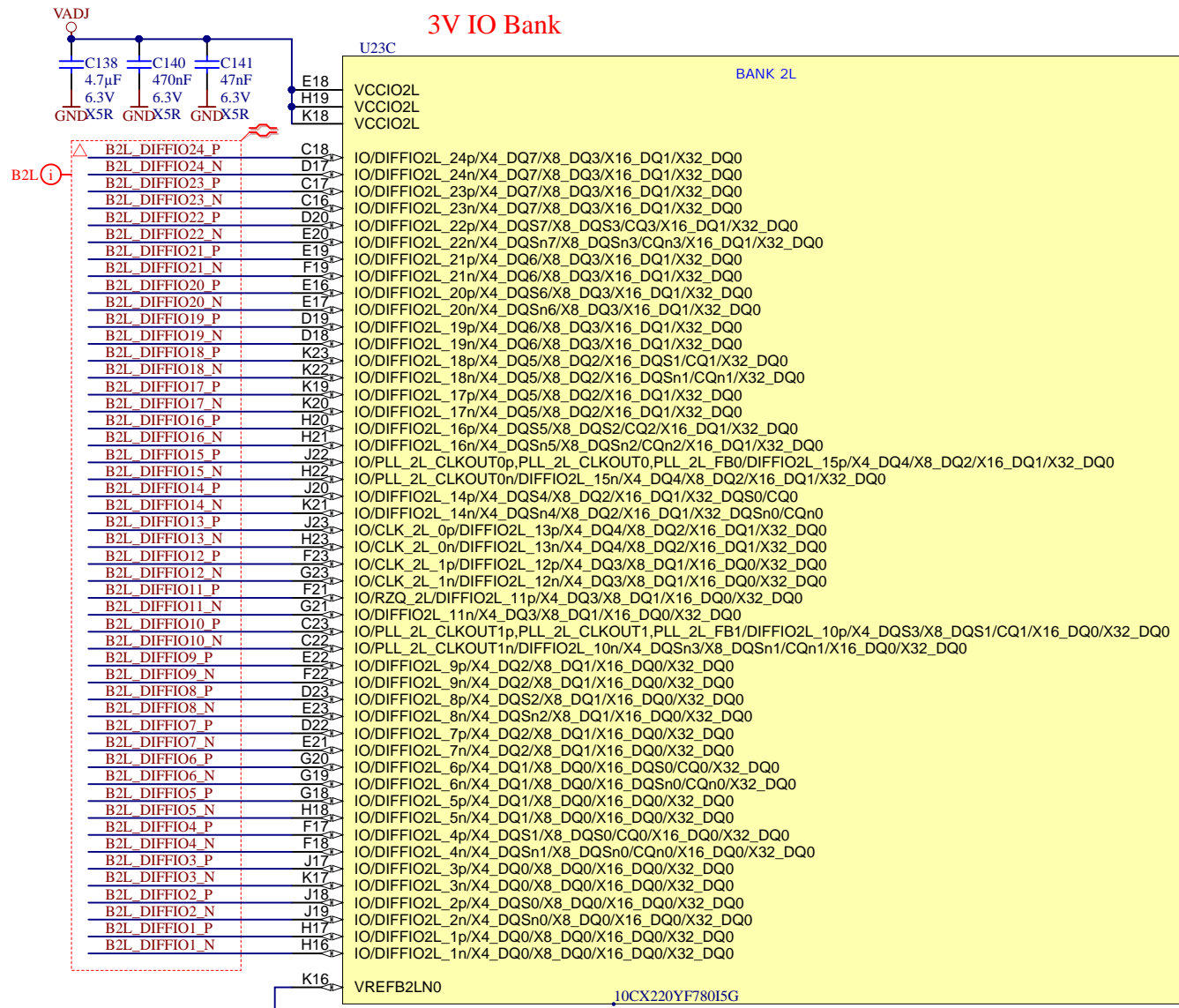
			Title: TEI0006	
			A4	Number: TEI0006 220-51
Date: 2018-07-27		Copyright: Trenz Electronic GmbH		Page 8 of 21
Filename: C10GX_2A.SchDoc				



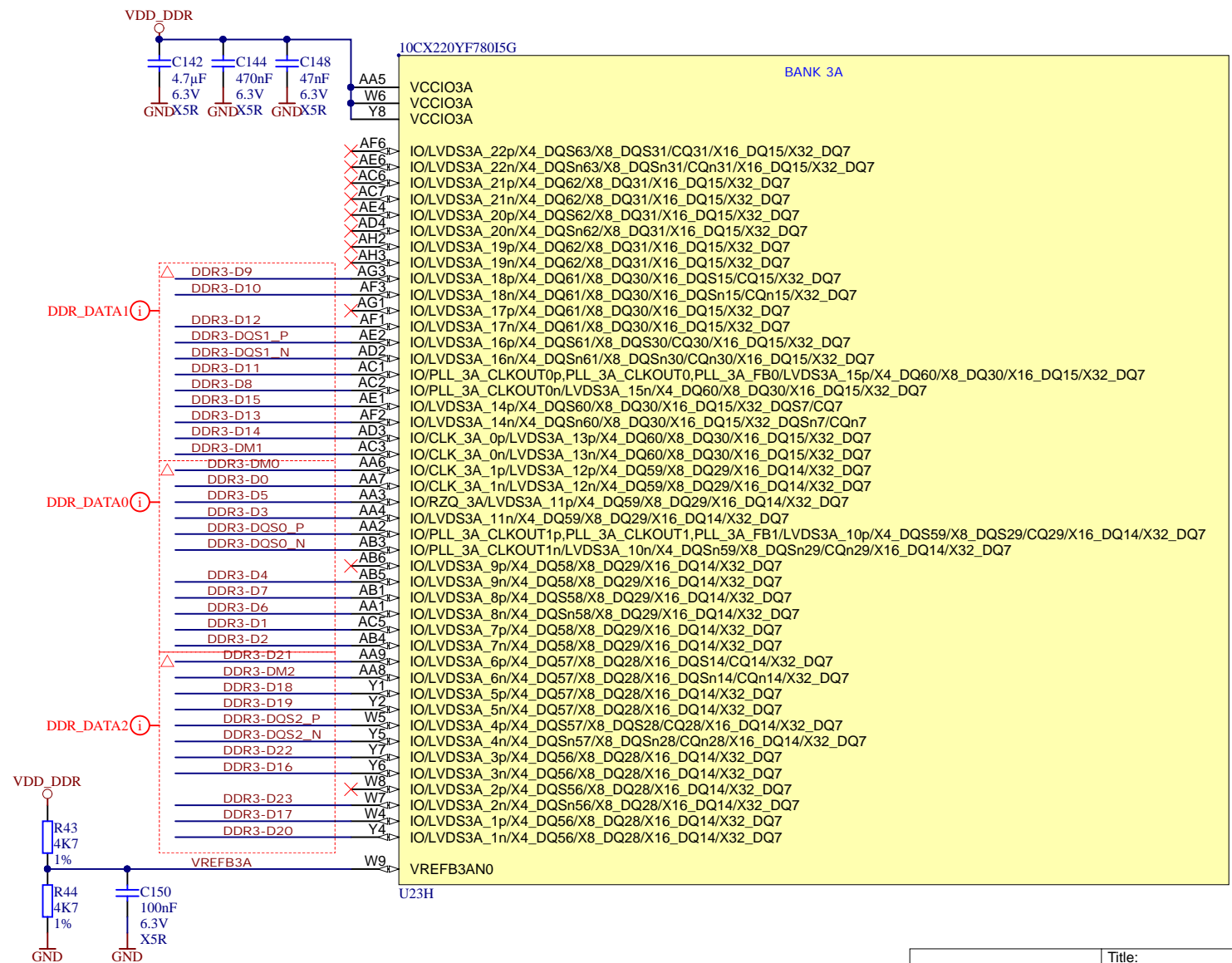

Title: TEI0006		
A4	Number: TEI0006 220-51	Rev. 01
Date: 2018-07-27	Copyright: Trenz Electronic GmbH	Page 9 of 21
Filename: C10GX_2J.SchDoc		



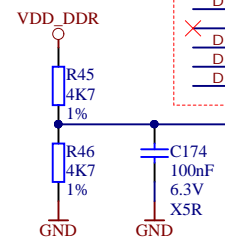
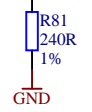
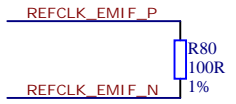
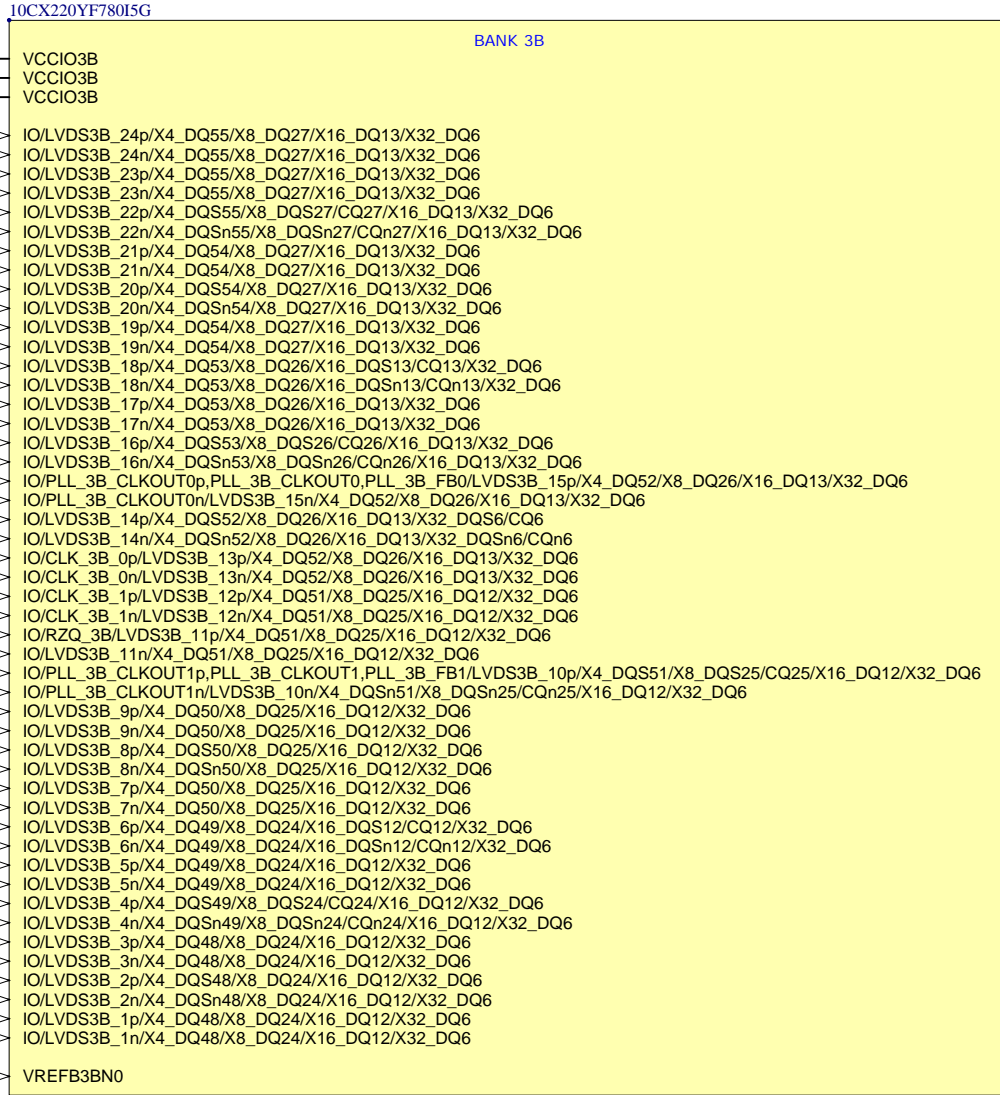
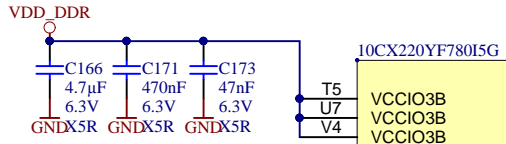
Title: TEI0006		
A4	Number: TEI0006 220-5I	Rev. 01
Date: 2018-07-27	Copyright: Trenz Electronic GmbH	Page 10 of 21
Filename: C10GX_2K.SchDoc		



Title: TEI0006		
A4	Number: TEI0006 220-5I	Rev. 01
Date: 2018-07-27	Copyright: Trenz Electronic GmbH	Page 11 of 21
Filename: C10GX_2L.SchDoc		

Title: TEI0006		
A4	Number: TEI0006 220-51	Rev. 01
Date: 2018-07-27	Copyright: Trenz Electronic GmbH	Page 12 of 21
Filename: C10GX_3A.SchDoc		



Title: TEI0006		
A4	Number: TEI0006 220-5I	Rev. 01
Date: 2018-07-27	Copyright: Trenz Electronic GmbH	Page 13 of 21
Filename: C10GX_3B.SchDoc		

A

B

C

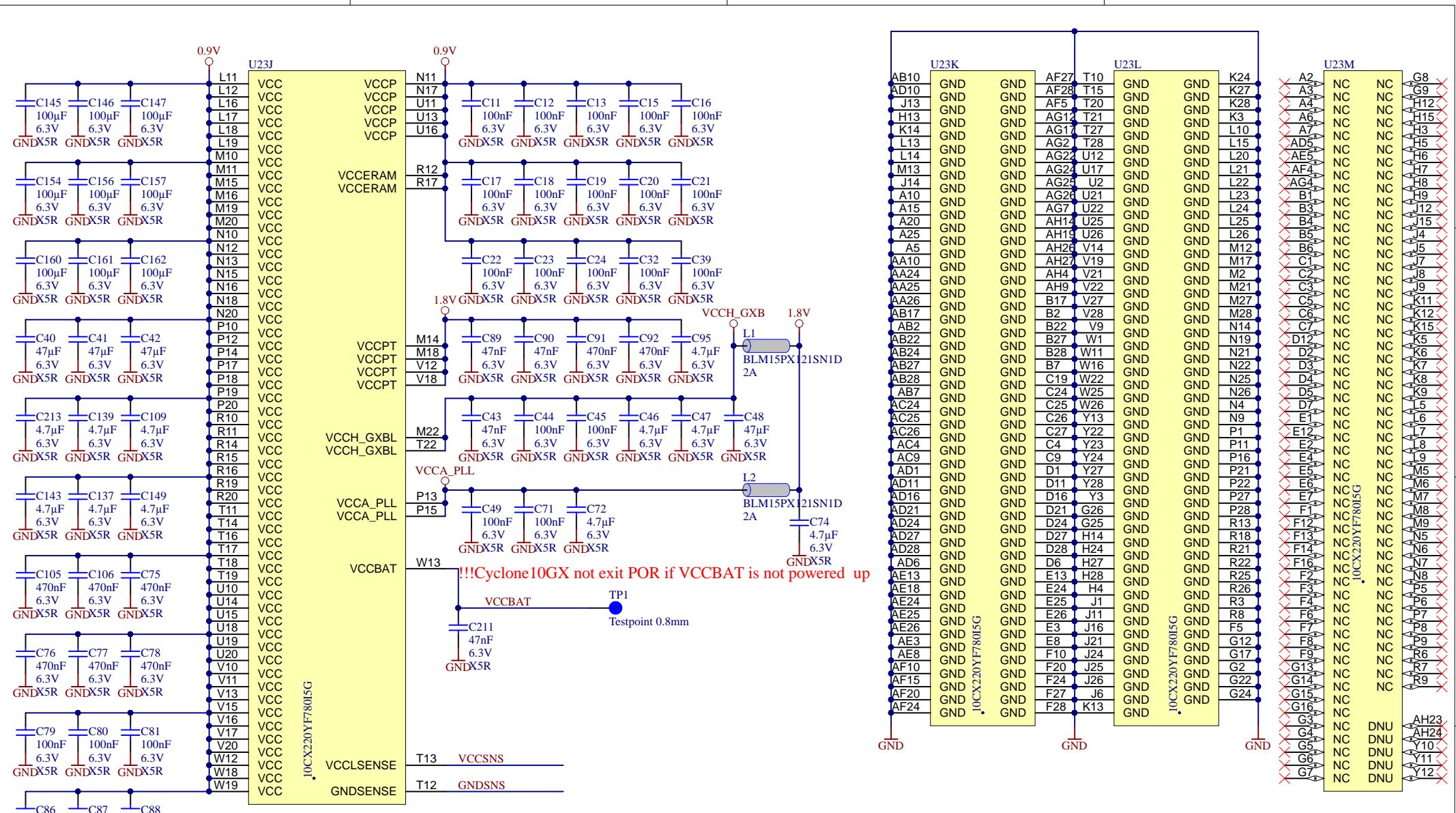
D

A

B

C

D



Title: TEI0006		
A4	Number: TEI0006 220-51	Rev. 01
Date: 2018-07-27	Copyright: Trenz Electronic GmbH	Page 14 of 21
Filename: C10GX_PWR.SchDoc		

A

B

C

D

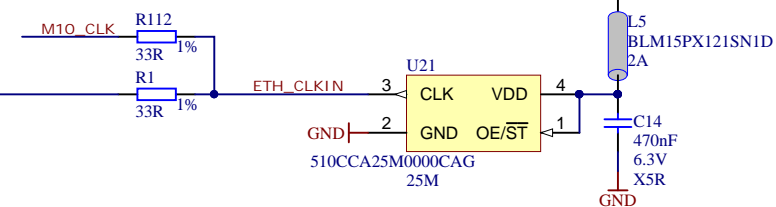
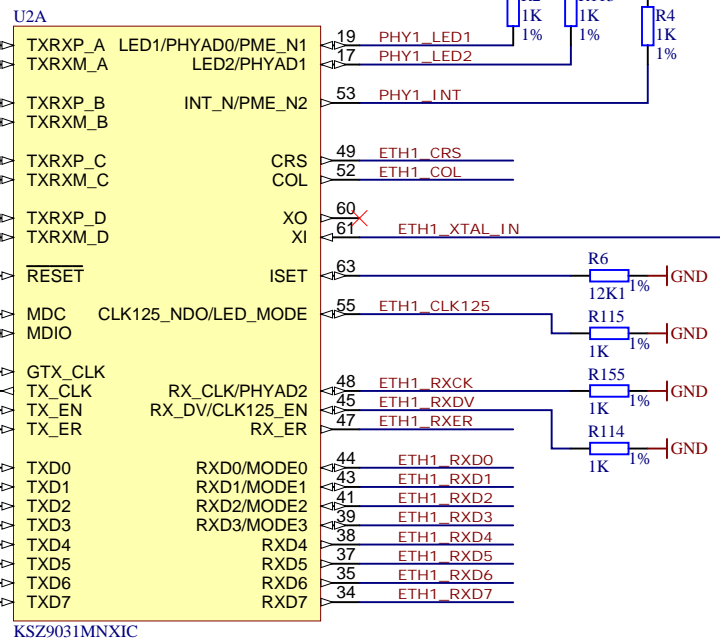
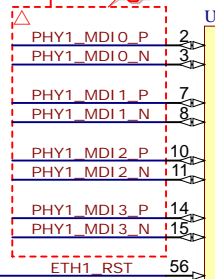
A

B

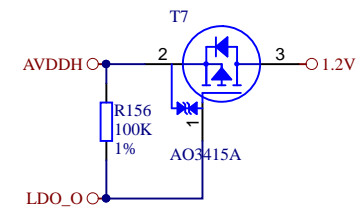
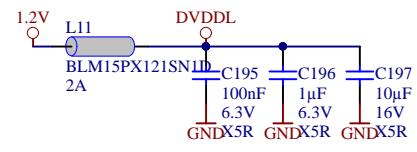
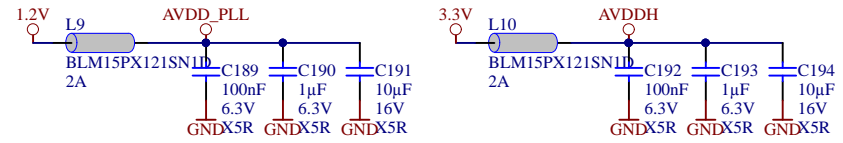
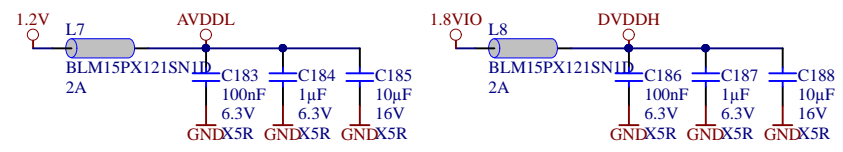
C

D

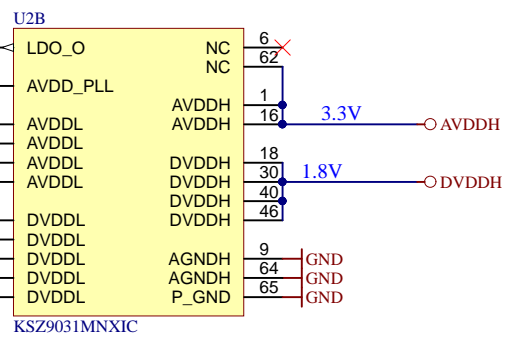
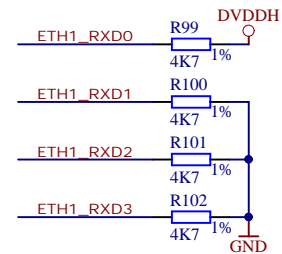
ETH_MDI



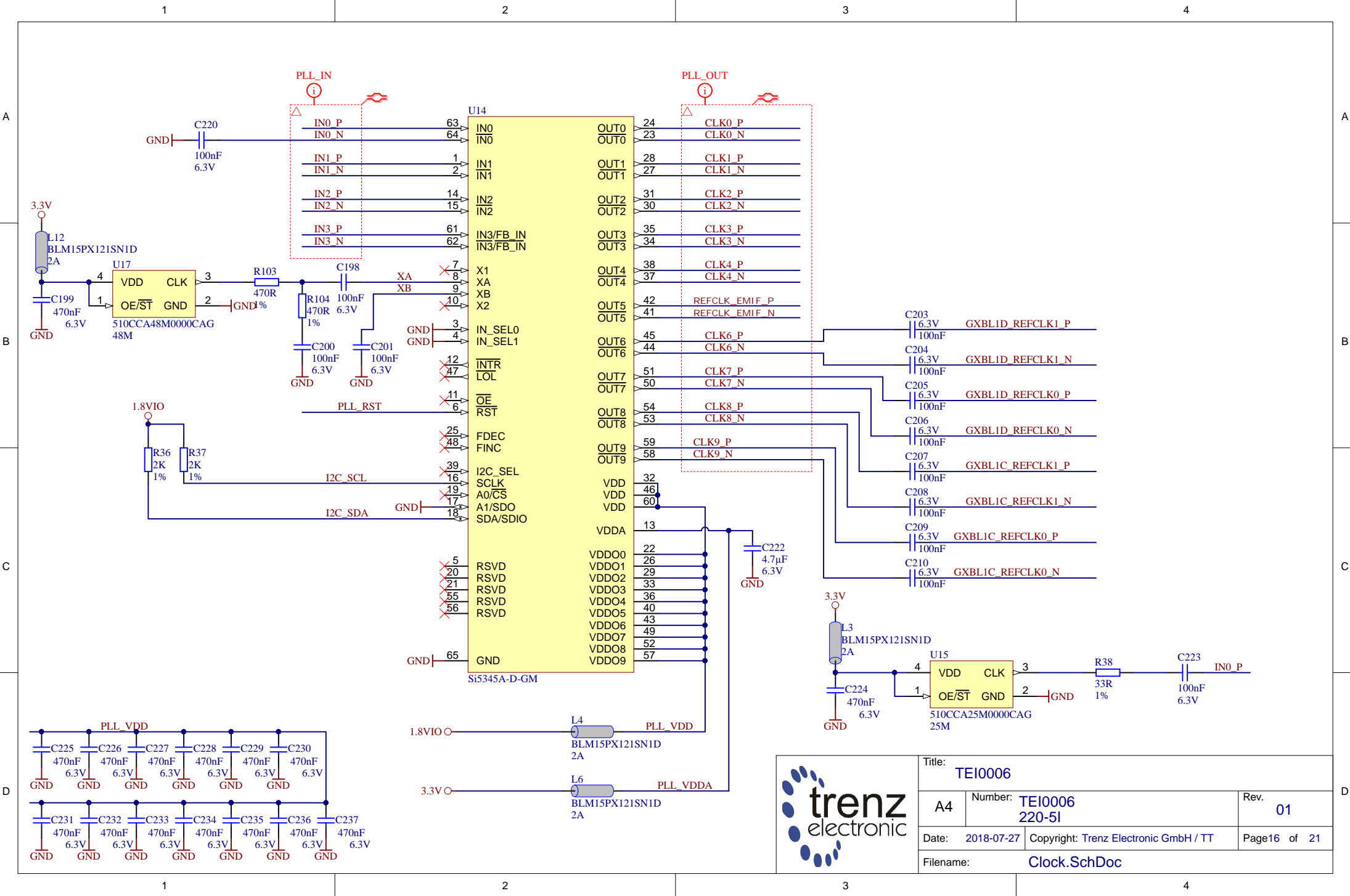
PHY Address: 0001



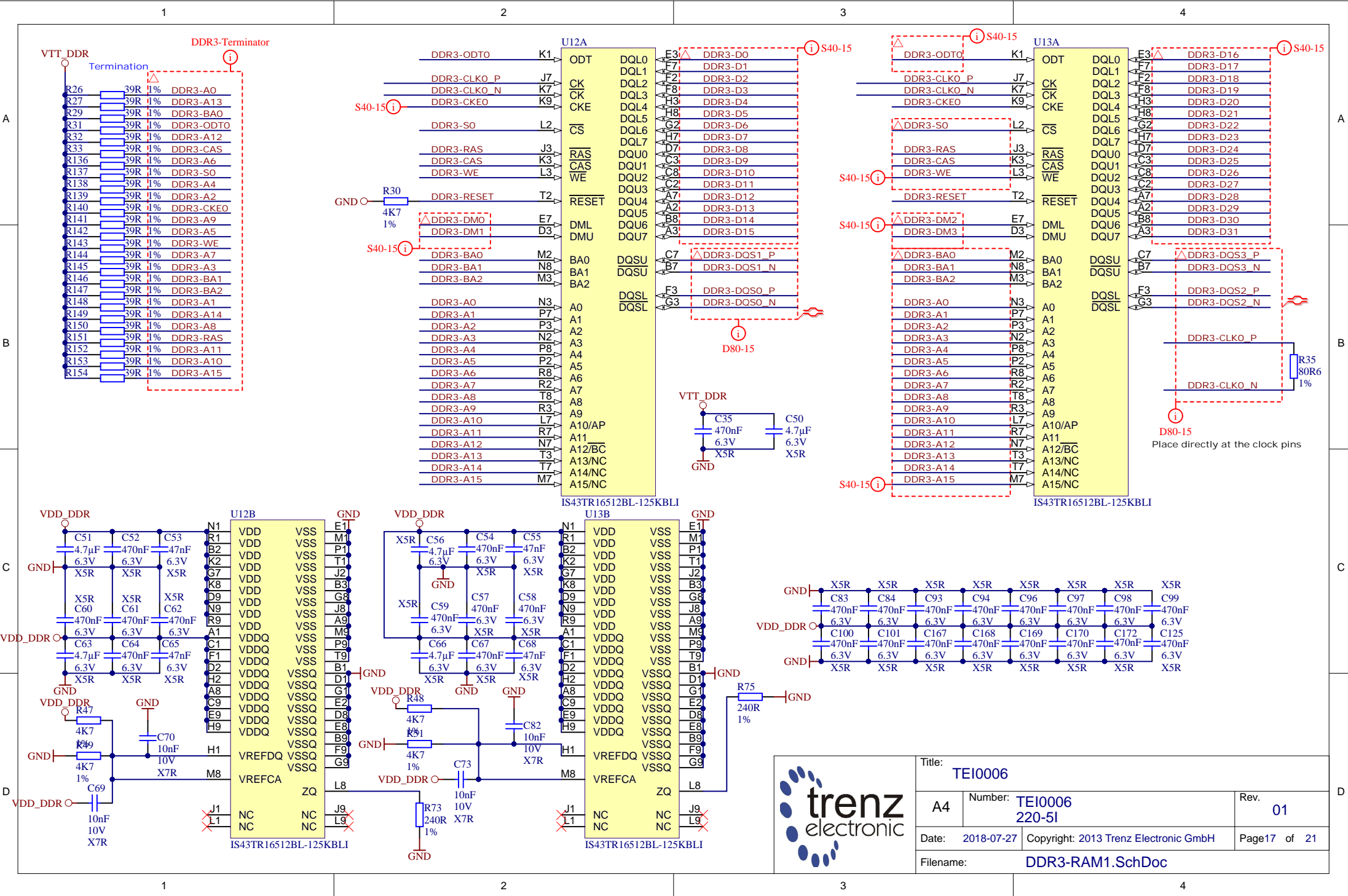
MODE: 0001 -> GMII/MII mode



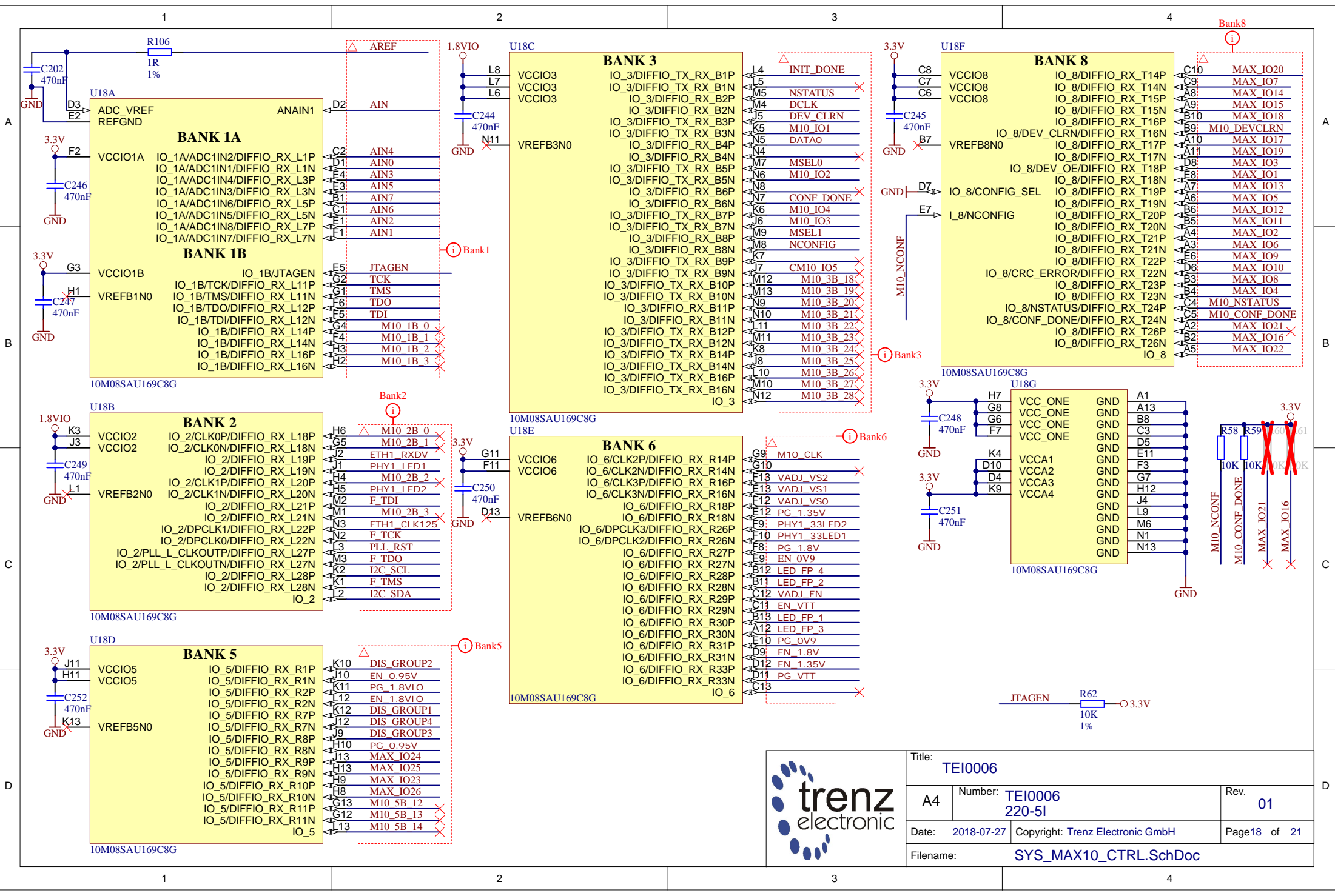
Title: TEI0006		
A4	Number: TEI0006 220-51	Rev. 01
Date: 2018-07-27	Copyright: Trenz Electronic GmbH	Page 15 of 21
Filename: EthPHY1.SchDoc		



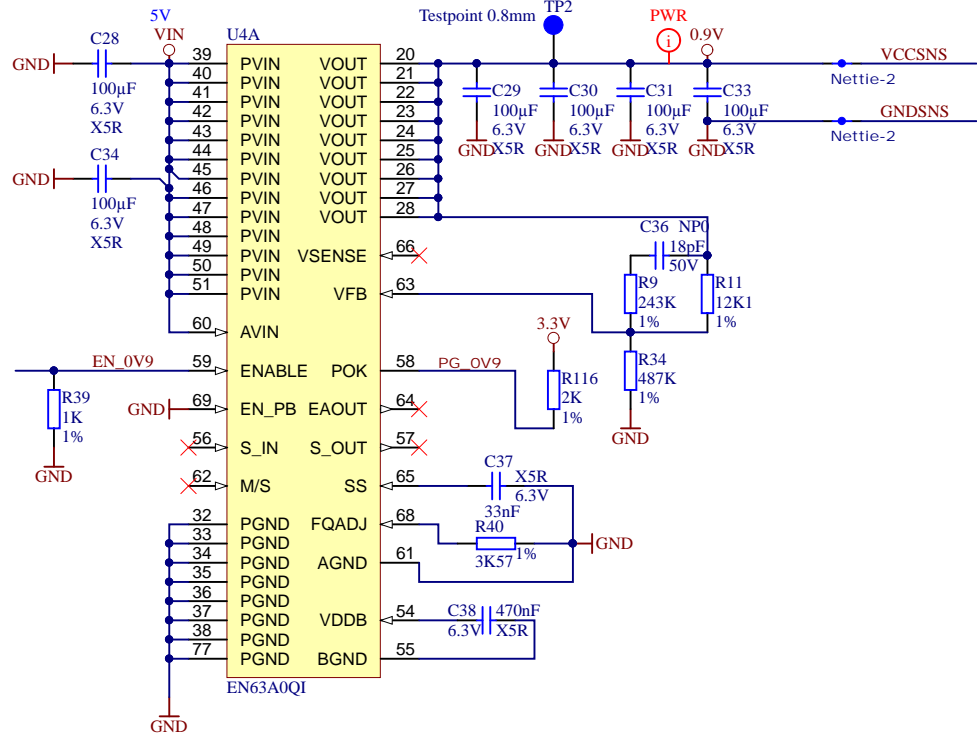
Title: TEI0006		
A4	Number: TEI0006 220-51	Rev. 01
Date: 2018-07-27	Copyright: Trenz Electronic GmbH / TT	Page 16 of 21
Filename: Clock.SchDoc		



Title: TEI0006		
A4	Number: TEI0006 220-51	Rev. 01
Date: 2018-07-27	Copyright: 2013 Trenz Electronic GmbH	Page 17 of 21
Filename: DDR3-RAM1.SchDoc		



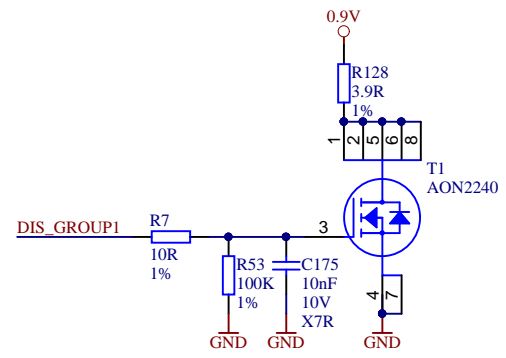
		Title: TEI0006	
		A4	Number: TEI0006 220-51
Date: 2018-07-27		Copyright: Trenz Electronic GmbH	
Filename: SYS_MAX10_CTRL.SchDoc		Rev. 01	
Page 18		of 21	



U4B

1	NC	NC	17
2	NC	NC	18
3	NC	NC	19
4	NC	NC	29
5	NC	NC	30
6	NC	NC(SW)	31
7	NC	NC(SW)	52
8	NC	NC	53
9	NC	NC	67
10	NC	NC	67
11	NC	NC(SW)	70
12	NC	NC(SW)	71
13	NC	NC	72
14	NC	NC	73
15	NC	NC	74
16	NC	NC	75
16	NC	NC	76

EN63A0QI



Title: TEI0006		
A4	Number: TEI0006 220-51	Rev. 01
Date: 2018-07-27	Copyright: Trenz Electronic GmbH	Page 19 of 21
Filename: PWR_CORE.SchDoc		

1

2

3

4

A

A

B

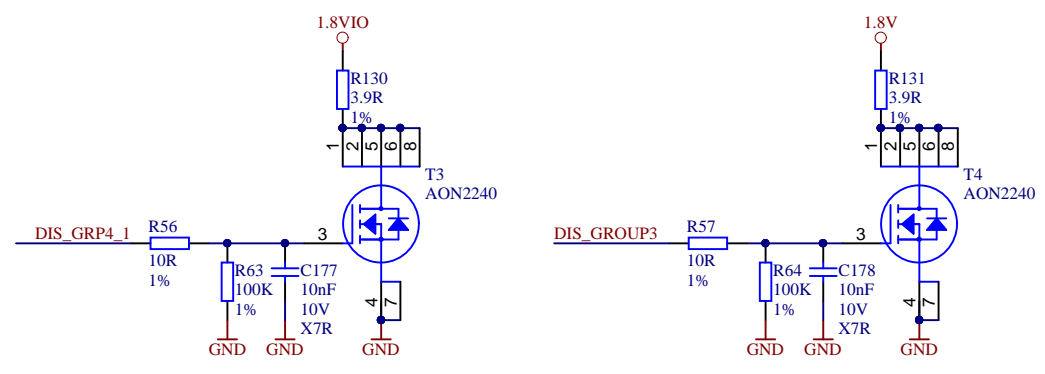
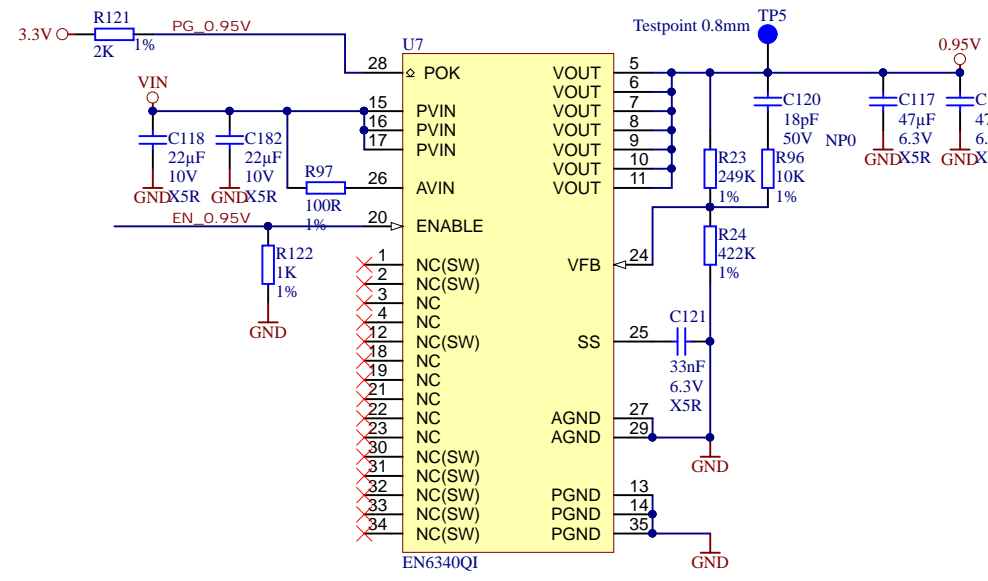
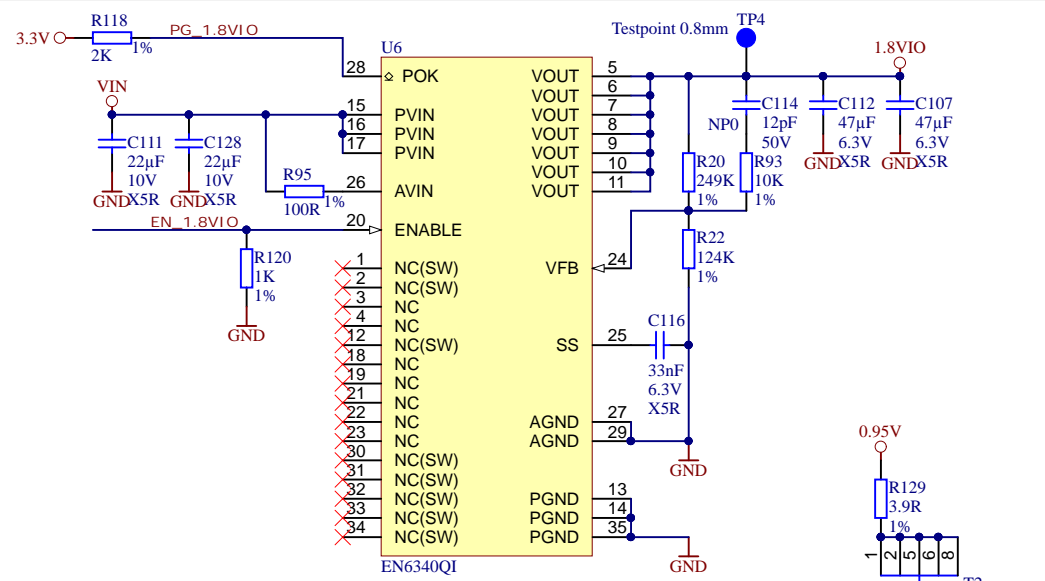
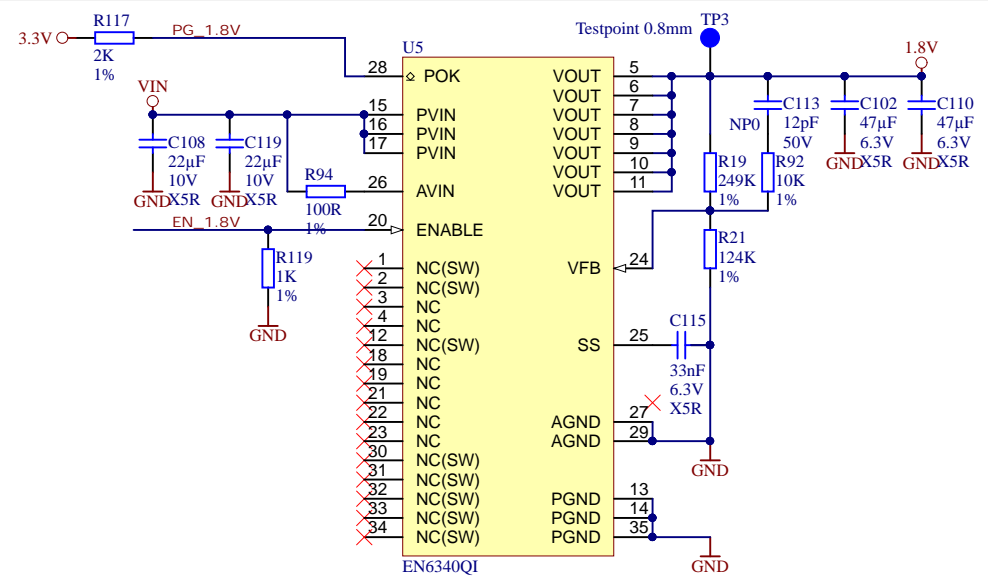

B

C

C

D

D

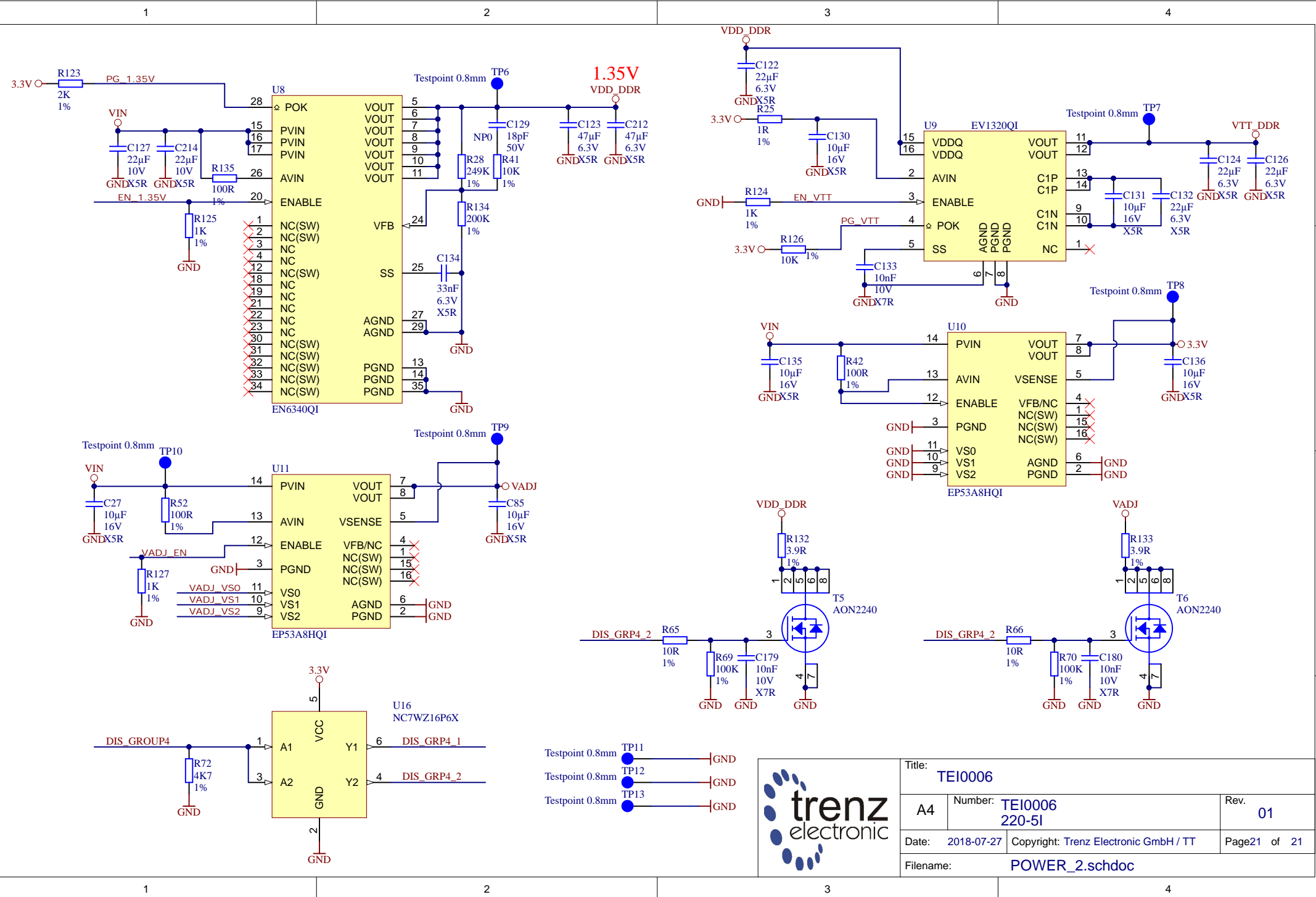
Title: TEI0006		
A4	Number: TEI0006 220-51	Rev. 01
Date: 2018-07-27	Copyright: Trenz Electronic GmbH / TT	Page20 of 21
Filename: POWER_1.schdoc		

1

2

3

4



Title: TEI0006		
A4	Number: TEI0006 220-51	Rev. 01
Date: 2018-07-27	Copyright: Trenz Electronic GmbH / TT	Page 21 of 21
Filename: POWER_2.schdoc		