
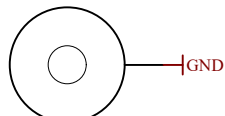


Regarding the usage of our schematics and alike documentation for Trenz module TEI0006.

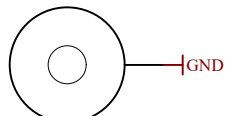
Project is protected under copyright and we strongly and strictly prohibit the reverse engineering or recreation, even if the design is just adapted or modified. TEI0006 is protected under such right and in case of plagiarism we will have to do anything necessary in order to protect our assets.

Schematics and other handouts serve for informational purposes only!

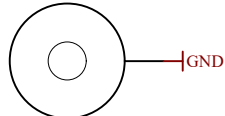
	Title: TEI0006 - Legal Notices		
	A4	Number: TEI0006 150-6E	Rev. 03
	Date: 2020-08-31	Copyright: Trenz Electronic GmbH / TT	Page 1 of 23
	Filename: Legal Notices Modules.SchDoc		



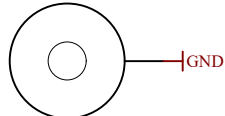
Mount.Hole 3.2mm für Unterlegscheibe



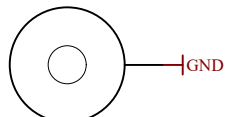
Mount.Hole 3.2mm für Unterlegscheibe



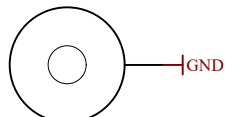
Mount.Hole 3.2mm für Unterlegscheibe



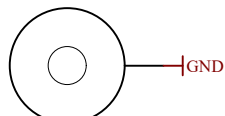
Mount.Hole 3.2mm für Unterlegscheibe



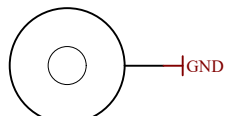
Mount.Hole 3.2mm für Unterlegscheibe



Mount.Hole 3.2mm für Unterlegscheibe

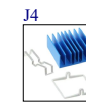
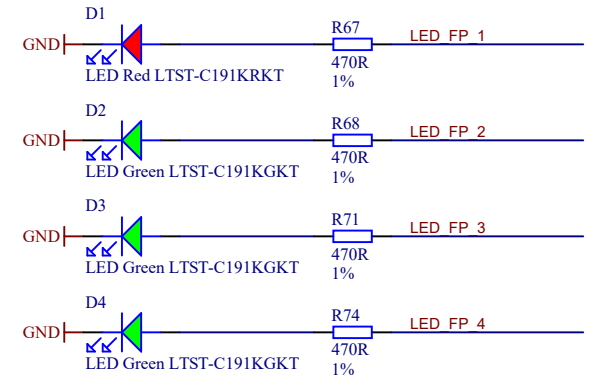
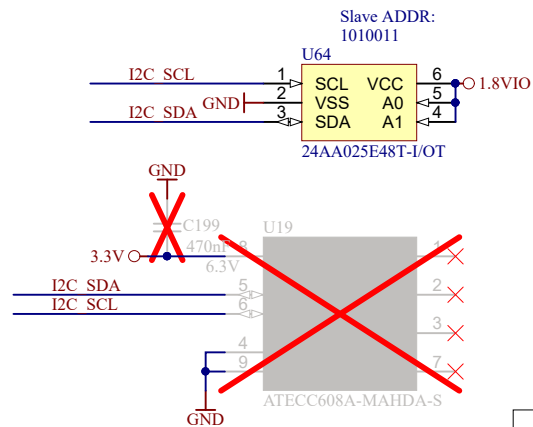
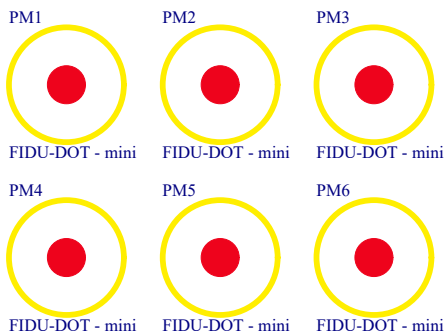


Mount.Hole 3.2mm für Unterlegscheibe



Mount.Hole 3.2mm für Unterlegscheibe

Serial
Serialnummer 6,3 x 6,3mm



ATS-X53290G-C1-R0 NOT CHECKED!!!

Assembly variant	150-6E
Created by	VT
Modified by	
Modified at	2020-04-23
SVN Revision	14946



Title: TEI0006		
A4	Number: TEI0006 150-6E	Rev. 03
Date: 2020-08-31	Copyright: Trenz Electronic GmbH / TT	Page2 of 23
Filename: TEI0006.SchDoc		

1

2

3

4

A

A

B

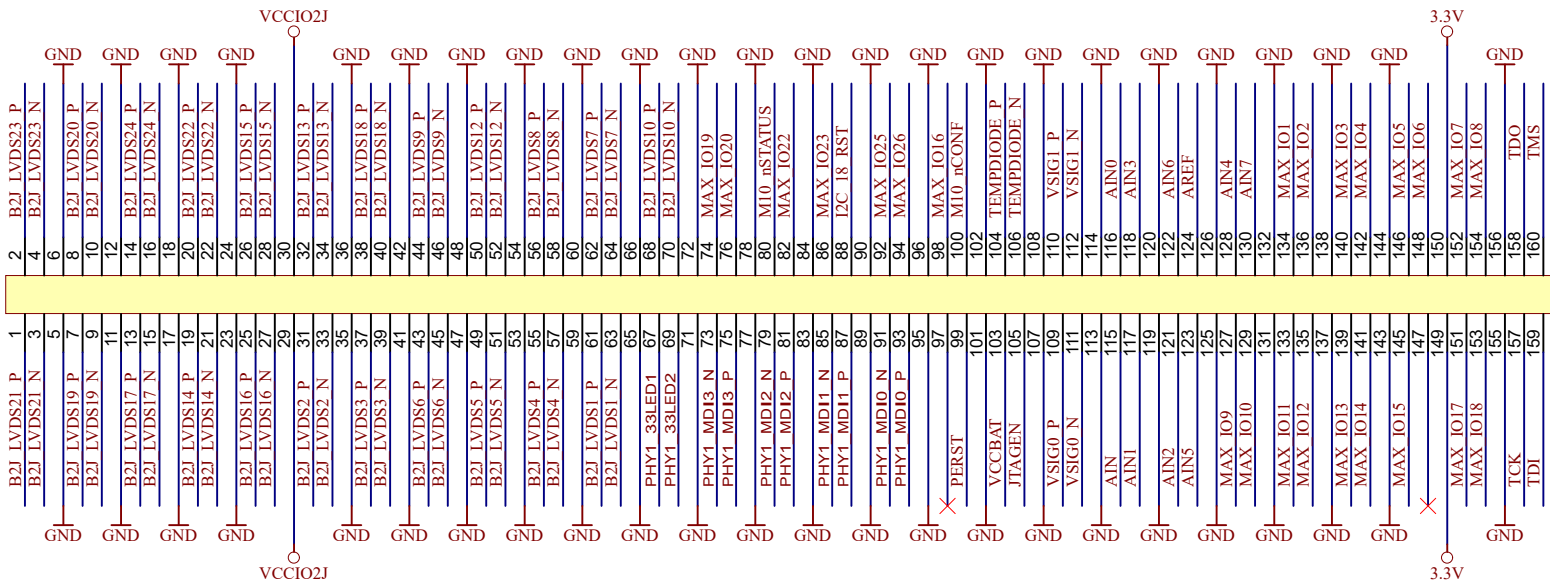
B

C

C

D

D



J2
ST5-80-1.50-L-D-P-TR



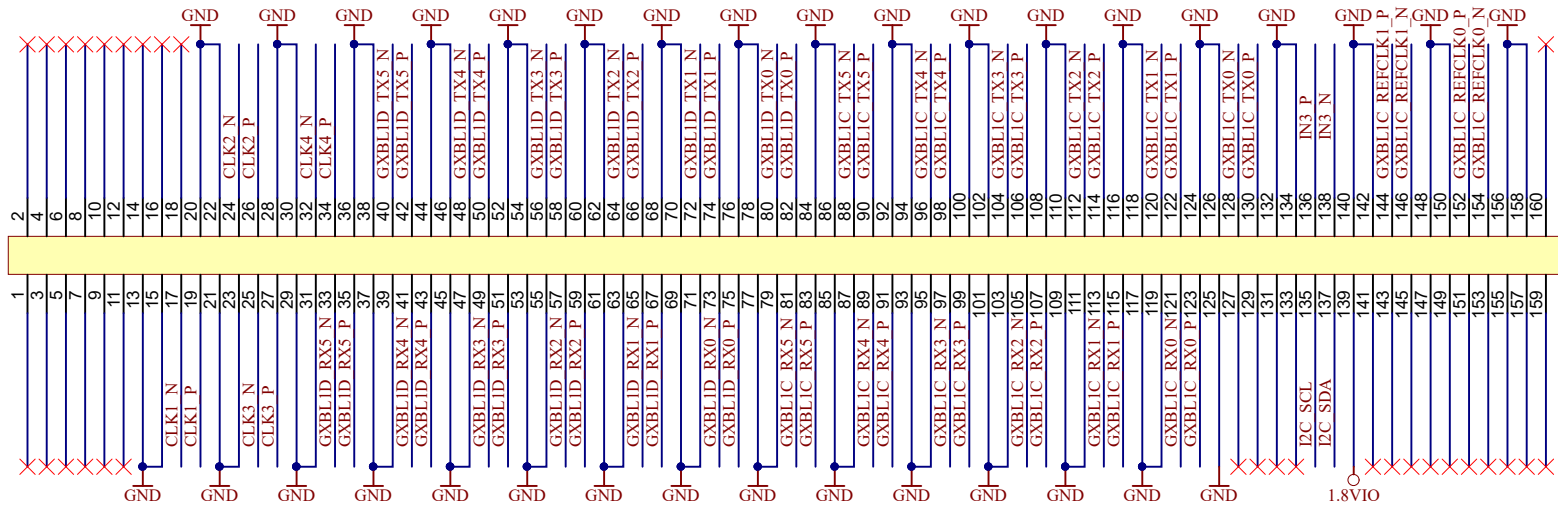
Title: TEI0006		
A4	Number: TEI0006 150-6E	Rev. 03
Date: 2020-08-31	Copyright: Trenz Electronic GmbH / TT	Page4 of 23
Filename: J2.SchDoc		

1


2

3

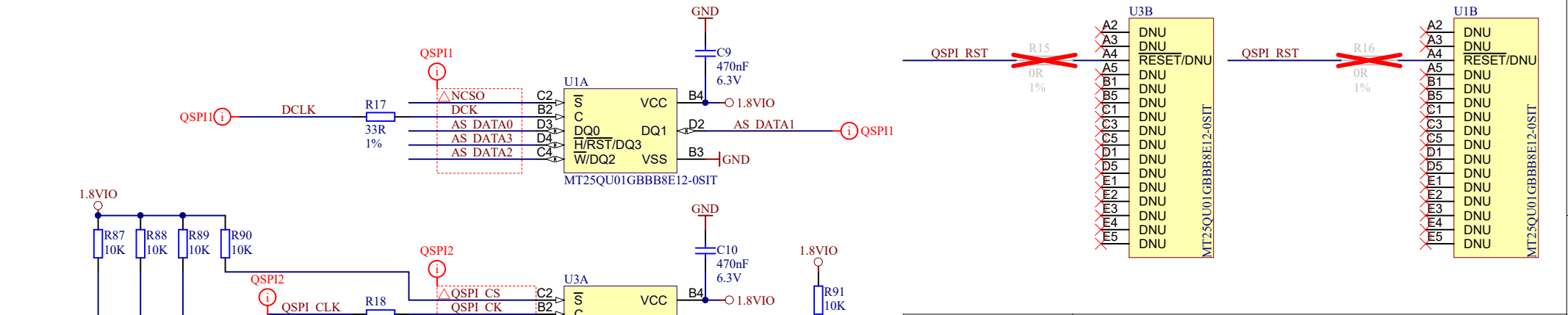
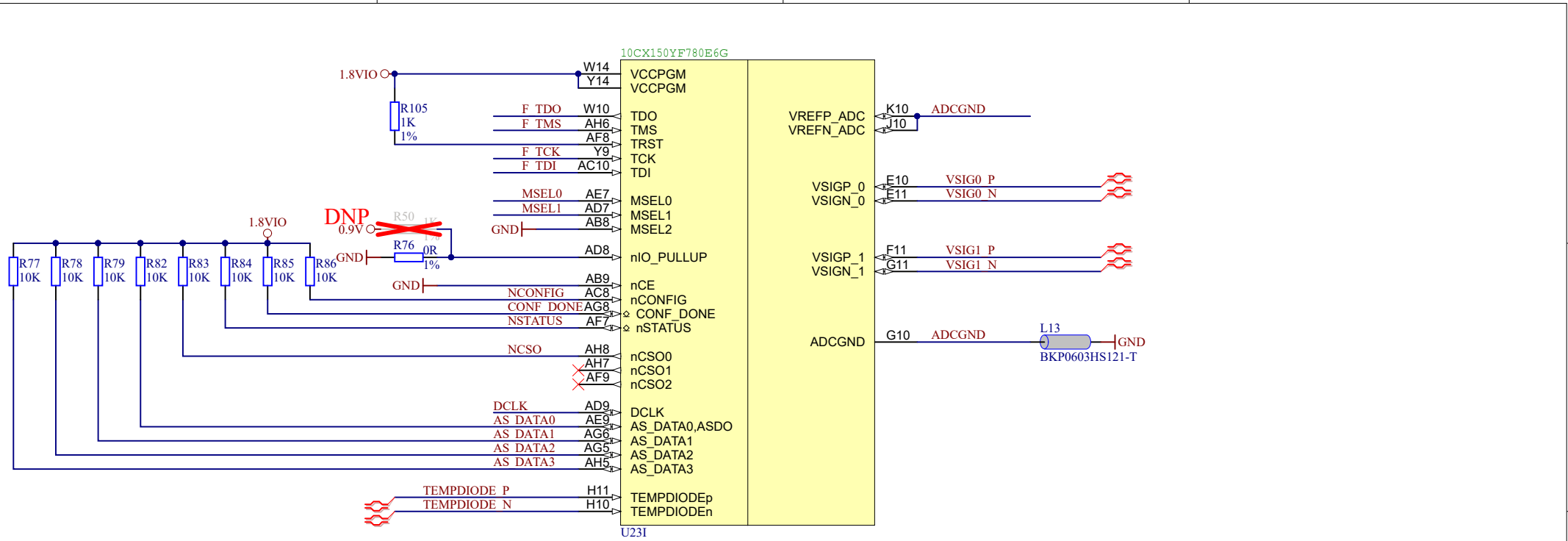
4



J3
ST5-80-1.50-L-D-P-TR

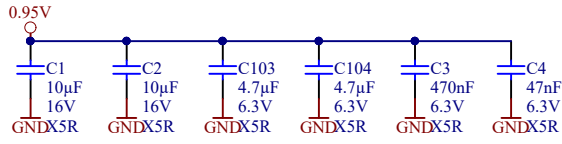


Title: TEI0006		
A4	Number: TEI0006 150-6E	Rev. 03
Date: 2020-08-31	Copyright: Trenz Electronic GmbH / TT	Page 5 of 23
Filename: J3.SchDoc		

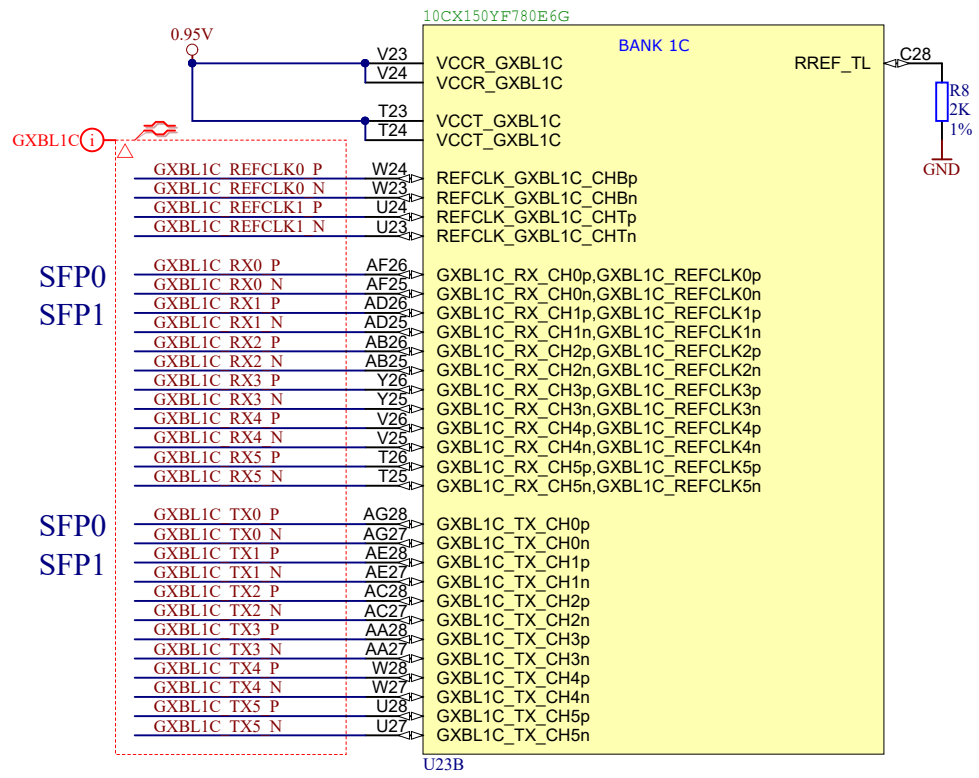
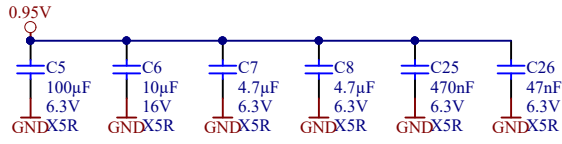


Title: TEI0006		
A4	Number: TEI0006 150-6E	Rev. 03
Date: 2020-08-31	Copyright: Trenz Electronic GmbH	Page 6 of 23
Filename: C10GX_CFG.SchDoc		

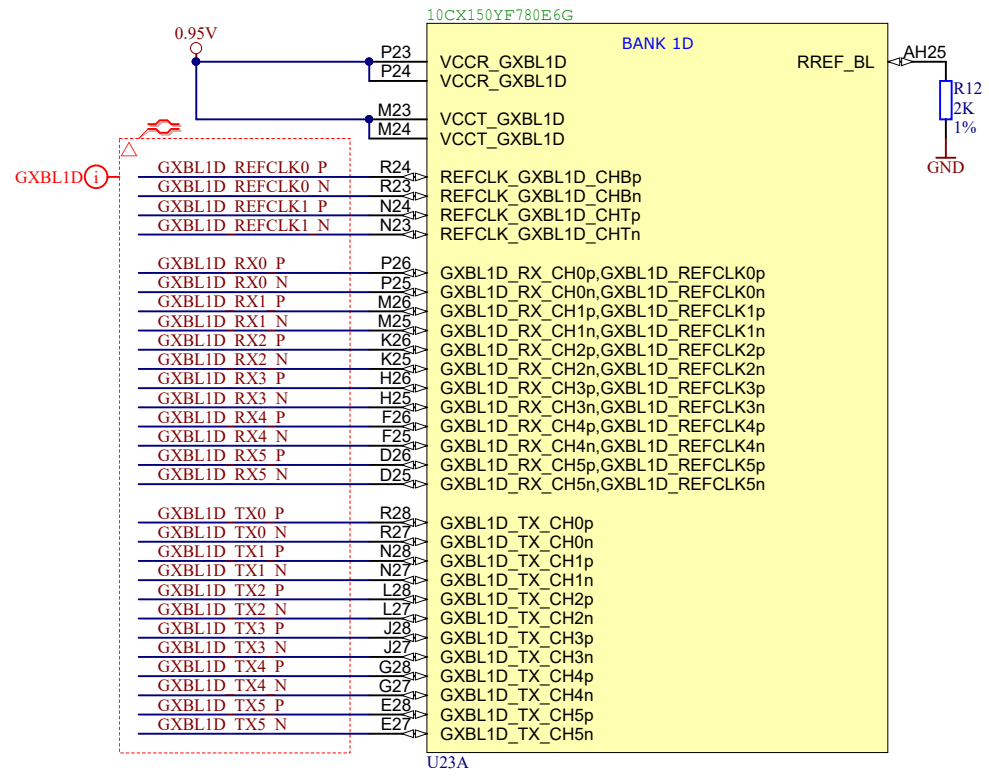
Placed at VCCT_GXB pins



Placed at VCCR_GXB pins



Title: TEI0006		
A4	Number: TEI0006 150-6E	Rev. 03
Date: 2020-08-31	Copyright: Trenz Electronic GmbH	Page 7 of 23
Filename: C10GX_1C.SchDoc		



	Title: TEI0006		
	A4	Number: TEI0006 150-6E	Rev. 03
	Date: 2020-08-31	Copyright: Trenz Electronic GmbH	Page 8 of 23
	Filename: C10GX_1D.SchDoc		

A

A

B

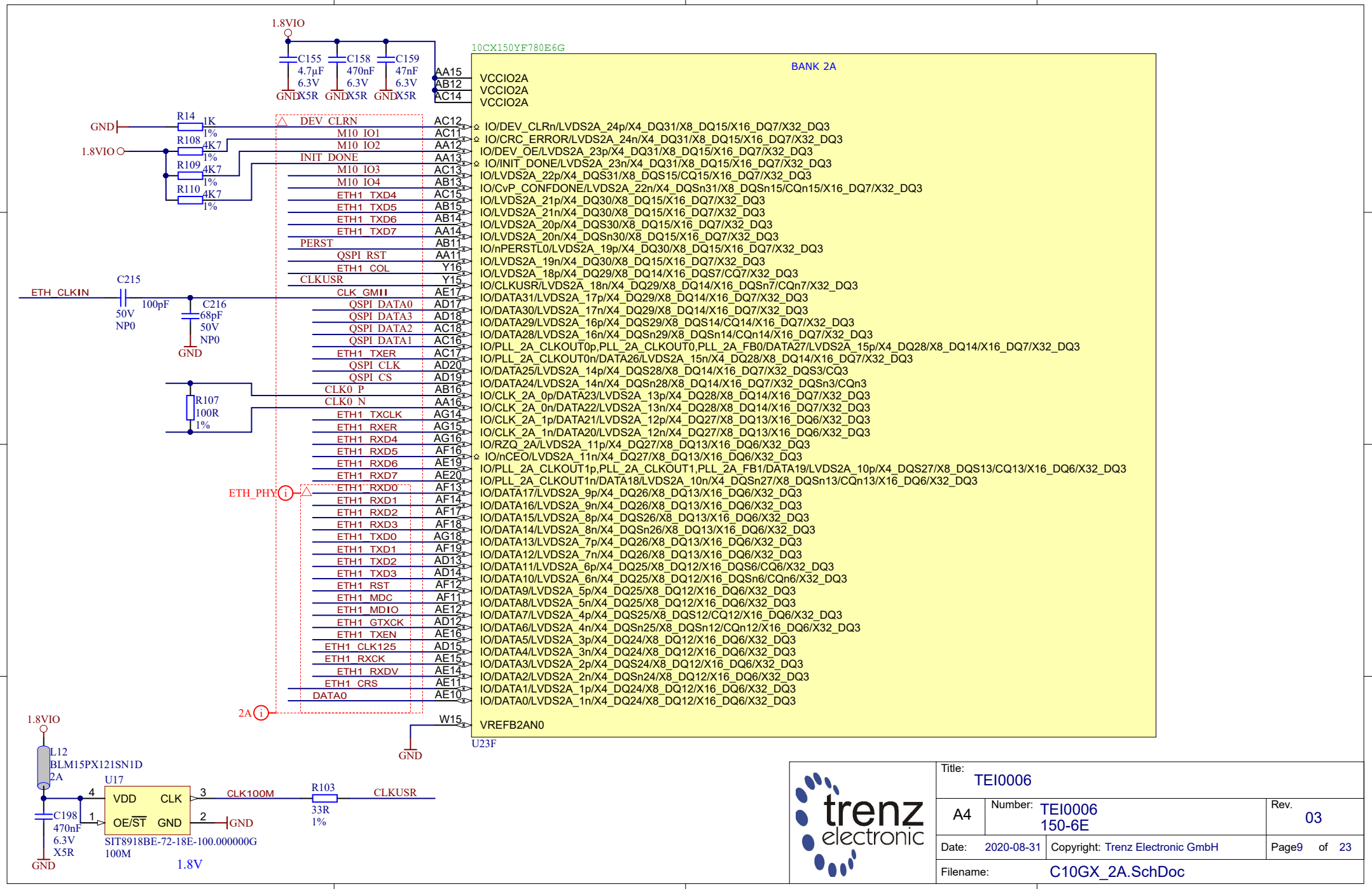
B

C

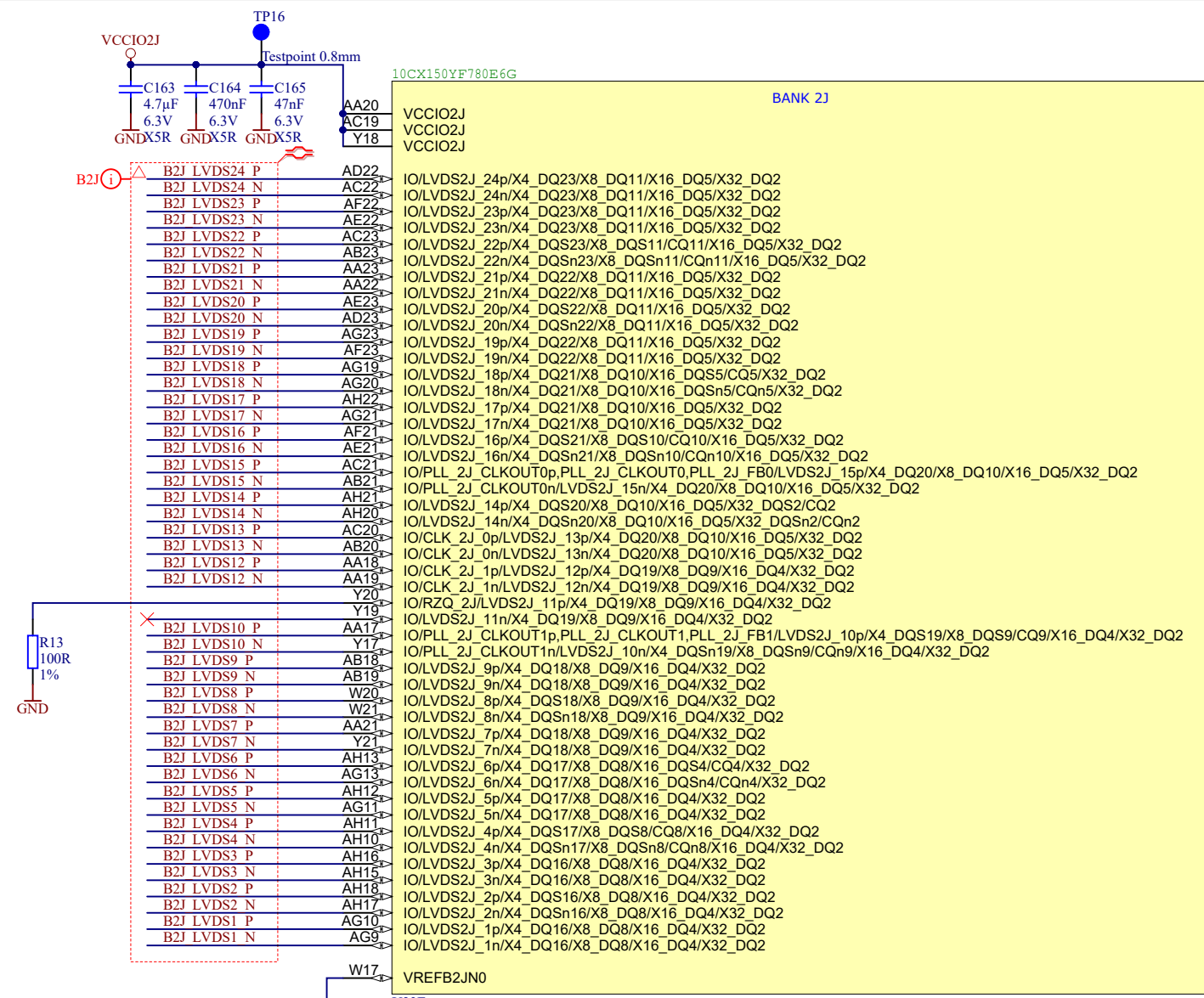

C

D

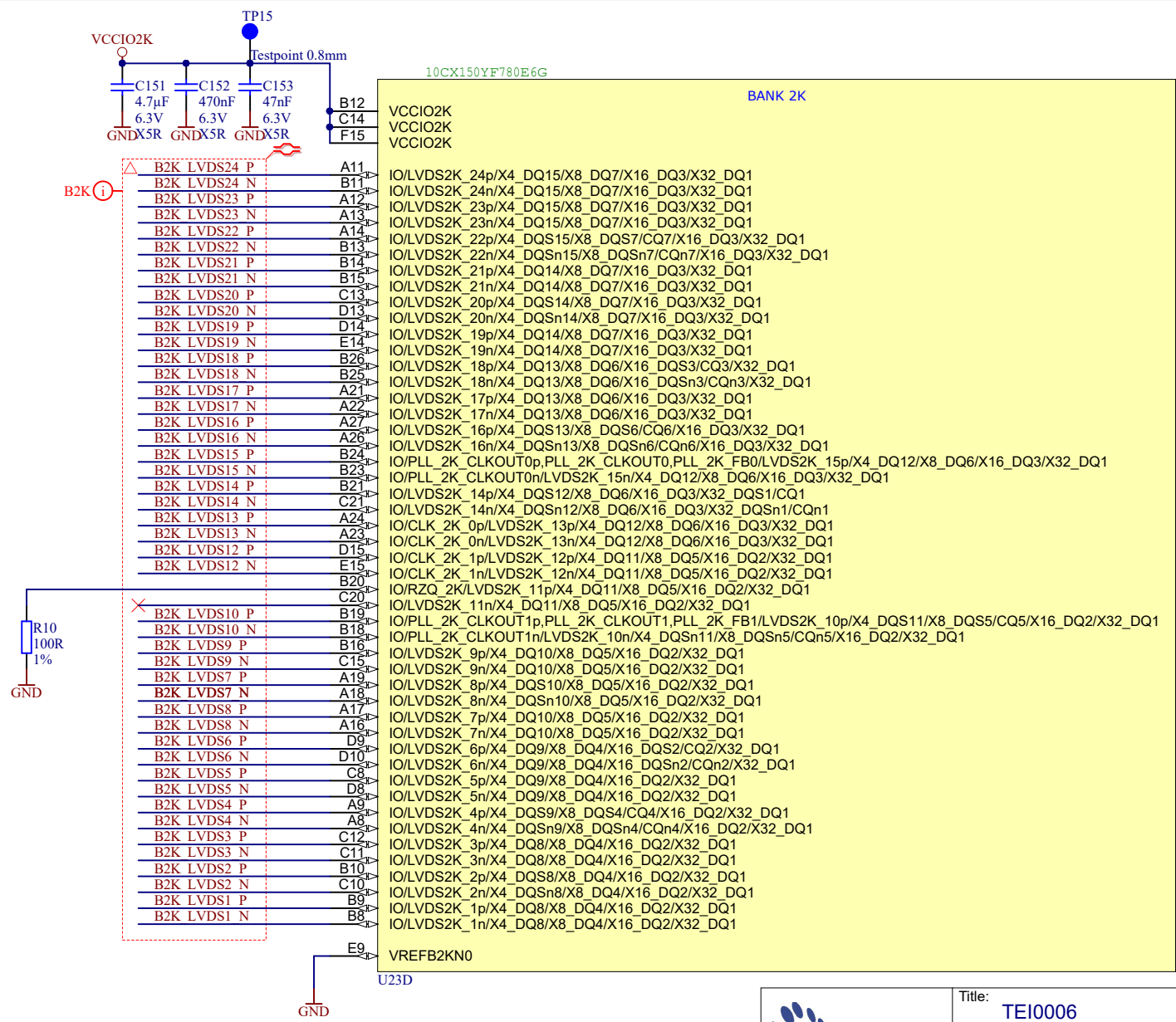
D



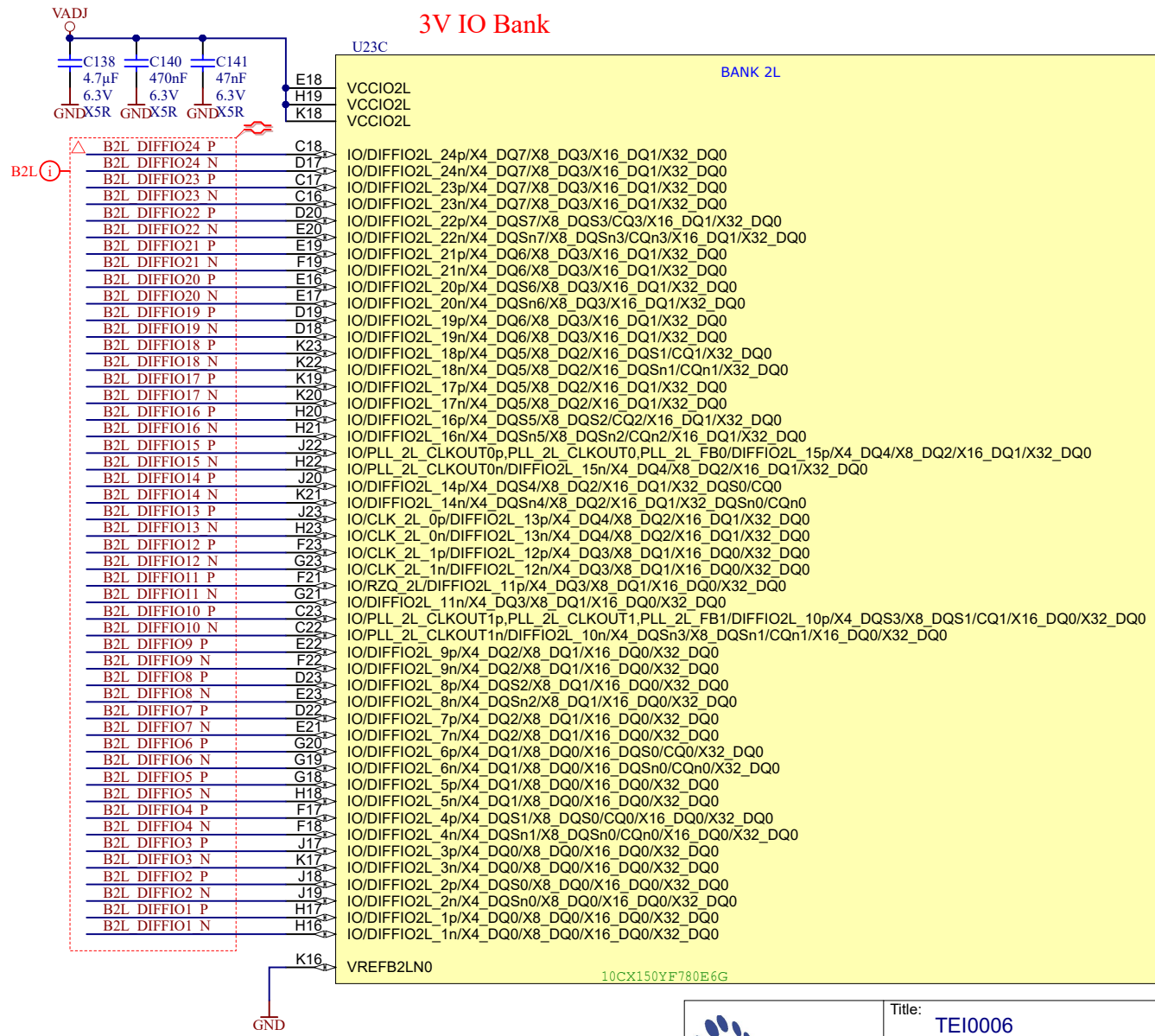
Title: TEI0006		
A4	Number: TEI0006 150-6E	Rev. 03
Date: 2020-08-31	Copyright: Trenz Electronic GmbH	
Filename: C10GX_2A.SchDoc		Page 9 of 23

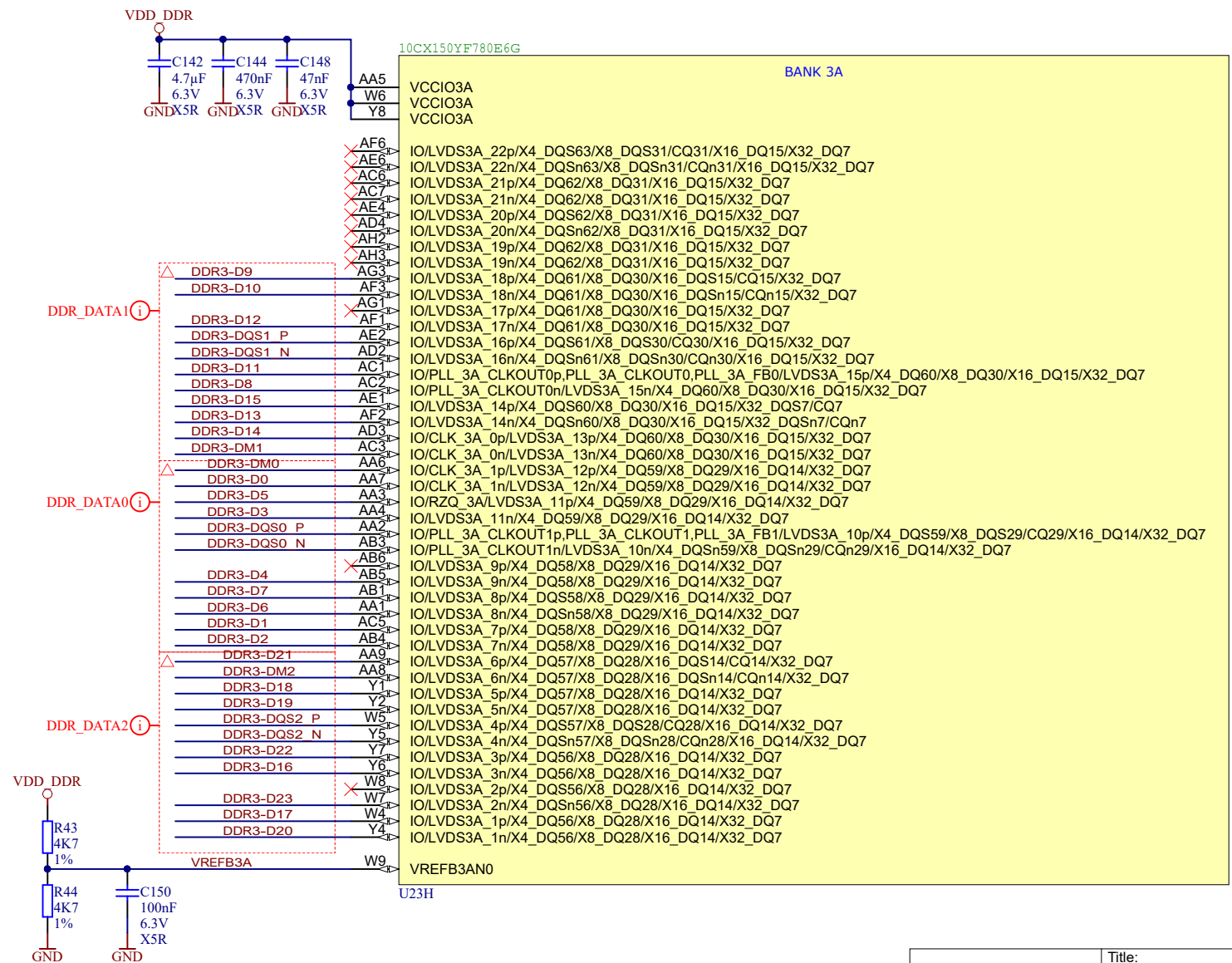

Title: TEI0006		
A4	Number: TEI0006 150-6E	Rev. 03
Date: 2020-08-31	Copyright: Trenz Electronic GmbH	Page 10 of 23
Filename: C10GX_2J.SchDoc		



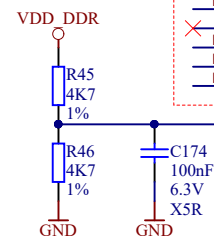
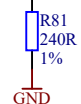
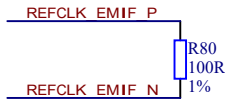
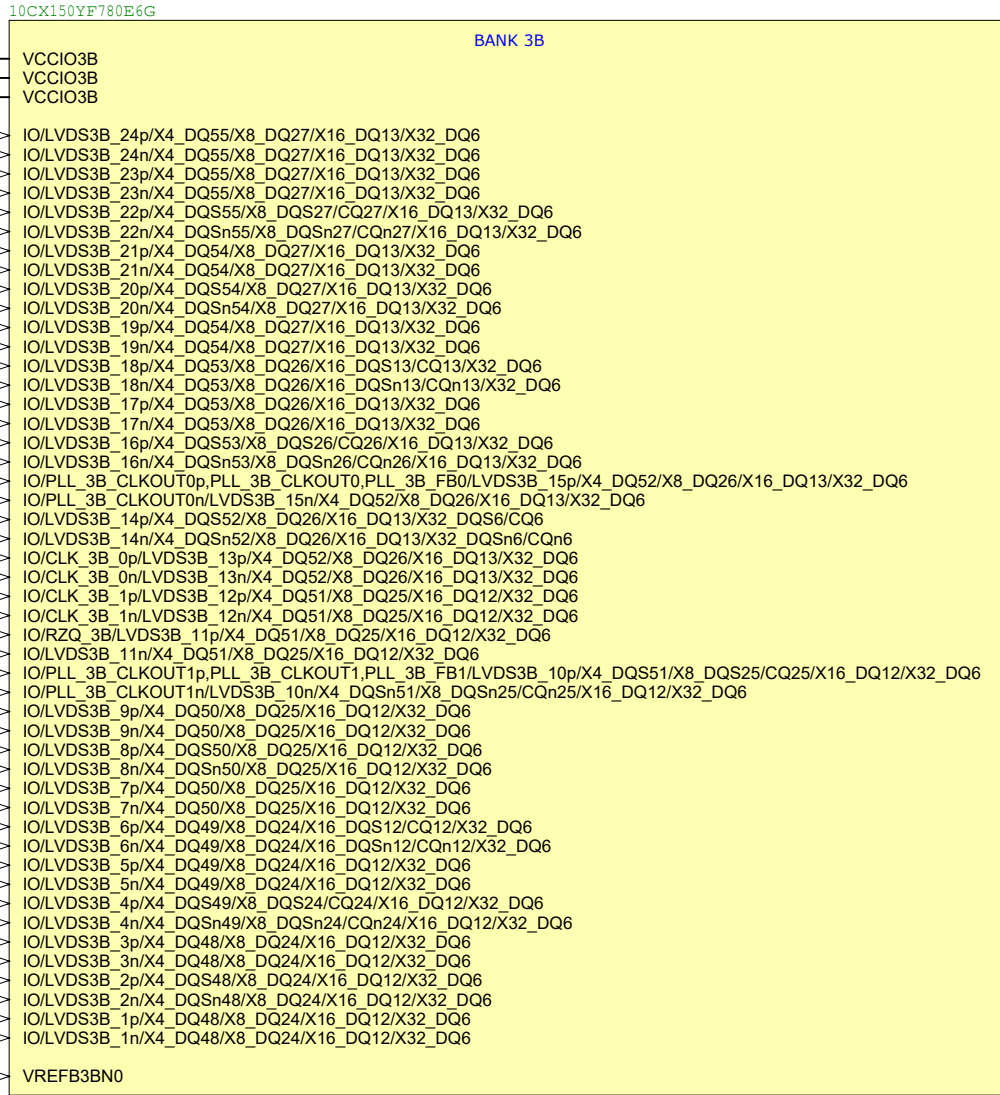
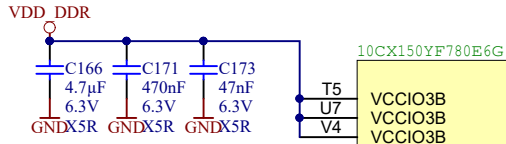
Title: TEI0006		
A4	Number: TEI0006 150-6E	Rev. 03
Date: 2020-08-31	Copyright: Trenz Electronic GmbH	Page 11 of 23
Filename: C10GX_2K.SchDoc		



Title: TEI0006		
A4	Number: TEI0006 150-6E	Rev. 03
Date: 2020-08-31	Copyright: Trenz Electronic GmbH	Page 12 of 23
Filename: C10GX_2L.SchDoc		

Title: TEI0006		
A4	Number: TEI0006 150-6E	Rev. 03
Date: 2020-08-31	Copyright: Trenz Electronic GmbH	Page 13 of 23
Filename: C10GX_3A.SchDoc		



Title: TEI0006		
A4	Number: TEI0006 150-6E	Rev. 03
Date: 2020-08-31	Copyright: Trenz Electronic GmbH	Page 14 of 23
Filename: C10GX_3B.SchDoc		

A

B

C

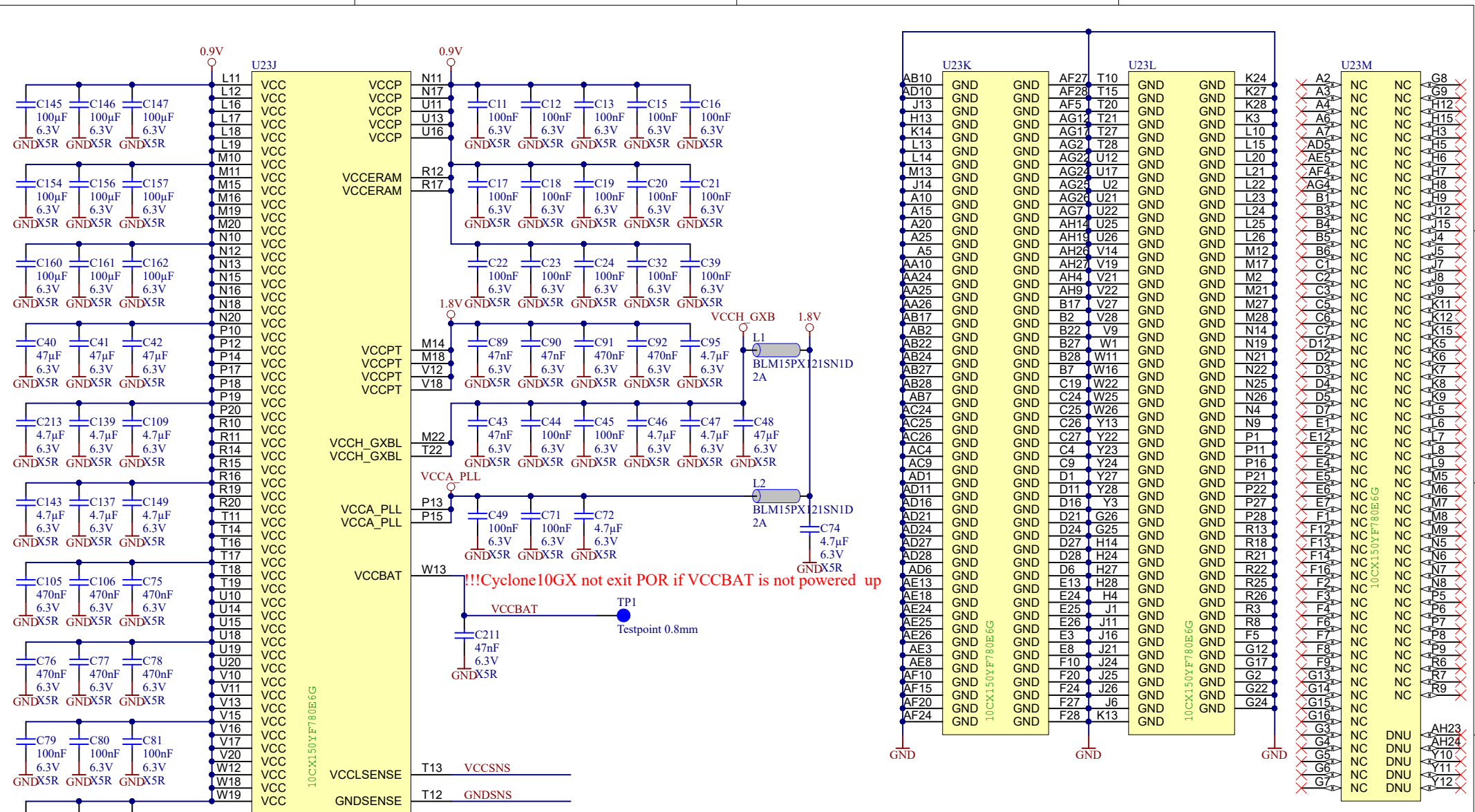
D

A

B

C

D



Title: TEI0006		
A4	Number: TEI0006 150-6E	Rev. 03
Date: 2020-08-31	Copyright: Trenz Electronic GmbH	Page 15 of 23
Filename: C10GX_PWR.SchDoc		

A

B

C

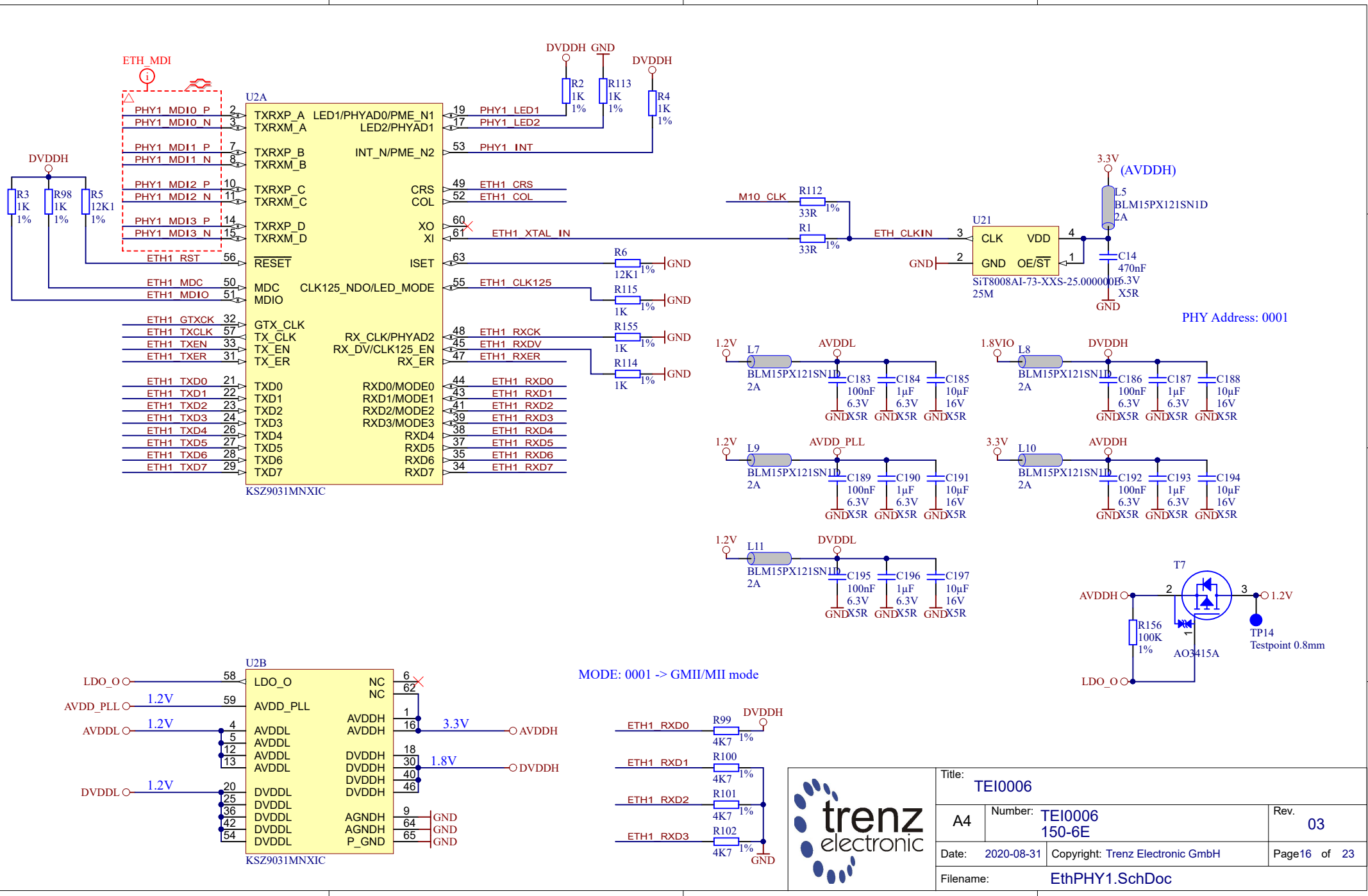
D

A

B

C

D



Title: TEI0006		
A4	Number: TEI0006 150-6E	Rev. 03
Date: 2020-08-31	Copyright: Trenz Electronic GmbH	Page 16 of 23
Filename: EthPHY1_SchDoc		

1

2

3

4

A

A

B

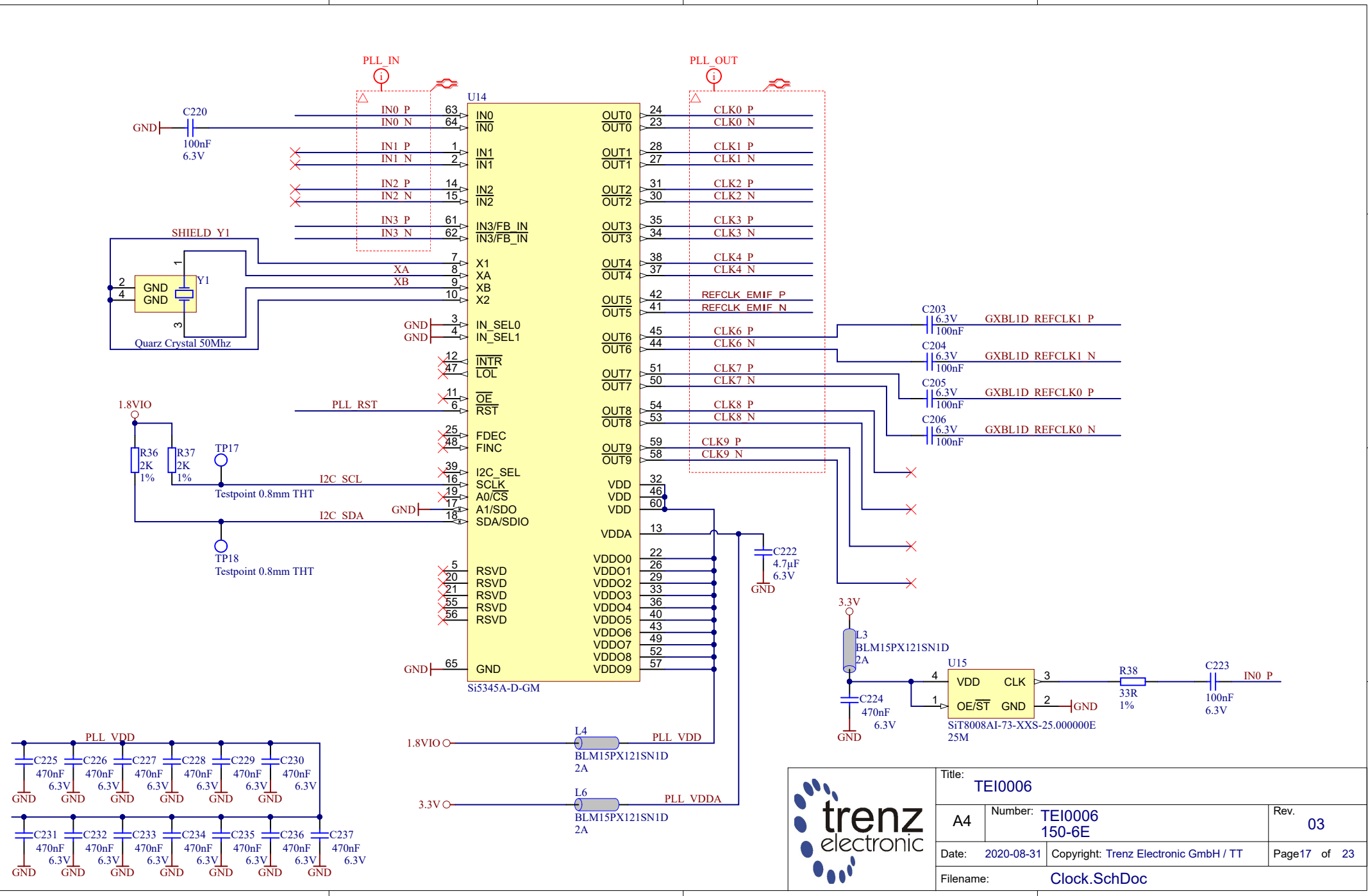
B

C

C

D

D



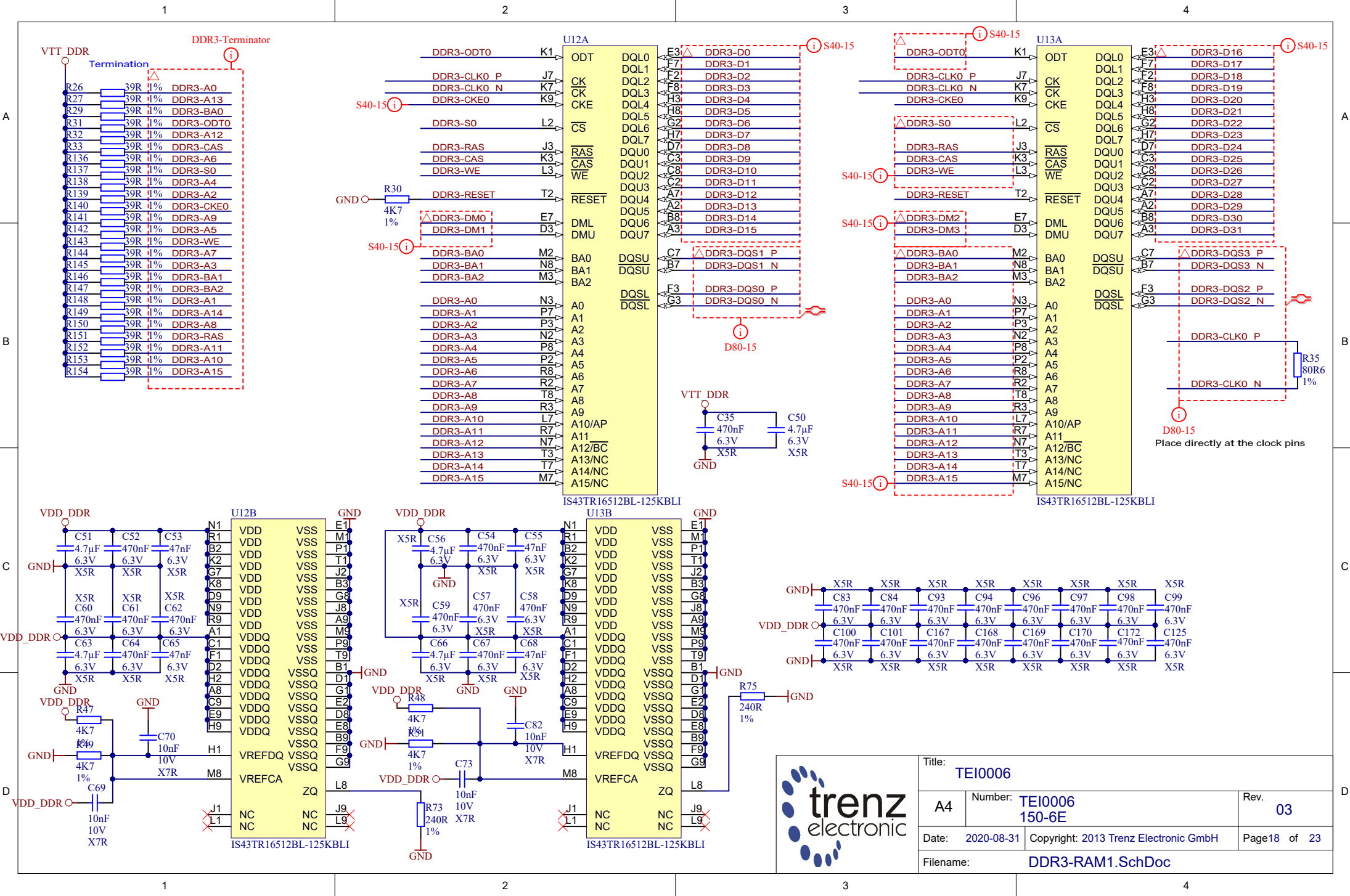
Title: TEI0006		
A4	Number: TEI0006 150-6E	Rev. 03
Date: 2020-08-31	Copyright: Trenz Electronic GmbH / TT	Page 17 of 23
Filename: Clock.SchDoc		

1

2

3

4



DDR3-Terminator

Termination

A

B

C

D

A

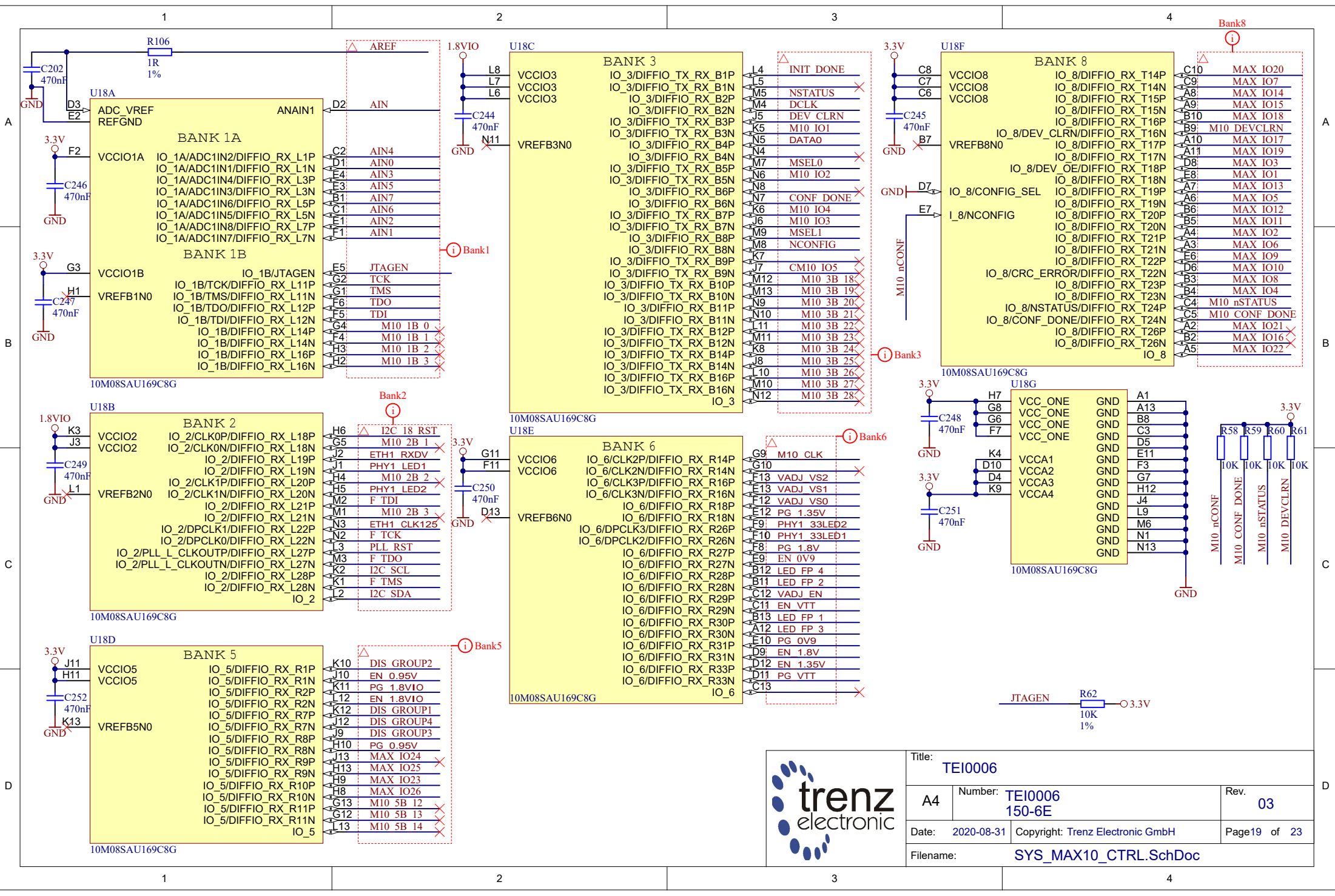
B

C

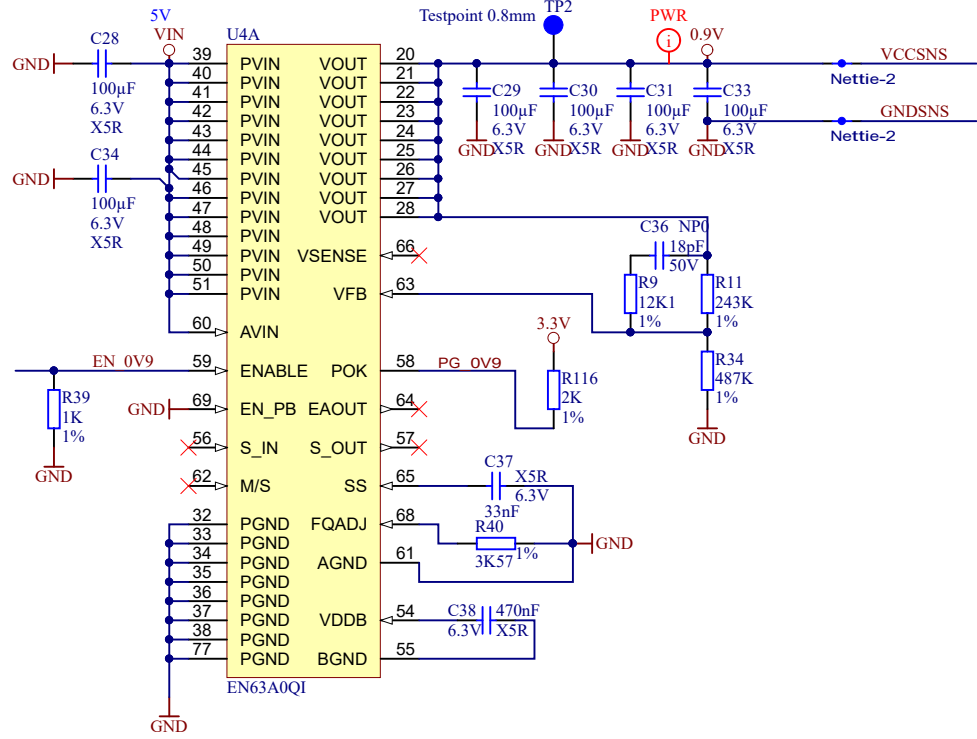
D



Title: TEI0006		
A4	Number: TEI0006 150-6E	Rev. 03
Date: 2020-08-31	Copyright: 2013 Trenz Electronic GmbH	Page 18 of 23
Filename: DDR3-RAM1.SchDoc		



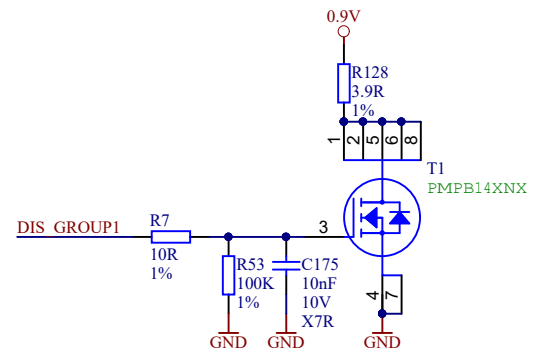
Title: TEI0006		
A4	Number: TEI0006 150-6E	Rev. 03
Date: 2020-08-31	Copyright: Trenz Electronic GmbH	Page 19 of 23
Filename: SYS_MAX10_CTRL.SchDoc		



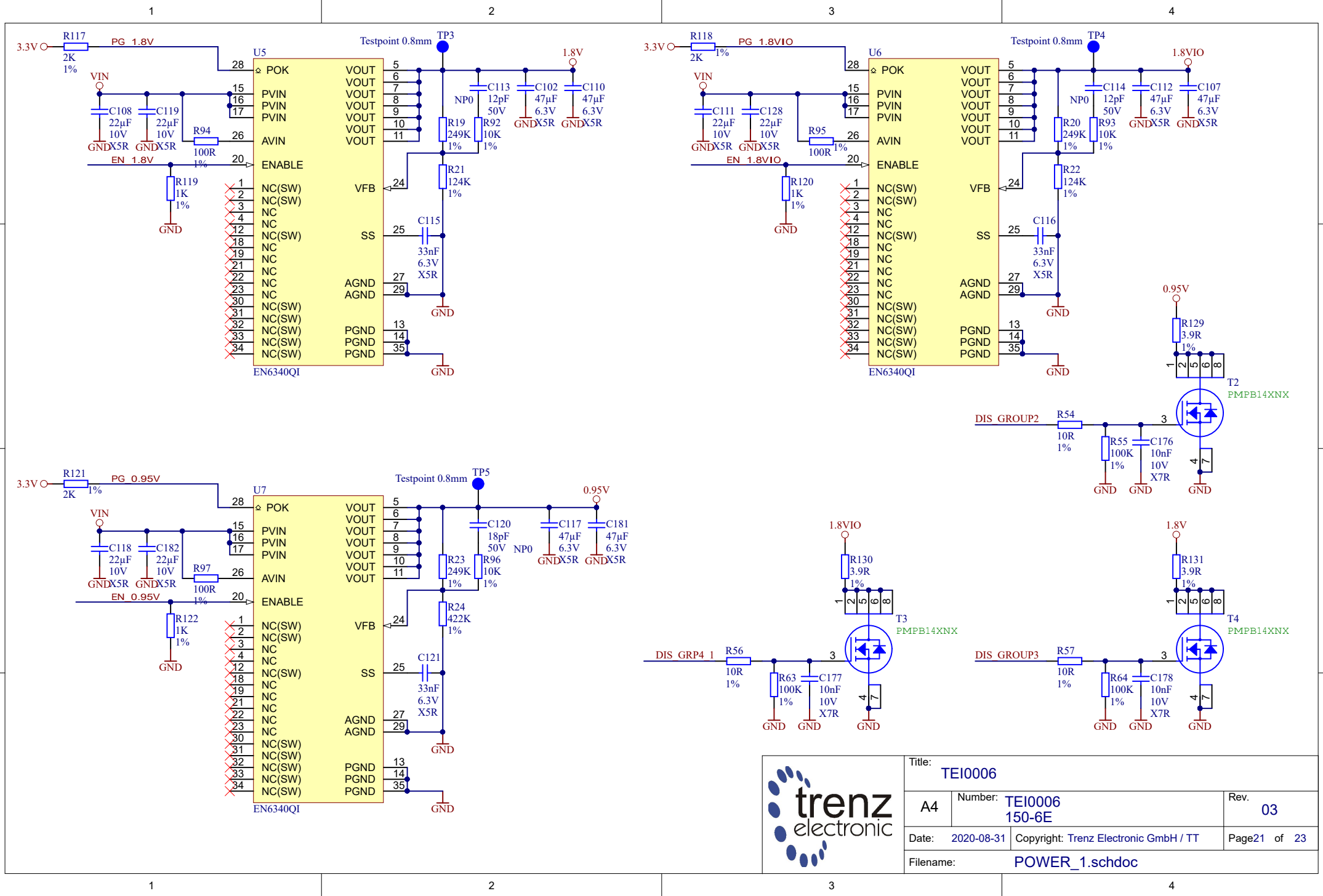
U4B

1	NC	NC	17
2	NC	NC	18
3	NC	NC	19
4	NC	NC	29
5	NC	NC	30
6	NC	NC(SW)	31
7	NC	NC(SW)	52
8	NC	NC	53
9	NC	NC	67
10	NC	NC	68
11	NC	NC(SW)	70
12	NC	NC(SW)	71
13	NC	NC	72
14	NC	NC	73
15	NC	NC	74
16	NC	NC	75
17	NC	NC	76

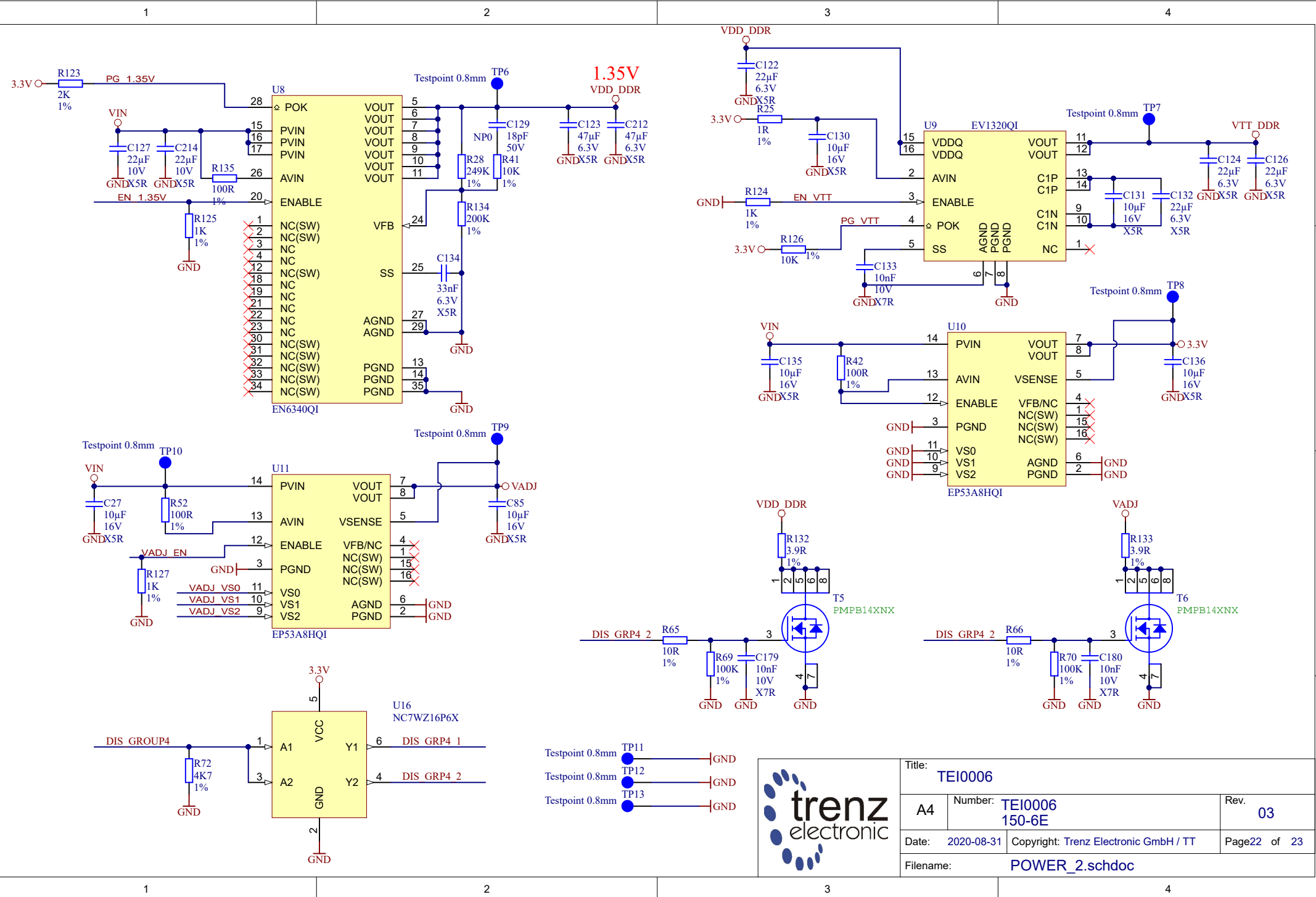
EN63A0QI



Title: TEI0006		
A4	Number: TEI0006 150-6E	Rev. 03
Date: 2020-08-31	Copyright: Trenz Electronic GmbH	Page 20 of 23
Filename: PWR_CORE.SchDoc		



Title: TEI0006		
A4	Number: TEI0006 150-6E	Rev. 03
Date: 2020-08-31	Copyright: Trenz Electronic GmbH / TT	Page 21 of 23
Filename: POWER_1.schdoc		



Title: TEI0006		
A4	Number: TEI0006 150-6E	Rev. 03
Date: 2020-08-31	Copyright: Trenz Electronic GmbH / TT	Page 22 of 23
Filename: POWER_2.schdoc		

1

2

3

4

VT: Initial Rev (07.2018)

Changes from REV01 to REV02:


- 1) VT: added MEMS 100MHz clock oscillator to CLKUSR
- 2) VT: remove CLKUSR from J2
- 3) VT: replaced Si510 to SiT8008/CM3225-4pad
- 4) VT: remove DEVCLRN from J2, added pull-up
- 5) VT: remove M10_nSTATUS from J2, added pull-up
- 6) VT: Added optional CryptoAuthentication chip U19 (DNP)

Changes from REV02 to REV03 (08.2020):

- 1) VT: fixed CLK connections (CLK's from FMC (on Baseboard) directly connected to GXBL1C bank)
- 2) VT: added heatsink
- 3) VT: full upd LIB
- 4) VT: added Legal Notices sheet

2020-12-23

- 5) VY: replaced not available transistors T1-T6 AON2240 to PMPB14XNX

	Title: TEI0006 - Revision changes		
	A4	Number: TEI0006 150-6E	Rev. 03
	Date: 2020-08-31	Copyright: Trenz Electronic GmbH	Page 23 of 23
	Filename: Revision_Changes.SchDoc		

1

2

3

4