

1

2

3

4

A

A

B

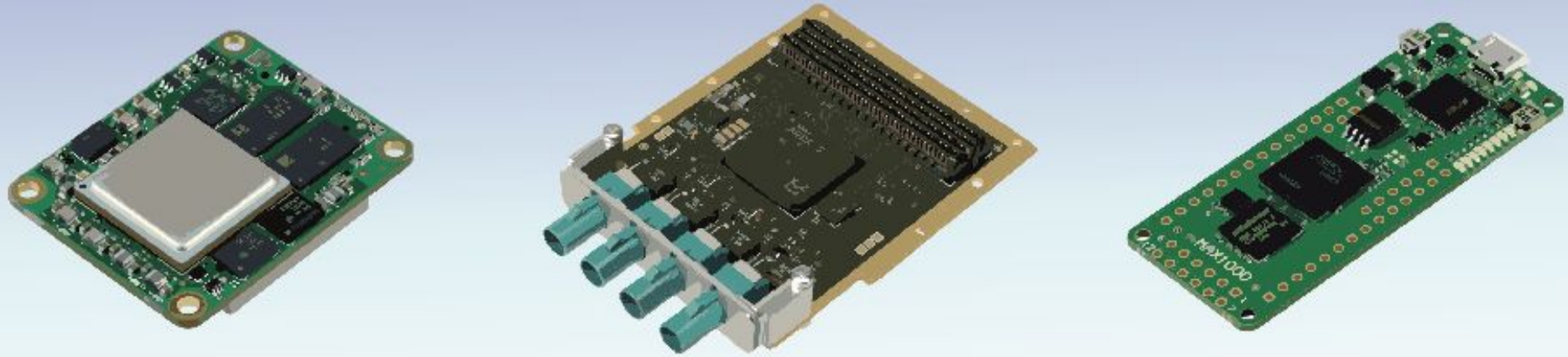
B

C

C

D


D



Regarding the usage of our schematics and alike documentation for Trenz module TEI0006.

Project is protected under copyright and we strongly and strictly prohibit the reverse engineering or recreation, even if the design is just adapted or modified. TEI0006 is protected under such right and in case of plagiarism we will have to do anything necessary in order to protect our assets.

Schematics and other handouts serve for informational purposes only!

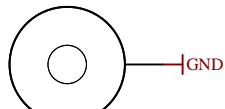
	Title: <b>TEI0006 - Legal Notices</b>		
	A4	Number: <b>TEI0006 220-5I</b>	Rev. <b>03</b>
	Date: <b>2020-08-31</b>	Copyright: <b>Trenz Electronic GmbH / TT</b>	Page <b>1</b> of <b>23</b>
	Filename: <b>Legal Notices Modules.SchDoc</b>		

1

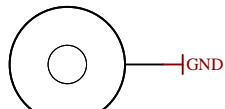
2

3

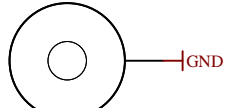
4



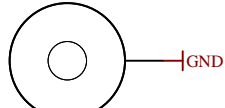
Mount.Hole 3.2mm für Unterlegscheibe



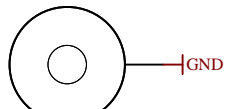
Mount.Hole 3.2mm für Unterlegscheibe



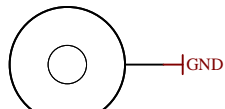
Mount.Hole 3.2mm für Unterlegscheibe



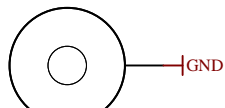
Mount.Hole 3.2mm für Unterlegscheibe



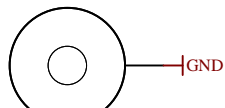
Mount.Hole 3.2mm für Unterlegscheibe



Mount.Hole 3.2mm für Unterlegscheibe

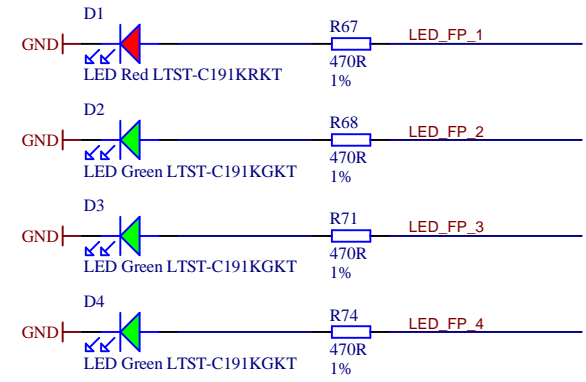
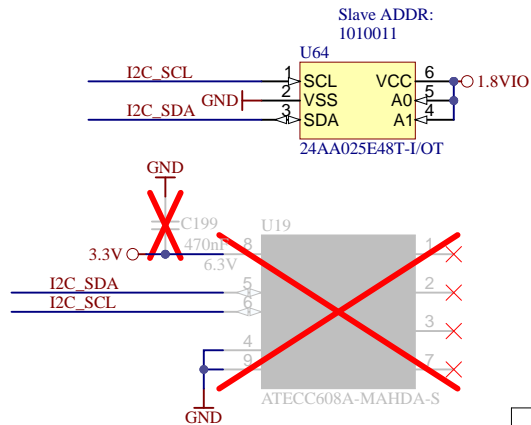
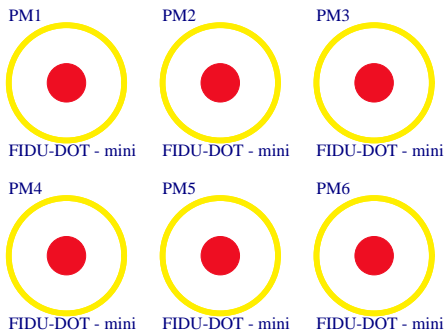


Mount.Hole 3.2mm für Unterlegscheibe



Mount.Hole 3.2mm für Unterlegscheibe

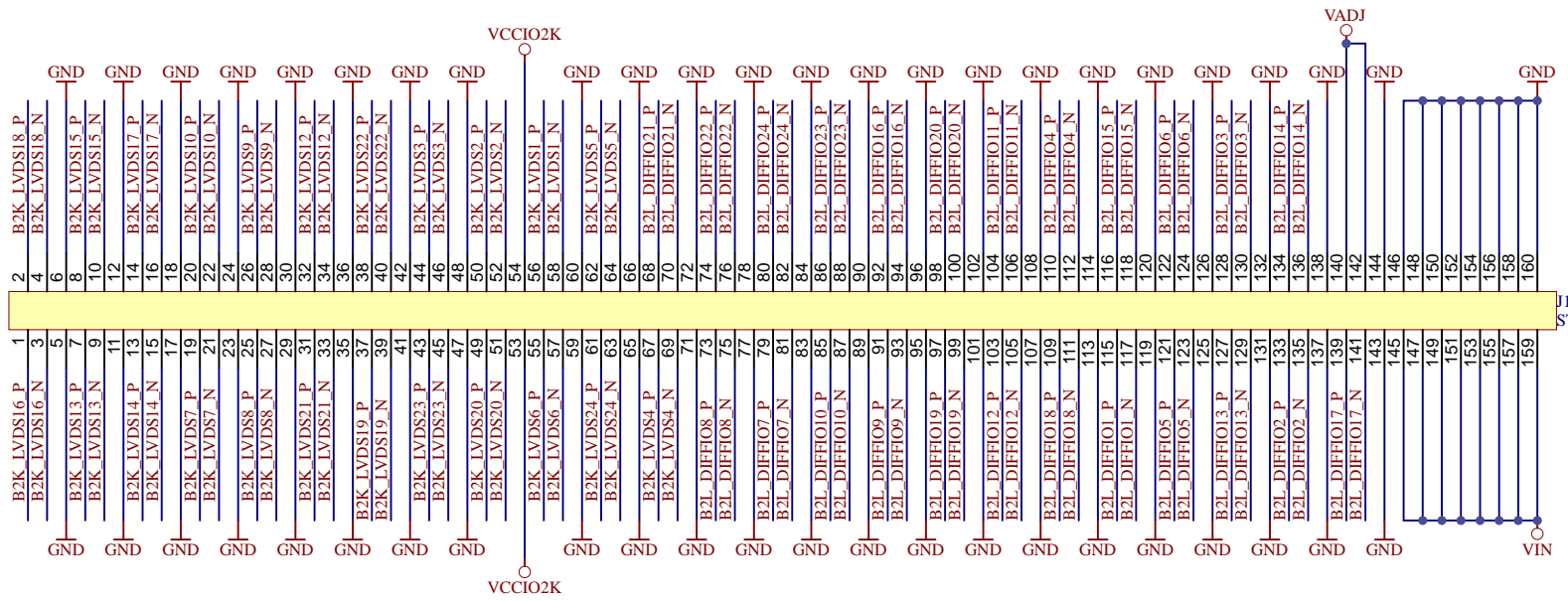
Serial  
Serialnummer 6,3 x 6,3mm



Assembly variant	220-51
Created by	VT
Modified by	
Modified at	2019-09-12
SVN Revision	14946 [Locally Modified]



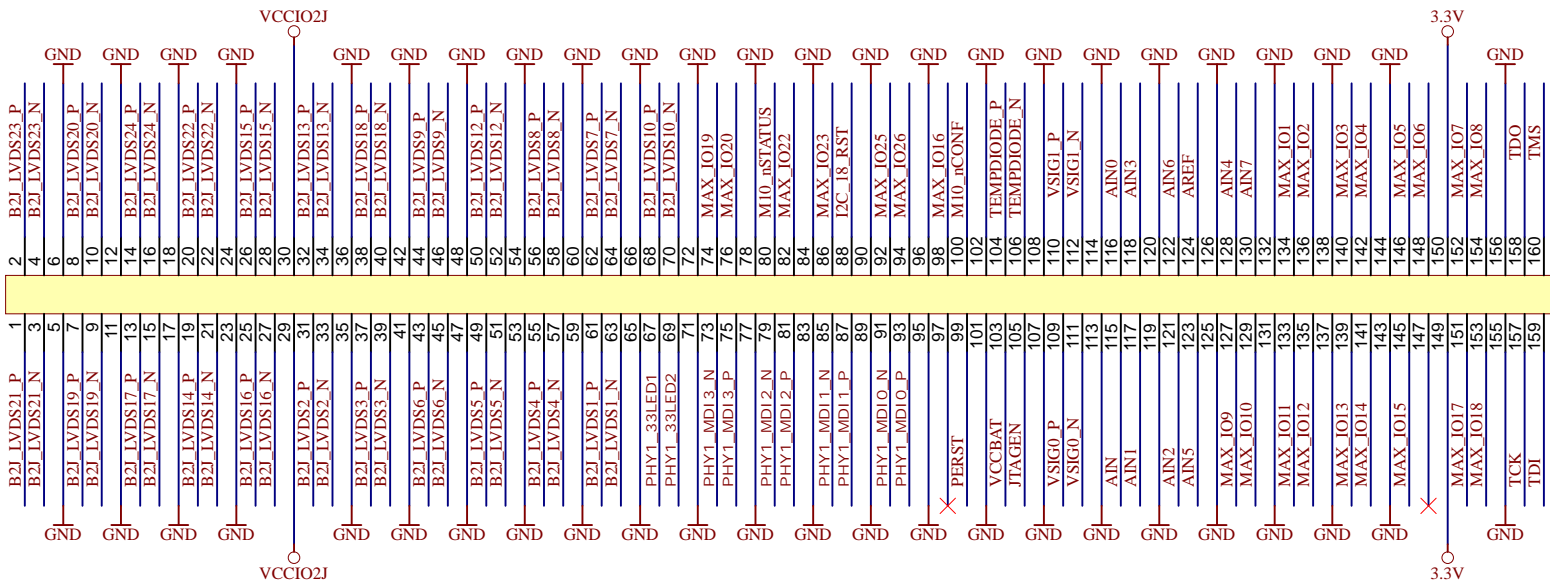
Title: TEI0006		
A4	Number: TEI0006 220-51	Rev. 03
Date: 2020-08-31	Copyright: Trenz Electronic GmbH / TT	Page2 of 23
Filename: TEI0006.SchDoc		



J1  
ST5-80-1.50-L-D-P-TR



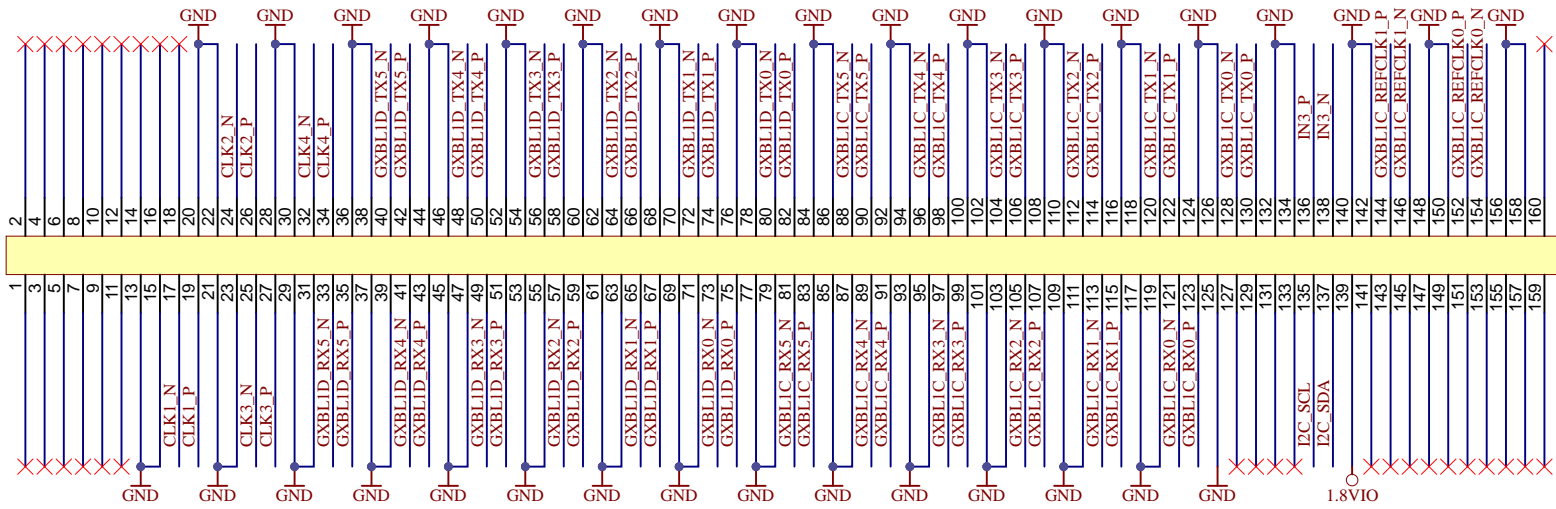
Title: <b>TEI0006</b>		
A4	Number: <b>TEI0006 220-51</b>	Rev. <b>03</b>
Date: <b>2020-08-31</b>	Copyright: <b>Trenz Electronic GmbH / TT</b>	Page <b>3</b> of <b>23</b>
Filename: <b>J1.SchDoc</b>		




J2  
ST5-80-1.50-L-D-P-TR



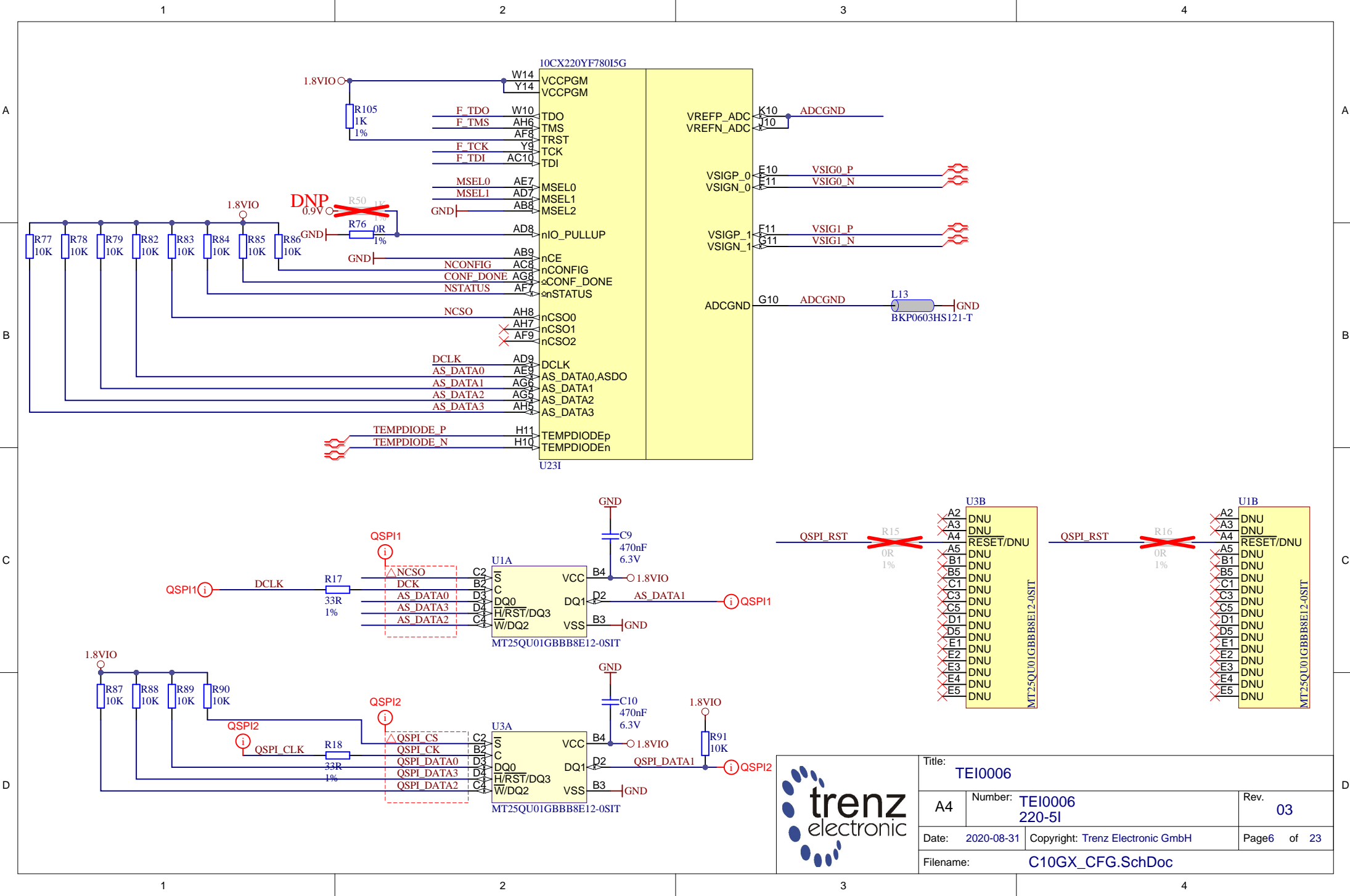
Title: <b>TEI0006</b>		
A4	Number: <b>TEI0006 220-51</b>	Rev. <b>03</b>
Date: <b>2020-08-31</b>	Copyright: <b>Trenz Electronic GmbH / TT</b>	Page <b>4</b> of <b>23</b>
Filename: <b>J2.SchDoc</b>		



J3  
ST5-80-1.50-L-D-P-TR



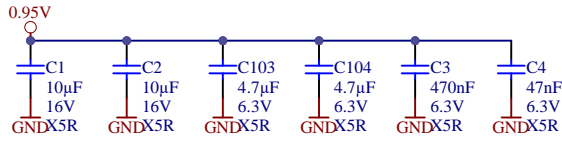
Title: <b>TEI0006</b>		
A4	Number: <b>TEI0006 220-5I</b>	Rev. <b>03</b>
Date: <b>2020-08-31</b>	Copyright: <b>Trenz Electronic GmbH / TT</b>	Page <b>5</b> of <b>23</b>
Filename: <b>J3.SchDoc</b>		



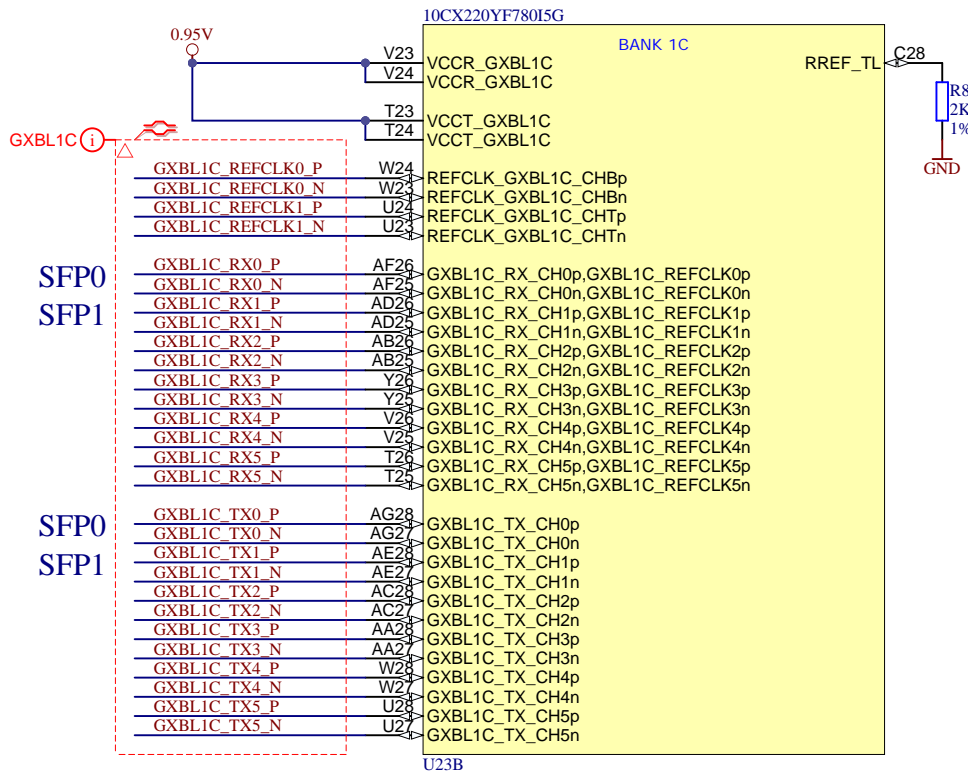
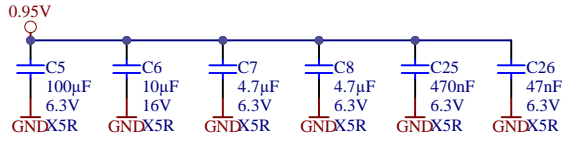

Title: TEI0006		
A4	Number: TEI0006 220-51	Rev. 03
Date: 2020-08-31	Copyright: Trenz Electronic GmbH	Page 6 of 23
Filename: C10GX_CFG.SchDoc		



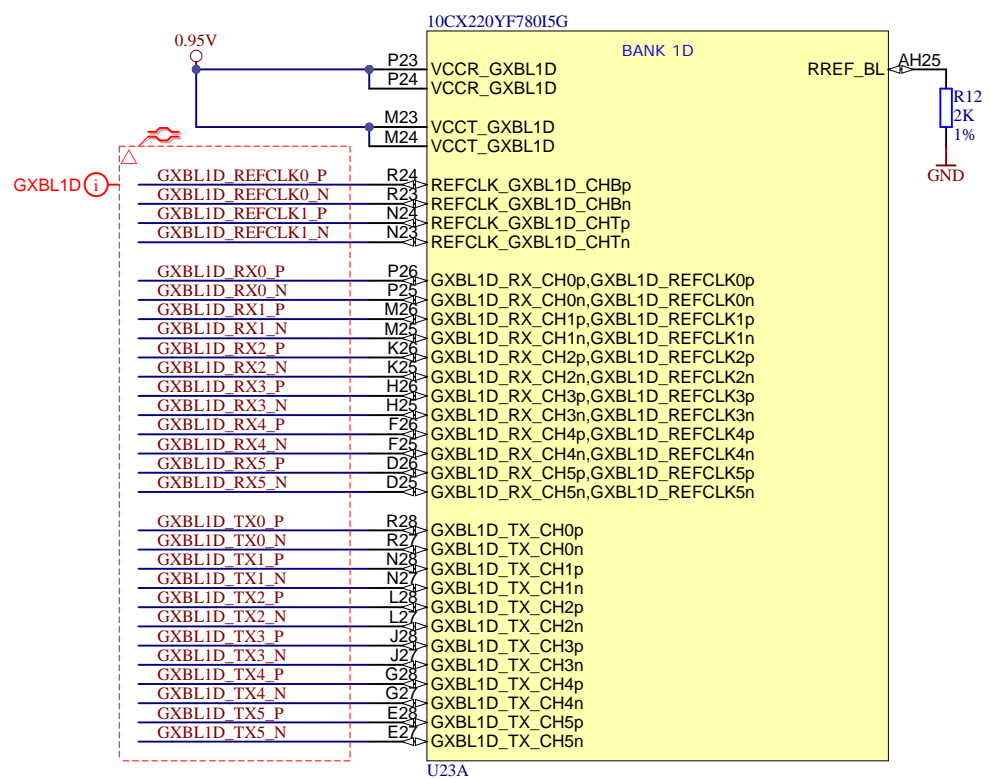
Placed at VCCT\_GXB pins




Placed at VCCR\_GXB pins

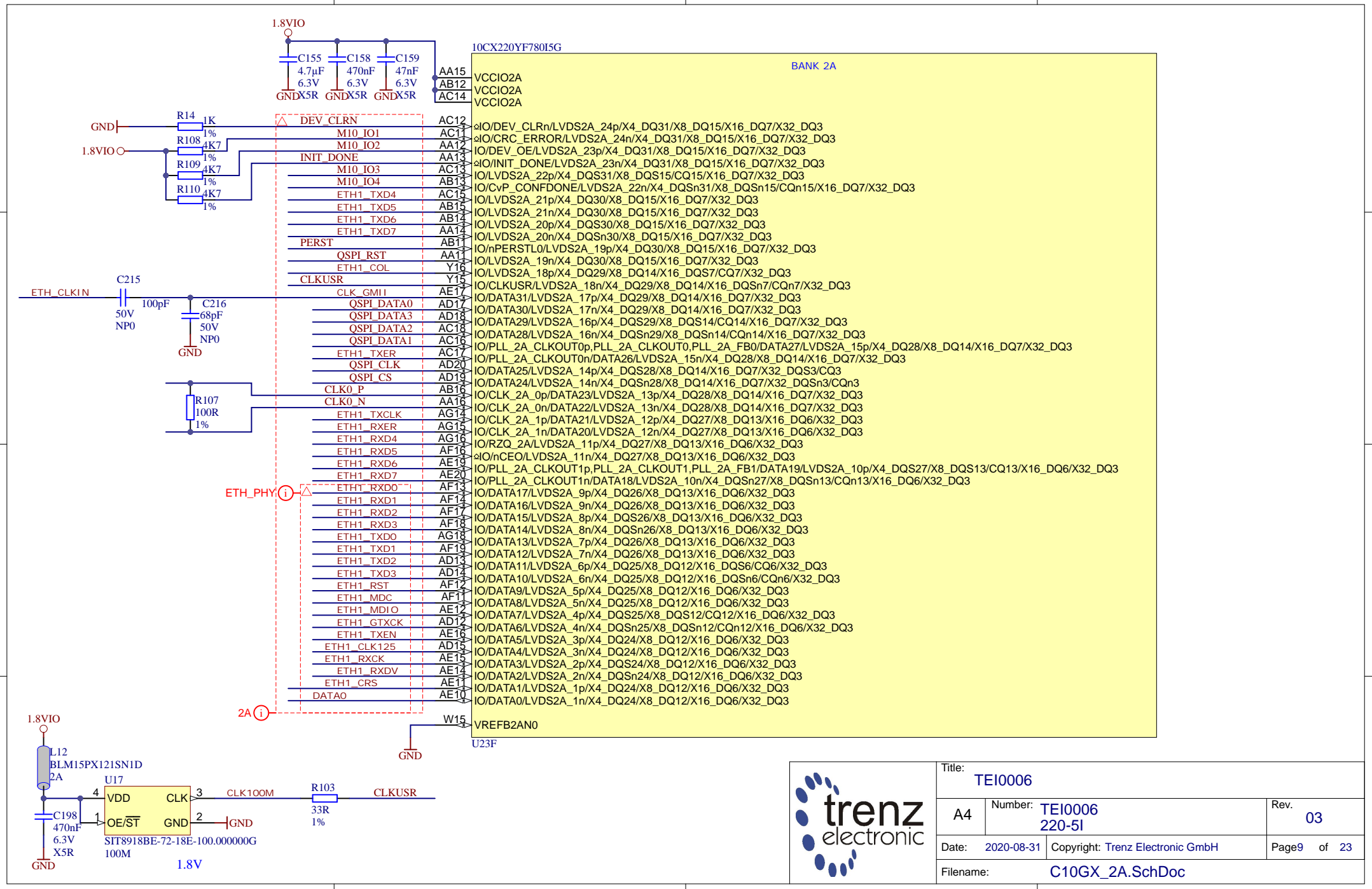



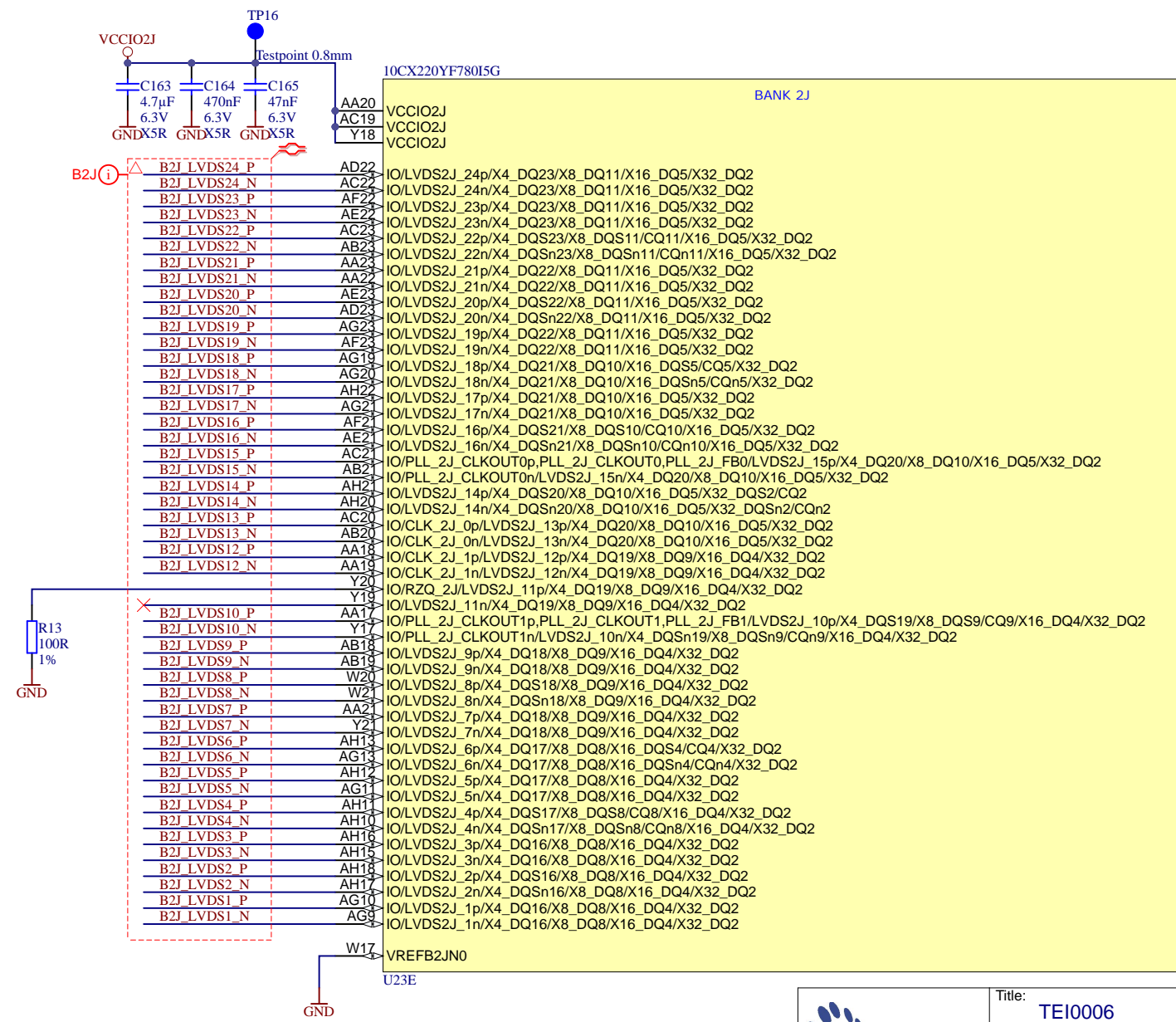
Title: <b>TEI0006</b>		
A4	Number: <b>TEI0006 220-5I</b>	Rev. <b>03</b>
Date: <b>2020-08-31</b>	Copyright: <b>Trenz Electronic GmbH</b>	Page <b>7</b> of <b>23</b>
Filename: <b>C10GX_1C.SchDoc</b>		



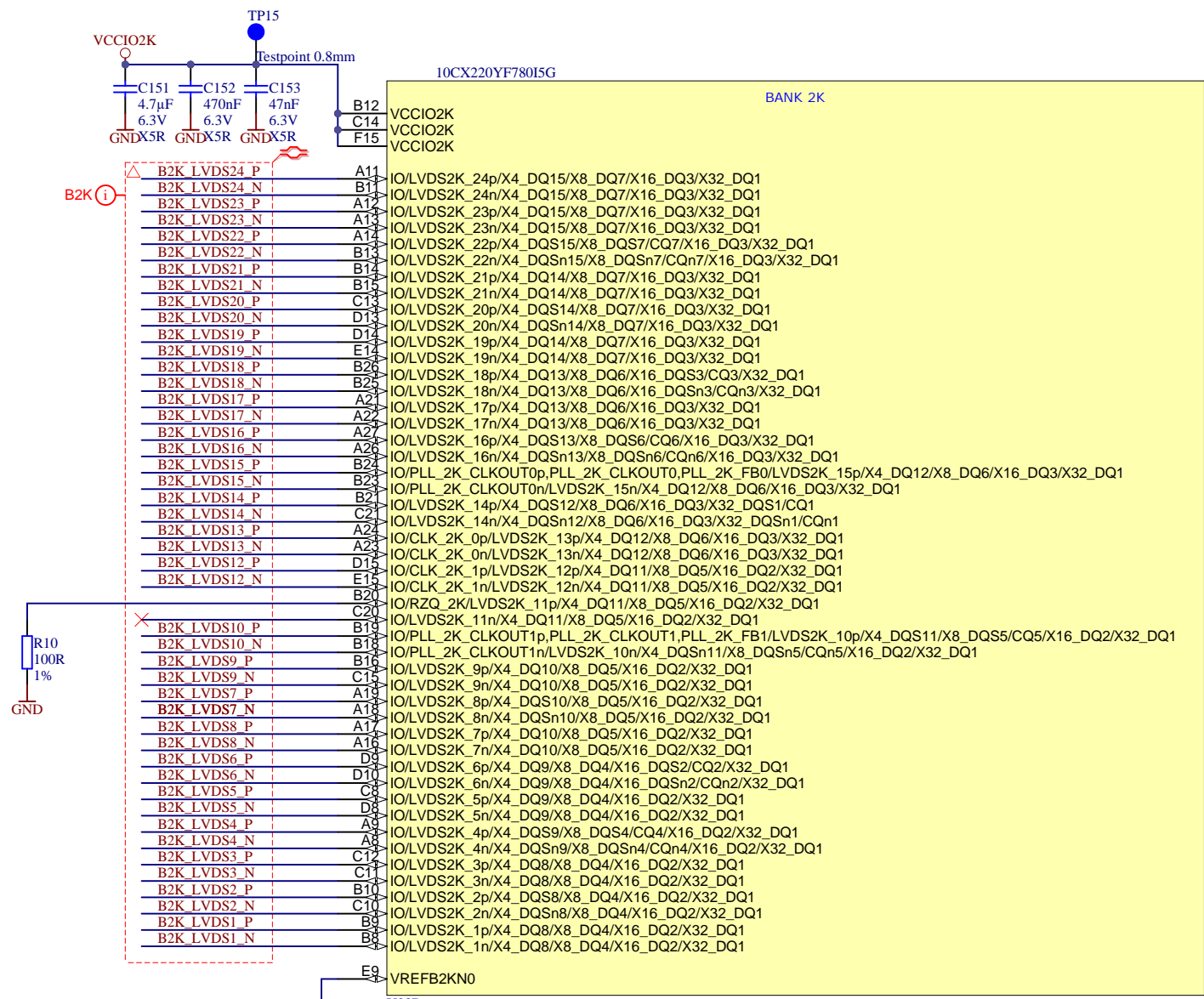
	Title: <b>TEI0006</b>		
	A4	Number: <b>TEI0006 220-5I</b>	Rev. <b>03</b>
	Date: <b>2020-08-31</b>	Copyright: <b>Trenz Electronic GmbH</b>	
	Page <b>8</b> of <b>23</b>		
Filename: <b>C10GX_1D.SchDoc</b>			



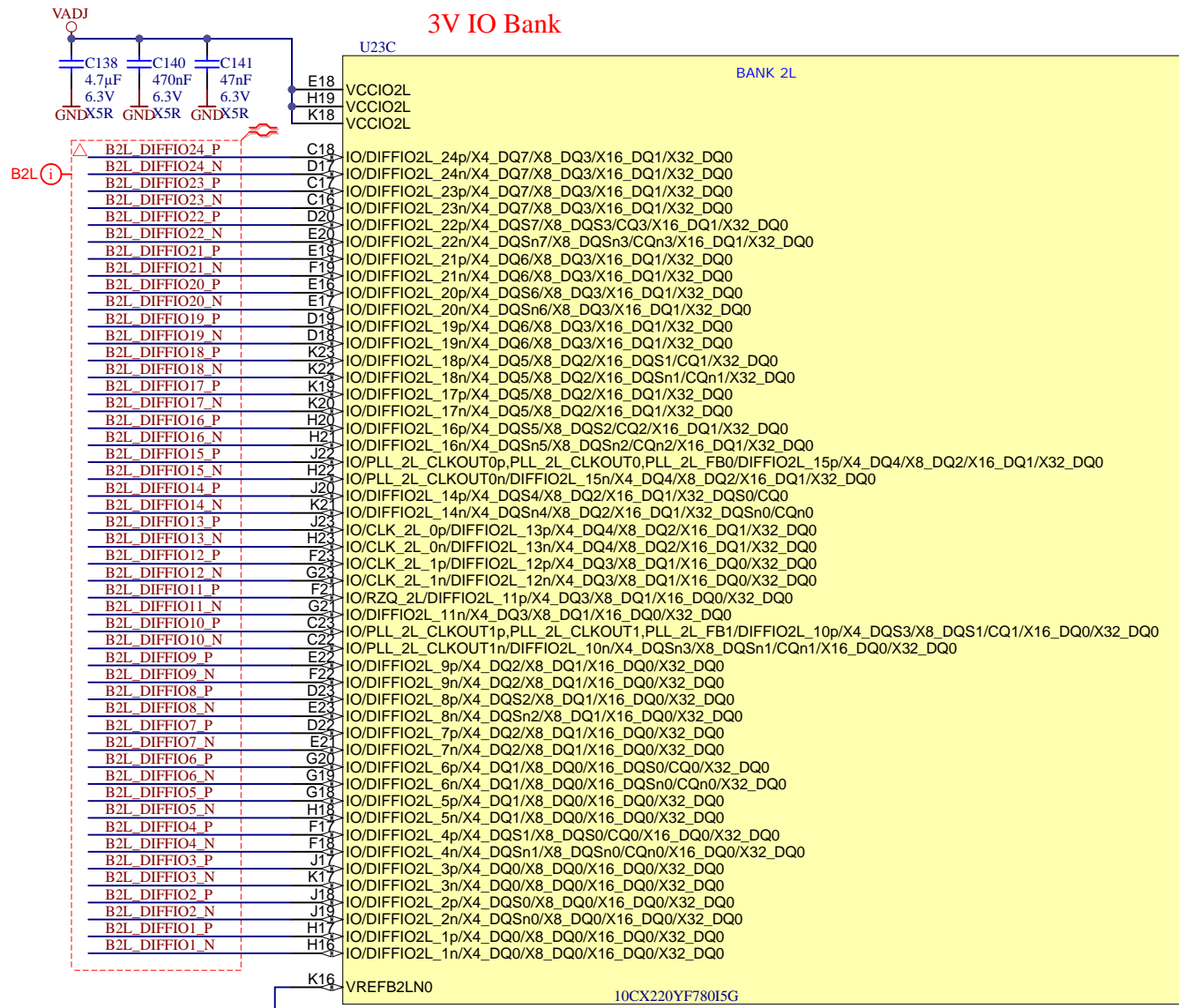




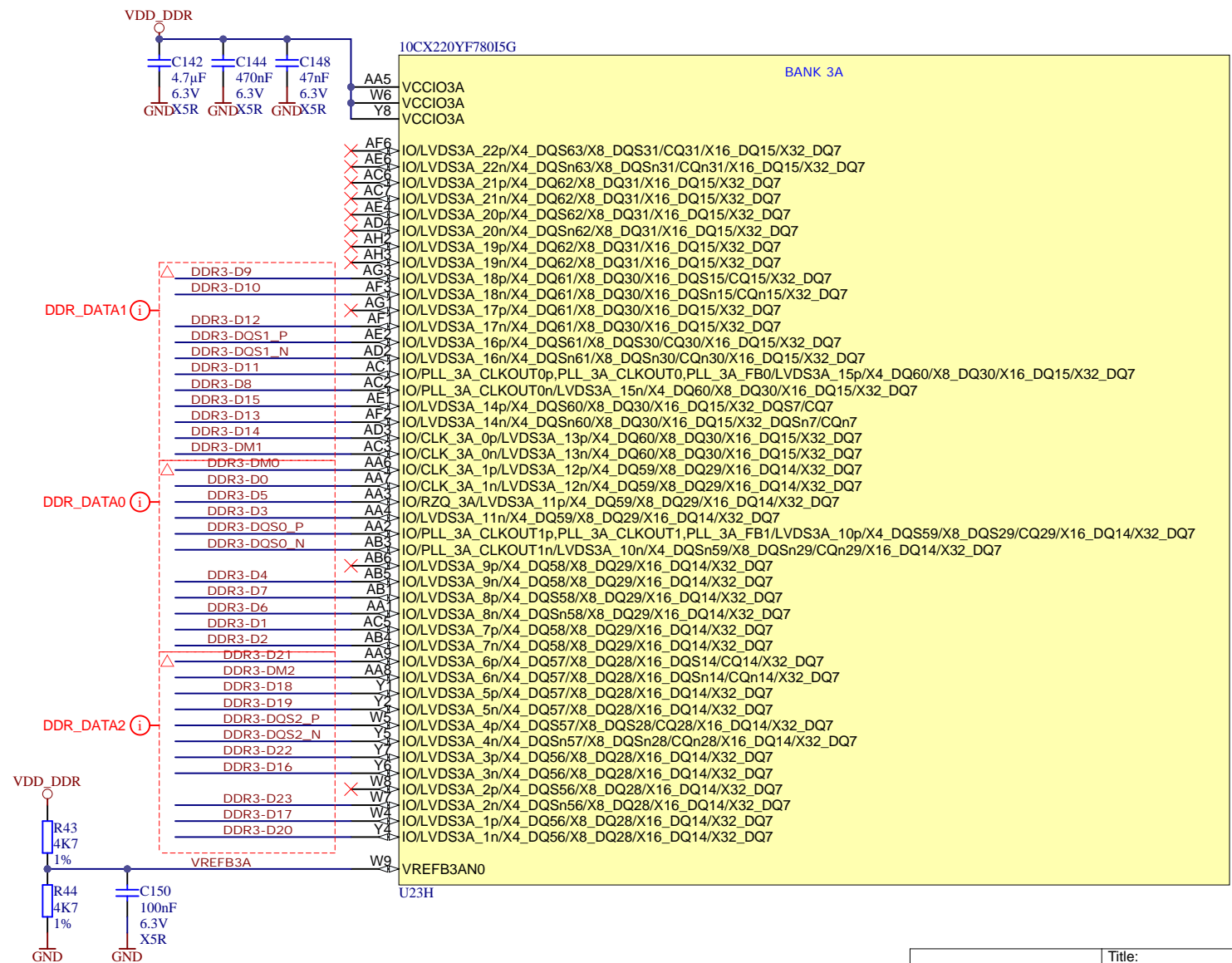
Title: TEI0006		
A4	Number: TEI0006 220-5I	Rev. 03
Date: 2020-08-31	Copyright: Trenz Electronic GmbH	Page 10 of 23
Filename: C10GX_2J.SchDoc		



Title: TEI0006		
A4	Number: TEI0006 220-51	Rev. 03
Date: 2020-08-31	Copyright: Trenz Electronic GmbH	Page 11 of 23
Filename: C10GX_2K.SchDoc		

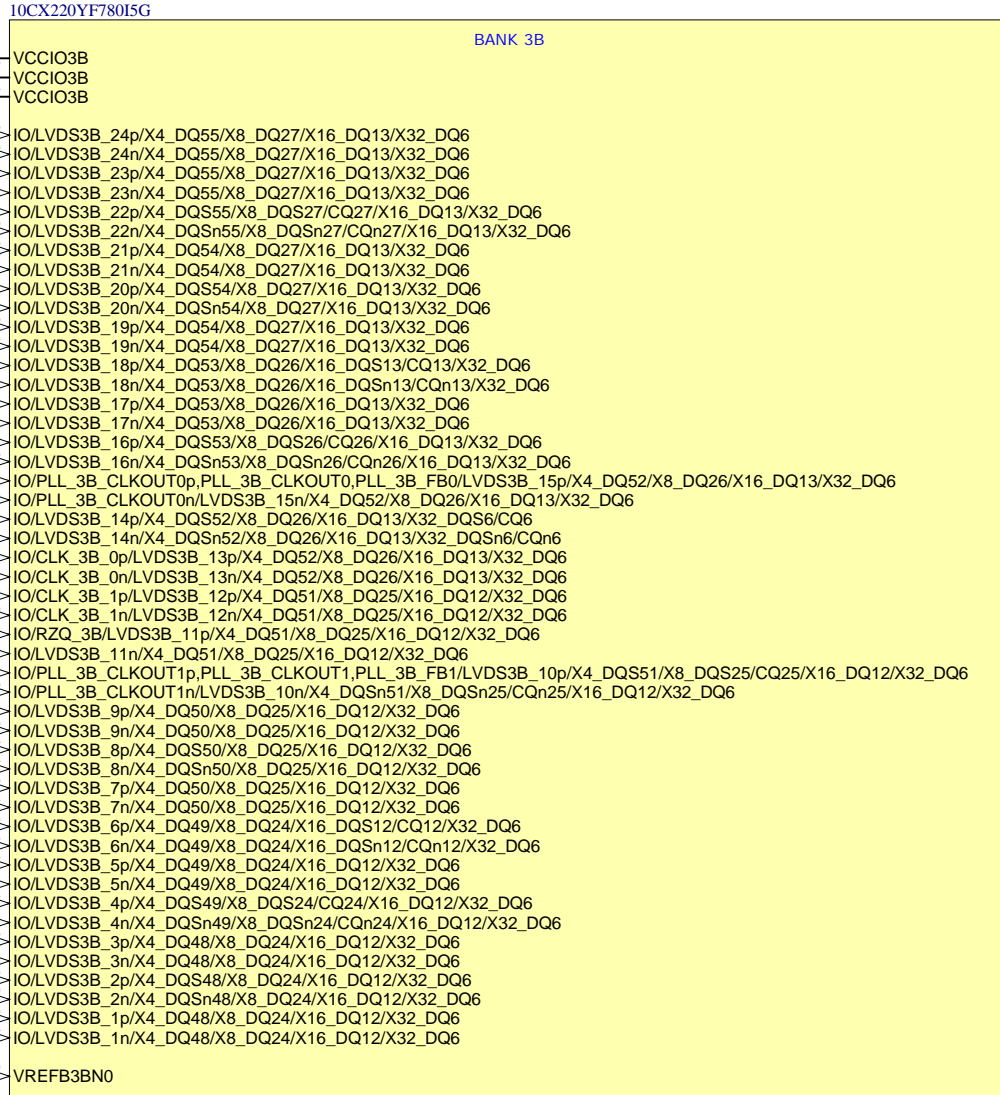
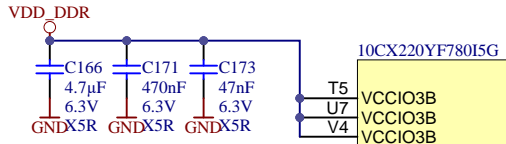


Title: TEI0006		
A4	Number: TEI0006 220-5I	Rev. 03
Date: 2020-08-31	Copyright: Trenz Electronic GmbH	Page 12 of 23
Filename: C10GX_2L.SchDoc		



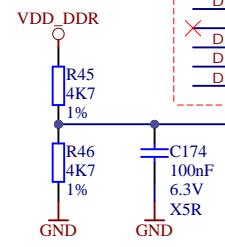
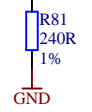
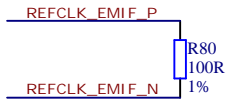

Title: <b>TEI0006</b>		
A4	Number: <b>TEI0006 220-51</b>	Rev. <b>03</b>
Date: <b>2020-08-31</b>	Copyright: <b>Trenz Electronic GmbH</b>	Page <b>13</b> of <b>23</b>
Filename: <b>C10GX_3A.SchDoc</b>		





DDR\_ADDR\_CMD (i)

DDR\_DATA3 (i)



Title: TEI0006		
A4	Number: TEI0006 220-51	Rev. 03
Date: 2020-08-31	Copyright: Trenz Electronic GmbH	Page 14 of 23
Filename: C10GX_3B.SchDoc		

A

B

C

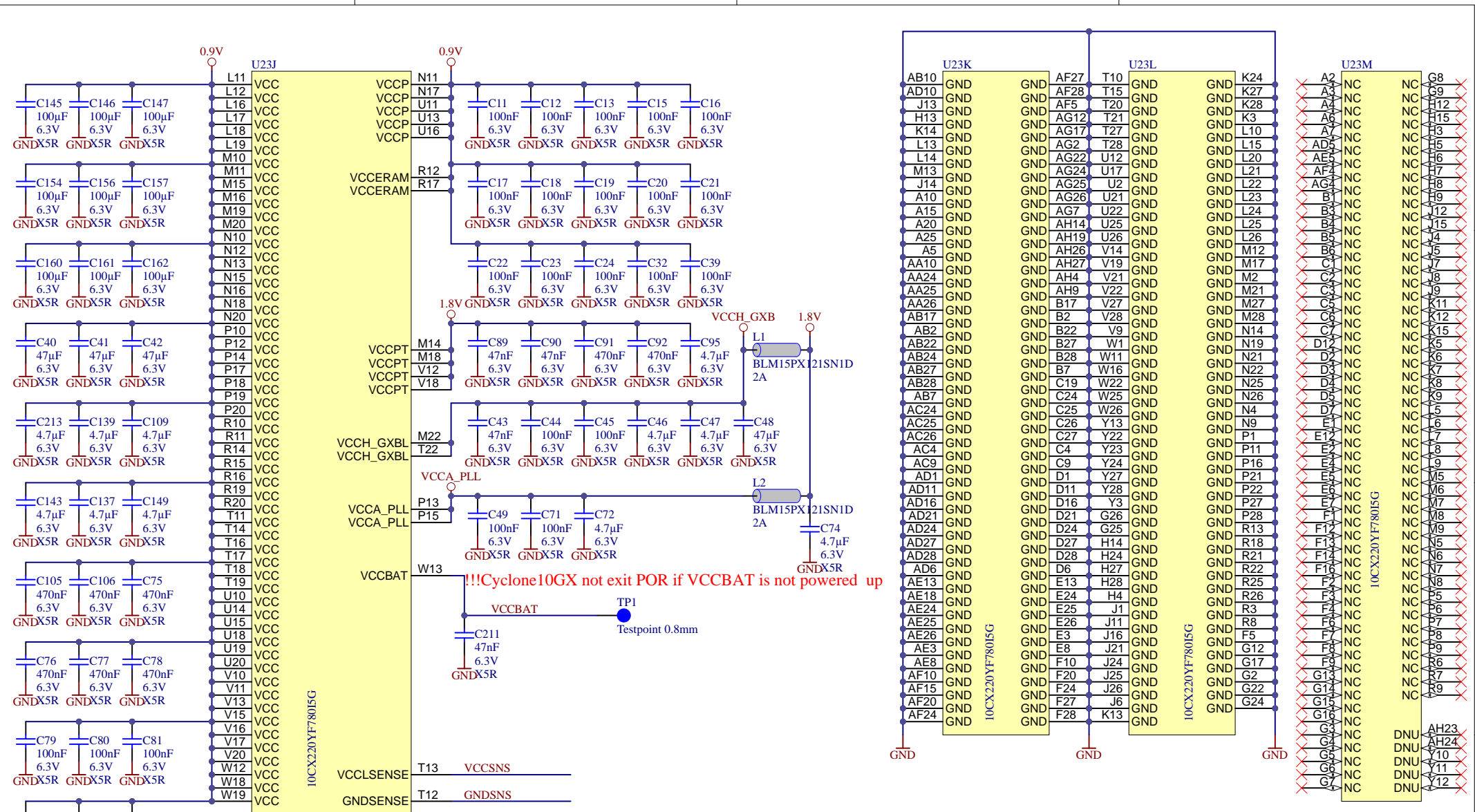
D

A

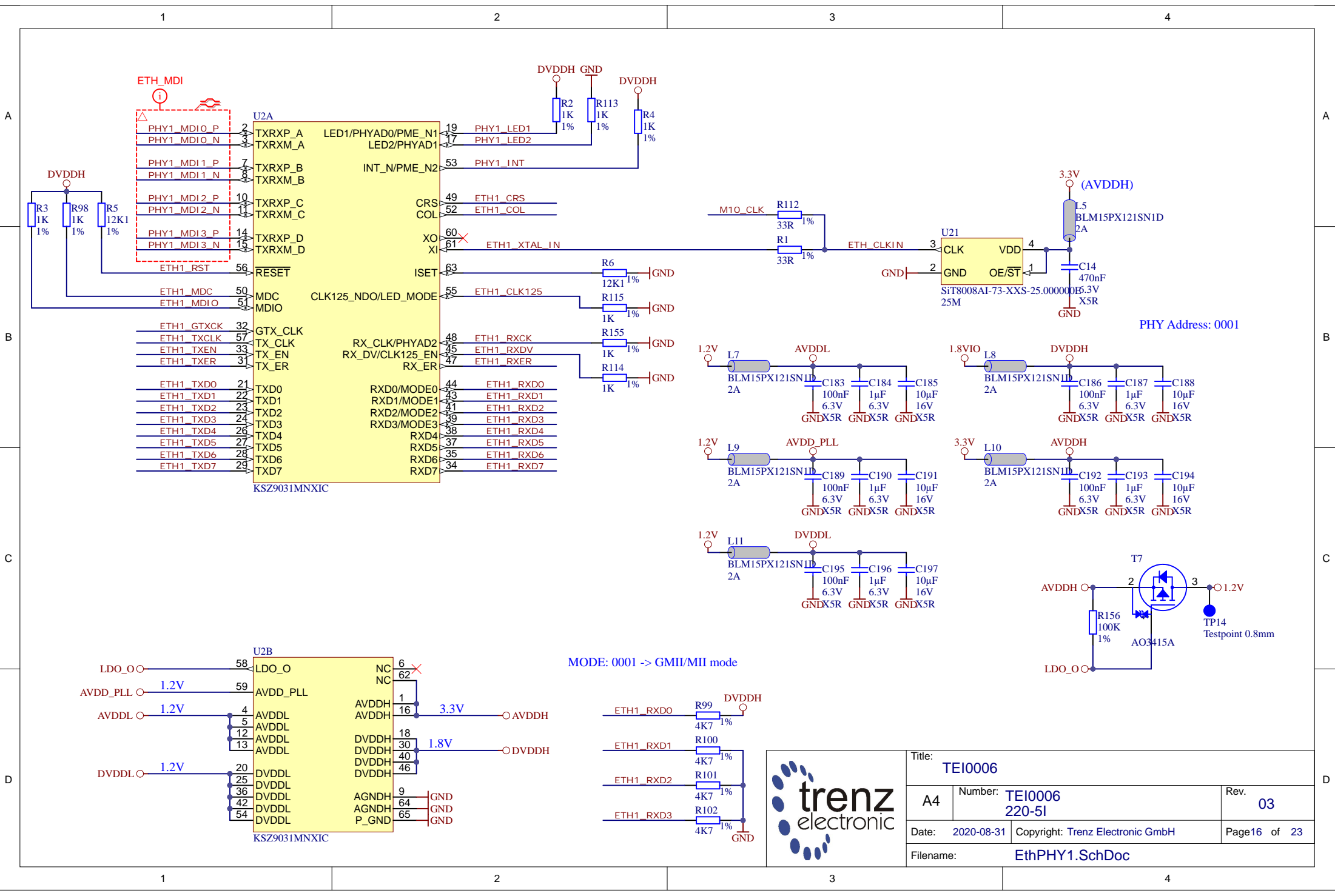
B

C

D



Title: TEI0006		
A4	Number: TEI0006 220-51	Rev. 03
Date: 2020-08-31	Copyright: Trenz Electronic GmbH	Page 15 of 23
Filename: C10GX_PWR.SchDoc		



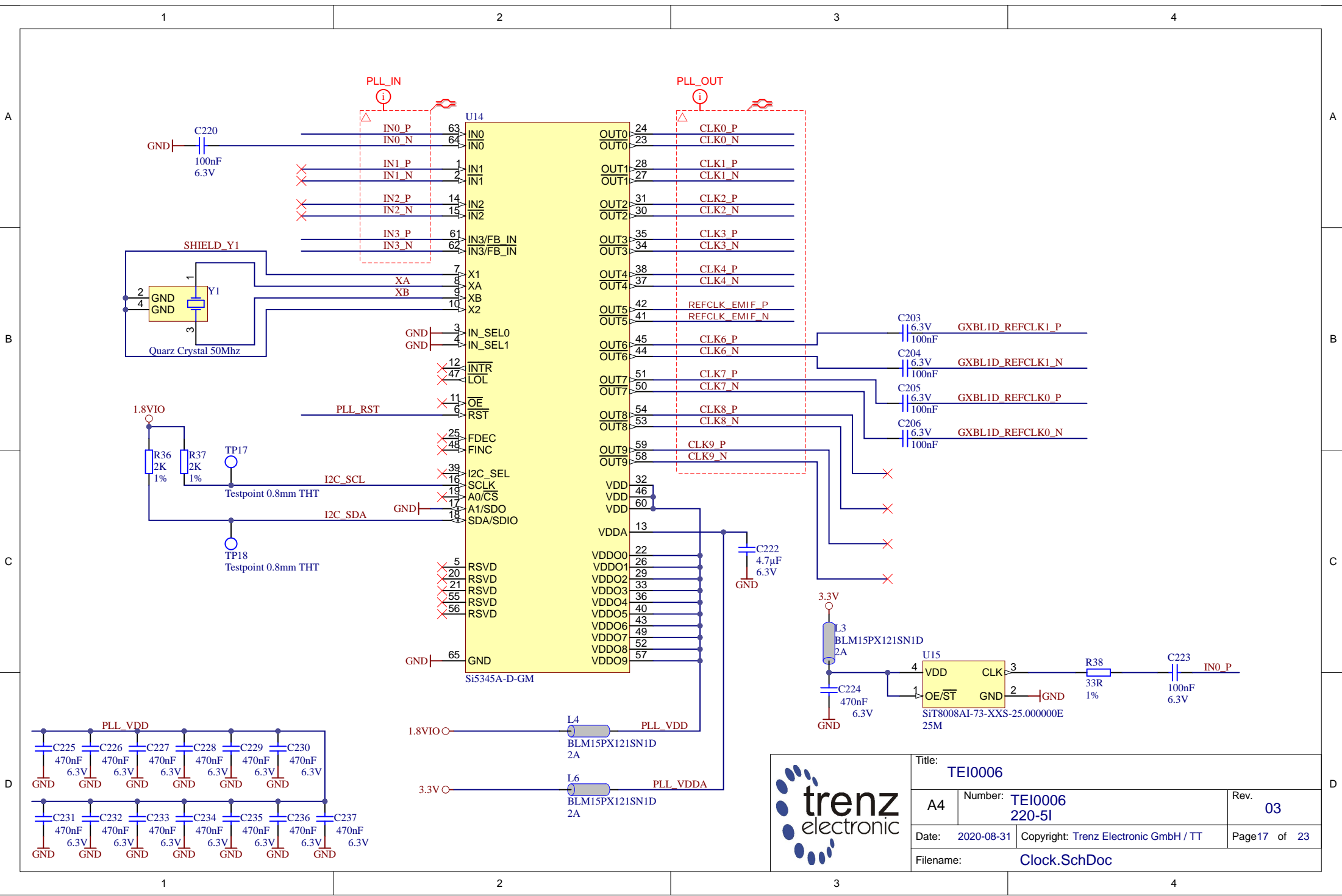
PHY Address: 0001


MODE: 0001 -> GMII/MII mode

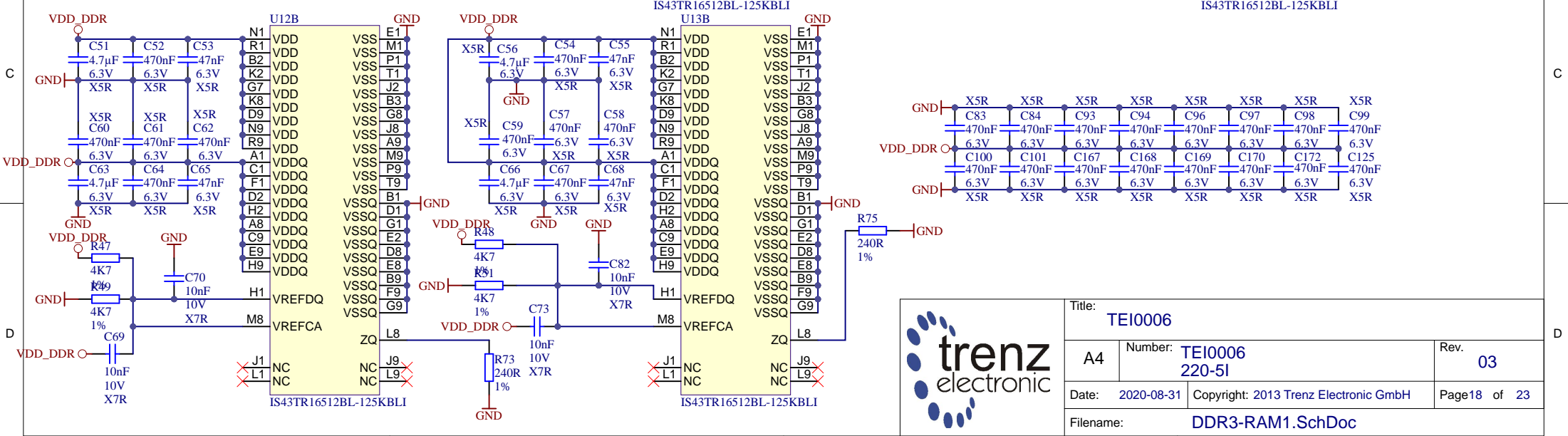
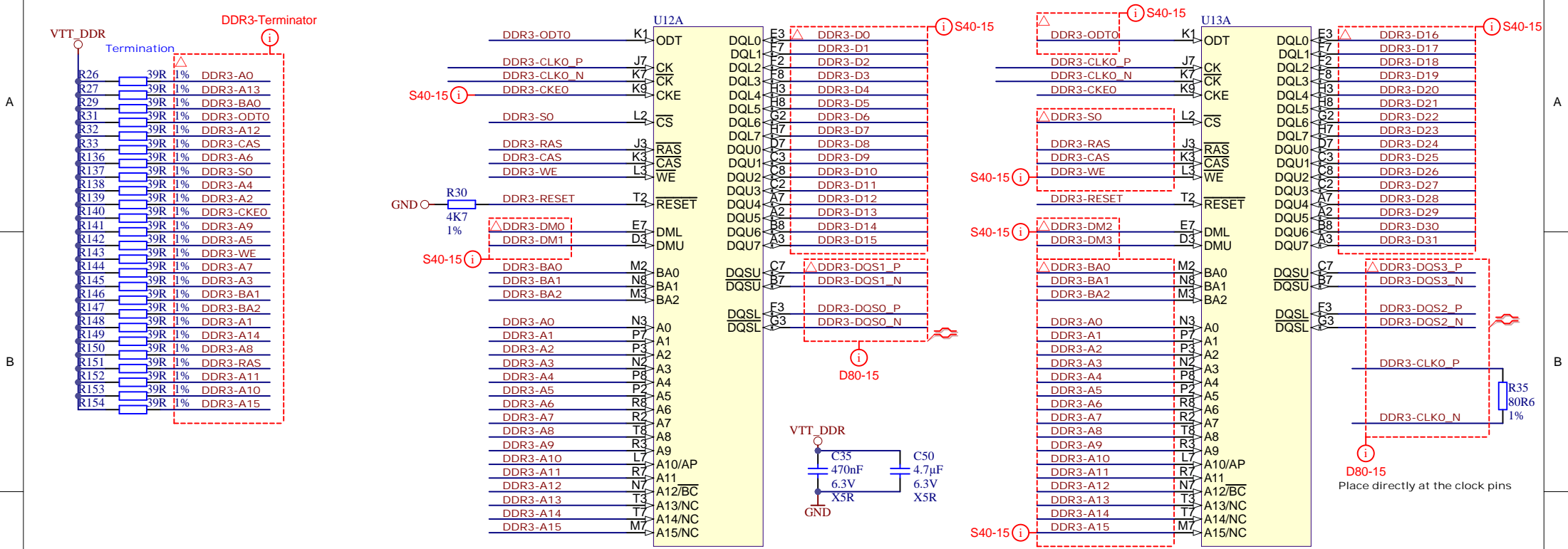


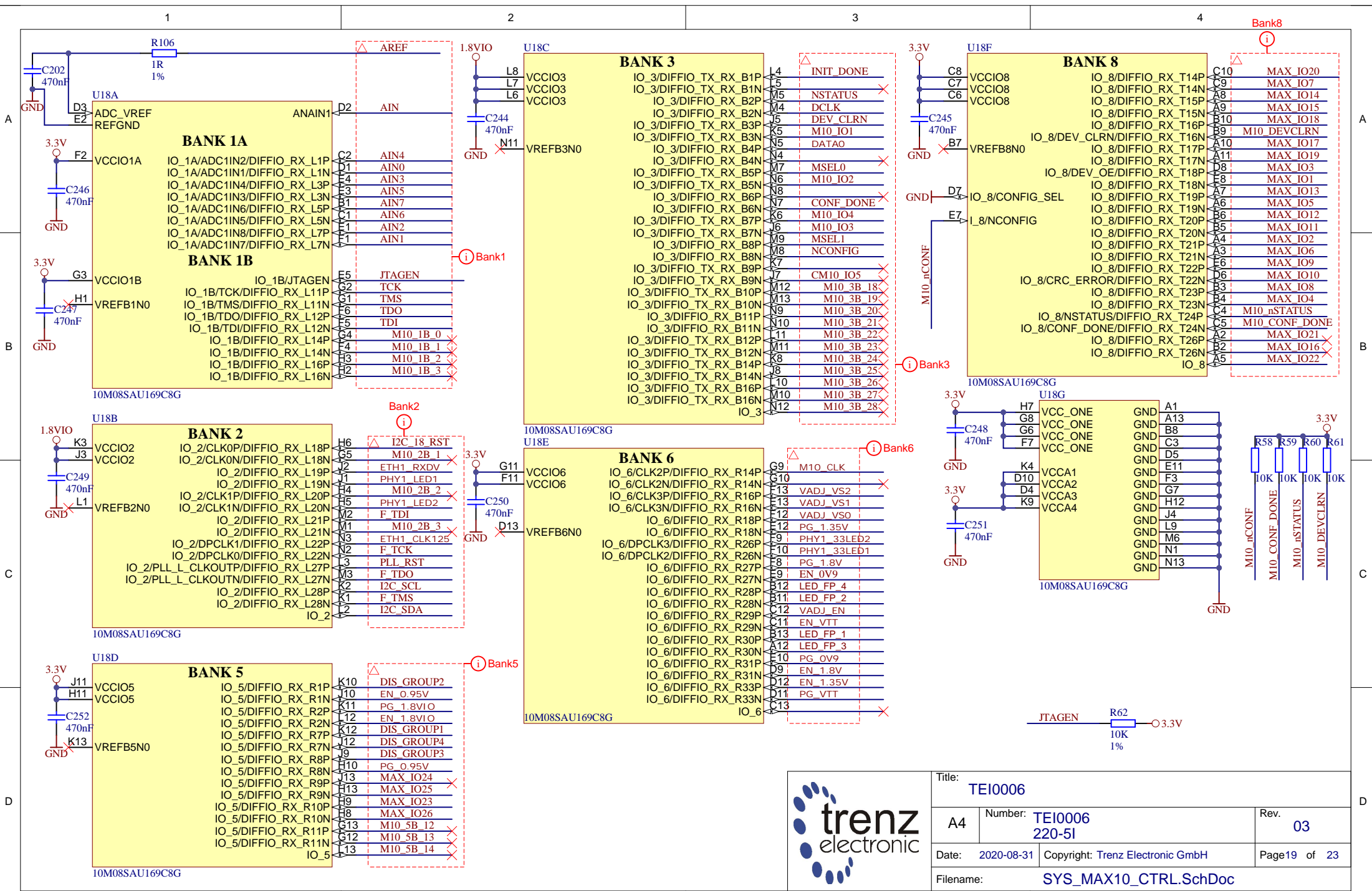
Title: TEI0006		
A4	Number: TEI0006 220-51	Rev. 03
Date: 2020-08-31	Copyright: Trenz Electronic GmbH	
Page 16 of 23		
Filename: EthPHY1.SchDoc		



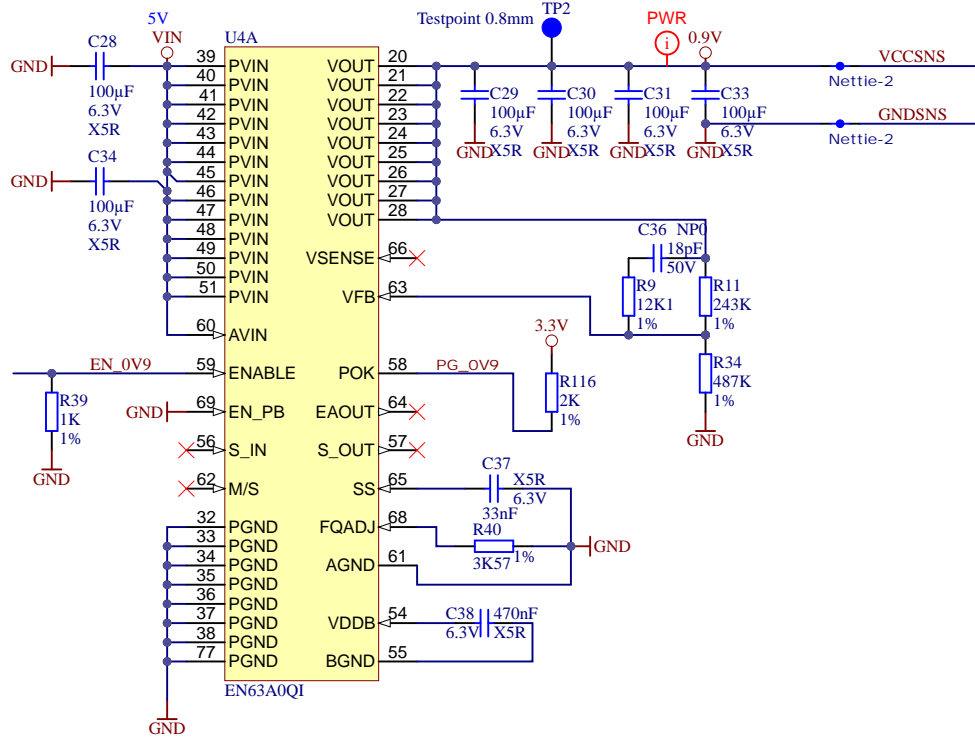


			Title: <b>TEI0006</b>	
			A4	Number: <b>TEI0006 220-5I</b>
Date: 2020-08-31		Copyright: Trenz Electronic GmbH / TT		Rev. <b>03</b>
Filename: <b>Clock.SchDoc</b>			Page 17 of 23	



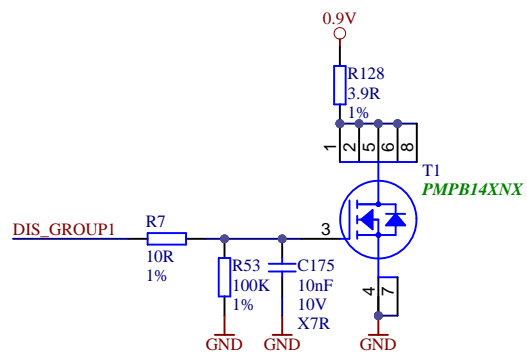


Title: <b>TEI0006</b>		
A4	Number: <b>TEI0006 220-51</b>	Rev. <b>03</b>
Date: <b>2020-08-31</b>	Copyright: <b>Trenz Electronic GmbH</b>	Page <b>19</b> of <b>23</b>
Filename: <b>SYS_MAX10_CTRL.SchDoc</b>		

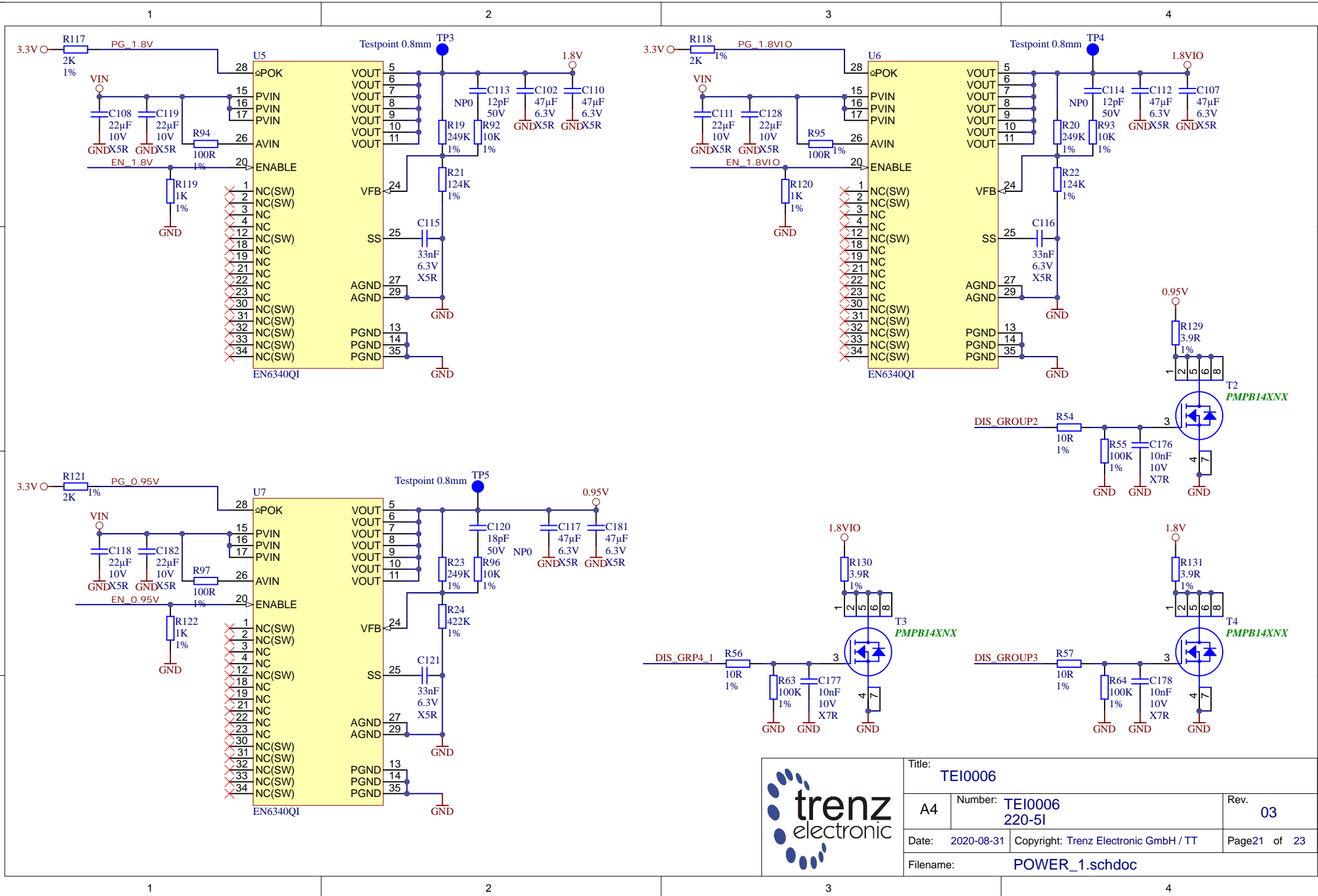


U4B		
1	NC	17
2	NC	18
3	NC	19
4	NC	29
5	NC	30
6	NC(SW)	31
7	NC(SW)	52
8	NC	53
9	NC	67
10	NC	70
11	NC(SW)	71
12	NC(SW)	72
13	NC	73
14	NC	74
15	NC	75
16	NC	76

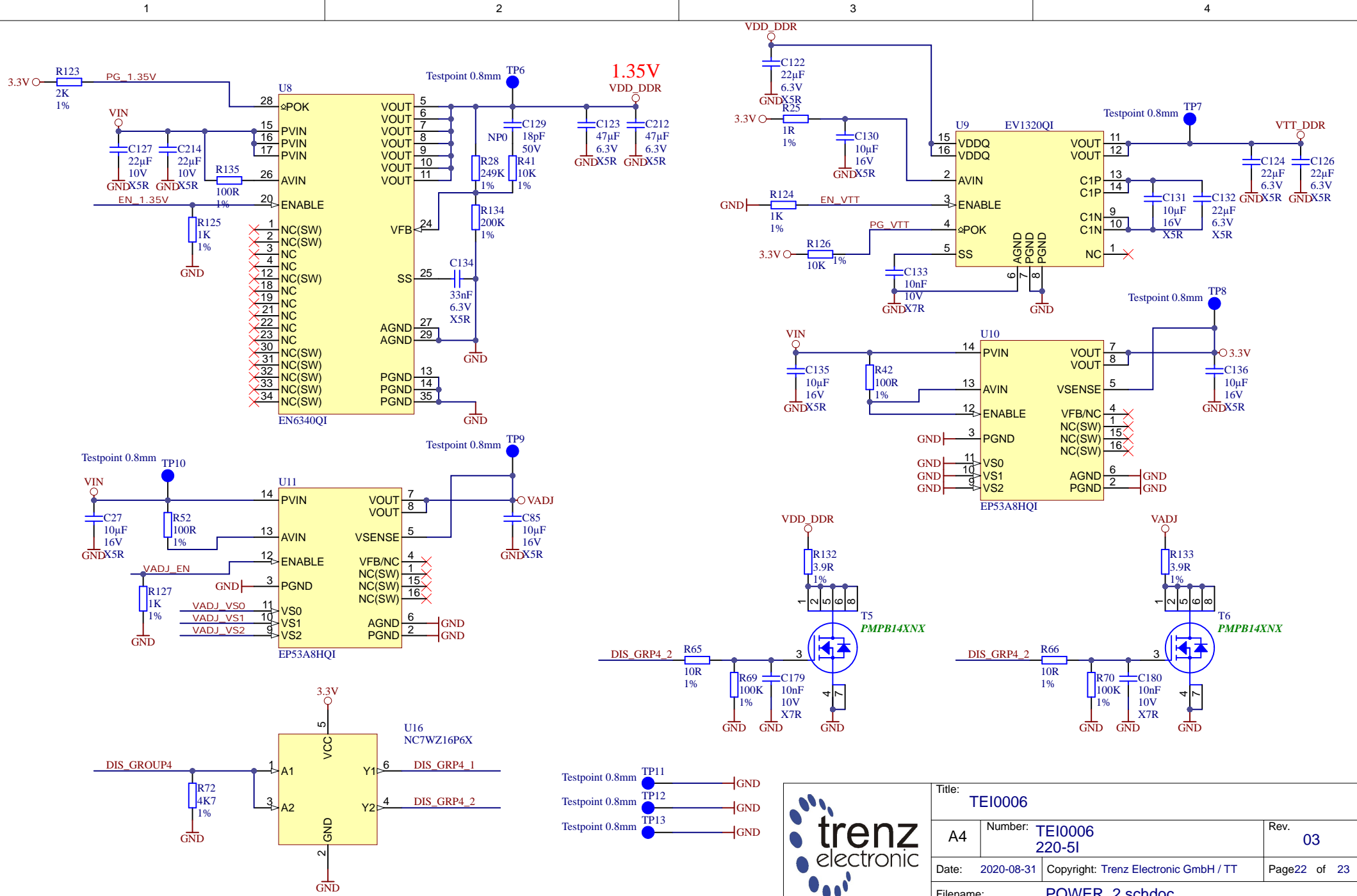
EN63A0QI



Title: TEI0006		
A4	Number: TEI0006 220-51	Rev. 03
Date: 2020-08-31	Copyright: Trenz Electronic GmbH	Page 20 of 23
Filename: PWR_CORE.SchDoc		



Title: TEI0006		
A4	Number: TEI0006 220-51	Rev. 03
Date: 2020-08-31	Copyright: Trenz Electronic GmbH / TT	Page 21 of 23
Filename: POWER_1.schdoc		



- Testpoint 0.8mm TP11 — GND
- Testpoint 0.8mm TP12 — GND
- Testpoint 0.8mm TP13 — GND



Title: TEI0006		
A4	Number: TEI0006 220-51	Rev. 03
Date: 2020-08-31	Copyright: Trenz Electronic GmbH / TT	
Page 22		of 23
Filename: POWER_2.schdoc		

VT: Initial Rev (07.2018)

Changes from REV01 to REV02:


- 1) VT: added MEMS 100MHz clock oscillator to CLKUSR
- 2) VT: remove CLKUSR from J2
- 3) VT: replaced Si510 to SiT8008/CM3225-4pad
- 4) VT: remove DEVCLRN from J2, added pull-up
- 5) VT: remove M10\_nSTATUS from J2, added pull-up
- 6) VT: Added optional CryptoAuthentication chip U19 (DNP)

Changes from REV02 to REV03 (08.2020):

- 1) VT: fixed CLK connections ( CLK's from FMC (on Baseboard) directly connected to GXBL1C bank)
- 2) VT: added heatsink
- 3) VT: full upd LIB
- 4) VT: added Legal Notices sheet

2020-12-23

- 5) VY: replaced not available transistors T1-T6 AON2240 to PMPB14XNX

	Title: <b>TEI0006 - Revision changes</b>		
	A4	Number: <b>TEI0006 220-5I</b>	Rev. <b>03</b>
	Date: <b>2020-08-31</b>	Copyright: <b>Trenz Electronic GmbH</b>	Page <b>23</b> of <b>23</b>
	Filename: <b>Revision_Changes.SchDoc</b>		