
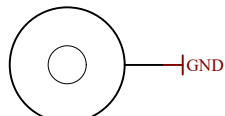


Regarding the usage of our schematics and alike documentation for Trenz module TEI0006.

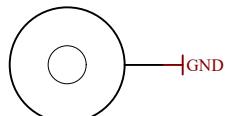
Project is protected under copyright and we strongly and strictly prohibit the reverse engineering or recreation, even if the design is just adapted or modified. TEI0006 is protected under such right and in case of plagiarism we will have to do anything necessary in order to protect our assets.

Schematics and other handouts serve for informational purposes only!

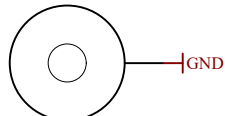
	Title: TEI0006 - Legal Notices		
	A4	Number: TEI0006 ALC13-R	Rev. 03
	Date: 2020-08-31	Copyright: Trenz Electronic GmbH / TT	Page 1 of 23
	Filename: Legal Notices Modules.SchDoc		



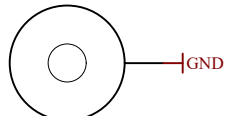
Mount.Hole 3.2mm für Unterlegscheibe



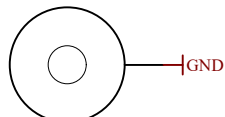
Mount.Hole 3.2mm für Unterlegscheibe



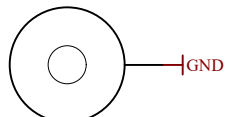
Mount.Hole 3.2mm für Unterlegscheibe



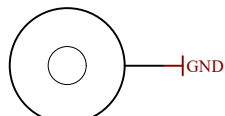
Mount.Hole 3.2mm für Unterlegscheibe



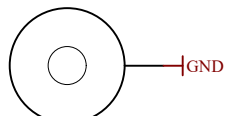
Mount.Hole 3.2mm für Unterlegscheibe



Mount.Hole 3.2mm für Unterlegscheibe

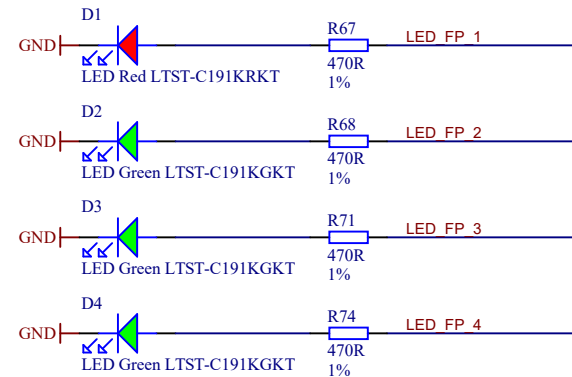
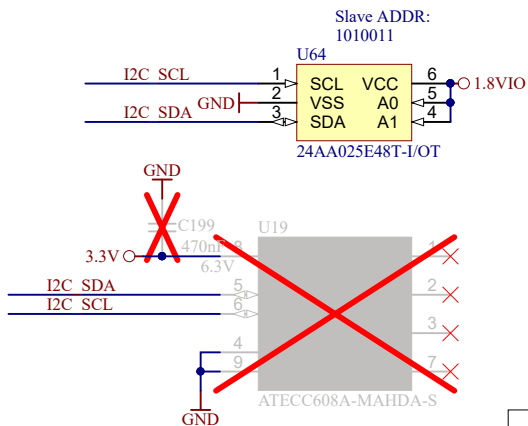
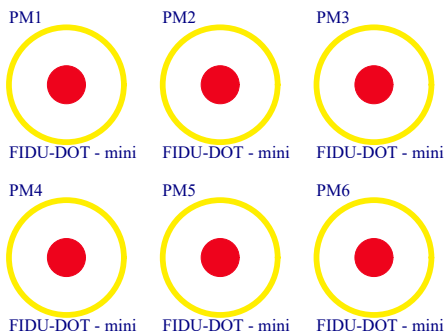


Mount.Hole 3.2mm für Unterlegscheibe



Mount.Hole 3.2mm für Unterlegscheibe

Serial
Serialnummer 6,3 x 6,3mm



J4
ATS-X53290G-C1-R0 NOT CHECKED!!!

Assembly variant	ALC13-R
Created by	VY
Modified by	
Modified at	2020-12-22
SVN Revision	14946



Title: TEI0006		
A4	Number: TEI0006 ALC13-R	Rev. 03
Date: 2020-08-31	Copyright: Trenz Electronic GmbH / TT	Page2 of 23
Filename: TEI0006.SchDoc		

1

2

3

4

A

A

B

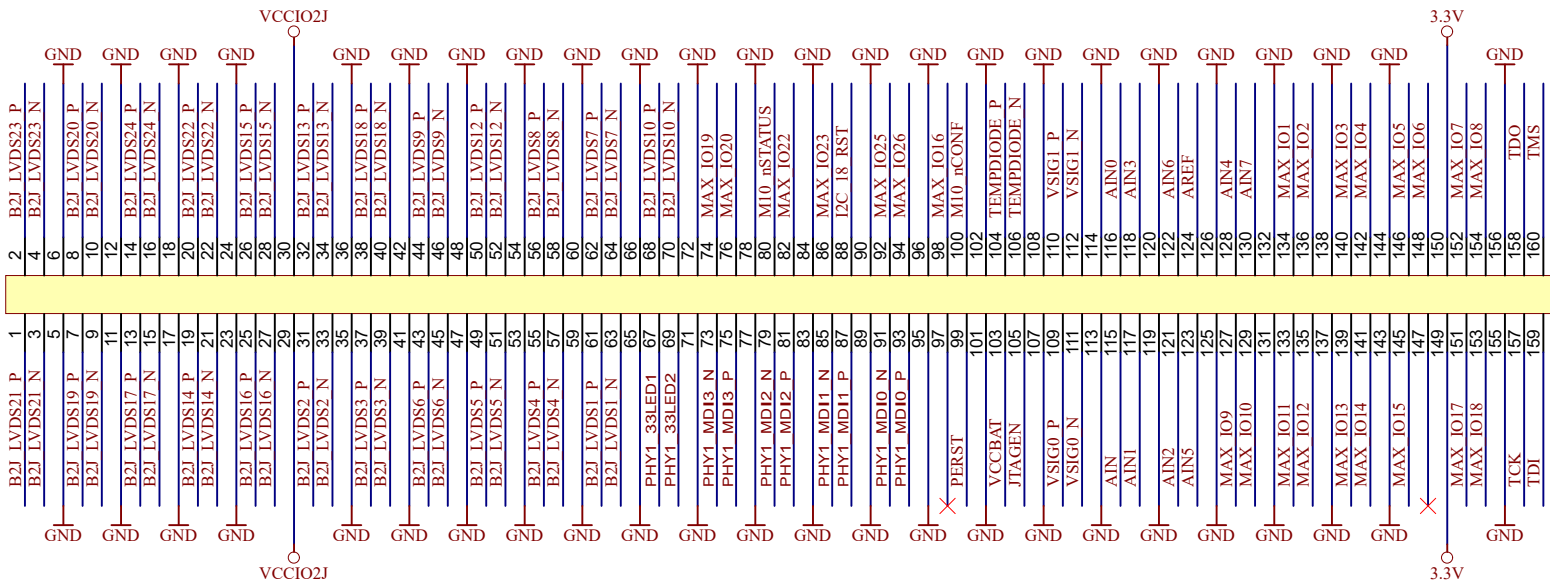
B

C

C

D

D



J2
ST5-80-1.50-L-D-P-TR



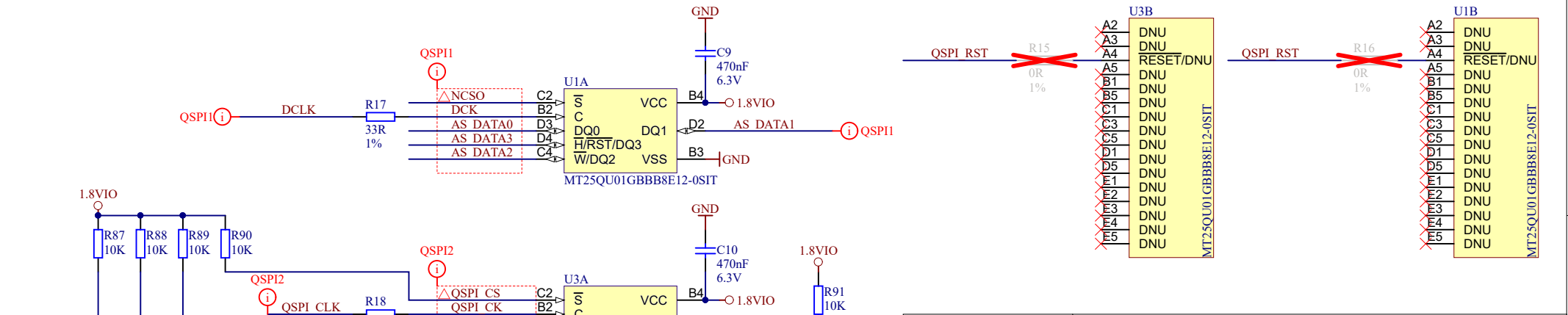
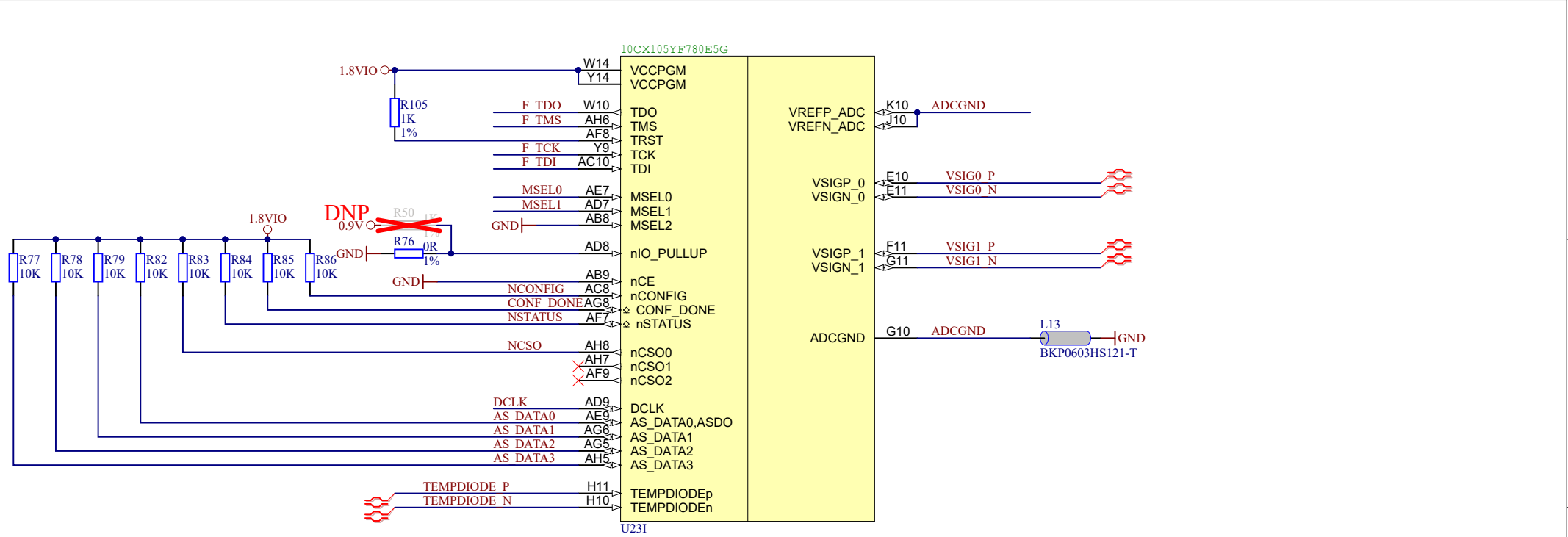
Title: TEI0006		
A4	Number: TEI0006 ALC13-R	Rev. 03
Date: 2020-08-31	Copyright: Trenz Electronic GmbH / TT	Page 4 of 23
Filename: J2.SchDoc		

1

2

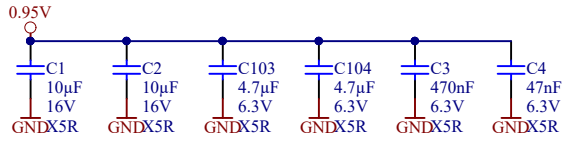
3

4

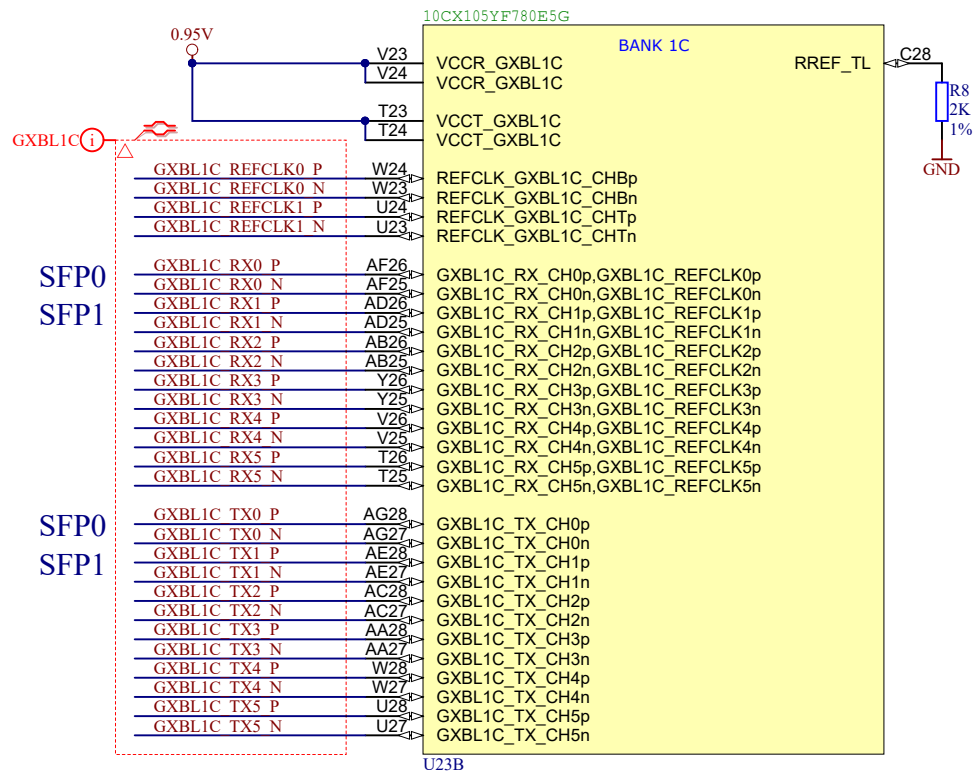
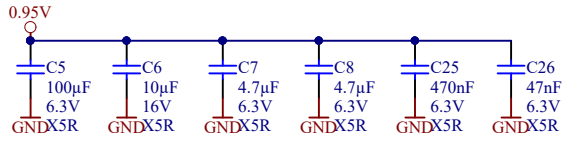


Title: TEI0006		
A4	Number: TEI0006 ALC13-R	Rev. 03
Date: 2020-08-31	Copyright: Trenz Electronic GmbH	Page 6 of 23
Filename: C10GX_CFG.SchDoc		

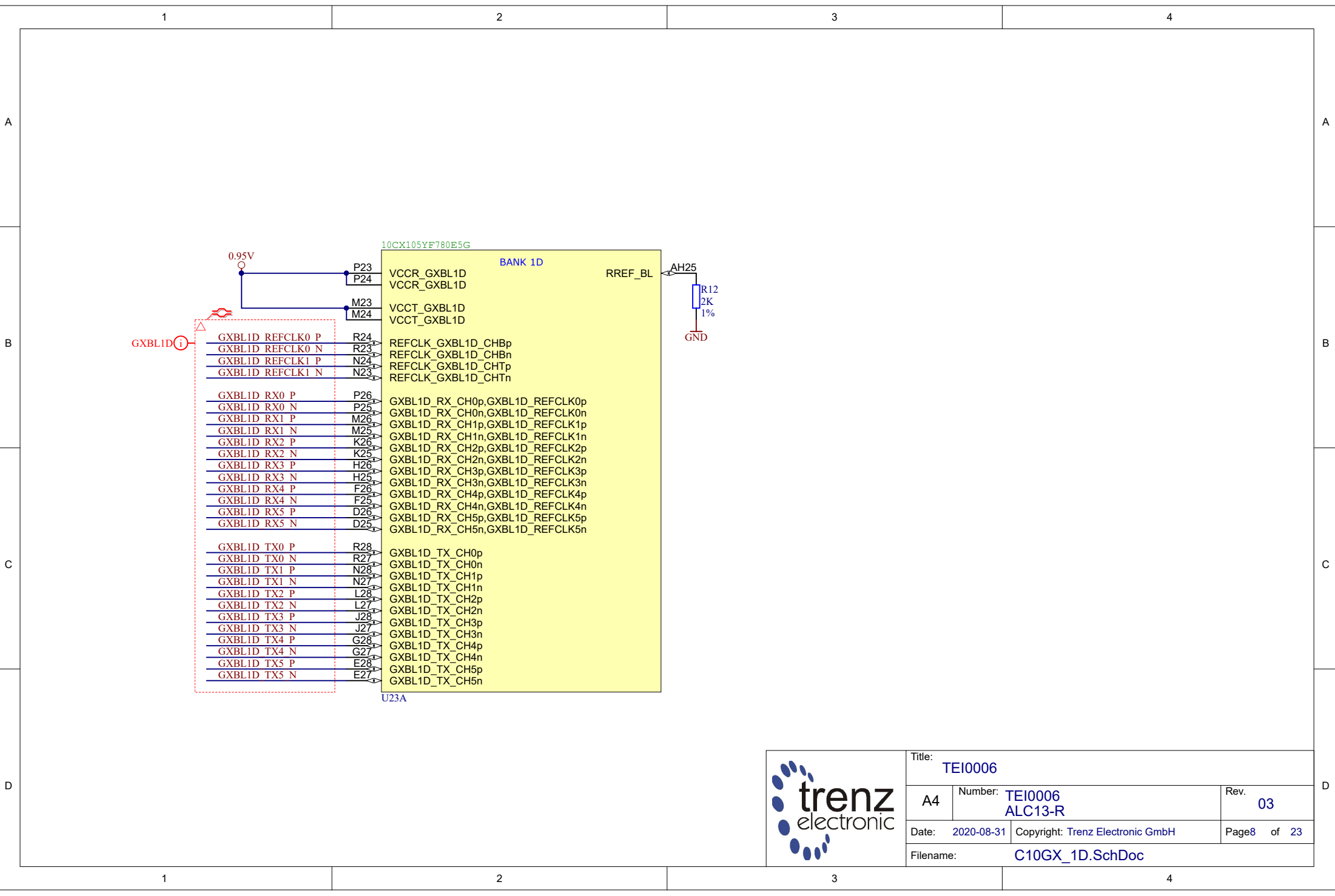
Placed at VCCT_GXB pins




Placed at VCCR_GXB pins



Title: TEI0006		
A4	Number: TEI0006 ALC13-R	Rev. 03
Date: 2020-08-31	Copyright: Trenz Electronic GmbH	Page 7 of 23
Filename: C10GX_1C.SchDoc		



	Title: TEI0006		
	A4	Number: TEI0006 ALC13-R	Rev. 03
	Date: 2020-08-31	Copyright: Trenz Electronic GmbH	Page 8 of 23
	Filename: C10GX_ID.SchDoc		

A

A

B

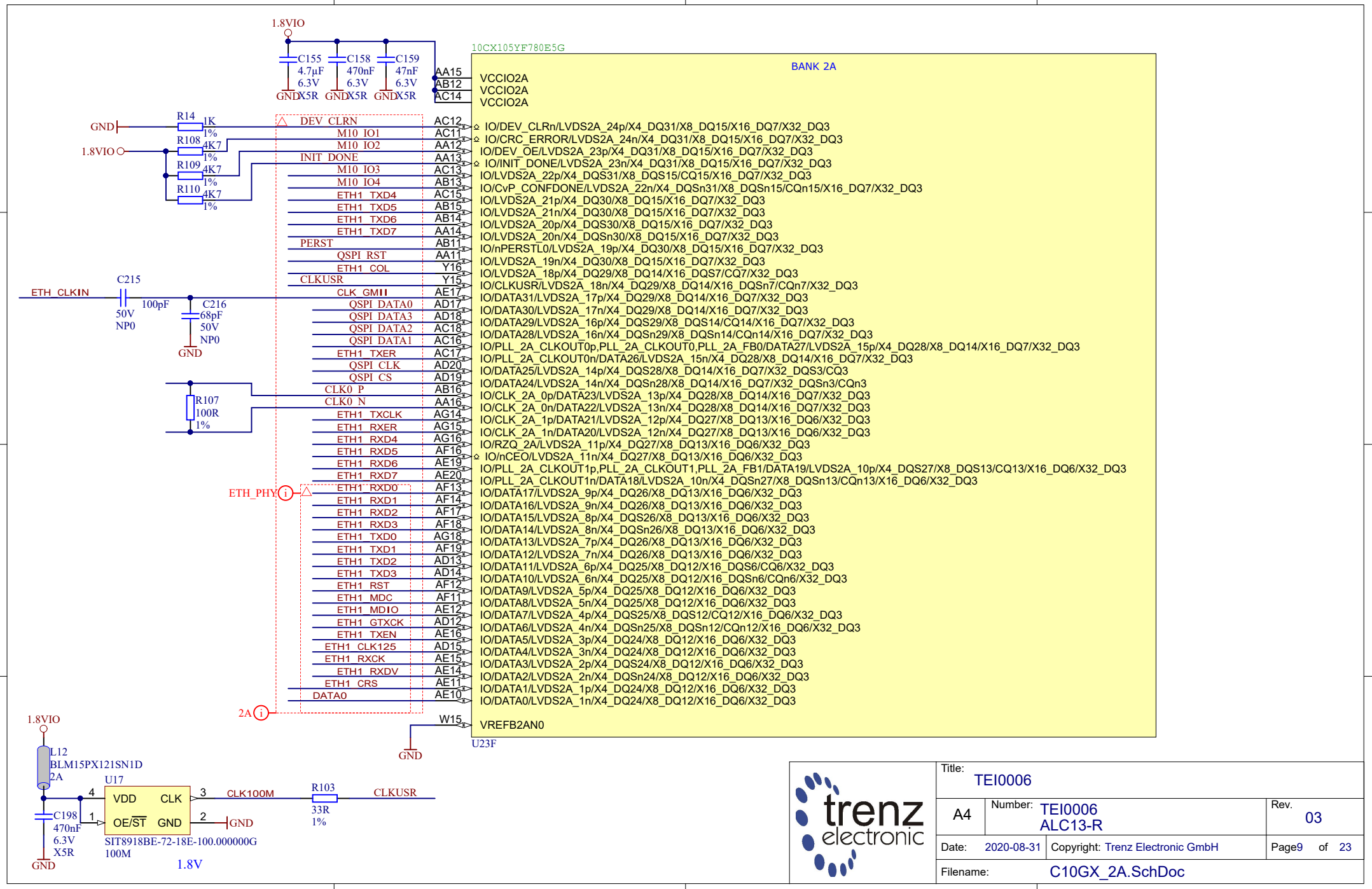
B

C

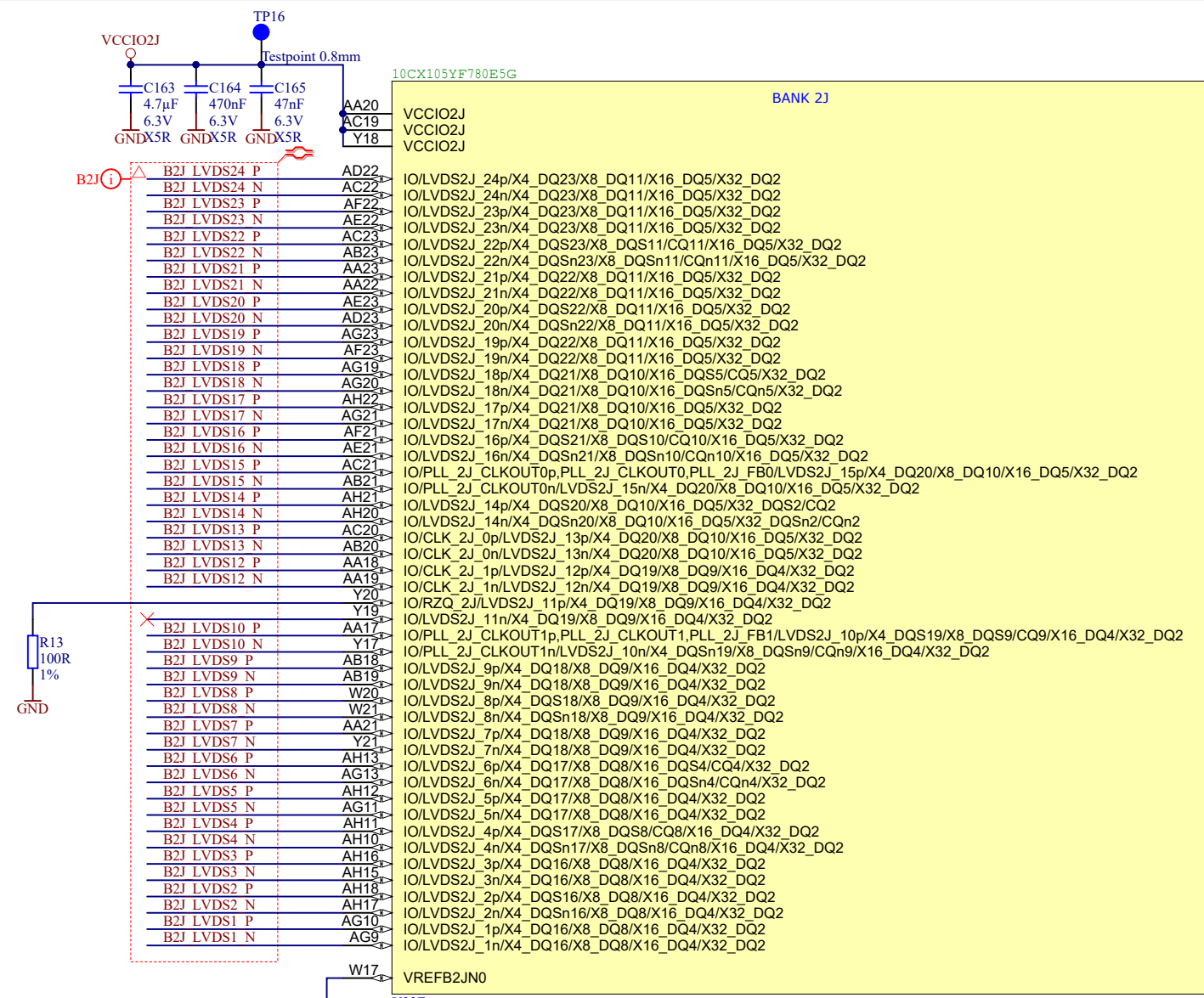
C


D

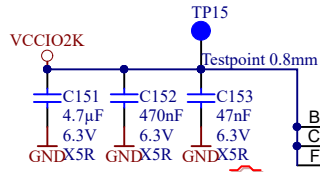
D



Title: TEI0006		Rev. 03
A4	Number: TEI0006 ALC13-R	Page 9 of 23
Date: 2020-08-31	Copyright: Trenz Electronic GmbH	
Filename: C10GX_2A.SchDoc		



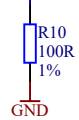
		Title: TEI0006	
		A4	Number: TEI0006 ALC13-R
Date: 2020-08-31		Copyright: Trenz Electronic GmbH	
Filename: C10GX_2J.SchDoc		Page 10 of 23	



10CX105YF780E5G

BANK 2K

B2K (i)



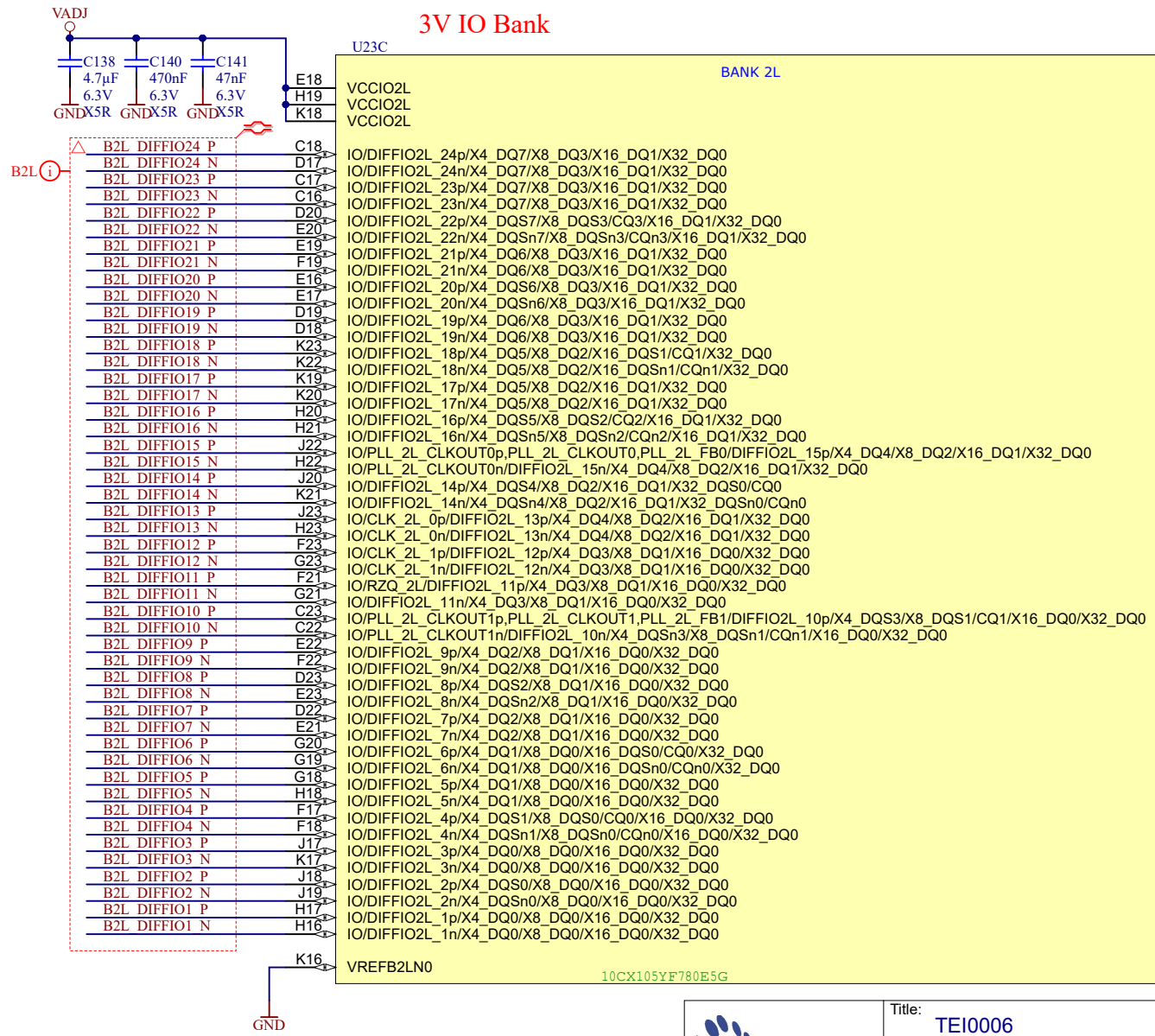
B2K LVDS24 P	A11
B2K LVDS24 N	B11
B2K LVDS23 P	A12
B2K LVDS23 N	A13
B2K LVDS22 P	A14
B2K LVDS22 N	B13
B2K LVDS21 P	B14
B2K LVDS21 N	B15
B2K LVDS20 P	C13
B2K LVDS20 N	D13
B2K LVDS19 P	D14
B2K LVDS19 N	E14
B2K LVDS18 P	B26
B2K LVDS18 N	B25
B2K LVDS17 P	A21
B2K LVDS17 N	A22
B2K LVDS16 P	A27
B2K LVDS16 N	A26
B2K LVDS15 P	B24
B2K LVDS15 N	B23
B2K LVDS14 P	B21
B2K LVDS14 N	C21
B2K LVDS13 P	A24
B2K LVDS13 N	A23
B2K LVDS12 P	D15
B2K LVDS12 N	E15
B2K LVDS10 P	B20
B2K LVDS10 N	C20
B2K LVDS9 P	B19
B2K LVDS9 N	B18
B2K LVDS7 P	B16
B2K LVDS7 N	C15
B2K LVDS8 P	A19
B2K LVDS8 N	A18
B2K LVDS6 N	A16
B2K LVDS6 P	D9
B2K LVDS5 N	D10
B2K LVDS5 P	C8
B2K LVDS4 P	D8
B2K LVDS4 N	A9
B2K LVDS3 P	A8
B2K LVDS3 N	C12
B2K LVDS2 P	C11
B2K LVDS2 N	B10
B2K LVDS1 P	C10
B2K LVDS1 N	B9
B2K LVDS1 N	B8

VCCIO2K	VCCIO2K
VCCIO2K	VCCIO2K
VCCIO2K	VCCIO2K
IO/LVDS2K_24p/X4_DQ15/X8_DQ7/X16_DQ3/X32_DQ1	A11
IO/LVDS2K_24n/X4_DQ15/X8_DQ7/X16_DQ3/X32_DQ1	B11
IO/LVDS2K_23p/X4_DQ15/X8_DQ7/X16_DQ3/X32_DQ1	A12
IO/LVDS2K_23n/X4_DQ15/X8_DQ7/X16_DQ3/X32_DQ1	A13
IO/LVDS2K_22p/X4_DQS15/X8_DQS7/CQ7/X16_DQ3/X32_DQ1	A14
IO/LVDS2K_22n/X4_DQSn15/X8_DQSn7/CQn7/X16_DQ3/X32_DQ1	B13
IO/LVDS2K_21p/X4_DQ14/X8_DQ7/X16_DQ3/X32_DQ1	B14
IO/LVDS2K_21n/X4_DQ14/X8_DQ7/X16_DQ3/X32_DQ1	B15
IO/LVDS2K_20p/X4_DQS14/X8_DQ7/X16_DQ3/X32_DQ1	C13
IO/LVDS2K_20n/X4_DQSn14/X8_DQ7/X16_DQ3/X32_DQ1	D13
IO/LVDS2K_19p/X4_DQ14/X8_DQ7/X16_DQ3/X32_DQ1	D14
IO/LVDS2K_19n/X4_DQ14/X8_DQ7/X16_DQ3/X32_DQ1	E14
IO/LVDS2K_18p/X4_DQ13/X8_DQ6/X16_DQS3/CQ3/X32_DQ1	B26
IO/LVDS2K_18n/X4_DQ13/X8_DQ6/X16_DQSn3/CQn3/X32_DQ1	B25
IO/LVDS2K_17p/X4_DQ13/X8_DQ6/X16_DQ3/X32_DQ1	A21
IO/LVDS2K_17n/X4_DQ13/X8_DQ6/X16_DQ3/X32_DQ1	A22
IO/LVDS2K_16p/X4_DQS13/X8_DQS6/CQ6/X16_DQ3/X32_DQ1	A27
IO/LVDS2K_16n/X4_DQS13/X8_DQS6/CQn6/X16_DQ3/X32_DQ1	A26
IO/PLL_2K_CLKOUT0p.PLL_2K_CLKOUT0.PLL_2K_FB0/LVDS2K_15p/X4_DQ12/X8_DQ6/X16_DQ3/X32_DQ1	B24
IO/PLL_2K_CLKOUT0n/LVDS2K_15n/X4_DQ12/X8_DQ6/X16_DQ3/X32_DQ1	B23
IO/LVDS2K_14p/X4_DQS12/X8_DQ6/X16_DQ3/X32_DQS1/CQ1	B21
IO/LVDS2K_14n/X4_DQS12/X8_DQ6/X16_DQ3/X32_DQS1/CQn1	C21
IO/CLK_2K_0p/LVDS2K_13p/X4_DQ12/X8_DQ6/X16_DQ3/X32_DQ1	A24
IO/CLK_2K_0n/LVDS2K_13n/X4_DQ12/X8_DQ6/X16_DQ3/X32_DQ1	A23
IO/CLK_2K_1p/LVDS2K_12p/X4_DQ11/X8_DQ5/X16_DQ2/X32_DQ1	D15
IO/CLK_2K_1n/LVDS2K_12n/X4_DQ11/X8_DQ5/X16_DQ2/X32_DQ1	E15
IO/RZQ_2K/LVDS2K_11p/X4_DQ11/X8_DQ5/X16_DQ2/X32_DQ1	B20
IO/LVDS2K_11n/X4_DQ11/X8_DQ5/X16_DQ2/X32_DQ1	C20
IO/PLL_2K_CLKOUT1p.PLL_2K_CLKOUT1.PLL_2K_FB1/LVDS2K_10p/X4_DQS11/X8_DQS5/CQ5/X16_DQ2/X32_DQ1	B19
IO/PLL_2K_CLKOUT1n/LVDS2K_10n/X4_DQSn11/X8_DQSn5/CQn5/X16_DQ2/X32_DQ1	B18
IO/LVDS2K_9p/X4_DQ10/X8_DQ5/X16_DQ2/X32_DQ1	B16
IO/LVDS2K_9n/X4_DQ10/X8_DQ5/X16_DQ2/X32_DQ1	C15
IO/LVDS2K_8p/X4_DQS10/X8_DQ5/X16_DQ2/X32_DQ1	A19
IO/LVDS2K_8n/X4_DQSn10/X8_DQ5/X16_DQ2/X32_DQ1	A18
IO/LVDS2K_7p/X4_DQ10/X8_DQ5/X16_DQ2/X32_DQ1	A16
IO/LVDS2K_7n/X4_DQ10/X8_DQ5/X16_DQ2/X32_DQ1	D9
IO/LVDS2K_6p/X4_DQ9/X8_DQ4/X16_DQS2/CQ2/X32_DQ1	D10
IO/LVDS2K_6n/X4_DQ9/X8_DQ4/X16_DQSn2/CQn2/X32_DQ1	C8
IO/LVDS2K_5p/X4_DQ9/X8_DQ4/X16_DQ2/X32_DQ1	D8
IO/LVDS2K_5n/X4_DQ9/X8_DQ4/X16_DQ2/X32_DQ1	A9
IO/LVDS2K_4p/X4_DQS9/X8_DQS4/CQ4/X16_DQ2/X32_DQ1	A8
IO/LVDS2K_4n/X4_DQSn9/X8_DQSn4/CQn4/X16_DQ2/X32_DQ1	C12
IO/LVDS2K_3p/X4_DQ8/X8_DQ4/X16_DQ2/X32_DQ1	C11
IO/LVDS2K_3n/X4_DQ8/X8_DQ4/X16_DQ2/X32_DQ1	B10
IO/LVDS2K_2p/X4_DQS8/X8_DQ4/X16_DQ2/X32_DQ1	C10
IO/LVDS2K_2n/X4_DQSn8/X8_DQ4/X16_DQ2/X32_DQ1	B9
IO/LVDS2K_1p/X4_DQ8/X8_DQ4/X16_DQ2/X32_DQ1	B8
IO/LVDS2K_1n/X4_DQ8/X8_DQ4/X16_DQ2/X32_DQ1	B8
VREFB2KN0	E9

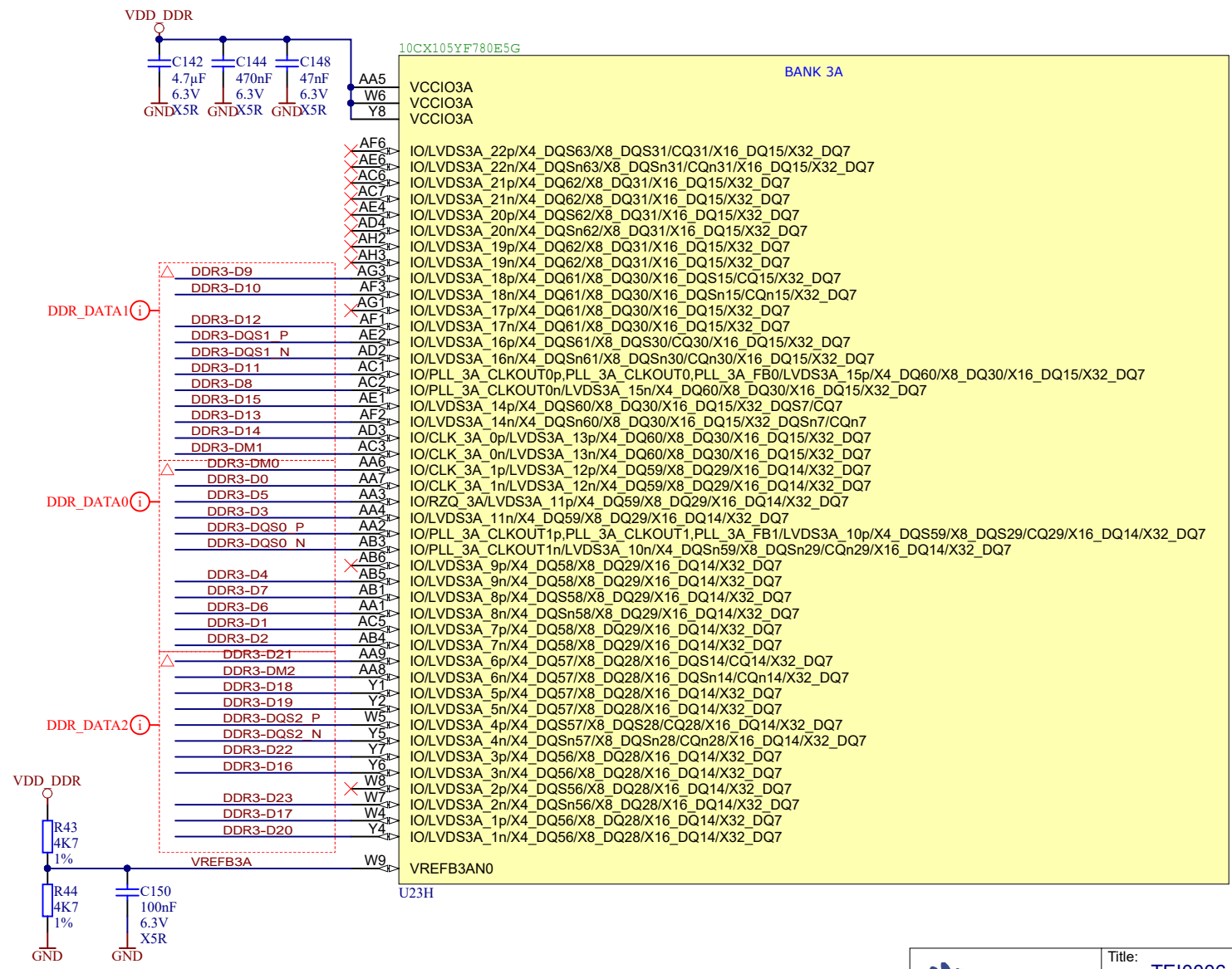

U23D



Title: TEI0006		
A4	Number: TEI0006 ALC13-R	Rev. 03
Date: 2020-08-31	Copyright: Trenz Electronic GmbH	Page 11 of 23
Filename: C10GX_2K.SchDoc		



Title: TEI0006		
A4	Number: TEI0006 ALC13-R	Rev. 03
Date: 2020-08-31	Copyright: Trenz Electronic GmbH	Page 12 of 23
Filename: C10GX_2L.SchDoc		

Title: TEI0006		
A4	Number: TEI0006 ALC13-R	Rev. 03
Date: 2020-08-31	Copyright: Trenz Electronic GmbH	Page 13 of 23
Filename: C10GX_3A.SchDoc		

A

B

C

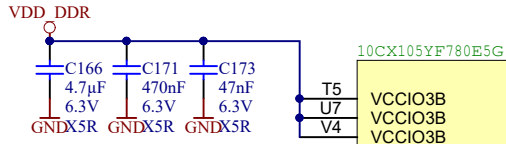
D

A

B

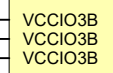
C

D



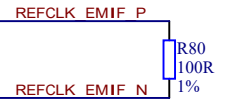
10CX105YF780E5G

BANK 3B

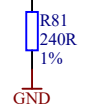


VCCIO3B	VCCIO3B	VCCIO3B
IO/LVDS3B_24p/X4_DQ55/X8_DQ27/X16_DQ13/X32_DQ6	IO/LVDS3B_24n/X4_DQ55/X8_DQ27/X16_DQ13/X32_DQ6	IO/LVDS3B_23p/X4_DQ55/X8_DQ27/X16_DQ13/X32_DQ6
IO/LVDS3B_23n/X4_DQ55/X8_DQ27/X16_DQ13/X32_DQ6	IO/LVDS3B_22p/X4_DQS55/X8_DQS27/CQ27/X16_DQ13/X32_DQ6	IO/LVDS3B_22n/X4_DQS55/X8_DQS27/CQ27/X16_DQ13/X32_DQ6
IO/LVDS3B_21p/X4_DQ54/X8_DQ27/X16_DQ13/X32_DQ6	IO/LVDS3B_21n/X4_DQ54/X8_DQ27/X16_DQ13/X32_DQ6	IO/LVDS3B_20p/X4_DQS54/X8_DQ27/X16_DQ13/X32_DQ6
IO/LVDS3B_20n/X4_DQSn54/X8_DQ27/X16_DQ13/X32_DQ6	IO/LVDS3B_19p/X4_DQ54/X8_DQ27/X16_DQ13/X32_DQ6	IO/LVDS3B_19n/X4_DQ54/X8_DQ27/X16_DQ13/X32_DQ6
IO/LVDS3B_18p/X4_DQ53/X8_DQ26/X16_DQS13/CQ13/X32_DQ6	IO/LVDS3B_18n/X4_DQ53/X8_DQ26/X16_DQSn13/CQn13/X32_DQ6	IO/LVDS3B_17p/X4_DQ53/X8_DQ26/X16_DQ13/X32_DQ6
IO/LVDS3B_17n/X4_DQ53/X8_DQ26/X16_DQ13/X32_DQ6	IO/LVDS3B_16p/X4_DQS53/X8_DQS26/CQ26/X16_DQ13/X32_DQ6	IO/PLL_3B_CLKOUT0p.PLL_3B_CLKOUT0.PLL_3B_FB0/LVDS3B_15p/X4_DQ52/X8_DQ26/X16_DQ13/X32_DQ6
IO/PLL_3B_CLKOUT0n/LVDS3B_15n/X4_DQ52/X8_DQ26/X16_DQ13/X32_DQ6	IO/LVDS3B_14p/X4_DQS52/X8_DQ26/X16_DQ13/X32_DQS6/CQ6	IO/LVDS3B_14n/X4_DQSn52/X8_DQ26/X16_DQ13/X32_DQS6/CQn6
IO/CLK_3B_0p/LVDS3B_13p/X4_DQ52/X8_DQ26/X16_DQ13/X32_DQ6	IO/CLK_3B_0n/LVDS3B_13n/X4_DQ52/X8_DQ26/X16_DQ13/X32_DQ6	IO/CLK_3B_1p/LVDS3B_12p/X4_DQ51/X8_DQ25/X16_DQ12/X32_DQ6
IO/CLK_3B_1n/LVDS3B_12n/X4_DQ51/X8_DQ25/X16_DQ12/X32_DQ6	IO/RZQ_3B/LVDS3B_11p/X4_DQ51/X8_DQ25/X16_DQ12/X32_DQ6	IO/LVDS3B_11n/X4_DQ51/X8_DQ25/X16_DQ12/X32_DQ6
IO/PLL_3B_CLKOUT1p.PLL_3B_CLKOUT1.PLL_3B_FB1/LVDS3B_10p/X4_DQS51/X8_DQS25/CQ25/X16_DQ12/X32_DQ6	IO/PLL_3B_CLKOUT1n/LVDS3B_10n/X4_DQSn51/X8_DQSn25/CQn25/X16_DQ12/X32_DQ6	IO/LVDS3B_9p/X4_DQ50/X8_DQ25/X16_DQ12/X32_DQ6
IO/LVDS3B_9n/X4_DQ50/X8_DQ25/X16_DQ12/X32_DQ6	IO/LVDS3B_8p/X4_DQS50/X8_DQ25/X16_DQ12/X32_DQ6	IO/LVDS3B_8n/X4_DQSn50/X8_DQ25/X16_DQ12/X32_DQ6
IO/LVDS3B_7p/X4_DQ50/X8_DQ25/X16_DQ12/X32_DQ6	IO/LVDS3B_7n/X4_DQ50/X8_DQ25/X16_DQ12/X32_DQ6	IO/LVDS3B_6p/X4_DQ49/X8_DQ24/X16_DQS12/CQ12/X32_DQ6
IO/LVDS3B_6n/X4_DQ49/X8_DQ24/X16_DQSn12/CQn12/X32_DQ6	IO/LVDS3B_5p/X4_DQ49/X8_DQ24/X16_DQ12/X32_DQ6	IO/LVDS3B_5n/X4_DQ49/X8_DQ24/X16_DQ12/X32_DQ6
IO/LVDS3B_4p/X4_DQS49/X8_DQS24/CQ24/X16_DQ12/X32_DQ6	IO/LVDS3B_4n/X4_DQSn49/X8_DQSn24/CQn24/X16_DQ12/X32_DQ6	IO/LVDS3B_3p/X4_DQ48/X8_DQ24/X16_DQ12/X32_DQ6
IO/LVDS3B_3n/X4_DQ48/X8_DQ24/X16_DQ12/X32_DQ6	IO/LVDS3B_2p/X4_DQS48/X8_DQ24/X16_DQ12/X32_DQ6	IO/LVDS3B_2n/X4_DQSn48/X8_DQ24/X16_DQ12/X32_DQ6
IO/LVDS3B_1p/X4_DQ48/X8_DQ24/X16_DQ12/X32_DQ6	IO/LVDS3B_1n/X4_DQ48/X8_DQ24/X16_DQ12/X32_DQ6	

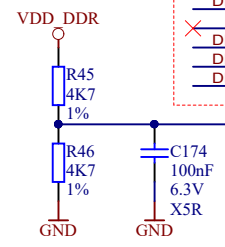
U23G



DDR_ADDR_CMD



DDR_DATA3



Title: TEI0006		
A4	Number: TEI0006 ALC13-R	Rev. 03
Date: 2020-08-31	Copyright: Trenz Electronic GmbH	Page 14 of 23
Filename: C10GX_3B.SchDoc		

A

B

C

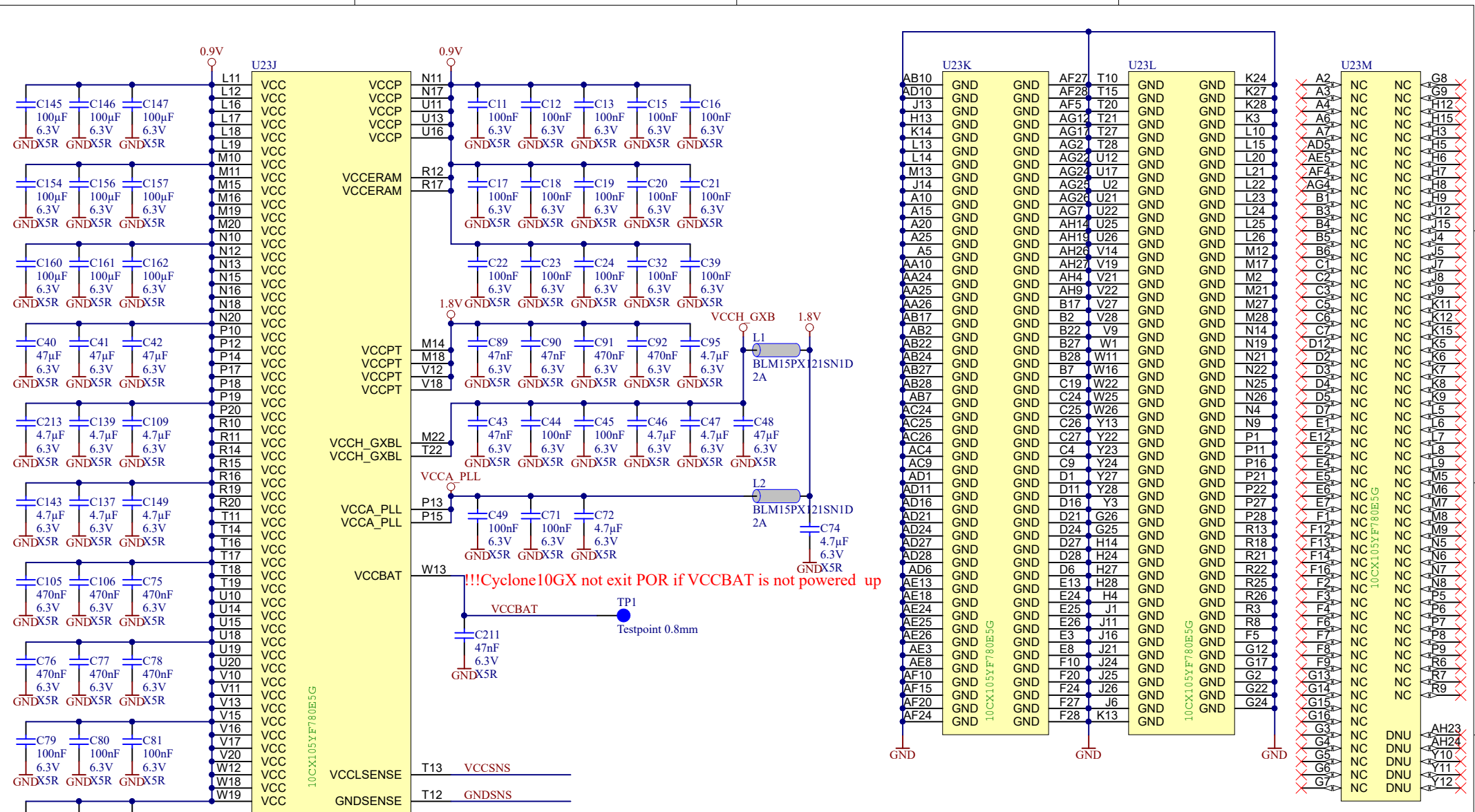
D

A

B

C

D



!!!Cyclone10GX not exit POR if VCCBAT is not powered up

TP1 Testpoint 0.8mm



Title: TEI0006		Rev. 03	
A4	Number: TEI0006 ALC13-R	Page 15 of 23	
Date: 2020-08-31	Copyright: Trenz Electronic GmbH	Page 15 of 23	
Filename: C10GX_PWR.SchDoc			

1

2

3

4

A

A

B

B

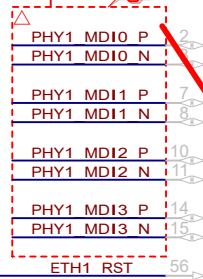
C

C

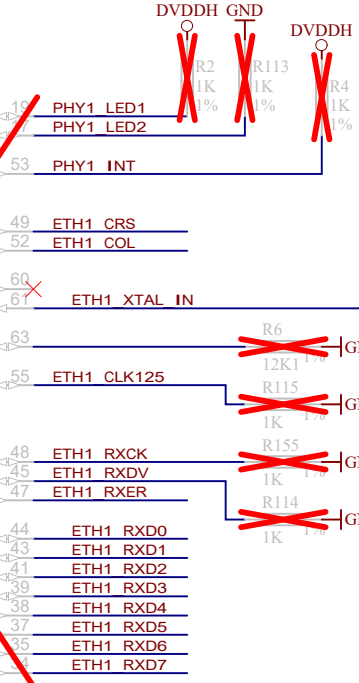
D

D

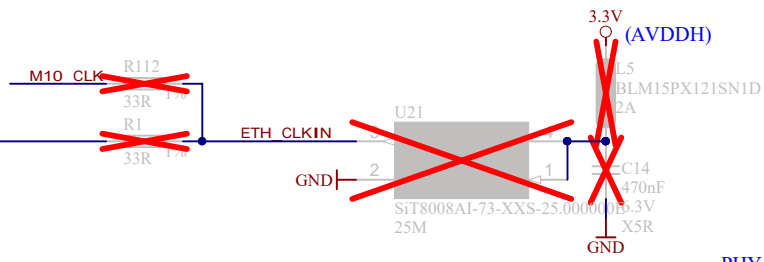
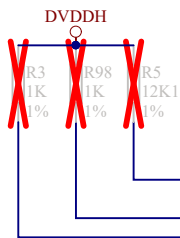
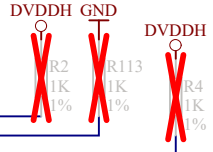
ETH_MDI



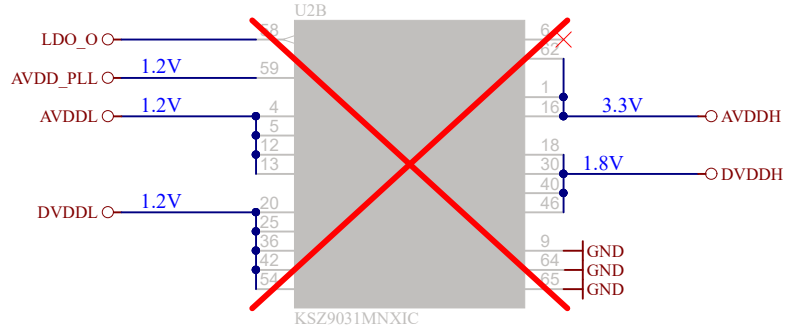
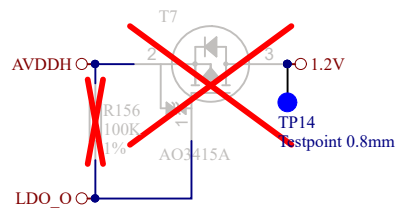
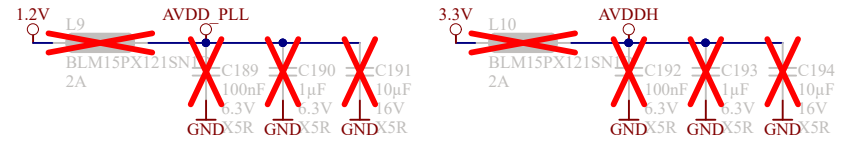
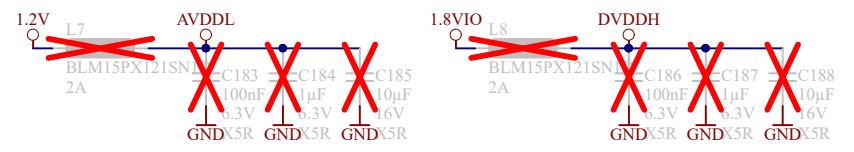
U2A



KSZ9031MNXIC

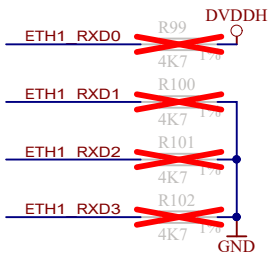


PHY Address: 0001



KSZ9031MNXIC

MODE: 0001 -> GMII/MII mode



Title: TEI0006		
A4	Number: TEI0006 ALC13-R	Rev. 03
Date: 2020-08-31	Copyright: Trenz Electronic GmbH	Page 16 of 23
Filename: EthPHY1.SchDoc		

1

2

3

4

A

A

B

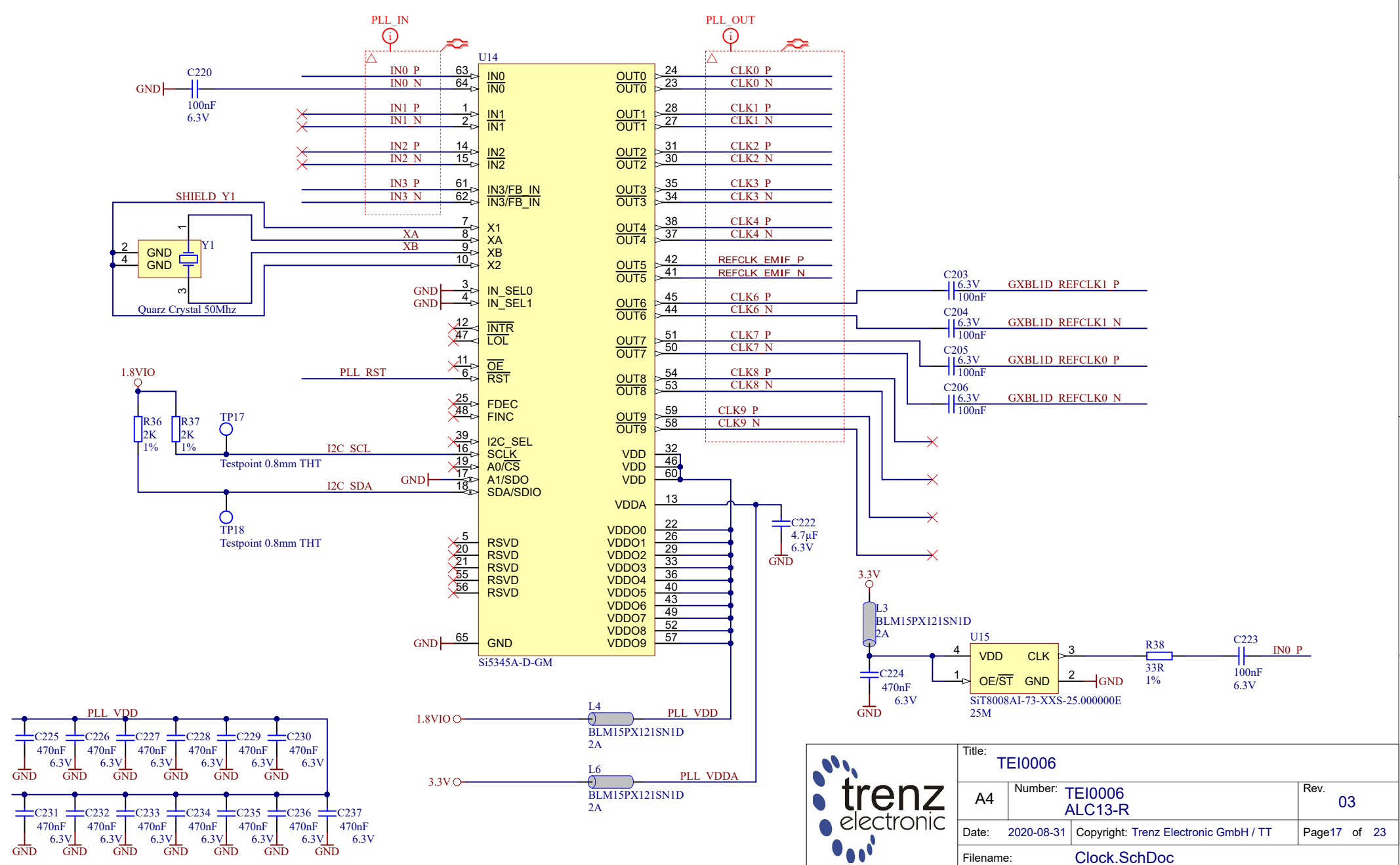
B

C

C

D

D



Title: TEI0006			
A4	Number: TEI0006 ALC13-R	Rev. 03	
Date: 2020-08-31	Copyright: Trenz Electronic GmbH / TT		Page 17 of 23
Filename: Clock.SchDoc			

A

B

C

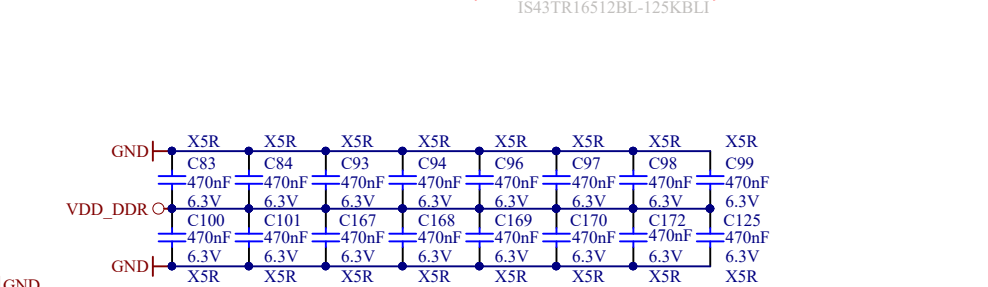
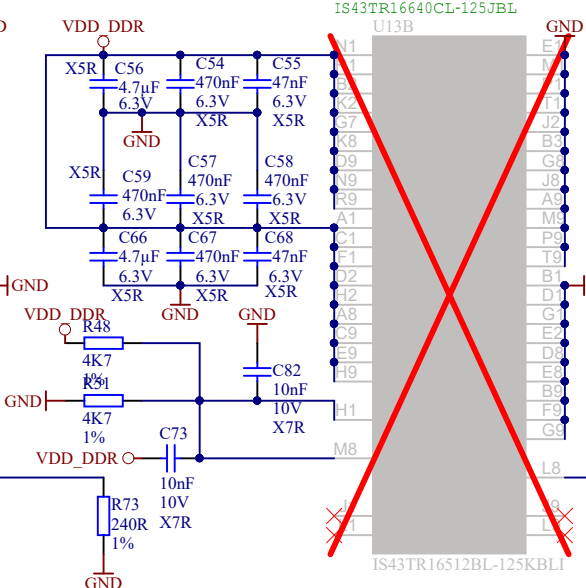
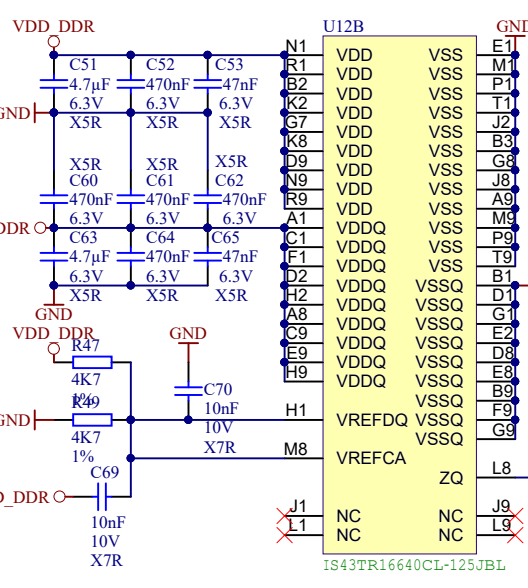
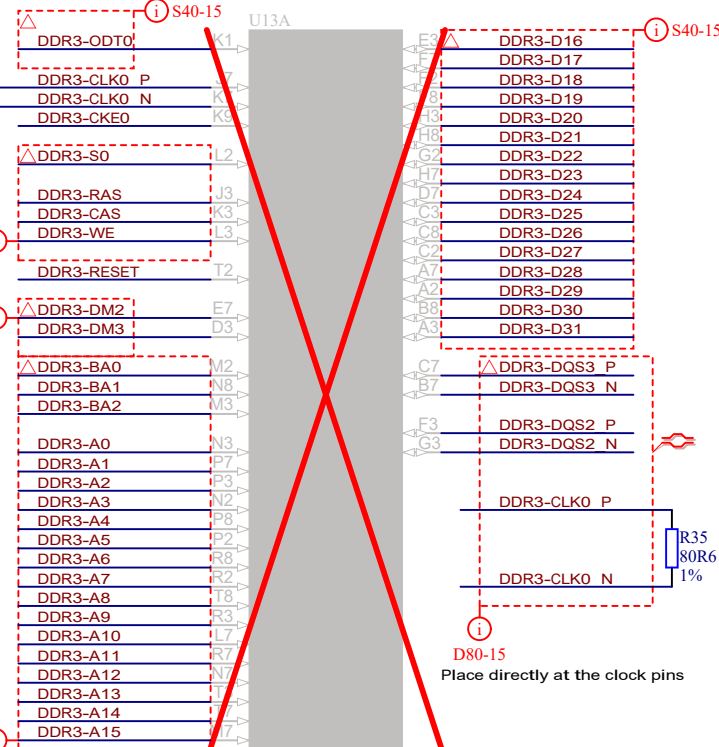
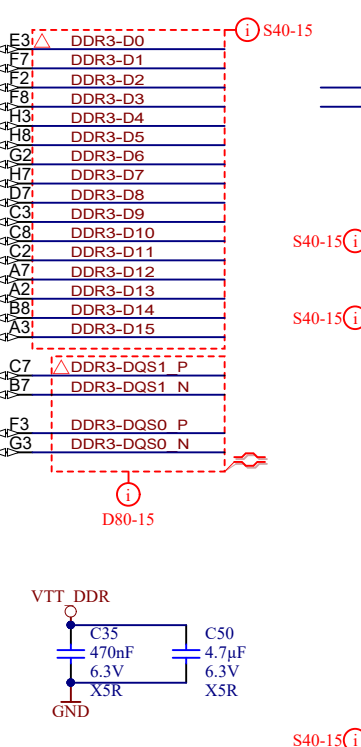
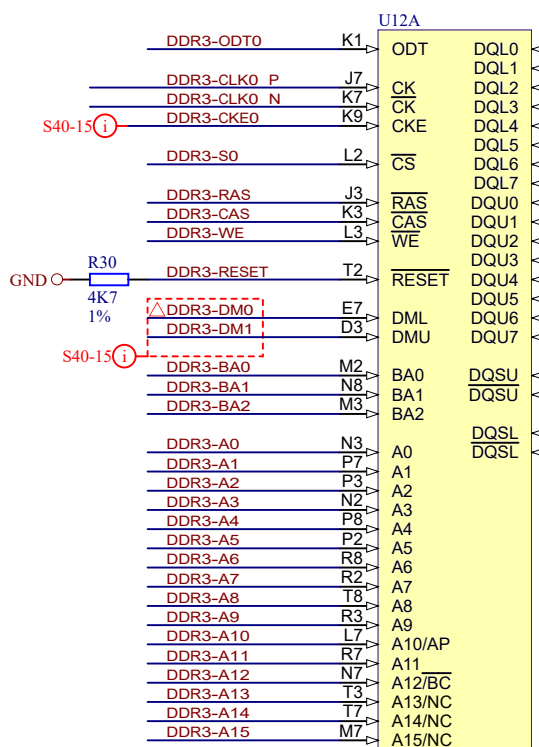
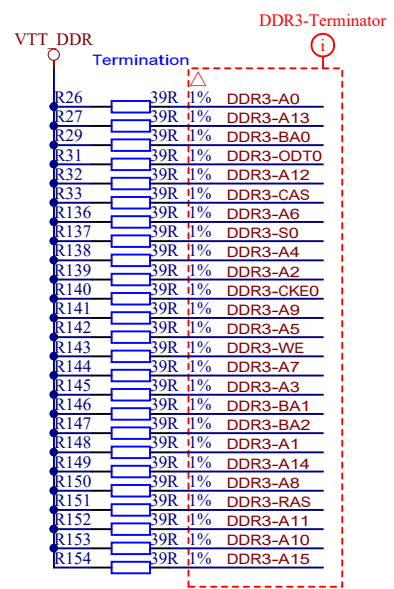
D

A

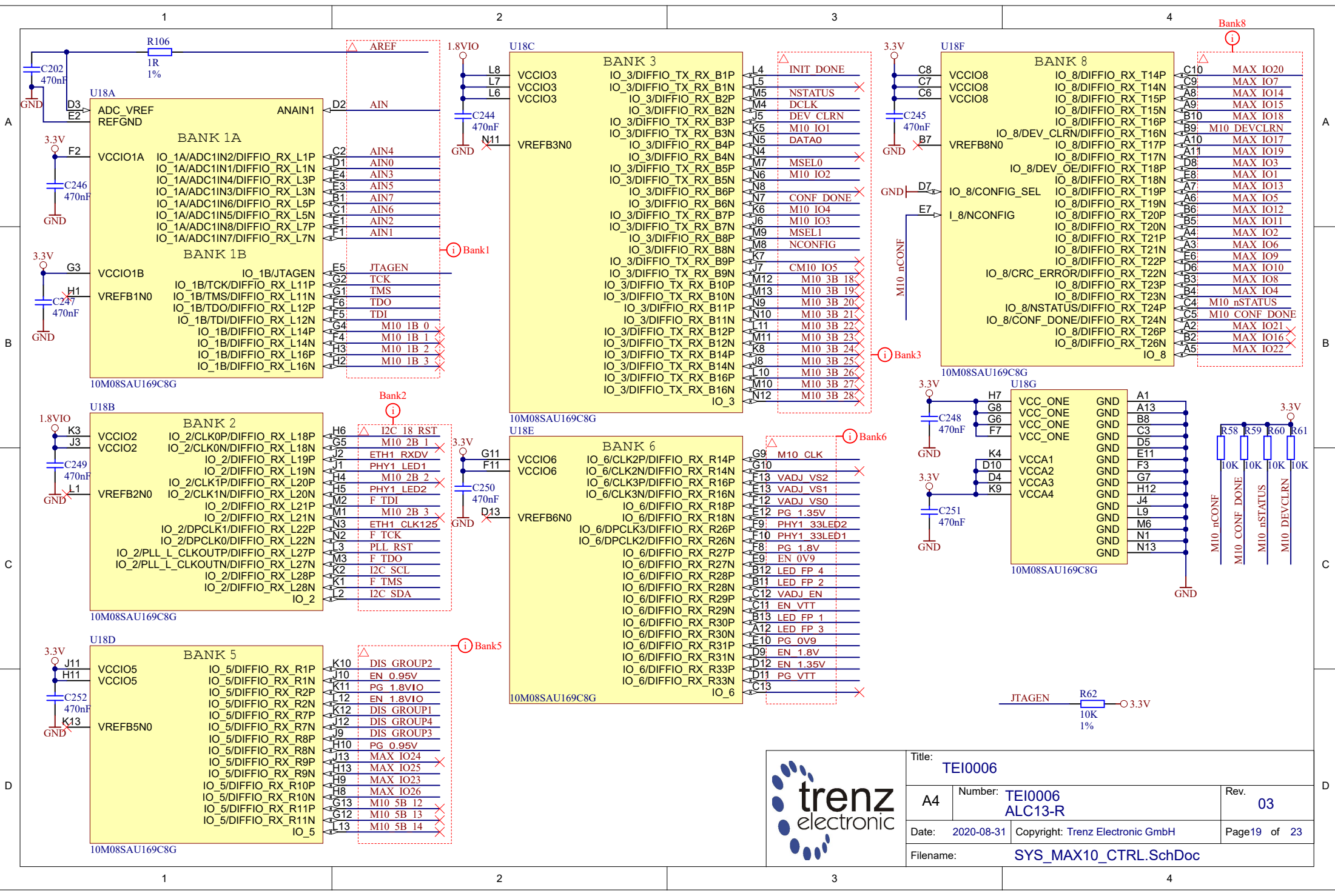
B

C

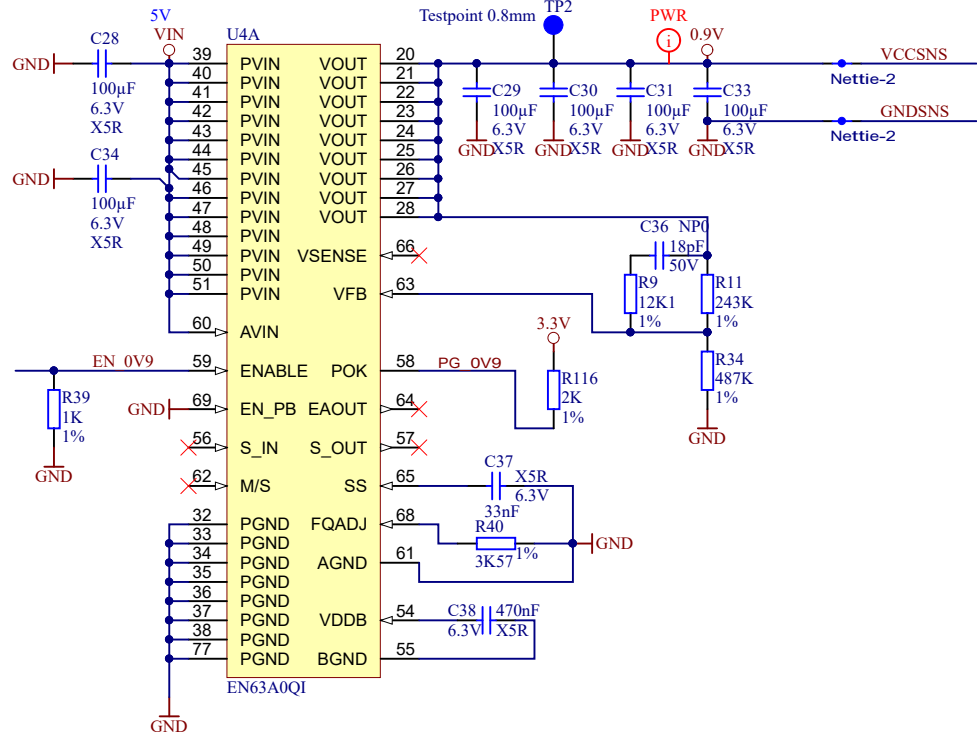
D



Title: TEI0006		
A4	Number: TEI0006 ALC13-R	Rev. 03
Date: 2020-08-31	Copyright: 2013 Trenz Electronic GmbH	Page 18 of 23
Filename: DDR3-RAM1.SchDoc		



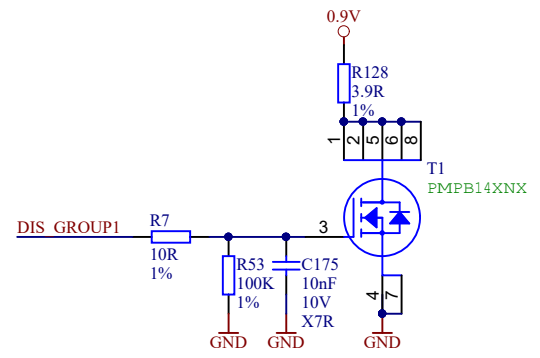
Title: TEI0006		
A4	Number: TEI0006 ALC13-R	Rev. 03
Date: 2020-08-31	Copyright: Trenz Electronic GmbH	Page 19 of 23
Filename: SYS_MAX10_CTRL.SchDoc		



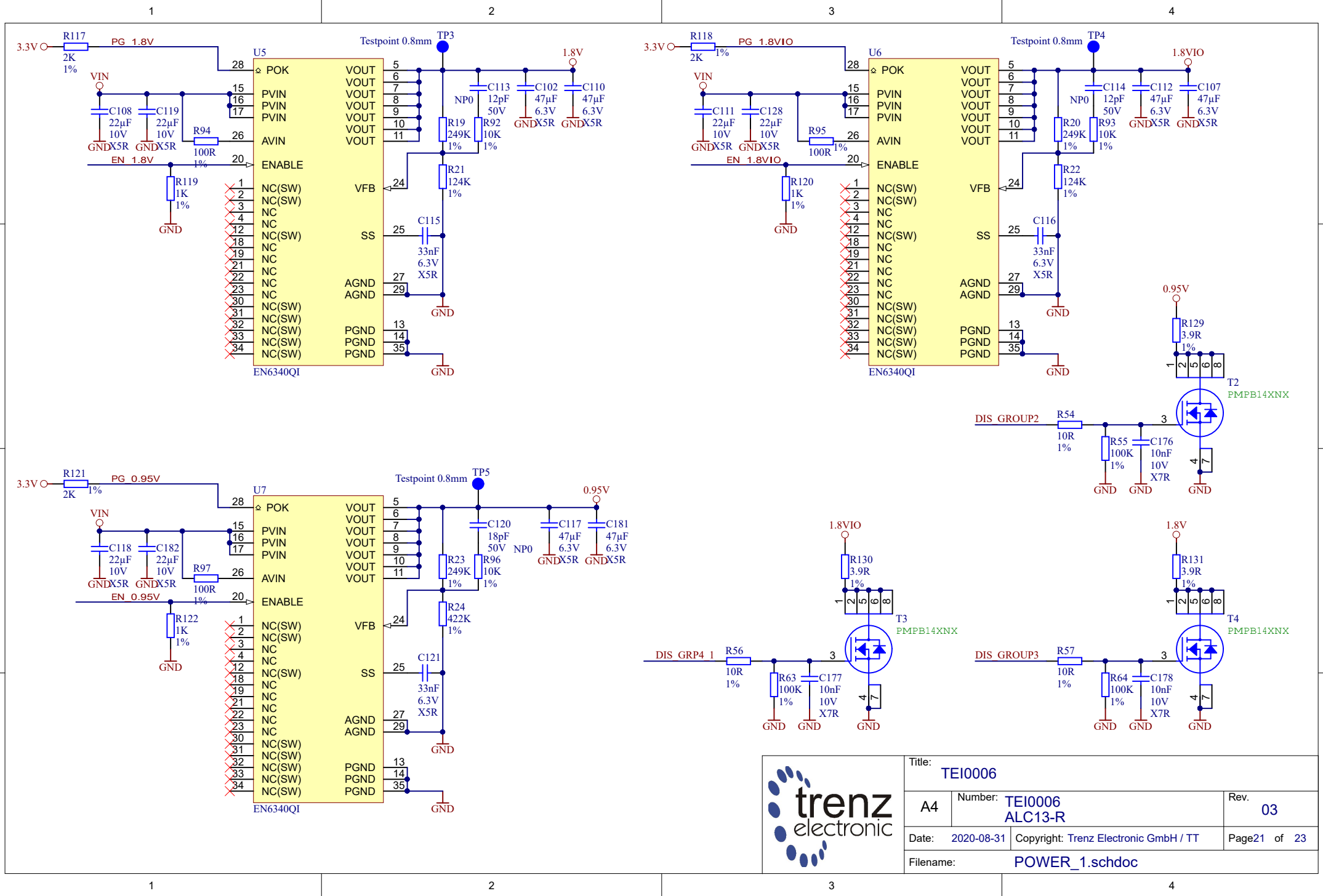
U4B

1	NC	NC	17
2	NC	NC	18
3	NC	NC	19
4	NC	NC	29
5	NC	NC	30
6	NC	NC(SW)	31
7	NC	NC(SW)	52
8	NC	NC	53
9	NC	NC	67
10	NC	NC	68
11	NC	NC(SW)	70
12	NC	NC(SW)	71
13	NC	NC	72
14	NC	NC	73
15	NC	NC	74
16	NC	NC	75
17	NC	NC	76

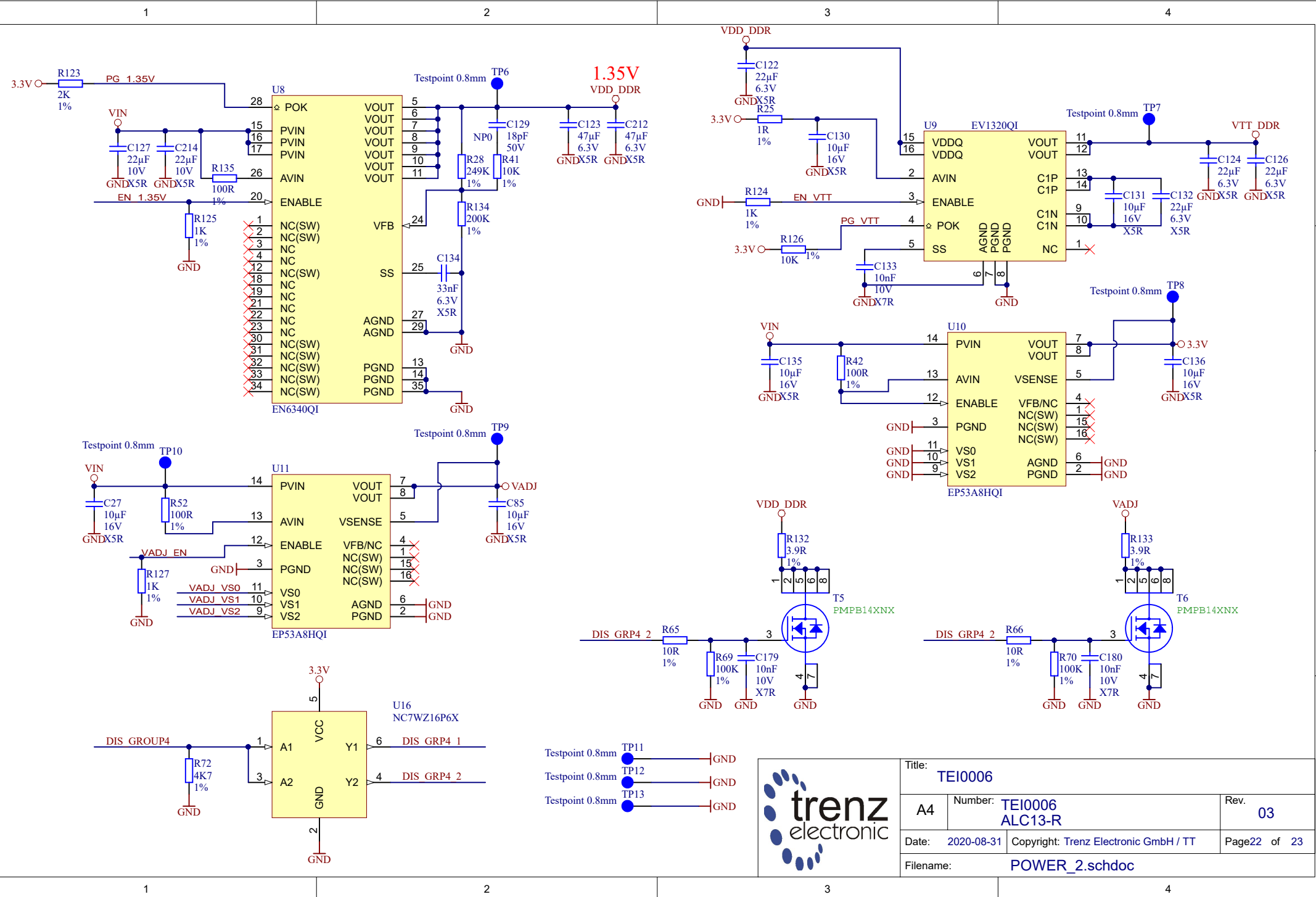
EN63A0QI



Title: TEI0006		
A4	Number: TEI0006 ALC13-R	Rev. 03
Date: 2020-08-31	Copyright: Trenz Electronic GmbH	Page20 of 23
Filename: PWR_CORE.SchDoc		



	Title: TEI0006	
	A4	Number: TEI0006 ALC13-R
	Date: 2020-08-31	Copyright: Trenz Electronic GmbH / TT
	Page 21 of 23	Rev. 03
Filename: POWER_1.schdoc		



Title: TEI0006		
A4	Number: TEI0006 ALC13-R	Rev. 03
Date: 2020-08-31	Copyright: Trenz Electronic GmbH / TT	Page 22 of 23
Filename: POWER_2.schdoc		

VT: Initial Rev (07.2018)

Changes from REV01 to REV02:


- 1) VT: added MEMS 100MHz clock oscillator to CLKUSR
- 2) VT: remove CLKUSR from J2
- 3) VT: replaced Si510 to SiT8008/CM3225-4pad
- 4) VT: remove DEVCLRN from J2, added pull-up
- 5) VT: remove M10_nSTATUS from J2, added pull-up
- 6) VT: Added optional CryptoAuthentication chip U19 (DNP)

Changes from REV02 to REV03 (08.2020):

- 1) VT: fixed CLK connections (CLK's from FMC (on Baseboard) directly connected to GXBL1C bank)
- 2) VT: added heatsink
- 3) VT: full upd LIB
- 4) VT: added Legal Notices sheet

2020-12-23

- 5) VY: replaced not available transistors T1-T6 AON2240 to PMPB14XNX

	Title: TEI0006 - Revision changes		
	A4	Number: TEI0006 ALC13-R	Rev. 03
	Date: 2020-08-31	Copyright: Trenz Electronic GmbH	Page 23 of 23
	Filename: Revision_Changes.SchDoc		