


Regarding the usage of our schematics and alike documentation for Trenz module TEI0006.

Project is protected under copyright and we strongly and strictly prohibit the reverse engineering or recreation, even if the design is just adapted or modified. TEI0006 is protected under such right and in case of plagiarism we will have to do anything necessary in order to protect our assets.

Schematics and other handouts serve for informational purposes only!

	Title: TEI0006 - Legal Notices		
	A4	Number: TEI0006 API23A	Rev. 04
	Date: 2022-11-24	Copyright: Trenz Electronic GmbH	Page 1 of 25
	Filename: Legal Notices Modules.SchDoc		

1

2

3

4

A

A

B

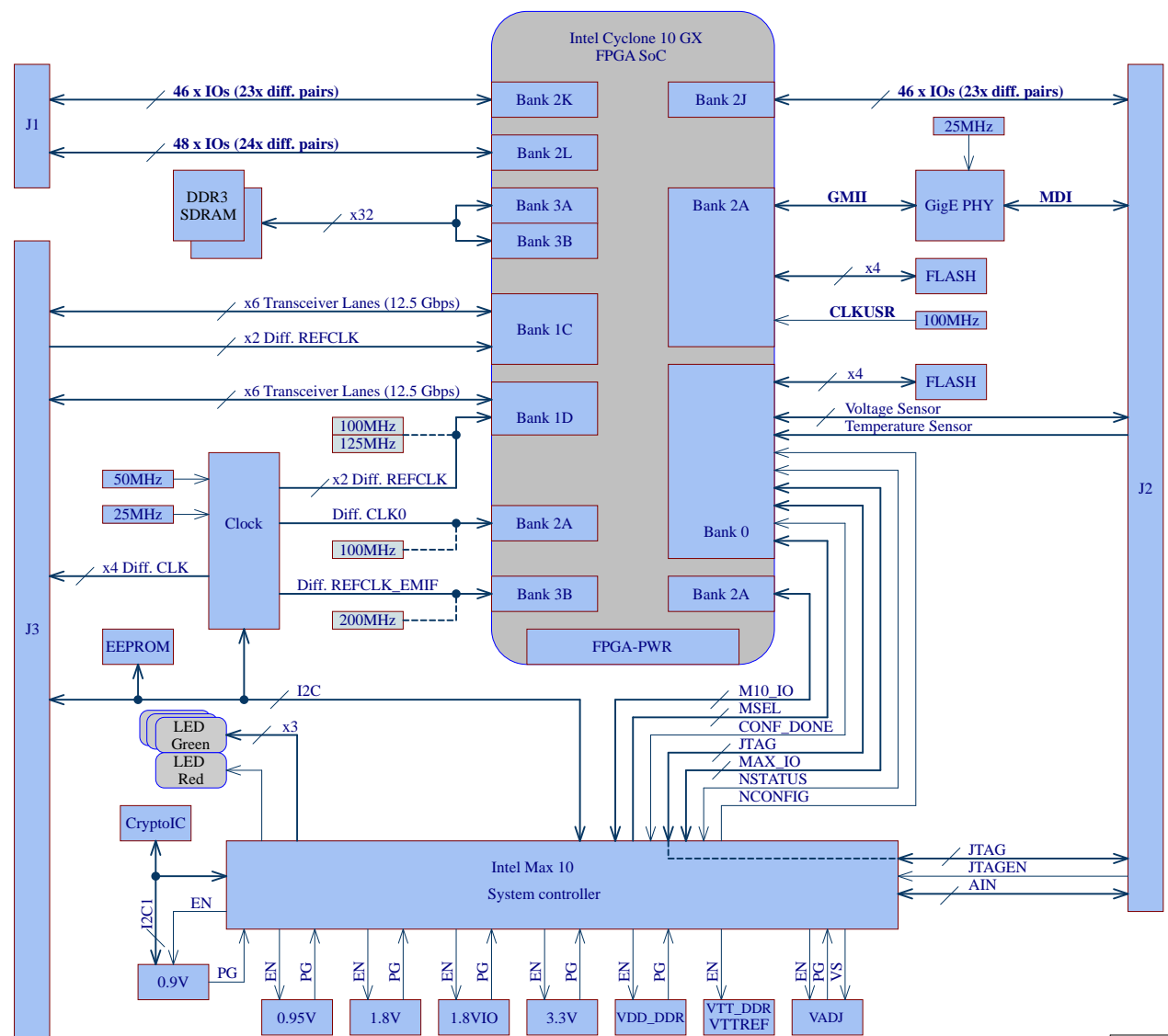
B

C

C

D

D



Special notes:

- U_Revision Changes
- U_TEI0006
- U_Power_Diagram



Title: TEI0006 - System Overview		
A4	Number: TEI0006 API23A	Rev. 04
Date: 2022-11-24	Copyright: Trenz Electronic GmbH	Page 2 of 25
Filename: Overview.SchDoc		


1

2

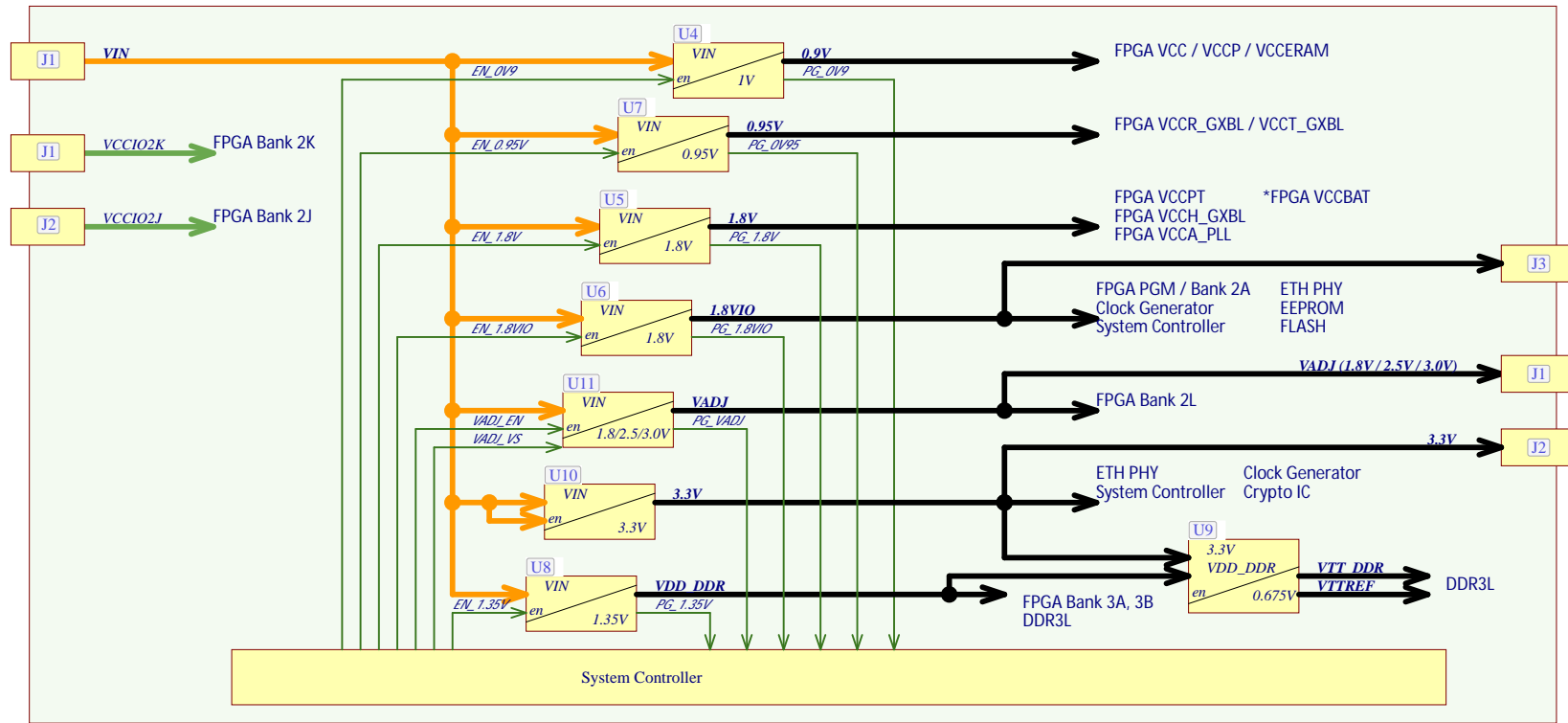
3

4

REV	Description	
-01	Initial revision	VT
-02	1) VT: added MEMS 100MHz clock oscillator to CLKUSR 2) VT: remove CLKUSR from J2 3) VT: replaced Si510 to SiT8008/CM3225-4pad 4) VT: remove DEVCLRN from J2, added pull-up 5) VT: remove M10_nSTATUS from J2, added pull-up 6) VT: Added optional CryptoAuthentication chip U19 (DNP)	VT
-03	1) VT: fixed CLK connections (CLK's from FMC (on Baseboard) directly connected to GXBLIC bank) 2) VT: added heatsink 3) VT: full upd LIB 4) VT: added Legal Notices sheet	VT
	5) VY: replaced not available transistors T1-T6 AON2240 to PMPB14XNX	VY
-04	1) VT: replaced EOL Power regulators: a) U4: EN63A0QI -> MP8869SGL-Z b) U5,U6,U7,U8: EN6340QI -> MPM3840GQV-Z c) U10, U11: EP53A8HQI -> MPM3834CGPA d) U9: EV1320QI -> TPS51206DSQ 2) VT: replaced not available buffer U16: NC7WZ16P6X ->SN74AUP2G17DCKR 3) VT: added dual transistor T8 for select VADJ Voltage (1.8V, 2.5V, 3.0V) 4) VT: remove signals VADJ_VS2 and PG_VTT from System Controller U18 5) VT: added DCDC I2C to System Controller U18 6) VT: added Testpoints to I2C1 I2C bus 7) VT: added optional MEMS LVDS Oscillators Y2,Y3,Y4,Y5 8) VT: remove Resistors R47,R48,R49,R51 9) VT: added optional Termination to REFCLK_EMIF 10) VT: U19-> use I2C 3.3V 11) VT: added diode D5 for VCCBAT 12) VT: added signal PG_VADJ to System Controller U18 13) VT: changed Commercial grade to Industrial for System Controller U18	VT

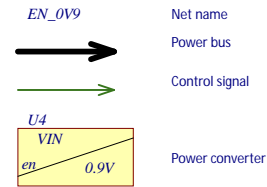
	Title: TEI0006 - Revision changes		
	A4	Number: TEI0006 API23A	Rev. 04
	Date: 2022-11-24	Copyright: Trenz Electronic GmbH	Page 3 of 25
	Filename: Revision_Changes.SchDoc		

Power-on sequencing:

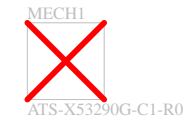
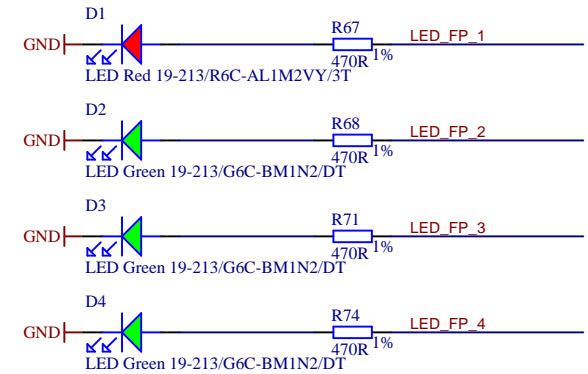
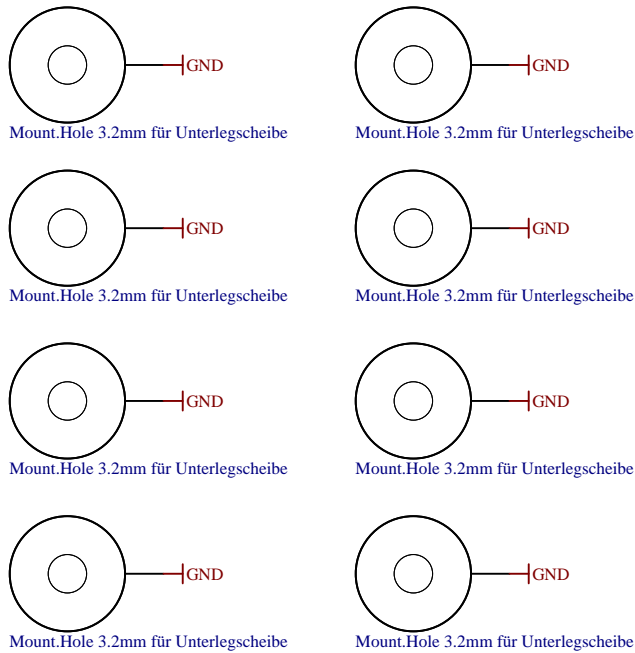


Recommended Operating Conditions

Power Rail	Direction	Range	Tolerance	Description	Note
VIN	IN	5V	+/-5%	Micromodule Power	Mandatory
VCCIO2K	IN	1.2 - 1.8V	+/-3%	IO Bank 2K	-
VCCIO2J	IN	1.2 - 1.8V	+/-3%	IO Bank 2J	-
1.8VIO	OUT	1.8V	+/-3%	For Carrier card Periphery	-
VADJ	OUT	1.8 - 3.0V	+/-3%	For Carrier card Periphery	Voltage set by System Controller
3.3V	OUT	3.3V	+/-3%	For Carrier card Periphery	-



Title: TEI0006 - Power Diagram		
A4	Number: TEI0006 API23A	Rev. 04
Date: 2023-02-02	Copyright: Trenz Electronic GmbH	Page 4 of 25
Filename: Power_Diagram.SchDoc		



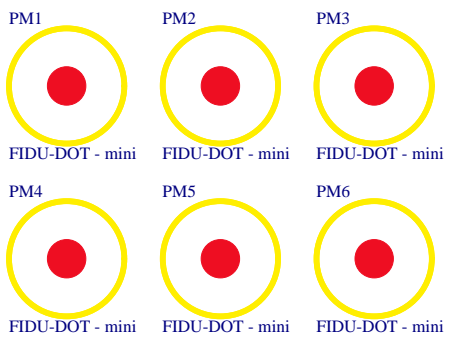
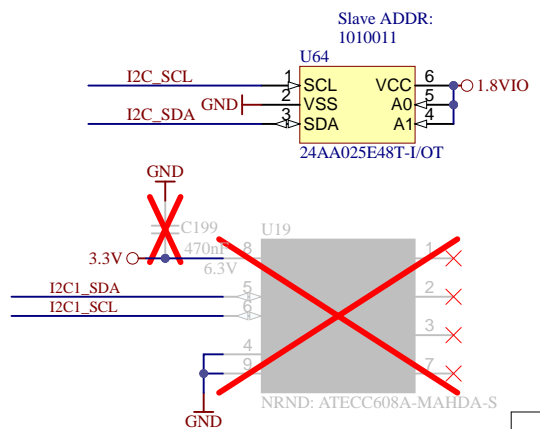
UKCA
UKCA Logo on Top Overlay
UKCA-TOOVERLAY

MECH2
TE Address Overlay
LOGO ADDRESS

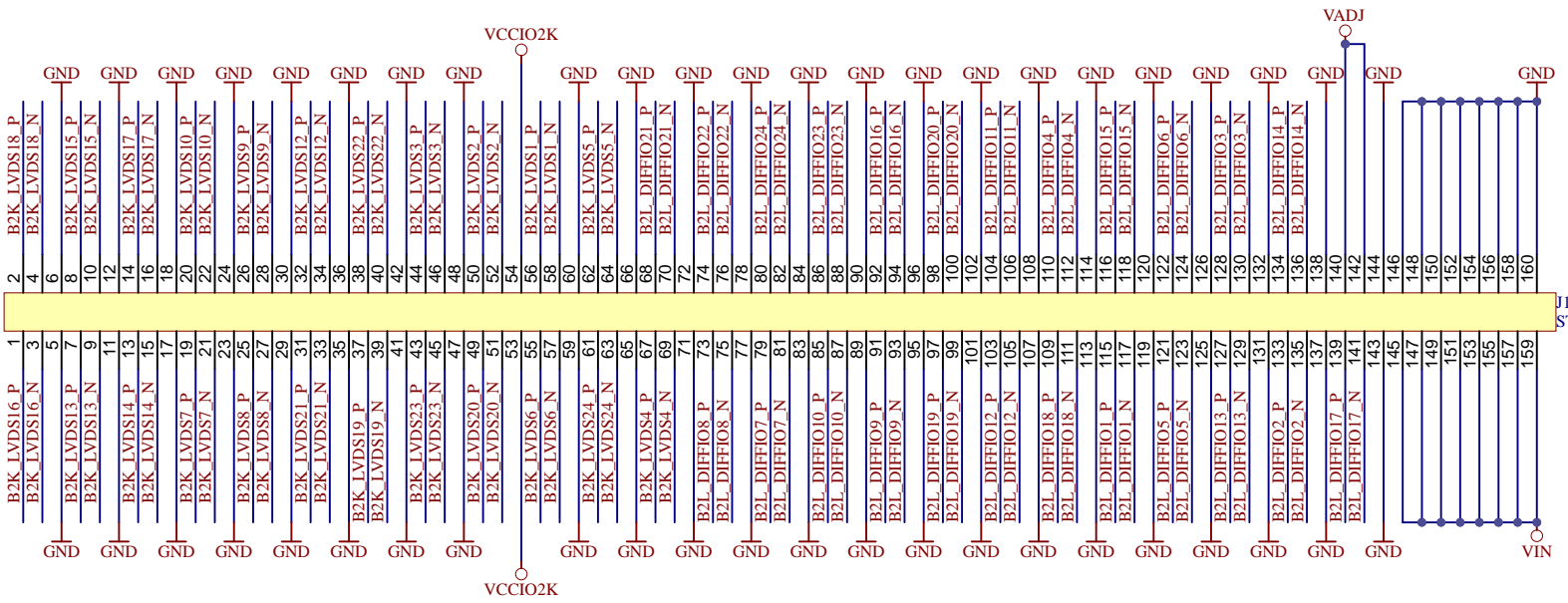
LOGO1
TE Logo PRINT Layer
LOGO PRINT

Assembly variant	API23A
Created by	VT
Modified by	
Modified at	2023-05-03
SVN Revision	17814

Serial
Serialnumber 6,3 x 6.3mm



Title: TEI0006		
A4	Number: TEI0006 API23A	Rev. 04
Date: 2022-11-24	Copyright: Trenz Electronic GmbH	Page 5 of 25
Filename: TEI0006.SchDoc		



J1
ST5-80-1.50-L-D-P-TR



Title: TEI0006		
A4	Number: TEI0006 API23A	Rev. 04
Date: 2022-11-24	Copyright: Trenz Electronic GmbH	Page6 of 25
Filename: J1.SchDoc		

1

2

3

4

A

A

B

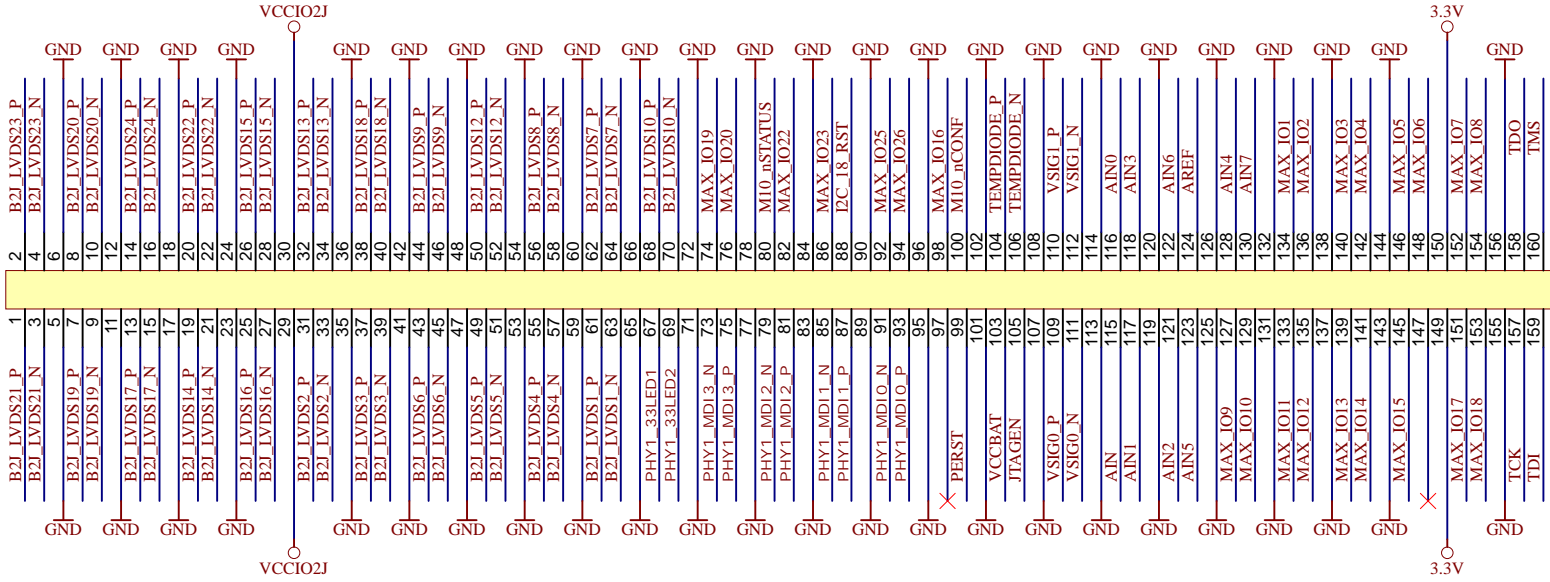
B

C

C

D

D



J2
ST5-80-1.50-L-D-P-TR



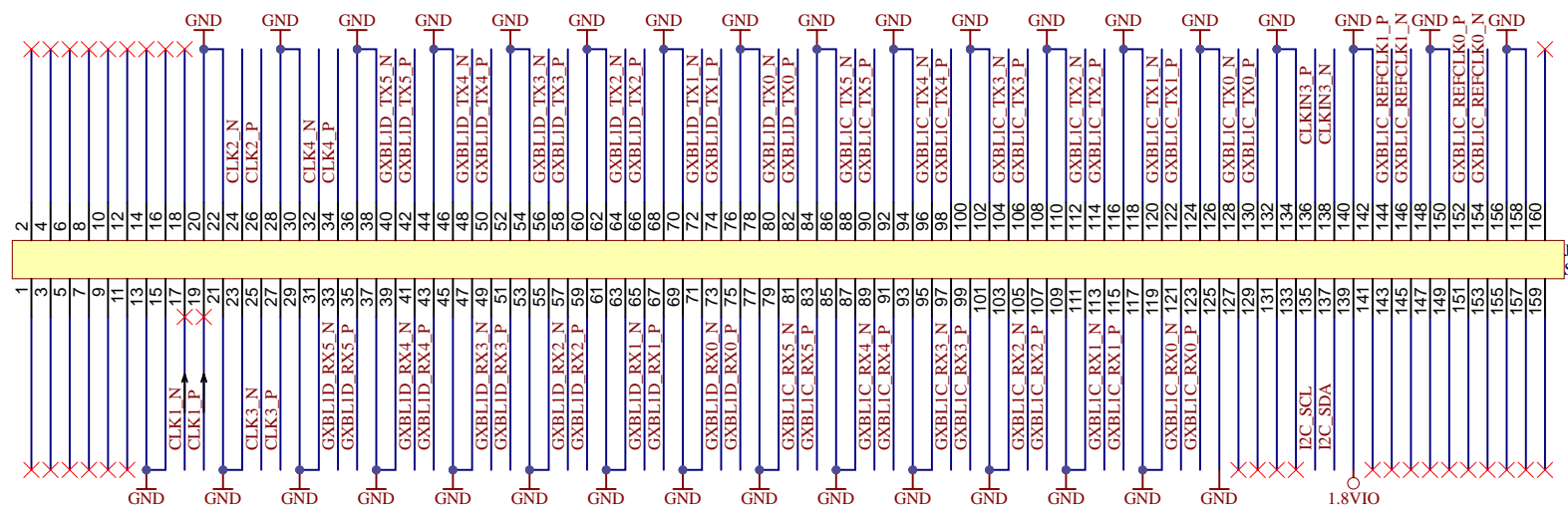
Title: TEI0006		
A4	Number: TEI0006 API23A	Rev. 04
Date: 2022-11-24	Copyright: Trenz Electronic GmbH	Page 7 of 25
Filename: J2.SchDoc		

1

2

3

4



J3
ST5-80-1.50-L-D-P-TR



Title: TEI0006		
A4	Number: TEI0006 API23A	Rev. 04
Date: 2022-11-24	Copyright: Trenz Electronic GmbH	Page 8 of 25
Filename: J3.SchDoc		

A

A

B

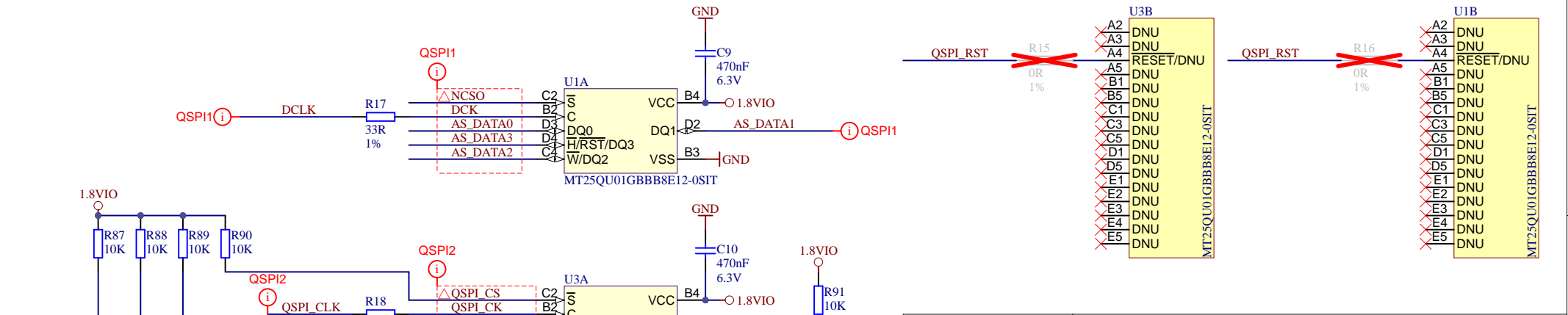
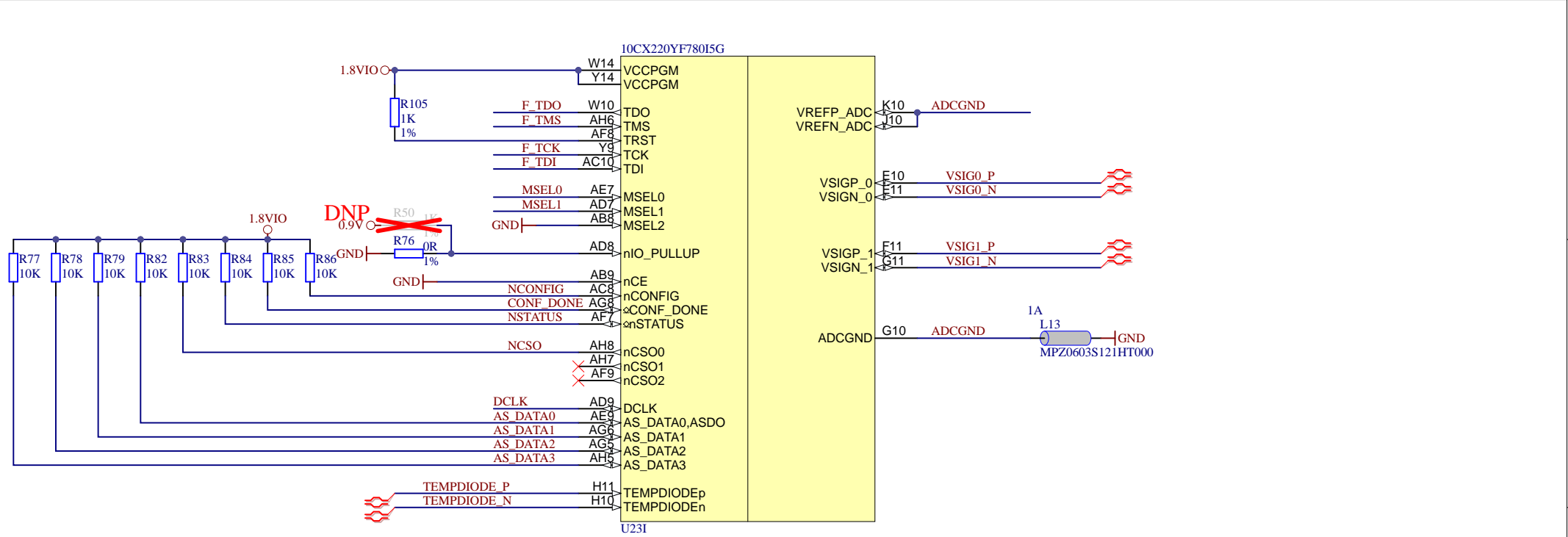
B

C

C

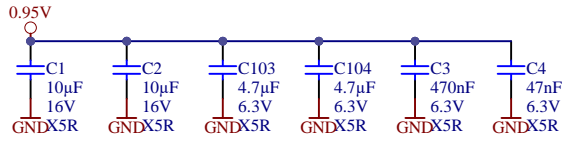
D

D

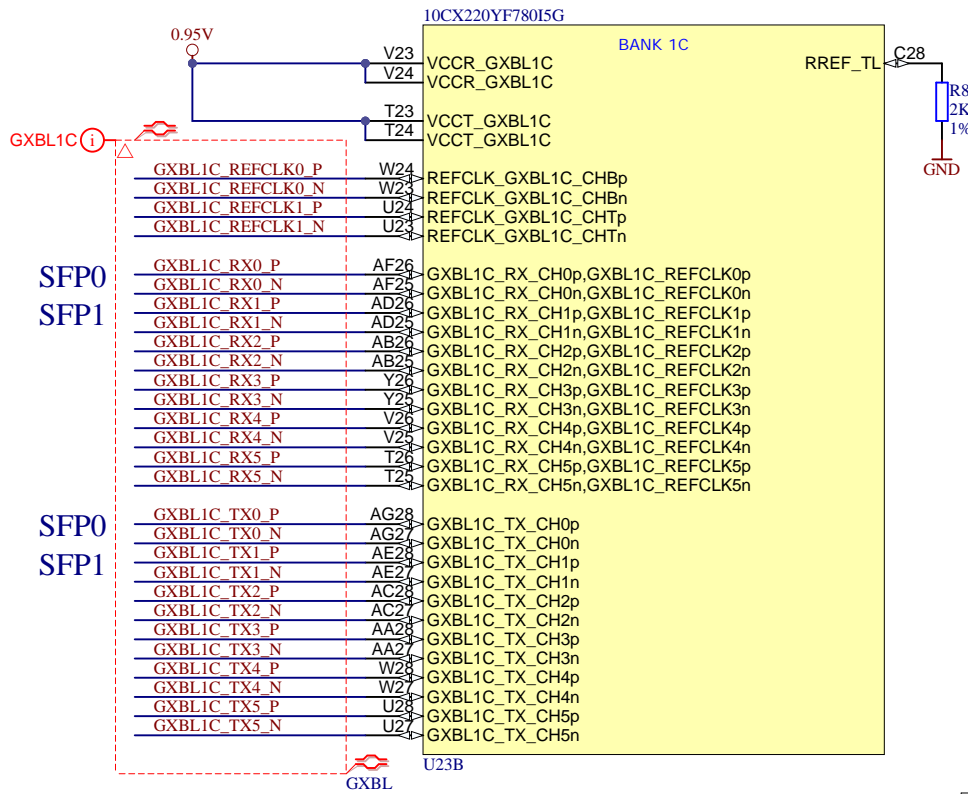
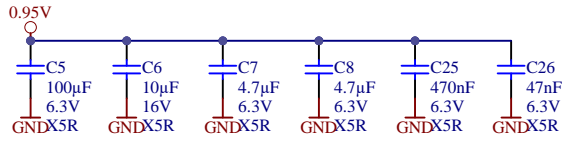



Title: TEI0006		
A4	Number: TEI0006 API23A	Rev. 04
Date: 2022-11-24	Copyright: Trenz Electronic GmbH	Page9 of 25
Filename: C10GX_CFG.SchDoc		

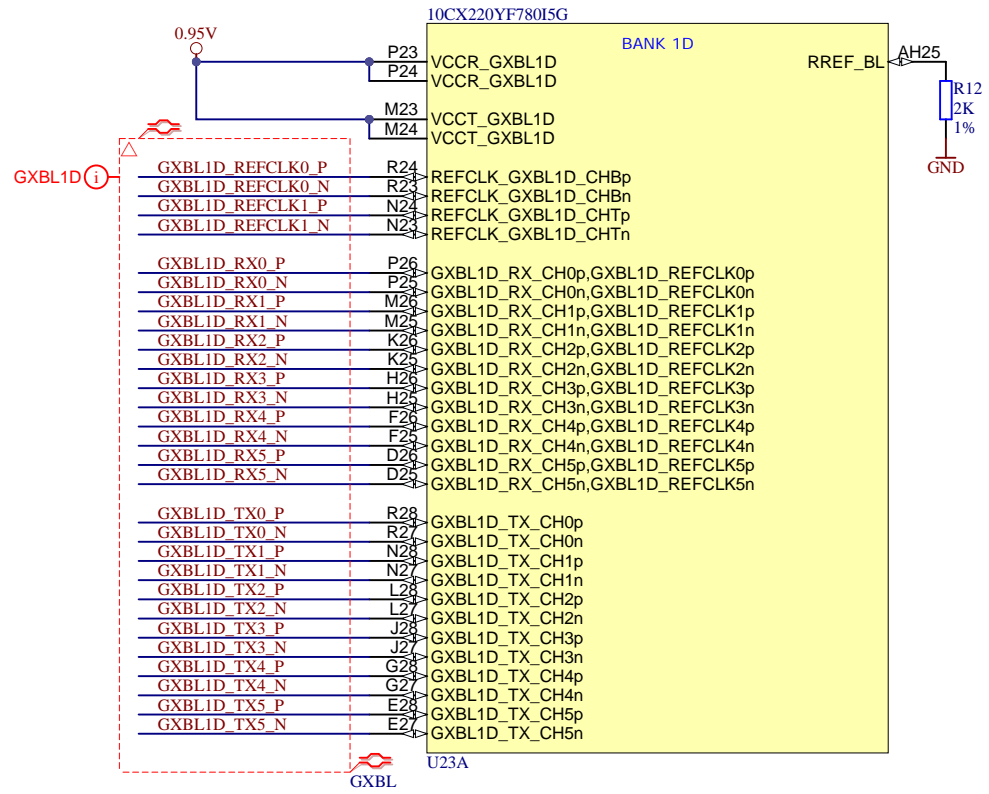

Placed at VCCT_GXB pins



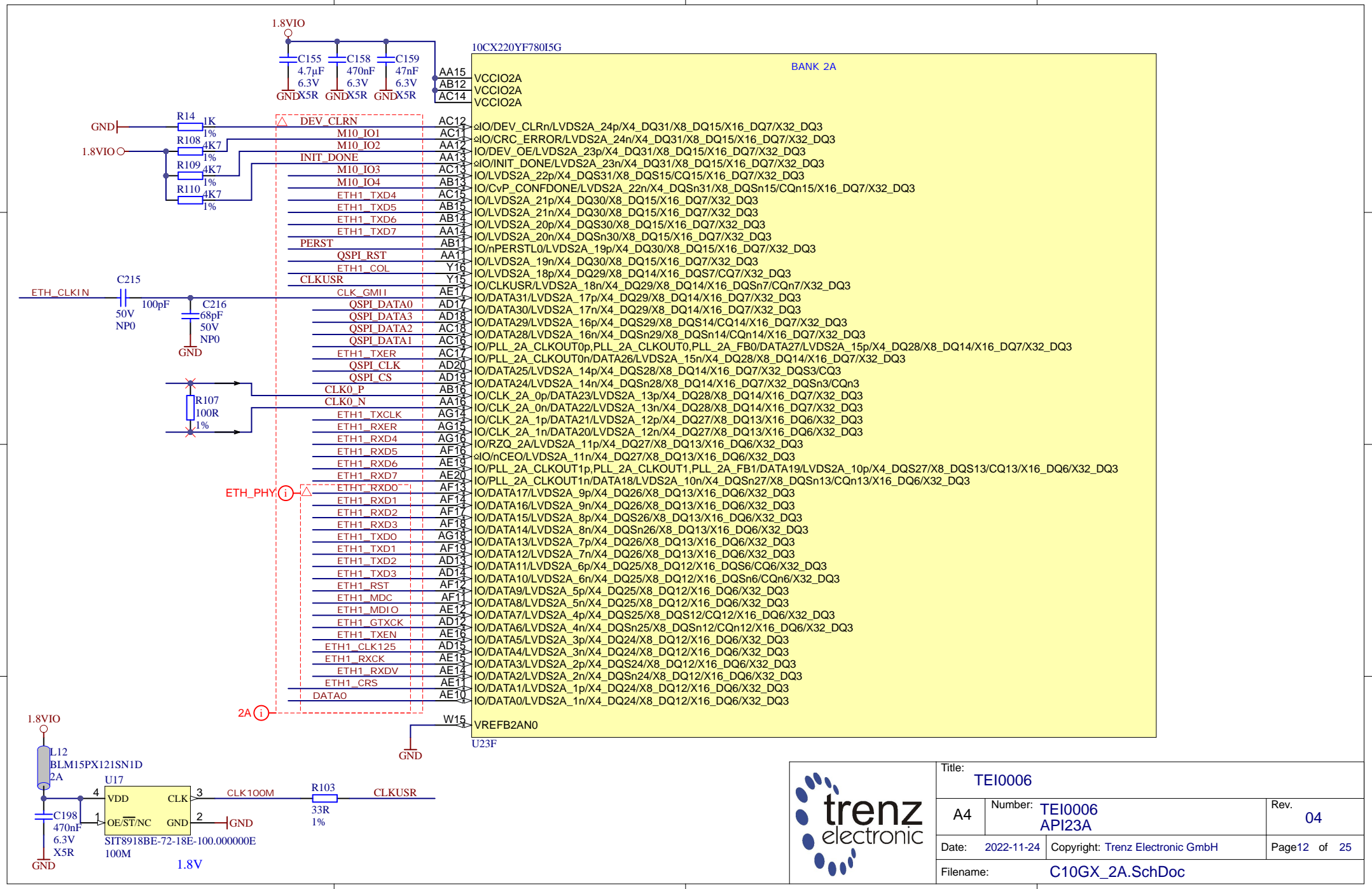
Placed at VCCR_GXB pins



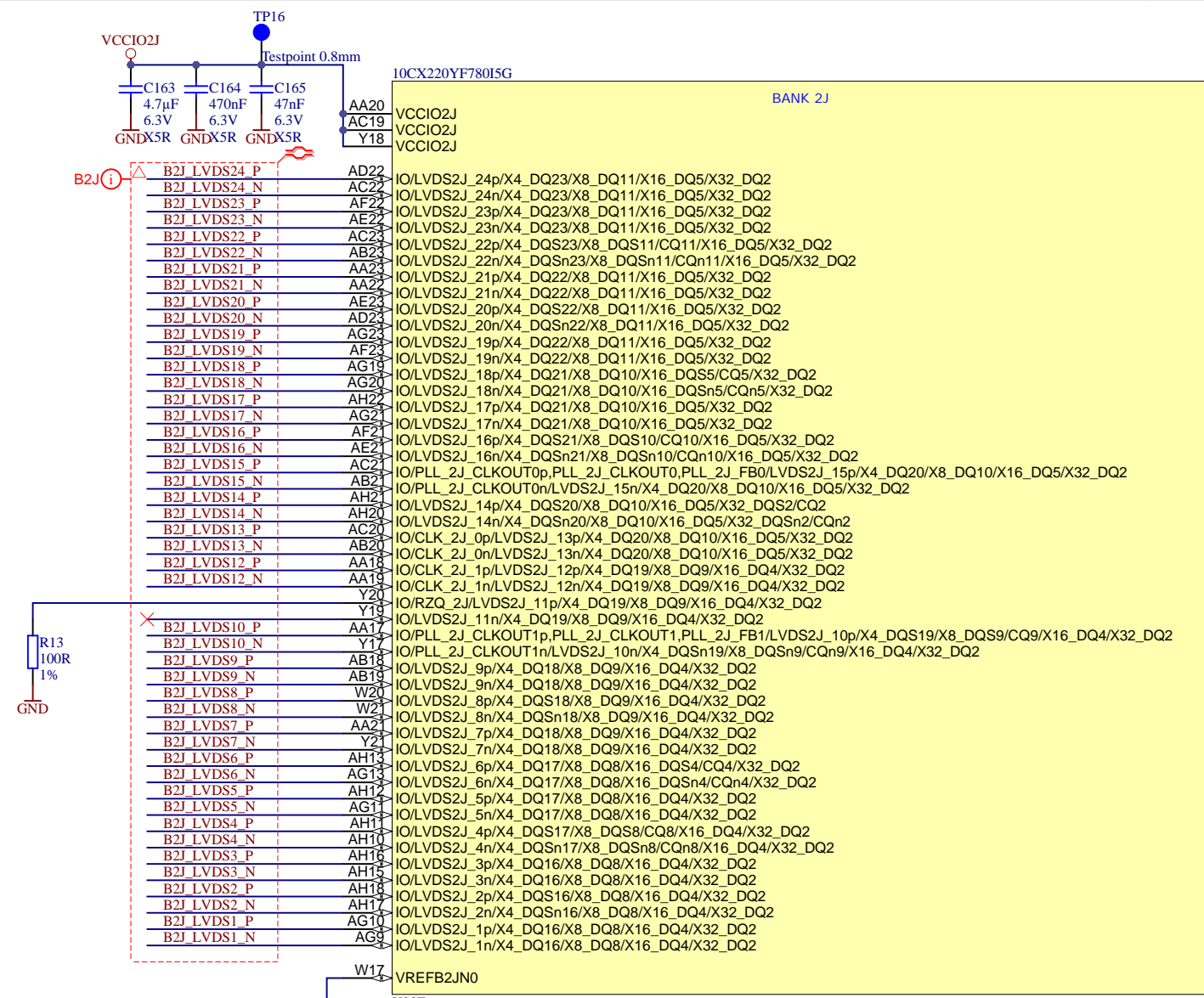
			Title: TEI0006	
			A4	Number: TEI0006 API23A
Date: 2022-11-24		Copyright: Trenz Electronic GmbH		Page10 of 25
Filename: C10GX_1C.SchDoc				

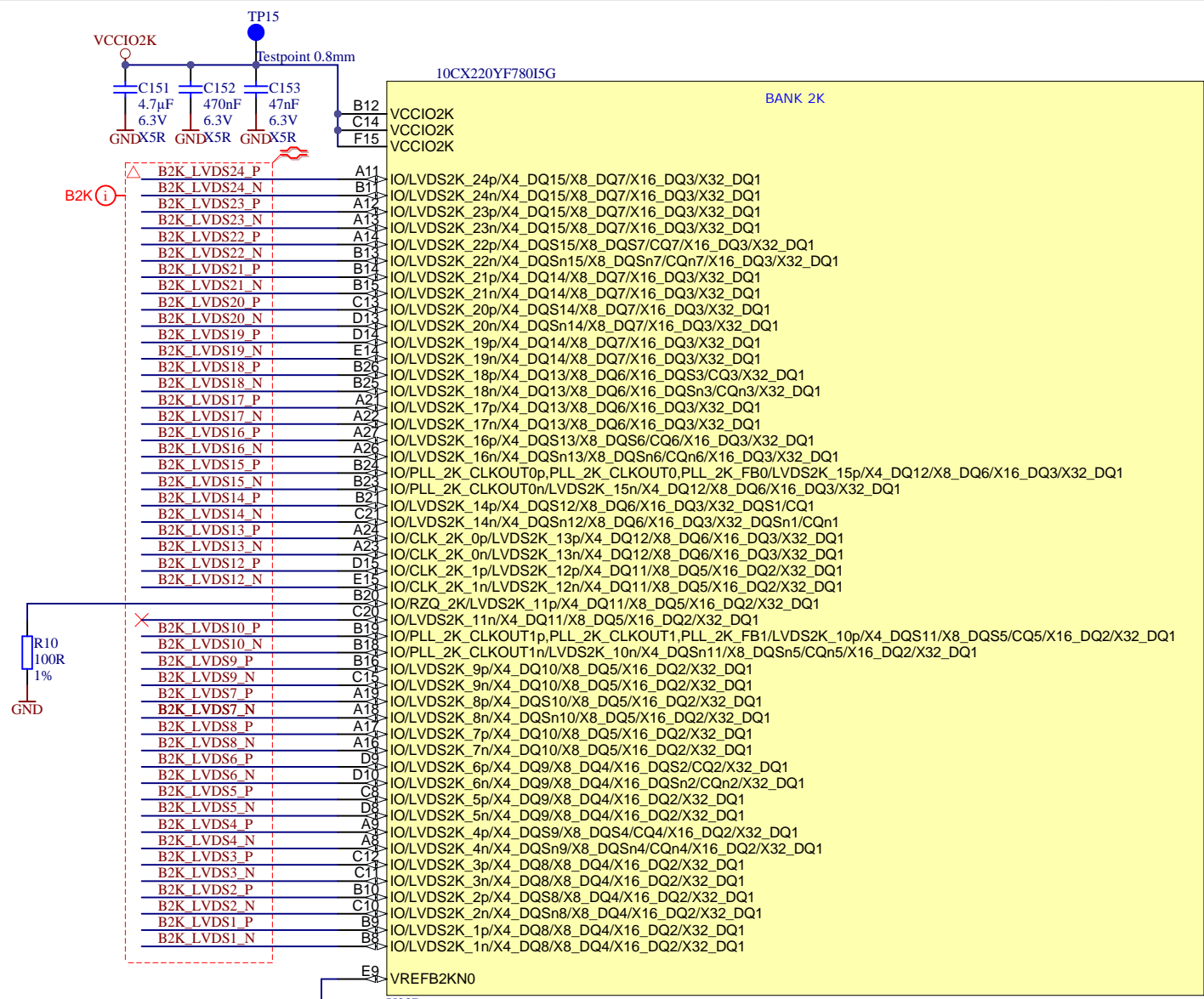
Title: TEI0006		
A4	Number: TEI0006 API23A	Rev. 04
Date: 2022-11-24	Copyright: Trenz Electronic GmbH	Page 11 of 25
Filename: C10GX_1D.SchDoc		



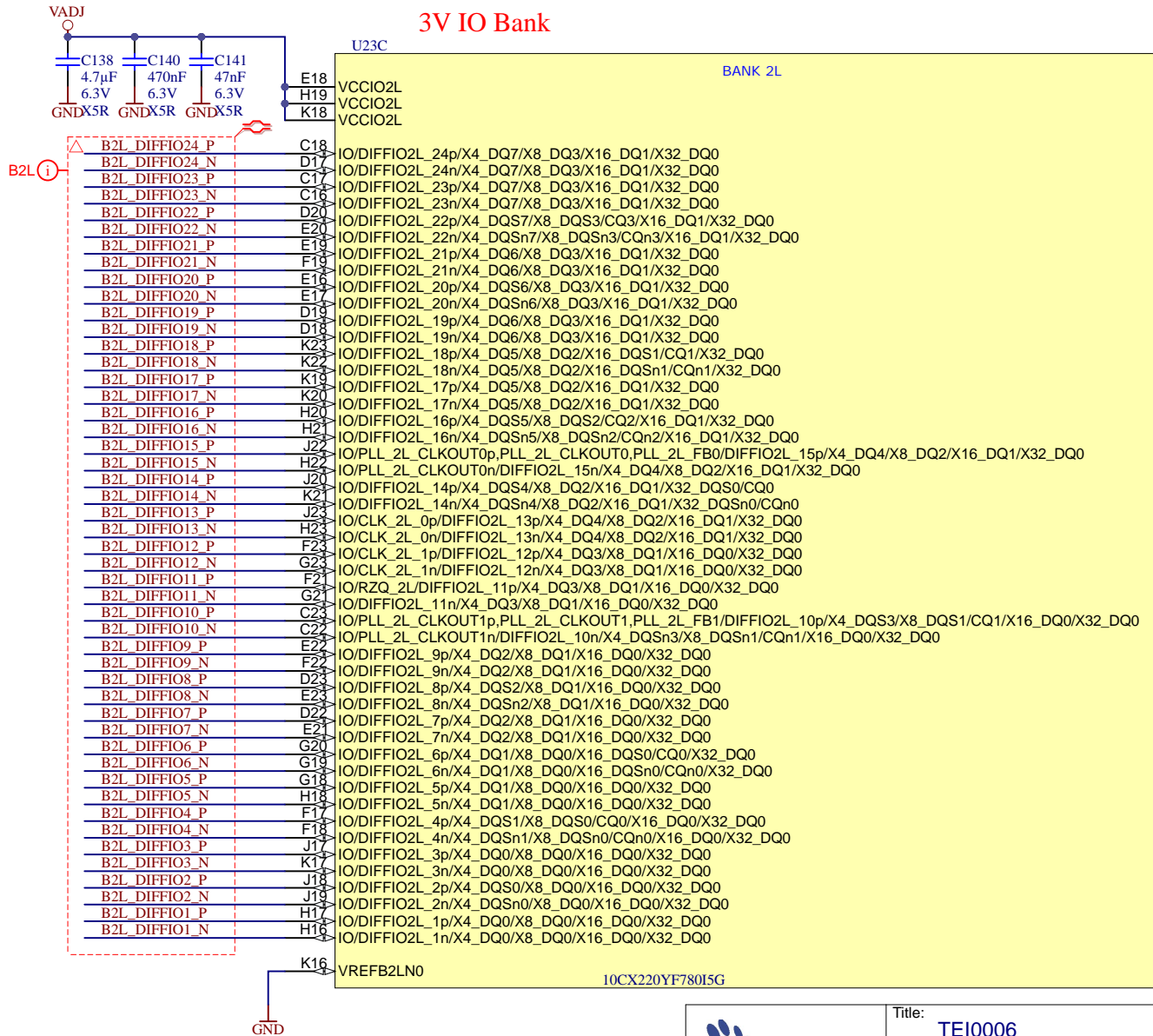
Title: TEI0006		
A4	Number: TEI0006 API23A	Rev. 04
Date: 2022-11-24	Copyright: Trenz Electronic GmbH	Page 12 of 25
Filename: C10GX_2A.SchDoc		



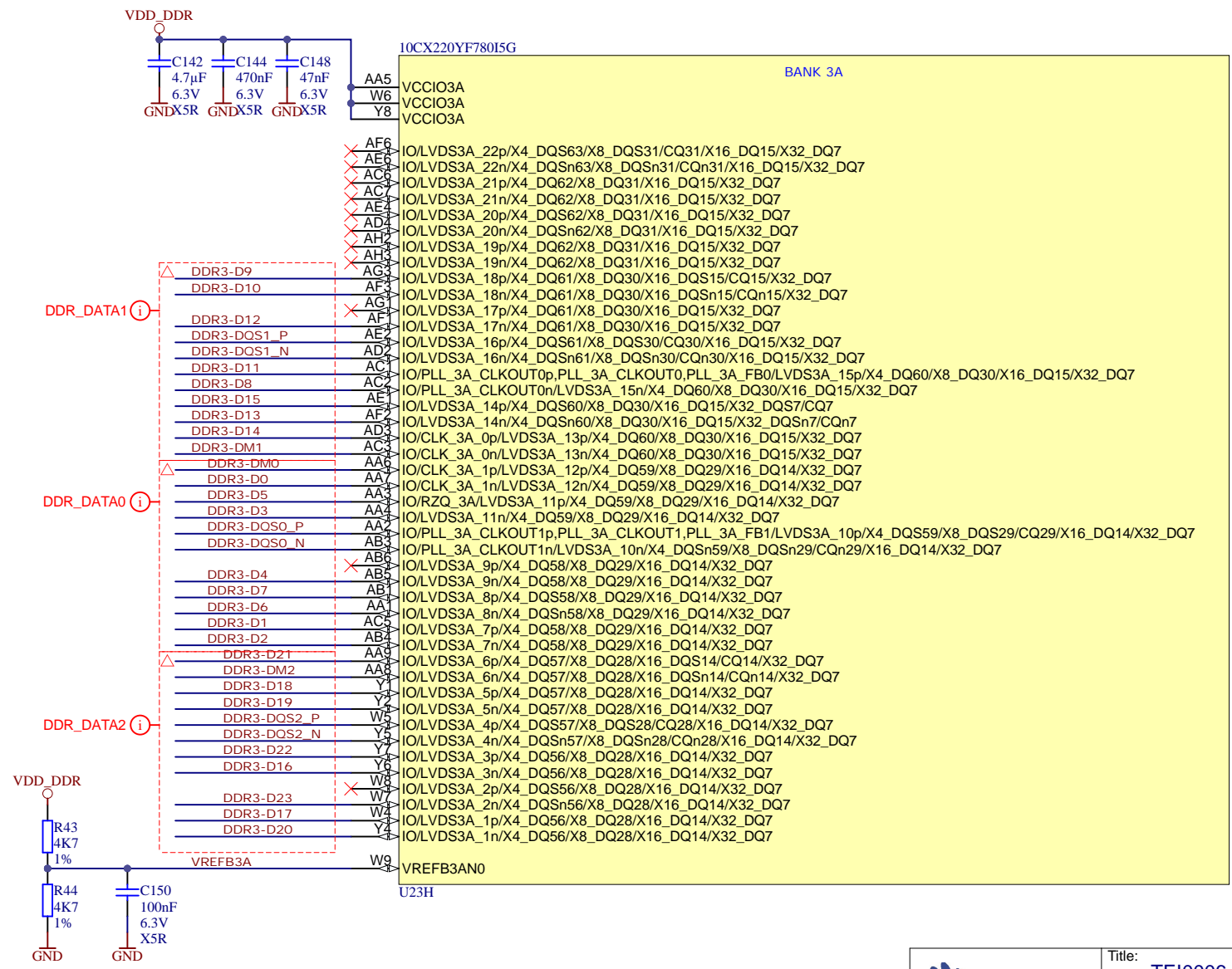
Title: TEI0006		
A4	Number: TEI0006 API23A	Rev. 04
Date: 2022-11-24	Copyright: Trenz Electronic GmbH	Page13 of 25
Filename: C10GX_2J.SchDoc		



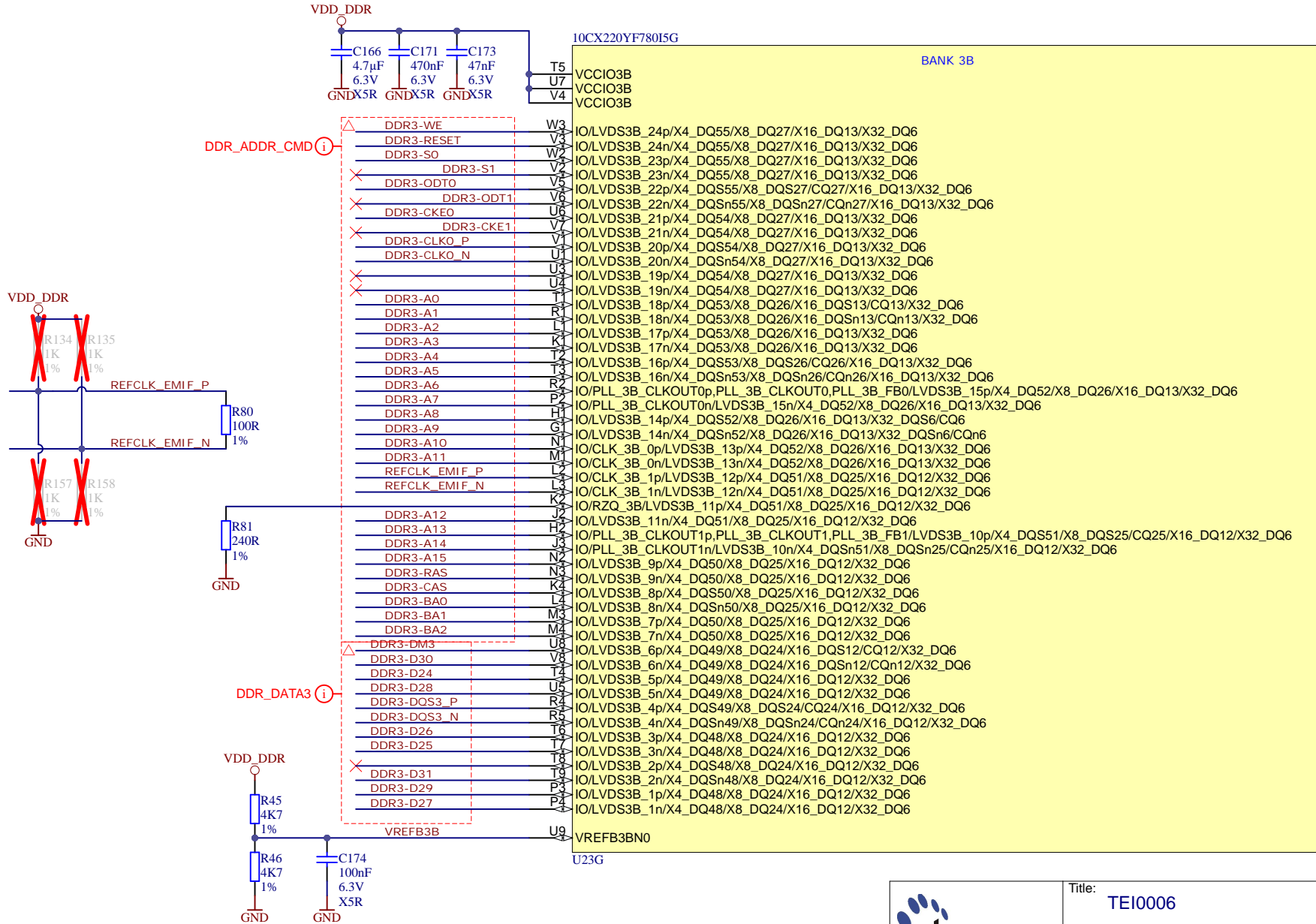
Title: TEI0006		
A4	Number: TEI0006 API23A	Rev. 04
Date: 2022-11-24	Copyright: Trenz Electronic GmbH	Page 14 of 25
Filename: C10GX_2K.SchDoc		



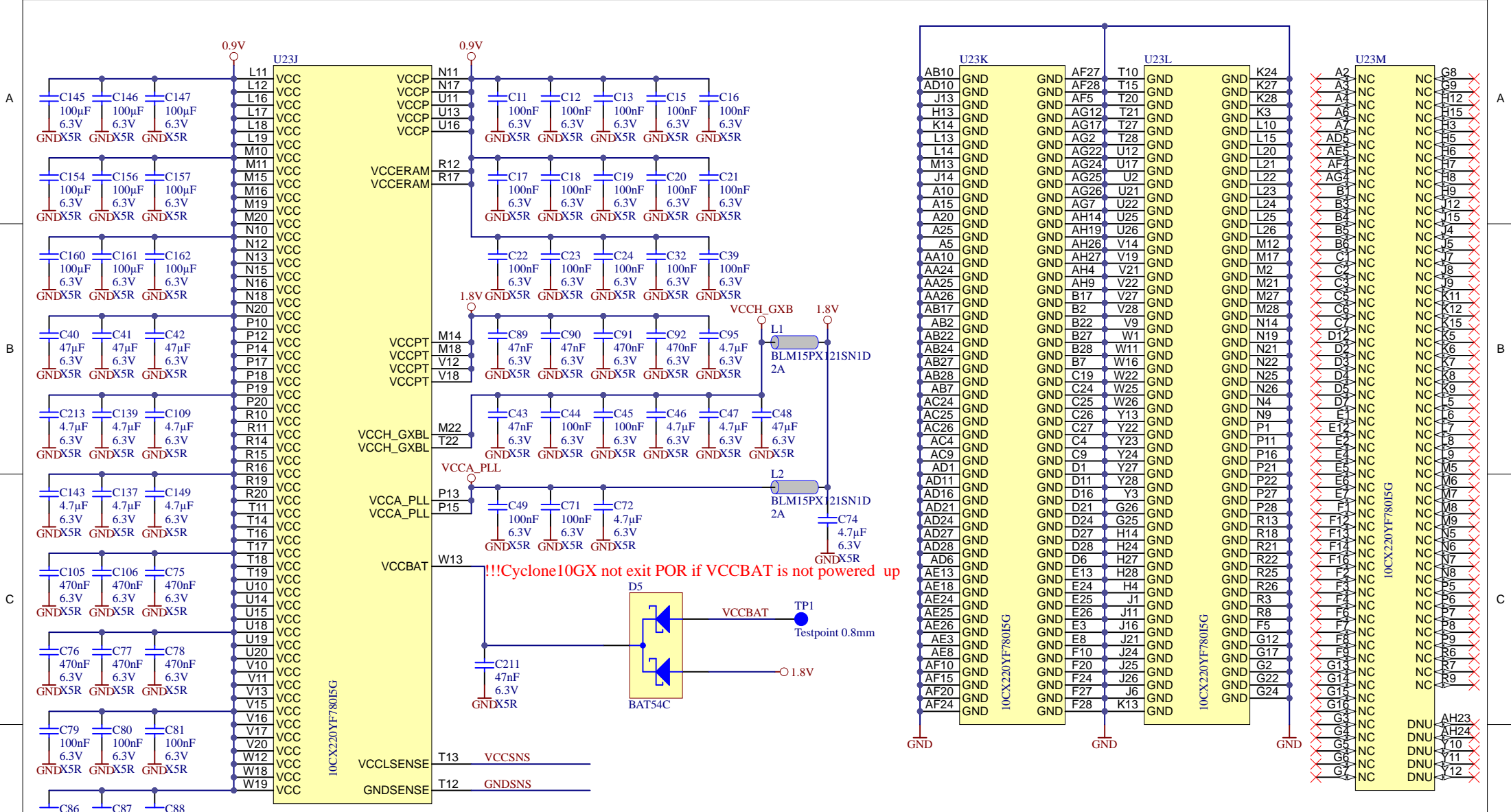
Title: TEI0006		
A4	Number: TEI0006 API23A	Rev. 04
Date: 2022-11-24	Copyright: Trenz Electronic GmbH	Page 15 of 25
Filename: C10GX_2L.SchDoc		



Title: TEI0006		
A4	Number: TEI0006 API23A	Rev. 04
Date: 2022-11-24	Copyright: Trenz Electronic GmbH	Page 16 of 25
Filename: C10GX_3A.SchDoc		



Title: TEI0006		
A4	Number: TEI0006 API23A	Rev. 04
Date: 2022-11-24	Copyright: Trenz Electronic GmbH	Page 17 of 25
Filename: C10GX_3B.SchDoc		



Title: TEI0006		Rev. 04	
A4	Number: TEI0006 API23A	Page 18 of 25	
Date: 2022-11-24	Copyright: Trenz Electronic GmbH	Page 18 of 25	
Filename: C10GX_PWR.SchDoc			



10CX220YF78015G

10CX220YF78015G

10CX220YF78015G

10CX220YF78015G

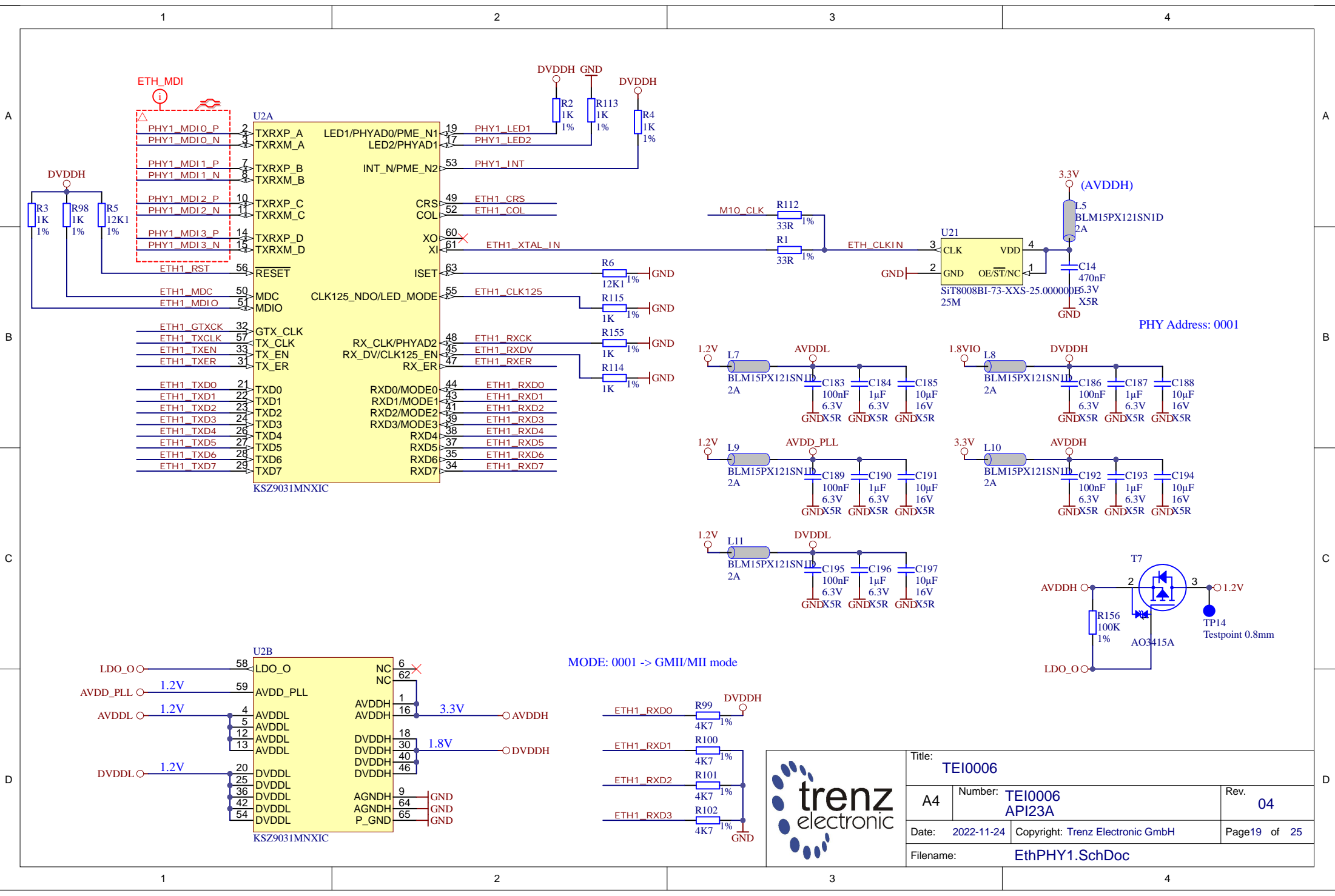
10CX220YF78015G

A

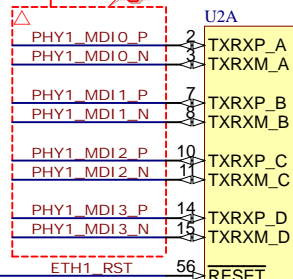
B

C

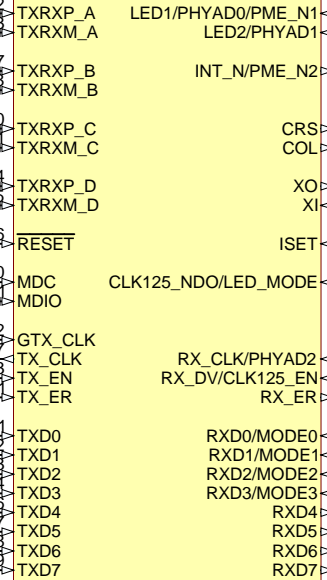
D



ETH_MDI

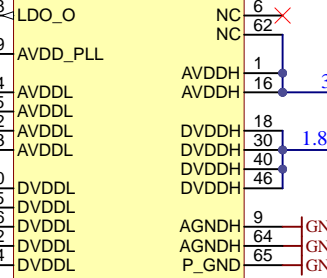
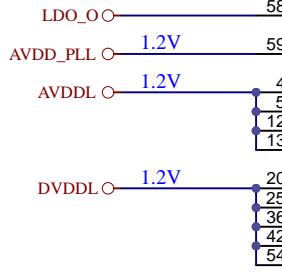


U2A



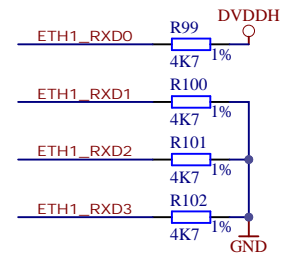
KSZ9031MNXIC

U2B



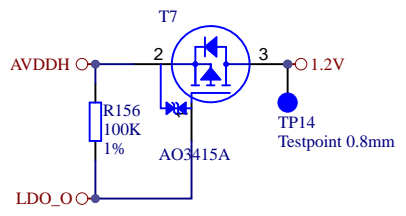
KSZ9031MNXIC

MODE: 0001 -> GMII/MII mode



Title: TEI0006		
A4	Number: TEI0006 API23A	Rev. 04
Date: 2022-11-24	Copyright: Trenz Electronic GmbH	Page 19 of 25
Filename: EthPHY1_SchDoc		

PHY Address: 0001



A

B

C

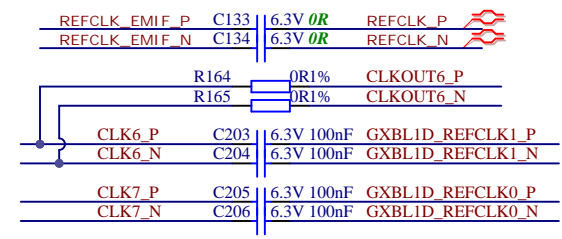
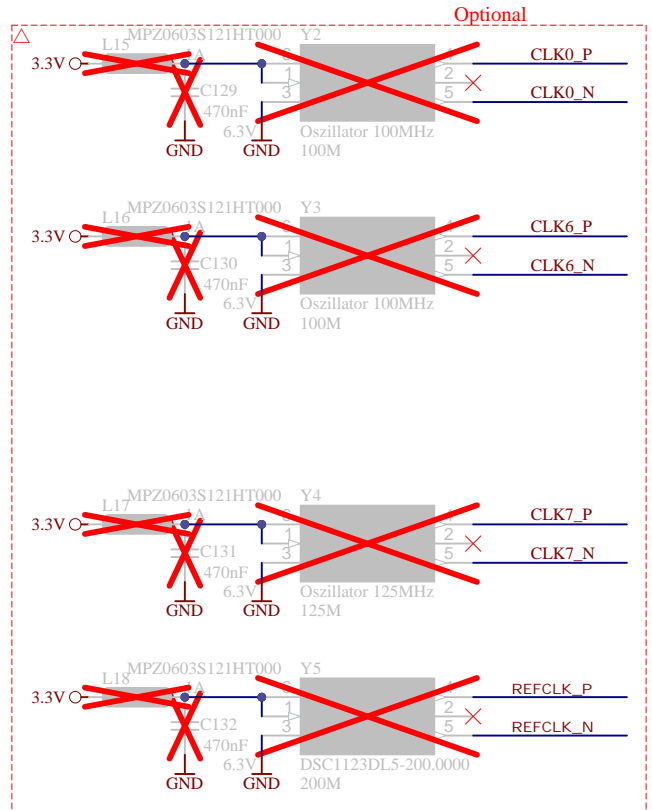
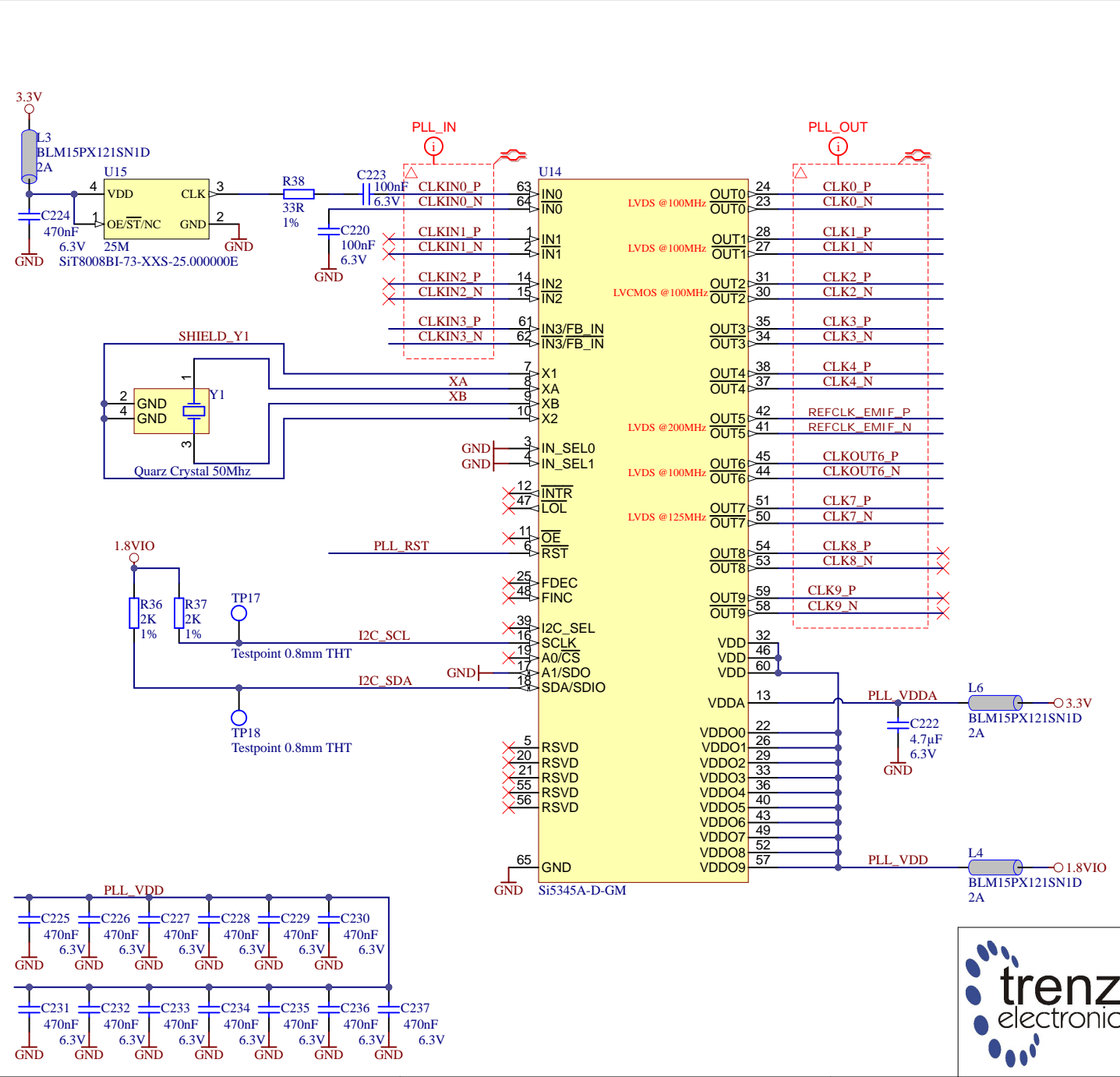
D

A

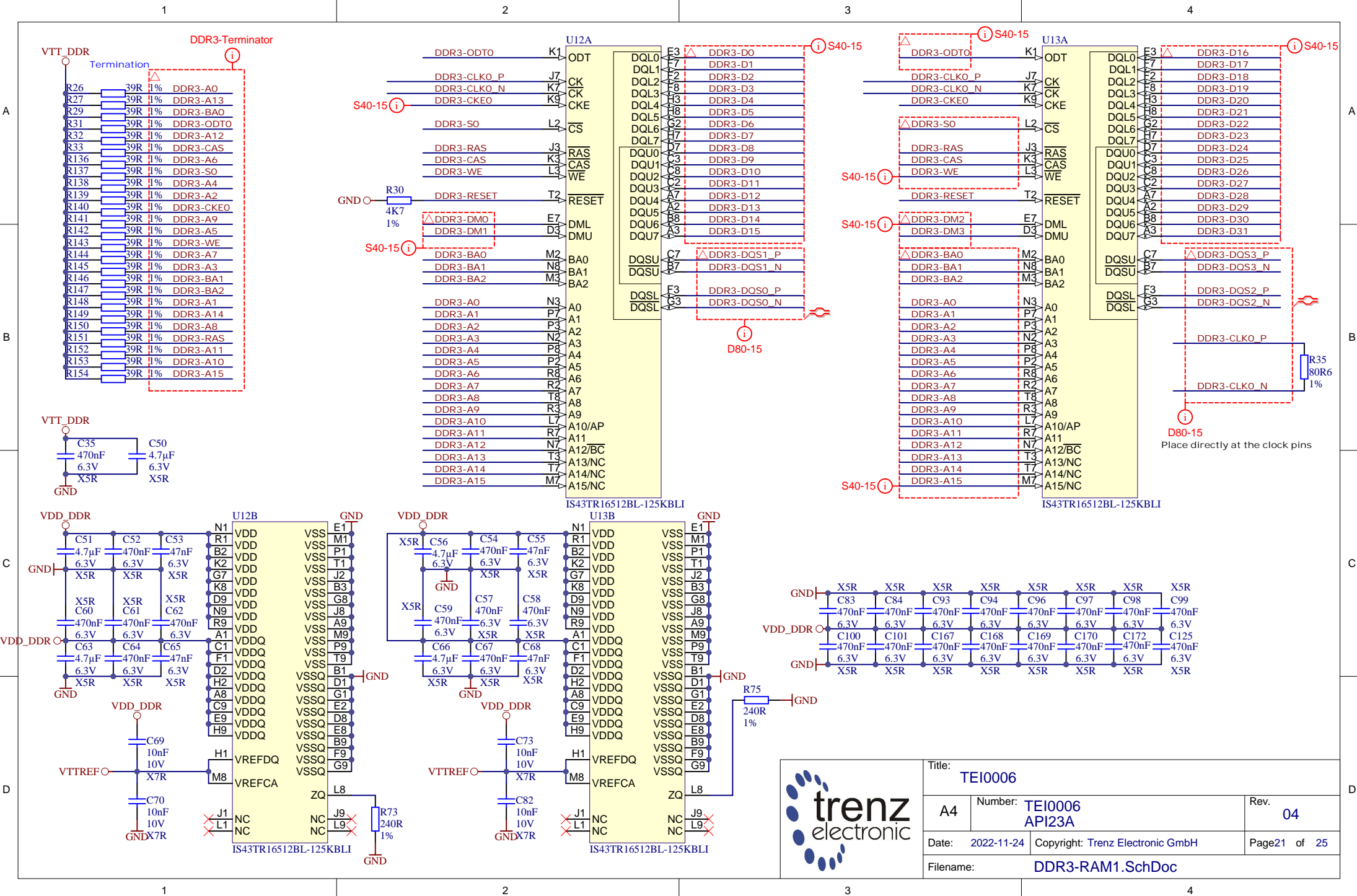
B

C

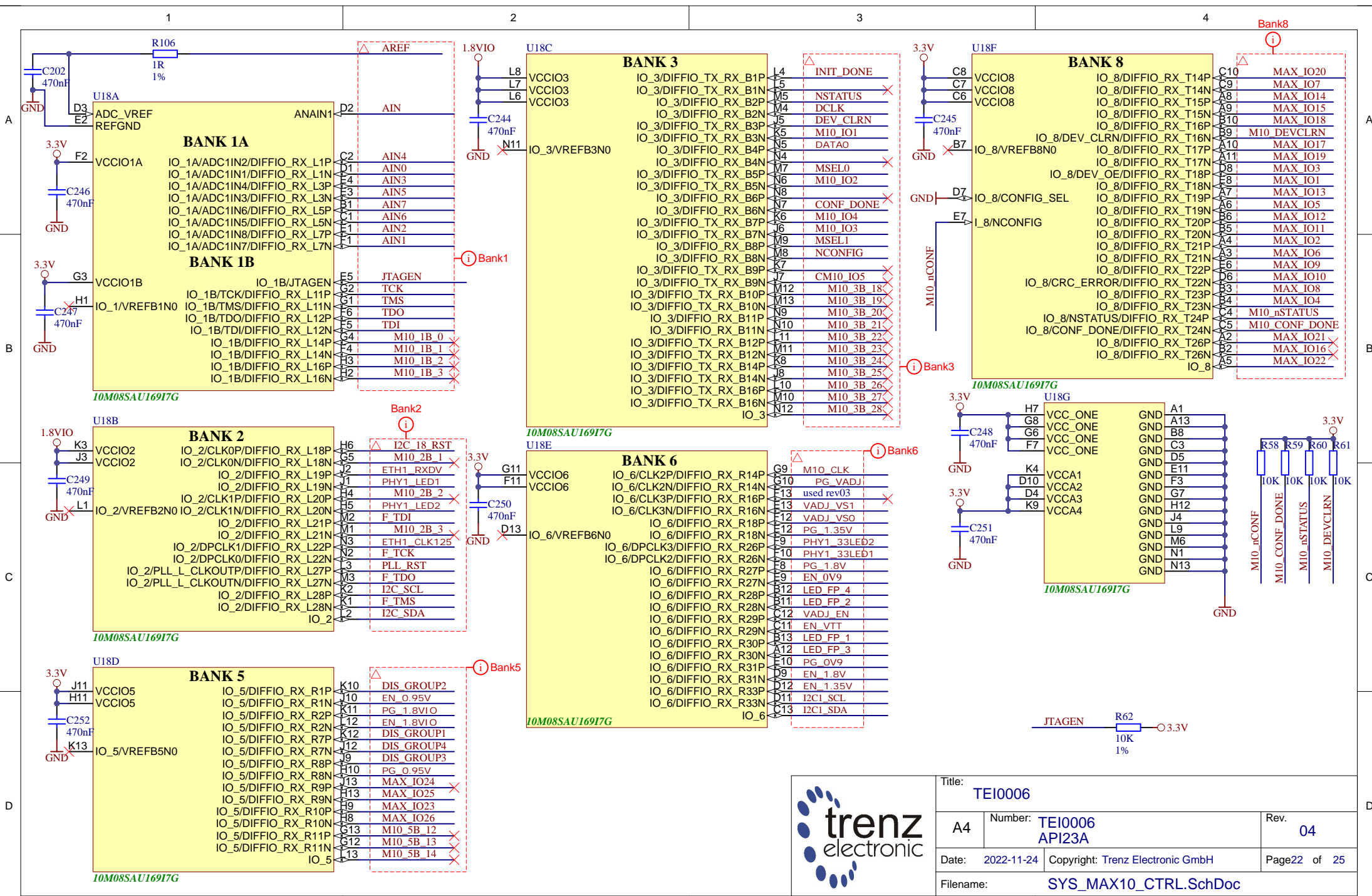
D



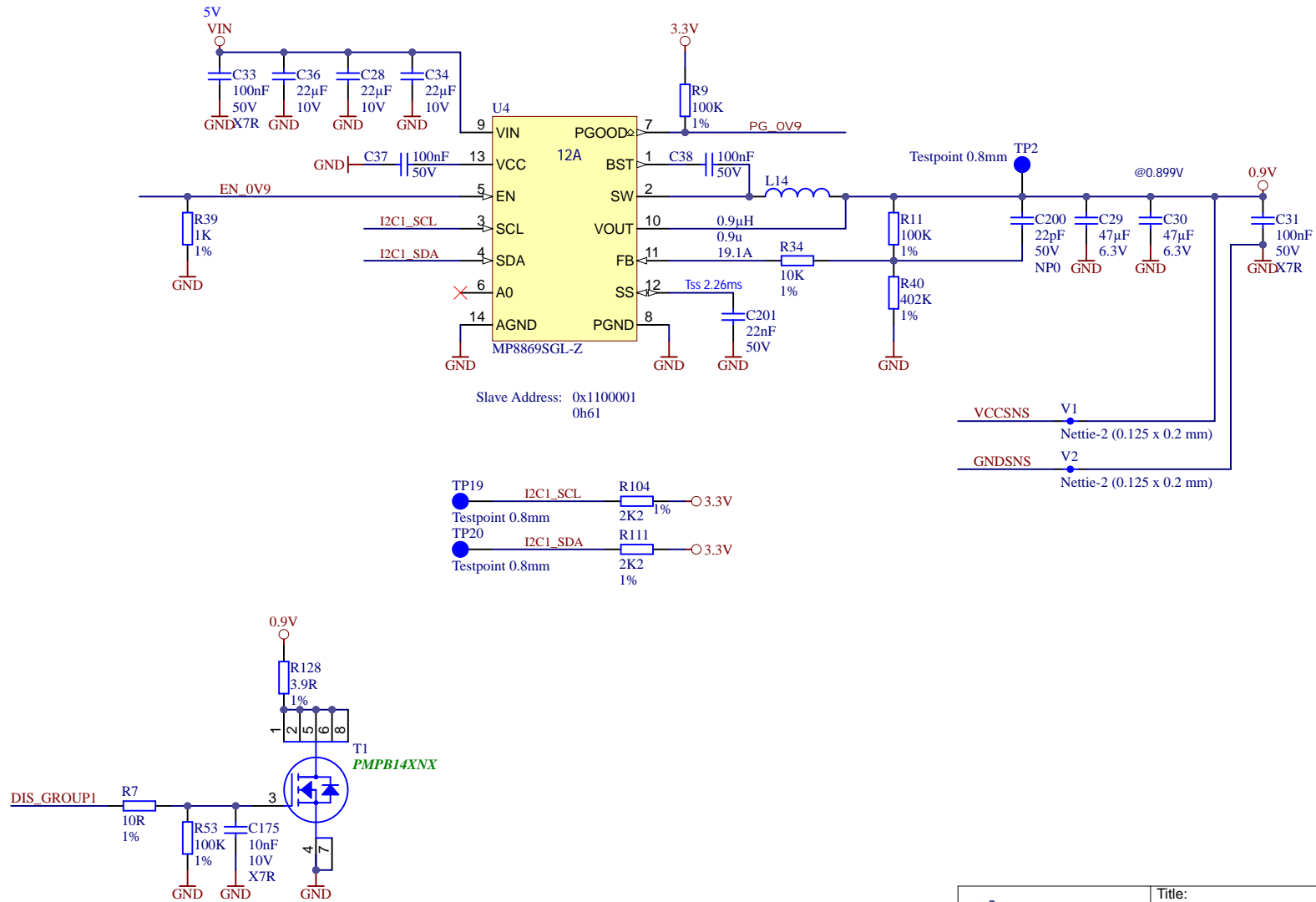
Title: TEI0006		
A4	Number: TEI0006 API23A	Rev. 04
Date: 2022-11-24	Copyright: Trenz Electronic GmbH	Page 20 of 25
Filename: Clock.SchDoc		




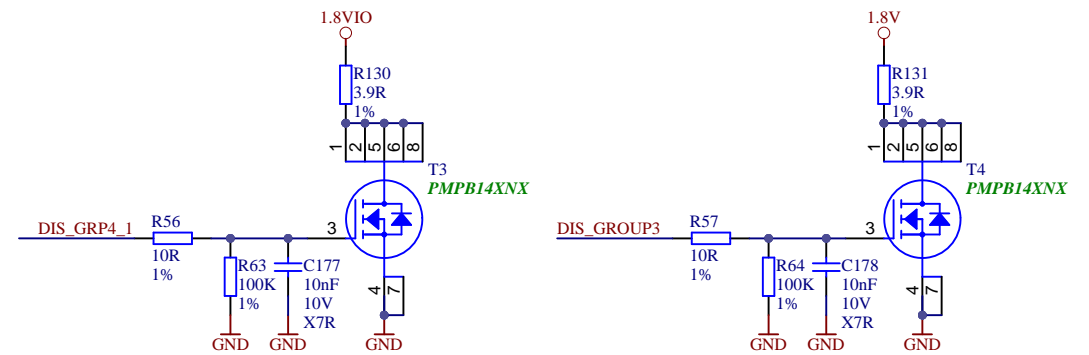
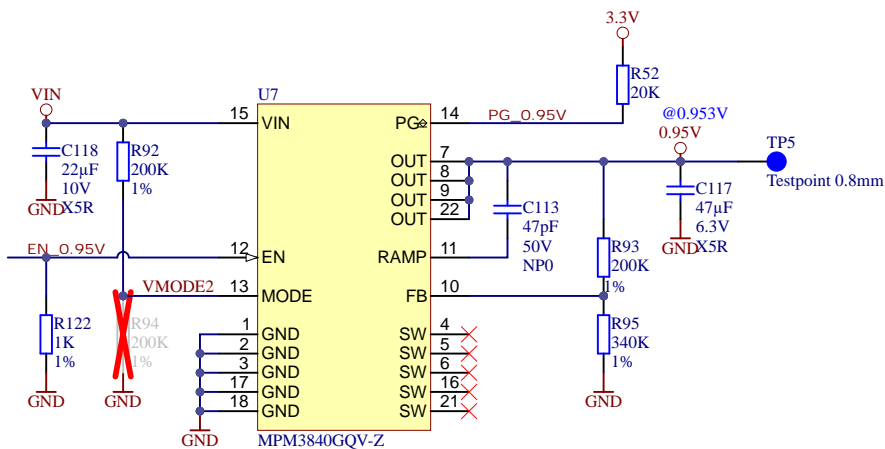
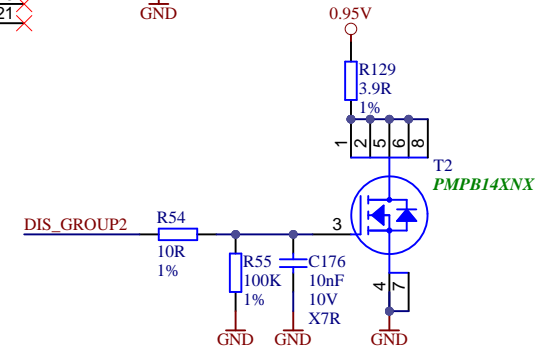
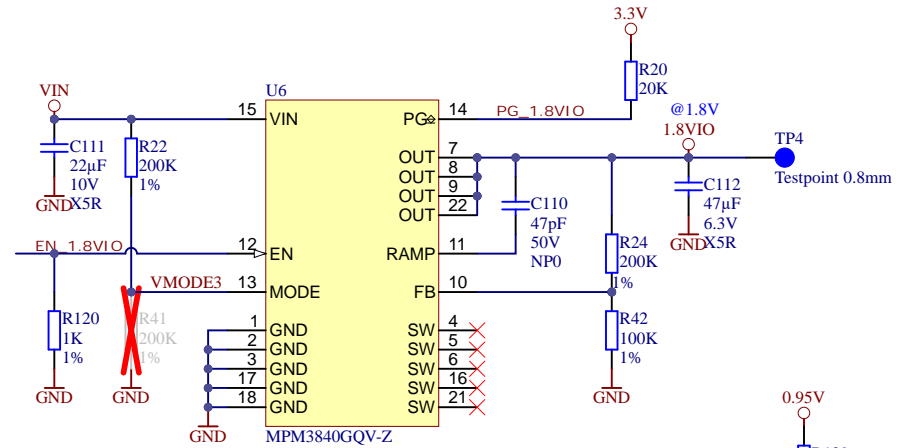
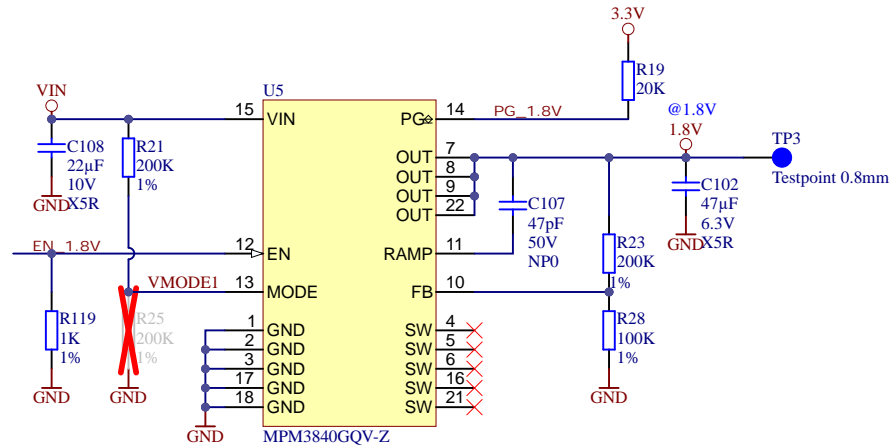
Title: TEI0006		
A4	Number: TEI0006 API23A	Rev. 04
Date: 2022-11-24	Copyright: Trenz Electronic GmbH	Page 21 of 25
Filename: DDR3-RAM1.SchDoc		



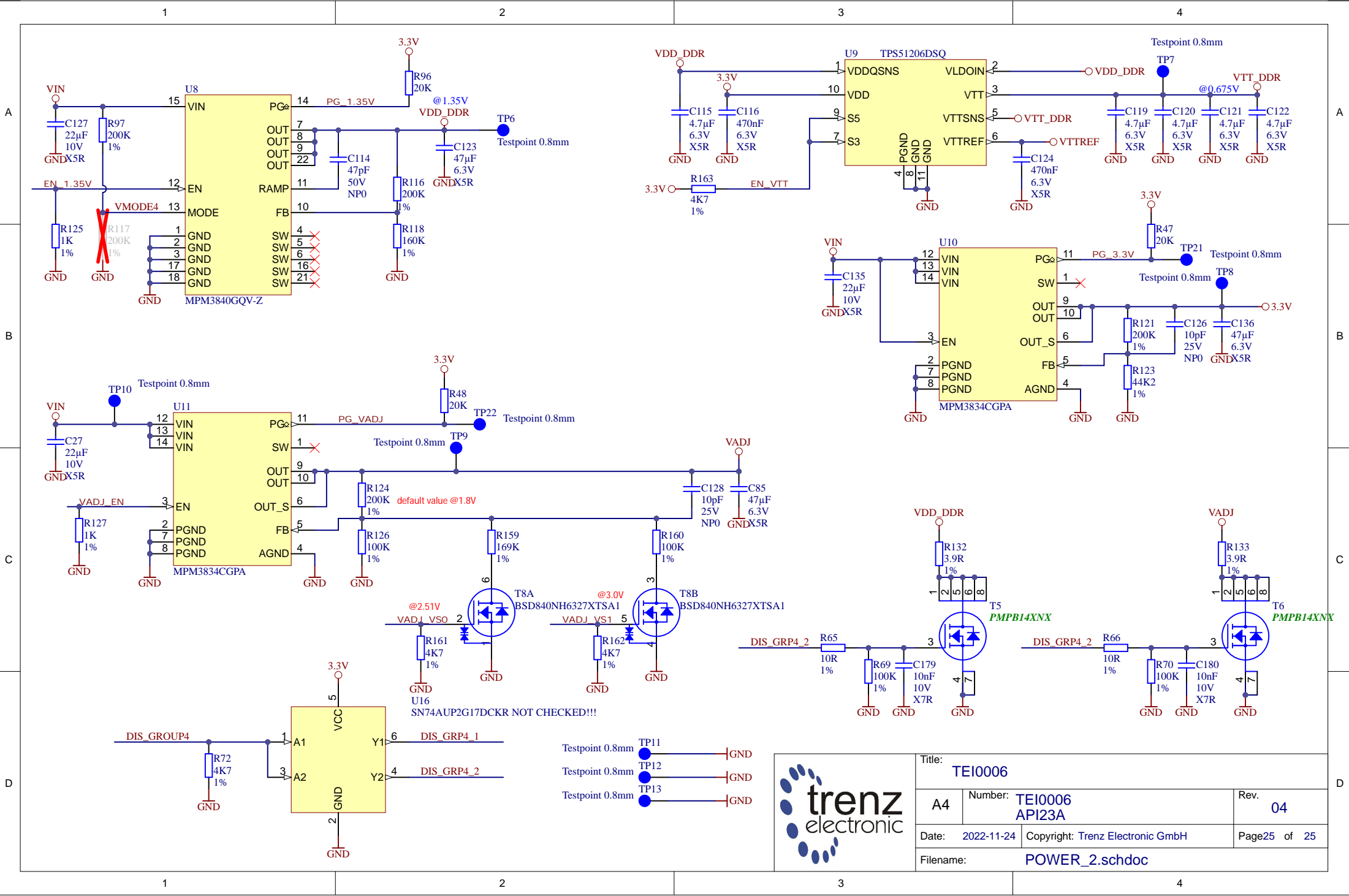
Title:		TEI0006	
A4	Number:	TEI0006 API23A	Rev. 04
Date:	2022-11-24	Copyright:	Trenz Electronic GmbH
Page	22	of	25
Filename:		SYS_MAX10_CTRL.SchDoc	



		Title: TEI0006	
		A4	Number: TEI0006 API23A
Date: 2022-11-24		Copyright: Trenz Electronic GmbH	
Filename: PWR_CORE.SchDoc		Page23 of 25	



	Title: TEI0006	
	A4	Number: TEI0006 API23A
	Date: 2022-11-24	Copyright: Trenz Electronic GmbH
	Rev. 04	Page 24 of 25
Filename: POWER_1.schdoc		



Title: TEI0006		
A4	Number: TEI0006 API23A	Rev. 04
Date: 2022-11-24	Copyright: Trenz Electronic GmbH	Page 25 of 25
Filename: POWER_2.schdoc		