

Company	Trenz Electronic GmbH
PCN Number	PCN-20240909
Title	TE0865-02 CPLD Firmware Update / TEBT0865-01 Hardware Patch
Subject	TE0865-02 CPLD Firmware Update / TEBT0865-01 Hardware Patch
Issue Date	2024-09-17

1 Products Affected

Following boards are affected:

- Module TE0865-02 with CPLD firmware revision REV03
- Carrier board TEBT0865-01 with a serial number greater than 860651

Refer to [TE0865 CPLD Firmware](#)¹ for TE0865-02 CPLD firmware identification and update.

2 Changes

2.1 #1 CPLD firmware update for TE0865-02 and hardware modification for carrier board TEBT0865-01.

Type: Firmware Update (TE0865-02) and Hardware Modification (TEBT0865-01)

Reason: Firmware improvement.

Impact: Updated module firmware leads to a TE0865-02 power-up deadlock on unpatched baseboards TEBT0865-01 as it is visible in the [Compatibility Overview](#) (see page 2) below. To solve this issue, [Hardware Patch](#) (see page 2) is applied to TEBT0865-01 with a serial number greater than 860651. If baseboard with lower serial numbers shall support TE0865-02 modules with new firmware, hardware patch needs to be applied. Otherwise, TE0865-02 modules with new firmware will not power up.

¹ <https://wiki.trenz-electronic.de/display/PD/TE0865+CPLD+Firmware>

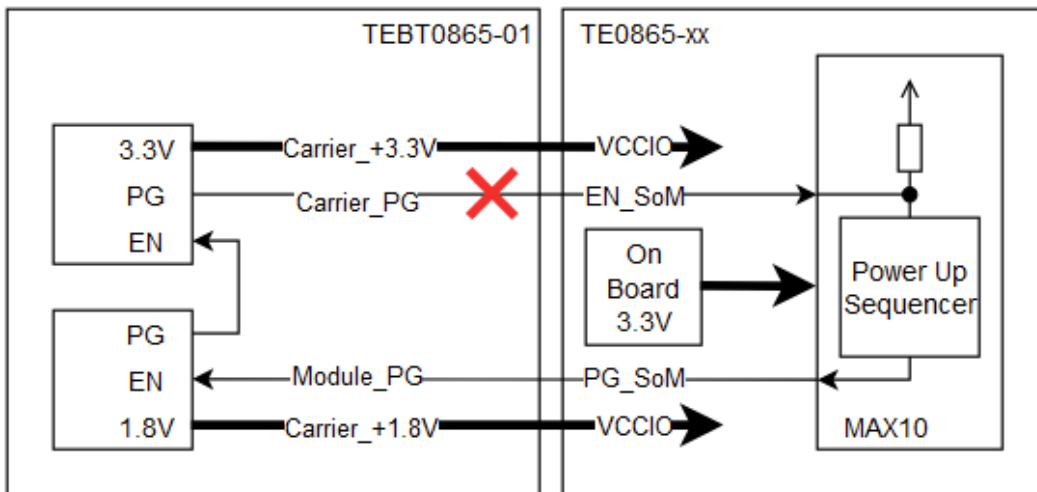
3 Compatibility Overview

Compatibility Overview	TE0865-02 Firmware Revision	
TEBT0865-01 Serial Number	< REV03	REV03
< 860651	Working	NOT WORKING
> 860651	Working	Working

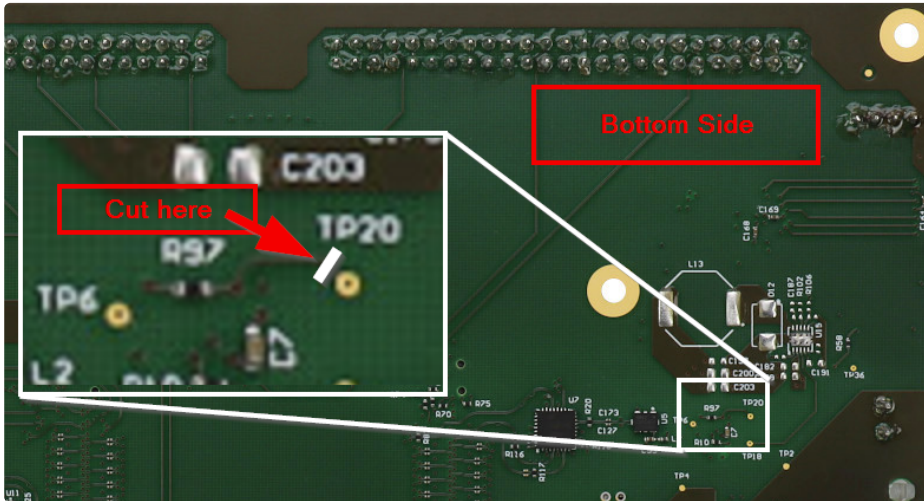
4 Hardware Patch

Module firmware update leads to a power up deadlock. To fix this issue it is necessary to cut the wire on bottom side between resistor R97 and testpoint TP20 as visible in the following figures.

General:



TEBT0865-01 Bottom Side:



5 Method of Identification

TE0865-02	TEBT0865-01
 The image shows the TE0865-02 PCB, which is a green printed circuit board. It features a large white integrated circuit (IC) in the center with 'ONANZ' and '20180104' printed on it. There are several gold-plated pins around the perimeter of the board.	 The image shows the TEBT0865-01 PCB, which is a green printed circuit board. It features a large square cutout in the center. There are several gold-plated pins around the perimeter of the board.

6 Production Shipment Schedule

This change takes place with immediate effect. If the new revision is not suitable for your application and still the former revision of the board is needed, please contact us.

7 Contact Information

If you have any questions related to this PCN, please contact Trenz Electronics Technical Support at

- forum.trenz-electronic.de²
- wiki.trenz-electronic.de³
- support@trenz-electronic.de⁴ (subject = PCN-20240909)
- phone
 - national calls: 05741 3200-0
 - international calls: 0049 5741 3200-0

8 Disclaimer

Any projected dates in this PCN are based on the most current product information at the time this PCN is being issued, but they may change due to unforeseen circumstances. For the latest schedule and any other information, please contact your local Trenz Electronic sales office, technical support or local distributor.

This PCN follows JEDEC Standard J-STD-046.

² <http://forum.trenz-electronic.de/>

³ <http://wiki.trenz-electronic.de/>

⁴ <mailto:support@trenz-electronic.de?subject=PCN-20240909>